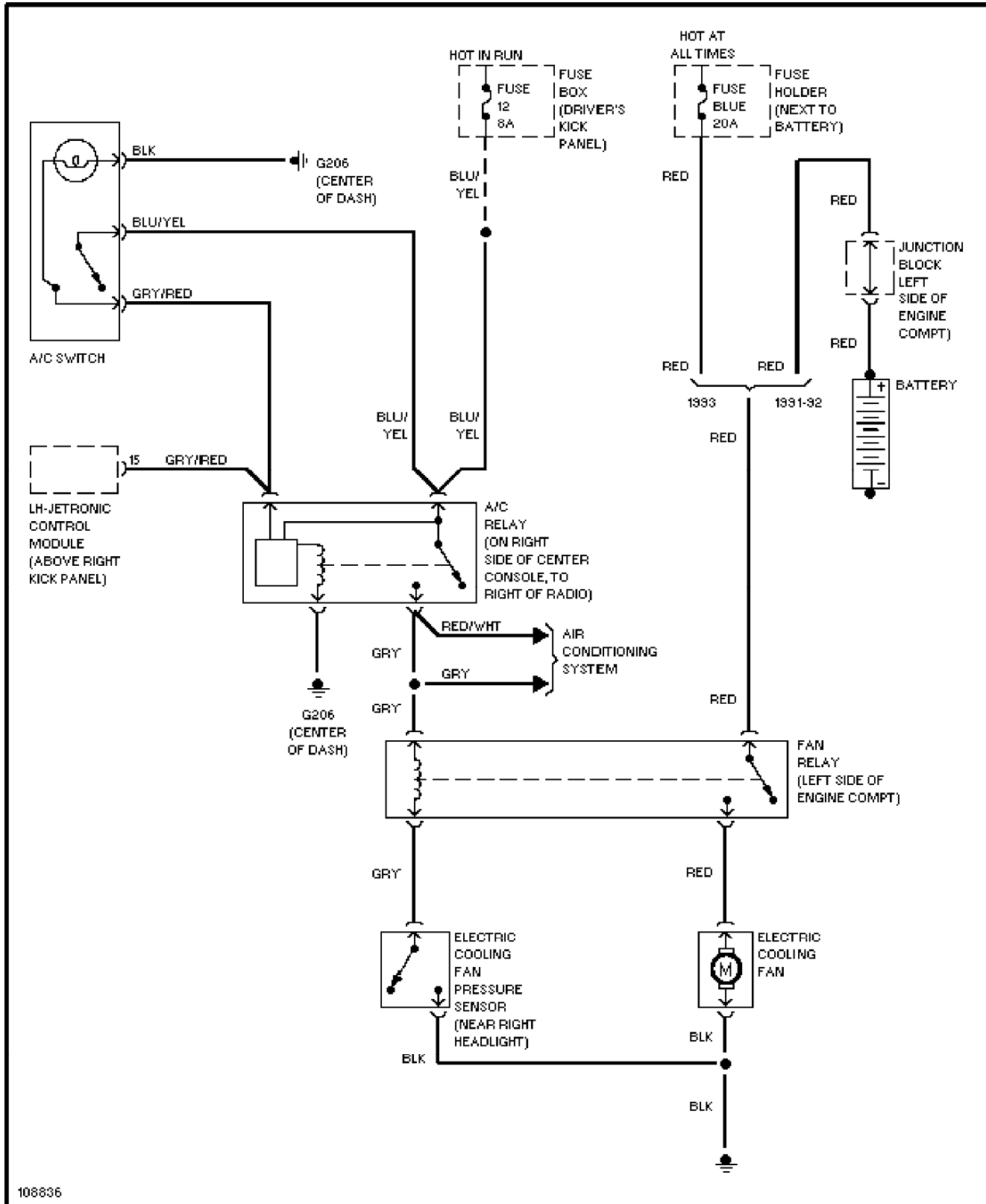


SYSTEM WIRING DIAGRAMS

Cooling Fan Circuit

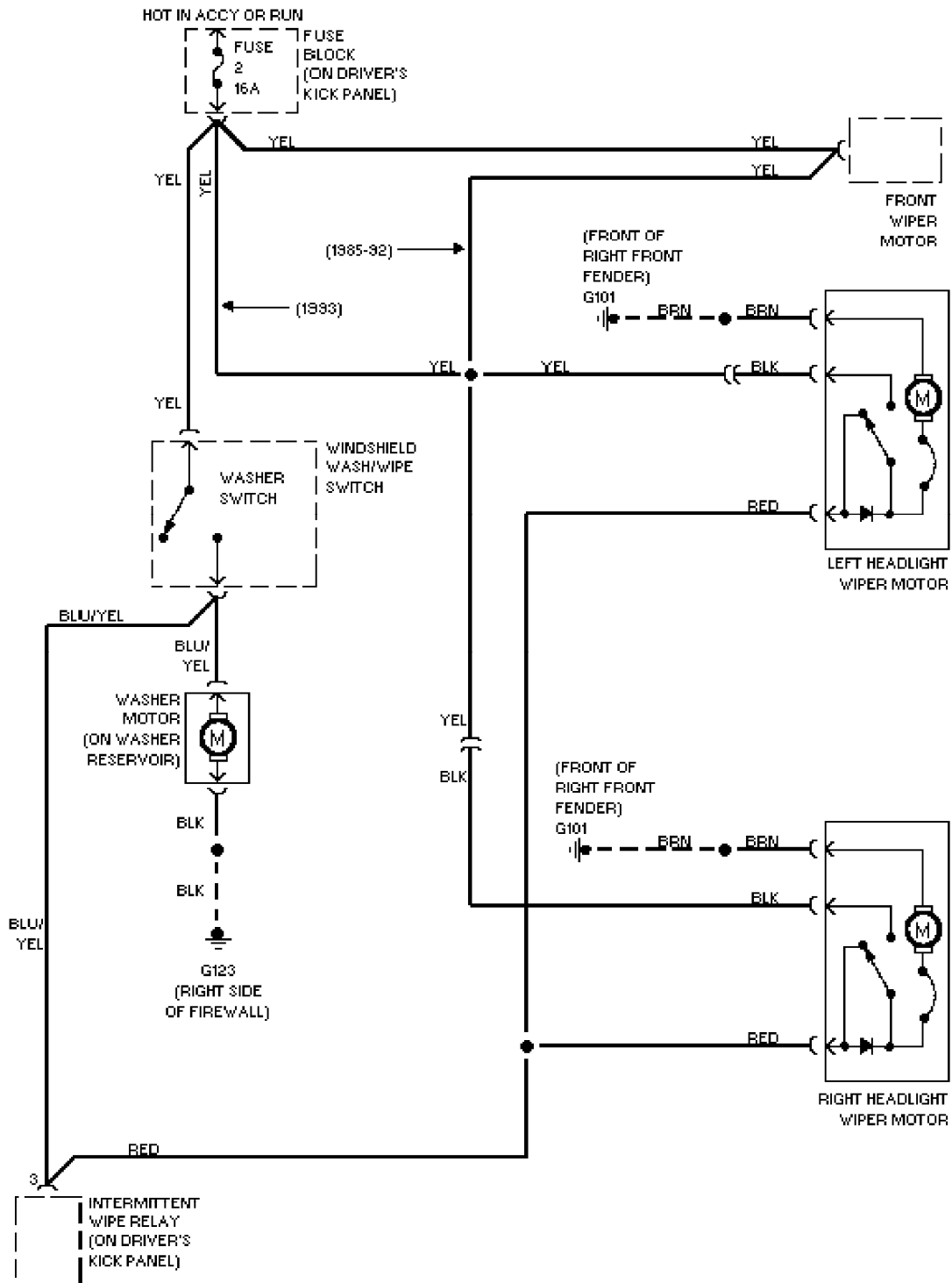
1993 Volvo 240



SYSTEM WIRING DIAGRAMS

Headlight Washer/Wiper Circuit

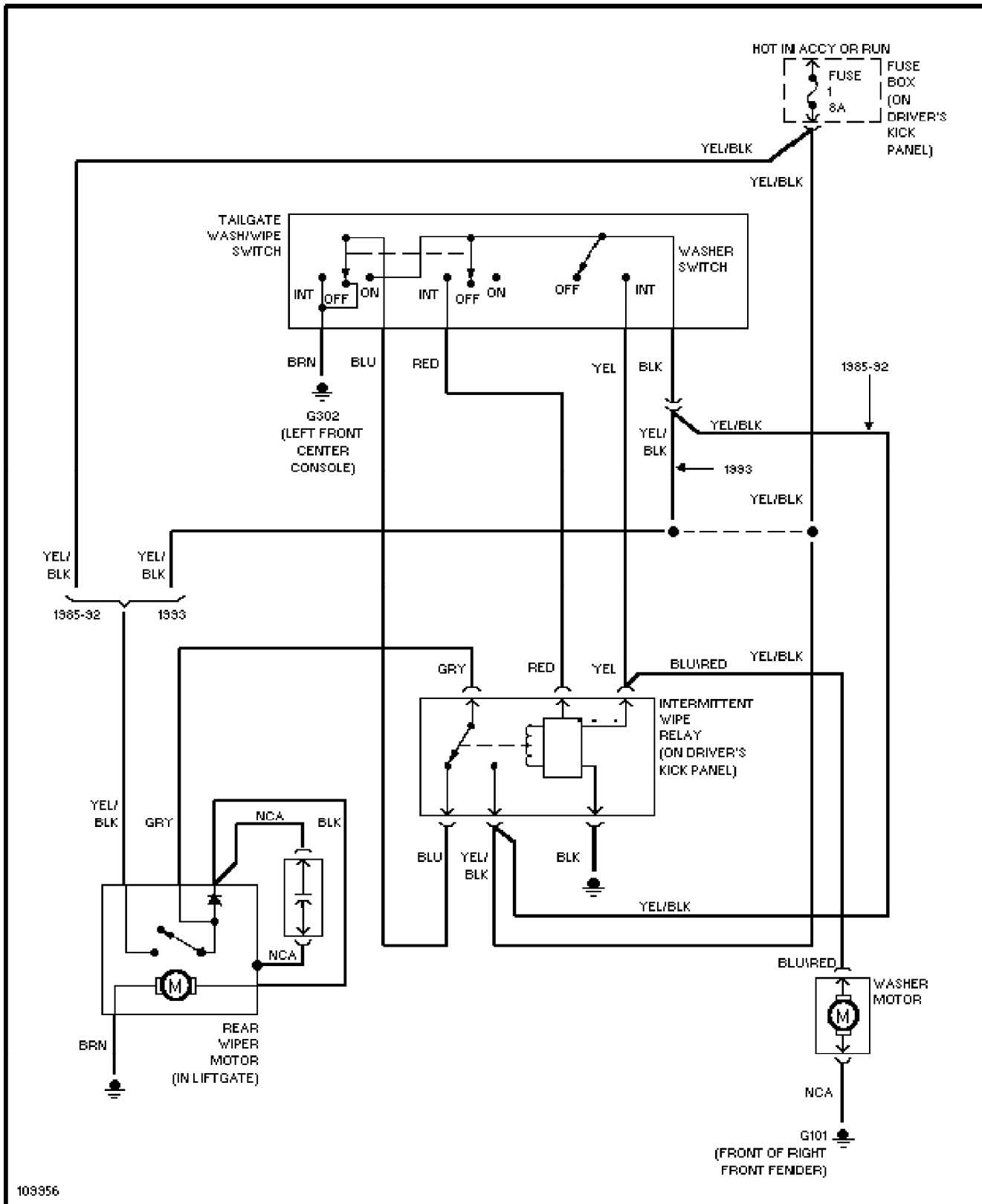
1993 Volvo 240



SYSTEM WIRING DIAGRAMS

Rear Washer/Wiper W/ Intermittent Relay Circuit

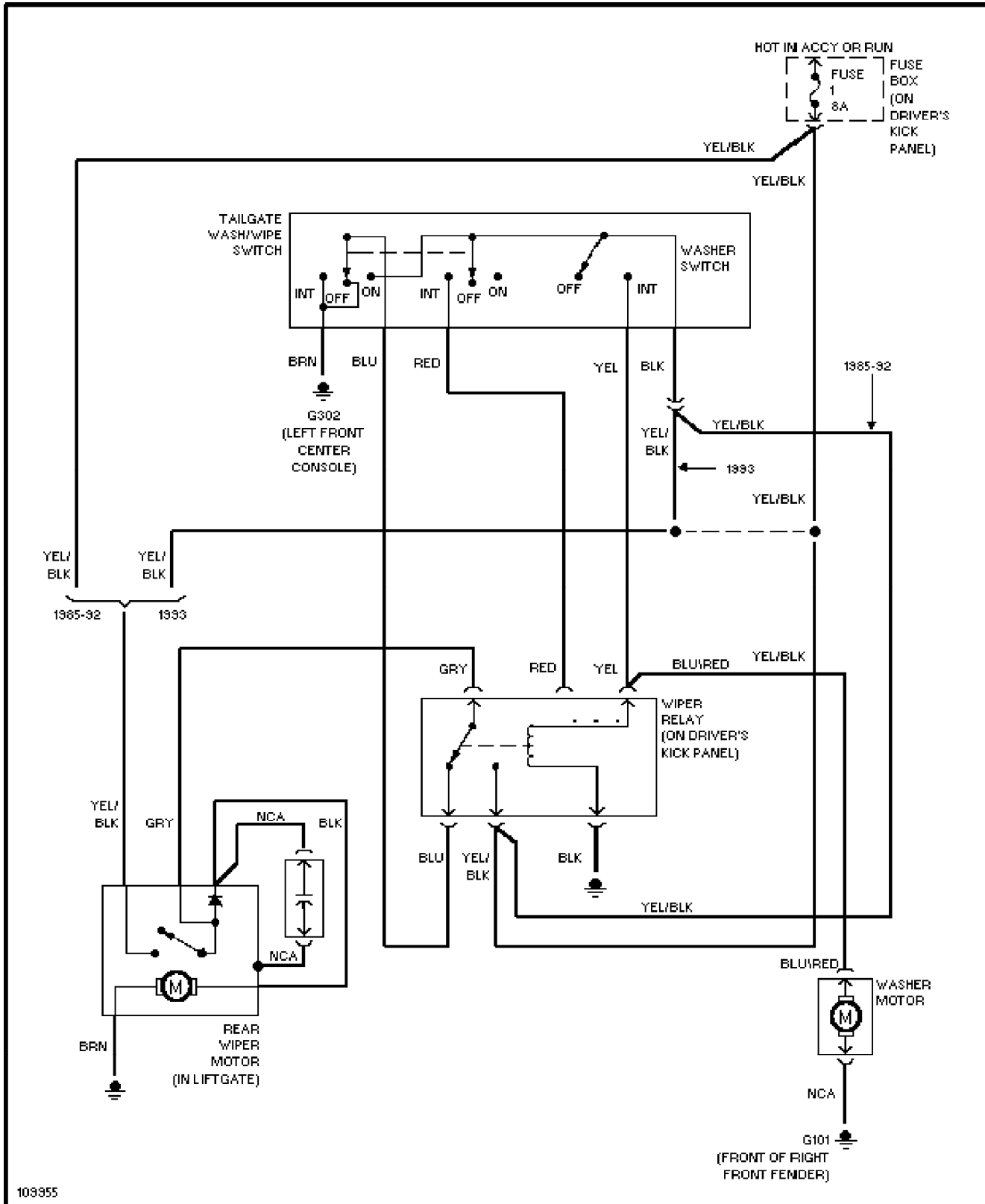
1993 Volvo 240



SYSTEM WIRING DIAGRAMS

Rear Washer/Wiper W/O Intermittent Relay Circuit

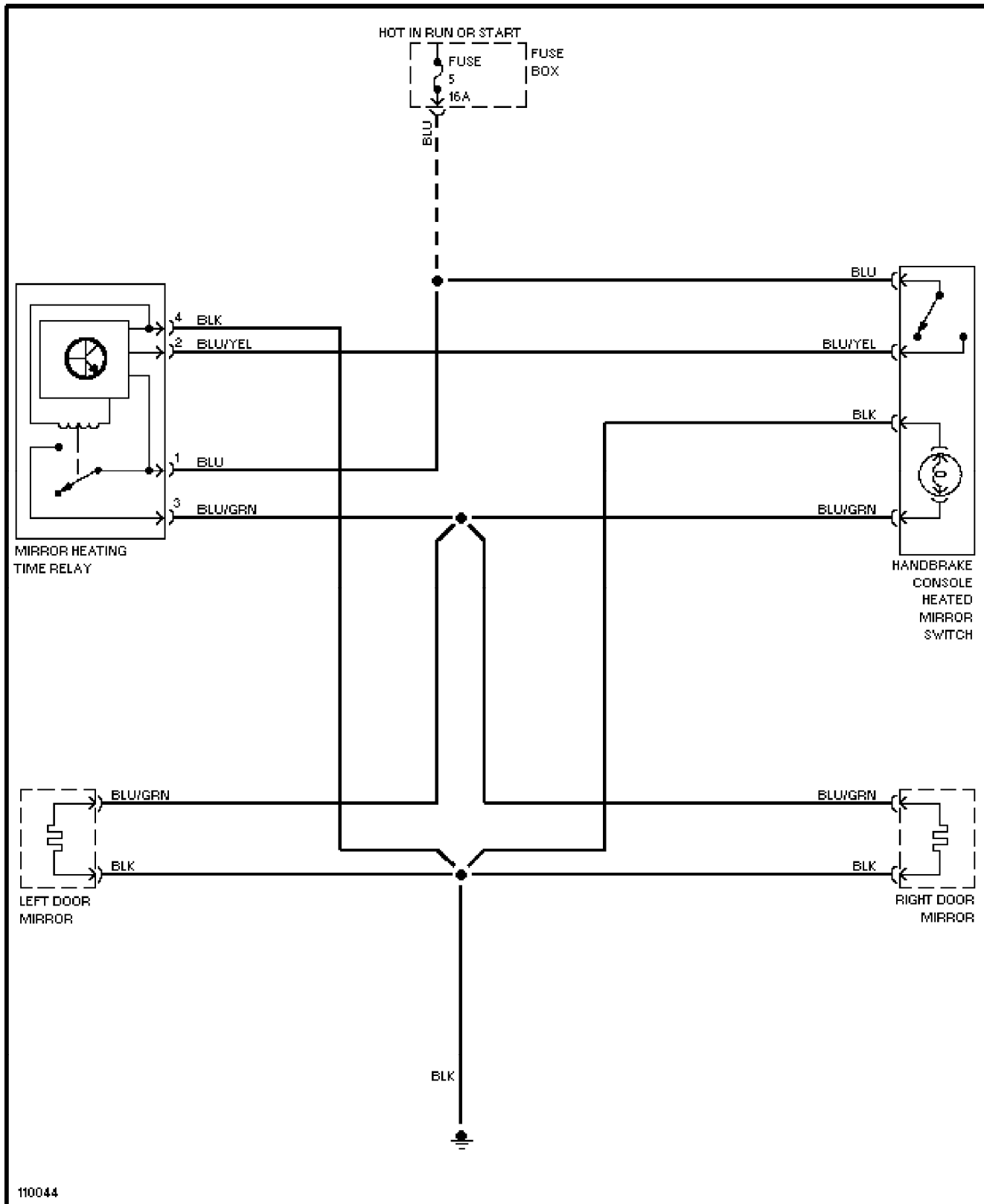
1993 Volvo 240



SYSTEM WIRING DIAGRAMS

Heated Mirrors Circuit

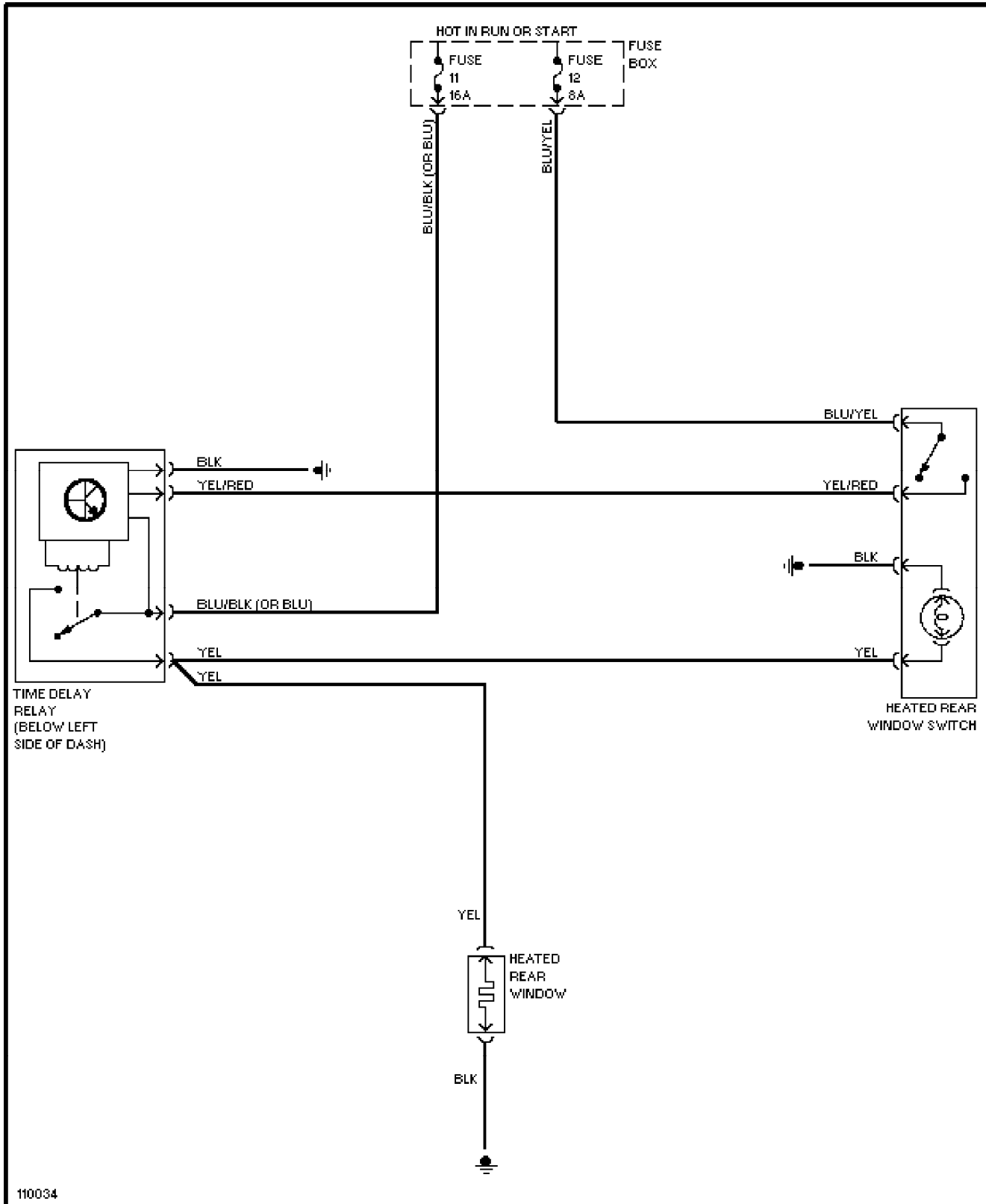
1993 Volvo 240



SYSTEM WIRING DIAGRAMS

Rear Defogger Circuit

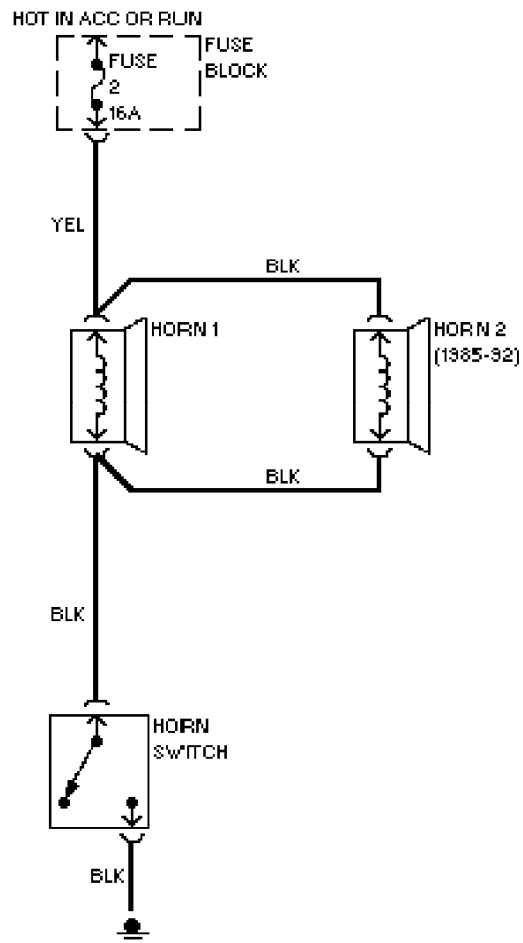
1993 Volvo 240



SYSTEM WIRING DIAGRAMS

Horn Circuit

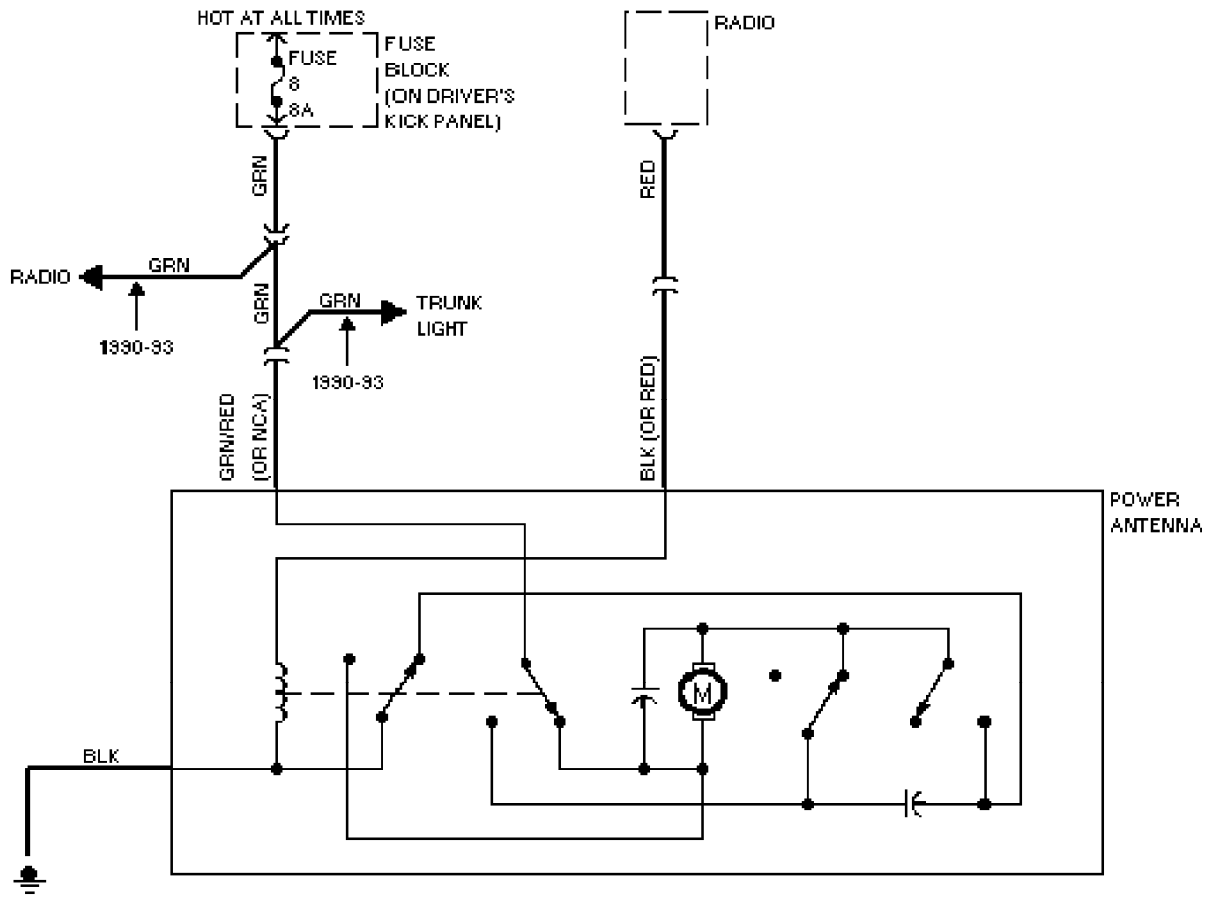
1993 Volvo 240



SYSTEM WIRING DIAGRAMS

Power Antenna Circuit

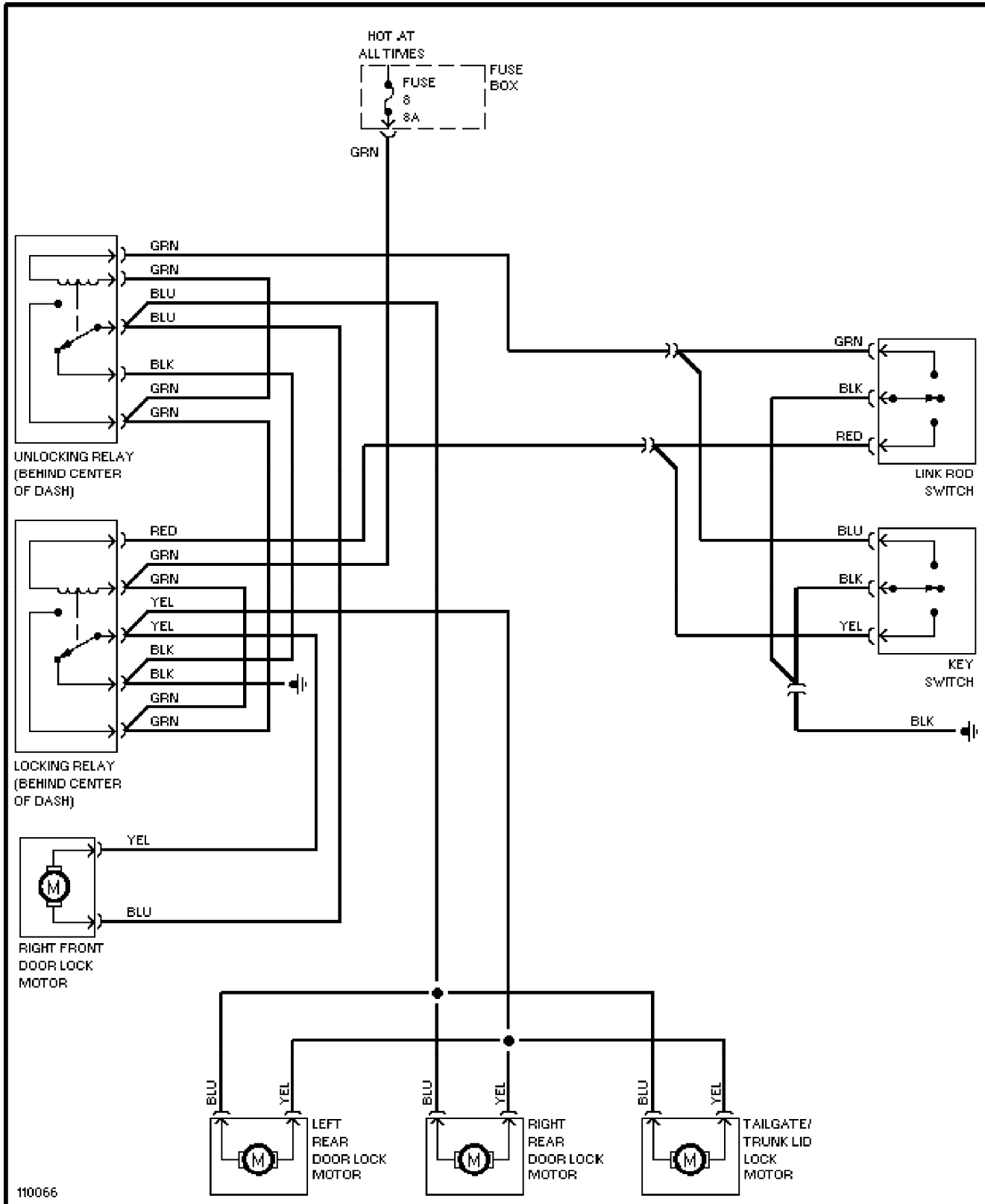
1993 Volvo 240



SYSTEM WIRING DIAGRAMS

Power Door Lock Circuit

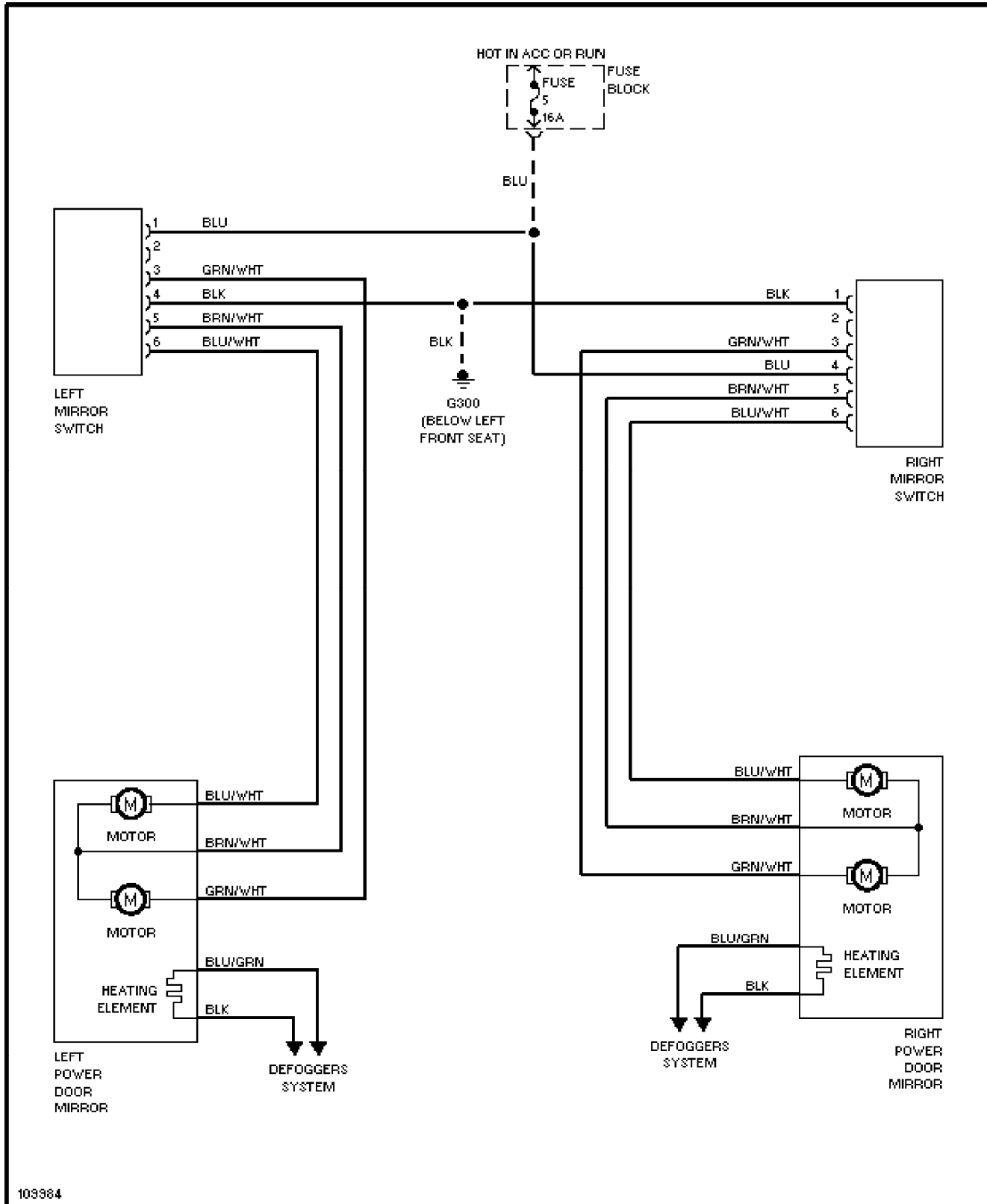
1993 Volvo 240



SYSTEM WIRING DIAGRAMS

Power Mirror Circuit

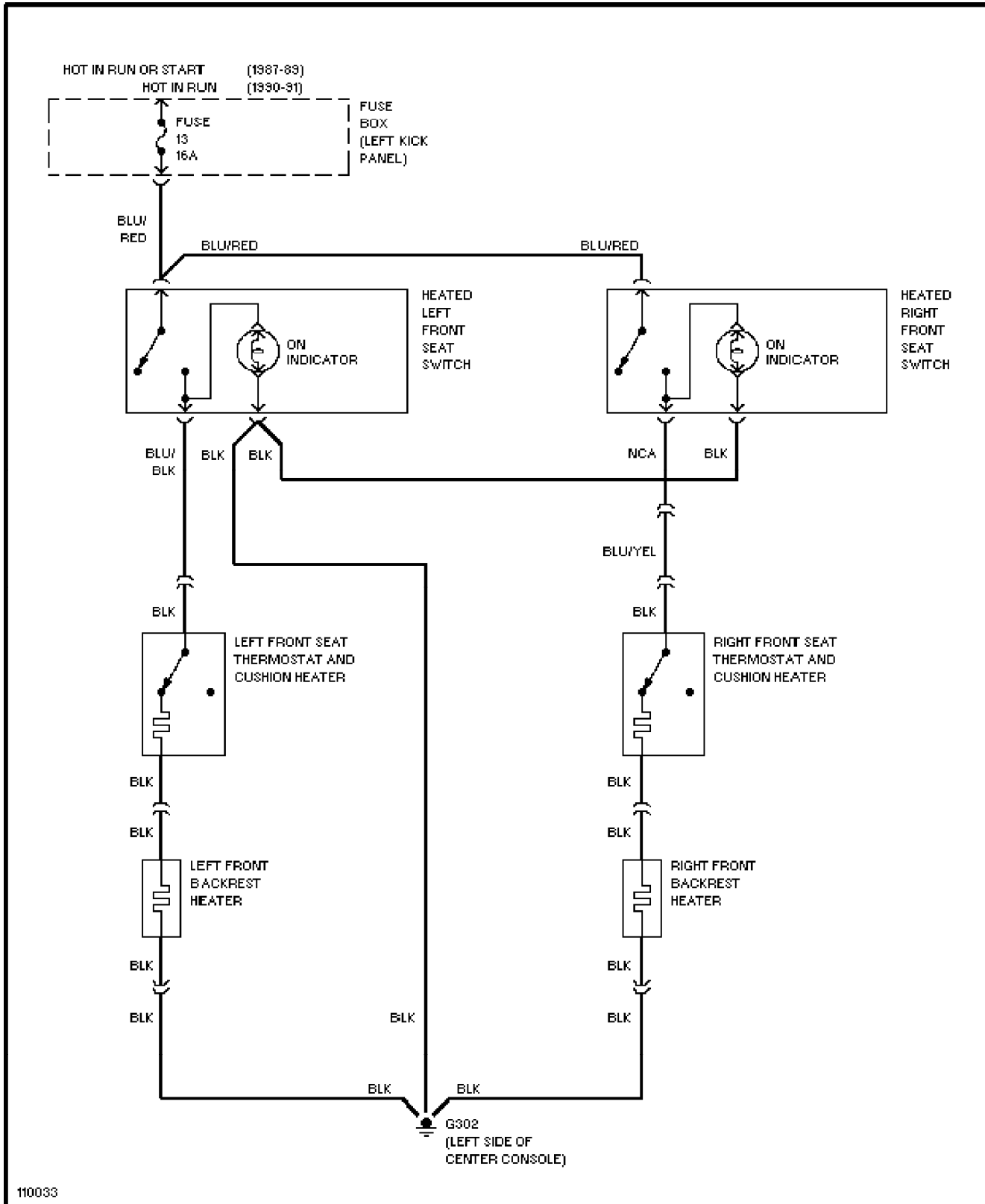
1993 Volvo 240



SYSTEM WIRING DIAGRAMS

Heated Seats Circuit

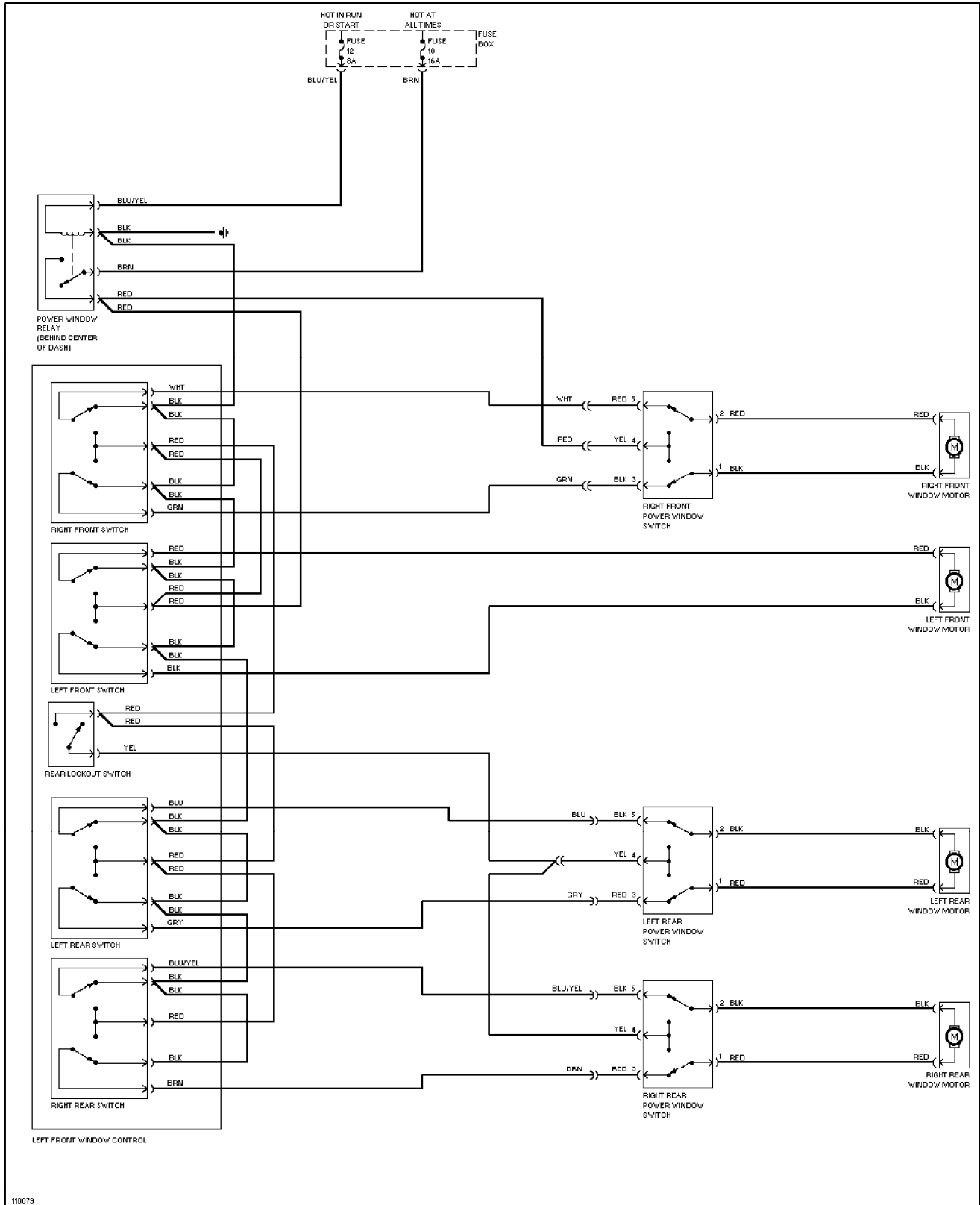
1993 Volvo 240



SYSTEM WIRING DIAGRAMS

Power Window Circuit

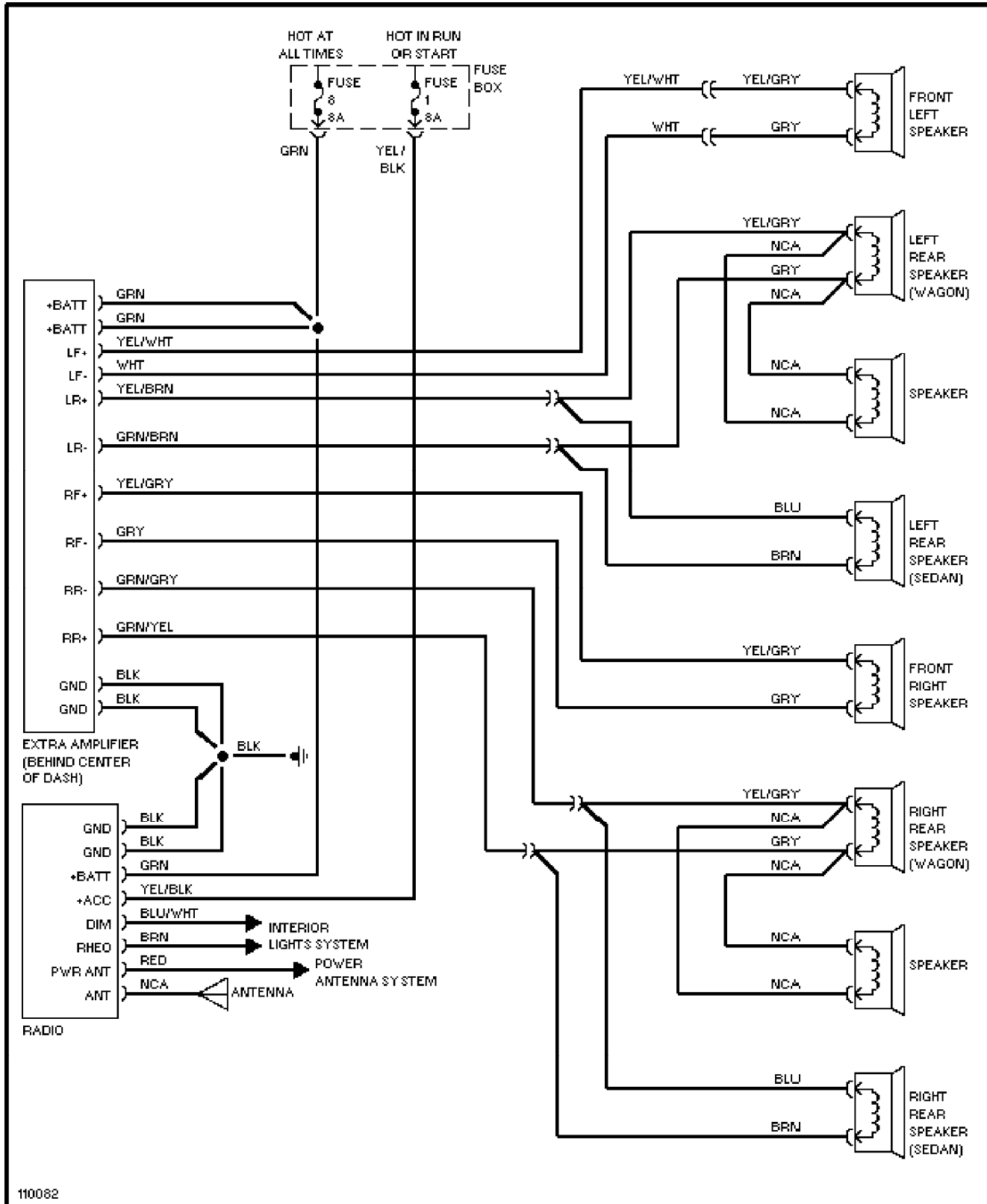
1993 Volvo 240



SYSTEM WIRING DIAGRAMS

Radio Circuits

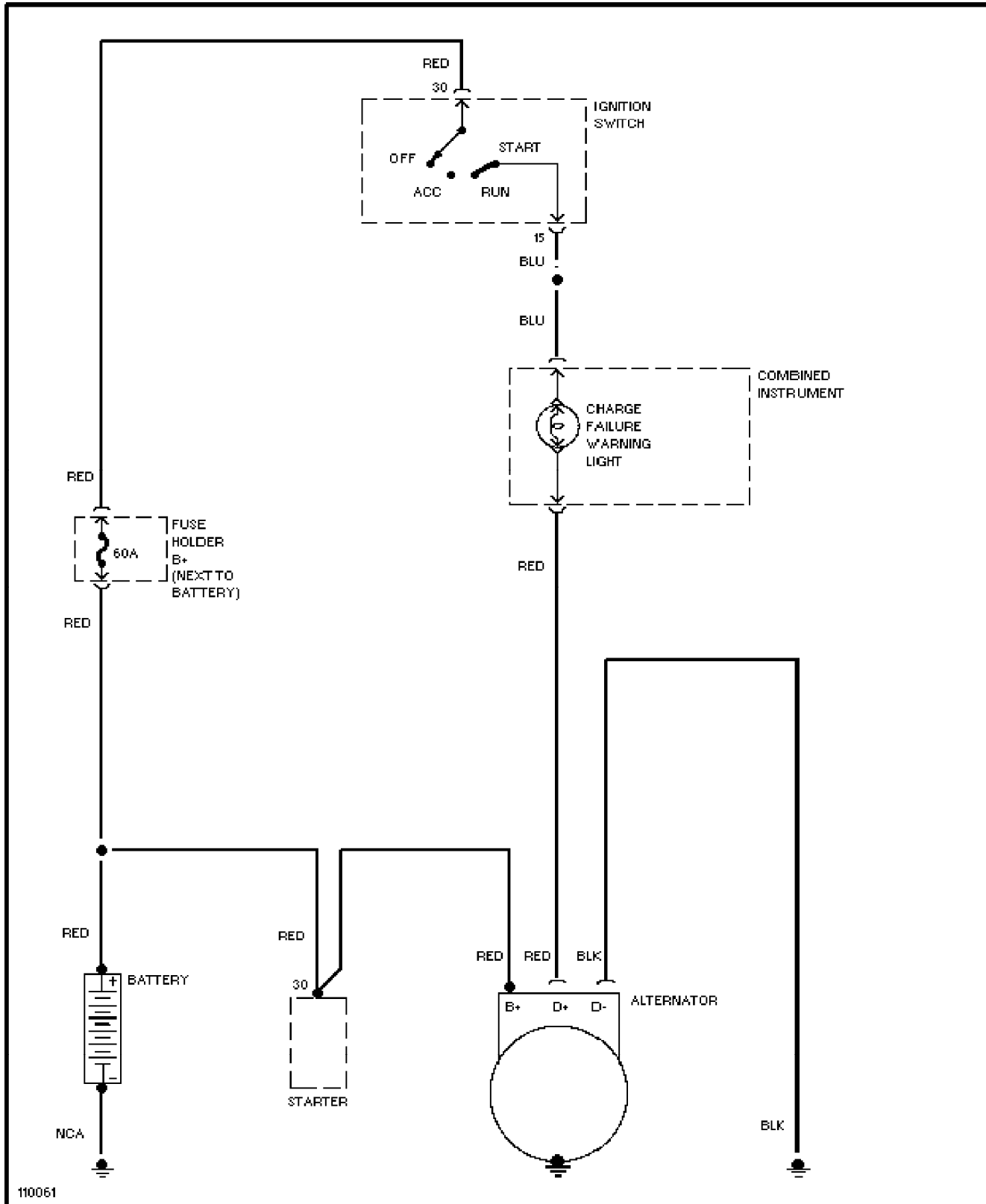
1993 Volvo 240



SYSTEM WIRING DIAGRAMS

Charging Circuit

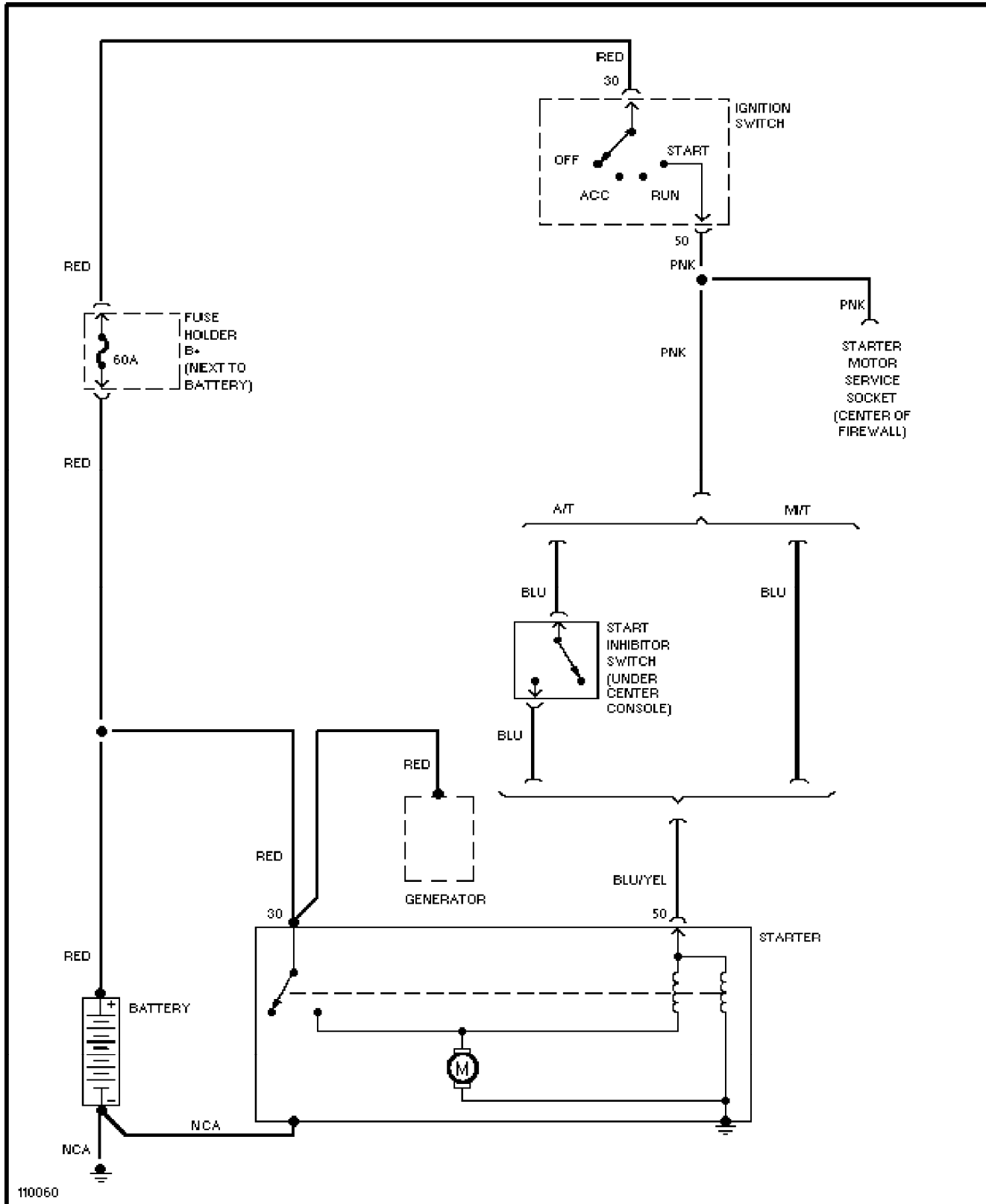
1993 Volvo 240



SYSTEM WIRING DIAGRAMS

Starting Circuit

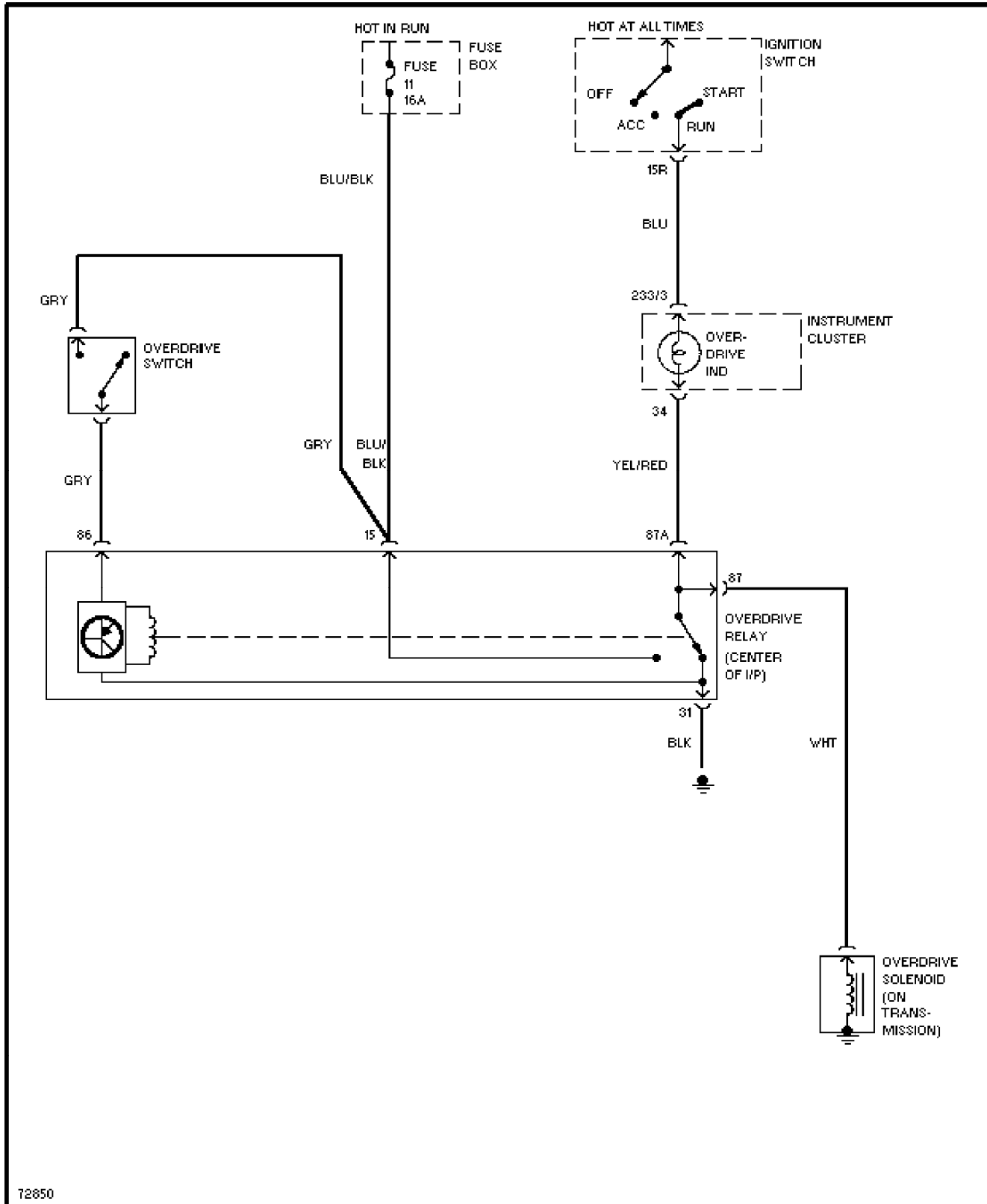
1993 Volvo 240



SYSTEM WIRING DIAGRAMS

Overdrive Circuit

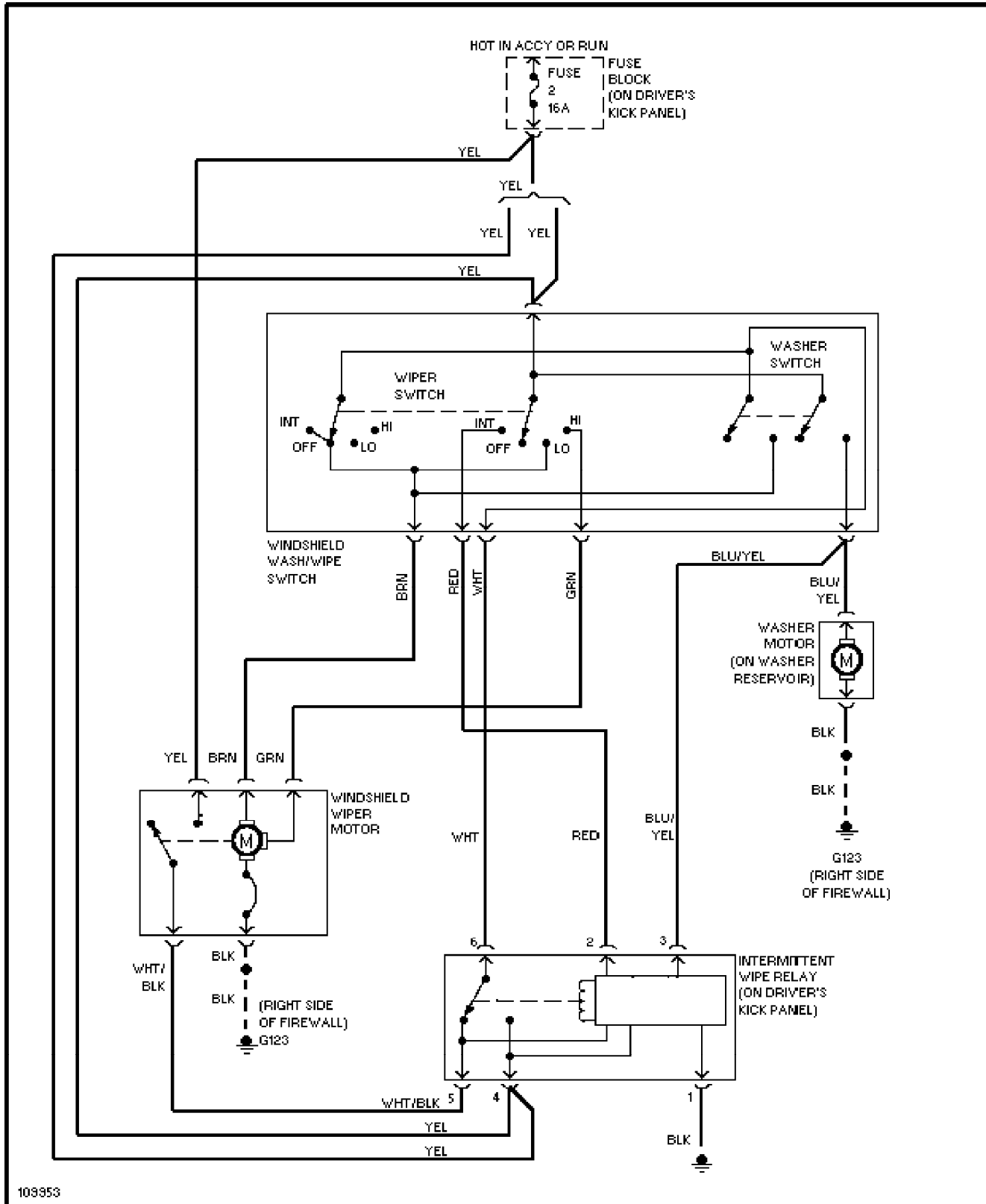
1993 Volvo 240



SYSTEM WIRING DIAGRAMS

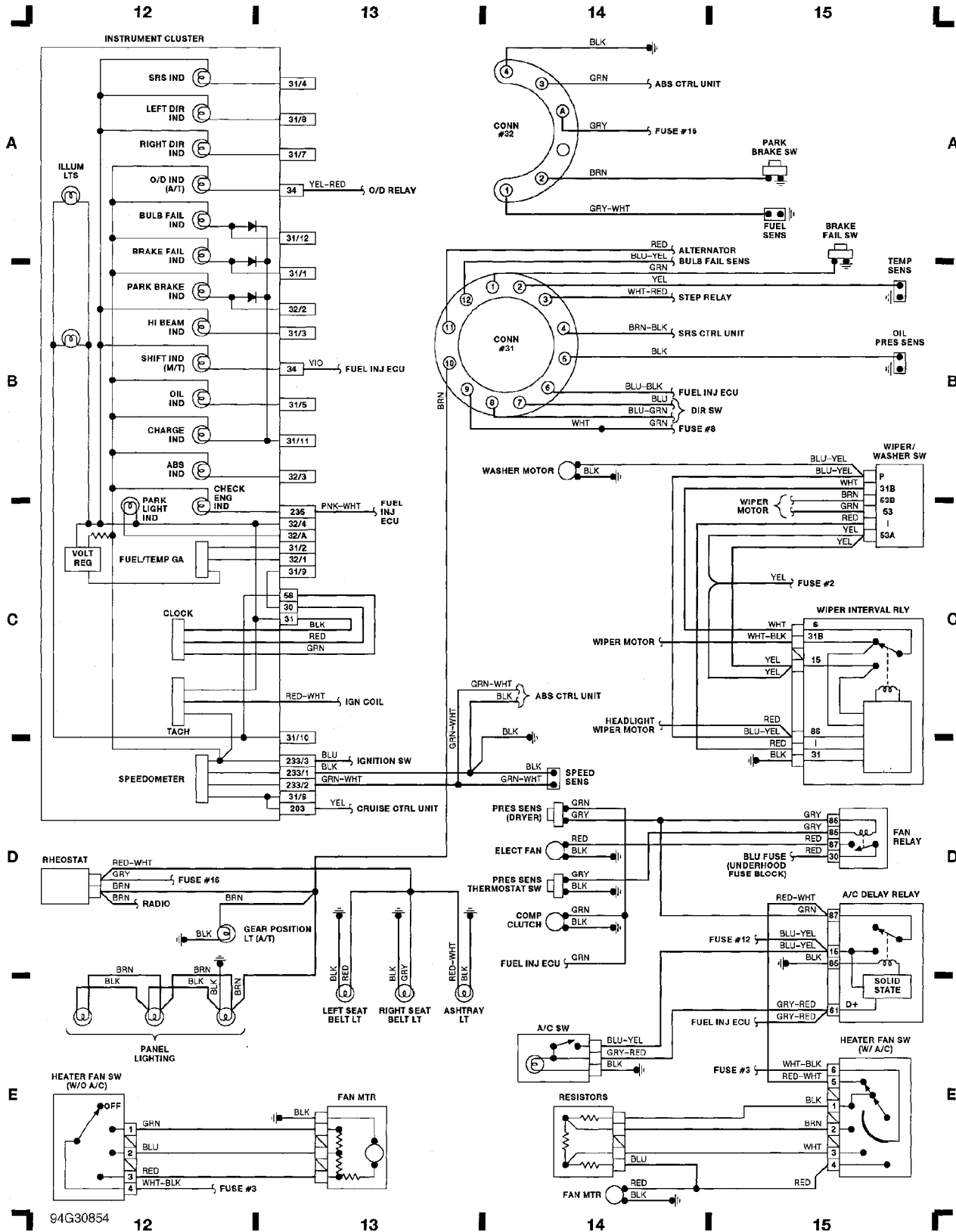
Front Washer/Wiper Circuit

1993 Volvo 240



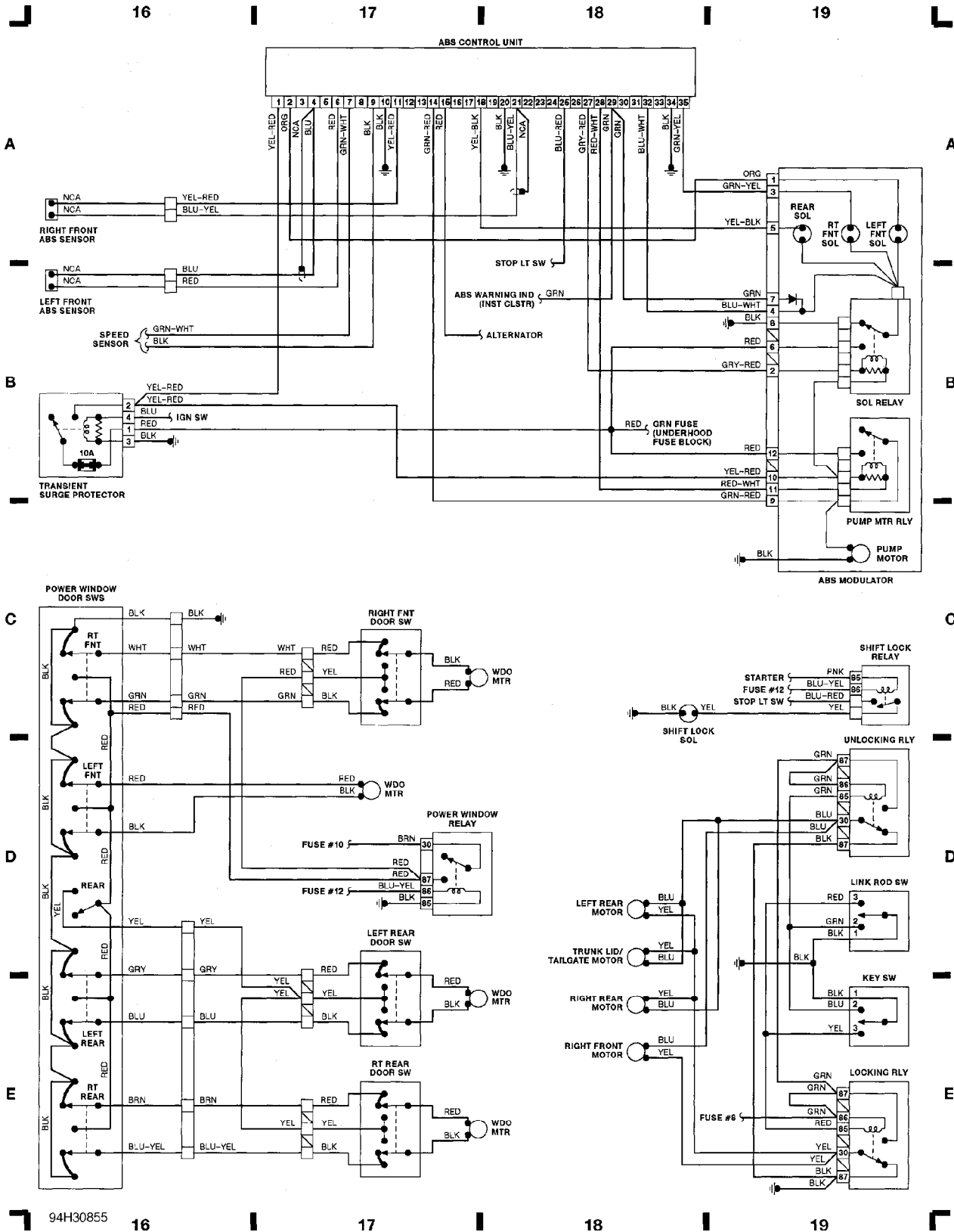
WIRING DIAGRAMS

Fig. 4: Instrument Cluster, Heater Fan Sw (Grid 12-15)
1993 Volvo 240



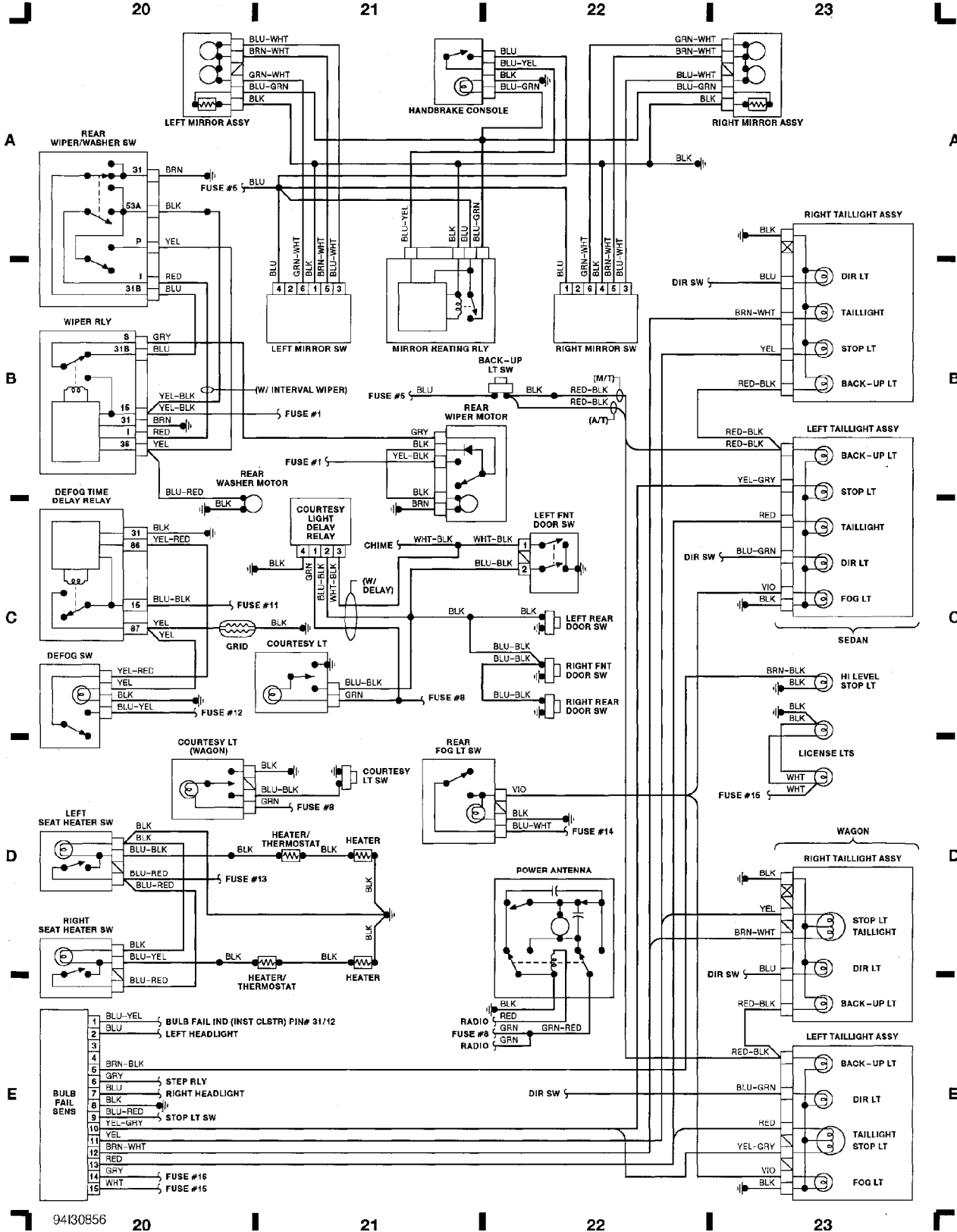
WIRING DIAGRAMS

Fig. 5: ABS Ctrl Sw, Power Window Door Sws (Grid 16-19)
1993 Volvo 240



WIRING DIAGRAMS

Fig. 6: Taillight, Rear Wiper/Washer Sw, Defog Rly (Grid 20-23)
1993 Volvo 240



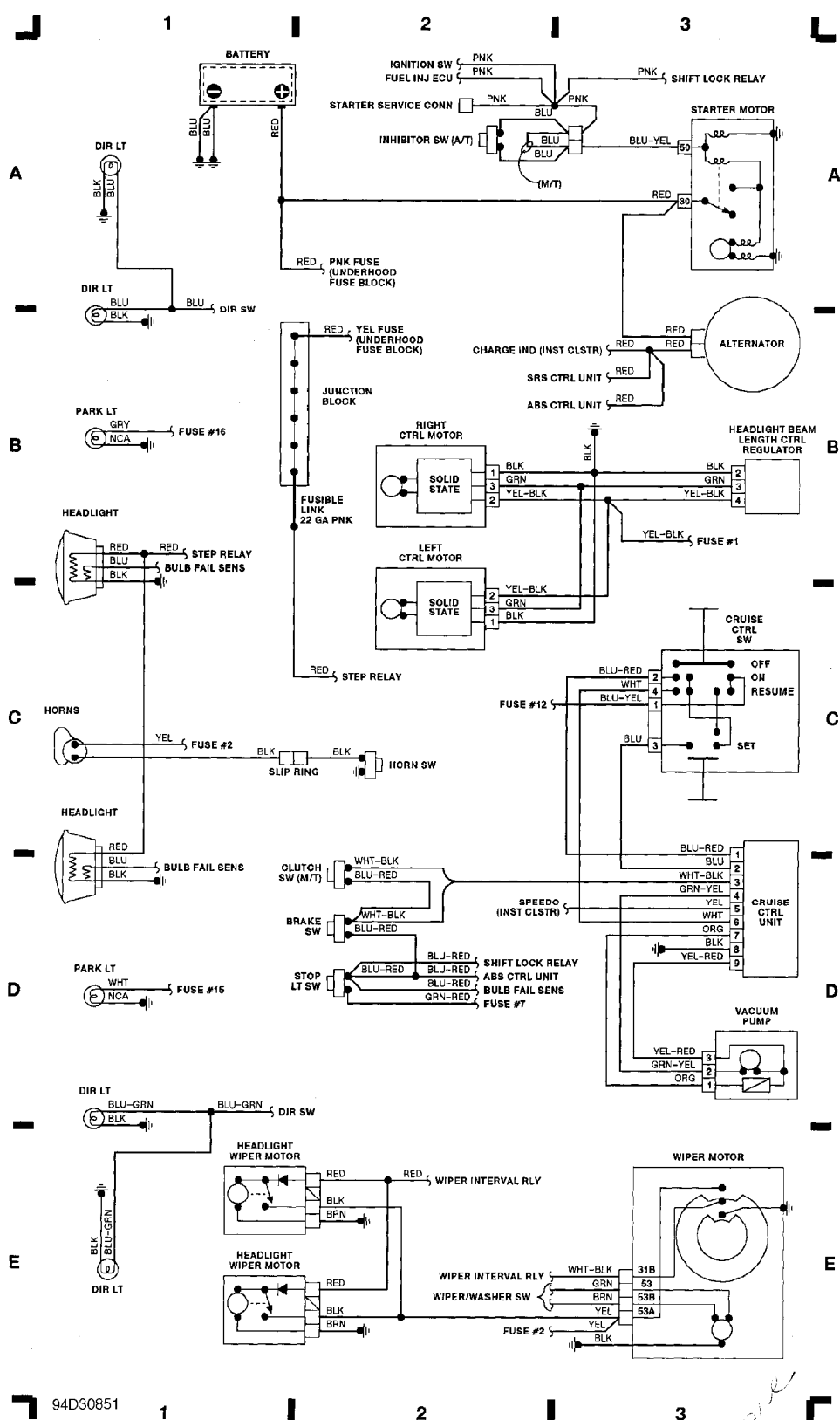
WIRING DIAGRAMS

Fig. 1: Engine Compartment, Headlights (Grid 1-3)

1993 Volvo 240

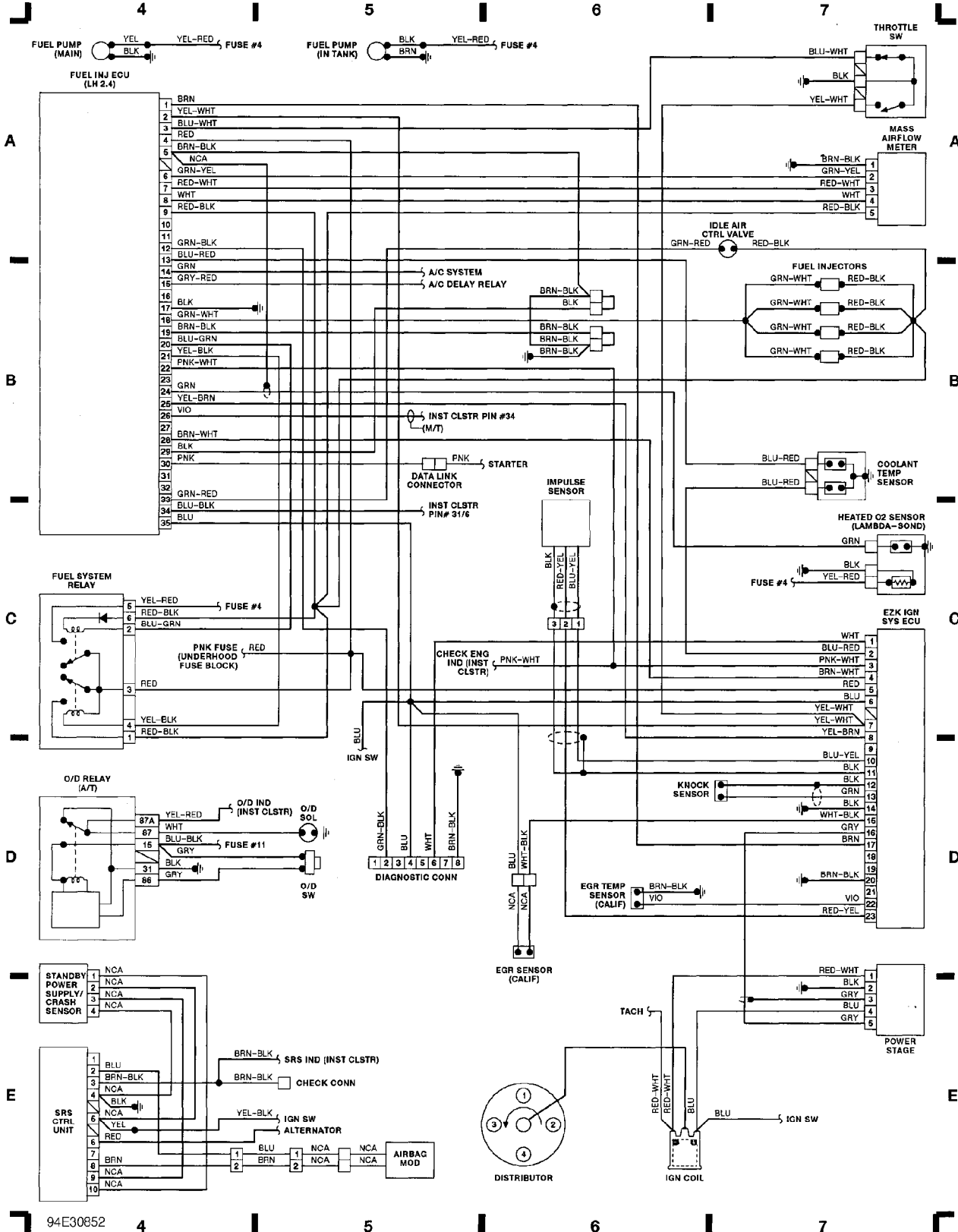
COMPONENT LOCATOR:

A/C SYSTEM	D-E 14-16
ABS SYSTEM	A-C 16-19
ALTERNATOR	B 3
BACK-UP LT SW	B 22
BATTERY	A 1
BRAKE FAIL SW	A 15
BULB FAIL SENS	E 20
CIG LTR	B 19-11
COURTESY LTS	C-D 20-22
CRUISE CTRL SYSTEM	C-D 2-3
DATA LINK CONN	B 6
DEFOG SW	C 20
DEFOG TIME DELAY RELAY	C 20
DIAGNOSTIC CONN	D 5
DIR SW	A 11
E2K IGN SYSTEM ECU	C-D 7
FAN RELAY	D 15
FLASHER RELAY	A-B 9-10
FUEL INJ ECU (IH-JETRONIC)	A-B 4
FUEL PUMP (IN TANK)	A 5
FUEL PUMP (MAIN)	A 4
FUEL PUMP SENS	A 15
FUEL SYSTEM RELAY	C 4
FUSE BLOCK	B-E 8-10
GLOVE BOX LT & SW	D 11
HAZARD SW	A-B 11
HEADLT BEAM LENGTH CTRL SYSTEM	B 2-3
HEADLT RLY	A-B 9
HEADLT SW	A 9-10
HEADLT WIPER MOTORS	E 1-2
HEATER FAN SWS	E 12-15
HORN SW	C 1
IGNITION COIL	E 6
IGNITION SW	B-E 8
INHIBITOR SW	A 2
INSTRUMENT CLUSTER	A-D 12-14
JUNCTION BLOCK	B 1
LEFT FRONT DOOR SW	C 22
O/D RELAY (A/T)	D 4
O2 SENSOR	C 7
OIL PRES SENS	B 15
PANEL LTS	E 12
PARK BRAKE SW	A 15
POWER ANTENNA	D-E 22
POWER DOOR LOCKS	D-E 18-19
POWER MIRROR SYSTEM	A-B 20-23
POWER WINDOW SYSTEM	C-E 16-17
REAR FOG LT SW	D 21-22
REAR WIPER/WASHER SYSTEM	A-B 20-21
RHOESTAT	D 12
SEAT BELT LTS	E 9, E 11, E 13
SEAT HEATER SYS	D 20-21
SH FT LOCK RELAY	C 19
SPEED SENS	D 14
SRS SYSTEM	E 4-5
STARTER MOTOR	A 3
STEP RELAY	A 8
STOP LT SW	D 2
TEMP SENS	B 15
TRUNK LT SW	C 11
UNDERHOOD FUSE BLOCK	D 8
WIPER INTERVAL RLY	C-D 15
WIPER MOTOR	E 3
WIPER/WASHER SW	A-C 15



WIRING DIAGRAMS

Fig. 2: Fuel Injector ECU (LH 2.4), EZK Ign Sys Sw (Grid 4-7)
1993 Volvo 240



WIRING DIAGRAMS
Fig. 3: Fuse Block, Headlight Sw, Step Rly (Grid 8-11)
 1993 Volvo 240

