



Owner's Manual

TIGRA

Operation, Safety and Maintenance



VAUXHALL Tigra

Operation, Safety, Maintenance

Data specific to your vehicle

Please enter your vehicle's data here to keep it easily accessible.

This information is available under the section "Technical data" as well as on the identification plate and in the Service Booklet.

Fuel

Designation

Engine oil

Grade

Viscosity

Tyre pressure

	Tyre size	for load with 1 person and light luggage		with full load	
Summer tyres	<input type="text"/>	Front <input type="text"/>	Rear <input type="text"/>	Front <input type="text"/>	Rear <input type="text"/>
Winter tyres	<input type="text"/>	Front <input type="text"/>	Rear <input type="text"/>	Front <input type="text"/>	Rear <input type="text"/>

Weights

Permissible gross vehicle weight

- EC kerb weight

= Loading

Your Tigra

is an intelligent combination of forward-looking technology, impressive safety, environmental friendliness and economy.

The Retractable steel roof also gives you the opportunity to enjoy your Tigra as a coupe or a convertible.

It now lies with you to drive your vehicle safely and ensure that it performs perfectly. This Owner's Manual provides you with all the necessary information to that end.

Make sure your passengers are aware of the possible risk of accident and injury which may result from improper use of the vehicle.

You must always comply with the specific laws of the country that you are travelling through. These laws may differ from the information in this Owner's Manual.

When this Manual refers to a workshop visit, we recommend your Vauxhall Authorised Repairer.

All Vauxhall Authorised Repairers provide first class service at reasonable prices.

You will receive quick, reliable and individual service.

Experienced mechanics, trained by Vauxhall, work according to specific Vauxhall instructions.

The Owner's Manual should always be kept in the vehicle: Ready to hand in the glove compartment.

Make use of the Owner's Manual:

- z The "In Brief" section will give you an initial overview.
- z The table of contents at the beginning of the owner's manual and within the individual chapters will show you where everything is.
- z Its index will help you find what you want.
- z It will familiarise you with the sophisticated technology.
- z It will increase your pleasure in your vehicle.
- z It will help you to handle your vehicle expertly.

The Owner's Manual is designed to be clearly laid out and easily understood.

This symbol signifies:

6 Continue reading on next page.

3 Items marked with an asterisk are not fitted to all vehicles (model variants, engine options, models specific to one country, optional equipment, Genuine Vauxhall Parts and Accessories).

9 Warning

Text marked **9 Warning** provides information on risk of accident or injury. Disregard of the instructions may lead to injuries or endanger life. Inform your passengers accordingly.

Yellow arrows in the illustrations serve as points of reference or indicate some action to be performed.

Black arrows in the illustrations indicate a reaction or a second action to be performed.

Directional data, e.g. left or right, or front or back, in the descriptions always relate to the direction of travel.

Thank you for choosing a Vauxhall. We wish you many hours of pleasurable driving.

Your Vauxhall Team

Contents

Commitment to customer satisfaction:

Our aim: to keep you happy with your vehicle. All Vauxhall Authorised Repairers offer first-class service at competitive prices. Experienced, factory-trained technicians work according to factory instructions. Your Authorised Repairer can supply you with GENUINE VAUXHALL-APPROVED PARTS, which have undergone stringent quality and precision checks, and of course useful and attractive VAUXHALL-APPROVED ACCESSORIES. **Our name is your guarantee!**

For details of the Vauxhall Authorised Repairer Network, please ring this number: 0845 090 2044

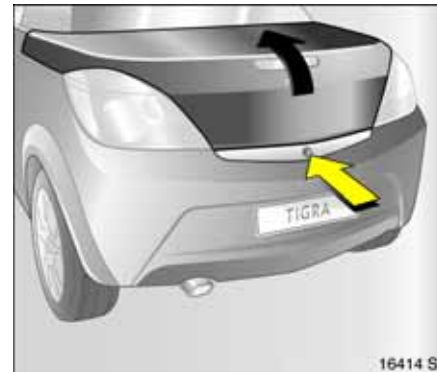
In Brief	2
Keys, doors, windows, Retractable steel roof	20
Seats, Interior	46
Instruments, Controls	68
Lighting	88
Infotainment system	92
Climate control	94
Driving and Operation	102
Self-help, vehicle care	132
Technical data	162
Service, Maintenance	175
Index	190

In Brief



To unlock and open driver's door:
Press button q_1 ,
pull door handle

6 Door locks, child safety locks – see page 22,
key – see page 20,
electronic immobilizer – see page 21,
radio remote control 3 – see page 22,
central locking 3 – see page 24,
Vauxhall alarm system 3 – see page 31.

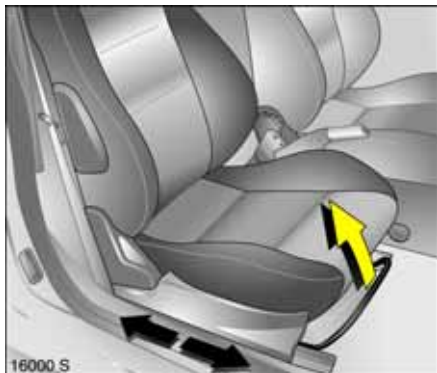


To unlock and open luggage compartment:
Press button q_1
of remote control twice,
press button beneath the boot lid

The vehicle is unlocked and the luggage compartment opens automatically.

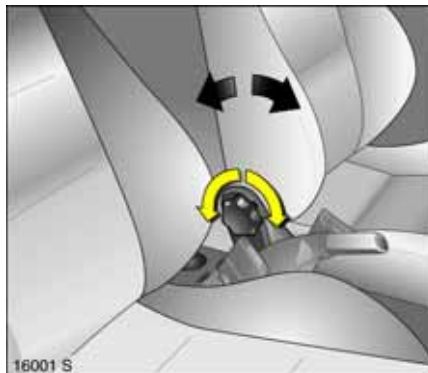
To unlock with button on driver's door:
With vehicle unlocked, ignition on and hand brake applied, briefly pull button R.

6 Luggage compartment – see page 27,
radio remote control – see page 22.



To adjust seat:
Pull handle,
slide seat,
release handle

6 Seats – see page 46,
 seat position – see page 47.



Adjusting seat backrest:
Turn handwheel

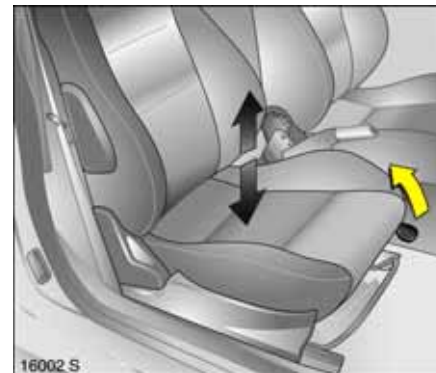
Move seat backrest to suit seating position.

Do not lean on seat backrest whilst
 adjusting it.

6 Seats – see page 46,
 seat position – see page 47.

⚠ Warning

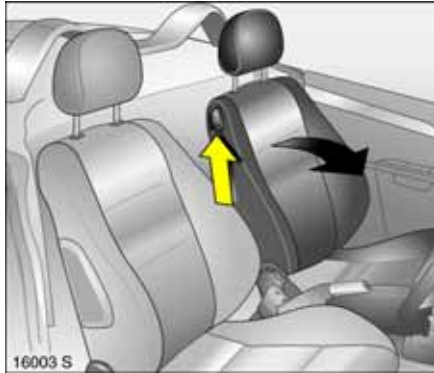
Important: Do not sit nearer than 10
 inches (25 cm) from the steering wheel, to
 permit safe airbag deployment.



To adjust seat height:
Pull front lever at side

Lift lever and relieve some weight from seat
 to raise it or press down on seat with body
 weight to lower it.

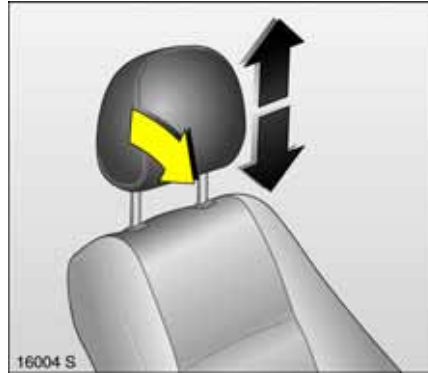
6 Seats – see page 46,
 seat position – see page 47.



**Folding down the seat backrests:
Raise release lever**

To access the stowage compartment behind the seats, fold the front seat backrests forward.

6 Seats – see page 46,
seat position – see page 47.



**To adjust head restraint height:
To release catch grip head
restraint at sides,
tilt forward,
hold and adjust height,
engage**

6 Head restraints – page 48,
head restraint position – page 48,
head restraint removal – page 48.



**To fit seat belt:
Draw seat belt smoothly
from inertia reel,
guide over shoulder
and engage in buckle**

The seat belt must not be twisted at any point. The lap belt must lie snugly against the body. The backrests must not be tilted back too far (recommended tilting angle approx. 25°).

To release belt, press red button on belt buckle.

6 Three-point safety belts – see page 50,
airbag system – see page 56,
seat position – see page 47.



**To adjust exterior mirrors:
Four-way switch on driver's door**

Press mirror switch right or left: Four-way switch adjusts corresponding mirror.

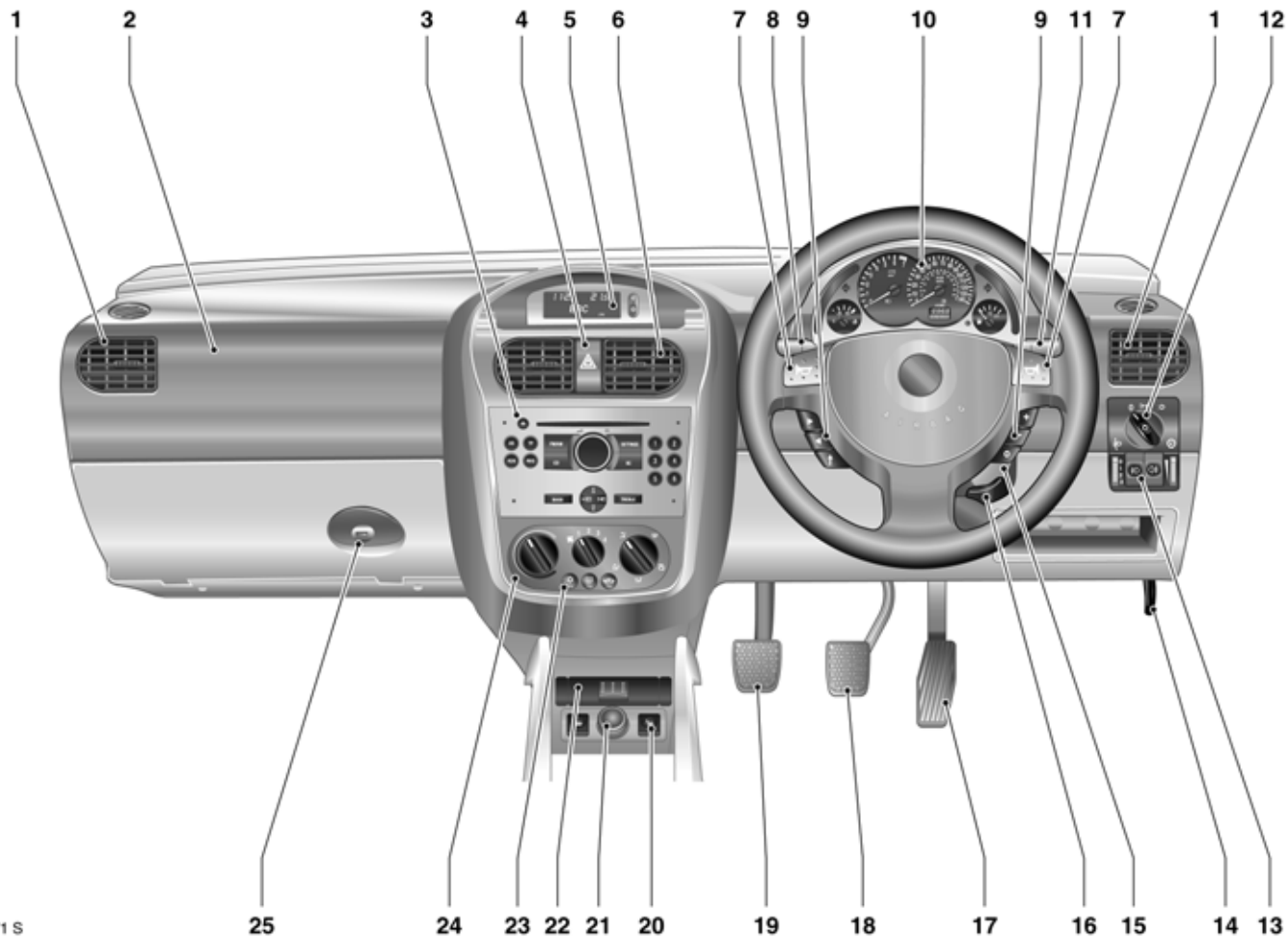
6 Mirrors – page 34,
aspherical exterior mirror – page 34,
heated exterior mirror – pages 12, 95.



**Adjusting interior mirror:
Swivel mirror housing**

Swivel lever on underside of mirror housing to reduce dazzle at night.

6 Mirrors – page 34.



	Page		Page		Page
1	94	11	11, 87	18	72, 108, 123
2	56		11, 87	19	108
3	76, 93	12	9, 88	20	95
4	10, 90	13	90	21	65
	32		89	22	66
5	76		89	23	98
	76	14	91		12, 95
	76		132		99
	83	15	9	24	94
6	94		9	25	67
7	11	16	9		
	56	17	108, 110		
8	10, 89				
	10, 89				
	9, 89				
	90				
	120				
9	92				
10	68, 74				

Control indicators

X Seat belt 3,
see pages 68, 50.

> Fog lights 3,
see pages 68, 89.

A Engine electronics,
Immobilizer 3,
Easytronic 3,
Fault,
see pages 21, 69, 102, 114.

Z Exhaust emission 3,
see pages 69, 114.

V Airbag systems,
Belt tensioners,
see pages 52, 60.

I Engine oil pressure,
see page 70.

O Turn signal lights,
see pages 10, 71, 89.

C Main beam,
see pages 9, 71, 89.

! Glow plugs 3,
see page 70.

j Easytronic 3,
Start engine 3,
see pages 71, 103.

T Easytronic 3,
Winter programme,
see page 105.

r Fog tail light,
see pages 71, 89.

P Alternator,
see page 71.

R Brake system,
Clutch system,
see pages 72, 183.

U Anti-lock Brake System 3,
see page 125.

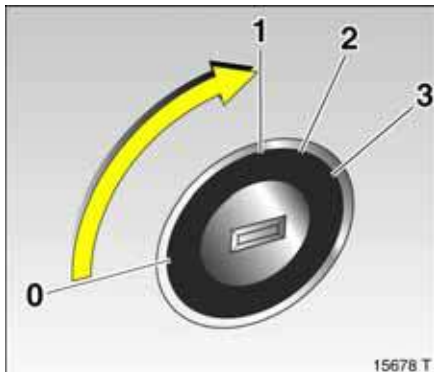
S Engine oil level 3,
see pages 72, 179.

EPS Electric power steering 3,
see page 72.

V Electronic Stability Program
(ESP[®] Plus) 3,
see pages 73, 118.

Y Fuel level,
see pages 73, 113.

y Seat occupancy recognition 3,
see pages 73, 61.



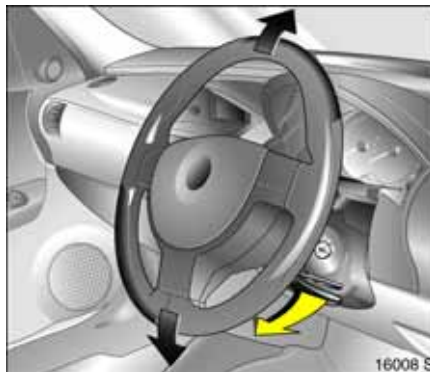
Steering wheel lock and ignition: Turn key to position 1 Move steering wheel somewhat to release lock

Positions:

- 0 = Ignition off
- 1 = Steering free, ignition off
- 2 = Ignition on,
for diesel engine: preheat
- 3 = Starting

To lock the steering wheel, switch ignition off, remove key and engage steering wheel.

6 Starting – page 13,
electronic immobilizer – page 21,
parking the vehicle – page 14.



Steering wheel adjustment 3: Swivel lever down, adjust height, swivel lever up, engage

Adjust steering wheel only when vehicle is stationary and steering column lock is released.

6 Airbag systems – page 56.



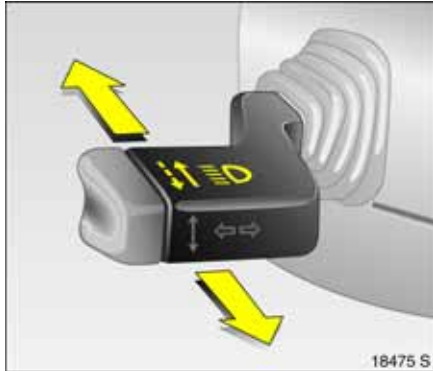
Light switch

- 7 = Off
- 8 = Parking lights
- 9 = Dipped beam
or main beam

Press button:

- > = Fog lights 3
- r = Fog tail light
- O = Courtesy light

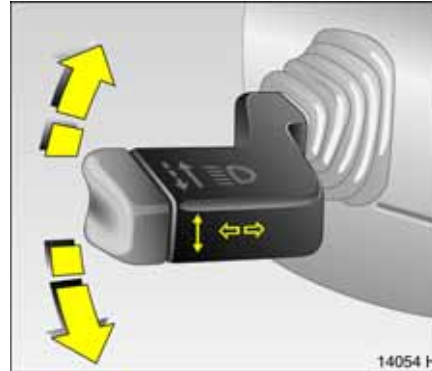
6 Lighting – page 88,
headlight control indicator – pages 14, 86.



Headlight flash, main beam and dipped beam:

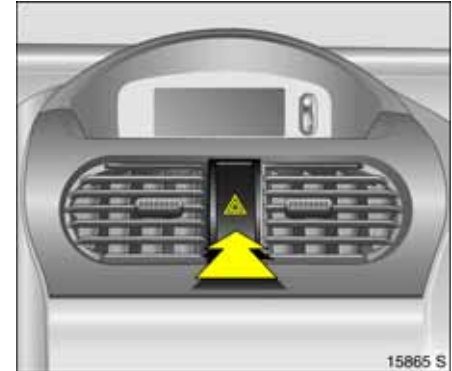
- Headlight flash = pull stalk towards steering wheel
- Main beam = stalk forwards
- Dipped beam = stalk forwards again

Main beam, headlight flash – page 89.



Switch on turn signal lights:
right = stalk up
left = stalk down

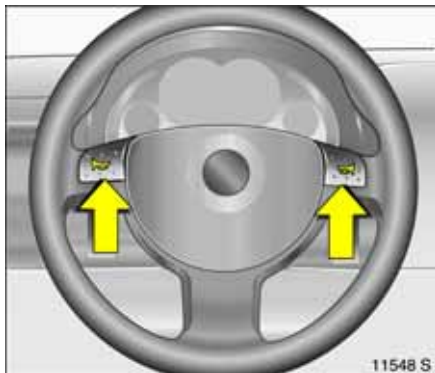
6 Turn signal lights – page 89.



Hazard warning lights:

- on = press
- off = press again

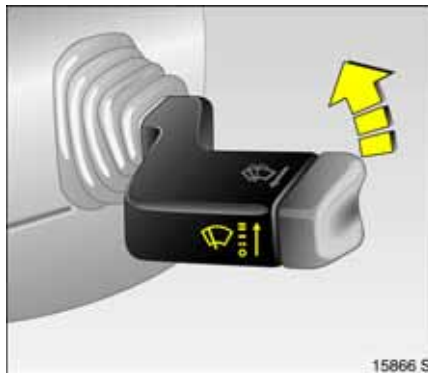
6 Hazard warning lights – page 90.



Operate horn:

j press right or left

6 Airbag system – page 56,
remote control on steering wheel 3 –
page 92.



Wiper:

Move stalk up

§ = off

§ = adjustable timed interval
wipe

% = slow

& = fast

6 wiper – page 87,
adjustable timed interval wipe 3 –
page 87,
further notes – pages 160, 185.



Operating windscreen system:


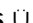
Move stalk toward steering wheel

The wiper will swipe for a few strokes.

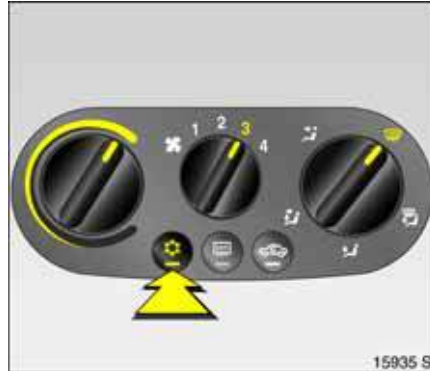
6 Screen wash system – page 87,
further notes – pages 160, 185.


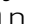


Heated rear window,
heated exterior mirrors:

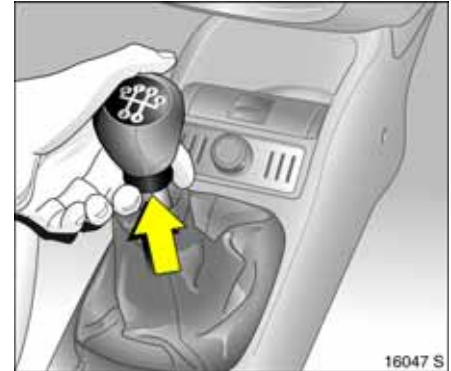
on = press 
off = press  again

6 Air conditioning – page 94,
heated rear window – page 95.



To clear misted or icy windows:
Turn rotary switch for
temperature and air flow
clockwise,
set air distribution to  ;
Air conditioning system 3:
Also press button 

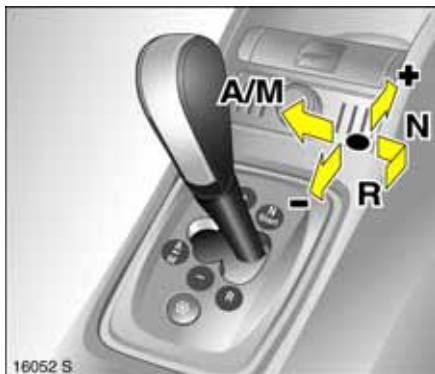
6 Climate control system 3 – page 94.



Manual transmission:

Reverse gear: with vehicle stationary, three seconds after de-clutching pull the ring up and engage gear.

If the gear does not engage, set the lever in neutral, release the clutch pedal and depress again; then repeat gear selection.



Easytronic 3:

- N** = Idle/start position
- = Drive position (centre position)
- +** = Higher gear
- = Lower gear
- A/M** = Switch between Automatic and Manual mode.
- R** = Reverse gear (with selector lever lock)

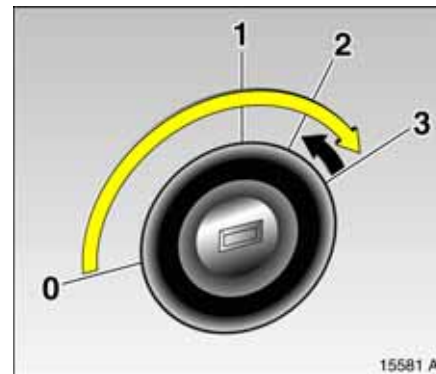
To move the selector lever from **N** to **R** press the button on the lever.

Only start in **N** with foot brake applied.

6 Easytronic 3 – page 102.

Before starting off, check:

- z Tyre pressure and tyre condition, see pages 126, 170.
- z Engine oil level and fluid levels in engine compartment, see pages 179 to 185.
- z All windows, mirrors, exterior lighting and number plates are free from dirt, snow and ice and operational.
- z Do not place any objects in front of the rear window, on the instrument panel or in the area in which the airbags inflate.
- z Seats, seat belts and mirrors are correctly adjusted.
- z Check brakes.



To start engine:

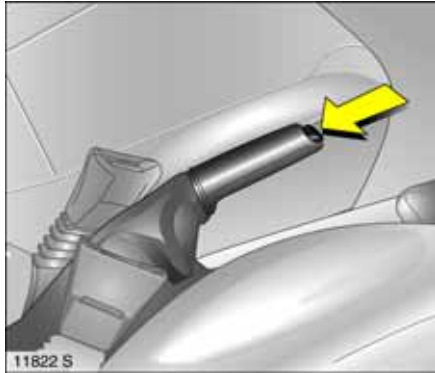
Operate clutch and brake, Easytronic 3 in **N**, do not accelerate, petrol engine: key to 3; diesel engine: key to 2, when control indicator ! goes out¹⁾, key to 3; release key once engine is running

Before restarting or switching off the engine, turn key back to 0.

To switch on the ignition, only turn the key to 2.

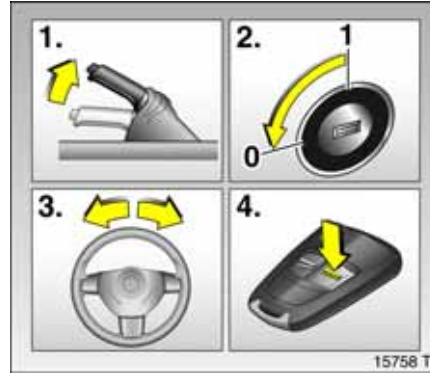
6 Electronic immobilizer – Page 21,
Diesel fuel system – Page 132.

¹⁾ Preheating system switches on only if outside temperature is low.



Releasing the hand brake:
 Raise lever slightly,
 press lock button,
 lower lever fully

6 Hand brake – page 124.



Parking the vehicle:
 Apply hand brake firmly,
 engine off,
 remove key,
 lock steering wheel,
 lock vehicle

To lock and activate the Vauxhall alarm system 3, press button p . To activate the anti-theft locking system 3 and Vauxhall alarm system 3, press button p twice.

6 Further information – see pages 21, 108,
 radio remote control – see page 22,
 central locking system – see page 24,
 Vauxhall alarm system 3 – see page 31,
 vehicle decommissioning – see page 187.

Advice when parking:

- z Do not park the vehicle on flammable ground as combustion could occur due to the high exhaust temperatures.
- z Always apply the hand brake firmly. Apply the hand brake as firmly as possible on uphill or downhill slopes. To reduce operating forces, depress foot brake at the same time.
- z Close windows and Retractable steel roof.

- z With manual transmission, select first gear or reverse gear, with Easytronic 3 move selector lever to centre position before switching ignition off.
- z On vehicles with Easytronic 3 control indicator R flashes for a few seconds after the ignition is switched off if the hand brake has not been applied– see page 106.
- z Turn steering wheel until lock is felt to engage (anti-theft protection) after first withdrawing the ignition key.
- z The engine cooling fans may run after the engine has been switched off, see page 178.
- 6 Further information – see pages 186, 187.

9 Warning

Carry out regularly the checks recommended in the individual sections of this Owner's Manual.

Ensure that your vehicle is serviced at the service intervals specified in the Service Booklet. We recommend that you entrust this work to your Vauxhall Authorised Repairer.

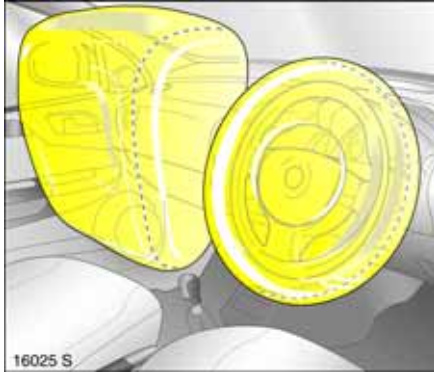
Have faults remedied without delay! Consult a workshop. We recommend your Vauxhall Authorised Repairer. If necessary, interrupt your journey.

6 Maintenance – see page 162.

That was the most important information for your first drive in your Tigrā in brief.

The other pages of this chapter contain a description of some interesting functions in your vehicle.

The remaining chapters of the Owner's Manual contain important information on operation, safety and maintenance as well as a complete index.

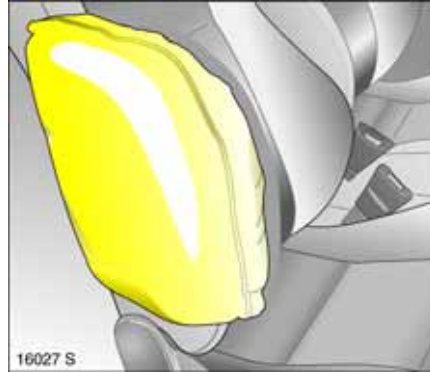


Airbag System

The airbag system consists of several separate systems.

Front airbag system

The front airbag system will be triggered in the event of a serious accident involving a frontal impact and forms safety cushions for the driver and front passenger. The forward movement of the driver and front passenger is checked and the risk of injuries to the upper body and head thereby substantially reduced.



Side airbag system

The side airbag is triggered in the event of a side-on collision to form a safety cushion for the driver or front passenger in the respective door area. This substantially reduces the risk of injury to the upper body and pelvis.

6 Airbag systems – page 56.



Operating menus in the information display 3

Menu options are selected using menus and using the buttons/four-way button or the multi-function button of the Infotainment system 3 or the buttons 3 on the steering wheel. The respective menu options are shown on the display.

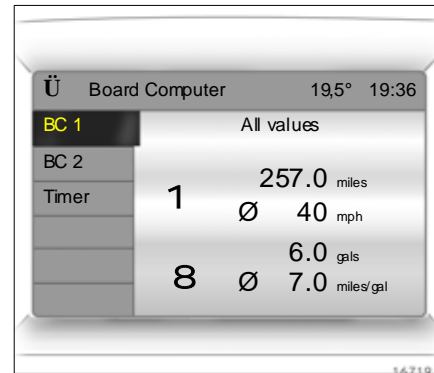
Selection using four-way button:
press four-way button at top, bottom, left or right.



Selection using multi-function button 3: rotate and press multi-function button. To exit a menu, turn the multi-function button left or right to **Return** or **Main** and select.



To select with steering wheel buttons 3 Select menu options via the menus and the buttons.
6 Information Display – page 76.



Trip computer 3

The trip computers provide information on driving data, which is continually recorded and evaluated electronically.

Functions:

- z Range
- z Instantaneous consumption
- z Distance travelled
- z Average speed
- z Effective consumption
- z Average consumption
- z Stop watch

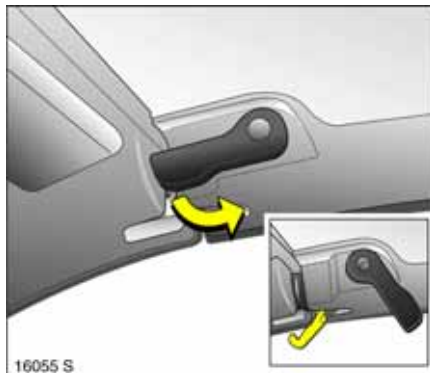
6 Board computer – see page 83.



Opening Retractable steel roof

Only with vehicle stationary.

- z Engage hand brake.
- z Engage the luggage compartment partition in the rear position.
- z Place no objects in front of the rear window or in front of the luggage compartment partition.
- z Close the boot lid.



- z Release the locking levers on upper right and left of the window frames, pulling both levers all the way down. The retaining hook must unhook.

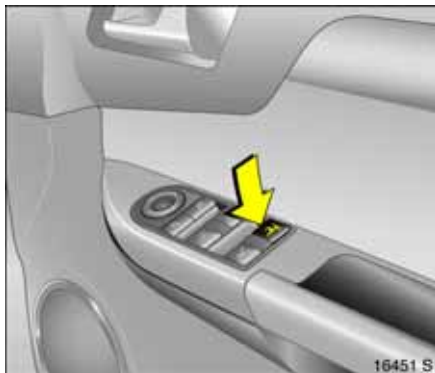


- z Switch on ignition.
- z Pull S until the roof is completely open and the boot lid is closed.

An acoustic signal sounds at the beginning and end of the procedure.

If the hand brake is not engaged, the roof lock is not released or the luggage compartment partition is not folded back when button S is actuated, a warning buzzer sounds and the roof does not open.

6 Retractable steel roof – see page 37.



Closing Retractable steel roof

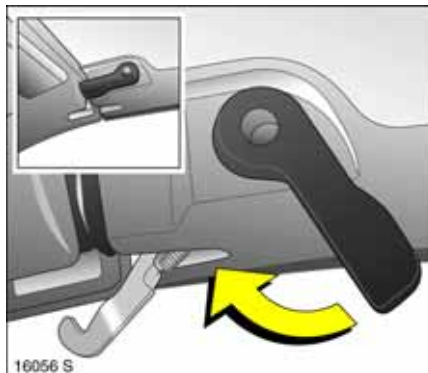
Only with stationary vehicle and closed boot lid.

The luggage compartment partition must be engaged in its rear position. Do not place any objects in front of the luggage compartment partition.

- z Engage hand brake.
- z Switch on ignition.
- z Press S until the roof and boot lid are completely closed.

An acoustic signal sounds at the beginning and end of the procedure.

If button S is actuated when the hand brake is not engaged, a warning buzzer sounds and the roof remains open.



- z Move the locking levers on right and left of the window frames all the way up. Each retaining hook must engage and the roof must lock securely.

6 Retractable steel roof – see page 37.



Parking distance sensor 3

When reverse gear is selected, the Parking distance sensor switches itself on automatically.

If the vehicle approaches an obstacle when reversing, a series of signals can be heard in the vehicle interior. The interval between the signals becomes shorter as the distance is reduced. If the distance is less than 30 cm, the signal will be continuous.

6 Parking distance sensor 3 – page 122.

Keys, doors, windows, Retractable steel roof

Replacement keys	20
Car Pass.....	20
Key with retractable key blade 3	20
Electronic immobilizer	21
Radio remote control	22
Central locking system	24
Operating central locking system with key in driver's door lock	27
Luggage compartment	27
Vauxhall alarm system 3	31
Exterior mirrors.....	34
Interior mirror	34
Electric windows.....	35
Retractable steel roof.....	37
Wind deflector 3.....	45

Replacement keys

The key number is specified in the vehicle documents and in the Car Pass 3.

The key is a constituent of the electronic immobilizer. Ordering keys from a Vauxhall Authorised Repairer guarantees problem-free operation of the electronic immobilizer.

Keep the spare key in a safe spot.

Locks, see page 160.

Car Pass

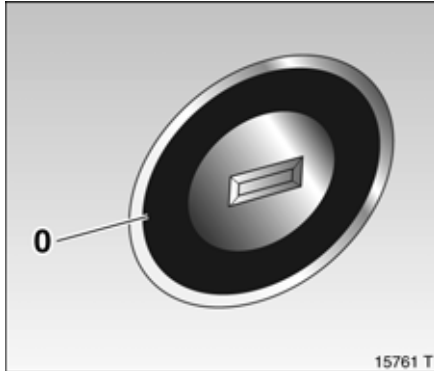
The Car Pass contains all of the vehicle's data and should therefore not be kept in the vehicle.

Have your Car Pass on hand when consulting a Vauxhall Authorised Repairer.



Key with retractable key blade 3

Press button to extend. Press button to retract; key section engages audibly.



Electronic immobilizer

Using a transponder housed in the key, the system checks whether the vehicle may be started using the key that has been inserted. If the key is recognised as "authorised" the engine can be started.

The electronic immobilizer activates automatically when the key is removed from the starter switch.

The code number of the electronic immobilizer is given in the Car Pass.



Control indicator for immobilizer A

Control indicator A illuminates briefly when the ignition is switched on.

If the control indicator flashes when the ignition is on, there is a fault in the system; the engine cannot be started. Switch off the ignition and then repeat the start attempt.

If the control indicator A continues to flash, try to start the engine using the second key and contact a workshop for assistance.

If control indicator A illuminates after the engine is started, there is a fault in the engine electronics or transmission electronics 3 (see pages 69, 107, 115) or there is water in the diesel fuel filter 3, see page 181.

Note

The immobilizer does not lock the doors. Therefore, always lock vehicle before leaving unattended and enable Vauxhall alarm system 3 see page 24.

Radio remote control

Depending on equipment level, the vehicle comes equipped with one of the remote controls depicted on this page.

The radio remote control is integrated in the key.

Used to operate:

- z central locking system,
- z mechanical anti-theft locking system 3,
- z Vauxhall alarm system 3.

The windows can also be closed using the radio remote control.



The radio remote control has a range of approx. 5 metres. This range can be affected by outside influences. Aim the remote control at the vehicle to operate.

Handle the radio remote control with care, protect it from moisture and high temperatures and avoid unnecessary operation.

The hazard warning lights come on to indicate that the remote control is operational.



Central locking system,
see page 24.

Mechanical anti-theft locking system 3,
see page 25.

Vauxhall alarm system 3,
see page 31.

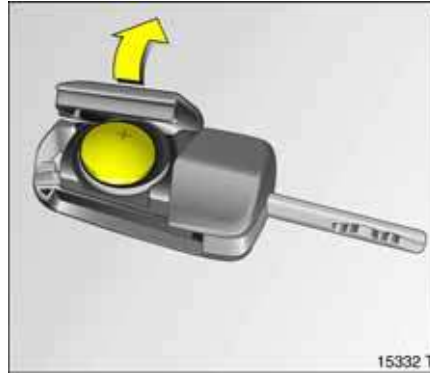
Electric windows,
see page 35.

Fault

If the central locking system cannot be operated with the radio remote control, it may be due to the following:

- z The range of the radio remote control has been exceeded.
 - z Radio remote control battery voltage is too low.
 - z Frequent, repeated operation of the radio remote control outside the reception range of the vehicle (e.g. too far from vehicle, remote control is then no longer recognised). See remote control synchronisation.
 - z If the central locking system is overloaded as a result of repeated operation at short intervals. The power supply is cut off for a brief period.
 - z Interference from higher-power radio waves from other sources.
- To eliminate the cause of a fault, we recommend contacting a workshop for assistance.

Open driver's door with key – see page 27.



Remote control battery replacement

Replace the battery as soon as the range of the radio remote control begins to shrink.

Key with retractable key blade, see Fig. 15330 T on previous page.

Extend key, see page 20. Open radio remote control. Replace battery (battery type, see page 172) noting installation position. Close radio remote control.

Make sure that you dispose of old batteries in accordance with environmental protection regulations.

Key with fixed blade, see Fig. 15331 T on previous page.

Have the workshop change the battery.

In the event of a functionality problem or battery replacement, synchronize the radio remote control.

After changing the battery, unlock the door using the key in the lock, see overleaf. The radio remote control is synchronized by inserting the key in the ignition lock.



Central locking system

For doors, boot lid/tailgate and tank flap.

To unlock

Unlock driver's door only

Press button **q** on remote control once.

Unlock entire car

Press button **q** on remote control twice.

The vehicle can also be unlocked by pulling the door handles if the anti-theft locking system is disabled.

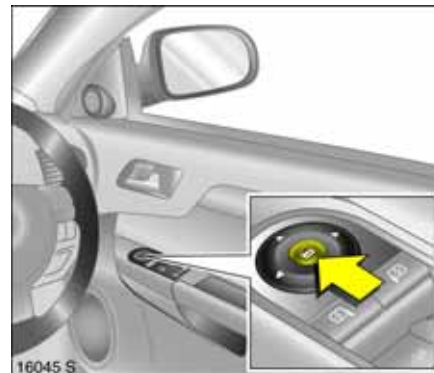


To lock

Close doors, luggage compartment and tank flap.

Press button **p** on radio remote control.

– or from the inside –



Press button **m** in the door.

The vehicle can be locked even if the driver's door is open. Risk of being locked out.



Mechanical anti-theft locking system 3,

9 Warning

Do not use the system if there are people in the vehicle! The doors cannot be unlocked from inside.

All doors must be closed. No more than 10 seconds after locking, press button p on the radio remote control again.

Lock buttons on all doors are positioned such that doors cannot be opened.

If the ignition was on, the driver's door must be opened and closed once so that the vehicle can be secured.

Note

- z 30 seconds after unlocking using the radio remote control the doors lock again automatically if no door is opened.
- z To lock the doors from inside (e.g. to prevent unwanted entry from outside), press central locking switch m in the door trim.

- z The vehicle can be locked without the need for the key. With the driver's door open, press central locking switch m in the door trim and then close the driver's door. Note that unintentional actuation could cause one to be locked out.
- z Locked doors and luggage compartment unlock automatically in the event of an accident of a certain severity (to permit outside assistance). Prerequisite: Ignition must not be switched off.

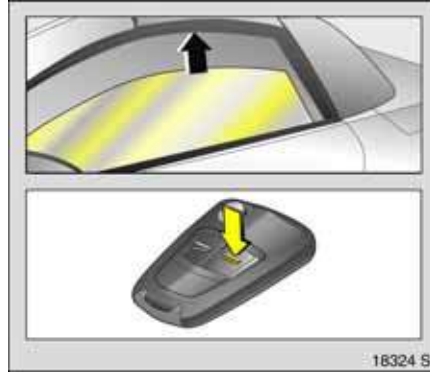
Closing windows from outside

9 Warning

Exercise care when operating electric windows. Risk of injury, especially for children.

Vehicle passengers should be informed accordingly.

Keep a close watch on the windows when closing them. Ensure that nothing becomes trapped in them as they move.



The windows can be closed from outside: hold button **p** on the remote control depressed until the windows are completely closed.

Further information on electric windows, see page 35.

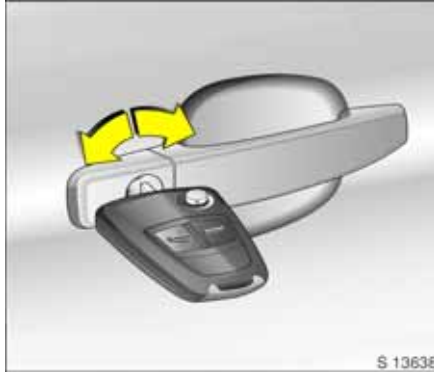
Fault

If the central locking cannot be operated, this can be for one of the following reasons:

- z If the central locking system is overloaded as a result of repeated operation at short intervals. The power supply is cut off for a brief period.
- z Defective fuse in fuse box, see page 148.

To eliminate the cause of a fault, we recommend contacting a workshop for assistance.

Operate driver's door with key, see overleaf.



Operating central locking system with key in driver's door lock

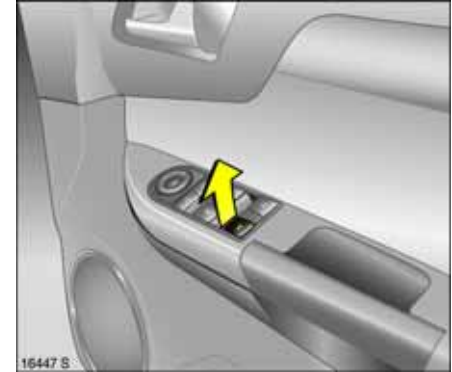
To unlock

Turn key forward in lock as far as it will go. Turn key back to vertical position and remove.

If the anti-theft locking system 3 is engaged, only the driver's door will unlock. To unlock the entire car: switch on the ignition, press central locking switch m and pull the driver's door handle.

To lock

With doors closed, turn key towards rear of vehicle as far as it will go. Turn key back to vertical position and remove.



Luggage compartment

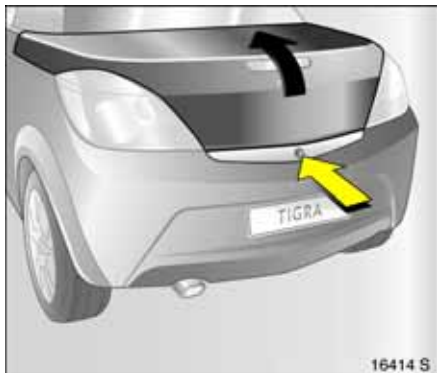
To open with the button in the door

1. Unlock entire vehicle – see page 24.

2. Apply hand brake.
3. Switch on ignition.
4. Briefly press button R. The opening process begins after a slight delay.

A second press of the button stops the boot lid from opening.

If the hand brake is not engaged when the button is pressed, a warning buzzer sounds and the luggage compartment remains closed.

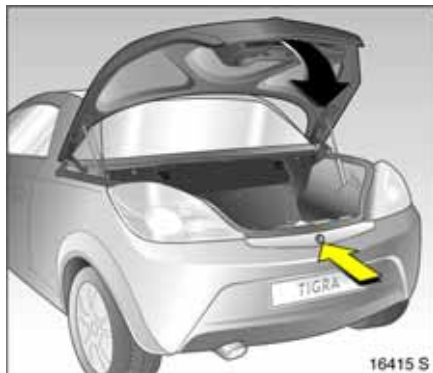


To open with the button beneath the boot lid

1. Unlock entire vehicle – see page 24.
2. Briefly press the button beneath the boot lid. The opening process begins after a slight delay.

A second press of the button stops the boot lid from opening.

If the ignition is on but the hand brake is not applied when the button is pressed, a warning buzzer sounds and the luggage compartment remains closed.



To close

Press the button below the boot lid until the boot lid is completely closed.

If the ignition is on but the hand brake is not applied when the button is pressed, a warning buzzer sounds and the luggage compartment closes.

A tone sounds when the boot lid is completely closed. Locking of the boot lid is indicated by a single flash of the hazard warning lights.

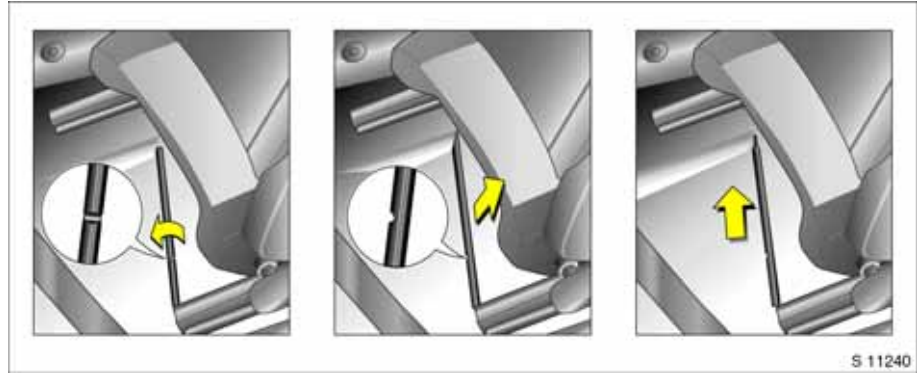


Fault

The luggage compartment lid can only be operated if the roof has been fully and correctly closed or opened beforehand.

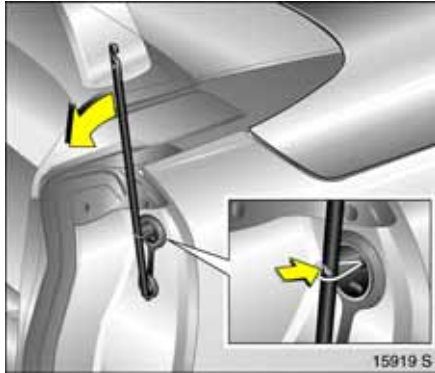
In the event of automatic drive malfunction or loss of battery power, the boot lid is manually opened as follows:

1. Open the driver's door.
2. Fold down the driver's seat backrest. The tool is fastened underneath the seat.

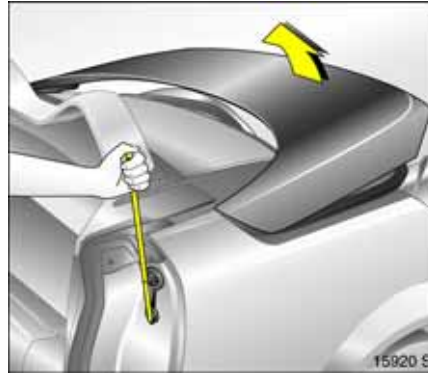


3. Turn the tool 90° to the right to remove.
4. Pull the front of the tool upward and out of the flooring.

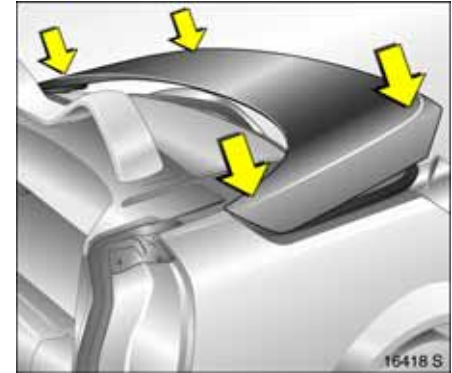
5. Pull the tool forward out of the flooring.



6. Open and fold down the cover of the emergency release cable. Pull the cable out slightly.
7. Insert the tool through the eye of the emergency release cable. Support the rounded end of the tool on the cover as illustrated. The eye of the emergency release cable must lie in the groove on the tool.



8. Have a second person hold the rear of the boot lid down. Pull the tool forward to release the boot lid in the rear.
9. Carefully open the boot lid by hand. Refit the emergency release cable in the opening and refit the cover. Do not close the car door if the cover is open.



- To close the boot lid, have a second person help you press it down and engage it in the lock.
- Have the cause of the fault eliminated by a workshop.

Vauxhall alarm system 3

monitors

z doors, luggage compartment, bonnet

z the passenger compartment

z vehicle tilt, e.g. if it is raised

z the ignition.

9 Warning

Do not use the system if there are people in the vehicle! The doors cannot be unlocked from the inside.

**To activate**

All doors, windows, Retractable steel roof, luggage compartment and bonnet must be closed. Press button p on the remote control to lock all the doors and activate the Vauxhall alarm system 3.

If the ignition was switched on, the driver's door must be opened and closed once so that the Vauxhall alarm system can be switched on.

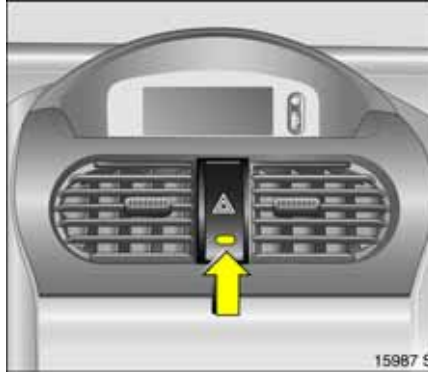


Activation without monitoring of passenger compartment and vehicle tilt
e.g. if animals are to be left in the vehicle.

1. The luggage compartment, Retractable steel roof and bonnet must be closed.
2. Press the button in front of the courtesy light (with ignition off); LED in hazard warning light button flashes a maximum of 10 seconds. See next page.
3. Close doors.

4. Activate the Vauxhall alarm system. The LED in the hazard warning light button illuminates. After approx. 10 seconds, the Vauxhall alarm system is activated without monitoring of the passenger compartment or vehicle tilt. The LED in the warning light button flashes until the Vauxhall alarm system is deactivated.

Passenger compartment monitoring is deactivated if the Retractable steel roof is open to prevent false alarms.



Light emitting diode (LED)

During the first 10 seconds of Vauxhall alarm system activation:

- z LED comes on = Test, switch-on delay,
- z LED flashes quickly = Door, luggage compartment or bonnet open, system fault.

After the first 10 seconds of Vauxhall alarm system activation:

- z LED flashes slowly = System switched on,
- z LED comes on for approx. 1 second = Switch-off function.

If a system fault occurs, contact a workshop for assistance.

**To deactivate**

Press button q of the radio remote control
– or –
turn on ignition.

If there is a fault in the radio remote control,
unlock vehicle as described on page 27.

If the alarm is triggered when the driver's
door is opened, deactivate the Vauxhall
alarm system by switching on the ignition.

Note

z Changes to the vehicle interior, such as
the use of seat covers, could impair the
function of passenger compartment
monitoring.

Alarm

An alarm can be triggered whilst the
Vauxhall alarm system is switched on:
z an acoustic signal (horn) and
z a visual signal (hazard warning lights).

The number of alarms and the duration
thereof are stipulated by law.

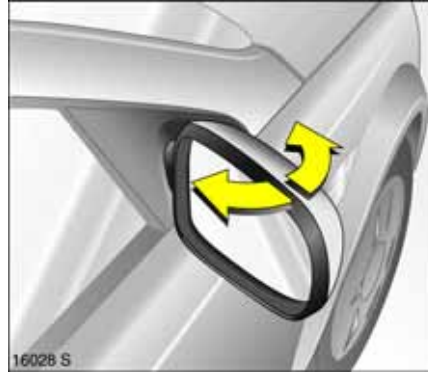
The alarm can be silenced by pressing
a button of the radio remote control or
by switching on the ignition. The Vauxhall
alarm system is deactivated at the same
time.



Exterior mirrors

Adjustment using the four-way switch in the driver's door. Press mirror switch right or left: Four-way switch adjusts corresponding mirror.

Aspherical exterior mirror 3 increases the field of view. Estimating the distance away of vehicles following you is only possible to a limited extent because of slight distortion.



Swinging in exterior mirror

For the safety of pedestrians, the exterior mirrors will swing out of their normal mounting position if they are bumped with sufficient force. Reposition the mirror by applying slight pressure to the mirror housing.



Interior mirror

To adjust, swivel mirror housing.

Swivel lever on underside of mirror housing to reduce dazzle at night.

Electric windows

9 Warning

Exercise care when operating electric windows. Risk of injury, especially for children.

Vehicle passengers should be informed accordingly.

Keep a close watch on the windows when closing them. Ensure that nothing becomes trapped in them as they move.

Ready for operation when the ignition is on.



Operation with two switches in the driver's door handle for the driver's and passenger window. Additional switch in passenger door handle.

To operate window in stages, briefly pull or push relevant window switch. For automatic opening or closing, pull or push switch longer; push or pull switch again to stop movement.

Automatic closing is not possible during Retractable steel roof operation.

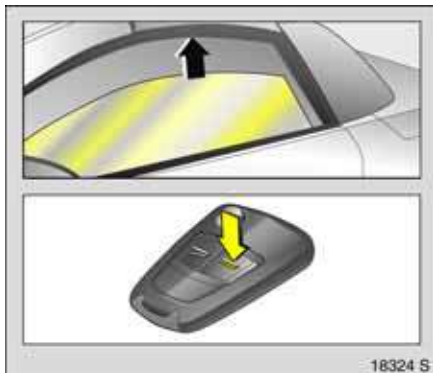
When a door is opened, the window of that door opens a slit. It closes automatically after the door is closed.

When the Retractable steel roof is opened or closed, the windows open a slit. They close automatically once the Retractable steel roof is completely opened or closed.

Safety function

If the window glass encounters resistance above the middle of the window during automatic closing, it is immediately stopped and the window opened again.

If the windows do not move easily because of frost, for example, repeatedly tap the switch for the window in question until the window has been closed in stages.



Closing windows from outside

Press button **p** on the remote control until the windows are closed.

Overload

If the windows are repeatedly operated at short intervals, the power supply is briefly cut off.

The system is protected by fuses in the fuse box, see page 148.

Fault

The windows cannot be automatically opened or closed.

Activate electronic windows as follows:

1. Close doors.
2. Switch on ignition.
3. Window completely open.
4. Close the windows and hold the switch pressed for at least another second.
5. Repeat for each window.

Retractable steel roof

The Retractable steel roof, a foldable steel top, enables the Tigra to combine the attributes of a coupe and a convertible.

⚠ Warning

Exercise care when operating the roof.
Risk of injury.

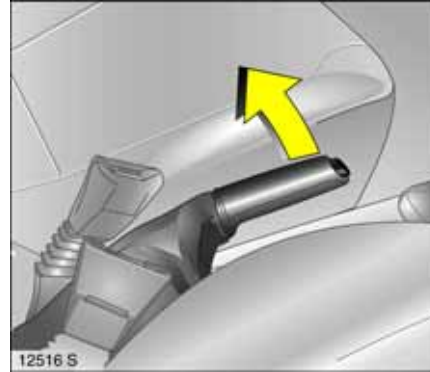
Pay close attention to the roof's movement zone during operation. Make sure that nothing could become trapped.

Make sure no one is in the movement zone during roof operation. Risk of injury.

Before operating the roof in garages, parking garages or the like, check the amount of vertical clearance available.

Vehicle passengers should be informed accordingly.

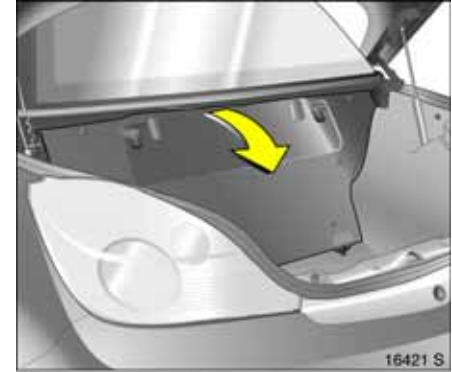
Before leaving the vehicle, remove the ignition key in order to prevent unauthorised operation of the windows and sun roof.



Opening the roof

Only with vehicle stationary.

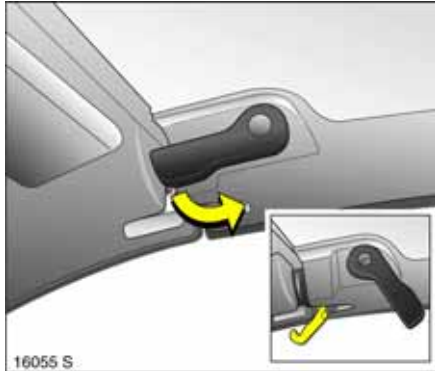
Apply hand brake.



Engage the luggage compartment partition in the rear position.

Place no objects in front of the rear window or in front of the luggage compartment partition.

Close luggage compartment lid, see page 27.



Release the locking levers on upper right and left of the window frames, pulling both levers all the way down. Both retaining hooks must unhook.



Switch on ignition.

Pull S until the roof is completely open and the boot lid is closed.

An acoustic signal sounds at the beginning and end of the procedure.

If the hand brake is not engaged, the roof lock is not released or the luggage compartment partition is not folded back when button S is actuated, a warning buzzer sounds and the roof does not open.



Closing the roof

Only with stationary vehicle and closed boot lid.

The luggage compartment partition must be engaged in its rear position. Do not place any objects in front of the luggage compartment partition.

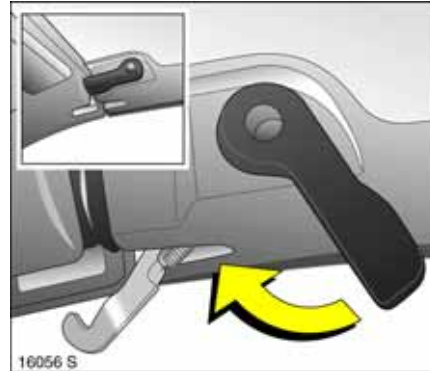
Apply hand brake.

Switch on ignition.

Press S until the roof and boot lid are completely closed.

An acoustic signal sounds at the beginning and end of the procedure.

If button S is actuated when the hand brake is not engaged, a warning buzzer sounds and the roof remains open.



Push the locking levers on the right and left side of the window frame all the way up.

The retaining hooks must engage in the corresponding recess and the roof must securely lock.

Note

- z A warning buzzer sounds for 5 seconds after the hand brake is released and the vehicle starts off if the roof has not been properly closed or opened. Remedy this by stopping the vehicle and repeating the closing or opening procedure.
- z Frequent operation of the roof with the engine switched off will discharge the battery.

Fault

Automatic roof operation is only functional if the roof has been properly closed or opened beforehand.

Check if:

- z the hand brake is applied
- z the ignition is on
- z the luggage compartment partition is locked in the rear position
- z the boot lid is completely closed
- z the locking levers are unlocked.

If a fault occurs while the roof is opening or closing, the roof stops in its current position.

A warning buzzer sounds after 2 minutes.

After an additional minute, power to the system is cut-off. The roof then moves automatically back to the luggage compartment or toward the windscreen frame. In order to close completely, open both windows, remove the key and carry out the missing steps of the following description for loss of automatic drive.

If there is a fault in the automatic drive or loss of battery power, the fully opened roof can be manually closed as follows:

1. Park the vehicle and apply the hand brake.
2. Open both windows or open the doors.
3. Switch off the ignition and remove the key.

4. Open the luggage compartment. If the battery has become discharged or there is a malfunction in boot lid operation, the boot lid must be opened manually; see page 29.

⚠ Warning

Exercise care when operating the roof.
Risk of injury. Risk of pinching.

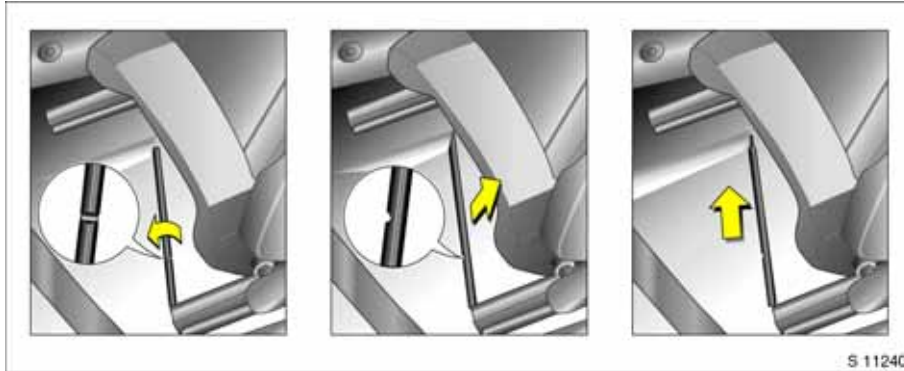
Make sure that nothing could become trapped.

Vehicle passengers should be informed accordingly.

Closing the roof manually requires 2 persons and the use of great care.

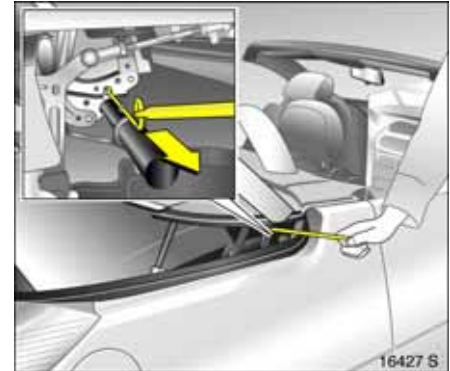


5. Fold down the driver's seat backrest. The tool is fastened underneath the seat.

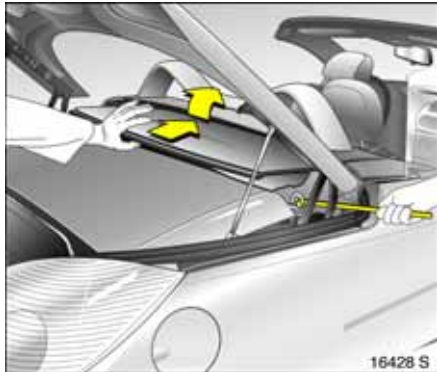


6. Turn the tool 90° to the right to remove.
7. Pull the front of the tool upward and out of the flooring.

8. Pull the tool forward out of the flooring.



9. Use the tool to forcefully pull the lock bar to unlock the cover in front of the rear window. The lock bar is on the right side of the car below the cover.

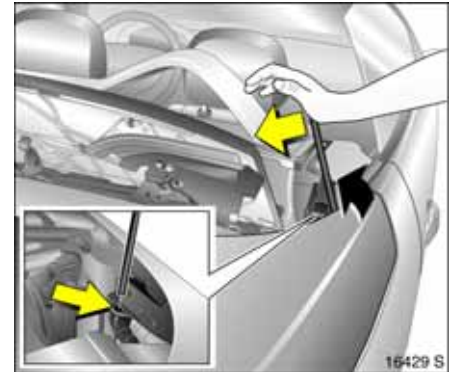


10. With the lock bar pulled, have a helper pivot the cover upward by hand. The noise arising from this is normal.



11. Press the button below the boot lid until the boot lid is completely closed. See page 28.

If this is not possible, force the boot lid closed again as illustrated; it must completely engage in the rear lock.



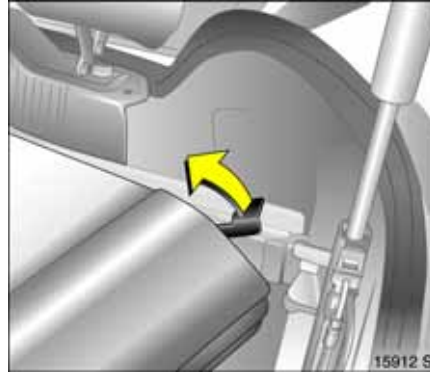
12. Release the front catches of the boot lid using the tool by inserting the tool in the guide and pressing the upper end inward; see figure. At the same time, pull the boot lid slightly upward out of the catch. Carry out the procedure on the right and left.



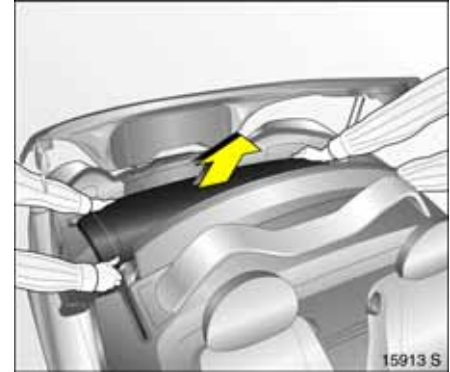
13. With two people working simultaneously on the right and left, open the boot lid rearward to its end position. Do not twist or tilt the boot lid when doing so.

⚠ Warning

Luggage compartment does not remain in open position.



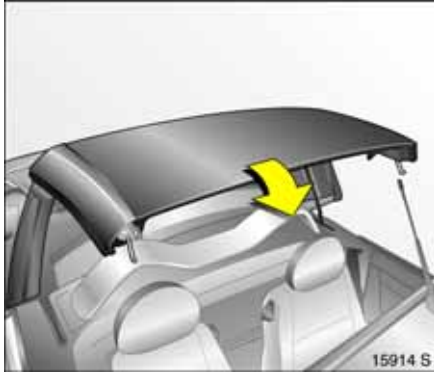
14. Release the roof retainer at the rear left of the luggage compartment partition by raising the release lever.



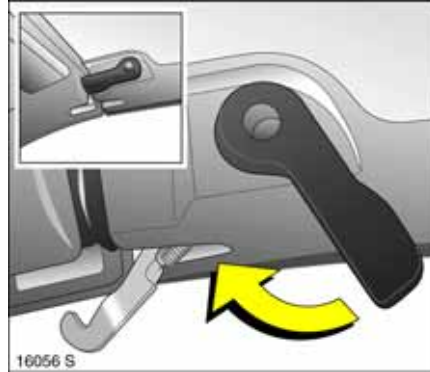
15. With the aid of a second person, carefully and slowly pull the roof upward. Grip the roof at the sides and pull forward. Make sure that the boot lid is completely open.

⚠ Warning

Caution. Risk of pinching.

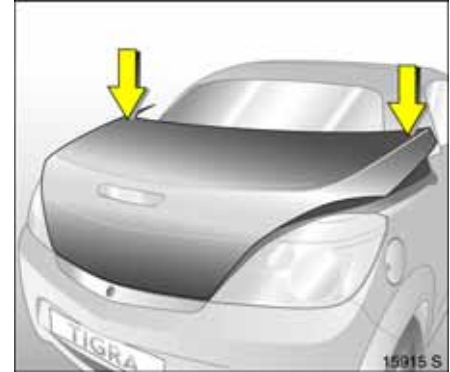


16. Pull the roof up to the windscreen frame.



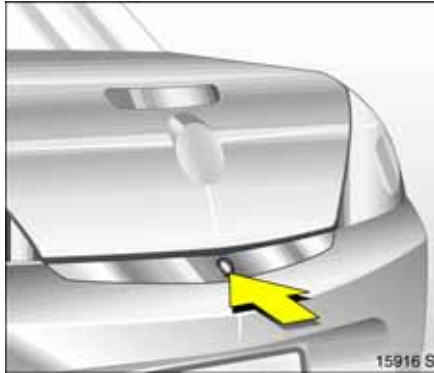
17. Push the locking levers on the right and left side of the window frame all the way up.

The retaining hooks must engage in the corresponding recess and the roof must securely lock.

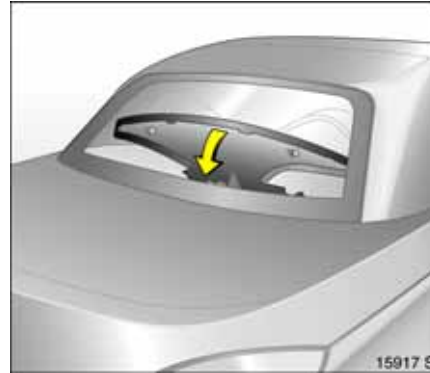


18. Have a second person help to force the boot lid closed simultaneously on the right and left. It must engage in the locks.

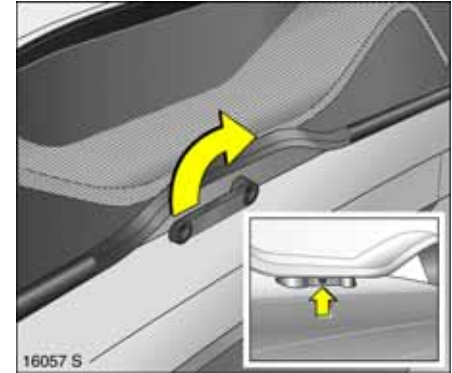
Do not twist or tilt the boot lid.
The closed boot lid is not locked.



19. Next, if possible open and close the boot lid once using the button below the boot lid. The boot lid is then locked.



20. Press down the cover in front of the rear window.
It is not possible to open the roof if there is a malfunction in automatic operation.
Have the cause of the fault eliminated by a workshop.



Wind deflector 3

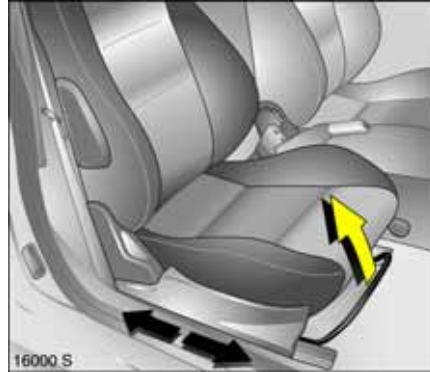
Install the wind deflector to reduce wind turbulence, draught and noise in the passenger compartment when the Retractable steel roof is open.

Insert the wind deflector in the opening in the centre of the rollover protection and fasten it with the crank.

When removed, store the wind deflector in the luggage compartment.

Seats, Interior

Front seats	46
Head restraints	48
Luggage compartment partition	49
Three-stage safety system.....	50
Three-point seat belts	50
Belt tensioners.....	52
Using the belts	54
Child restraint systems 3	55
Airbag System.....	56
Cigarette lighter 3	65
Accessory socket 3.....	65
Ashtray 3	66
Stowage compartments.....	66
Coin holder 3	67
Sun visors.....	67



Front seats

⚠ Warning

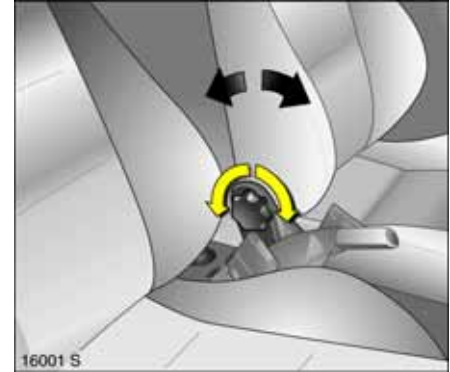
Never adjust seats during driving, as they can move uncontrollably.

Adjust seat longitudinally

To adjust, pull the handle on the front seat, slide the seat and release the handle.

⚠ Warning

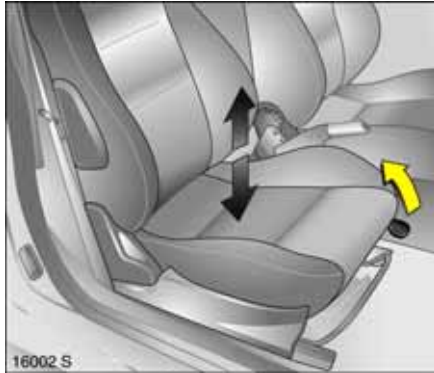
Do not sit nearer than 10 inches (25cm) from the steering wheel, to permit safe airbag deployment.



Adjusting the backrest

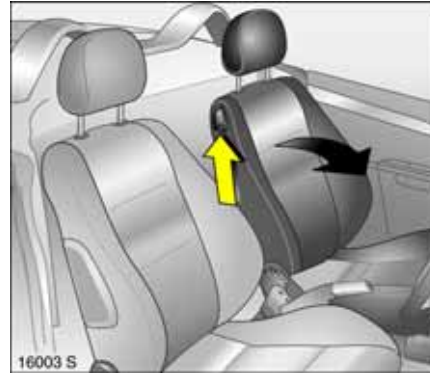
To adjust, turn side handwheel on the seat while releasing the load on the backrest.

Move seat backrest to suit seating position.



Adjusting the seat height

To adjust, lift lever and relieve some weight from seat to raise it or press down on seat with body weight to lower it.



Fold backrest forward

To fold the backrest forwards, e.g. to reach the storage compartment behind the seats, lift release lever.



Seat position

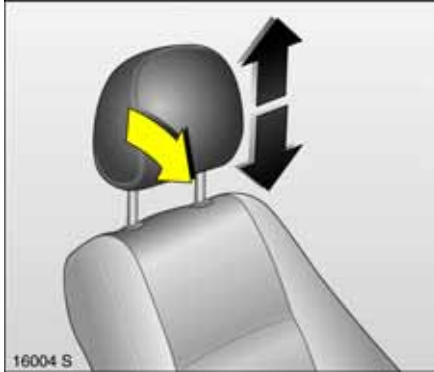
Adjust driver's seat such that with the driver sitting upright the steering wheel is held in the area of its upper spokes with the driver's arms slightly bent.

Push passenger seat as far back as possible.

The seat backrests must not be tilted too far back (recommended tilting angle approx. 25°).

9 Warning

Failure to observe the descriptions could lead to injuries which could be fatal. Vehicle passengers should be informed accordingly before starting off.



Head restraints

Adjustment

To adjust the head restraints, hold at side, tilt forwards, hold and adjust height. Allow head restraints to engage after adjustment.

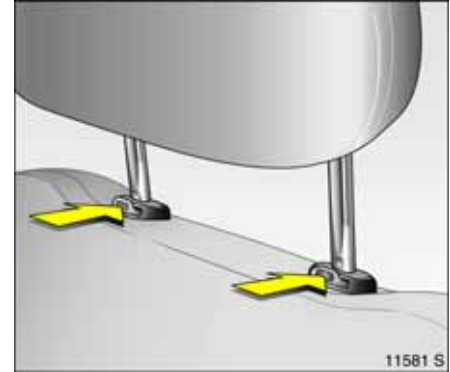


Head restraint position

The middle of the head restraint should be at eye level. If this is not possible for extremely tall persons, set to highest position, and set to lowest position for small persons.

⚠ Warning

Failure to observe the descriptions can lead to injuries which could be fatal. Vehicle passengers should be informed accordingly before moving away.

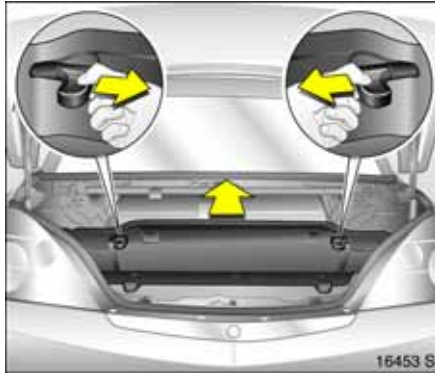


Removing the head restraints

To remove head restraints, release both springs by pressing and detach head restraint upwards.

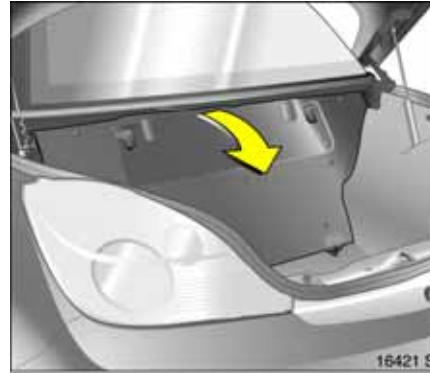
Note

Only approved objects or components should be attached to the head restraint of the unoccupied front passenger seat.



Luggage compartment partition

When the Retractable steel roof is closed, the partition can be folded forward to enlarge the luggage compartment: pull both catches inward and fold the partition forward until it engages.



If the Retractable steel roof is to be opened, pull the centre of the partition, release it and fold it rearward until it engages.

Place no objects in front of the luggage compartment partition.

Three-stage safety system

Comprising:

- z Three-point seat belts.
- z Belt tensioners at the seats.
- z Airbag systems for driver and front passenger.

The three stages are activated in sequence depending on the severity of the accident:

- z The automatic seat belt locking devices prevent the belt strap from being pulled out and thus ensure that the vehicle occupants are retained in their seats.
- z The seat belts are pulled down at the belt buckles. This means the belts fit snugly, the occupants are decelerated early with the vehicle and the body loading is reduced.
- z The airbag systems are also triggered in the event of severe accidents and form a safety cushion for the occupants.

9 Warning

The airbag systems serve to supplement the three-point seat belts and belt tensioners. The seat belts must therefore always be worn. Disregard of these instructions may lead to injuries or endanger life. Vehicle passengers should be informed accordingly.

Always read the instructions provided with the child restraint system!



Three-point seat belts

The vehicle is equipped with three-point seat belts with automatic retractors and locking devices, allowing freedom of body movement although the spring tensioned belts always ensure a snug fit.

For information on correct seating position – see pages 47, 48, 56.

The belt has a "vehicle sensitive retractor" which is designed to lock during heavy acceleration or deceleration in any direction.

9 Warning

Put on your seat belt before each trip – even in urban traffic – it can save your life!
Pregnant women must always wear a seat belt – see page 54.

In the event of an accident, persons not wearing seat belts endanger their fellow occupants and themselves.

Control indicator X 3 for the seat belt – see page 68.

Seat belts are designed to be used by only one person at a time. They are not suitable for anyone under 12 years of age or 150 cm.

For children up to 12 years of age, we recommend the Vauxhall child restraint system – see page 55.

Testing the belts

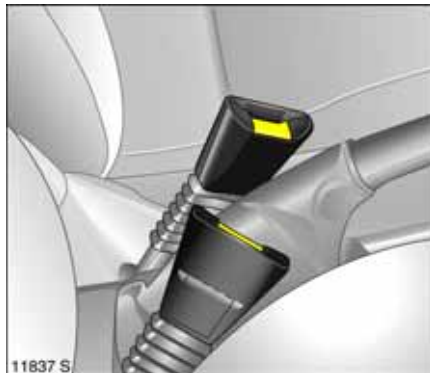
Check all parts of the belt system periodically for damage and function. Replace damaged components. After an accident, have the belts and triggered belt tensioners replaced by a workshop.

Do not perform any alterations on the belts, their anchorages, the automatic retractors or the belt buckles.

Make sure that belts are not damaged or trapped by sharp-edged objects.

Belt tensioners

The seat belts are fitted with belt tensioners. The seat belts are pulled down at the buckles on a front or rear impact above a certain severity. This tightens the belts.



Actuation of belt tensioners is indicated by illumination of control indicator \checkmark , see next column.

If the belt tensioners are triggered, they must be replaced by a workshop.

Further information – see page 53.



Control indicator \checkmark for belt tensioners

The function of the belt tensioners and airbag systems is monitored electronically and indicated by the control indicator \checkmark . When the ignition is turned on, the control indicator comes on for a pprox. 4 seconds. If it does not come on, or if it does not go out after 4 seconds, or if it comes on while driving, there is a fault in the belt tensioner or airbag systems, see page 60. The systems might not trigger in the event of an accident.

Deployment of the belt tensioners is indicated by continuous illumination of \checkmark .

⚠ Warning

Have the cause of the fault eliminated immediately by a workshop.

Self-diagnosis integrated into the system allows rapid fault identification.

Important

- z Do not fit accessories not specifically released for your vehicle type or store objects in the belt tensioner operating area (in the area of the belt tensioners) due to the risk of injury in the event the belt tensioners are triggered.
- z Do not make any modifications to the components of the belt tensioners, as this will render the vehicle unroadworthy.

⚠ Warning

Incorrect handling (e.g. removal or fitting of seat belts or belt buckles) can trigger the belt tensioners with risk of injury.

- z The belt tensioner and airbag system control electronics can be found in the centre console area. In order to avoid malfunctions, do not store magnetic objects in this area.
- z We recommend that you have the front seats removed by a workshop.
- z The belt tensioners trigger once only, indicated by the illumination of the control indicator ∇ . Have a workshop replace triggered belt tensioners.
- z When disposing of the vehicle, the safety instructions given for this must be observed. Take the vehicle to a recycling company for disposal.



Using the belts

Fitting seat belts

Pull the belt out of the retractor and guide it across the body, making certain that it is not twisted.

Insert latch plate into buckle. Backrest must not be tilted too far back as this would affect the operation of the seat belts; recommended tilting angle approx. 25°.

The lap belt must be straight and lie snugly against the body. Tighten lap belt at frequent intervals whilst driving by tugging diagonal part of belt.



9 Warning

On pregnant women in particular, the lap belt must be positioned as low as possible across the pelvis so as not to put too much pressure on the abdomen.

Bulky clothing prevents the belt from fitting properly. The belt must not rest against hard or fragile objects in the pockets of your clothing (e.g. ballpoint pens, keys, spectacles) because these could cause injury. Do not place any objects (e.g. handbags, mobile phones) between the belt and your body.



Removing the belt

To remove the belt, depress the red pushbutton on the buckle; the belt will retract automatically.

Child restraint systems 3

When using a child restraint system, follow the instructions for installation and use.

The country in which you are travelling may not permit the use of child restraint systems on certain seats. Always comply with the local or national regulations.

Selecting the right system

Your child should travel facing backwards in the car for as long as possible. A child has a very weak neck area and in the event of an accident is less likely to suffer injury in a rearward-facing, semi-lying position than if seated upright.

⚠ Warning

Never carry child restraint systems on your lap, risk of fatal injury.

Permissible options for fitting a child safety seat

Weight and age class ¹⁾	On the front passenger seat
0: to 10 kg and approx. 10 months	B ¹
0+: to 13 kg and approx. 2 years	
I: 9 to 18 kg or approx. 8 months to 4 years	B ¹
II: 15 to 25 kg and approx. 3 to 7 years	B ¹
III: 22 to 36 kg and approx. 6 to 12 years	

¹⁾ We recommend the use of each system until the child reaches the upper weight limit.

B¹ = Limited, only with seat occupancy recognition and Vauxhall child restraint system with transponders.

Move seat 3 to highest position.
Move front passenger seat back as far as possible.

Note

- z Children under 12 years or under 150 cm tall should only travel in an appropriate child safety seat.
- z When transporting children, use the child restraint systems suitable for the child's weight.
- z Check that the child restraint systems have been correctly installed – see instructions provided with child restraint system.
- z The covers of Vauxhall child restraint systems can be wiped clean.
- z Do not stick anything on the child restraint systems and do not cover them with any other materials.
- z A child restraint system which has been subjected to stress in an accident must be replaced.
- z Secure or remove child restraint systems carried in the vehicle when not in use.



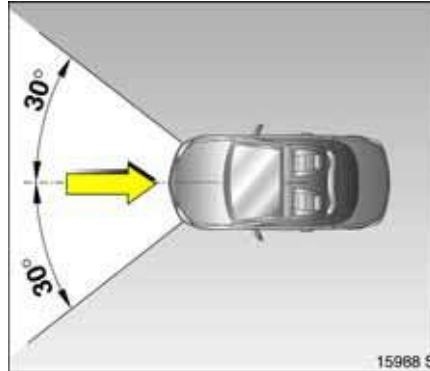
Airbag System

Front airbag

The front airbag system is identified by the word **AIRBAG** on the steering wheel and above the glove compartment.

The front airbag system comprises:

- z an airbag with inflator in the steering wheel and a second one in the instrument panel,
- z the control electronics with impact sensor,
- z control indicator for airbag systems \checkmark in instrument panel,



- z seat occupancy recognition \checkmark ,
- z the control indicator for Vauxhall child restraint systems \checkmark with transponders \checkmark in the courtesy light.

The front airbag system will be triggered:

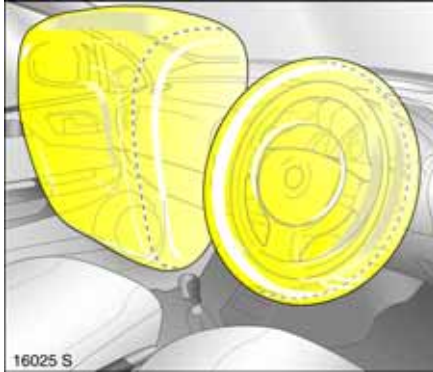
- z depending on the severity of the accident
- z depending on the type of impact
- z within the range shown in the illustration
- z independently of the side airbag system.

Exception:

Passenger seat with seat occupancy recognition system \checkmark . The seat occupancy recognition system deactivates the front and side airbags on the passenger side if the front passenger seat is unoccupied or a Vauxhall child restraint system with transponders \checkmark has been fitted to the front passenger seat. Seat occupancy recognition – see page 60. Vauxhall child restraint system with transponders \checkmark – see page 61.

Examples of events triggering the front airbag system:

- z Impact against a non-yielding obstacle: the front airbags are triggered at low vehicle speed.
- z Impact against a yielding obstacle (such as another vehicle): The front airbags are only triggered at a higher vehicle speed.



When triggered, the front airbags inflate in milliseconds and form a safety cushion for driver and front passenger. Forward movement is checked and the risk of injuries to the upper body and head thereby substantially reduced.

No impairment of view will occur, because the airbags inflate and deflate so quickly that it is often not even noticed in an accident.



9 Warning

The front airbag system provides optimum protection when the seat, backrest and head restraint are correctly adjusted: Adjust the driver's seat according to the occupant's height so that when the driver is sitting upright, the steering wheel is held in the area of its upper spokes with the driver's arms slightly bent. The passenger seat should be as far back as possible, with the backrest upright (see pages 46, 47, 48). Do not place the head, body, hands or feet on the covers of the airbag systems.

Do not place any objects in the area in which the airbags inflate. Important information – see page 62.



9 Warning

The three-point seat belt must be correctly fitted – see page 54.

The front airbag system will not be triggered in the event of

- z the ignition is switched off
 - z minor frontal collisions
 - z accidents in which the vehicle overturns
 - z collisions involving a side or rear impact
- that is to say, if it would not be of benefit to the occupants.

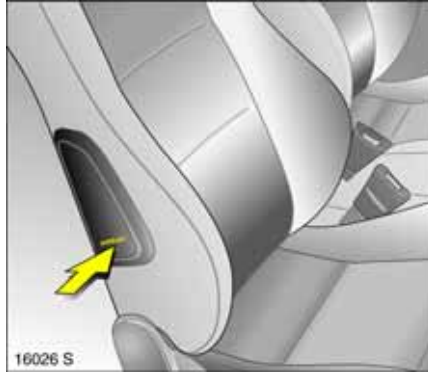
⚠ Warning

Seat belts must therefore always be worn. The front airbag system serves to supplement the three-point seat belts. If you do not wear your seat belt you risk being seriously injured, or even thrown from the vehicle, in the event of an accident.

In the event of an accident the belt helps to keep you in the correct seating position, so that the front airbag system can provide you with effective protection.

In addition, the front airbag system will not be triggered for the front passenger in versions with seat occupancy recognition 3 if

- z the front passenger seat is unoccupied
- z there is a properly fitted Vauxhall child restraint system with transponders 3. Seat occupancy recognition – see page 60. Vauxhall child restraint system with transponders 3 – see page 61.

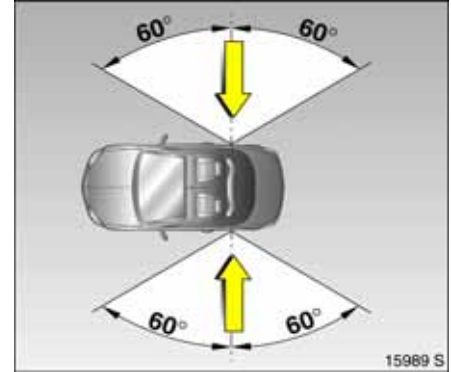


Side airbags

The side airbag system is identified by the word **AIRBAG** on the outward sides of the seat backrests.

The side airbag system comprises:

- z an airbag with inflator in the back of the driver's and front passenger seat respectively,
- z the control electronics,
- z the side impact sensors,
- z control indicator for airbag systems \vee in instrument panel,
- z seat occupancy recognition 3,
- z the control indicator for Vauxhall child restraint systems γ with transponders 3 in the courtesy light.

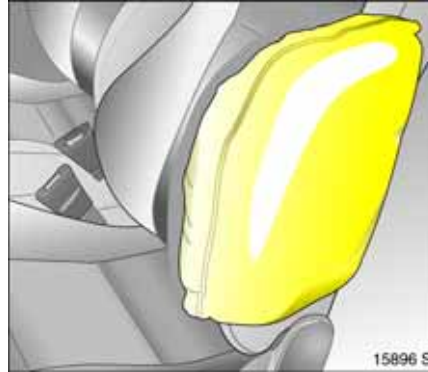


The side airbag system will be triggered:

- z depending on the severity of the accident
- z depending on the type of impact
- z within the range shown in the illustration on the driver's or front passenger side
- z independently of the front airbag system.

Exception:

Passenger seat with seat occupancy recognition system 3. The seat occupancy recognition system deactivates the passenger front and side airbags if the passenger seat is unoccupied or a Vauxhall child restraint system with transponders 3 has been fitted to the passenger seat. Seat occupancy recognition – see page 60. Vauxhall child restraint system with transponders 3 – see page 61.



When deployed, the side airbag inflates within milliseconds and forms a safety cushion for the driver or front passenger in the respective front door area. This substantially reduces the risk of injury to the upper body and pelvis in the event of a side-on collision.

9 Warning

There must be no objects in the area in which the airbag inflates or in the area between the seat backs and the vehicle body. Do not place the hands or arms on the covers of the airbag systems. Important information – see page 62.

The three-point seat belt must always be correctly fitted – see page 54.

The side airbags will not be triggered in the event of

- z the ignition is switched off
- z frontal collisions
- z accidents in which the vehicle overturns
- z collisions involving a rear impact
- z collisions involving a side impact outside the passenger cell.

In addition, the side airbag system will not be triggered for the front passenger in versions with seat occupancy recognition 3 if

- z the front passenger seat is unoccupied
- z there is a properly fitted Vauxhall child restraint system with transponders 3. Seat occupancy recognition – see page 60. Vauxhall child restraint system with transponders 3 – see page 61.



Control indicator v for airbag systems

The function of the airbag systems is monitored electronically together with the seat occupancy detection 3 and the belt tensioners. Their operational readiness is indicated by control indicator v in the instrument panel. When the ignition is switched on, the control indicator illuminates for approx. 4 seconds. If it does not illuminate, does not go out after 4 seconds or illuminates whilst driving, there is a fault in the airbag systems, the seat occupancy detection 3 or in the belt tensioners, see also page 52. The systems may fail to trigger in the event of an accident.

Deployment of the airbags is indicated by continuous illumination of v.

9 Warning

Have the cause of the fault eliminated immediately by a workshop.

Self-diagnosis integrated into the system allows rapid fault identification.

Seat occupancy recognition 3

The seat occupancy recognition system deactivates the passenger front and side airbags if the front passenger seat is unoccupied or a Vauxhall child restraint system with transponders 3 has been fitted to the front passenger seat.

Control indicator y for seat occupancy recognition is located in the courtesy light. If control indicator y illuminates for approx. 4 seconds when the ignition is switched on, the vehicle is equipped with seat occupancy recognition – see page 61, Fig. 16409 S.

If a Vauxhall child restraint system with transponders 3 is fitted, the control indicator y illuminates permanently after the ignition is switched on as soon as the system has detected the child restraint system. Only then may the child restraint system with transponders 3 be used on the passenger seat.



Seat occupancy recognition in a vehicle is also indicated by a sticker on the front passenger seat – see Fig. 12106 A.

Vauxhall child restraint systems with transponders 3 are automatically detected if correctly fitted to the front passenger seat. The front and side airbag systems for the front passenger seat are deactivated when these child restraint systems are used. Pay attention to the seat occupancy recognition 3 control indicator – see page 60.

9 Warning

Only Vauxhall child restraint systems with transponders 3 can be fitted on the front passenger seats. Use of systems without transponders poses a risk of fatal injury.

Vauxhall child restraint systems with transponders 3 can be identified by a sticker or badge.

Control indicator 3 for Vauxhall child restraint systems with transponders 3

The presence of a Vauxhall child restraint system with transponders 3 is indicated after the ignition has been switched on by permanent illumination of the control indicator 3 in the courtesy light, as soon as the seat occupancy recognition system has detected the child restraint system.



If the control indicator does not illuminate during driving, the front and side airbags for the front seat passenger are not deactivated and there is a risk of fatal injury to the child. Have a workshop eliminate the cause of the fault.

If the child restraint system is not correctly installed or the transponders are defective, the indicator light will flash. Check for correct child restraint system installation. For installation of child restraint system with transponders 3 – see instructions provided with child restraint system.

If the control indicator flashes when the child restraint system with transponders 3 is correctly fitted, there is a fault and a danger to the child. Have the cause of the fault eliminated by a workshop.

If no Vauxhall child restraint system with transponders 3 is fitted, the control indicator must not illuminate or flash as the passenger airbag systems would not deploy. Have the cause of the fault eliminated by a workshop.

⚠ Warning

If the Vauxhall child restraint system with transponders 3 has been fitted according to the instructions, the control indicator for Vauxhall restraint systems with transponders must illuminate in the courtesy light when the ignition is switched on.

If the control indicator does not illuminate during driving, the front passenger airbag systems are not deactivated and there is a risk of fatal injury. Have a workshop eliminate the cause of the fault.

Important

- z Due to risk of injury when the airbags deploy, accessories and objects should not be placed within the expansion range of the airbag systems.
- z Do not place any objects between the airbag systems and the vehicle occupants; danger of injury.

⚠ Warning

Never carry child restraint systems or other objects on your lap - risk of fatal injury.

- z The airbag systems and belt tensioner control electronics can be found in the centre console area. In order to avoid malfunctions, do not store magnetic objects in this area.
- z Do not stick anything on the steering wheel, instrument panel, seat backrests or roof frame in the vicinity of the airbags, or on the front passenger's seat cushion, or cover any of those areas with other materials.

- z Use only a dry cloth or interior cleaner to clean the steering wheel, instrument panel, seat backrests and seat cushion of the front passenger seat. Do not use any aggressive cleaning agents.
- z Only protective covers which are approved for your vehicle with side airbag may be fitted on the seats. When fitting the protective covers, make sure that the airbag units on the outboard sides of the seat backrests are not covered.
- z The airbag systems are triggered independently of one another depending on the severity of the accident and type of impact.
- z Each airbag deploys once only. Have a workshop replace deployed airbags immediately.
- z The speeds, directions of movement and deformation properties of the vehicles, and the properties of the obstacle concerned, determine the severity of the accident and triggering of the airbags. The degree of damage to your vehicle and the resulting repair costs alone are not indicative that the criteria for triggering of the airbags were met.

- z Do not perform any alterations on the components of the airbag system, as this would render the vehicle unroadworthy.

⚠ Warning

The systems can be triggered abruptly and cause injury if they are handled improperly.

- z We recommend entrusting removal of the steering wheel, the instrument panel, all panelling parts and the seats to a workshop.
- z When disposing of the vehicle, the safety instructions given for this must be observed. Take the vehicle to a recycling company for disposal.

- z In vehicles with seat occupancy recognition 3 persons weighing less than 35 kg must not be transported. This does not apply to children that are being transported in child restraint systems with transponders 3.

- z In vehicles with seat occupancy recognition 3, do not place any heavy objects on the front passenger seat otherwise the airbag systems for the front passenger seat may be triggered in the event of an accident.

- z In vehicles with seat occupancy recognition 3, to prevent malfunctions do not use protective covers or seat cushions on the front passenger seat.

- z When using a Vauxhall child restraint system with transponders 3 on the front passenger seat, in order to prevent malfunctions, no objects (e.g. plastic sheet, stickers or heated mats) may be placed under the child restraint system.

⚠ Warning

Child restraint systems as well as other objects must never be carried on the lap of passengers; risk of fatal injury. If carried in this way, child restraint systems with transponders 3 in vehicles with seat occupancy recognition 3 could lead to front passenger airbag systems not being triggered in the event of an accident.



Use of child restraint systems 3 of the front passenger seat of vehicles without seat occupancy recognition 3

9 Warning

No child restraint system 3 may be installed on front passenger seat. Danger to life.

Seat occupancy recognition 3 – see page 60.



Use of a child restraint system 3 on the front passenger seat of a vehicle with seat occupancy recognition 3

9 Warning

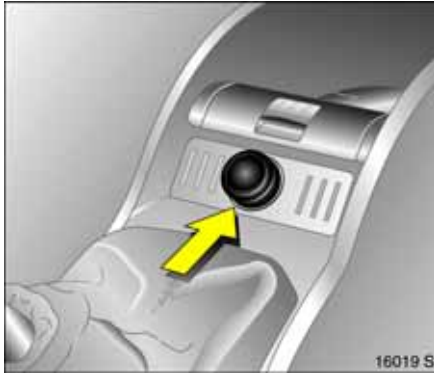
Only Vauxhall child restraint systems with transponders 3 can be fitted on the front passenger seats. Use of systems without transponders poses a risk of fatal injury.

Vehicles with seat occupancy recognition can be identified by control indicator γ in the courtesy light. If control indicator γ illuminates for approx. 4 seconds when the ignition is switched on, the vehicle is equipped with seat occupancy recognition – see page 60.

Seat occupancy recognition in a vehicle is also indicated by a sticker on the front passenger seat – see page Fig. 12106 A.

The seat occupancy recognition system detects Vauxhall child restraint systems with transponders 3 and deactivates the front and side airbags for the front passenger seat. Seat occupancy recognition – see page 60.

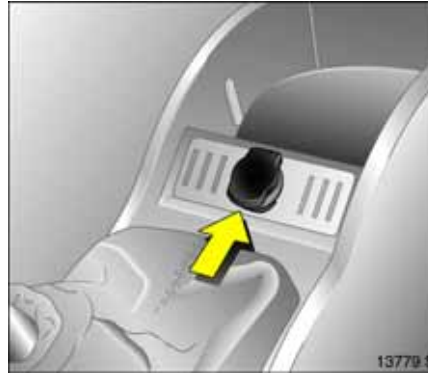
Vauxhall child restraint systems with transponders 3 can be identified by a sticker or badge.



Cigarette lighter 3

The cigarette lighter is in the centre console.

Press in cigarette lighter with ignition switched on. Switches off automatically when element is glowing. Withdraw cigarette lighter.



Accessory socket 3

The accessory socket is in the centre console.

The accessory socket or cigarette lighter socket can be used to connect electrical accessories. The socket is operational when the ignition is switched on. Use of the socket discharges the battery if the engine is not running. Do not damage the socket by using unsuitable plugs.

The maximum power consumption of electrical accessories must not exceed 120 watts.

Do not connect any current-delivering accessories, e.g. electrical charging devices or batteries.

Electrical accessories connected to the socket must comply with the electromagnetic compatibility requirements laid down in DIN VDE 40 839, otherwise vehicle malfunctions may occur.



Ashtray 3

To be used only for ash and not for combustible rubbish.

9 Warning

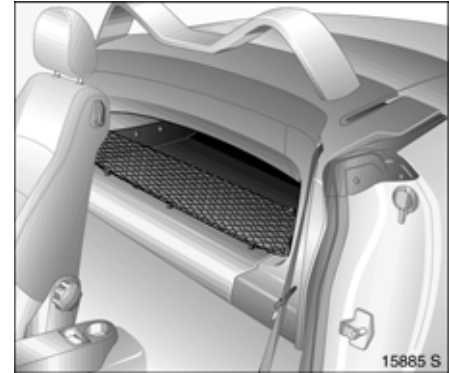
Failure to observe these descriptions can lead to injuries which may be fatal. Vehicle passengers should be informed accordingly.

Open the ashtray cover to the resistance point.



To empty, open the ashtray cover fully beyond its resistance point, causing the insert to lift. Grip both sides of the ashtray insert and pull upwards.

To enlarge the storage compartment remove the ashtray completely.



Stowage compartments

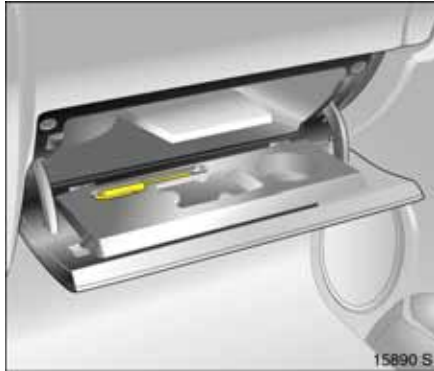
Stowage compartment behind the seats

The compartment is only suitable for stowing light objects. Maximum load: 10 kg.

9 Warning

Secure objects to prevent them from falling out and causing injury while driving.

The load must not hinder pedal, hand brake or gearshift operation or impair the driver in any way.

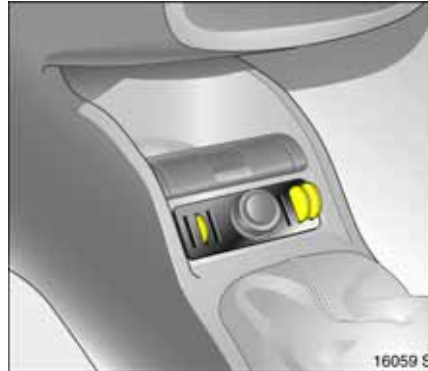
**Glove compartment**

To open, pull handle upwards.

Can be locked with the vehicle key.

On the inside of the glove compartment cover there is a pen holder.

The glove compartment should be closed whilst driving.

**Coin holder 3**

In the centre console.

Sun visors

Use the sun visor to protect from glare by pulling it down and swivelling it to the side.

Instruments, Controls

Control indicators	68
Instrument display	74
Information display	76
Warning buzzers	86
Windscreen wiper	87
Windscreen wash system	87



Control indicators

The control indicators described here are not present in all vehicles. The description applies to all instrument versions.

The control indicator colours mean:

- Z Red Danger, important reminder,
- Z Yellow Warning, note, fault,
- Z Green On confirmation,
- Z Blue On confirmation.

X

Seat belt 3

Control indicator illuminates red.

This comes on after turning on the ignition (with warning tone) until the seat belt is applied. Apply seat belt – see page 54.

>

Fog lights 3

Control indicator illuminates green.

It is illuminated when the fog lights are on – see page 89.



A
Engine electronics, transmission electronics, immobilizer, diesel fuel filter 3
 Control indicator illuminates or flashes yellow.

It illuminates for a few seconds when the ignition is switched on.

Illuminates when the engine is running
 Fault in engine or gearbox electronic system. Electronics have switched on emergency running programme fuel consumption may be increased and the vehicle's driveability reduced, see page 115. Contact a workshop immediately.

For vehicles with diesel engine, the diesel fuel filter may need to be drained of water, see page 181.

Flashes when the ignition is on
 Fault in the electronic immobilizer system; the engine cannot be started, see page 21.

Z

Exhaust emission

Control indicator illuminates or flashes yellow.

It illuminates when the ignition is switched on and goes out shortly after the engine starts.

Illuminates when the engine is running
 Fault in emission control system. The permitted emissions may be exceeded. Contact a workshop immediately.

If it flashes when the engine is running:
 Fault which could lead to damage to the catalytic converter, see page 115. Contact a workshop immediately.



∨
Airbag systems 3, Belt tensioners
Control indicator illuminates red.
Illuminates when the engine is running
Fault in the airbag or belt tensioner systems, see pages 52, 60.

!
Engine oil pressure
Control indicator illuminates red.
It illuminates when the ignition is switched on and goes out shortly after the engine starts.
Illuminates when the engine is running
Engine lubrication may be interrupted. This may result in damage to the engine and/or locking of the drive wheels:

1. Move out of the flow of traffic as quickly as possible, without impeding other vehicles.
2. Depress clutch.
3. Move gearshift lever to neutral, or with Easytronic 3, place selector lever in N.
4. Switch off ignition.

9 Warning
When the engine is off, considerably more force is needed to brake and steer. Do not remove key until vehicle has come to a standstill, otherwise the steering column lock could engage unexpectedly.

Contact a workshop.
!
Preheating system 3
Control indicator illuminates yellow.
Preheating system active, switches on only if outside temperature is low.



O

Turn signal lights

Control indicator flashes green.

The corresponding control indicator flashes on the side of the direction indicators selected.

Both control indicators flash with the hazard warning lights on.

Rapid flashing: failure of a direction indicator light or associated fuse.

Change bulbs, see page 152. Fuses, see page 148.

C

Main beam

Control indicator illuminates blue.

It is illuminated when main beam is on and during headlight flash, see pages 10, 89.

j

Easytronic 3, start engine

Control indicator illuminates yellow.

It illuminates if the foot brake is not operated. The indicator goes off as soon as the foot brake is operated. The engine can only be started with the foot brake operated, see page 103.

T

Easytronic winter programme 3

Symbol illuminates in gear display with Winter programme engaged.

Easytronic, see page 102.

r

Fog tail light

Control indicator illuminates yellow.

It is illuminated when the rear fog lights are on, see page 89.

p

Alternator

Control indicator illuminates red.

It illuminates when the ignition is switched on and goes out shortly after the engine starts.

Illuminates when the engine is running

Stop, switch off engine. Battery is not charging. Contact a workshop immediately.



R
Brake system, clutch system
 Control indicator illuminates or flashes red.

It illuminates after the ignition is turned on, when the hand brake is applied or if the brake or clutch fluid level is too low. For further information see pages 123, 183.

⚠ Warning

If it illuminates when the hand brake is not applied. Stop driving and contact a workshop immediately. We recommend your Vauxhall Authorised Repairer.

On vehicles with Easytronic 3 control indicator R flashes for a few seconds after the ignition is switched off if the hand brake has not been applied.

U
Anti-lock Brake System 3
 Control indicator illuminates red.

Illuminates while driving
 Fault in anti-lock brake system, see page 125.

S
Engine oil level 3
 Control indicator illuminates yellow.

The engine oil level is checked automatically.

Illuminates when the engine is running
 Engine oil level too low. Check engine oil level and top up engine oil if necessary, see page 179.

EPS¹⁾
Electric power steering
 Control indicator illuminates yellow.

Fault in electrical power steering. Vehicle can still be driven, but greater force is required for steering. Contact a workshop immediately.

¹⁾ EPS = Electric Power Steering.

V

Electronic Stability Program (ESP® Plus) 3

Control indicator flashes or illuminates yellow.

Flashing during driving

System actively engaged, see page 118.

Illuminates while driving

Fault in electronic stability programme, see page 118.

Y

Fuel level

Control indicator illuminates or flashes yellow.

lights

Low fuel level, fuel gauge in reserve area.

Flashing

Fuel supply exhausted, refuel immediately.

Never let the tank run dry!

Erratic fuel supply can cause catalytic converter to overheat, see page 114.

Diesel engines: If the tank is run dry, bleed the fuel system as described on page 132.



Y

Seat occupancy recognition 3

see pages 60, 61.



Instrument display

Tachometer

Indicates engine speed.

Warning zone: Maximum permissible engine speed exceeded; danger to engine.

Speedometer

Speed display.

Mileage display

If the ignition is off the mileage is displayed for a approx. 15 seconds by briefly pressing the reset knob.

Top line:

Trip odometer

Display of miles covered since reset.

To reset, hold the reset knob depressed for a few seconds with the ignition on.

Bottom line:

Odometer

Records the miles counted.

Coolant temperature display

Pointer in zone at left = Engine operating temperature not yet reached

Pointer between the zones = Normal operating temperature

Pointer in red zone = Temperature too high: Stop vehicle and switch off engine. Danger to engine. Check coolant level immediately, see page 182.

For physical reasons, the engine temperature gauge shows the coolant temperature only if the coolant level is adequate.

During operation the system is pressurised. The temperature may therefore rise briefly to over 100 °C.



Fuel gauge

Pointer in red warning zone or Y illuminated

= Reserve level

Pointer in red warning zone or Y flashing

= Refuel immediately
- see page 113

Never run the tank dry!

Diesel engines: If the tank is run dry, bleed the fuel system as described on page 132.

Because of the fuel remaining in the tank, the amount of fuel required to fill the tank may be less than the specified tank capacity.



Transmission display 3

Display of current gear or mode with Easytronic 3:

- R Reverse gear.
- N Neutral.
- A Automatic mode on Easytronic.
- 1-5 Manual mode, current gear on Easytronic.

Easytronic 3 – see page 102.



Service Display 3

When the indicator in the display of the odometer comes on, make a service appointment with a workshop as soon as possible.

Maintenance, inspection system – see page 177.



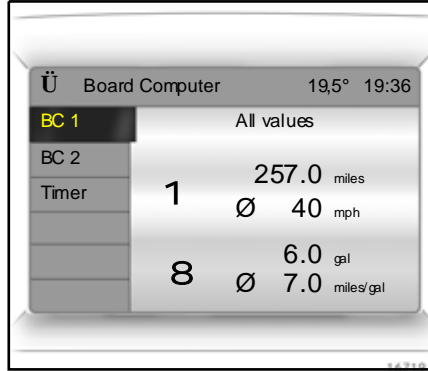
Information display

Triple information display 3

Display of time, outside temperature and date/Infotainment system (when it is on).

When the ignition is off, the time, date and outside temperature can be made to appear for approx. 15 seconds by briefly pressing one of the two buttons adjacent to the display.

Display F in the display indicates a fault. Have the cause eliminated by a workshop.



Graphical Information Display 3

Display of time, outside temperature and date/Infotainment system (when it is on).

The information that is displayed depends on the Infotainment system configuration.

Some information appears in the display in an abbreviated form.

For Infotainment system see Infotainment system guide.

Display F in the display indicates a fault. Have the cause eliminated by a workshop.



Outside temperature

A fall in temperature is indicated immediately and a rise in temperature after a time delay.

If the external temperature falls to 3 °C, to warn of ice on the road the symbol : appears in the Triple Info display. When the temperature climbs, the symbol : goes out above 5 °C.



In vehicles with graphical information display 3, a warning message is shown in the display as a warning for icy road surfaces. No message is displayed at temperatures below -5 °C.

9 Warning

Caution: The road surface may already be icy even though the display indicates a few degrees above 0 °C.



Triple information display

Set date and time

Infotainment system off: press **Ö** and **;** next to the display as follows:

Press **Ö** for approx. 2 seconds:

Day flashes

; : Set day

Ö : Month flashes

; : Set month

Ö : Year flashes

; : Set year

Ö : Hours flash

; : Set hours

Ö : Minutes flash

; : Set minutes

Ö : Clock is started.

Correcting time 3

Some RDS transmitters do not send a correct time signal. If the incorrect time is displayed on frequent occasions, deactivate automatic time synchronisation 3 – see next column, and set the time manually.

The automatic setting is indicated by **}** in the display.

Deactivating/activating automatic time synchronisation: Infotainment system off, press **Ö** and **;** next to the display:

Hold down **Ö** for approx. 2 sec., clock display is now in setting mode,

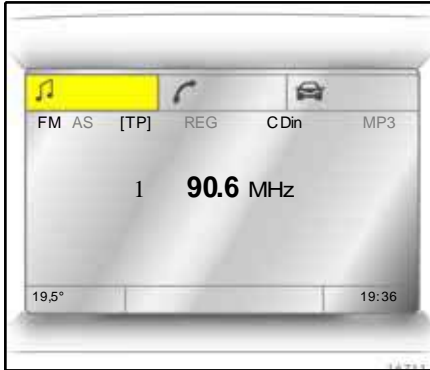
Press **Ö** twice (until year flashes),

Press **Ö** and hold down **;** for approx. 3 seconds until **}** flashes in display 3 and text "RDS TIME" appears (years flash during this time),

Press **;** - display shows:
RDS TIME 0 = Off

Press **;** - display shows:
RDS TIME 1 = On

Press **Ö** three times.



Graphical information display 3, Selecting functions

The graphical information display depicts functions and their menus.

These functions are marked or executed in the menu display via the four-way button, the multi-function knob 3 on the Infotainment System or buttons 3 on the steering wheel.



To select with four-way button:
Select menu items via menus and with the buttons/four-way button of the Infotainment system.



Selection with the multi-function knob 3:
Turn
Marking of menu options or commands, selection of function ranges,

Press
Selection of marking, confirmation of commands.

To exit a menu, turn the multi-function button left or right to **Return** or **Main** and select.



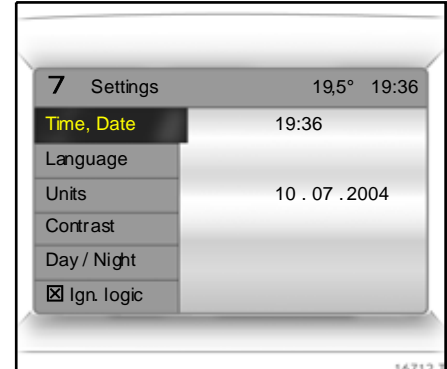
Selection using buttons 3 on steering wheel
 Select menu options via menus and with the buttons.



For each functional area there is a main page (Main), which is selected at the top edge of the display (not with the Infotainment system CD 30 or the Mobile Phone Portal):

- z Audio
- z Navigation 3
- z Telephone 3
- z Trip computer 3.

Function areas audio, navigation 3 and telephone 3 – see Infotainment System Instructions.



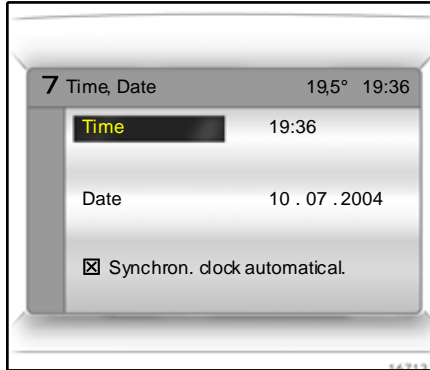
System settings

The settings are accessed via the **Settings** menu.

Press the **Main** button 3 (not found on all Infotainment systems) on the Infotainment system (call up main display).

Press the **Settings** button on the Infotainment system. For Infotainment system CD 30, no menu may be selected.

The **Settings** menu is displayed.



Setting the date and time 3

Select menu item **Time, Date**, from the **Settings** menu.

The menu for **Time, Date** is displayed.

Select the menu items required:

Make the desired setting.

Correcting time 3

Some RDS transmitters¹⁾ do not send correct time signals. If the incorrect time is frequently displayed, deactivate automatic time synchronisation 3 and set the time manually.

To correct time with the help of RDS, select menu item **Synchron. clock automatical.** from the **Time, Date** menu.

The box in front of **Synchron. clock automatical.** will be ticked – see Fig. 16713 T.



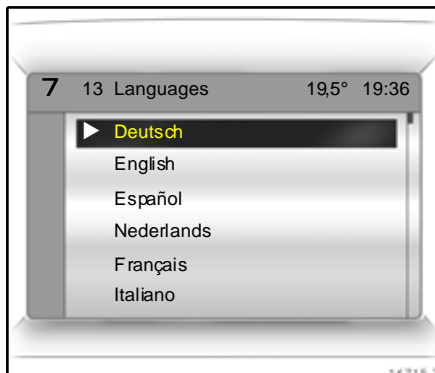
Language selection

You can select the display language for some functions.

Select menu item **Language** from the **Settings** menu.

The available languages are displayed.

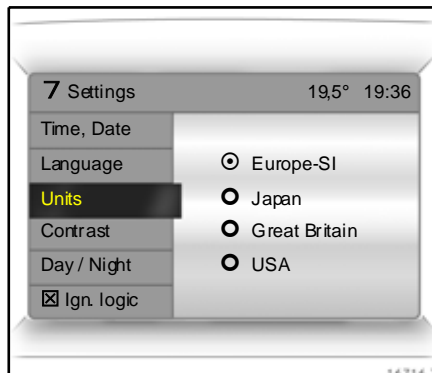
¹⁾ RDS = Radio Data System.



Select the desired language.

Selections are indicated by a 6 in front of the menu item.

In systems with voice output 3, when the language setting of the display is changed the system will ask whether the announcement language should also be changed – see Infotainment system instructions.



Setting units of measure

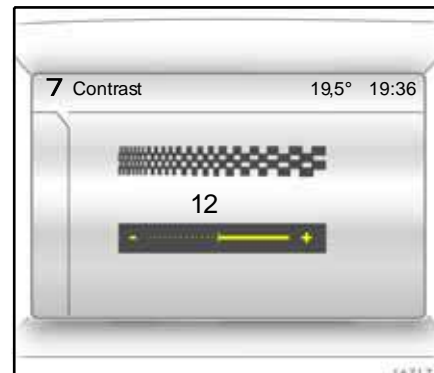
You can select which units of measure are to be used.

Select menu item **Units** from the **Settings** menu.

The available units are displayed.

Select the desired unit.

Selections are indicated by a o in front of the menu item.



Adjust contrast

Select menu item **Contrast** from the **Settings** menu.

The menu for **Contrast** is displayed.

Confirm the required setting.

Setting display mode 3

The display can be adapted to light conditions: black text on a light background or white text on a dark background.

Select menu item **Day / Night** from the **Settings** menu.

The options are displayed.

Automatic: adapted based on vehicle lighting.

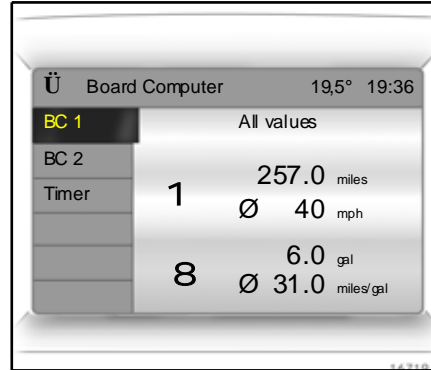
Always day design: Black text on light background.

Always night design: White text on dark background.

Selections are indicated by a **o** in front of the menu item.

Ignition logic 3

See Infotainment system instructions.

**Graphical information display 3, Trip computer 3**

The trip computers provide information on driving data, which is continually recorded and evaluated electronically.

The on-board computer main page gives information on range, momentary consumption and average consumption 3.

To display the other trip computer driving information, press **BC** button on Infotainment system 3 or select trip computer menu on display.

For vehicles with Infotainment System CD 30 3 and steering wheel remove control 3, the left steering wheel buttons only operate the trip computer.

**Range**

Range is calculated from current fuel tank content and instantaneous consumption. The display shows average values.

After refuelling, the vehicle updates the range automatically after a brief delay.



If less than 30 miles (50 km) can be driven with the fuel remaining in the tank, the warning "Range" appears on the display.

If less than 20 miles (30 km) can be driven with the fuel remaining in the tank, the warning "Please refuel!" 3 appears on the display.

Acknowledge the menu item as described on page 79.

Instantaneous consumption

Display changes depending on speed:

Display in gal/h	below 8 mph (13 km/h).
Display in mpg	above 8 mph (13 km/h).

Distance travelled

Display of miles travelled. The measurement can be reset to zero at any time and restarted, see "Reset".

Average speed

Calculation of average speed. The measurement can be reset to zero at any time and restarted, see "Reset".

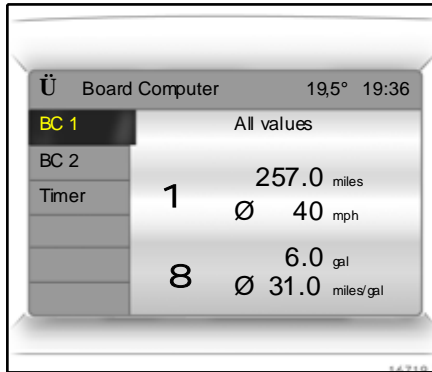
Stoppages in the journey with the ignition off are not included in the calculations.

Effective consumption

Display of fuel used. The measurement can be reset to zero at any time and restarted, see "Reset".

Average consumption

Calculation of average consumption. The measurement can be reset to zero at any time and restarted, see "Reset".

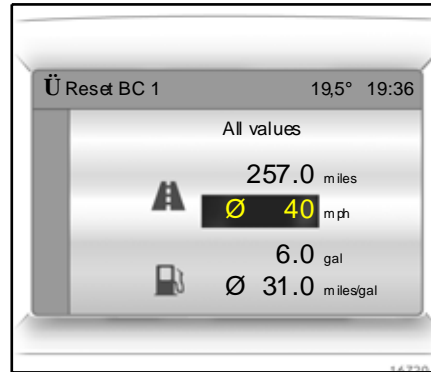


Reset: Reset trip computer information

The following trip computer information can be reset (restart measurements):

- z Distance travelled,
- z Average speed,
- z Effective consumption,
- z Average consumption.

Select **BC 1** or **BC 2** from the trip computer menu.



The information of both trip computers can be reset separately and therefore provides a facility for evaluating information over different time periods.

Select the desired trip computer information.

The value for the selected function will be reset and recalculated.

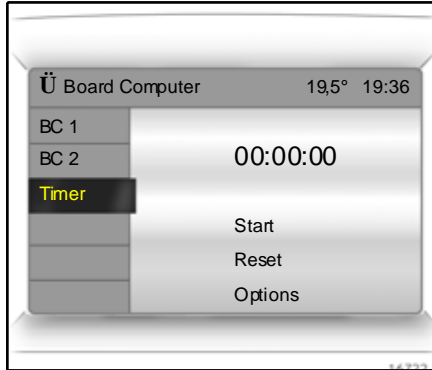


To reset all information of a trip computer, select menu item **All values**.

After resetting, "-" is displayed with the trip computer information selected. The recalculated values are displayed after a brief delay.

Interruption of power supply

If the power supply has been interrupted or if the battery voltage has dropped too low, the values stored in the trip computer will be lost.



Stop watch

Select menu item **Timer** from the **Board Computer** menu.

The **Timer** menu is displayed.

To start, select menu item **Start**.

To reset, select menu item **Reset**.

The stop watch information to be displayed can be selected via menu **Options 3**:

Driving Time excl. Stops

Measurement of the time the vehicle is in motion. Stationary time is not included.

Driving Time incl. Stops

Measurement of the time the vehicle is in motion. The time the vehicle is stationary with the key in the starter switch is included.

Travel Time

Measurement of the time from manual activation via **Start** to manual deactivation via **Reset**.

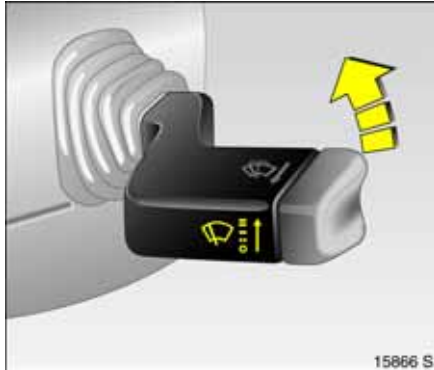
Warning buzzers

When starting the engine or whilst driving:

- z if seat belt is not fastened 3,
- z up on operation of Retractable steel roof or boot lid if the hand brake is not applied,
- z up on operation of the Retractable steel roof if the roof lock is not released,
- z up on operation of the Retractable steel roof if luggage compartment partition is not folded back,
- z when starting off if the Retractable steel roof is not completely open or closed,
- z when starting off if the boot lid is not completely closed,
- z for Easytronic 3 - if **A**, **M** or **R** is selected while the engine is running and the driver's door is opened but the foot brake is not depressed.

When the vehicle is parked and the driver's door is opened:

- z with the key in the ignition,
- z with parking lights or dipped beam switched on,
- z if the turn signal stalk is engaged.



15866 S

Windscreen wiper

To activate, move stalk briefly up.

- § = off
- \$ = adjustable timed interval wipe
- % = slow
- & = fast

Adjustable wipe interval 3

Setting wiper interval to a value between 2 and 15 seconds:

Stalk to timed interval wipe \$,
stalk to § ,
wait for desired interval,
stalk back to timed interval wipe \$.

The interval time selected remains stored until it is next changed or until the ignition is turned off.

After turning on the ignition and setting the lever to § , the interval is set to 7 seconds.



15867 S

Windscreen wash system

To activate, pull stalk on steering wheel.

The wiper will swipe for a few strokes.

Lighting

Exterior lights	88
Main beam, headlight flash	89
Turn signal lights	89
Reversing lights.....	89
Fog lights > 3	89
Fog tail light r	89
Hazard warning lights.....	90
Headlight range adjustment ?	90
Door-to-door light function 3.....	90
Instrument illumination k	91
Information display illumination 3.....	91
Courtesy light O.....	91
Battery discharge protection 3.....	91
Headlights when driving abroad	91



Exterior lights

Turn light switch:

- 7 = Off
- 8 = Parking lights
- 9 = Dipped beam or main beam

In positions 8 and 9, the tail lights and number plate lights are also on.

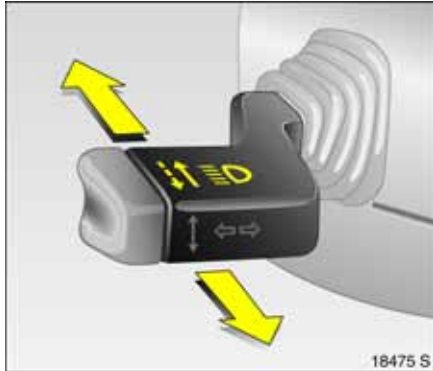
If the ignition is switched off with the dipped beam or main beam on, the parking lights illuminate 3.

Vehicles with daytime running lights 3: With the ignition on and the light switch on 7, dipped beam without instrument illumination is on.

The daytime running lights switch off when the ignition is switched off.

Follow the regulations of the country in which you are driving when using daytime running lights and fog lights 3.

Driving abroad – see page 91.



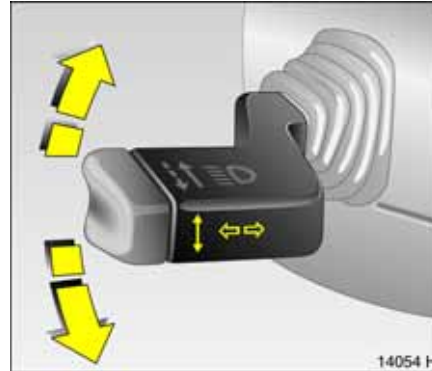
Main beam, headlight flash

To switch from dipped to main beam, press stalk forwards

To switch to dipped beam, press stalk forwards again.

To activate the headlight flash, pull stalk towards the steering wheel. Main beam is engaged for the duration of activation.

When the main beam or headlight flash is activated, the blue control indicator C lights.



Turn signal lights

To activate, press stalk up or down.

Stalk up = Turn signal light right

Stalk down = Turn signal light left

If the stalk is moved past the resistance point, the turn signal light remains on. When the steering wheel moves back toward the straight-ahead position, the turn signal light is automatically deactivated.

Brief flash: press stalk to perceptible resistance and release.

Reversing lights

Come on when reverse gear is engaged and ignition is switched on.



Fog lights > 3

On = press >, > lights in instrument panel

Off = press > again or switch off ignition or light.

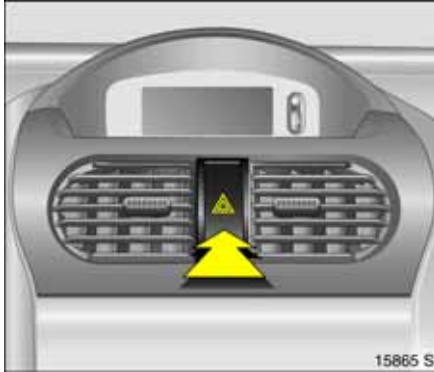
The fog lights can only be switched on when both the ignition and lights are on.

Fog tail light r

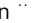

On = press r, r lights in instrument panel

Off = press r again or switch off ignition or light.

The fog tail light can only be switched on both the ignition and dipped beam/parking lights are on.



Hazard warning lights

To activate, press button , to deactivate press button  again.

To aid location of the pushbutton, the red surface is illuminated when the ignition switched on. When the button is pressed, its control indicator flashes in time with the hazard warning lights.



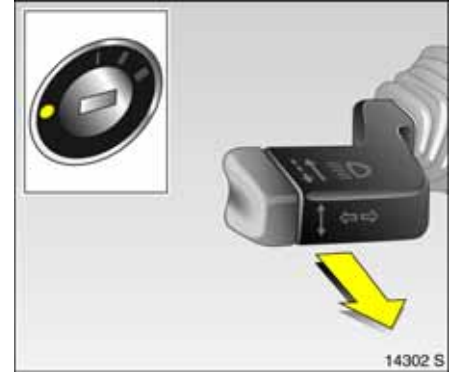
Headlight range adjustment ?

Adjust headlight range to the vehicle load with dipped beam switched on: turn adjuster wheel to desired position.

Correct adjustment of the headlight range reduces dazzle for other road users.

- Driver's seat occupied = 0
- Seats occupied = 1
- Seats occupied and full load in luggage compartment = 2

Position 3 is not used.



Door-to-door light function 3

As door-to-door lighting, the dipped beam illuminates for approx. 30 seconds after leaving the vehicle and closing the driver's door.

To activate

1. Switch off ignition.
2. Remove ignition key.
3. Open driver's door.
4. Pull turn signal stalk toward steering wheel.
5. Close driver's door.

If the driver's door is left open, the lights will go out after two minutes.

The lights go out immediately if the ignition key is inserted or the turn signal stalk on the steering wheel is pulled again.



Instrument illumination κ

Comes on with exterior driving lights. Brightness can be adjusted with adjuster wheel.

Information display illumination 3

Comes on when the ignition or Infotainment system is on. Brightness can be adjusted with adjuster wheel.



Courtesy light \circ

Automatic interior light

Activates automatically when a door is opened.

Goes off automatically after a delay 3 when the doors are closed or immediately when the ignition is switched on 3 .

Front courtesy light

Manual operation from inside with doors closed:

- On = Press light switch \circ
- Off = Press light switch \circ again.

Luggage compartment 3

Comes on when the boot lid/tailgate is opened.

Battery discharge protection 3

Some consumers such as the interior lighting switch themselves off after approx. 30 minutes if the ignition is off in order to protect the battery charge.

Light covers

The inside of the light covers may briefly mist up under unfavourable wet/cold weather conditions, during heavy rain or after the vehicle has been washed. The misting disappears of its own accord after a short time, but can be accelerated by switching on the lights.

Headlights when driving abroad

The asymmetrical dipped beam increases the field of vision on the passenger side of the lane.

This causes glare for oncoming traffic if the vehicle is driven in countries where traffic drives on the opposite side of the road.

To avoid dazzle, have a workshop convert the headlights.

Infotainment system

Radio reception 3	92
Remote control on steering wheel 3 ..	92
AUX input 3	93
Infotainment system 3	93
Mobile telephones and radio equipment (CB) 3	93

Radio reception 3

Car radio reception differs from domestic radio reception:

As the vehicle antenna is relatively near the ground, the broadcasting companies cannot guarantee the same quality of reception as obtained with a domestic radio using an overhead antenna.

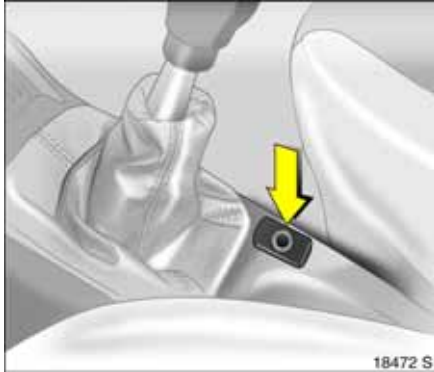
- z Changes in distance from the transmitter,
 - z multi-path reception due to reflection and
 - z shadowing
- may cause hissing, noise, distortion or loss of reception altogether.



Remote control on steering wheel 3

The functions of the infotainment system 3 and the information display can be operated on the steering wheel.

Further information – see page 79 and the relevant operating instructions.



AUX input 3

The AUX input is in the centre console between the seats.

An external audio source, e.g. a portable CD player, can be connected via the AUX input.

Always keep the AUX input clean and dry.

Further information is available in the infotainment system operating instructions.

Infotainment system 3

The infotainment system is operated as described in the operating instructions.

Mobile telephones and radio equipment (CB) 3

The Vauxhall installation instructions and the operating guidelines provided by the telephone manufacturer must be observed when fitting and operating a mobile telephone. Failure to do so could invalidate the vehicle's operating permit (EU Directive 95/54/EG).

Prerequisites for fault-free operation:

- z Professionally installed exterior antenna to obtain the maximum range possible,
- z Maximum transmission power 10 Watt,
- z Installation of the telephone in a suitable spot (see information on page 62).

Obtain advice on predetermined installation locations for the external antenna and equipment holder and ways of using devices with transmission power of more than 10 Watts. We recommend that you consult your Vauxhall Authorised Repairer, who will have brackets and various installation kits available as accessories and will install them in accordance with regulations.

Operation of a handsfree device without external antenna, with mobile phone standard GSM 900/1800/1900 and UMTS, is permitted only if the maximum transmission power of the phone does not exceed 2 Watt for GSM 900 and otherwise 1 Watt. The instructions of the manufacturer of the telephone and handsfree device must be observed in all cases.

For reasons of safety, we recommend that you do not use the phone while driving. Even use of a handsfree set can be a distraction while driving. Be sure to observe any country-specific regulations.

9 Warning

Mobile phones and radios can cause malfunctions of the vehicle electronics when operated inside the vehicle without an external antenna unless the instructions above are observed.

Mobile phones which do not comply with the above standards, and radios, may only be used with antennae installed on the outside of the vehicle.

Climate control

Heating and ventilation system, air conditioning system 3.....	94
Air vents	94
Heated rear window, heated exterior mirrors.....	95
Heated seats 3	95
Heating and ventilation system	96
Air conditioning system 3	98
Air intake	101
Pollen filter	101
Note	101
Maintenance	101



Heating and ventilation system, air conditioning system 3

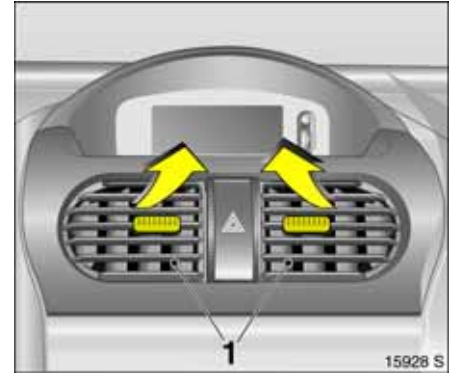
Ventilation, heating and cooling 3 are combined into one unit that is designed to provide comfort regardless of the season, weather or outside temperature.

When cooling 3 is activated, the air is cooled and dried.

The heating unit heats the air as required in all operating modes depending on the position of the temperature switch. The air supply can be adjusted to suit requirements by means of the fan.

The buttons for cooling n and air recirculation 4 are only found on versions with optional air conditioning system 3.

Air conditioning system 3 - see page 98.



Air vents

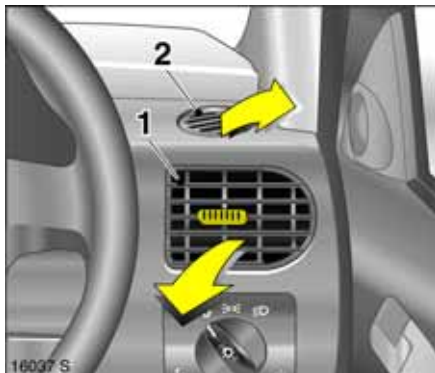
The interior ventilation can be adjusted to a comfortable level by adjusting the temperature switch.

To increase the air supply, turn the fan all the way up and set the air distribution switch to M or L .

Centre and side (1) air vents

The air flow can be directed as desired by tilting and swivelling the slats.

Temperature switch in central area: that air that comes out of the centre air vents is cooler than the air coming out of the side air vents.



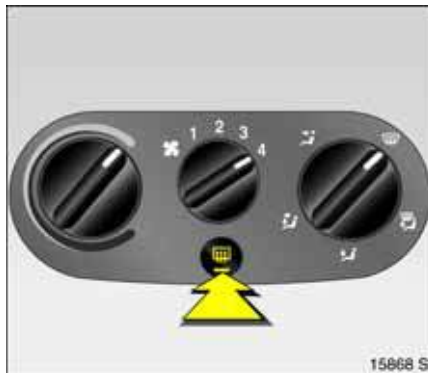
To close the vents, push the slider towards the centre of the vehicle.

Windscreen defroster nozzles (2)

Air distribution switch set to V or J :
Air is directed onto the windscreen and door windows.

Additional vents

can be found beneath the windscreen and the side windows, and also in the footwell.



Heated rear window, heated exterior mirrors

With the ignition on, the rear screen and exterior mirror heating is switched on by pressing button U :

LED U illuminates: rear screen and exterior mirror heating.

LED U does not illuminate: rear screen and exterior mirror heating is switched off.



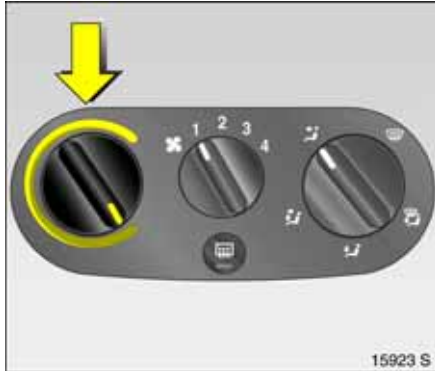
Heated seats 3

Two pushbuttons B in the centre console.

When the ignition is switched on, the seat heating is activated by pushing the button B :

LED illuminates: seat heating on.

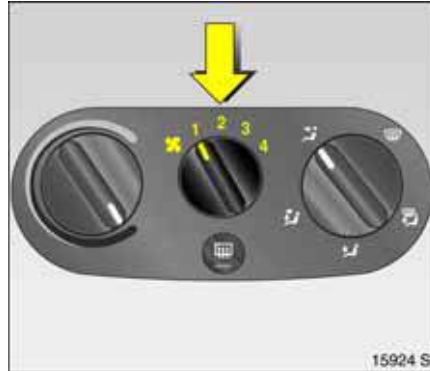
LED not illuminated: seat heating off.



Heating and ventilation system

Left-hand rotary switch: Temperature

red area = warm
blue area = cold

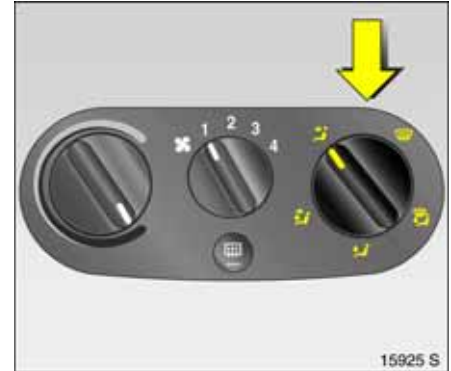


Centre rotary switch: Quantity of air

Four fan speeds:

x off
4 maximum rate of air flow

The rate of air flow is determined by the fan. The fan should therefore also be switched on during a journey.



Right-hand rotary switch: Air distribution

- V towards windscreen and door windows
- J towards windscreen, door windows and footwell
- K towards footwell
- L towards head area and footwell
- M towards head area

Open the air vents when the switch is set to L or M.



Ventilation

- z Set the temperature to the desired setting,
- z Switch fan on, adjust fan setting as desired,
- z For maximum ventilation in head area: set air distribution switch to M and open all vents,
- z For ventilation to foot well: Set air distribution switch to K,
- z For simultaneous ventilation to the head area and the foot well: Set air distribution switch to L.

Heating

The amount of heat is dependent on the coolant temperature and is thus not fully attained until the engine is warm.

For rapid warming of the passenger compartment:

- z Turn the temperature switch clockwise as far as it will go.
- z Set the fan to speed 3.
- z Set air distribution switch to desired position, preferably position J, see page 96.

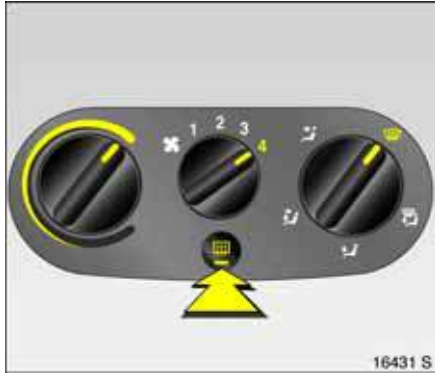
The comfort and general well-being of the vehicle occupants are to a large extent dependent on a suitable ventilation and heating setting.

To achieve stratification of temperature with a pleasant "cool head and warm feet" effect, set the rotary air distribution switch to K, J or L, set temperature rotary switch to any position (in centre range with temperature stratification effect).



Heating the foot well

- z Set the temperature switch in the red zone.
- z Switch on fan.
- z Set air distribution switch to K.



- z Set fan to 3 or 4,
- z Set air distribution switch to V ,
- z Activate heated rear window Ü ,
- z Open side air vents as required and direct them towards door windows,
- z For simultaneous footwell heating, set air distribution switch to J .

Air conditioning system 3

As a supplement to the heating and ventilation system, the air conditioning system cools and dehumidifies (dries) inflowing air.

If cooling or dehumidification is not desired, switch off cooling in order to save fuel.

Cooling switches off automatically at low outside temperatures.

Demisting and defrosting windows

9 Warning

Disregard of the instructions could lead to misting or icing of the windows and subsequent accidents due to impaired visibility.

Misted or icy windows, such as in damp weather, from wet clothes or when outside temperatures are low:

- z Turn the temperature switch clockwise as far as it will go (warm),



Cooling n

Operation only if engine is running and fan is switched on:

On = press n

Off = press n again

Control indicator in the button.

When cooling is active (AC compressor) the air is cooled and dehumidified. If cooling or dehumidification is not desired, switch off cooling in order to save fuel.

Cooling switches off automatically at low outside temperatures.



Air recirculation system 4

The recirculation button 4 is used to set the ventilation system to recirculation mode (control indicator in switch).

If fumes or unpleasant odours penetrate from outside: Temporarily switch on air recirculation system 4 .

To increase the cooling power at high outside temperatures, temporarily switch on the air recirculation system.

The air recirculation system minimises the entry of outside air. The humidity increases, and the windows can mist up. The quality of the passenger compartment air deteriorates which may cause the vehicle occupants to feel drowsy.

Air distribution to V : the air recirculation system is automatically switched off to speed up window demisting and prevent fogging.



Comfort setting

- z Set cooling fan as desired.
- z Air recirculation system 4 off.
- z Set temperature switch as desired.
- z Switch on fan at desired speed.
- z Set air distribution switch to M or L.
- z Open vents as required.

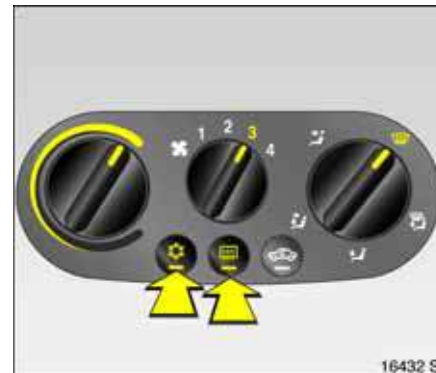
Temperature switch in centre of adjustment range: warmer air will flow into the foot well and cooler air into the upper zone, with warmer air coming from the side air vents and cooler air from the centre vents.



Maximum cooling

Briefly open windows to allow heated air to escape quickly.

- z Cooling fan on,
- z Air circulation system 4 on,
- z Turn the temperature switch anti-clockwise as far as it will go (cold),
- z Set fan to 4,
- z Set air distribution switch to M,
- z Open all vents.



Demisting and defrosting: Windows

9 Warning

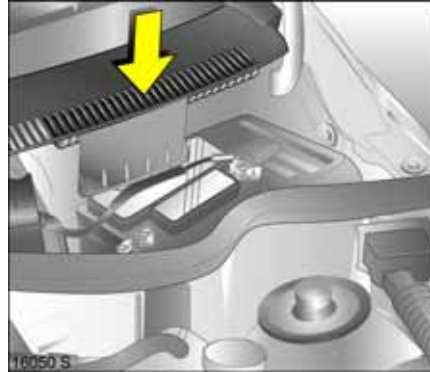
Disregard of the instructions could lead to misting or icing of the windows and subsequent accidents due to impaired visibility.

Misted or icy windows, such as in damp weather, from wet clothes or when outside temperatures are low:

- z Cooling 3 on - the AC compressor deactivates automatically when outside temperatures are low (icing),
- z Turn the temperature switch clockwise,
- z Set fan to 3 or 4,
- z Air distribution switch to V , air recirculation system 4 automatically switches off,
 - or -
 - if there is still moisture in the system after previous air conditioning operation, the windows may mist up. To prevent this, set air distribution to K before starting engine and set to V approx. 5 seconds after starting,
- z Activate heated rear window Ü,
- z Open side air vents as required and direct them towards the side windows.

Air intake

The air intakes in front of the windscreen on the far left and right-hand sides of the engine compartment must be kept free of leaves, dirt and snow.



Pollen filter

The pollen filter cleans the air entering from outside and filters dust, soot, pollen and spores from the interior air if the air recirculation system 3 is active. The active carbon layer 3 eliminates most odours and harmful ambient gases from the air.

Have the pollen filter replaced at the intervals specified in the Service Booklet.

Note

If the windscreen is misted due to damp weather, temporarily set the system as described under "Window demisting and defrosting", see pages 98, 100.

Cooling 3 works most efficiently when the windows and Retractable steel roof are closed. If the passenger compartment has heated up considerably after a long period in direct sunlight, briefly open the windows to allow the heated air to escape quickly.

When cooling 3 (air conditioning compressor) is switched on condensation forms, which is expelled from the underside of the vehicle.

Cooling switches off automatically at low outside temperatures.

At least one air vent must be open while cooling 3 (air conditioning compressor) is on in order to prevent the evaporator from icing up due to lack of air movement.

Maintenance

For consistently good operation the air conditioning compressor 3 must be switched on for several minutes once per month regardless of the weather and the time of year. Operation with the air conditioning compressor switched on 3 is not possible at low outside temperatures.

On faults, contact a workshop.

Driving and Operation

Easytronic 3

The semi-automatic Easytronic transmission permits manual (manual mode) or automatic (automatic mode) gear shifting, both with fully automatic clutch control.

⚠ Warning

Disregard of these instructions may lead to injuries or endanger life.



Transmission display

Shows the mode or current gear.

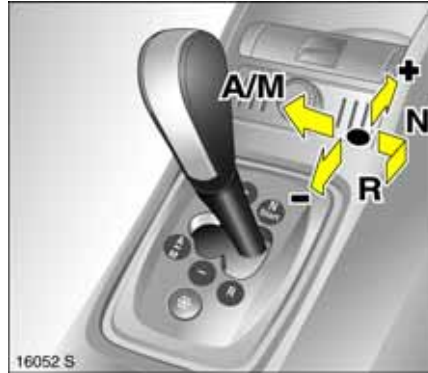
Easytronic 3	102
Driving hints	108
Saving fuel, Protecting the environment.....	110
Fuel consumption	112
Fuel	112
Fuel filler cap.....	113
Refuelling	113
Catalytic converter, exhaust gases....	114
Drive Control Systems	118
Brake system	123
Anti-lock Brake System (ABS u).....	125
Wheels, tyres	126



Starting the engine

When starting the engine, activate the footbrake at the same time. The engine can only be started in position **N** and with the footbrake activated. The transmission display shows "N". If the footbrake is not activated, the control indicator in the instrument panel illuminates and "N" flashes in the transmission display, and the engine cannot be started.

Also the vehicle cannot be started if all brake lights have failed.



Easytronic operation via the selector lever
Always move the selector lever all the way to the stop. Note the gear or mode indicator in the transmission display.

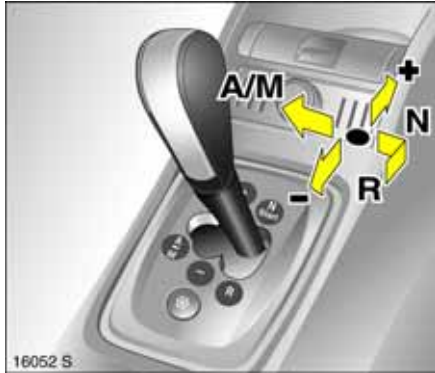
Selector lever in N
Neutral.

Selector lever in **o** (centre position)

Once the selector lever has been moved from **N** to position **o** (centre position) with the foot brake operated, the Easytronic is in automatic mode and first gear has been selected (second gear with winter programme enabled). "A" appears in the transmission display.

When the foot brake is released the vehicle starts to "creep". If the foot brake is not operated, "A" flashes. Start off by pressing the accelerator immediately or move selector lever back to **N** and repeat procedure with foot brake operated.

Shifting to different gears takes place automatically in automatic mode, depending on the driving conditions.



Selector lever in A/M

Switch between Automatic and Manual mode.

In manual mode, gears can be selected manually by moving the selector lever to + or -. The current gear is indicated in the transmission display.

If the engine speed is too low the Easytronic will automatically shift to a lower gear even in Manual mode. This prevents the engine from stalling.

Selector lever in + or -

- + Shift to a higher gear.
- Shift to a lower gear.

If a higher gear is selected when the running speed is too low, or a lower gear when the speed is too high, no shift is effected. This prevents the engine from running at too low or too high revs.

Gears can be skipped by jogging the selector lever repeatedly at short intervals.

When the vehicle is in Automatic mode, Easytronic shifts to Manual mode when the selector lever is set to position + or -. The transmission display shows the currently selected gear.

Selector lever in R

Reverse gear. Engage only when vehicle is stationary.

Press button on selector lever, select R. The transmission display shows "R".

If R is selected when the vehicle is in motion, "R" flashes in the transmission display and no gear is engaged.

Electronically controlled driving programmes in automatic mode

- z By means of delayed gear changing (higher engine speeds) following a cold start, the operating temperature programme quickly and automatically brings the catalytic converter to the temperature required for optimum pollutant reduction.
- z Adaptive programmes automatically adapt gear shifting to suit the driving conditions, such as if the vehicle has a high payload, or is being driven on inclines.



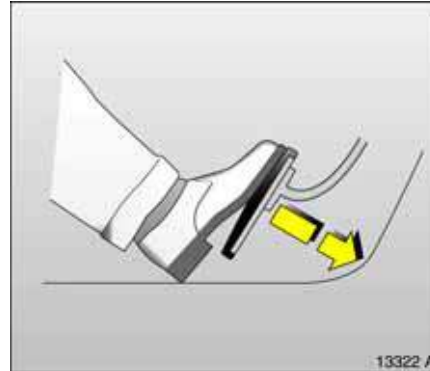
Winter programme T

In the event of difficulties starting off on slippery roads, press button T ("A" and T appear in the transmission display). Easytronic switches to automatic mode and the vehicle sets off in second gear.

The winter program is switched off by:

- z pressing button T a gain,
- z switching to Manual mode,
- z turning off the ignition.

In order to protect the Easytronic the winter programme automatically switches itself off at extremely high clutch temperatures.



Kickdown

Accelerator pedal pressed past the pressure point: below certain speeds, the transmission shifts down into a lower gear. Full engine power is available for acceleration.

During kickdown no manual gear shifting is possible.

When the engine speed approaches its upper limit, the transmission shifts to a higher gear during kickdown even in Manual mode.

Without kickdown this automatic shift is not effected in Manual mode.

Braking assistance from engine

Automatic mode:

When driving downhill, Easytronic does not shift into higher gears until a fairly high engine speed has been reached. When braking, Easytronic shifts down in good time.

Manual mode:

To utilise the engine braking effect, select a lower gear in good time when driving downhill.

"Rocking" the car

If it becomes necessary to rock the vehicle to free it from sand, mud, snow or a hole, move the selector lever between O (centre position) and R in a repeat pattern while applying light pressure to the accelerator pedal. Do not race the engine and avoid sudden acceleration.

This applies only to the exceptional circumstances mentioned above.



Manoeuvring the vehicle

To manoeuvre the vehicle back and forth during attempts to park or in garage entrances the creeping movement can be utilised by releasing the foot brake.

Never actuate an accelerator and brake pedals simultaneously.

In order to prevent damage, the Easytronic disengages the "creep function" at extremely high automatic clutch temperatures.

Stopping the vehicle

In Automatic and Manual mode, when the vehicle has stopped first gear (second gear with Winter mode engaged) is engaged automatically and the clutch is released. In R reverse gear remains engaged.

If a warning signal sounds when the driver's door is opened (foot brake not depressed), move the selector lever to N and apply the hand brake.

When stopping on gradients, engage the hand brake or depress the brake pedal. To prevent overheating of the clutch, do not increase engine speed to ensure smooth idling when in gear.

To prevent damage to the Easytronic, the clutch is closed automatically at high clutch temperatures.

Switch off engine if stopping for a lengthy period, e.g. in traffic jams or at level crossings.

Vehicle storage

Before leaving the vehicle:

- z engage hand brake,
- z remove ignition key.

The most recently engaged gear (indicator in transmission display) remains engaged. With N, no gear is engaged.

When the ignition is switched off the Easytronic no longer responds to movement of the selector lever.

If the ignition key is not removed, the battery may be discharged if the vehicle is then left to stand for a lengthy period of time.

If the hand brake has not been applied, the control indicator R flashes for a few seconds after the ignition is switched off.



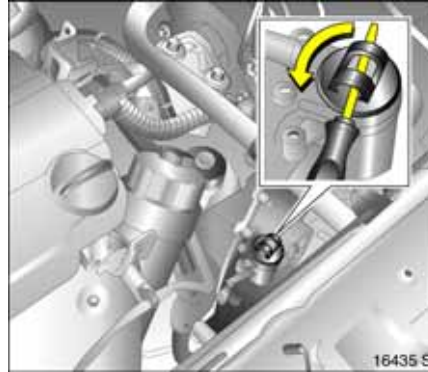
Fault

If a fault occurs in the Easytronic, control indicator A illuminates. In the event of serious faults, "F" also appears in the transmission display.

It is possible to continue driving if only control indicator A illuminates. Manual mode can then no longer be selected.

If "F" also appears in the transmission display, it is not possible to continue driving.

Have the cause of the fault eliminated by a workshop. The self-diagnosis integrated into the system allows rapid fault identification.



Interruption of power supply

The clutch is not disengaged if the vehicle battery is discharged and a gear has been selected. The vehicle cannot move.

If the battery is flat, start the vehicle using jump leads – see page 134.

If the cause of the power failure is not a discharged battery, contact a workshop. If the vehicle must be removed from flowing traffic, release the clutch as follows:

1. Apply hand brake and switch off ignition.
2. Open bonnet and engage support.

3. Clean Easytronic around the cap (see figure) so that no dirt can get into the opening when the cap is removed.
4. Rotate cap to slacken and remove by lifting upwards – see figure.
5. Turn the adjusting screw clockwise using a flat-head screwdriver (vehicle tools – see page 139) until clear resistance can be felt. The clutch has now been disengaged.
Do not turn beyond the resistance, since this can damage the Easytronic.
6. Fit cleaned cap again. The cap must be in full contact with the housing.

Towing the vehicle and starting the engine is not permitted when the clutch has been released in this way, although the vehicle can be moved a short distance.

Contact a workshop immediately.

Driving hints

The first 600 miles / 1000 km

Drive your vehicle at various speeds. Do not use full throttle. Never allow the engine to labour at low revs.

Make good use of all gears. Depress the accelerator pedal a maximum of about $\frac{3}{4}$ of the available pedal travel in all gears.

Do not drive faster than three quarters of maximum speed.

Do not brake unnecessarily hard for the first 125 miles (200 km).

Never coast with engine not running

Many units will not function in this situation (e.g. brake servo unit, electric power steering). Driving in this manner is a danger to yourself and others.

Brake servo unit

When the engine is not running, the brake servo unit is no longer effective once the brake pedal has been depressed once or twice. Braking effect is not reduced, but significantly greater force is required for braking.

Electric power steering

If the power-assisted steering fails when being towed with the engine switched off, the vehicle can still be steered, but considerably more force is required.

Driving in mountainous terrain

The cooling fan is electrically operated. Its cooling power is therefore independent of the engine speed.

Since a considerable amount of heat is generated at high engine speeds and less at slower speeds, do not shift down when climbing hills whilst the vehicle is still coping with the gradient in the higher gear.

Switching off the engine

When you switch off, fans in the engine compartment may continue running for a time to cool the engine.

If the engine temperature is very high, e.g. after driving in mountainous terrain: Allow the engine to idle for approximately two minutes in order to prevent heat accumulation.

Vehicles with turbocharged engine

After running at high engine speeds or high engine loads, operate the engine briefly at a low load or run in neutral for approx. 30 seconds before switching off in order to protect the turbocharger.

Save energy – more miles

Please observe the running-in hints on the this page and the tips for saving energy on the following pages.

Good, technically correct and economical driving ensures maximum durability and performance for your vehicle.

Overrun

The fuel supply is automatically shut off during overrun, e.g. when the vehicle is being driven down long gradients or when braking. To enable the overrun cut-off to take effect, do not accelerate during overrun and on manual vehicles, do not release the clutch. To prevent damage to the catalytic converter, overrun cut-off is temporarily deactivated when the catalytic converter temperature is high.

Vehicles with turbocharged engine

Flow-generated noises may be audible if the accelerator is released quickly on account of air flow in the turbocharger.

Engine speed

Drive in a low engine speed range for each gear as much as possible.

Warming up

Allow the engine to warm up while driving. Do not warm it up by letting it run at idling speed. Do not apply full throttle until the engine has reached operating temperature.

After a cold start, the Easytronic 3 does not switch to higher gears until the speed increases when it is in automatic mode. This allows the catalytic converter to quickly reach the temperature that is required for optimum emission reduction.

Correct gear selection

Do not race your engine whilst in neutral or with a low gear selected. Driving too fast in individual gears as well as stop-and-go traffic increases engine wear and fuel consumption.

Change down

When decreasing speed, shift down into the next lowest gear. Do not slip the clutch with a high-revving engine. This is especially important when hill climbing.

Clutch operation

Always depress the clutch pedal hard to the floor to prevent shifting difficulties and transmission damage.

When driving do not use the pedal as a foot rest; this will cause substantial clutch wear.

Cooling fan

The cooling fan is controlled via a thermo-switch and therefore only runs if necessary.

Pedals

Do not place any objects in the foot well which could slip under the pedals and inhibit the pedal travel.

To ensure the pedal travel is uninhibited, there must be no mats in the area of the pedals.

Battery care

When driving slowly or when the vehicle is stationary, e.g. in slow urban traffic, stop-and-go traffic or traffic jams, turn off all unnecessary electrical loads where possible (e.g. heated rear window, heated seats).

De-clutch when starting in order to relieve the strain on the starter and the battery.

Saving fuel, Protecting the environment

Trend-setting technology

In the development and manufacture of your vehicle, environment-friendly and in the main recyclable materials were used. The production methods used to make your vehicle are likewise environmentally-compatible.

Recycling of production wastes keeps the circulation of material closed. Reduction of energy and water requirements also helps to conserve natural resources.

A highly advanced design means that your vehicle can be easily disassembled at the end of its working life, and the individual materials separated for subsequent re-use.

Materials such as asbestos and cadmium are not used. The refrigerant in the air conditioning system is CFC-free.

New painting techniques employ water as a solvent.

End-of-Life vehicles recovery

For detailed information on Vauxhall's ongoing commitment to achieving an environmentally sustainable future, including; design for recycling, take back of End-of-Life Vehicles (ELVs) and the recycling of ELVs view.

www.vauxhall.co.uk/recycling for details.

Energy and environment-conscious driving

z High noise levels and exhaust emissions are often a result of driving without due attention to saving energy and protecting the environment.

z You should therefore drive with energy in mind:
"more miles – less fuel".

Reduce the noise level and exhaust emissions by adopting an environment-conscious driving style. This is extremely worthwhile and improves the quality of life.

Fuel consumption depends to a great extent on your own personal driving style. The following hints are intended to help you consume fuel at a rate that is as close as possible to the specified levels – see page 166.

Check your vehicle's fuel consumption every time you refuel. This facilitates early detection of any irregularities causing increased fuel consumption.

Warming up

z Full throttle and warming up at idle speed increase wear, fuel consumption, exhaust emission, the amount of pollutant in the exhaust and the amount of noise.

z Drive off immediately after starting. Warm up the engine by running it at moderate engine speeds.

Uniform speed

z Hectic driving significantly increases fuel consumption, the exhaust emissions, the proportion of pollutant in the exhaust gas and the noise level.

z Do not accelerate and brake unnecessarily. Drive at uniform speed, watching the road.

Avoid frequent starting off and stopping e.g. at traffic lights, in short distance traffic and in queues of traffic by means of clever planning. Select roads with good traffic flow.

Idling

z The engine also consumes fuel when idling.

z If you have to wait for more than one minute, it is worthwhile switching off the engine. Five minutes of idling corresponds to approximately 0.6 miles (1 km) of driving.

Overrun

- z The fuel supply is automatically shut off during overrun, e.g. when the vehicle is being driven down long gradients or when braking – see page 109.
- z To enable the overrun cut-off to come into action and save fuel, do not accelerate or de-clutch during overrun.

Correct gear selection

- z High revs increase engine wear and fuel consumption.
- z Do not race your engine. Avoid driving at high engine speeds.

Making use of the tachometer helps to save fuel. Drive in a low engine speed range for each gear as much as possible with uniform engine speeds. Drive as often as possible in top gear, select the next higher gear as soon as possible, and only change down when the engine is no longer running perfectly smoothly.

High speed

- z The higher the speed, the higher the consumption and the noise level. At top speed, you consume a great deal of fuel and produce excessive noise and exhaust emissions.
- z Slightly releasing the accelerator pedal results in distinct fuel savings with no major loss of speed.

Drive at no more than around three quarters of maximum speed and you will use up to 50% less fuel, without losing a great deal of time.

Tyre pressure

- z Inadequate tyre pressure, leading to higher road resistance, costs money in two ways: for more fuel and increased tyre wear.
- z Regular checks (every 14 days) pay off.

Electrical loads

- z The power consumption of electrical equipment increases fuel consumption.
- z Switch off all auxiliary electrical loads (e.g. air conditioning 3, heated rear window) when not needed.

Repair and maintenance

- z Improper repairs or adjustment and maintenance work can increase fuel consumption. Do not carry out work on the engine yourself.

You may out of ignorance infringe environmental laws by not disposing of materials properly.

Appropriate parts might not be recycled.

Contact with some of the materials involved may pose a health hazard.
- z We recommend that repair and maintenance be entrusted to your Vauxhall Authorised Repairer.

Extreme driving conditions

- z Going up steep slopes, cornering, driving on poor roads and winter driving all increase fuel consumption.

Fuel consumption increases dramatically in urban traffic and at winter temperatures, especially on short trips when the engine operating temperature is not reached.
- z Follow the hints given above to keep consumption to a minimum under such conditions.

Fuel consumption

Fuel consumption is determined under specific driving conditions – see page 166.

Special equipment increases the weight of the vehicle. As a result, they can increase fuel consumption and reduce the specified maximum speed.

There is increased friction between engine and transmission parts during the first 600 miles (1000 km). This increases fuel consumption.

Fuel

Fuel for petrol engines

Normal commercial high-quality fuels with a maximum ethanol content of 5% in accordance with DIN EN 228 are suitable (for catalytic converter see page 114, for octane numbers see page 164). The quality thereof has considerable effect on the performance, running and service life of the engine. The additives mixed with the fuel are extremely important. For this reason you must only refuel with high-quality fuels containing additives.

Fuels with ethanol content greater than 5% do not comply with DIN EN 228 and must not be used unless the vehicle has been specifically developed and approved for these fuels.

Fuel with too low an octane number can cause pinking. Vauxhall cannot be held liable for resulting damage.

Petrol with a higher octane number can always be used.

The ignition timing is automatically adjusted according to the grade of fuel used (octane number) – see page 164.

Use of petrol with an octane rating of 95 will ensure economical driving.

Fuel for diesel engines

Diesel engines must be operated only on commercially available diesel fuel meeting the specifications of DIN EN 590.

Since January 2004, some oil companies have mixed their diesel fuel with up to 5% Bio fuel (FAME = Fatty Acid Methyl Esters) like RME (Rape-Oil Methyl Ester). This is in accordance with the current DIN EN 590 and does not harm the fuel/injection system. The characteristics of a diesel fuel mixed up with 5% Bio fuel (FAME) do not differ from conventional diesel fuel and do not influence the vehicle's driveability.

Important: Diesel fuel mixed with 5% FAME according to DIN EN 590 must not be confused with 100% Bio Diesel, which is not to be used in Vauxhall engines.

The flow and filterability of diesel fuel are temperature-dependent.

Diesel fuels with improved low temperature properties are therefore available on the market during the winter months. Make sure that you fill the tank with winter fuel before the start of the cold weather season.

Additives can be used with diesel fuels with winter properties that are guaranteed by the manufacturer and when using diesel fuel filters that are heated depending on the outside temperature.

Diesel fuels must not be diluted with fuels that are intended for petrol engines.

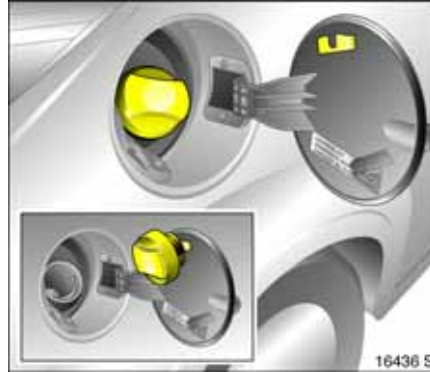
Fuel filler cap

When replacing the fuel filler cap, be sure to use a genuine fuel filler cap for your model to ensure full functionality. Diesel-engined vehicles have special fuel filler caps.

Refuelling

⚠ Warning

Care must be taken when handling fuel. Before refuelling, switch off engine and any external heaters with combustion chambers before refuelling. Switch mobile phones off.



⚠ Warning

Fuel is flammable and explosive. When handling fuel or in the immediate vicinity, avoid naked flames or sparks. Do not smoke. This also applies where the presence of fuel is revealed by its characteristic smell. If fuel odours occur in the car, have a workshop eliminate the fault immediately.

Fuel filler neck at right rear side of vehicle.

The tank flap is locked together with the doors – see page 24.

Open the tank flap.

Unscrew fuel filler cap to open and suspend from tank flap.

The fuel tank has a limiting system which prevents overfilling of the tank.

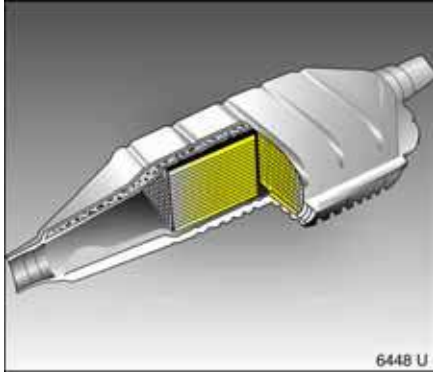
Correct filling depends to a large extent on proper operation of the fuel dispensing pump:

1. Fully insert the pump nozzle and switch it on.
2. After the automatic cut-off the nominal capacity of the fuel tank can be obtained by topping up with two doses of fuel. Make sure the nozzle is fully inserted.

To close, position the fuel filler cap and rotate past the resistance until the cap audibly clicks over the retainer.

Close fuel tank cover.

Wipe off any overflowing fuel immediately.



Catalytic converter, exhaust gases

Catalytic converter for petrol engines
Leaded fuel will damage the catalytic converter and parts of the electronic system, rendering them inoperative.

Use of high-quality fuels other than those specified on page 112 (e.g. LRP¹⁾) could damage the catalytic converter.

Damage to the catalytic converter or the vehicle may result if the following points are not observed:

z On ignition faults, uneven running after cold start, a clear drop-off in engine power or other unusual operating symptoms which could indicate a fault in the ignition system, contact a workshop immediately. Continue driving if necessary for a short time at low speed and low revs.

Irregular engine running and a loss of engine power when the Electronic Stability Program ESP[®] Plus 3 comes into action are due to the operating conditions and are therefore of no significance - see page 118.

z If unburned fuel enters the catalytic converter, this may result in overheating and irreparable damage to the catalytic converter.

You should therefore avoid unnecessarily long use of the starter when starting off, running the tank dry (an irregular fuel supply will lead to overheating) and starting the engine by pushing or towing.

¹⁾ LRP = Lead Replacement Petrol.

z If the control indicator Z flashes to indicate emissions, back off until the flashing stops and the control indicator illuminates. Contact a workshop immediately. Control indicator for emissions Z - see page 116.

Catalytic converter for diesel engines

Damage to the catalytic converter or the vehicle may result if the following points are not observed:

z On uneven running, a clear drop-off in engine power or other unusual operating symptoms, contact a workshop immediately. Continue driving if necessary for a short time at low speed and low revs.

Irregular engine running and a loss of engine power when the Electronic Stability Program ESP[®] Plus 3 comes into action are due to the operating conditions and are therefore of no significance - see page 118.



Controlling exhaust emission

Some of the damaging substances in the exhaust such as carbon monoxide (CO), hydrocarbons (HC) and nitrous oxides (NO_x) are reduced to a minimum by making structural changes – mainly in the injection system and the ignition system in conjunction with the catalytic converter.



Control indicator Z for exhaust

Illuminates when the ignition is switched on and during the start attempt. Goes off shortly after the engine starts running.

Illuminated with the engine running indicates a fault in the exhaust gas cleaning system. The permitted emissions may be exceeded. Contact a workshop immediately.

Flashing with the engine running indicates a fault which could lead to catalytic converter damage. You may continue driving without damage if you back off until flashing stops and the control indicator comes on. Contact a workshop immediately.



Control indicator A for engine electronics

Comes on for a few seconds after the ignition is turned on.

If it illuminates when the engine is running, there is a fault in engine or transmission electronics. The electronic system switches to an emergency running programme. Fuel consumption may be increased and the driveability of the vehicle may be impaired.

In some cases, faults can be eliminated by switching off the engine and restarting. If the control indicator comes on again when the engine is running, contact a workshop to eliminate the cause of the fault.

If it illuminates briefly, but does not recur, it is of no significance.

Illumination of **A** can indicate water in the diesel fuel filter. Have a workshop check the fuel filter for possible water residue – see page 181.

If it flashes when the Ignition is on there is a fault in the immobilizer system – see page 21.

Exhaust gases

9 Warning

Engine exhaust gases contain poisonous carbon monoxide, which is colourless and odourless and could be fatal if inhaled.

If exhaust gases penetrate the vehicle interior, open a window and contact a workshop.

During the first drive smoke may develop because of wax and oil evaporating on the exhaust system. Park the vehicle in the open for a while after the first drive and avoid inhaling the fumes.

Maintenance

Have all maintenance work carried out at the intervals specified. We recommend that you entrust this work to your Vauxhall Authorised Repairer, who has proper equipment and trained personnel available. Electronic testing systems permit rapid diagnosis and remedy of faults. This way you can be certain that all components of the vehicle's electrical, injection and ignition systems operate correctly, that your vehicle has a low level of pollutant emission and that the catalytic converter system will have a long service life.

You are thereby making an important contribution towards keeping the air clean and compliance with emissions legislation.

Checking and adjustment of the fuel-injection and ignition systems is part of the scope of inspection. For this reason you should have all maintenance work carried out at the intervals specified in your Service Booklet.

Drive Control Systems

Electronic Stability Program (ESP®Plus) 3
ESP®Plus improves driving stability as necessary in any driving situation regardless of the type of road surface or tyre grip. It also prevents the drive wheels from spinning.

The system monitors vehicle movements. As soon as the vehicle starts to swerve (understeers/oversteers) engine output is reduced (the sound of the engine changes) and individual wheels are specifically braked. This considerably improves the driving stability of the vehicle on snow and ice and on wet or slippery road surfaces.

ESP®Plus is ready for operation as soon as the ignition is switched on and control indicator \vee goes out.

When ESP®Plus comes into action, \vee flashes.

The vehicle is now in a critical situation; ESP®Plus allows you to keep control of the vehicle and reminds you to match your speed to the road conditions.

9 Warning
Do not let this special safety feature tempt you into taking risks when driving. Traffic safety can only be achieved by adopting a responsible driving style.



Control indicator v

comes on for a few seconds after the ignition is turned on. The system is ready for operation when the warning light goes out.

Flashing during driving:

This shows the system has come into a ction. The engine output may be reduced (the sound of the engine changes) and the vehicle may be braked automatically to a small degree.

Illuminates while driving:
Fault in the system. Driving can be continued. Poor road surface conditions may however still cause vehicle stability to be impaired.

Have the cause of the fault eliminated by a workshop. The self-diagnosis integrated into the system allows rapid fault identification.

Control indicator may illuminate when the temporary spare wheel is in use. The system is then deactivated.

Illuminates after interruption of power supply
e.g. after disconnecting battery.

After a power supply interruption the steering angle sensor must be calibrated to make the system operational:

- z Automatic calibration driving in straight line at constant slow 12 to 25 mph (20 to 40 km/h) speed on level, dry road.
- z Manual calibration by turning steering wheel from limit position to limit position.

If the indicator light does not go off after successful calibration, observe notes in middle column.

Cruise control 3

Cruise control can store and maintain speeds of approx. 20 to 125 mph (30 to 200 km/h). Deviation from the stored speed is possible on uphill or downhill inclines.

For safety reasons the cruise control cannot be activated until the foot brake has been operated once.

The cruise control is operated with the buttons **I**, **R** and **O** on the turn signal stalk.

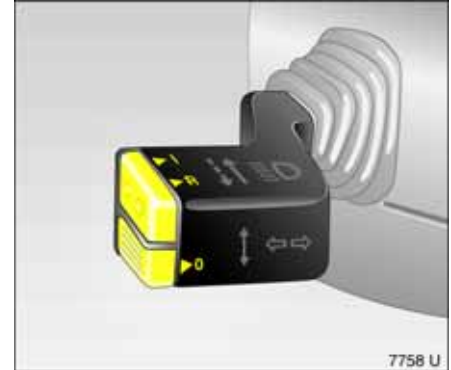
Do not use the cruise control if it is not advisable to maintain a constant speed (e.g. in situations presenting a danger to yourself and other road users, in heavy traffic or on winding, slippery or greasy roads).

With Easytronic 3, only use cruise control when in automatic mode.

When the cruise control is active, reaction times may be increased due to the different position of the feet.

9 Warning

Even with cruise control activated, the driver has full responsibility for maintaining an appropriate speed. Disregard of these instructions could lead to injury or danger to life.



To activate

Tap button **I**: the current speed is stored and maintained. The accelerator pedal can be released.

Vehicle speed can be increased by depressing the accelerator pedal. When the accelerator pedal is released, the previously stored speed is resumed.

Increase

With cruise control active, hold down button **I** or tap it repeatedly: the speed is increased continuously or in steps of 1.2 mph (2 km/h) without using the accelerator pedal.

The current speed is stored and saved after the **I** button has been released.

Decelerate

With cruise control active, hold down button **R** or tap it repeatedly: the speed is reduced continuously or in steps.

The current speed is stored and saved after the **R** button has been released.

To deactivate

Tap button **O**: The cruise control is switched off. The vehicle slowly decelerates. To continue driving, depress the accelerator pedal in the usual way.

For reasons of safety, cruise control deactivates under certain driving conditions.

For example:

- z the vehicle's speed drops below approx. 20 mph (30 km/h) or
- z the brake pedal is depressed or
- z the clutch pedal is depressed or
- z Easytronic 3 selector lever in **N**.

Resuming the stored speed

Tap button **R** at a speed above 20 mph (30 km/h): the speed selected before the cruise control was switched off is resumed.

The stored speed value is deleted when the ignition is switched off.

Parking distance sensor 3

Parking distance sensor makes reverse parking easier by measuring the distance between the rear of the vehicle and an obstacle through ultrasonic reflection and warning you with an acoustic signal in the passenger compartment.

The system records the distance using four sensors in the rear bumper.

To activate

With the ignition on, the Parking distance sensor engages automatically after selecting reverse gear. The function readiness is indicated by a short tone.

If the vehicle slowly gets close to an obstacle while reversing, an intermittent acoustic signal is audible in the passenger compartment when the vehicle tail is less than one metre from the obstacle. The interval between the signals becomes shorter as the distance is reduced. If the distance is less than 30 cm, a continuous signal is audible.



9 Warning

Under certain circumstances, various reflective surfaces on objects or clothing as well as external noise sources may cause the system to fail to detect obstacles. For this reason, care must be taken when reversing even if the Parking distance sensor is operational. This is of particular importance when in the vicinity of pedestrians.

To deactivate

The system deactivates automatically when reverse gear is disengaged.

Fault

On system faults, a permanent tone sounds at a distance of 1 metre from the obstacle. Have the cause of the fault eliminated by a workshop.

In order to avoid operational problems or erroneous information, the sensors must be undamaged and free of soiling, snow and ice.

Brake system

The brakes are an important factor for traffic safety.

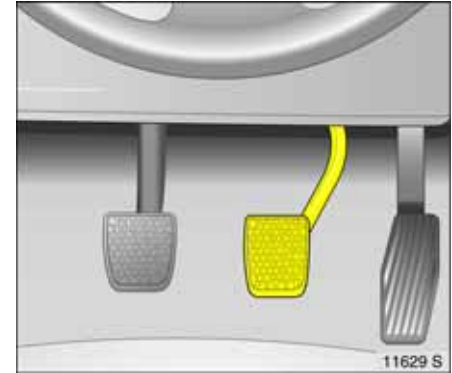
To improve effectiveness, do not brake unnecessarily hard for the first 125 miles (200 km) after new brake pads have been fitted.

Brake pad wear must not exceed a specified limit. Regular maintenance as detailed in the Service Booklet is therefore of the utmost importance for traffic safety.

Have worn brake pads replaced by a workshop.

Tested and approved pads give optimum braking performance.

Brake pads worn to the minimum level cause grinding noises. You may continue to drive but have the pads replaced as soon as possible. To change the pads, contact a workshop.



Brake assist

If the brake pedal is operated with a powerful push, the vehicle is automatically braked at full braking power in order to achieve the shortest possible braking distance when full-on braking occurs (braking assistant).

Maintain steady pressure on the brake pedal for as long as full-on braking is to continue. When the brake pedal is released, the maximum brake force amplification is taken away.

Foot brake

The foot brake comprises two independent brake circuits.

If one brake circuit faults, the vehicle can still be braked with the other brake circuit. However the braking effect will occur at a lower pedal position and considerably more force is required. The braking distance is longer. Contact a workshop before continuing to drive.

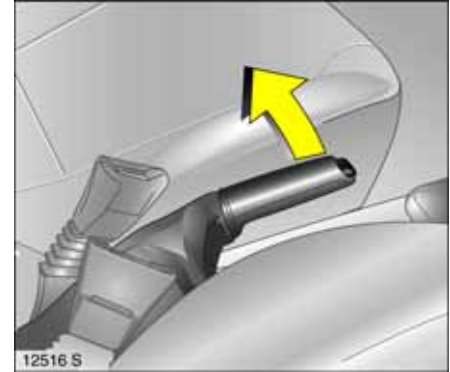
To ensure that full pedal travel can be utilized, especially in case of a fault in one of the brake circuits, there must be no mats in the vicinity of the pedals – see page 109.

When the engine is not running, the support of the brake servo unit disappears once the brake pedal has been depressed once or twice. Braking effect is not reduced, but braking requires significantly greater force. This is especially important to bear in mind when towing.

Check the brake lights before starting out on a journey.

Shortly after starting each journey the effectiveness of the brake system should be tested at low speed and without inconveniencing other traffic, especially if the brakes are wet, e.g. after the vehicle has been washed.

The brake fluid level should be checked regularly. If the brake fluid level is too low and the hand brake is not applied, control indicator R on the instrument panel illuminates – see page 72.



Hand brake

Always apply hand brake firmly. On slopes apply the hand brake as firmly as possible.

The mechanical hand brake acts on the brakes on the rear wheels. It engages automatically when applied.

To release the hand brake pull the lever up slightly, press the ratchet knob, and fully lower the lever.

To reduce the operating forces of the hand brake, depress the foot brake at the same time.



Brake system control indicator

The warning light comes on after the ignition is turned on, when the hand brake is applied or if the brake or clutch fluid level is too low. Brake fluid – see page 183.

For vehicles with Easytronic 3, the control indicator flashes for a few seconds when the ignition is turned off if the hand brake is not applied.

⚠ Warning

If the control indicator comes on when the hand brake is released, stop driving immediately. Contact a workshop.

Anti-lock Brake System (ABS)

ABS continuously monitors the vehicle's brake system and prevents the wheels from locking regardless of the road condition and tyre grip.

It starts to regulate the braking pressure as soon as a wheel shows a tendency to lock. The vehicle remains steerable, even in the event of very heavy braking, for instance on bends or when swerving to avoid an obstacle. Even in the case of full-on braking, the ABS makes it possible to drive round an obstacle without releasing the brakes.

ABS control is made apparent through a pulse in the brake pedal and the noise of the regulation process.

⚠ Warning

For optimum braking, keep the brake pedal fully depressed throughout the braking process, despite the fact that the pedal is pulsating. Do not reduce the pressure on the pedal.

Do not let this special safety feature tempt you into taking risks when driving.

Traffic safety can only be achieved by adopting a responsible driving style.



Control indicator \cup for ABS

It comes on for a few seconds after the ignition is turned on. The system is ready for operation when the control indicator goes out.

If the control indicator does not go out after a few seconds, or if it illuminates while driving, there is a fault in the ABS. The brake system remains operational without ABS regulation.

Self-check

Each time the ignition is turned on and the engine started, after moving away from a speed of around 1.9 mph (3 km/h) the system performs a self-check which may be audible.

Fault

9 Warning
If there is a fault in ABS, the wheels may be subject to locking due to braking that is heavier than normal. The advantages of ABS are no longer operational. The vehicle can no longer be steered and may swerve.

You can continue driving, provided you drive with care and anticipation.

Have the cause of the fault eliminated by a workshop. The self-diagnosis integrated into the system allows rapid fault identification.

Wheels, tyres

See page 170 for suitable tyres and restrictions.

Tyres fitted in the factory are adapted to the chassis and provide optimum driving comfort and safety.

Changing tyre/wheel type

Before changing to other tyres or wheels, note the necessary changes.

If tyres of a different size than those fitted at the factory are used, the electronic speedometer may require reprogramming to ensure that the correct speed is displayed.

⚠ Warning
Use of unsuitable tyres or wheels may lead to accidents and render the vehicle unroadworthy.

Fitting new tyres

Fit tyres in pairs or in sets, which is even better. Ensure that tyres on one axle are

- z the same size
- z the same design
- z the same make
- z and have the same tread pattern.

Fit directional tyres such that they roll in the direction of travel. The rolling direction is indicated by a symbol (e.g. an arrow) on the sidewall.

Tyres fitted opposing the rolling direction (such as when changing a tyre) should be refitted as soon as possible. This is the only way to benefit fully from the design properties of the tyre.

When disposing of tyres, follow the legal requirements.

Certain brands of tyre have a beaded edge to protect alloy wheels from damage. If wheel trims are used on steel wheels with beaded-edge tyres, the following procedure must be followed:

- z Use wheel trims and tyres that are approved by Vauxhall for the vehicle in question and therefore meet all the requirements pertaining to the respective wheel/tyre combination.
- z If the wheel trims and tyres used are not Vauxhall-approved, the tyres must not have a beaded edge.

⚠ Warning
Use of unsuitable tyres or wheel trims could lead to sudden loss of air and thereby accidents.



Tyre pressure

Check tyre pressure, including the spare wheel, at least every 14 days and prior to any long journey; the tyres should be checked when cold. Don't forget to check the spare 3.

Tyre pressure - see page 170 and the adhesive foil 3 on the door. Have adhesive foil replaced after changing to different tyre size.

Do not reduce tyre pressure when the tyres are warm. Otherwise the pressure may drop below the permissible minimum when the tyres cool down.

Screw on the valve cap after checking pressure.



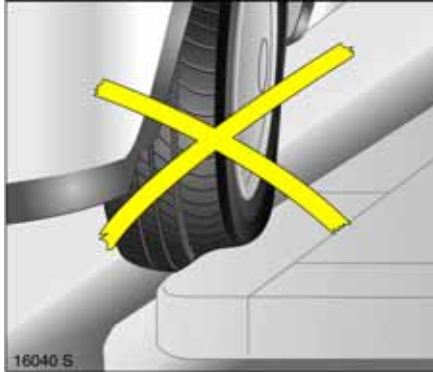
Incorrect inflation pressures will impair safety, vehicle handling, comfort and fuel economy and will increase tyre wear.

If the pressure is too low, this can result in considerable tyre heating and internal damage, leading to tread separation and even tyre blow-out at high speeds.

Hidden tyre damage is not eliminated by adjusting the inflation pressure.

9 Warning

Incorrect tyre pressure could lead to a flat tyre.



Tyre condition, wheel condition

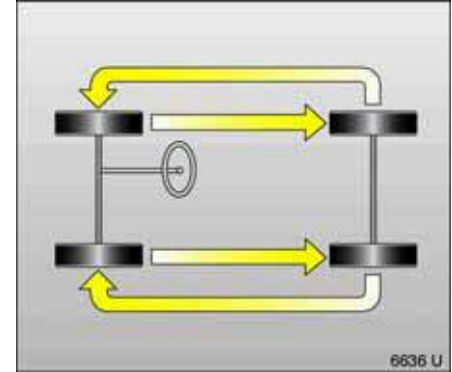
Drive over edges slowly and at a right angle if possible. Driving over sharp edges can lead to hidden tyre damage and wheel damage which is only noticed later on.

When parking, ensure that the tyres are not pressed against the edge of the kerb.

Check tyres regularly for damage (penetrated foreign bodies, punctures, cuts, cracks, bulges in side walls). Check wheels for damage. If damage or unusual wear is found, contact a workshop.

⚠ Warning

Damage may lead to tyre blow-out.



Tread depth

Check tread depth regularly.

If wear is greater in the front than in the rear, switch the front and rear tyres.

Correct tyre pressure.

For reasons of safety, tyres should be replaced when their tread depth has worn down to 2 to 3 mm (winter tyres: 4 mm).



The legally permissible minimum tread depth (1.6 mm) has been reached when the tread has worn down as far as one of the wear indicators (TWI¹⁾). A number of wear indicators are spaced at equal intervals around the tyre within the tread. Their position is indicated by markings on the tyre sidewall.

General information

- z The risk of aquaplaning is greater if the tyres are worn.
- z Tyres age, even if they are used only very little or not at all. A spare wheel which has not been used for six years should be used only in emergencies; drive slowly when using such tyres.
- z Never fit used tyres the previous history and use of which you do not know.
- z So as not to impair brake cooling, use only wheel trims approved for use on your vehicle.

Tyre designations

Meaning:

e.g. **185/55 R 15 82 H**

- 185** = Tyre width in mm
- 55** = Cross-section ratio (tyre depth to width in %)
- R** = Belt type **R**adial
- 15** = Wheel diameter in inch
- 82** = Load index
e.g. 82 corresponds to 475 kg
- H** = Speed code letter

Speed code letters:

- Q** up to 100 mph (160 km/h)
- S** up to 112 mph (180 km/h)
- T** up to 118 mph (190 km/h)
- H** up to 130 mph (210 km/h)
- V** up to 150 mph (240 km/h)
- W** up to 168 mph (270 km/h)

¹⁾ **TWI** = Tread **W**ear **I**ndicator.

Winter tyres 3

For notes on fitting new tyres – see page 127.

See page 170 for restrictions.

Winter tyres improve safety at temperatures below 7 °C and should therefore be fitted on all the wheels.

The design of summer tyres means they have limited qualities for winter driving.

If the maximum permissible speed for the winter tyres is less than that of the vehicle, a notice indicating the maximum permissible speed for the tyres must be affixed within the driver's field of vision¹⁾.

If you use the spare wheel when it is fitted with a summer tyre, the vehicle's driveability may be affected, especially on slippery road surfaces. Obtain a replacement for the faulty tyre as soon as possible, and have the wheel balanced and fitted to the vehicle.

Wheel covers 3

If the wheel trims and tyres used are not Vauxhall-approved, make sure that the tyres do not have a beaded edge – see page 127.

**Tyre chains 3**

Limitations and further information – see page 170.

Tyre chains are only permitted on the drive wheels (front axle). They must be fitted to the tyres symmetrically in order to achieve a concentric fit.

Always use fine mesh chains that add no more than 10 mm to the tyre tread and the inboard sides (including chain lock).

Wheel trim on steel wheels could come into contact with parts of the chain and be damaged. Remove the wheel trim – see page 140.

Tyre chains may only be used at speeds up to 30 mph (50 km/h) and, when travelling on roads that are free of snow, they may be used for brief periods only since they are subject to rapid wear on a hard road and may snap.

Temporary spare wheel

Tyre chains must not be used on the temporary spare wheel. If you need to use tyre chains after suffering a flat front tyre, fit the temporary spare on the rear axle and transfer one of the rear wheels to the front axle.

For notes on the temporary spare wheel – see page 139.

Wheel changing – see page 140.

¹⁾ Varies from country to country on account of national regulations.

Self-help, vehicle care

Diesel fuel system, bleeding	132
Bonnet	132
Starting	133
Starting the engine with jump leads 3	134
Towing the vehicle	136
Warning triangle + 3 and First-aid kit + 3	137
Spare wheel 3	138
Jack 3 and vehicle tools 3	139
Changing wheels	140
Tyre repair aerosol 3	144
Electrical system	146
Fuses and the most important circuits they protect	148
Bulb replacement	152
Halogen headlight system dipped and main beam	152
Turn signal lights	154
Fog lights 3	154
Tail lights	155
Number plate light	156
Courtesy light	157
Vehicle care	158

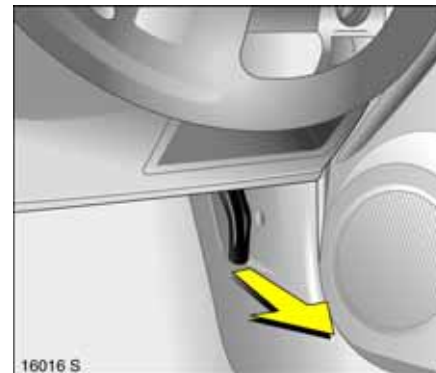
9 Warning

Disregard of these notes can lead to injuries which may be fatal. Vehicle passengers should be informed accordingly.

Diesel fuel system, bleeding

Never let the tank run dry! If control indicator Y illuminates, refuel as soon as possible. Refuel immediately if it flashes.

Restarting after running out of fuel is possible, but starting behaviour will be delayed. Turn on the ignition three times for 15 seconds each time. Then start the engine for a maximum of 40 seconds. If it does not start, repeat the process after waiting at least 5 seconds. If the engine still does not start, contact a workshop.



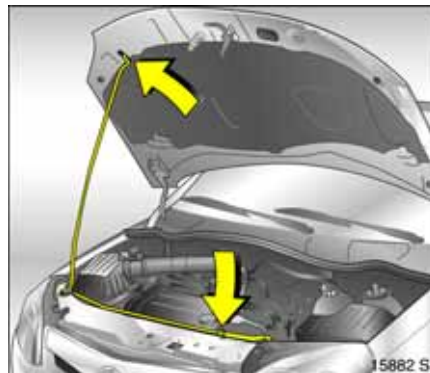
Bonnet

To open the bonnet, pull the release lever located on the driver's side below the instrument panel. The bonnet will then be unlocked and will partially open. Return release lever to its original position.



The bonnet catch is located beneath the bonnet about a handsbreadth to the right of the bonnet centre – as seen from the front: Raise and open the bonnet.

Any dirt or snow on the bonnet can slide down towards the windscreen when the bonnet is opened and block the air intake – see page 101.



To hold the bonnet in the open position, insert the support rod located at right angles above the radiator grille into the small slot in the underside of the bonnet. Press rod firmly into holder before closing.

Lower the bonnet and allow it to drop into its catch.

Check that the bonnet is locked in position by pulling at its front edge. If it is not engaged, repeat the procedure.

Starting

Do not start with quick charger

This prevents damage to electronic components.

Do not start by pushing or towing

Because your vehicle is fitted with a catalytic converter, it must not be started by pushing or towing – see page 114.

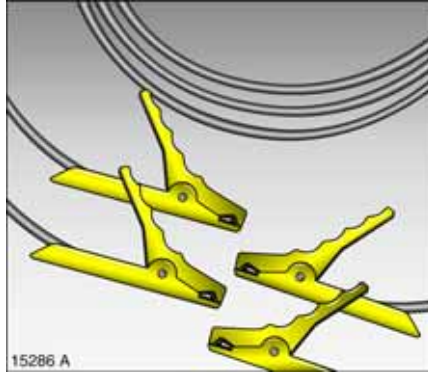
The vehicle can only be started using jump leads – see following page.

Starting the engine with jump leads 3

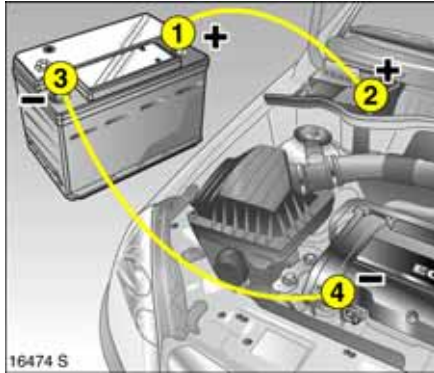
A vehicle with a discharged battery can be started using jump leads and the battery of another vehicle.

9 Warning

Be extremely careful when starting with jump leads. Any deviation from the following instructions can lead to injuries or damage caused by battery explosion or damage to the electrical systems of both vehicles.



- z Never expose the battery to naked flames or sparks.
- z A discharged battery can freeze at a temperature of around 0 °C. Always thaw a frozen battery in a warm room before connecting jump leads.
- z Do not allow battery fluid to come into contact with eyes, skin, fabrics or painted surfaces. The fluid contains sulphuric acid which can cause injuries and damage in the event of direct contact.
- z Wear eye protection and protective clothing when handling a battery.
- z Use auxiliary battery with same voltage (12 volts). Its capacity (Ah) must not be considerably less than that of the discharged battery. Voltage and capacity information can be found on the batteries.
- z Use jump leads with insulated terminals and a cross section of at least 16 mm² (25 mm² for diesel engines).
- z Do not disconnect the discharged battery from the vehicle.
- z Switch off all unnecessary electrical consumers.
- z Do not lean over the battery during jump starting.
- z Do not allow the terminals of one lead to touch those of the other lead.
- z Do not touch the vehicles while jump starting.
- z Apply hand brake. Manual transmission to neutral (Easytronic 3 to N).



Connect the leads in the order shown in the illustration:

1. Connect one end of the first jump lead to the positive terminal 1 of the battery providing the jump start (identified by "+" sign on battery case or terminal).
2. Connect the other end of this lead to the positive terminal 2 of the discharged battery ("+" sign).
3. Connect the first end of the other jump lead to the negative terminal 3 of the battery providing the start ("- " sign).
4. Connect the other end of the second jump lead 4 to ground on the other vehicle, e.g. engine block or screw connection in the engine suspension.

- z Do not connect leads to negative terminal of discharged battery!
- z The connection point should be as far away from the discharged battery as possible.
- z Route the leads so that they cannot catch on rotating parts in the engine compartment.

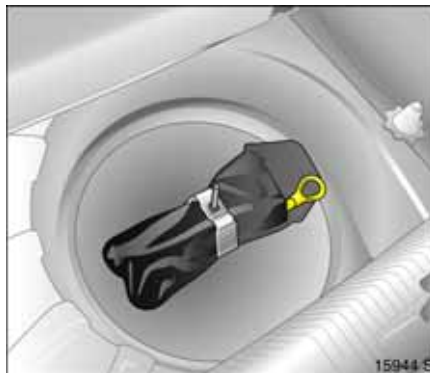
- z Start the engine of the vehicle providing the jump start.
- z After 5 minutes, start the other engine. Start attempts should be made at intervals of 1 minute not last longer than 15 seconds.
- z After starting, allow both engines to idle for approx. 3 minutes with the leads connected.
- z In order to avoid excess voltage in the electrical system, before removing a lead, switch on an electrical consumer (e.g. light, heated rear window) in the vehicle receiving the jump start.
- z Reverse above sequence exactly when removing leads.



Towing the vehicle

To open the cap of the front right towing eye: disengage bottom of the cap and pull downwards to remove.

The towing eye is in the pouch or the storage compartment for vehicle tools – see page 139. Spare wheel – see page 138.



For reasons of design, the wheel well insert 3 must not be removed. The installation position is indicated by an arrow pointing to the direction of travel.

Screw in the towing eye anti-clockwise as far as it will go until it stops in a horizontal position.

Attach a tow rope 3 – or better still a tow rod 3 – to the eye.

The towing eye must only be used for towing and not recovering a vehicle.

Switch on ignition to release steering column lock and to permit operation of brake lights, horn and windscreen wiper.



Manual transmission in neutral, Easytronic 3 in N.

Drive off slowly and avoid jerky movements. Impenissible high tractive forces could damage the vehicles.

9 Warning

For braking and steering, significantly higher forces are required: brake assistance and steering assistance are effective only with the engine running.

To prevent the entry of exhaust fumes from the towing vehicle, switch on the air recirculation 3 and close the windows.

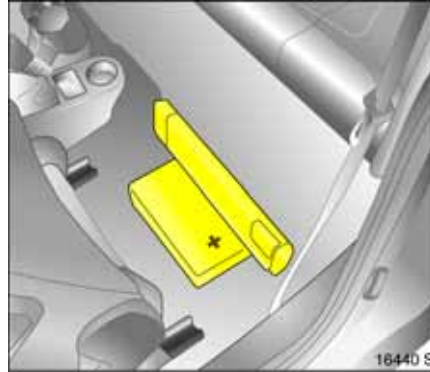
Contact a workshop.

If the clutch is released manually after a power failure on vehicles with Easytronic 3, towing is not permitted, see page 107. In this case, contact a workshop immediately.

After towing, unscrew towing eye by rotating clockwise and insert and close the cap.

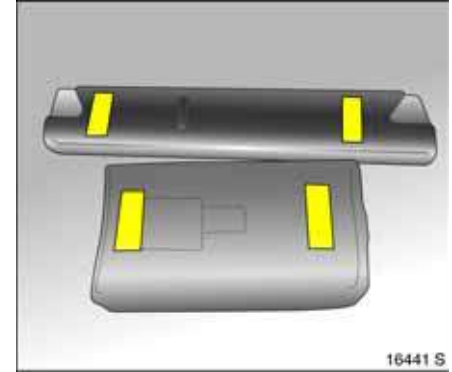
Towing service

Entrust your vehicle only to the towing service of your choice and obtain an estimate on towing costs before employing any towing service. In this way you avoid unnecessary costs and possible insurance problems during claim processing.



Warning triangle + 3 and First-aid kit + 3

Fasten the warning triangle and first-aid kit (cushion) to the flooring with velcro straps as illustrated.



Fasten the velcro straps to the warning triangle and the first-aid kit (cushion) as illustrated.

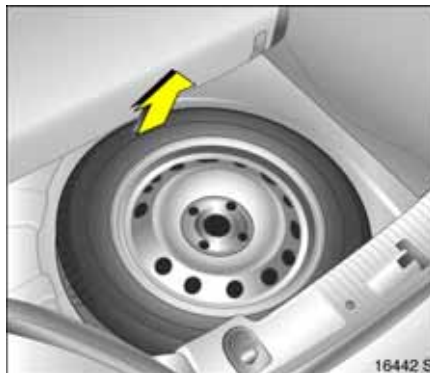


Spare wheel 3

Some vehicles are equipped with a tyre repair aerosol instead of a spare wheel. See page 144.

The spare wheel is stowed in the luggage compartment, held in place under a floor cover with a wing nut.

Close the Retractable steel roof – see page 38. Fold luggage compartment partition forward – see page 49.



Pull the spare wheel forward and then upward out of the wheel well.

General information

Depending on the version, the spare wheel is in the form of an temporary spare wheel 3. Please pay attention to instructions concerning temporary spare wheel on following page and pages 131, 170.

On vehicles with alloy wheels 3 the spare wheel may have a steel rim.

If you use winter tyres 3, the spare wheel may still be fitted with a summer tyre. If you use the spare wheel the vehicle's handling may be altered. Obtain a replacement for the faulty tyre as soon as possible, and have the wheel balanced and fitted to the vehicle.

The spare wheel may have a smaller tyre and a smaller rim than the wheels mounted on the vehicle¹⁾: Using the spare wheel may alter the driving behaviour of the vehicle. Have the defective tyre replaced as soon as possible, balance the wheel and have it mounted on the vehicle.

¹⁾ Country-specific version: In some countries, the spare wheel may only be used as a temporary spare wheel.

Notes on temporary spare wheel 3

- z If the temporary spare wheel is used the handling of the vehicle may change, particularly if winter tyres 3 are being used. The Electronic Stability Program ESP® Plus 3 may switch itself off. Replace defective tyres as soon as possible, balance wheel and fit to vehicle.
- z Fit only one temporary spare wheel.
- z Do not drive faster than 50 mph (80 km/h).
- z Take curves slowly.
- z Do not use the temporary spare wheel for a lengthy period.
- z Replace temporary spare wheel with full specification wheel without delay.
- z Tyre chains are not permitted on the temporary spare wheel. If tyre chains have to be used after a front wheel puncture, fit temporary spare wheel to the rear axle and fit a rear wheel to the front axle. Check tyre pressure and correct if necessary, see pages 128, 170.
- z Note the information on the temporary spare wheel on pages 131, 170.

Notes on directional tyres 3

Directional tyres only achieve their full performance potential when mounted in the prescribed direction of rotation. If after a flat tyre, the tyre or spare wheel is mounted against the prescribed direction of rotation, observe the following:

- z Driving conditions may be altered. Replace the defective tyre as soon as possible, balance the wheel and mount it on the vehicle.
- z Do not drive faster than 50 mph (80 km/h).
- z Drive especially carefully in wet or snowy weather.

For further information on directional tyres - see page 127.

**Jack 3 and vehicle tools 3**

The jack and the vehicle tools have been specially developed for your vehicle and must only be used on that vehicle. Only use jack for changing wheels.

The jack and vehicle tools are located in a pouch or in a stowage compartment in the spare wheel well in the luggage compartment.

For reasons of design, the wheel well insert 3 must not be removed. The installation position is indicated by an arrow pointing to the direction of travel.

Changing wheels

Some versions have tyre repair aerosol instead of a spare wheel – see page 144.

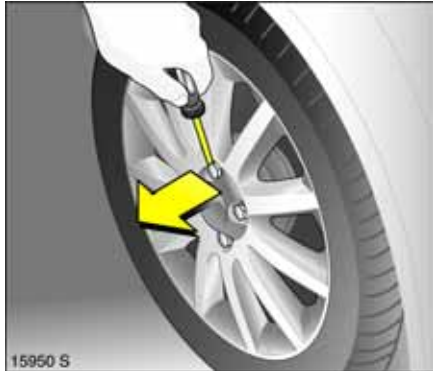
To ensure your safety, make the following preparations and observe the following information when changing wheels:

- z Park the vehicle on a level, firm and non-skid surface.
- z Close Retractable steel roof – see page 38.
- z Switch on the hazard warning flashers, apply the hand brake, engage first gear or reverse.
- z Correctly set up the warning triangle. Warning triangle – see page 137.
- z Remove spare wheel 3 from luggage compartment – see page 138.
- z Before raising the vehicle, set the front wheels to the straight-ahead position.
- z Never change more than one wheel at once.
- z Block the wheel diagonally opposite the wheel to be changed by placing wedge blocks or equivalent in front and behind the wheel.
- z Use the jack 3 only to change wheels.
- z If the ground on which the vehicle is standing is soft, a solid board (max. 1 cm thick) should be placed under the jack 3. Using a thicker board could damage the jack and the vehicle.
- z No people or animals may be in the vehicle when it is jacked up.
- z Never crawl under a jacked-up vehicle.
- z Do not start or run the engine while the vehicle is on the jack.
- z Before inserting the wheel bolts when changing wheels, lightly grease the cone of each bolt. For this reason, carry some conventional grease.



1. Remove wheel cover with hook 3. Tool kit – see page 139.

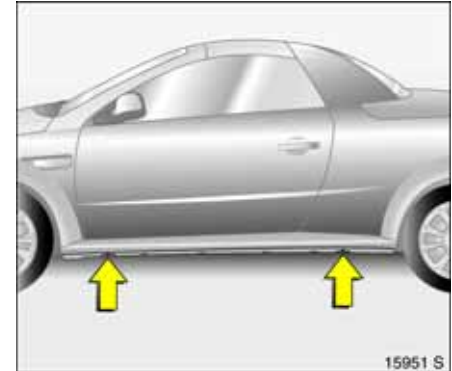
If the wheel trim has visible wheel bolts 3, the trim can remain on the wheel. The retaining washers 3 on the wheel bolts must not be removed.



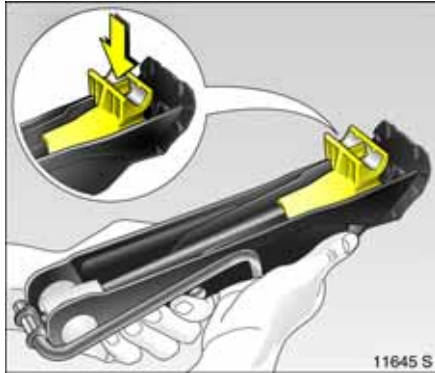
Alloy wheels 3: Prise off the wheel bolt caps 3 with a screwdriver. Protect the rim by placing a soft cloth between the screwdriver and the alloy wheel.



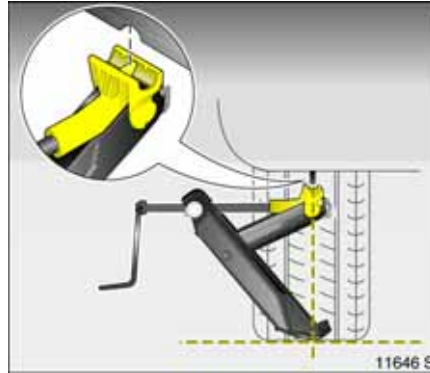
2. Turn wheel bolts half a turn using the wheel bolt wrench 3, pushing the wrench 3 on as far as possible.



3. The jacking points on the vehicle underbody are marked by depressions on the lower body sill.



4. Before positioning the jack 3, set it to the necessary height by rotating the eye by hand. Position the jack arm at the front or rear so that the jack claw (arrow in Fig.) spans the vertical base and grips in the recess in the vertical base. Make sure it is properly positioned.



The edge of the jack base must be on the ground directly below the jacking point in a manner that prevents it from slipping.

Raise vehicle by turning crank handle.
If this is not the case, carefully lower the vehicle immediately and reposition the jack.

5. Unscrew wheel bolts and wipe clean with a cloth. Then apply a light coating of grease to the wheel bolts. Do not grease the thread of the bolts. Do not put the wheel bolts down in a location where they may become soiled.

If the wheel bolts have retaining washers 3, they must not be removed.

6. Change the wheel. Notes on spare wheel – see page 138, notes on temporary spare wheel – see page 139.



7. Screw in wheel bolts and tighten slightly, inserting the wheel bolt wrench 3 as far as possible.
8. Lower vehicle.
9. Tighten wheel bolts crosswise, putting on wheel bolt wrench 3 as far as possible.
10. Before refitting the wheel trim, clean the wheel around the retaining clips. Valve symbol 3 on back of wheel trim must point towards valve on wheel.
Position and engage wheel trim.
Alloy wheels 3: Align and refit wheel bolt caps 3.
11. Stow the replaced wheel - see page 138.
Put away the tools and warning triangle - see pages 137, 139.
12. Check the pressure of the newly fitted wheel. Adjust as necessary.
13. Have the tightening torque of the wheel bolts on the new wheel checked on the vehicle using a torque wrench as soon as possible and, if necessary, corrected.
Tightening torque - see page 170.
14. Replace the faulty tyre on the wheel that was removed.
15. Replace temporary spare wheel 3 with a full specification wheel without delay.



Tyre repair aerosol 3

Minor damage to the tyre tread and sidewall, e.g. foreign bodies, can be remedied with the tyre repair aerosol.

In the event of a flat tyre:

- z Park on a level, firm and non-slippery surface.
- z Switch on the hazard warning flashers, apply the hand brake, engage first gear or reverse.
- z Correctly set up the warning triangle.
Warning triangle – see page 137.

The tyre repair aerosol is located in the luggage compartment in the spare wheel well.

1. Remove foreign bodies from the tyre and turn the wheel so that the tyre valve is horizontal, that is to say at the midline of the wheel.
2. Completely relieve tyre pressure by pressing the valve core inward with a screwdriver.
3. Shake the aerosol can well. If temperatures are low, warm with your hands or the air vents in the vehicle interior with the engine running and the heating on - see page 96.
4. Screw connecting piece on hose of aerosol to tyre valve.

5. Remove the seal. Hold the aerosol upright and depress the button until the aerosol has completely discharged. The tyre has then been filled.
6. Unscrew the connector from the tyre valve.
7. Collapse the warning triangle and stow it behind the left seat.
8. Immediately drive 3 to 6 miles (5 to 10 km) at a speed of no more than 30 mph (50 km/h). This distributes the sealant throughout the tyre.
9. After first making sure there are no naked flames nearby, release the gas in the tyre as quickly as possible by pressing the valve core inward with a screwdriver. Fill the tyre with compressed air.
10. Check the tyre pressure at regular intervals.
11. Have the tyre repaired as soon as possible and inform the workshop that tyre repair aerosol was used.

**Note****⚠ Warning**

Do not drive faster than 30 mph (50 km/h).

Take curves slowly.

Have the repaired tyre replaced as soon as possible.

Steerability and driving behaviour may be impaired.

The tyre repair aerosol is highly inflammable.

Only stow the tyre repair aerosol in the luggage compartment.

Follow the instructions on the tyre repair aerosol.

The tyre repair aerosol allows for temporary use of the tyre; it merely allows for continued travel until the tyre can be changed.

Fold the used tyre repair aerosol in a cloth and stow in the luggage compartment.

The tyre repair aerosol can only be used once for repair and must then be replaced. Contact a workshop.

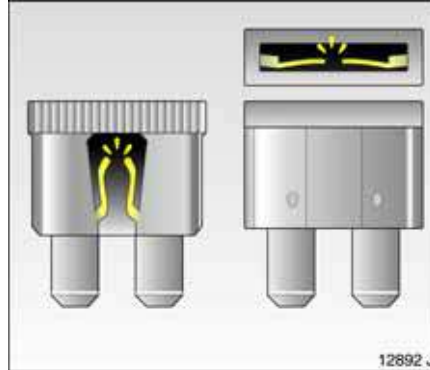
The tyre repair aerosol can only be used on one tyre at a time.

Follow national legislation when disposing of used tyre repair aerosol.

Electrical system

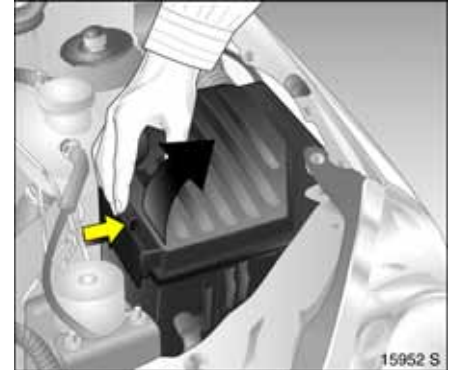
9 Warning

Electronic ignition systems generate very high voltages. Do not touch the ignition system; high voltage can be fatal.



Fuses

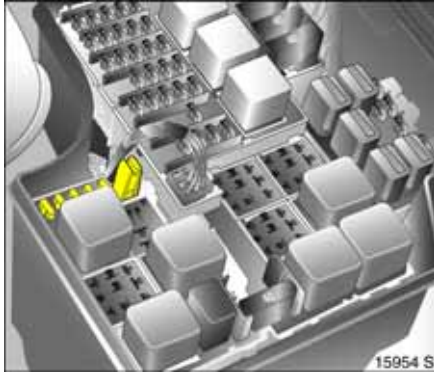
A defective fuse can be recognized by its melted wire. A new fuse should only be installed after the cause of the trouble has been rectified.



Fuse box

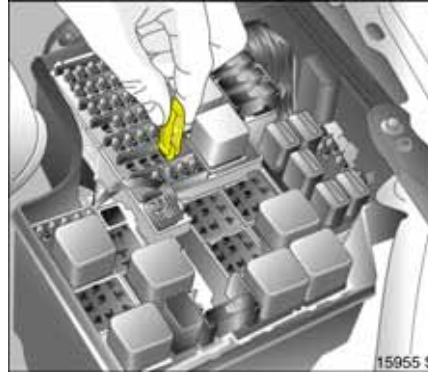
The fuse box is located in the engine compartment next to the coolant expansion tank.

Disengage cover of fuse box from lug and lift off.



We recommend carrying a complete set of fuses.

Store spare fuses in the place provided in the fuse box, to the right of which there is a fuse extractor which facilitates fuse replacement (spare fuses and the fuse extractor are marked in yellow in the figure).



Before replacing a fuse, turn off the respective switch and the ignition.

Slot fuse-gripping tool onto fuse and withdraw it.

Always use fuses with the correct current value. This is shown on each fuse, and is also indicated by the fuse colour and the plug-in location in the fuse box.

Fuse colour	Fuse rating
Grey	2 A
Brownish yellow	5 A
Brown	7.5 A
Red	10 A
Blue	15 A
Yellow	20 A
Light green	30 A
Pink (Maxi-Fuse)	30 A
Orange	40 A
Red (Maxi-Fuse)	50 A
Yellow (Maxi-Fuse)	60 A
Black (Maxi-Fuse)	80 A



No.	Circuit	Rating
5	Electric window (left)	30 A
6	-	-
7	-	-
8	Starter switch, starter	10 A
9	Injection system, fuel pump	20 A
10	Horn	10 A
11	Central control unit	15 A
12	Information display, Infotainment system: engine ¹⁾ Z 13 DT	20 A
		10 A

Fuses and the most important circuits they protect

Some circuits may be protected by several fuses.

The figures on pages 148, 149 depict the fuse boxes of vehicles with engine Z 13 DT¹⁾. Fuse boxes of other engines are depicted on pages 150, 151.

No.	Circuit	Rating
1	Central control unit	7.5 A
2	Engine control unit	7.5 A

No.	Circuit	Rating
3	Instruments, information display, light switch, horn, hazard warning lights, immobilizer	7.5 A
4	-	-

¹⁾ Sales designation, see page 164.

No.	Circuit	Rating
13	Vauxhall alarm system	7.5 A
14	Heated exterior mirrors	7.5 A
15	Windscreen wash system	15 A
16	Courtesy light	7.5 A
17	Central control unit	20 A
18	Heated rear window	20 A



No.	Circuit	Rating
19	Electric window (right)	30 A
20	-	-
21	-	-
22	Central control unit, immobilizer	5 A
23	Windscreen wiper	30 A

No.	Circuit	Rating
24	Infotainment system, Information display, Light switch, Courtesy light, Instruments, ESP ^{Plus}	5 A
25	Reversing lights, cigarette lighter, accessory socket	20 A
26	Seat heater (right)	15 A
27	Seat heater (left)	15 A



No.	Circuit	Rating
37	Right dipped beam, headlight range adjustment	10 A
38	Tail light (left), parking light (left)	5 A
39	Tail light (right), parking light (right)	5 A
40	Brake lights, cruise control	10 A
41	Fog lights	15 A

No.	Circuit	Rating
28	ABS	25 A
29	Retractable steel roof	20 A
30	Engine control unit	15 A
31	Air conditioning system	15 A
32	ABS, airbag	5 A

No.	Circuit	Rating
33	Petrol engine: Engine control unit Diesel engine: Engine control unit	15 A
34	Diesel filter heater	30 A
35	Electric window, Infotainment system	5 A
36	Dipped beam (left)	10 A

No.	Circuit	Rating
42	Fog tail light	10 A
43	Main beam (left)	10 A
44	Main beam (right)	10 A
45	Ventilation fan	30 A
46	Engine control unit	20 A
47	Retractable steel roof	30 A
48	Starter	30 A



No.	Circuit	Rating
49	ESP®Plus	50 A
50	ABS, ESP®Plus	40 A
51	Petrol engine: Easytronic	60 A
	Diesel engine: Engine control unit	80 A

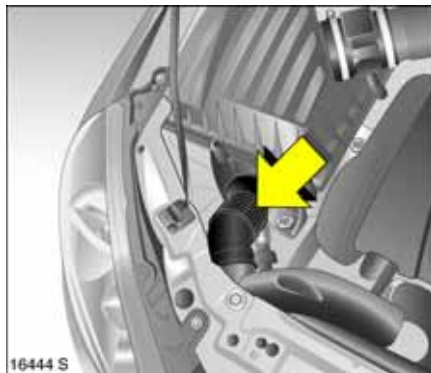
No.	Circuit	Rating
52	Cooling fan petrol engine without air conditioning	30 A
	petrol engine with a air conditioning and diesel engine	40 A
53	Air conditioning system cooling fan: Petrol engine	30 A
	Diesel engine	40 A
54	-	-

Bulb replacement

Before replacing a bulb, switch ignition off and switch relevant switch off.

Only hold new bulb at base! Do not touch the bulb glass with bare hands, otherwise fingerprints on the glass evaporate. Residue builds up on the reflector eventually resulting in a dull reflector. Inadvertently stained bulbs may be cleaned with a clean non-fluffy cloth, using alcohol or white spirits.

The replacement bulb must be in accordance with the data on the base of the defective bulb. Do not exceed wattage given on bulb base.

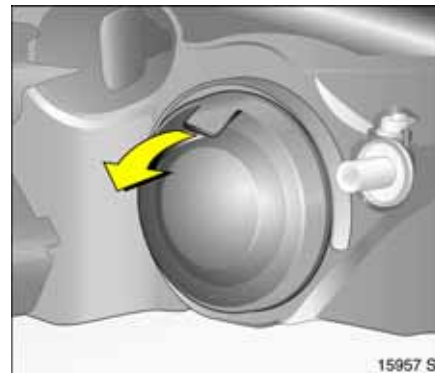


When replacing bulbs in the front right headlight, detach the air hose from the air filter.

Headlight aiming

We recommend that headlight adjustment be carried out by a workshop who will have special equipment.

When adjusting headlights, headlight range adjustment must be set to 0.

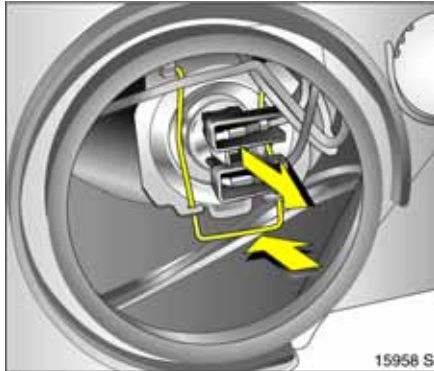


Halogen headlight system dipped and main beam

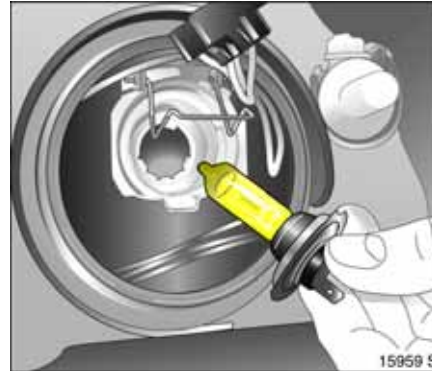
Headlight system with separate bulbs for dipped beam (inner bulbs) and main beam (outer bulbs).

Dipped beam

1. Open bonnet and engage support.
2. When replacing bulbs on the right-hand side, detach the air hose from the air filter – see notes on this page.
3. Remove dipped headlight protective cover.



4. Detach plug connector from bulb.
5. Disengage spring wire clip from retaining lugs by moving it sideways and swivel it upward.
6. Remove bulb from reflector housing.



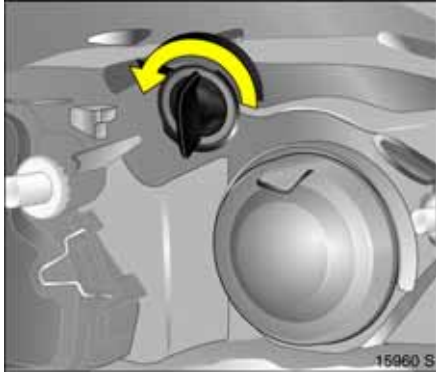
7. When fitting a new bulb, engage the lugs in the recesses on the reflector without touching the glass.
8. Engage spring wire clip, plug connector onto bulb.
9. Place headlight protective cover in position and close.
10. After replacing the bulb on the right-hand side, re-attach the air hose to the air filter and engage.

Main beam

Have bulbs changed by a workshop.

Parking lights

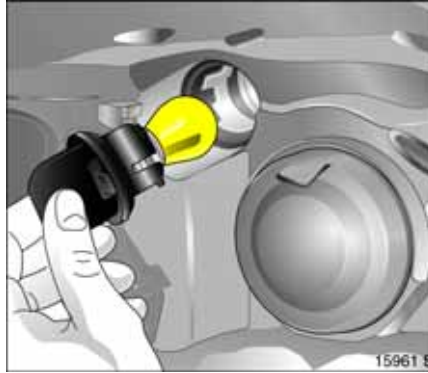
Have bulbs changed by a workshop.



Turn signal lights

Front indicator lights

1. Open bonnet and engage support.
2. When replacing bulbs on the right-hand side, detach the air hose from the air filter – see page 152.
3. Rotate bulb holder to left and disengage.



4. Push bulb into holder a little, rotate left and remove.
5. Insert new bulb, without touching the glass.
6. Engage holder into reflector by rotating to the right.

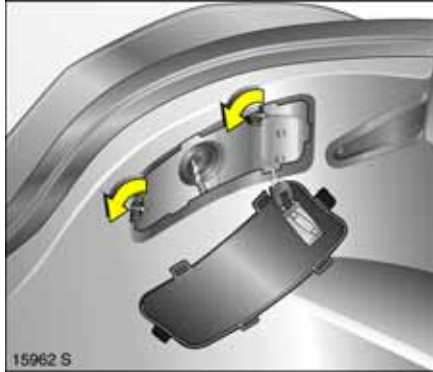
7. After replacing the bulb on the right-hand side, reattach the air hose to the air filter and engage.

Side turn signal light

Have bulbs changed by a workshop.

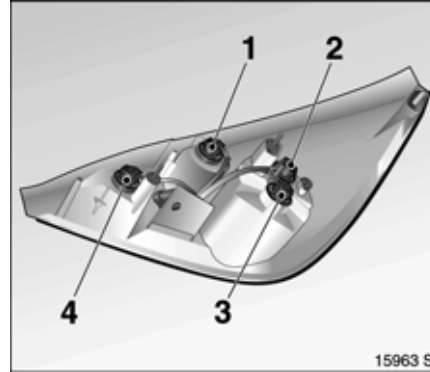
Fog lights 3

Have bulbs changed by a workshop.



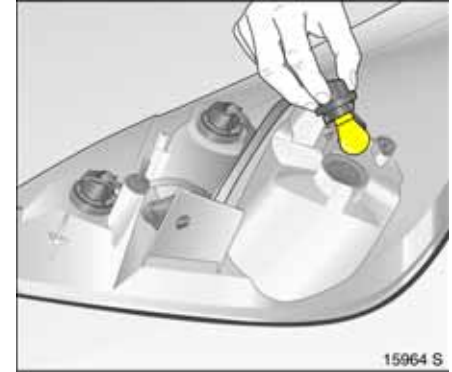
Tail lights

1. Open the luggage compartment.
2. Disengage cover of retaining lugs and remove.
3. Hold bulb housing from the outside; unscrew both retaining nuts.
4. Detach bulb housing towards the rear.

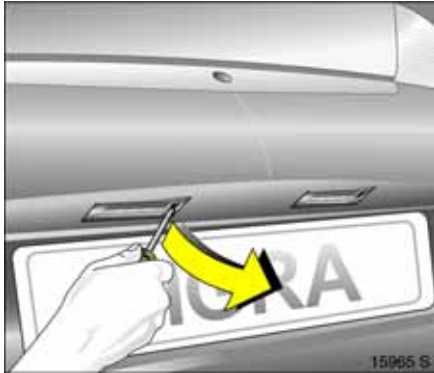


5. Disengage and remove socket by turning anti-clockwise:
 - 1 = Reversing light bulb
 - 2 = Turn signal bulb
 - 3 = Tail light/brake light bulb
 - 4 = Fog tail light bulb¹⁾

¹⁾ Country-specific version: fog tail light on one side only.



6. Push bulb into holder a little, rotate left and remove.
7. Insert new bulb, without touching the glass.
8. Engage holder into reflector by rotating to the right.
9. Insert bulb housing in body and tighten retaining nuts by hand.
10. Fit cover.



Number plate light

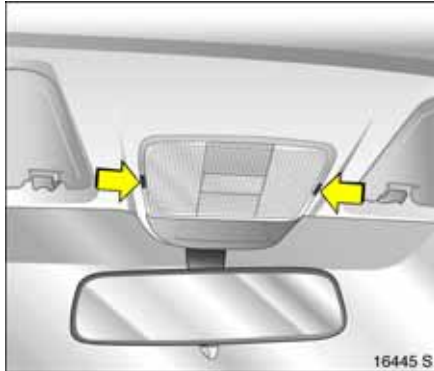
1. Insert screw driver vertically on right-hand side of bulb housing, exert pressure towards the right and disengage spring. Remove the bulb housing downwards.



2. Rotate bulb holder to left and disengage.



3. Remove bulb from socket.
4. Insert new bulb, without touching the glass.
5. Engage bulb holder by rotating right in light housing. Insert light housing and engage.

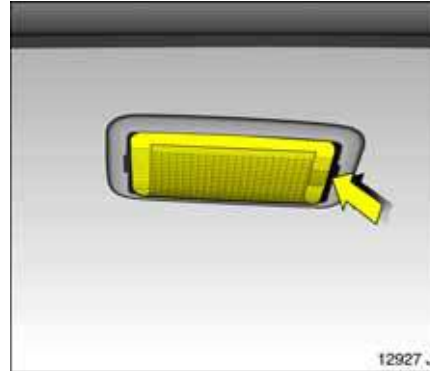


Courtesy light

Front courtesy light

To ensure that no power is supplied to the lights, close the doors before removing.

1. Unclip the scatter disc on the housing at the points shown.
2. Remove bulb from socket.
3. Insert new bulb, without touching the glass.
4. Mount lens and engage in position.



Luggage compartment light

To ensure that no power is supplied to the lights, hold contact switch depressed before removing.

1. Prise the light out with a screwdriver.



2. Press bulb slightly towards spring clip and remove.
3. Insert new bulb, without touching the glass.
4. Insert light in opening and engage in position.

Instrument illumination, information display illumination

Have bulbs changed by a workshop.

Vehicle care

When caring for your vehicle, observe all national environmental regulations, particularly when washing it.

Regular, thorough care helps to improve the appearance of your vehicle and maintain its value over the years. It is also prerequisite for warranty claims for any paint or corrosion damage. The following pages contain tips for vehicle care which, if used properly, will help combat the unavoidable damaging effects of the environment.

Vehicle care aids 3

Vehicle wash:

- z Wash brush
- z Shampoo
- z Sponge
- z Insect Removal Sponge
- z Chamois

Vehicle care:

- z Paintwork Cleaner
- z Paintwork Polish
- z Metallic Paintwork Wax
- z Hard wax
- z Vauxhall Touch-up pens,
- z Vauxhall Touch-Up/Aerosol Paint
- z Wheel Preserver
- z Insect Remover
- z Window Cleaner
- z Vauxhall Cleaning Solvent and Antifreeze
- z Silicone Oil for Rubber Seals
- z Cleaner

Washing

The paintwork of your vehicle is exposed to environmental influences, e.g. continuous changes in weather conditions, industrial waste gases and dust or thawing salts, so wash and wax your vehicle regularly. When using automatic car washes, select a programme which includes waxing.

Bird droppings, dead insects, resin, pollen and the like should be cleaned off immediately, as they contain aggressive constituents which can cause paint damage.

When using car washes, follow the instructions of the car wash manufacturer. Switch off the windscreen wiper – see pages 11, 87. Unscrew antenna rod 3.

If you wash your vehicle by hand, make sure that the insides of the wings are also thoroughly rinsed out.

Clean edges and folds on opened doors and flaps as well as the areas they cover.

Thoroughly rinse off and leather-off the vehicle. Rinse leather frequently. Use separate leathers for paint and window surfaces: remnants of wax on the windows will impair vision.

Observe national regulations.

Waxing

Wax your vehicle regularly, in particular after it has been washed using shampoo and at the latest when water no longer forms beads on the paintwork, otherwise the paintwork will dry out.

Also wax edges and folds on opened doors and flaps as well as the areas they cover.

Polishing

Polishing is necessary only if the paint has become dull or if solid deposits have become attached to it.

Paintwork polish with silicone forms a protective film, making waxing unnecessary.

Plastic body parts should not be treated with wax and polish.

Use Metallic Paintwork Wax on vehicles with a metallic-effect paint finish.

Wheels

Use a pH-neutral wheel cleaning agent to clean the wheels.

Wheels are painted and can be treated with the same agents as the body. For alloy wheels we recommend use of Alloy Wheel Preserver.

Paintwork damage

Repair minor paintwork damage such as stone chips, scratches etc. immediately using the touch-up pen or spray before rust forms. If rust has already formed, have a workshop eliminate the cause.

Also check the surfaces and edges facing the road surface on which rust may have developed for some time unnoticed.

Exterior lights

Headlight and other protective light bezels are made of plastic. If they require additional cleaning after the vehicle has been washed, clean them with Car Shampoo. Do not use any abrasive or caustic agents, do not use an ice scraper, and do not clean them dry.

Plastic and rubber parts

If the carwash does not clean plastic and rubber parts adequately, use cleaner suitable for vehicle interiors. Do not use any other agent, and in particular do not use solvents or petrol.

Do not use high-pressure jet cleaners.

Wheels and tyres

Do not use high-pressure jet cleaners.

Interior and upholstery

Clean the vehicle interior, including the instrument panel fascia, using interior cleaner.

The instrument panel should only be cleaned using a soft damp cloth.

Clean fabric upholstery with a vacuum cleaner and brush. To remove stains, use cleaner that is suitable for both fabrics and vinyl.

Do not use cleaning agents such as acetone, tetrachloride, paint thinner, paint remover, nail varnish remover, washing powder or bleach. Petrol is also unsuitable. Open velcro fasteners on clothing could damage seat upholstery. Make sure that velcro fasteners are closed.

Seat belts

Always keep seat belts clean and dry.

Clean only with lukewarm water or Cleaner.

Windows

When cleaning the heated rear window, make sure that the heating element on the inside of the window is not damaged.

Use a soft lint-free cloth or chamois leather in conjunction with Window Cleaner and Insect Remover.

Vauxhall Windscreen Wash Solvent is suitable for defrosting windows.

For mechanical removal of ice, use a commercially available sharp-edged ice scraper. Press the scraper firmly against the glass so that no dirt can get under it and scratch the glass.

Windscreen wiper blades

Wax, such as that used in car washes, can cause streaking on the windscreen when the wiper is used.

Smearing wiper blades can be cleaned with a soft cloth and Vauxhall Windscreen Wash Solvent, and replaced if necessary – see page 184.

Locks

The locks are factory-lubricated with a high quality lock cylinder grease. This prevents the locks from freezing. Only use Vauxhall De-icer in urgent cases as this destroys the grease and damages the function of the locks. After using Vauxhall De-icer, have a workshop re-grease the locks.

Engine compartment

Clean painted surfaces in the engine compartment like any other painted surface.

It is advisable to wash the engine compartment before and after winter and preserve it with wax. Before engine washing, cover alternator and brake fluid reservoir with plastic sheeting.

When washing the engine with a steam-jet cleaner, do not direct the steam jet at components of the Anti-lock Brake System 3, the automatic air conditioning system 3 or the belt drive and its components.

Engine washing also removes subsequently applied protective wax. Therefore after washing, have a workshop protect the engine, parts of the braking system in the engine bay, axle elements with steering, body elements and cavities, thoroughly with protective wax.

An engine wash can be performed in the spring in order to remove dirt that has adhered to the engine compartment, which may also have a high salt content. Check protective wax layer and make good if necessary.

Do not use high-pressure jet cleaners.

Underbody

Your vehicle has a factory-applied PVC undercoating in the wheel arches (including the longitudinal members) which provides permanent protection and needs no special maintenance. The surfaces of the vehicle underbody not covered by PVC are provided with a durable protective wax coating in critical areas.

On vehicles which are washed frequently in automatic car washes with underbody washing facility, the protective wax coating may be impaired by dirt-dissolving additives, so check the underbody after washing and have it waxed if necessary. Before the start of the cold weather season, check the PVC coating and protective wax coating and, if necessary, have them restored to perfect condition.

Caution - commercially available bitumen/rubber materials can damage the PVC coating. We recommend that you have underbody work carried out by a workshop, who knows the prescribed materials and has experience in the use thereof.

The underbody should be washed following the end of the cold weather season to remove any dirt adhering to the underbody since this may also contain salt. Check protective wax coating and, if necessary, have it restored to perfect condition.

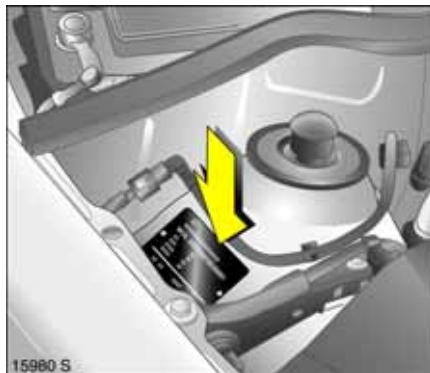
Retractable steel roof

Coat all seals, such as on the roof and the windscreen frame, with silicone oil from time to time. A constant close contact between the fine rubber lips and the sealing faces ensures a tight fit and low closing forces.

Do not use high-pressure jet cleaners.

Technical data

Vehicle documents, identification plate.....	162
Vehicle identification data.....	163
Coolant, brake fluid, oils	163
Engine data.....	164
Performance.....	165
Fuel consumption, CO ₂ emissions	166
Weights, payload and roof load	168
Tyres	170
Electrical system	172
Capacities	173
Dimensions.....	174



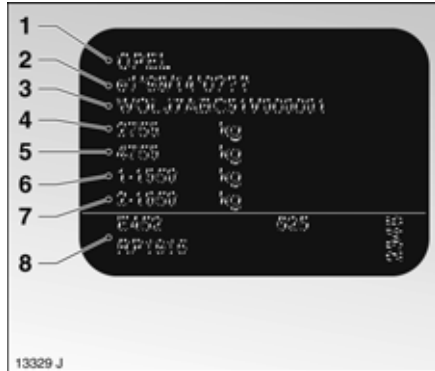
Vehicle documents, identification plate

The technical data is determined in accordance with European Community standards. We reserve the right to make modifications. Specifications in the vehicle documents always have priority over those given in this manual.

The identification plate is located on the right MacPherson strut tower in the engine compartment.

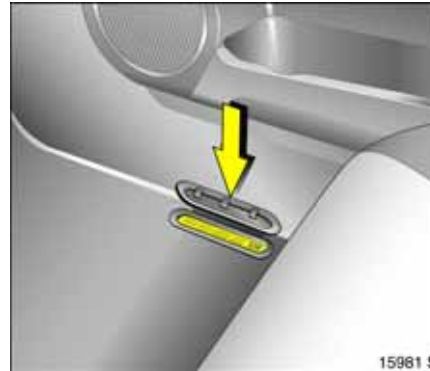


In another version, the identification plate is attached to the right hand front door frame.



Information on identification plate:

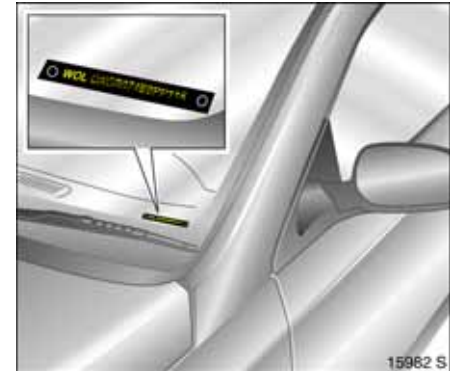
- 1 Manufacturer
- 2 Type approval number
- 3 Vehicle identification number
- 4 Gross vehicle weight rating
- 5 Permissible gross train weight
- 6 Maximum permissible front axle load
- 7 Maximum permissible rear axle load
- 8 Vehicle-specific or country-specific data



Vehicle identification data

The vehicle identification number is stamped on the identification plate (see previous page) and in the vehicle floor on the right-hand side under a cover between the driver's door and seat.

On some versions, the VIN can also be found on the dashboard – see figure 15982 S.



Engine identifier and engine number: marked on left-hand side of engine in engine block.

Coolant, brake fluid, oils

Only use approved fluids.

Use of unsuitable fluids can cause serious damage to the vehicle.

Engine oils

Information on engine oils is found in the Service Booklet.

Engine data

Sales designation Engine identifier code	1.4 TWINPORT Z 14 XEP	1.8 Z 18 XE	1.3 CDTI Z 13 DT
Number of cylinders	4	4	4
Piston displacement (cm ³)	1364	1796	1248
Brake horse power (kW/bhp) at rpm	66 5600	92 6000	51 4000
Torque (Nm) at rpm	125 4000	165 4600	170 1750 to 2500
Type of fuel ¹⁾	Petrol	Petrol	Diesel
Octane requirement (RON) unleaded or unleaded or unleaded	95 ²⁾ 98 ²⁾ 91 ²⁾³⁾	95 ²⁾ 98 ²⁾ 91 ²⁾³⁾	– – –
Cetane requirement (CN)	–	–	49 ⁴⁾
Max. permissible engine speed, continuous operation (rpm) approx.	6200	6500	5100 to 5300
Oil consumption (l/1000 km)	0.6	0.6	0.6

1) Standard quality fuel, e.g. unleaded DIN EN 228, diesel DIN EN 590 bold: recommended fuel.

2) Knock control system automatically adjusts ignition timing according to type of fuel used (octane number).

3) Slight reduction in engine output and torque if 91 RON is used.

4) A lower value is possible with winter diesel fuels.

Performance

(approx mph / km/h¹⁾)

Engine²⁾	Z 14 XEP	Z 18 XE	Z 13 DT
Maximum speed			
Sport transmission	112/180	127/204	103/167
Easytronic	110/178	–	–

¹⁾ The maximum speed is achievable with a maximum of half payload. Optional equipment may reduce the specified maximum speed of the vehicle.

²⁾ Sales designation – see page 164.

**Fuel consumption,
CO₂ emissions**

Directive 80/1268/EEC (last changed by 1999/100/EC) has applied for the measurement of fuel consumption since 1996.

The directive is oriented to actual driving practices: Urban driving is rated at approx. $\frac{1}{3}$ and off-road driving with approx. $\frac{2}{3}$ (urban and extra-urban consumption). Cold starts and acceleration phases are also taken into consideration.

The specification of CO₂ emission is also a constituent of the directive.

The figures given must not be taken as a guarantee for the actual fuel consumption of a particular vehicle.

All values are based on the EU base model with standard equipment.

The calculation of fuel consumption as specified by directive 1999/100/EC takes account of the vehicle's kerb weight, ascertained in accordance with the said regulation. Optional extras may result in slightly higher fuel consumption and CO₂ emission levels than those quoted.

To convert l/100 km into mpg, divide 282 by number of litres/100 km.

Saving fuel, protecting the environment – see page 110.

Fuel consumption, CO₂ emissions

Engine ¹⁾	Z 14 XEP	Z 18 XE	Z 13 DT
Sport transmission/Easytronic			
Fuel consumption (approx. l/100 km)			
Urban	8.1/ 8.0	10.9/-	5,8/-
Extra-urban	5.0/ 4.9	5.8/-	3,9/-
Combined	6.1/ 6.0	7.7/-	4,6/-
CO ₂ emission (approx. g/km)			
Urban	194/192	262/-	157/-
Extra-urban	120/118	139/-	105/-
Combined	146/144	185/-	124/-

¹⁾ Sales designation – see page 164.

Weights, payload and roof load

The payload is the difference between the permitted gross vehicle weight (see identification plate, page 162) and the EC kerb weight.

Optional equipment and accessories increase the kerb weight, which means that the payload will also change slightly.

Note weight ranges in the vehicle documents and on the rating plate.

The combined total of front and rear axle loads must not exceed the permissible gross vehicle weight. For example, if the front axle is bearing its maximum permissible load, the rear axle can only bear a load that is equal to the gross vehicle weight minus the front axle load.

Roof loads are not permitted.

Driving hints – see page 108.

Kerb weight in kg¹⁾

Model	Engine²⁾	Sport transmission	Easytronic
Tigra	Z 14 XEP	1235	1235
	Z 18 XE	1265	–
	Z 13 DT	1278	–
Tigra with air conditioning	Z 14 XEP	1260	1260
	Z 18 XE	1290	–
	Z 13 DT	1303	–
Tigra Sport	Z 14 XEP	1305	1305
	Z 18 XE	1335	–
	Z 13 DT	1348	–
Tigra Sport with air conditioning	Z 14 XEP	1330	1305
	Z 18 XE	1360	–
	Z 13 DT	1373	–
Tigra Exclusiv with air conditioning	Z 14 XEP	1305	1305
	Z 18 XE	1335	–
	Z 13 DT	1348	–

¹⁾ According to EC Directive 70/156/EC, including assumed weights for driver (68 kg), luggage (7 kg) and all fluids (tank 90 % full).
²⁾ Sales designation – see page 16 4.

Tyres

Restrictions

Not all tyres available on the market currently meet the structural requirements. We recommend that you consult a Vauxhall Authorised Repairer concerning suitable tyre makes.

These tyres have undergone special tests to establish their reliability, safety and specific suitability for Vauxhall vehicles. Despite continuous market monitoring, we are unable to assess these attributes for other tyres, even if they have been granted approval by the relevant authorities or in some other form.

Further information – see page 126.

Winter tyres 3

Tyres of size 185/60 R 15, 205/50 R 16 and 205/45 R 17 must not be used as winter tyres.

If you use winter tyres 3, the spare wheel may still be fitted with a summer tyre. If you use the spare wheel the vehicle's handling may be altered. Obtain a replacement for the faulty tyre as soon as possible, and have the wheel balanced and fitted to the vehicle.

Further information – see page 126.

Tyre chains 3

Tyre chains are only permitted on the front wheels. Tyre chains must not be used on the temporary spare wheel 3.

We recommend the use of fine-link snow chains which amount to max 10 mm on the tread and tyre inner wall with chain lock

Tyre chains are not permitted on tyres of size 185/60 R 15, 205/50 R 16 or 205/45 R 17.

Further information – see page 126.

Wheels

Wheel bolt tightening torque: 110 Nm.

Spare wheel 3

Depending on design, the spare wheel is designed as a temporary spare wheel 3. When using the spare wheel, the driving behaviour may be modified. Replace the faulty tyre as soon as possible, balance the wheel and refit to vehicle. Follow the notes on this page and on pages 131, 139.

On vehicles with alloy wheels 3 the spare wheel may have a steel rim.

The spare wheel may be fitted with a smaller tyre¹⁾ and smaller wheel than the wheels fitted to the vehicle.

Tyre pressure in bar / psi²⁾

The specified tyre pressures are valid for cold tyres. Increased tyre pressure resulting from extensive driving should not be relieved. The pressures specified on the next page apply to both summer and winter tyres.

Further information – see pages 126 to 131.

¹⁾ Country-specific version: In some countries, the spare wheel may only be used as a temporary spare wheel.

²⁾ 1 bar corresponds to 100 kPa / 14.5 psi

(ctd.)
 Tyre pressure in bar / psi¹⁾

Tigra		Tyre pressure for load with one person and light luggage		Tyre pressure for full load	
Engine ¹⁾	Tyres	Front	Rear	Front	Rear
Z 14 XEP, Z 18 XE, Z 13 DT	185/55 R 15	2.5/36	2.5/36	2.5/36	2.5/36
	185/60 R 15, 205/50 R 16, 205/45 R 17	2.3/33	2.1/30	2.3/33	2.1/30
Spare wheel 3	185/55 R 15	2.5/36			

¹⁾ 1 bar corresponds to 100 kPa / 14.5 psi

¹⁾ Sales designation – see page 164.

Electrical system

Battery	Voltage	12 Volt
	Amp hours	55 Ah/66 Ah 3
Battery for radio remote control		CR 20 32

Capacities

(approx. litre)

Engine¹⁾	Z 14 XEP	Z 18 XE	Z 13 DT
Fuel tank (nominal content)	45.0	45.0	45.0
Engine oil with filter change	3.5	4.25	3.2
Engine oil between MIN and MAX on dipstick	1.0	1.0	1.0
Windscreen wash reservoir	2.2	2.2	2.2

¹⁾ Sales designation – see page 164.

Dimensions

(mm)

	Tigra
Overall length	3921
Overall width	1684
Width with two exterior mirrors	1905
Overall height	1376
Wheelbase	2491
Turning circle diameter ¹⁾	11.00

¹⁾ In metres.

Service, Maintenance

Inspection system	177
Genuine Vauxhall Parts and Accessories	178
A note on safety	178
Checking and topping up fluids	179
Engine oil	179
Diesel fuel filter	181
Coolant	181
Brake fluid	183
Windscreen wiper	184
Windscreen wash system	185
Battery	186
Protecting electronic components	186
Vehicle decommissioning	187
Vehicle recommissioning	187

In our experience the most common cause of all complaints is the result of misunderstanding or lack of communication between the customer and the Vauxhall Authorised Repairer.

We sincerely hope you will never have cause to complain about your vehicle. However, if things do go wrong, the best course of action for you to take is to contact your Vauxhall Authorised Repairer's Service Reception Staff and explain the difficulty you are having. We are confident they will do their utmost to resolve the problem to your complete satisfaction.

Sometimes, however, despite the best of intentions of all concerned, misunderstandings can occur. If your problem has not been resolved to your satisfaction, please make an appointment to discuss the matter with the Manager of the department concerned.

The majority of areas of concern can be quickly resolved in this way.

Should you wish to pursue the matter further, the Principal of the Vauxhall Authorised Repairer should be made aware of your concern. It is advisable in cases such as this to write to him to confirm your problem and the solutions that have been offered.

You can be assured the Authorised Repairer's Principal will only be too anxious to fully investigate your problems and correct any errors made. After all, he has a

large investment in his business and is proud of his reputation and professionalism and fully realises that satisfied customers are his key to success.

In the unlikely event that you are still not happy with the answer your Vauxhall Authorised Repairer has given, or the action he proposes to correct the problem, you may contact the Customer Care Department¹⁾ where a team of Customer Care Consultants will spare no effort to ensure your complete satisfaction.

Vauxhall Motors Ltd.

Customer Care,
Griffin House,
Osborne Road,
LUTON,
Beds., LU1 3YT
Telephone: 0845 090 2044

They will review all the facts involved. Then if it is felt some further action can be taken, the Vauxhall Authorised Repairer will be advised accordingly. In any case, your contact will be acknowledged confirming Vauxhall Motors' position in the matter.

If you are not satisfied with the outcome, you can if you wish, seek advice from an independent third party such as:

Automobile Association (A.A.)

Fanum House,
BASINGSTOKE,
Hants., RG21 2EA

¹⁾ Calls may be monitored and recorded for training purposes.

Royal Automobile Club (R.A.C.),
R.A.C. Motoring Services Ltd.,
89-91 Pall Mall,
LONDON, SW1Y 5AS

The Customer Relations Department,
**Society of Motor Manufacturers and
Traders Ltd.** (S.M.M.T.),
Forbes House, Halkin Street,
LONDON, SW1X 7DS

Customer Complaints Service,
Scottish Motor Trade Association,
(S.M.T.A.),
3 Palmerston Place,
EDINBURGH, EH12 5AQ

The National Conciliation Service,
Retail Motor Industry Federation,
9 North Street,
RUGBY, CV21 2AB

If you have a problem whilst abroad:
The Service Departments of ADAM OPEL
GmbH and General Motors branches
everywhere will provide information and
assistance:

In **Luxembourg** please contact
the General Motors Service Department in
Antwerp – Belgium
Telephone 00 32-34 50 63 29

General Motors Austria GmbH
Groß-Enzersdorfer Str. 59
1220 Vienna – Austria
Tel. 00 43 1-288 77 444 or
00 43-1-2 88 77 0

General Motors Belgium N.V.
Noorderlaan 401 – Haven 500
2030 Antwerp – Belgium
Telephone 00 32-34 50 63 29

General Motors Southeast Europe,
org. složka
Olbrachtova 9
140 00 Prague – Czech Republic
Tel. 00 420-2 39 004 321

General Motors Denmark
Jaegersborg Alle 4
2920 Charlottenlund – Denmark
Telephone 00 45-39 97 85 00

Vauxhall Motors Ltd.
Customer Care
Griffin House, Osborne Road
Luton, Bedfordshire, LU1 3YT – England
Tel. 00 44-15 82-42 72 00

General Motors Finland Oy
Pajuniityntie 5
00320 Helsinki – Finland
Tel. 00 358-9 817 101 47

General Motors France
1 – 9, avenue du Marais
Angle Quai de Bezons
95101 Argenteuil Cedex – France
Tel. 00 33-1-34 26 3051

ADAM OPEL GmbH
Bahnhofplatz 1
65423 Rüsselsheim – Germany
Tel. 00 49-61 42-77 50 00 or
00 49-61 42-7 70

General Motors Hellas S.A.
56 Kifisia s Avenue & Delfon str.
Amarousion
151 25 Athens – Greece
Tel 00 30-1-6 80 65 01

General Motors Southeast Europe Ltd.
Szabadsag utca 117
2040 Budaörs – Hungary
Tel. 00 36-23 446 100

General Motors India
Sixth Floor, Tower A
Global Business Park
Mehrauli – Gurgaon Road
Gurgaon – 122 022, Haryana – India
Tel. 00 91-124 280 3333

General Motors Ireland Ltd.
Opel House, Unit 60, Heather Road
Sandyford, Dublin 18 – Ireland
Tel. 00 353-1-216 10 00

General Motors Italia Srl
Piazzale dell'Industria 40
00144 Rome – Italy
Tel. 00 39-06-5 46 51

General Motors Nederland B.V.
Lage Mosten 49 – 63
4822 NK Breda – Netherlands
Tel. 00 31-76-5 44 83 00

General Motors Norge AS
Kjeller-Vest 6
2027 Kjeller – Norway
Tel. 00 47-23 50 01 04

General Motors Poland Sp. z o. o.
Domaniewska 41
06-672 Warsaw – Poland
Tel. 00 48- 22-606 17 00

General Motors Portugal
 Quinta da Fonte
 Edifício Femão Magalhães, Piso 2
2780-190 Paço d'Arcos – Portugal
 Tel. 00 351- 21 440 75 00

General Motors Southeast Europe,
 org. zložka
 Apollo Business Centre
 Mlynské Nivy 45
821 09 Bratislava – Slovakia
 Tel. 00 421-2 58 275 543

General Motors España S.L.
 Paseo de la Castellana, 91
28046 Madrid – Spain
 Tel. 00 34-902 25 00 25

General Motors Norden AB
 Årstaångvägen 17
100 73 Stockholm – Sweden
 Tel. 00 46-20 333 000

General Motors Suisse S.A.
 Stelzenstraße 4
8152 Glattbrugg – Switzerland
 Tel. 00 41-44 828 28 80

General Motors Türkiye Ltd. Sti.
 Kemalpaşa yolu üzeri
35861 Torbalı/Izmir – Turkey
 Tel. 00 90-2 32-8 53-14 53

In **Albania, Bosnia-Herzegovina, Bulgaria, Croatia, Estonia, Latvia, Lithuania, Macedonia, Romania, Serbia-Montenegro and Slovenia** please contact the General Motors Service Department in **Budaörs – Hungary**
 Tel. 00 36-23 446 100



Inspection system

In order to guarantee economical and safe vehicle operation and to maintain the value of your vehicle, it is of vital importance that all maintenance work is carried out at the proper intervals as specified.

For vehicles with fixed oil change and service intervals, **InSP** appears in the odometer display when the ignition is turned on before the service work becomes due: arrange for the next service to be performed by a workshop within one week or 300 miles (500 km).

The service interval display takes account of off-the-road periods during which the battery is disconnected.

For vehicles with flexible engine oil change and service intervals, the length of these intervals is based on several parameters stemming from usage. For this reason, various engine-specific data is continually gathered and is used to calculate the remaining distance until the next service.

The distance remaining can be displayed with the ignition turned off: press the reset button for the trip odometer for approx. 2 seconds, **InSP** and the remaining distance appear.

If the remaining distance is less than 1000 miles (1500 km), **InSP** is displayed with a remaining distance of 600 miles (1000 km) when the ignition is switched on and off. **InSP** is displayed for several seconds if the remaining distance is less than 300 miles (500 km). Have the service work that is due carried out within one week or 300 miles (500 km). Have this work carried out by a Vauxhall Authorised Repairer in order to avoid loss of warranty claims.

Further information on maintenance and the inspection system can be found in the service booklet, which is in the glove compartment.

Have service work and repairs to the bodywork and components performed properly by a workshop. We recommend your Vauxhall Authorised Repairer, who has excellent knowledge of Vauxhall vehicles and is in possession of the necessary tools and current service instructions from Vauxhall. To exclude the possibility of loss of warranty, use of a Vauxhall Authorised Repairer is recommended in particular during the warranty period. For further information see the Service Booklet.

Separate anti-corrosion service

Have the work performed by a workshop at the intervals specified in the Service Booklet.

Genuine Vauxhall Parts and Accessories

We recommend that you use "Genuine Vauxhall Parts and Accessories" and conversion parts released expressly for your vehicle type. These parts have undergone special tests to establish their reliability, safety and specific suitability for Vauxhall vehicles. Despite continuous market monitoring, we cannot assess or guarantee these attributes for other products, even if they have been granted approval by the relevant authorities or in some other form.

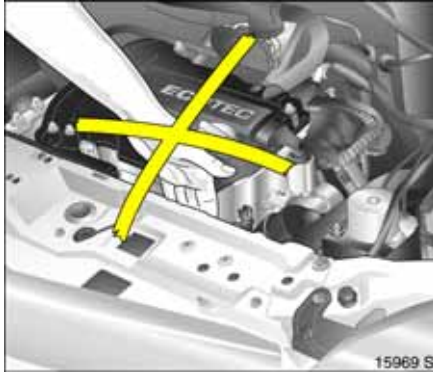
"Genuine Vauxhall Parts and Accessories" and conversion parts approved by Vauxhall can be obtained from your Vauxhall Authorised Repairer, who can provide expert advice on permitted technical changes and ensure correct installation.



A note on safety

To avoid injury from moving parts and cables conducting ignition voltage, only carry out engine compartment checks (e.g. checking brake fluid or engine oil level) when the ignition is switched off.

9 Warning
<p>The cooling fan is controlled by a thermostat and can therefore start unexpectedly even if the ignition is switched off. Risk of injury.</p> <p>Electronic ignition systems generate very high voltages. Do not touch the ignition system; high voltage can be fatal.</p>



Never carry out any repairs or adjustment and maintenance work on the vehicle yourself. This especially applies to the engine, chassis and safety parts. You may unwittingly infringe the provisions of the law and, by not performing the work properly, endanger yourself and other road users.

Checking and topping up fluids

To aid identification, the caps used when topping up engine oil, coolant and wash fluid as well as the oil dipstick are coloured yellow.

Engine oil

Information on engine oils is found in the Service Booklet.

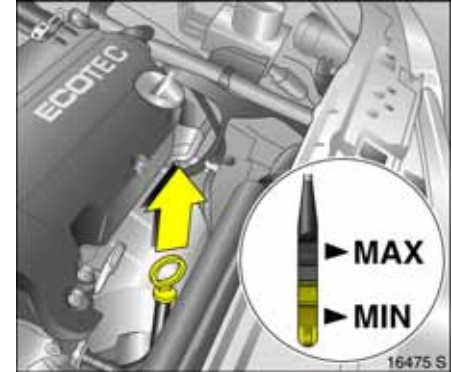
Engine oil level and consumption

Every engine consumes engine oil for technical reasons. The engine oil consumption cannot be assessed until a fairly long distance has been driven, and may be above the specified value when the vehicle is first being driven (run-in period). Frequent driving at high revs increases engine oil consumption.

In vehicles with engine oil level check 3, the engine oil level is checked automatically - see page 72. It is particularly advisable to check the engine oil level before embarking on a long journey.

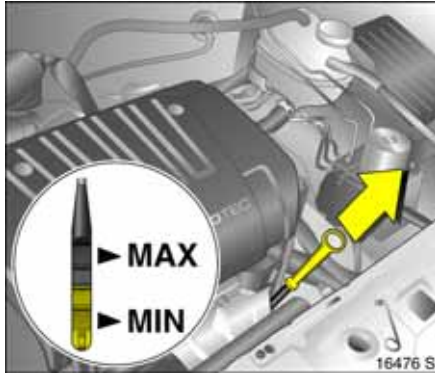
⚠ Warning

It is the Owner's Responsibility to maintain the proper level of an appropriate quality oil in the engine.



Engine oil level check, topping up engine oil

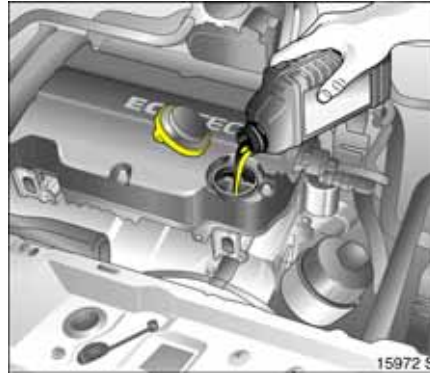
The oil level must be checked with the vehicle on a level surface and with the engine (which must be at operating temperature) switched off. Wait at least 5 minutes before checking the level to allow the normal engine oil accumulation in the engine to drain into the oil pan.



To check the engine oil level, insert wiped oil dipstick into handle as far as it will go. Top engine oil up if the level has dropped into the range of the top-up mark **MIN**.

The engine oil level must not exceed the upper mark **MAX** on the dipstick. Excess engine oil must be drained off or extracted. If the engine oil level is above the **MAX** mark there is a risk of damage to the engine or the catalytic converter.

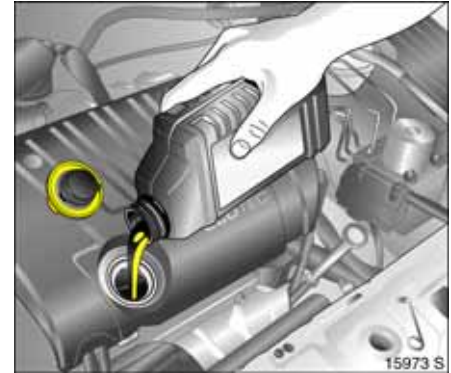
The amount filled must be between the **MIN** and **MAX** marks – see page 173.



Top up with the same brand of engine oil that was used during the previous oil change, following the instructions in the service booklet.

To close, position the cap and screw it into place.

Capacities – see page 173.



Engine oil change, oil filter change

Have oil changed by a workshop as a function of service interval display.

We recommend that you use genuine engine oil filters.

⚠ Warning

Waste engine oil cannot be disposed of with domestic refuse. Observe the legal requirements for disposal of old oil and filters to protect the environment and your health.

Diesel fuel filter

On each engine oil change, have the fuel filter checked for any water residue by a workshop.

Illumination of A indicates water in the fuel filter 3.

Have fuel filter checked at shorter intervals if the vehicle is subjected to extreme operating conditions such as high humidity (primarily in coastal areas), extremely high or low outside temperatures and substantially varying daytime and night-time temperatures.

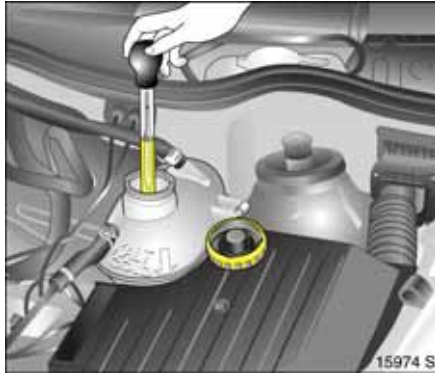
Coolant

The glycol-based coolant provides excellent corrosion protection for the heating and cooling systems as well as antifreeze protection down to approx. -28 °C. It remains in the cooling system throughout the year and need not be changed.

Use of certain antifreezes can lead to engine damage. We therefore recommend that you use only approved antifreezes.

⚠ Warning

Antifreeze is a danger to health; it must therefore be kept in the original container and out of the reach of children.



Antifreeze and corrosion protection

Before the start of winter, have a workshop check the antifreeze protection. The antifreeze level must guarantee protection to approx. -28 °C. Insufficient antifreeze will reduce the frost protection level and the corrosion protection. If necessary add antifreeze.

If coolant loss is topped up with water, have concentration checked and add antifreeze if necessary.



Coolant level

Hardly any losses occur since the cooling system is sealed and it is thus rarely necessary to top up the coolant.

The coolant should be a little above the **KALT/COLD** mark in the expansion tank with a cold cooling system. The coolant level can also be read off from the outside of the expansion tank.

⚠ Warning

Allow engine to cool down before removing coolant filler cap. Remove filler cap carefully so that pressure can escape slowly, otherwise there is a risk of scalding.

When the engine is at operating temperature, coolant level rises. It falls again when the system cools. If it falls below the **KALT/COLD** mark when the system is cold, top up to the mark.

Top up an antifreeze. If no antifreeze is available, top up with clean tap water. If tap water is unavailable, distilled water can be used.

After filling with tap water or distilled water, measure the antifreeze concentration and add antifreeze if required. Have a workshop establish the cause of the coolant loss.

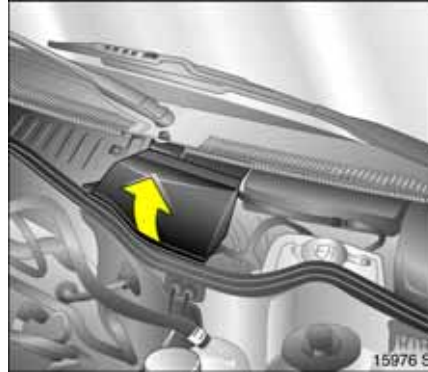
Too low a coolant level can cause engine damage.

To close, position the cap and screw it into place.

Coolant temperature

If the temperature gauge enters the red zone, check the coolant level immediately.

- z Coolant level too low:
add coolant, see notes under "Antifreeze and corrosion protection", and "Coolant level". Have a workshop eliminate the cause of the coolant loss.
- z Coolant OK:
Have the cause of the raised coolant temperature eliminated. Contact a workshop.

**Brake fluid****Brake fluid level****9 Warning**

Brake fluid is poisonous and corrosive. Do not allow it to come into contact with eyes, skin, fabric or painted surfaces. Direct contact could cause injury and damage.

Open the cover of the brake fluid reservoir upwards, removing the sealing rubber on the front edge.



The fluid level in the reservoir must be neither higher than the **MAX** mark nor lower than the **MIN** mark.

Use of certain brake fluids can lead to damage or reduced braking effect. We therefore recommend that you use only high performance approved brake fluid.

Absolute cleanliness is important when topping up, since contamination in the brake fluid can cause brake system malfunctions.

After correcting the brake fluid level, have a workshop eliminate the cause of the brake fluid loss.

Brake fluid change

Brake fluid is hygroscopic, i.e. it absorbs water. If the brakes become hot, such as when driving on long downhill stretches, vapour bubbles can occur in the water, which can have an extremely adverse effect on braking power (depending on the proportion of water).

The fluid change intervals specified in the Service Booklet must therefore be observed.

Warning

Have the brake fluid changed by a workshop. Observe the legal requirements for disposal of brake fluid to protect of the environment and your health.

Windscreen wiper

Clear vision is essential for safe driving.

Therefore check windscreen wiper and headlight wash/wiper system 3 regularly for cleaning effect. We recommend replacing the wiper blades after a year at most.

If the windows are dirty, operate the windscreen wash before switching the wiper on in order to prevent wiper blade wear.

Do not switch windscreen wiper on if windows are icy, since this may damage the wiper edges or the wiper system.

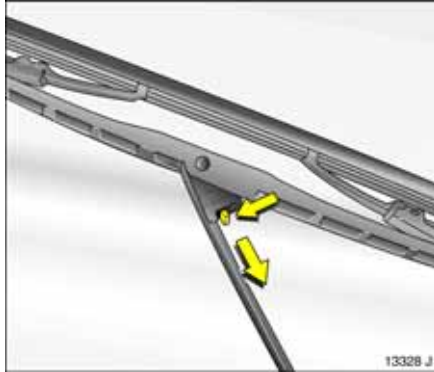
If the wiper becomes frozen on to the glass, we recommend that they be released with the aid of Vauxhall De-icer Spray.

Smearing wiper blades can be cleaned with a soft cloth and Vauxhall Windscreen Wash Solvent.

Wiper blades whose lips have become hardened, cracked or covered with silicone must be replaced. This may be necessary as a result of the effects of ice, thawing salt or heat, or the incorrect use of cleaning agents.

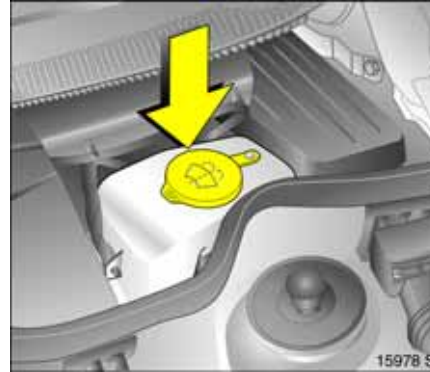
Switch off the windscreen wiper, see - page 11, 87.

Care of windscreen wiper – see page 160.



Wiper blades

Lift wiper arm. Move release lever and detach wiper blade.



Windscreen wash system

The wash bottle for the windscreen wash system is in engine compartment on driver's side.

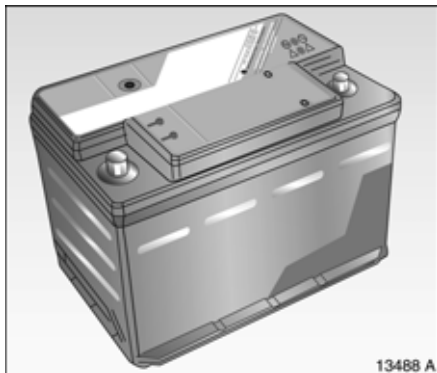
Capacities – see page 173.

Fill only with clean water to prevent the nozzles from clogging. To improve cleaning efficiency, we recommend that you add a little Vauxhall Windscreen Wash Solvent.

The wind screen wash system remains frost-free in winter:

Frost protection down to	Mixture Vauxhall Windscreen Wash Solvent: Water
- 5 °C	1 : 3
- 10 °C	1 : 2
- 20 °C	1 : 1
- 30 °C	2 : 1

When closing the reservoir, press the lid firmly over the beaded edge all the way round.



Battery

The battery is maintenance-free.

⚠ Warning

Have the battery changed by a workshop. Observe the legal requirements for disposal of old batteries to protect of the environment and your health.

Retro-fitting of electrical or electronic accessories can discharge or add extra load to the battery. Take advice on the technical possibilities, e.g. use of a more powerful battery.

Parking the vehicle for more than 4 weeks can lead to battery discharging. This may reduce the service life of the battery. Disconnect battery from on-board power supply by disconnecting the negative terminal.

The Vauxhall alarm system 3 siren must be deactivated as follows: switch the ignition on then off, disconnect the vehicle's battery within 15 seconds.

Ensure that ignition is switched off before connecting battery. Then perform the following actions:

- z Set date and time in the information display – see pages 78, 81.
- z If necessary, activate window electronics – see page 36.
- z Steering angle sensor (ESP® Plus) 3 calibrate – see page 119.

In order to prevent the battery from discharging, some consumers such as the courtesy light automatically switch off after approx. 30 minutes.

Protecting electronic components

In order to prevent faults in electronic components in the electrical system, never connect or disconnect battery with engine running or ignition switched on. Never start engine with battery disconnected, e.g. when starting using jump leads.

To avoid damaging the vehicle, do not make any modifications to the electrical system, e.g. connecting additional consumers or tampering with electronic control units (chip tuning).

⚠ Warning

Electronic ignition systems generate very high voltages. Do not touch the ignition system; high voltage can be fatal.

Disconnecting/connecting the battery from/to the electrical system

Disconnect the battery from the vehicle electrical system before charging: First detach the negative and then the positive lead. Do not reverse the polarity of the battery, i.e. do not confuse the terminals for the positive and negative leads. When connecting, start with the positive lead and then connect the negative lead.

Vehicle decommissioning

Observe national regulations.

If the vehicle is to be parked for several months, to avoid damage have the following work performed by a workshop.

- z Wash and preserve the vehicle – see page 158.
- z Check corrosion protection in engine compartment and on underbody and repair if necessary.
- z Clean and wax sealing rubber on the bonnet, doors and roof.
- z Change engine oil – see page 180.
- z Check antifreeze and corrosion protection – see page 182.
- z Check the coolant level, top up with antifreeze if necessary – see page 182.
- z Drain the windscreen wash system.
- z Check tyre pressure, correct if necessary – see pages 128, 170.

Vehicle storage

- z Park vehicle in dry and well ventilated place. With manual transmission select first gear or reverse gear, and with Easytronic 3 move selector lever to middle position before switching ignition off. Use wedges or the like to prevent vehicle from rolling.
- z Do not apply hand brake.
- z Disconnect battery by disengaging negative terminal from vehicle electrical system – see page 186.

Vehicle recommissioning

Observe national regulations.

Perform the following work before recommissioning the vehicle:

- z Connect battery – see page 186.
- z Check tyre pressure, correct if necessary – see pages 128, 170.
- z Fill up windscreen wash system – see page 185.
- z Check engine oil level – see page 179.
- z Check the coolant level; top up with antifreeze if necessary – see page 182.
- z Fit the number plate if necessary.

Index

A

ABS (Anti-lock Brake System)	125
Accessories	55, 64, 137
Accessory socket	65
Air conditioning system	98
Air intake	101
Air recirculation system	99
Air vents	94
Airbags	56
Alarm	33
Alarm system	31
Alternator	71
Antenna	92, 158
Anti-corrosion service	159, 178
Antifreeze	181, 182
Antifreeze protection	182, 185
Anti-knock quality of fuel	112
Octane number	164
Anti-theft locking system	25
Anti-theft protection	14
Aqua planing	130
Ashtray	66
AUX input	93

B

Battery	109, 172, 186
Interruption of power supply	27, 36, 107
Battery discharge protection	91
Before starting off	13
Belt tensioners	52
Bleeding, diesel fuel system	132
Bonnet	132
Boot, see Luggage compartment	27, 49

Brake assist	123
Brake system	123
Brakes	
ABS	125
Brake assist	123
Brake fluid	163
Brake servo unit	108
Foot brake	123, 124
Hand brake	124
Bulb replacement	152
Bulbs	152

C

Capacities	173
Car Pass	20
Care	158
Catalytic converter	114, 117, 133
Central locking system	22, 24
Changing the	
remote control battery	23, 172
Changing tyre/wheel type	127
Changing wheels	140
Chassis number, see Vehicle identification	
number	163
Child restraint system	55
Child safety seats	55
Cigarette lighter	65
Climate control	94
Clutch operation	109
CO ₂ emissions	166
Coin holder	67
Cold start	109
Contrast	82

- Control indicators 8, 68
 ABS (Anti-lock Brake System) 126
 Airbag 60
 Belt tensioners 52
 Engine electronics 116
 EPS (Electric Power Steering) 72
 ESP (Electronic Stability Program) 118
 Exhaust 116
 Immobilizer 21
 Coolant 181
 Coolant level 182
 Coolant temperature display 74
 Coolant thermometer 74
 Correcting time 81
 Courtesy light 91
 Courtesy lights
 Bulb replacement 157
 Cruise control 120
- D**
- Dashboard, see Instrument panel 6
 Data 20, 162
 Date 78
 Daytime running lights 88
 Decommissioning 187
 Demisting and defrosting
 Windows 98
 With the air conditioning system 100
 Diesel fuel filter 181
 Diesel fuel system 132, 181
 Dimensions 174
 Dipped beam 10
 Bulb replacement 152
 Display 76
- Display mode 83
 Door locks 20, 160
 Door-to-door light function 90
 Driving abroad 112, 176
 Headlights 91
 Driving hints 108
- E**
- Easytronic 13, 102
 Driving programmes 104
 Fault 107
 Interruption of power supply 107
 Kickdown 105, 106
 Selector lever 13, 103
 Winter programme 105
 Economical driving 110
 Electric power steering 72, 108
 Towing 136
 Electric windows 35
 Electrical system 146, 172, 186
 Electronic components 186
 Electronic immobilizer 21
 Electronic Stability Program 118
 Engine code 164
 Engine control indicator 116
 Engine oil 179
 Engine oil change 180
 Engine oil consumption 164, 179
 Engine oil filter 180
 Engine oil level 72, 179
 Engine oil pressure 70
 Engine speed 109
 Engine wash 161
 Environmental protection 158, 181
- EPS (Electric Power Steering) 72
 ESP (Electronic Stability Program) 118
 Exhaust control indicator 116
 Exhaust gases 117
 Exhaust system 117
 Exterior mirrors 34, 95
- F**
- Fan 46, 94, 96, 178
 Fault 36
 Electric windows 36
 Filling station
 Capacities 173
 Engine oil level 179
 Fuel 112, 164
 Opening the bonnet 132
 Tyre pressure 111, 170
 Vehicle data 162, 163
 Windscreen wash system 185
 First-aid kit (cushion) 137
 Flat tyre 140, 144
 Fog lights 89
 Bulb replacement 154
 Fog tail lights 89
 Bulb replacement 155
 Foot brake 123, 124
 Front passenger airbag 56
 Fuel 112, 164
 Fuel consumption 110, 112, 165
 Fuel filter 181
 Fuel gauge 75
 Fuel level 75
 Fuel system, diesel 132
 Fuses 146

G

Gears	12
Generator, see Alternator	71
Genuine Vauxhall Parts and Accessories	176, 178
Glove compartment	67
Graphical Information Display	76
Gross vehicle weight	168
Gross vehicle weight rating	168

H

Halogen headlight system	152
Driving abroad	91
Hand brake	14, 124
Hazard warning lights	10, 90
Head restraints	48
Headlight flash	10, 89
Headlight range adjustment	90, 152
Headlight switch	9, 88
Headlights	9
Changing bulbs	152
Daytime running lights	88
Driving abroad	91
Fog lights	89
Reversing lights	89
Warning device	86
Heated exterior mirrors	12, 95
Heated rear window	12, 95
Heated seats	95
Heating	94, 97
Seats	95
with the air conditioning system	94

Height adjustment

Steering wheel	9
High-pressure cleaners	159, 161
Horn	11

I

Identification plate	162, 163
Ignition system	178, 186
Immobilizer	21
Information display	76
Infotainment system	93
Instrument display	74
Instrument illumination	91
Bulb replacement	157
Instrument panel	6
Instruments	6, 68, 74
Interior mirror	5, 34
Interruption of power supply	85
Easytronic	107
Electronic Stability Program	119, 186

J

Jack	139, 141
Jump leads	134

K**Key**

Extending	20
Ignition lock	9, 13
Locking doors	22, 24
Remove	14
Starting	13
Starting the engine	9
Keys	2, 20

L

Language selection	81
Leather trim	160
Light switch	9
Lighting	9, 88
Driving abroad	91
Loading	168
Locking doors	2, 22, 24
Locking from the inside	24
Locks	160
Lubricants	163, 179
Luggage compartment	
Lighting	91
Loading	168
Opening	2, 27

M

Main beam	10, 89
Control indicator	71
Maintenance	
Air conditioning system	101
Antifreeze protection	182
Brake fluid	183
Brakes	123
Catalytic converter	117
Engine oil	179, 180
Fuel consumption	111
Tyre pressure	128, 170
Tyres	129
Windscreen wiper	184
Manual transmission, see Transmission	12
Mirrors	5, 34
Misted windows	98, 100

- Mobile telephone 93
Muffler, see Exhaust system 117
- N**
- Number plate lighting 156
Number plate lights
 Bulb replacement 156
Number plates 187
- O**
- Octane numbers 112, 164
Odometer 74
Oil change 180
Oil consumption 164, 179
Oil filter change 180
Oil level 179
Oil pressure 70
Operating temperature 109
Outside temperature gauge 77
Overrun 109
- P**
- Paintwork damage 159
Parking 14, 122
Parking distance sensor 122
Parking lights 9
Parking the vehicle 14
Parts 176, 178
Pedals 109
Performance 165
Petrol 112, 164
Pinking 112
Pollen filter 101
- Power assisted steering, see electronic
 power steering 72, 108
Preheating 70
Pushing, towing 133
- R**
- Radio 92
Radio equipment (CB) 93
Radio remote control 22
Rear light cluster 88
 Bulb replacement 155
Refuelling 113
 Fuel filler cap 113
Relays 146
Remote control
 Central locking system 22
 Steering wheel 92
Replacement keys 20
Retractable steel roof 18, 19, 37
Reversing lights 89
 Bulb replacement 155
Roof load 168
Running-in 108
 Brakes 123
- S**
- Safeguard against
 unauthorised use 9, 14, 21
Safety accessories 55, 137
Saving energy 110
Seat adjustment 46
Seat belts 50, 54, 160
Seat height adjustment 3, 47
Seat occupancy recognition 60
- Seats 3, 46
 Heated 95
Selector lever 103
Self-diagnosis 53, 60, 126
Self-help 132
 Central locking system 26
 Information display 78
 Radio remote control 23
Service Booklet 177
Side airbags 58
Signal system 11
Spare key 20
Spare keys 20
Spare wheel 138, 140
Speed 110, 111
 Fuel consumption 110
Speedometer 74
Starter switch 9, 21
Starting the engine 9, 21, 103, 133
 Self-help 133
Steam-jet cleaners 159, 161
Steering column lock 9, 14
Steering wheel adjustment 9
Steering wheel remote control 92
Stowage compartments 4, 47, 66, 67
Sun visors 67
Switch-off delay on exterior lights 90
System settings 80
- T**
- Tachometer 74
Tail lights 88
 Bulb replacement 155

- Tank
 Fuel gauge 75
 Technical data 162
 Telephone, see Mobile telephone 93
 Temperature regulation 96
 Temporary spare wheel 131, 139
 The first 600 miles / 1000 km 108
 Tightening torque 143, 170
 Time 78
 Tools 139
 Towing 136
 Towing eye 136
 Transmission, Easytronic 102
 Driving programmes 104
 fault 107
 Interruption of power supply 107
 Kickdown 105, 106
 Selector lever 13, 103
 Winter programme 105
 Transmission, manual 12
 Tread depth 129
 Trip computer 17, 83
 Triple information display 76
 Turn signal lights 10, 89
 Turn signals
 Bulb replacement 154
 Tyre chains 131, 170
 Tyre condition 129
 Tyre pressure 128, 170
 Tyre repair aerosol 144
- U**
 Units of measure 82
 Unleaded fuel 112, 114, 164
 Used oil 181
- V**
 Vauxhall alarm system 31
 Vauxhall Service 175
 Vehicle care 158
 Vehicle decommissioning 187
 Vehicle identification number 163
 Vehicle keys, see Keys 20
 Vehicle recommissioning 187
 Ventilation 94, 97
- W**
 Warning buzzers 86
 Warning triangle 137
 Wash fluid reservoir,
 windscreen wash system 185
 Weights 168
 Wheels 127
 Windows
 Demisting and defrosting 98, 100
 Windscreen wash system 11, 87, 185
 Antifreeze protection 185
 Capacities 173
 Wash fluid reservoir 185
 Windscreen wiper 11, 87, 184
 Winter mode
 Starting-off aid 105
- Winter operation
 Battery 109
 Coolant, antifreeze 182
 Fuel consumption 111
 Fuel for diesel engines 112
 Heating 94
 Locks 160
 Tyre chains 131, 170
 Window demisting & defrosting 98, 100
 Windscreen wash system,
 antifreeze protection 185
 Winter programme 105
 Winter tyres 131, 170



©Copyright by Vauxhall Motors Ltd., England.

Reproduction or translation, in whole or in parts, is not permitted without prior written consent from Vauxhall Motors Ltd.

All rights as understood under the copyright laws are explicitly reserved by Vauxhall Motors Ltd.

All information, illustrations and specifications contained in this manual are based on the latest production information available at the time of publication.

The right is reserved to make changes at any time without notice.

Edition: January 2007.

TS 1622-B-07

