

Handbook



5008



PEUGEOT

EXTERIOR

Panoramic sunroof

This roof provides incomparable visibility and light in the passenger compartment.

**Welcome lighting**

This additional exterior and interior lighting, controlled remotely, makes your approach to the vehicle easier when the light is poor.

**Directional lighting**

This lighting automatically provides additional visibility when cornering.



EXTERIOR

Parking space sensor

This system measures the size of the parking space available between two vehicles or obstacles.



When washing your vehicle in a car wash:

- remove the aerial,
- fold back the mirrors.



Temporary tyre repair kit

This kit is a complete system, consisting of a compressor and an integrated sealant product, for the temporary repair of a tyre.



Visual and audible front and/or rear parking sensors

This system warns you if an obstacle is detected behind or in front of the vehicle in reverse or forward gear.



OPEN

Remote control key



A. Unfolding/Folding of the key.



Normal locking
(press once; fixed lighting of the direction indicators).

or



Deadlocking of the vehicle
(press twice in succession; fixed lighting of the direction indicators).



Complete or selective unlocking of the vehicle
(rapid flashing of the direction indicators).



Welcome lighting

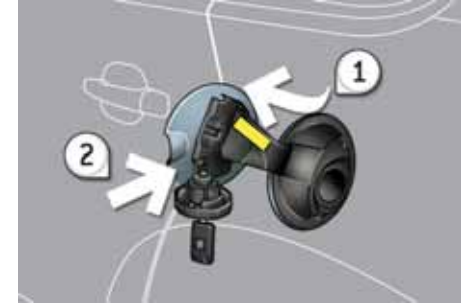


When the light is poor, detected by a sensor, the remote switching on of the dipped headlamps and sidelamps makes your approach to the vehicle easier.

This function can be programmed via the configuration menu.



Fuel tank



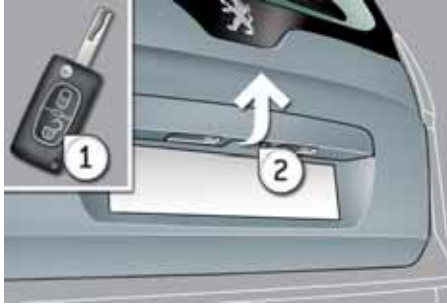
1. Opening the fuel filler flap.
2. Opening and hooking the fuel filler cap.

The type of fuel to be used is indicated on the inner face of the fuel filler flap.
Capacity of the tank: approximately 60 litres.



OPENING

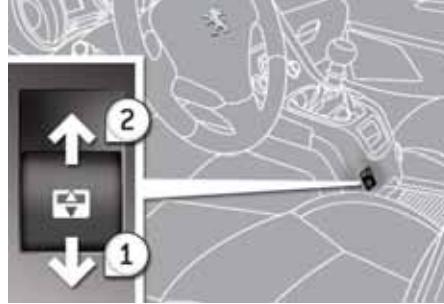
Boot



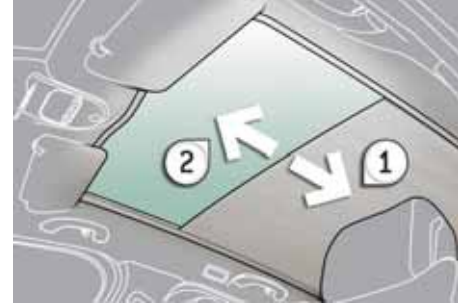
1. Unlocking the vehicle.
2. Opening the boot.



Panoramic sunroof



1. Opening the blind.
2. Closing the blind.



INTERIOR

Electric parking brake

This combines the functions of **auto-matic application** on switching off the engine and **automatic release** on acceleration.

Manual application/release is possible.



Head-up display

This system projects certain information into the field of vision of the driver: the speed, the cruise control/speed limiter and the Distance alert.




Audio and communication systems


This equipment benefits from the latest technology: MP3 compatible Peugeot Connect Sound, Peugeot Connect USB, Bluetooth, Peugeot Connect Navigation or Peugeot Connect Media with 16/9 retractable colour screen, JBL audio system, auxiliary sockets.


Dual-zone digital air conditioning


This system allows different levels of comfort to be set for the driver and front passenger. It then controls these levels automatically according to the climatic conditions.



Peugeot Connect Media  211

Peugeot Connect Navigation  251

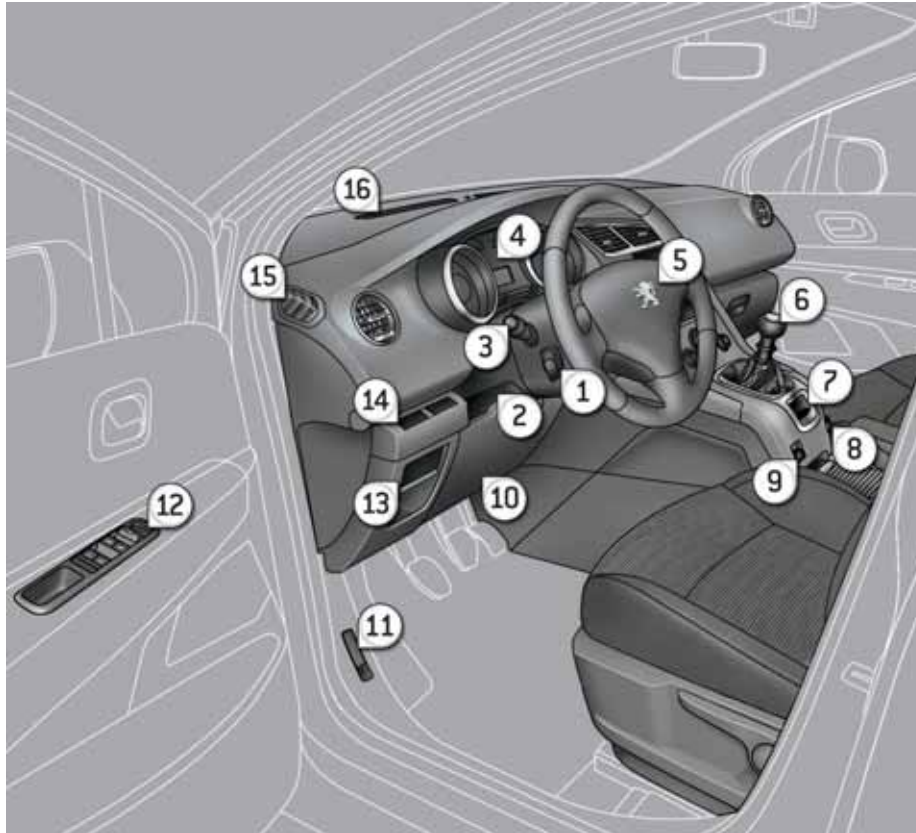
Peugeot Connect Sound.  281

Peugeot Connect USB  232, 288

Bluetooth  237, 269, 291

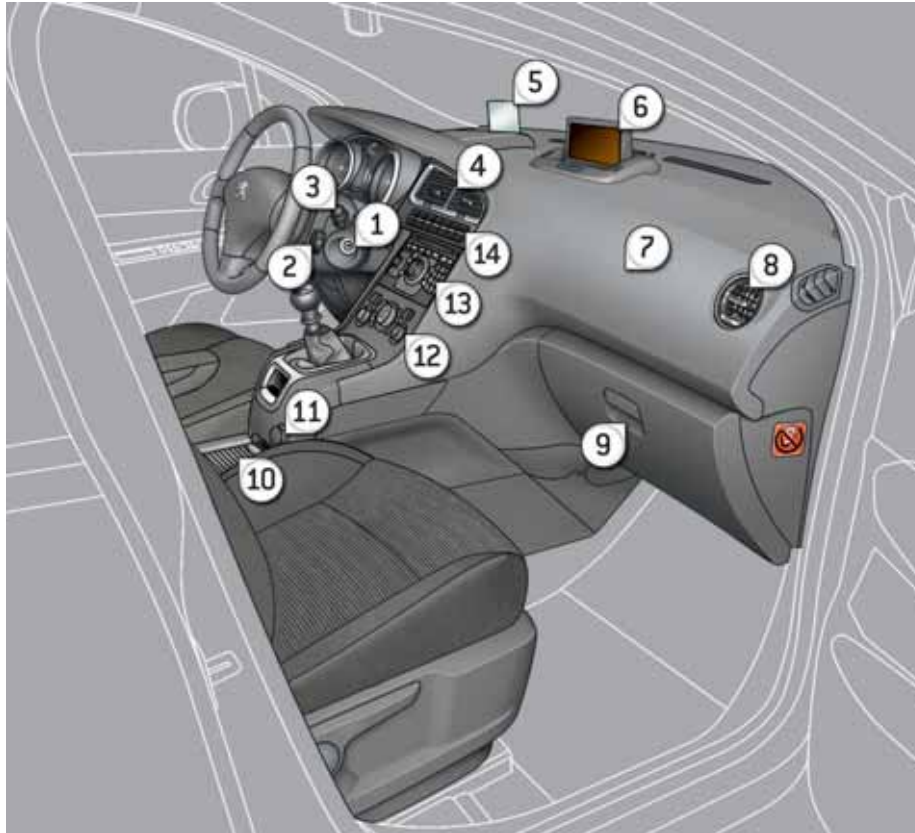
PEUGEOT Assistance  209

INSTRUMENTS AND CONTROLS



1. Cruise control/speed limiter switches.
2. Steering wheel adjustment.
3. Lighting and direction indicator stalk.
4. Instrument panel.
5. Driver's airbag.
Horn.
6. Gear lever.
7. Electric parking brake.
8. 12 V accessories socket.
9. Panoramic sunroof control.
10. Owner's Handbook storage compartment.
11. Bonnet release.
12. Door mirror controls.
Electric window controls.
Child lock.
13. Manual headlamp height adjustment.
Instrument panel navigator associated with the Peugeot Connect Media.
14. Alarm button.
Parking sensors button.
Dynamic stability control (ESP/ASR) button.
15. Front door window demist/defrost vent.
16. Windscreen demist/defrost vent.

INSTRUMENTS AND CONTROLS



1. Steering lock and ignition.
2. Audio and telematics system steering wheel control.
3. Wash-wipe/trip computer stalk.
4. Central adjustable vents.
5. Head-up display.
6. Multifunction screen.
7. Passenger's airbag.
8. Side adjustable air vent vent
9. Glove box - Audio/video sockets - Passenger airbag deactivation.
10. Centre console.
11. 12 V accessories socket.
12. Heating/air conditioning controls.
13. Audio and telematics system.
14. Selector buttons:
 - head-up display,
 - hazard warning lamps,
 - Distance alert,
 - central locking.

SITTING COMFORTABLY

Driver's seat

Forwards-backwards



Height



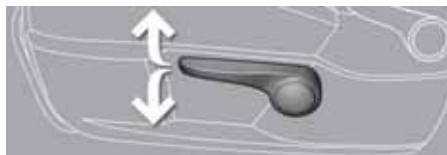
Seat back angle



Manual adjustment



62



Electric adjustment



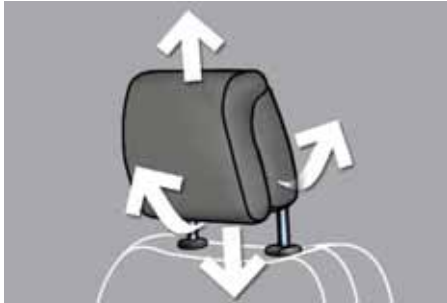
63



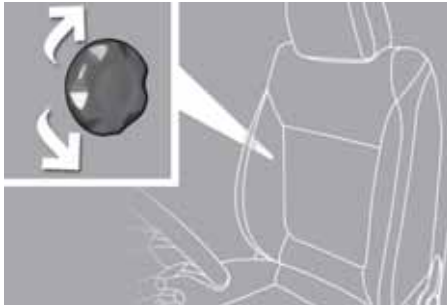
SITTING COMFORTABLY

Front seats

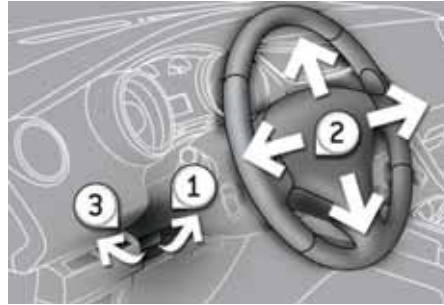
Head restraint height and angle



Lumbar



Steering wheel adjustment

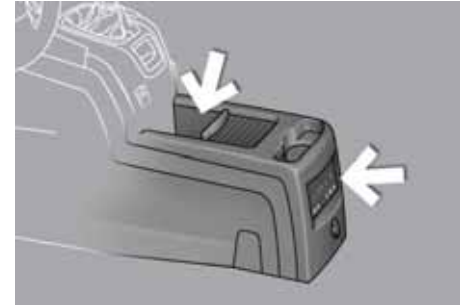


1. Unlocking the control.
2. Adjustment of height and reach.
3. Locking the control.

As a safety precaution, these operations must only be carried out when stationary.



Centre console

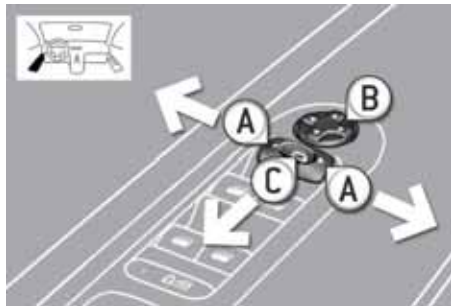


This has a large storage area (with recesses for 2 bottles, ...) for the front passengers and, according to version, a multimedia system for the rear passengers.



SITTING COMFORTABLY

Door mirrors



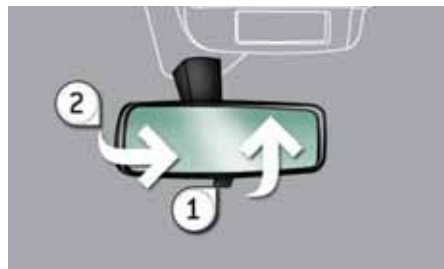
Adjustment

- A. Selection of the mirror to be adjusted.
- B. Adjustment of the position of the mirror in the four directions.



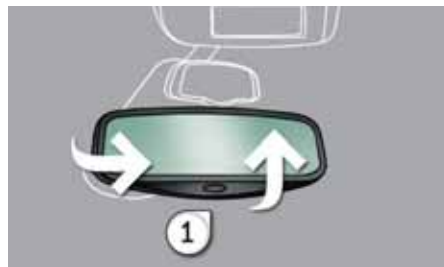
Also...
C. Folding/Unfolding.

Rear view mirror



Manual model

1. Selection of the "day" position of the mirror.
2. Adjustment of the mirror.



Automatic day/night model

1. Adjustment of the mirror.



Front seat belts



1. Fastening the buckle.

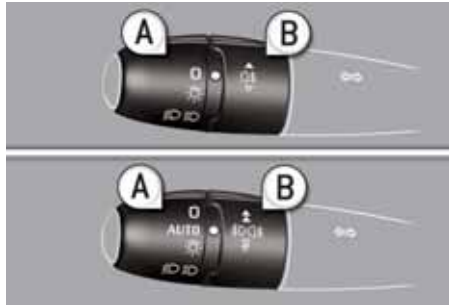


2. Height adjustment.



SEEING CLEARLY

Lighting



Ring A

- Lighting off.
- AUTO** Automatic illumination of headlamps.
- Sidelamps.
- Dipped/main beam headlamps.



Ring B

- Rear foglamp.
- or
- Front and rear foglamps.



Direction indicators



Raise or lower the lighting stalk passing the point of resistance; the corresponding direction indicators will flash for as long as the stalk remains in this position.

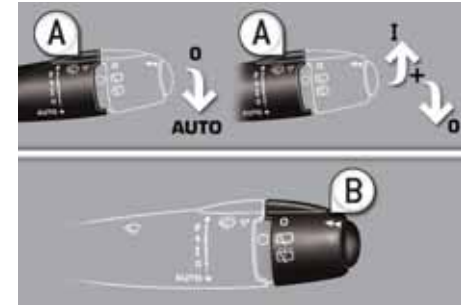
"Motorway" function

Press the lighting stalk up or down once, without passing the point of resistance; the corresponding direction indicators will flash three times.

This function can be used at any speed, but it is particularly useful when changing lane on high-speed roads.



Wipers



Stalk A: windscreen wipers

Switching on "AUTO"

- Press the stalk down and release it.

Switching off "AUTO"

- Push the stalk up and return it to position "0".





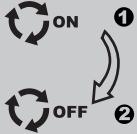

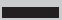


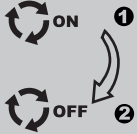





Ring B: rear wiper

- Park.
- Intermittent wipe.
- Wash-wipe.



VENTILATION

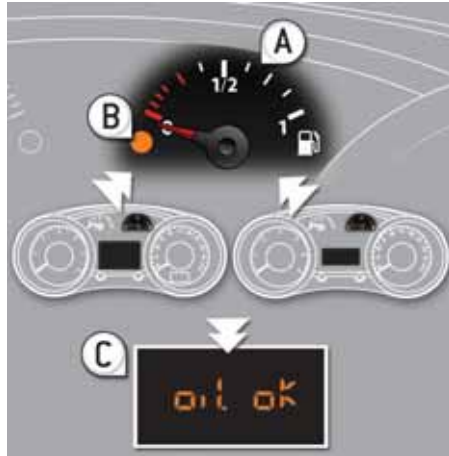
Recommended interior settings

I require...	Heating or Manual Air Conditioning				
	Air distribution	Air flow	Air recirculation/ Intake of outside air	Temperature	Manual A/C
HOT					
COLD					ON
DEMISTING DEFROSTING					ON

Digital air conditioning: we recommend use of the fully automatic mode by pressing the "AUTO" button.

MONITORING

Instrument panel



- A. With the ignition on, the needle should indicate the level of fuel remaining.
- B. With the engine running, its associated low level warning lamp should switch off.
- C. With the ignition on, the oil level indicator should display "OIL OK" for a few seconds.

If the levels are not correct, top up the levels which are low.



Warning lamps



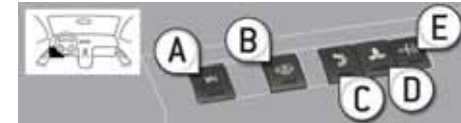
1. With the ignition on, the orange and red warning lamps come on.
2. With the engine running, these warning lamps should switch off.

If warning lamps remain on, refer to the page concerned.



Switch panels

Lower



Lighting of the indicator lamp indicates the status of the corresponding function.

- | | | |
|--|--|-----|
| A. Parking space sensors. | | 161 |
| B. Interior protection alarm. | | 78 |
| C. Visual and audible parking sensors. | | 159 |
| D. ESP OFF. | | 126 |
| E. Child lock. | | 122 |

Central



- | | | |
|--------------------------|--|-----|
| F. Head-up display. | | 143 |
| G. Hazard warning lamps. | | 123 |
| H. Distance alert. | | 145 |
| I. Central locking. | | 74 |

PASSENGER SAFETY

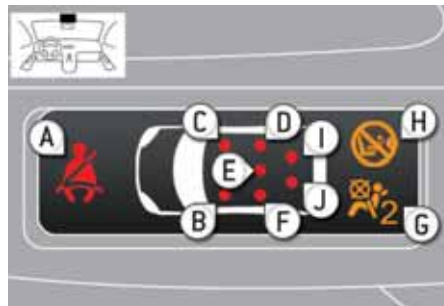
Passenger's front airbag



1. Insert the key.
2. Select the position:
"OFF" (deactivation), with "rear facing" child seat,
"ON" (activation), with front passenger or "forwards facing" child seat.
3. Remove the key keeping the switch in the new position.



Seat belts and passenger's front airbag



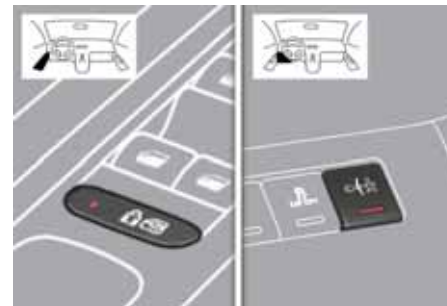
- A. Front and/or rear seat belts not fastened/unfastened warning lamp.
- B. Front left seat belt warning lamp.
- C. Front right seat belt warning lamp.
- D. Rear right seat belt warning lamp.
- E. Rear centre seat belt warning lamp.
- F. Rear left seat belt warning lamp.
- G. Passenger's front airbag deactivated warning lamp.
- H. Passenger's front airbag activated warning lamp.



7 seat version (3rd row)

- I. Rear right seat belt warning lamp.
- J. Rear left seat belt warning lamp.

Child lock (locking of the rear doors)



Lighting of the indicator lamp indicates the status of the corresponding function.



ARRANGING YOUR SEATS

Folding the seats in the 2nd row



- ☞ Pull the strap **A** upwards firmly to release the seat and continue to pull until the seat is fully folded.

From the boot

- ☞ Pull the strap **B** to release the seat and push the seat back forwards gently.

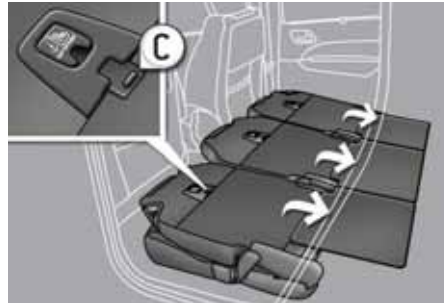


Putting the seats back in place



- ☞ Raise the seat back and push it rearwards until it locks.

Rigid panel



- ☞ After folding the seats, slide the catch **C**.



7 SEAT VERSION

Access to the 3rd row seats

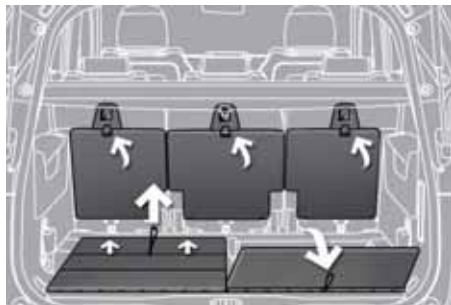


- ☞ Close the aircraft style tables on the 2nd row seats if they are open.
- ☞ Hold the control **D** up, the seat is released and the seat base rises to the seat back.
- ☞ Push the seat back forwards, holding the control **D** forwards.

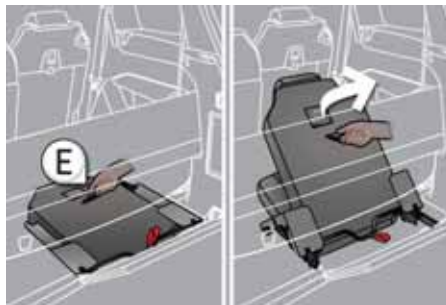


ARRANGING YOUR SEATS (7 SEAT VERSION)

Changing from 5 to 7 seats



- ☞ Place the rigid panels of the 2nd row seats upright and lock them then fold the concertina boards rearwards.
- ☞ Remove the load space cover and store it in its housing.

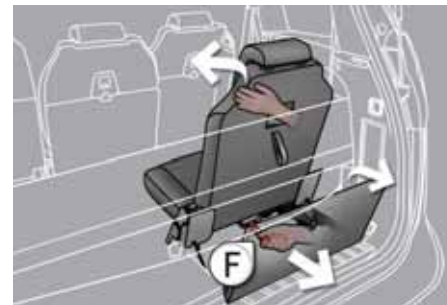


- ☞ Pull the strap **E** and guide the seat until the assembly locks.
- ☞ Fold the concertina boards forwards.



69,
108

Changing from 7 to 5 seats



- ☞ Lower the head restraints and place the concertina board in the vertical position behind the seat.
- ☞ While pulling the strap **F**, push the seat back forwards gently.
- ☞ Remove the load space screen from its storage compartment and position it behind the 2nd row seats.



69,
108

DRIVING SAFELY

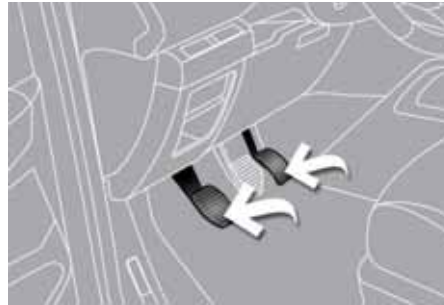
Electric parking brake



Manual application/release

The parking brake can be **applied manually** by **pulling** the control **A**.

When the ignition is on, the parking brake can be **released** manually by **pressing the brake pedal** and **pulling** then **releasing** the control **A**.



Automatic application/release

Press the accelerator and release the clutch (manual gearbox), the parking brake is released automatically and progressively on acceleration.

With the vehicle stationary, when the **engine is switched off**, the parking brake is **applied** automatically.



If this warning lamp is lit on the instrument panel, the automatic application/release is **deactivated**, in this case use the manual application/release.



When the door is opened with the engine running an audible signal is heard, apply the parking brake manually.

Do not leave a child alone in the vehicle with the ignition on, they could release the parking brake.



Before getting out of the vehicle, check that the braking warning lamp (**red !**) and the warning lamp **P**, located in the control **A** are lit permanently (not flashing).

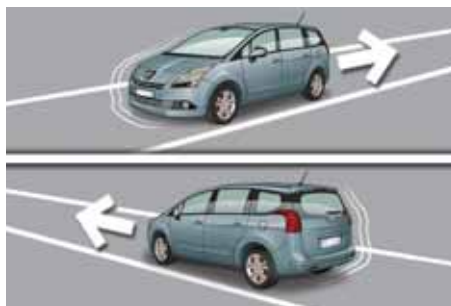


If you are towing a trailer or a caravan or if the gradient is likely to change (transport by ship, lorry, towing, ...), apply the parking brake manually to maximum force (long pull of control **A**) to immobilise the vehicle.



DRIVING SAFELY

Hill start assist



Your vehicle is equipped with a system which keeps it immobile for a short time (approximately 2 seconds) to assist you when starting on a hill, the time required for you to move your foot from the brake pedal to the accelerator pedal.

This function is only active:

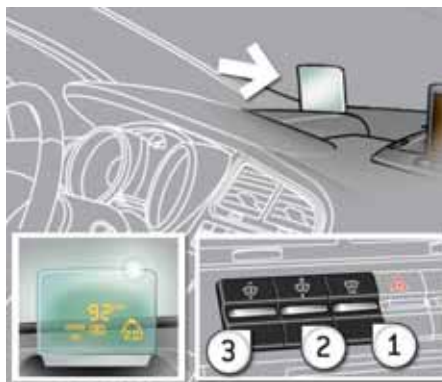
- when the vehicle has been completely stopped with your foot on the brake pedal,
- on certain gradients,
- when the driver's door is closed.



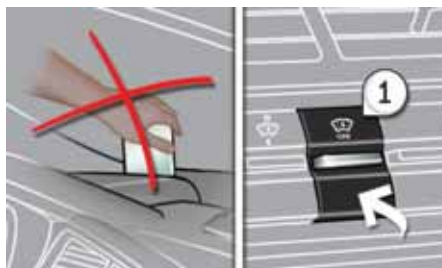
Do not get out of the vehicle during the hill start assist temporary holding phase.



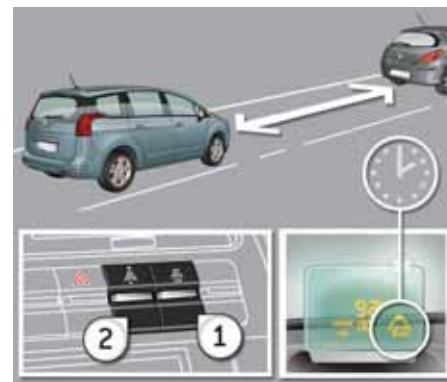
Head-up display



1. Head-up display on/off.
2. Brightness adjustment.
3. Display height adjustment.



Distance alert

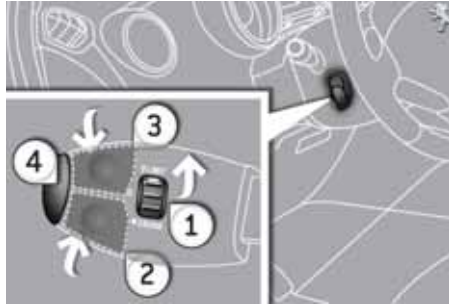


1. Distance alert on/off.
2. Alert value increase/decrease.



The adjustments must be made with the engine running and the vehicle stationary.



DRIVING SAFELY**Speed limiter "LIMIT"**

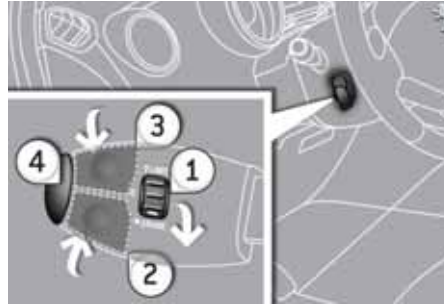
1. Limiter mode Selection/Off.
2. Decrease the programmed value.
3. Increase the programmed value.
4. Speed limiter On/Off.



The values must be set with the engine running.



147

Cruise control "CRUISE"

1. Cruise control mode Selection/Off.
2. Programme a speed/Decrease the programmed value.
3. Programme a speed/Increase the programmed value.
4. Cruise control Off/Resume.



In order to be programmed or activated, the vehicle speed must be higher than 25 mph (40 km/h), with at least fourth gear engaged on the manual gearbox (second gear for the 6-speed electronic gear control gearbox or automatic gearbox).



149

Display on the instrument panel

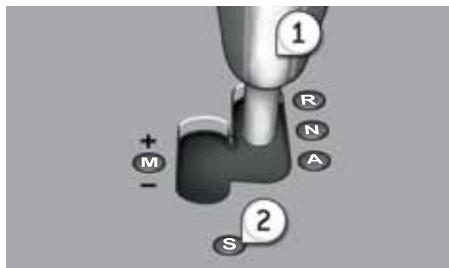
The cruise control or speed limiter mode appears on the instrument panel when it is selected.

**Cruise control****Speed limiter**

DRIVING SAFELY

6-speed electronic gear control gearbox

This 6-speed electronic gear control gearbox offers a choice between the comfort of fully automatic operation or the pleasure of manual gear changing.



1. Gear lever.
2. Button "S" (sport).



3. Steering wheel "-" paddle.
4. Steering wheel "+" paddle.

Moving off

- ☞ Select position **N** and press the brake pedal firmly while starting the engine.
- ☞ Engage first gear (position **A** or **M**) or reverse (position **R**) using the gear lever **1**.
- ☞ Take your foot off the brake pedal then accelerate.



Automatic gearbox "Tiptronic - Porsche system"



This six-speed gearbox offers a choice between the comfort of fully automatic operation or the pleasure of manual gear changing.

1. Gear lever.
2. Button "S" (sport).
3. Button "❄" (snow).

Moving off

- ☞ Select position **P** or **N** and press the brake pedal firmly while starting the engine.
- ☞ Select position **R**, **D** or **M**.
- ☞ Take your foot off the brake pedal, then accelerate.

