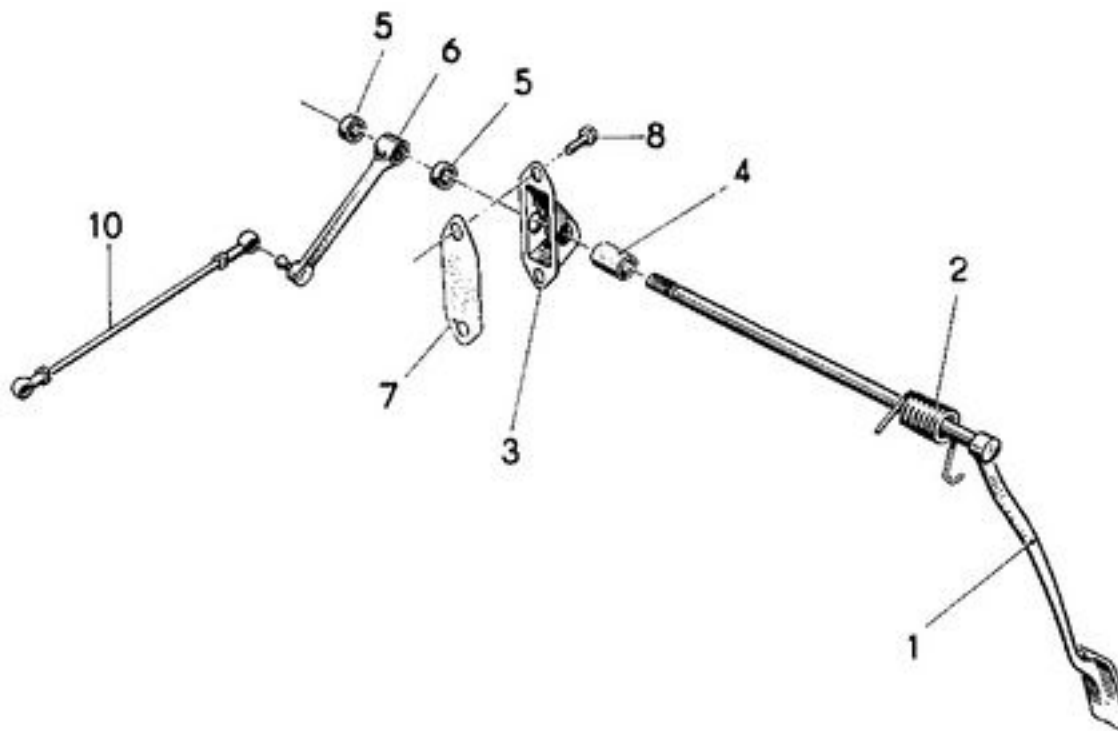


Accelerator Pedal Controls

Plate 28

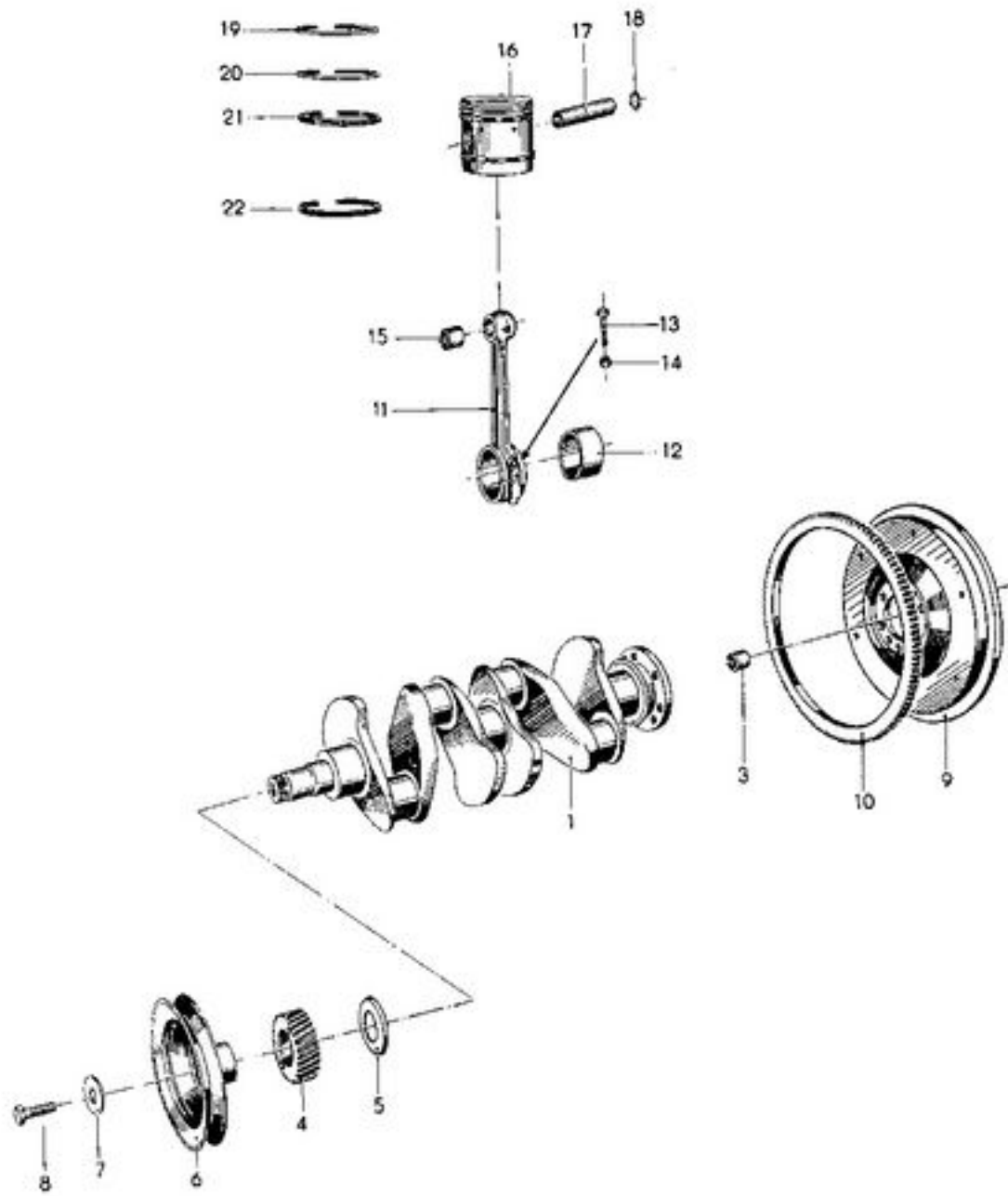


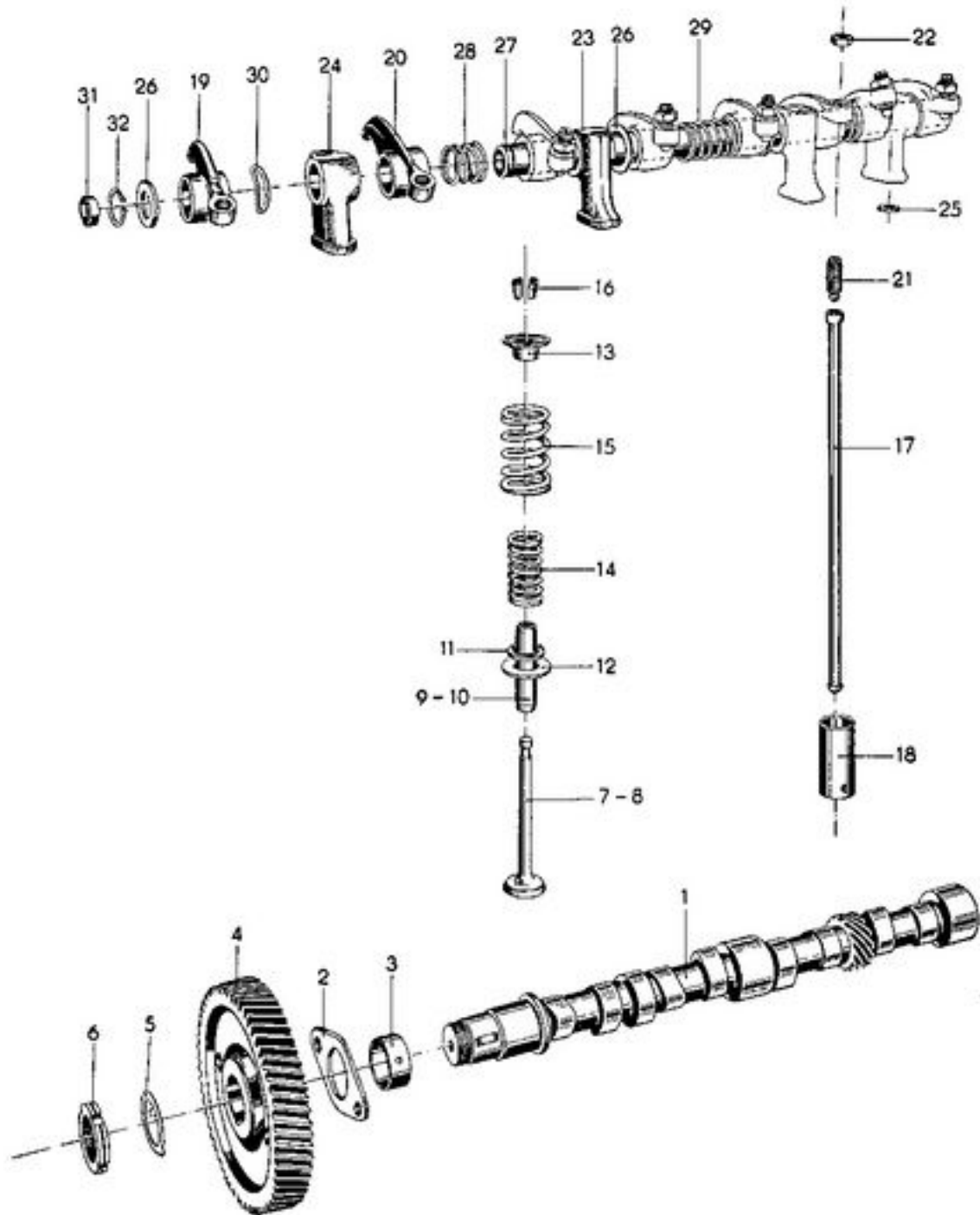
Key No.	Old Part Number	New Part Number	Description	No. per vehicle
1	D 55.31-24 U	055 140 02 00	<u>Accelerator pedal with shaft, compl.</u> . . .	1
2	E 55.31-28	000 973 03 00	Torsion spring	1
3	E 55.31-13	055 141 03 00	Bearing bracket	2
4	E 55.31-26	055 141 07 00	Lubricator felt bush, long	1
5	E 55.31-27	055 141 06 00	ditto , short	2
6	E 55.31-25 U	055 140 99 01	Lever, complete	1
-	E 55.31-71 U	055 140 04 01	Lever, complete	1
-			Tapered dowel pin 5 x 20 DIN 1471	1
7	E 55.31-14	000 989 06 00	Gasket	2
8			Bolt, hex. M 6 x 12 DIN 933	4
-			Nut, hex. for above M 6 DIN 934	4
10	E 55.31-32 U	055 140 99 02	<u>Operating rod, complete</u>	1
-	E 55.31/40-24 U	000 970 01 00	Operating rod, complete	1
-			Ball socket A 8 DIN 71805	2
-			Nut, hex. M 5 DIN 934	2
-	E 38.48-92	000 982 32 00	Rubber ring	1

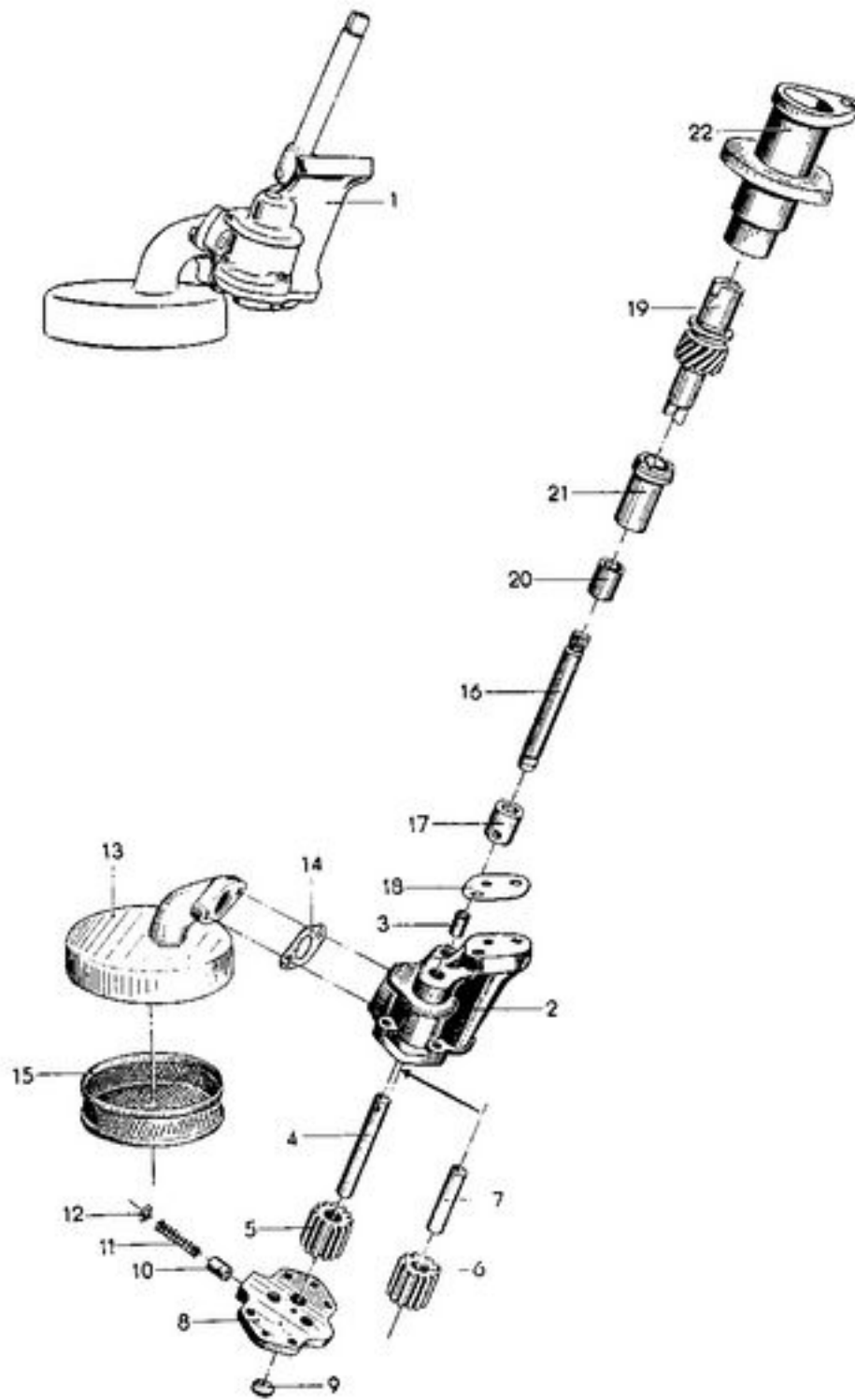
© 1957 Borgward Motors, Inc., USA

© 1957 Borgward Motors, Inc., USA

Plate 2

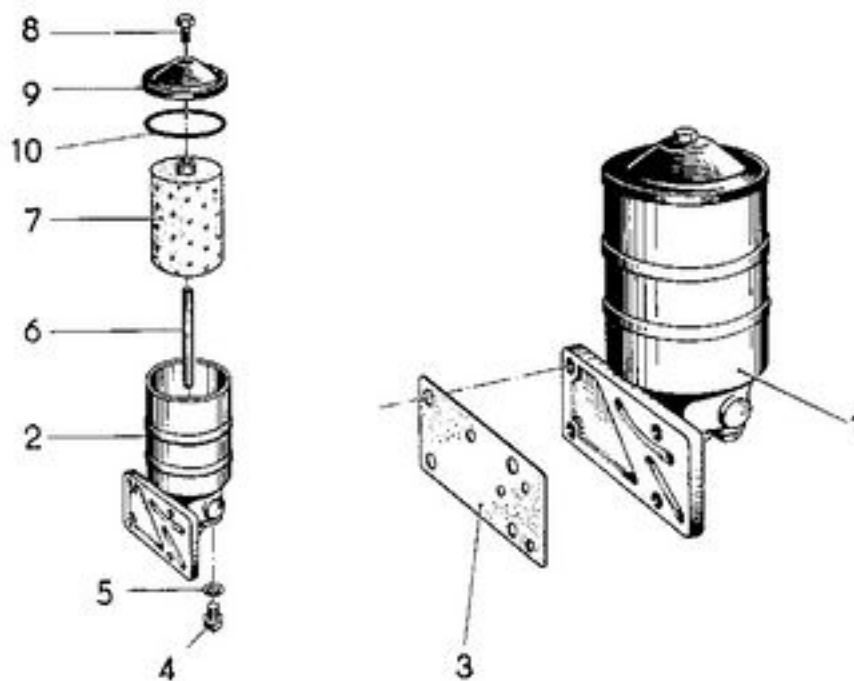






Engine 4 M 1.5 II Side flow oil filter

Plate 5

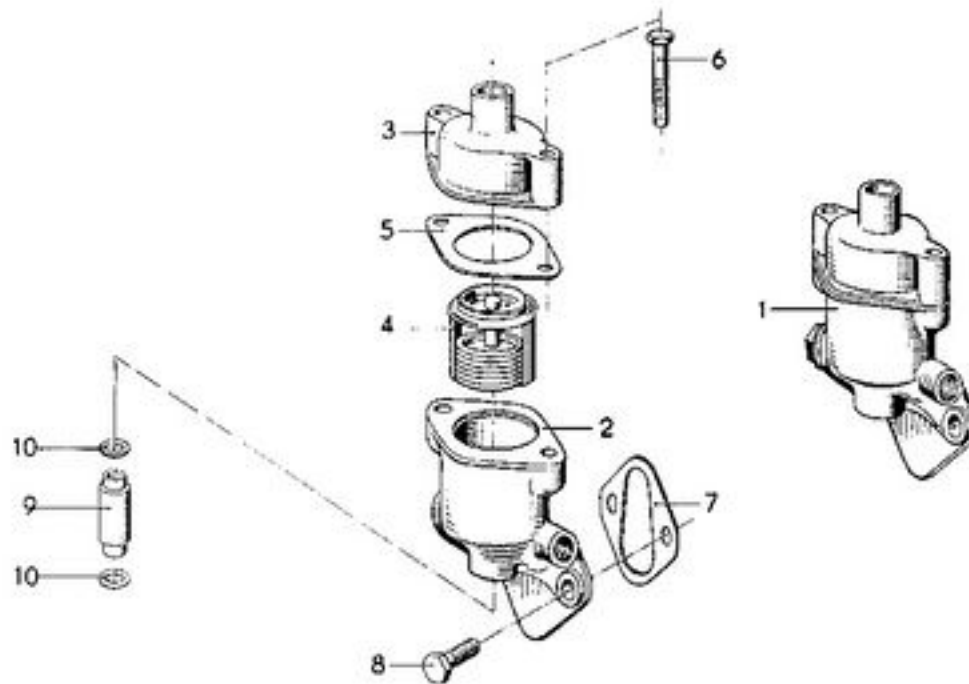


Key No.	Old Part Number	New Part Number	Description	No. per vehicle
1	71.12-24 U	071 300 77 00	Side flow oil filter, complete	1
2	C 71.12-17	071 306 25 00	Housing for side flow oil filter	1
3	C 71.12-11	071 306 34 00	Gasket for above	1
4			Drainscrew (Sludge drain) AM 22 x 1.5 DIN 7604	1
5			Sealing washer for above C 22x27 DIN 7603 .	1
-			Bolt, hex., for oil drainage M 10x30 DIN 933.	1
-			Sealing washer for above A 10x16 DIN 7603 .	1
6	E 71.12-18	071 306 26 00	Guide tube for filter element	1
7			Filter Element, optional:	
-		071 306 99 00	Bosch FJSJ 24 S 3 Z	1
-		071 306 99 01	Fram C 842	1
-		071 306 99 02	Knecht EN 108	1
8		071 306 33 00	Bolt, hex., with breather	1
-			Bolt, hex., M 10x1x35 DIN 960	1
-			Sealing washer for above C 10x16 DIN 7603	1
-			Nut, hex., for oil filter attachment M 8 DIN 934	5
9	SKE 82511	071 300 78 00	Cover with spring	1
10			Gasket A DIN 71.455	1
-			Breather screw M 6 x 10 DIN 933	1
-			Sealing washer C 6 x 10 DIN 7603	1

* 1) Optional

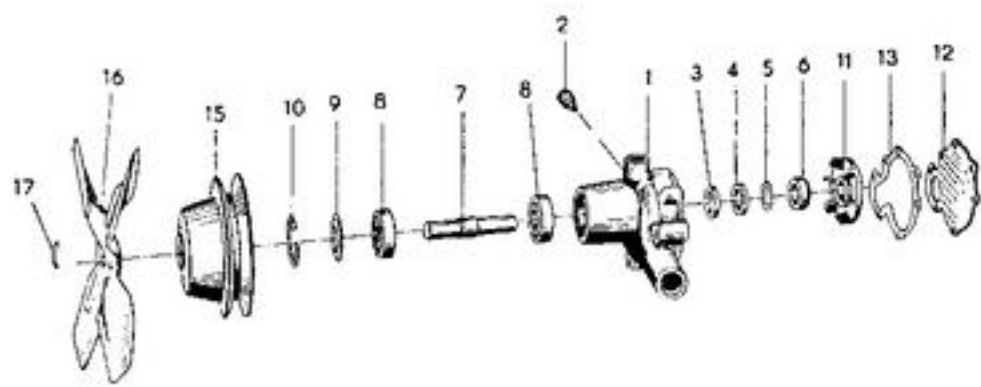
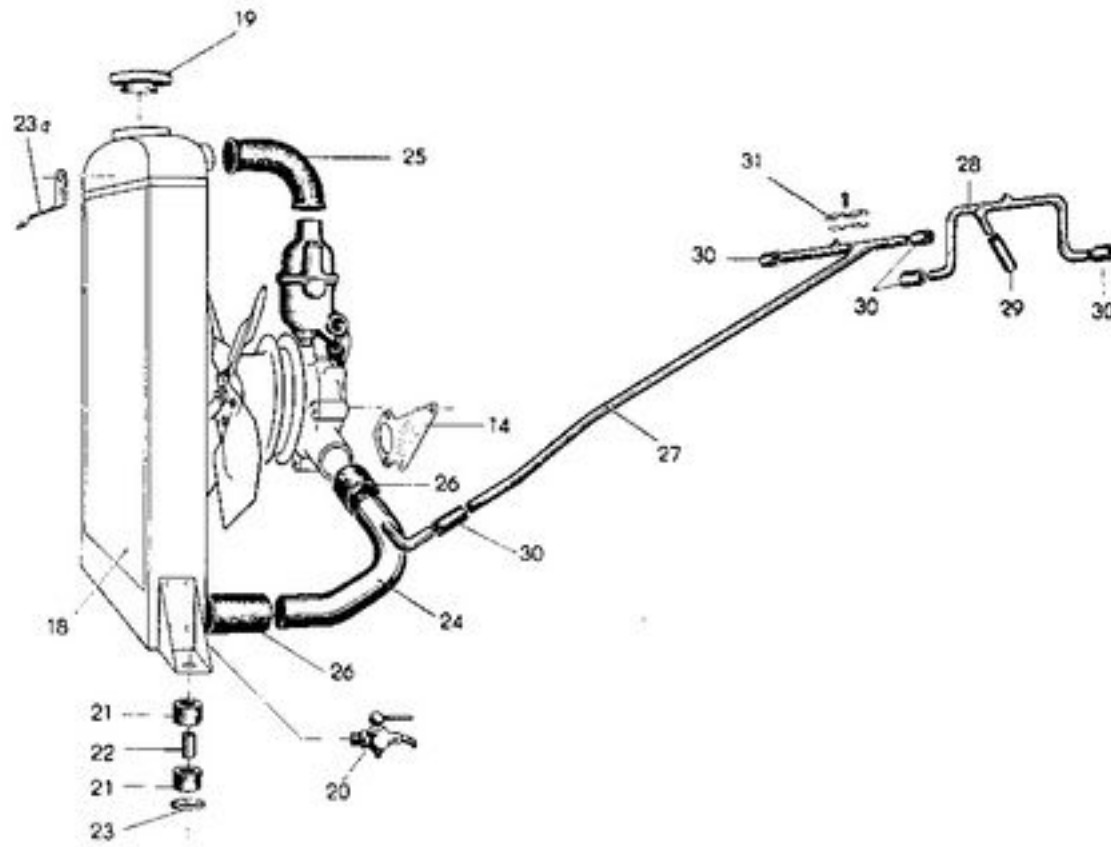
Cooling: Thermostat Engine 4 M 1.5 II

Plate 6



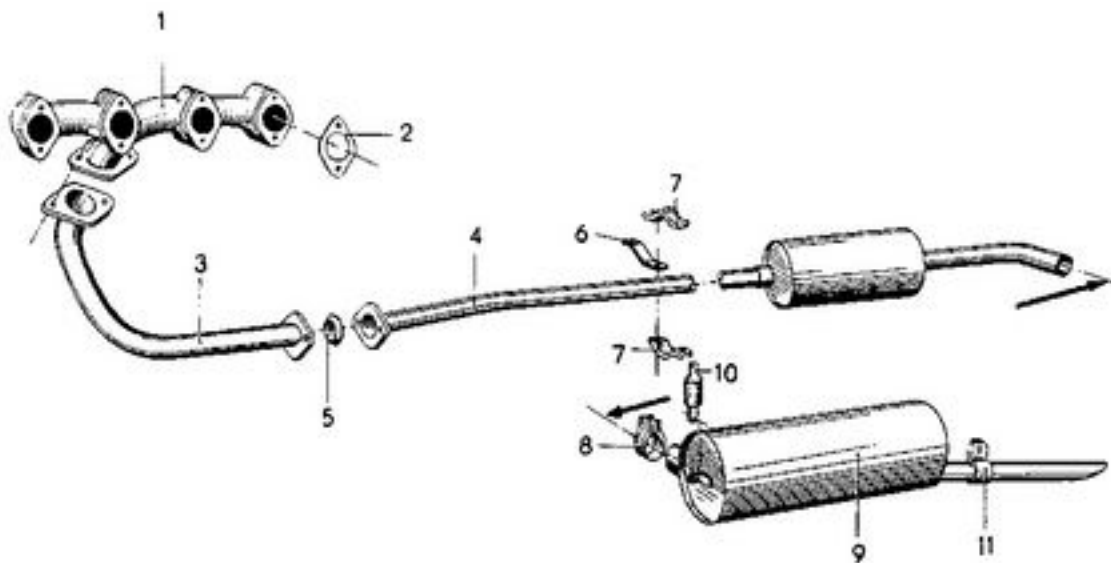
Key No.	Old Part Number	New Part Number	Description	No. per vehicle
1	71.12-25 U	071 300 21 00	Thermostat, compl.,	1
2	D 71.12-31	071 302 55 00	Thermostat housing	1
3	D 71.12-16	071 302 56 00	Cover for thermostat housing	1
4	SKE 83 145	071 302 64 00	Thermostat element 78° + 4° C	1
-		071 302 64 01	Thermostat element 75° + 5° C	1
5	E 12.12-36	071 302 60 00	Gasket for cover	1
6			Bolt, hex., M 8 x 50 DIN 931	2
7	E 12.12-24	071 302 61 00	Gasket for connection flange	1
8			Bolt, hex., M 8 x 22 DIN 933	2
9	E 46.16-3	071 302 66 00	Connecting piece	1
10	E 12.16-2	000 982 01 00	Sealing washer	2

Optional

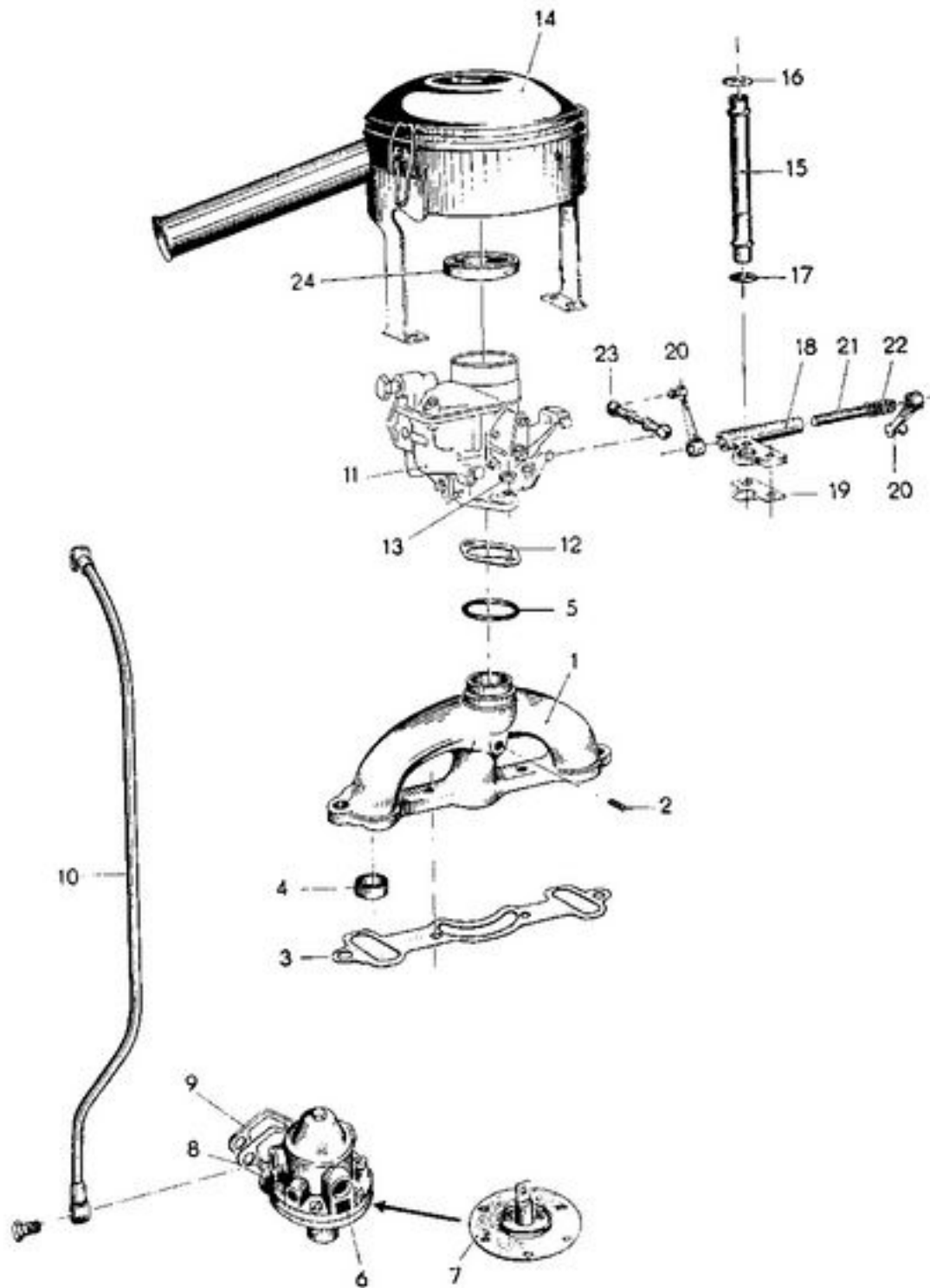


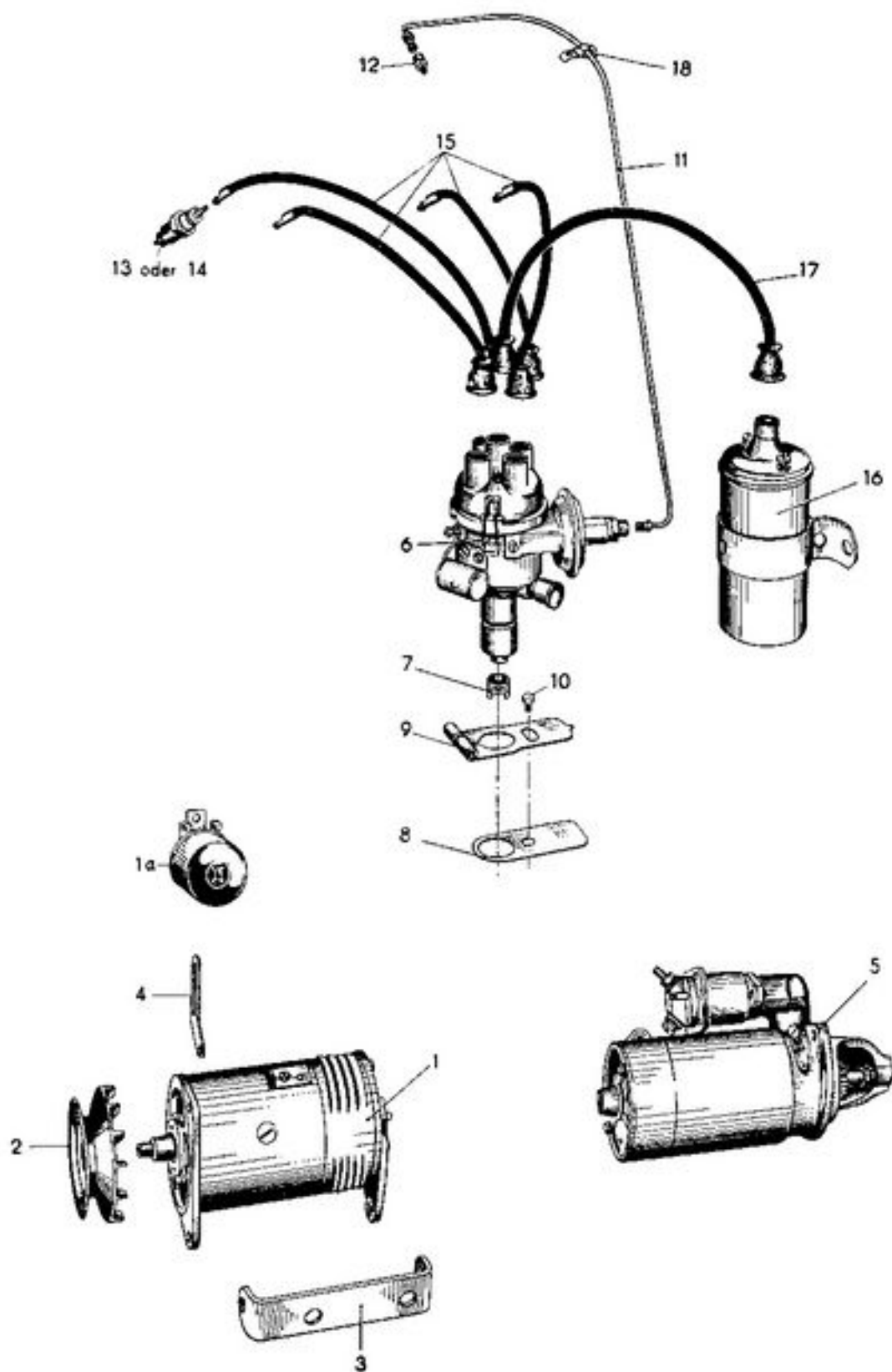
Exhaust System Engine 4 M 1.5 II

Plate 8



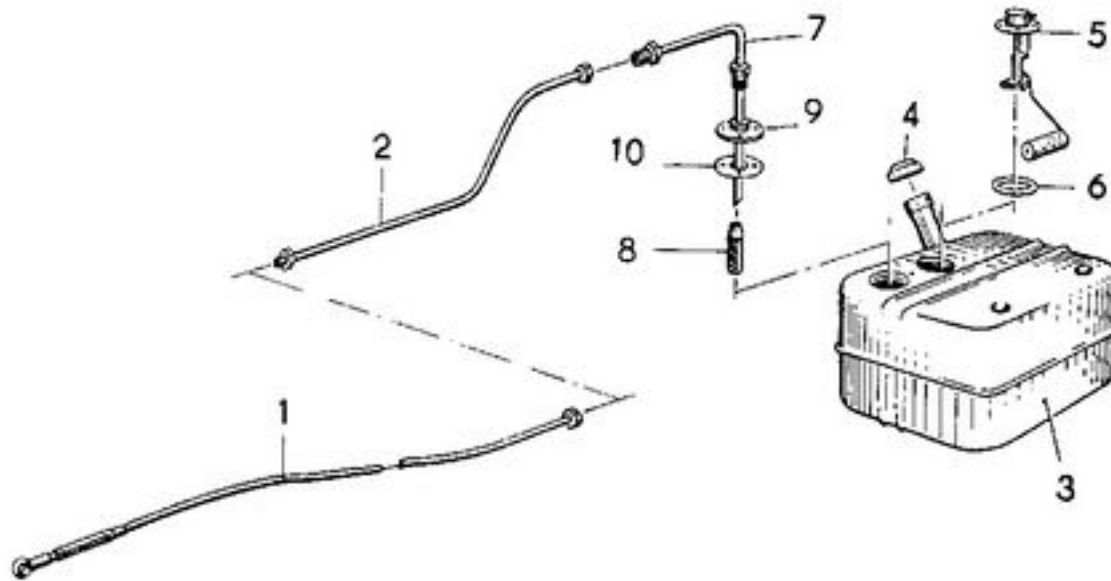
Key No.	Old Part Number	New Part Number	Description	No. per vehicle
1	B 41.12-13	071 302 50 00	Exhaust Manifold	1
2			Gasket 36 DIN 71511 (copper-asbestos) . .	4
-			Nuts, hex., for exhaust manifold (copperplated) M 8 DIN 934	8
3	E 55.36-1 U	055 150 01 00	Exhaust pipe, front	1
4	C 55.36-4 U	055 150 02 00	do. rear with pre-silencer.	1
5	E 28.36-18	055 152 07 00	Sealing washer	2
-			Screws, hex., M 8 x 40 DIN 931	2
-			do., M 8 x 35 DIN 931	2
-	E 55.36-13	000 992 14 00	Special hex. nuts	2
-			Nut, hex., M 8 DIN 934 (copperized) . .	2
6	E 51.36-15 U	055 150 03 00	Rubber strip	2
7	E 55.36-6	055 152 08 00	Pipe clip	2
8	E 55.36-9	055 159 04 00	Clamp	1
-			Screw, hex., M 8 x 18 DIN 933	2
-			M 6 x 18 DIN 933	3
-			Nut, hex., M 8 DIN 934	7
-			M 6 DIN 934	3
9	D 55.36-7 U	055 150 05 00	Silencer (or 055 150 05 01)	1
10	E 55.36-8 U	055 150 06 00	Rubber suspension	2
11	E 51.36-16	055 159 03 00	Silencer clamp	1
-			Screw, hex., M 8 x 15 DIN 933	3
-			M 8 x 25 DIN 931	1





Fuel Tank and Piping

Plate 11



Key No.	Old Part Number	New Part Number	Description	No. per vehicle
1	D 55.33-3 U	055 130 01 00	Fuel pipe, front, complete	1
2	D 55.33-5 U	055 130 03 00	do., rear, complete	1
3	A 65.43-49 U	055 130 04 99	Fuel tank, complete	1
4		055 130 10 00	Filler cap - fuel tank RM 40 DIN 73400 .	1
-			Drain plug AM 18 x 1,5 DIN 7604	1
-			Sealing washer for above C 18x24 DIN 7603	2
5	65.43-179	055 133 01 00	Tank unit (VDO)	1
6	E 65.43-82	055 133 02 00	Gasket for above	1
-			Bolt, hex., for attachment AM 5 x 15 DIN 933	5
7	D 65.43-133U	055 130 09 00	Bent pipe, complete	1
8	E 21.33-10	055 131 09 00	Gauze sieve	1
9	E 65.43-131	055 131 11 00	Flange for above	1
10	E 65.43-87	055 131 12 00	Gasket	1
-			Bolt, hex., AM 5 x 12 DIN 933	4
-			Sealing washer A 5 x 9 DIN 7603	9
-			Mounting of fuel tank see page 117	
-	E 65.43-135	000 977 04 00	Clip for fuel pipe	4
-	E 65.43-218	000 989 05 00	Rubber lining - clip	4