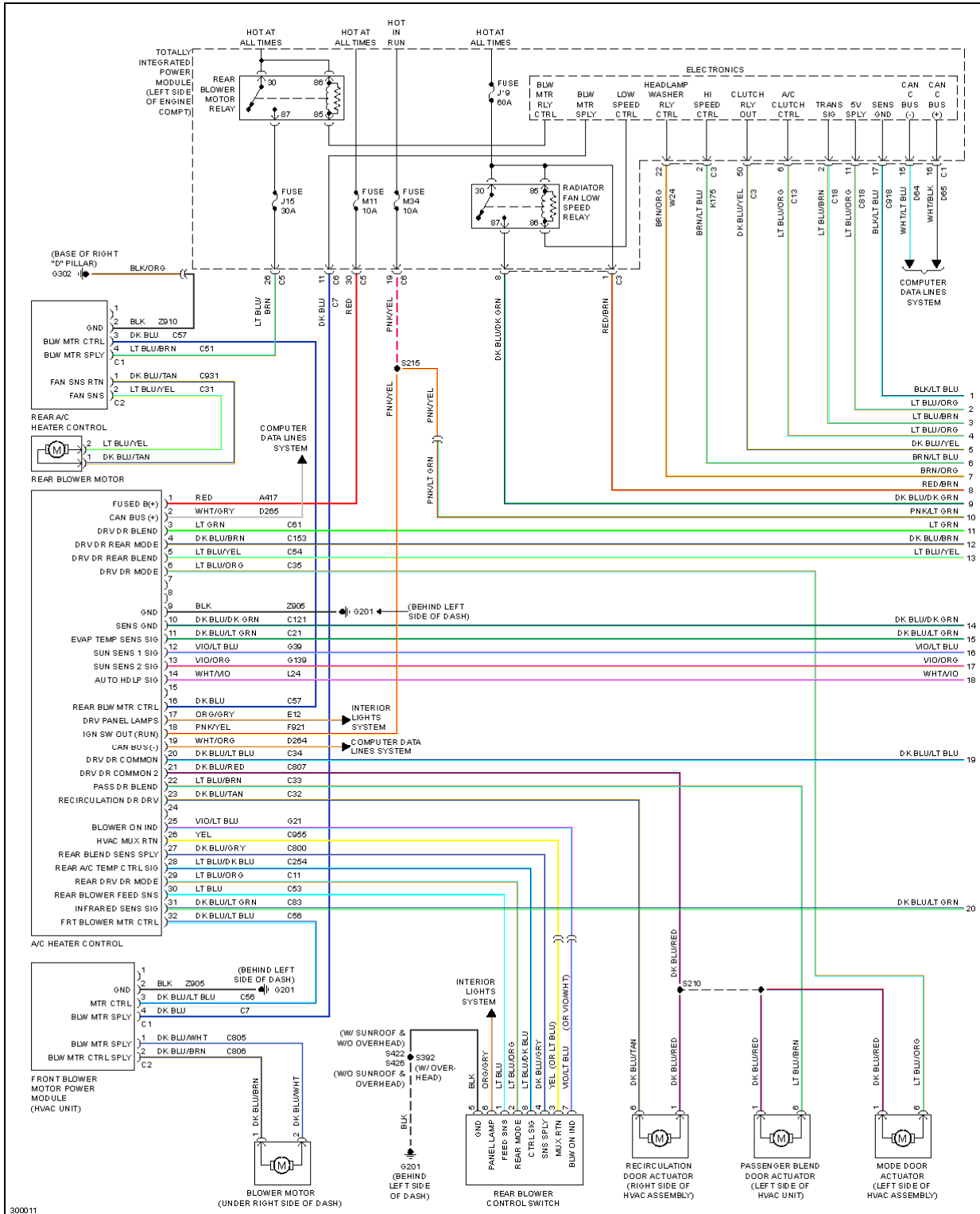


AIR CONDITIONING

2009 Dodge Grand Caravan SE

2009 SYSTEM WIRING DIAGRAMS Dodge - Grand Caravan



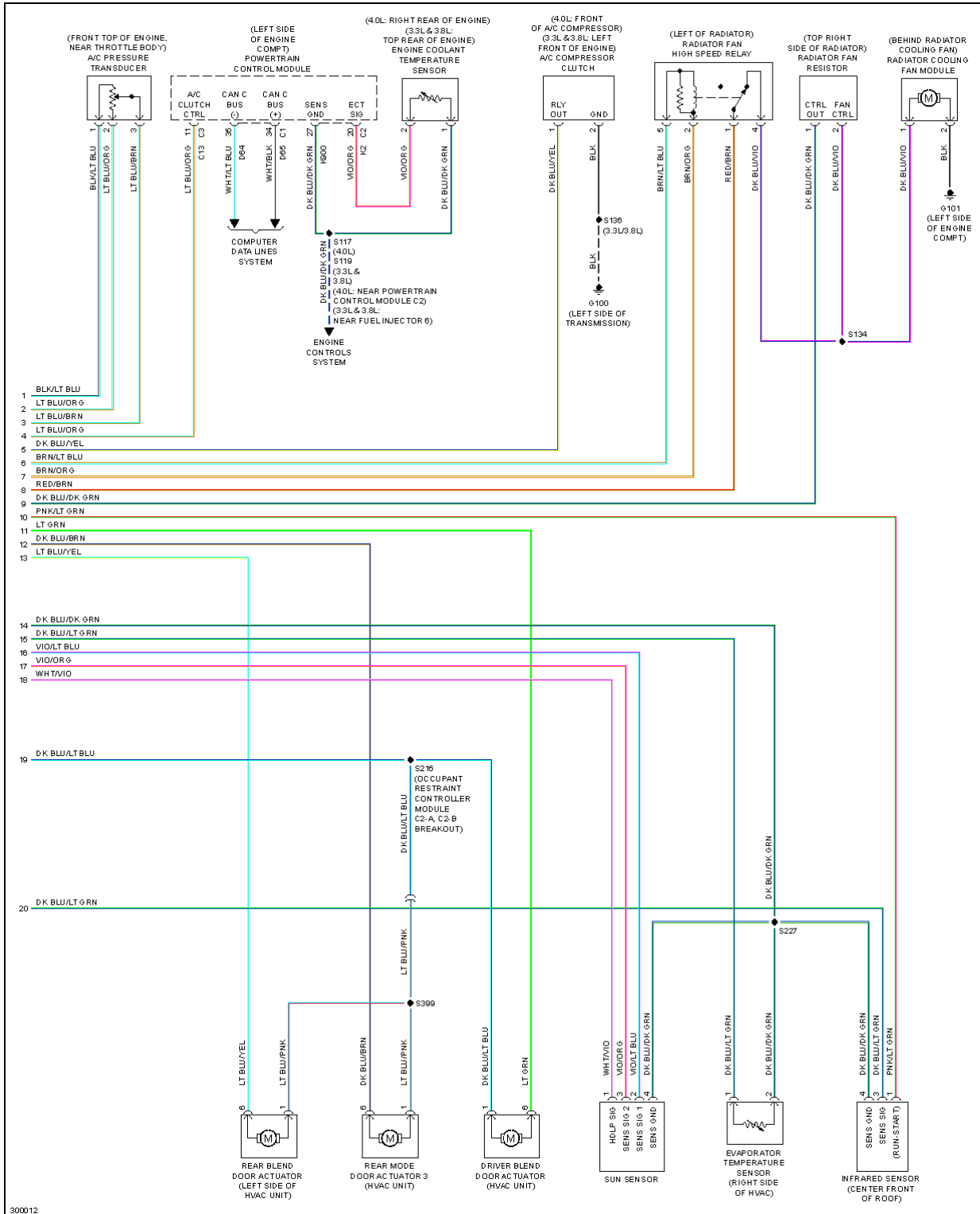
2009 Dodge Grand Caravan SE

2009 SYSTEM WIRING DIAGRAMS Dodge - Grand Caravan

Fig. 1: Automatic A/C Circuit (1 of 2)

2009 Dodge Grand Caravan SE

2009 SYSTEM WIRING DIAGRAMS Dodge - Grand Caravan



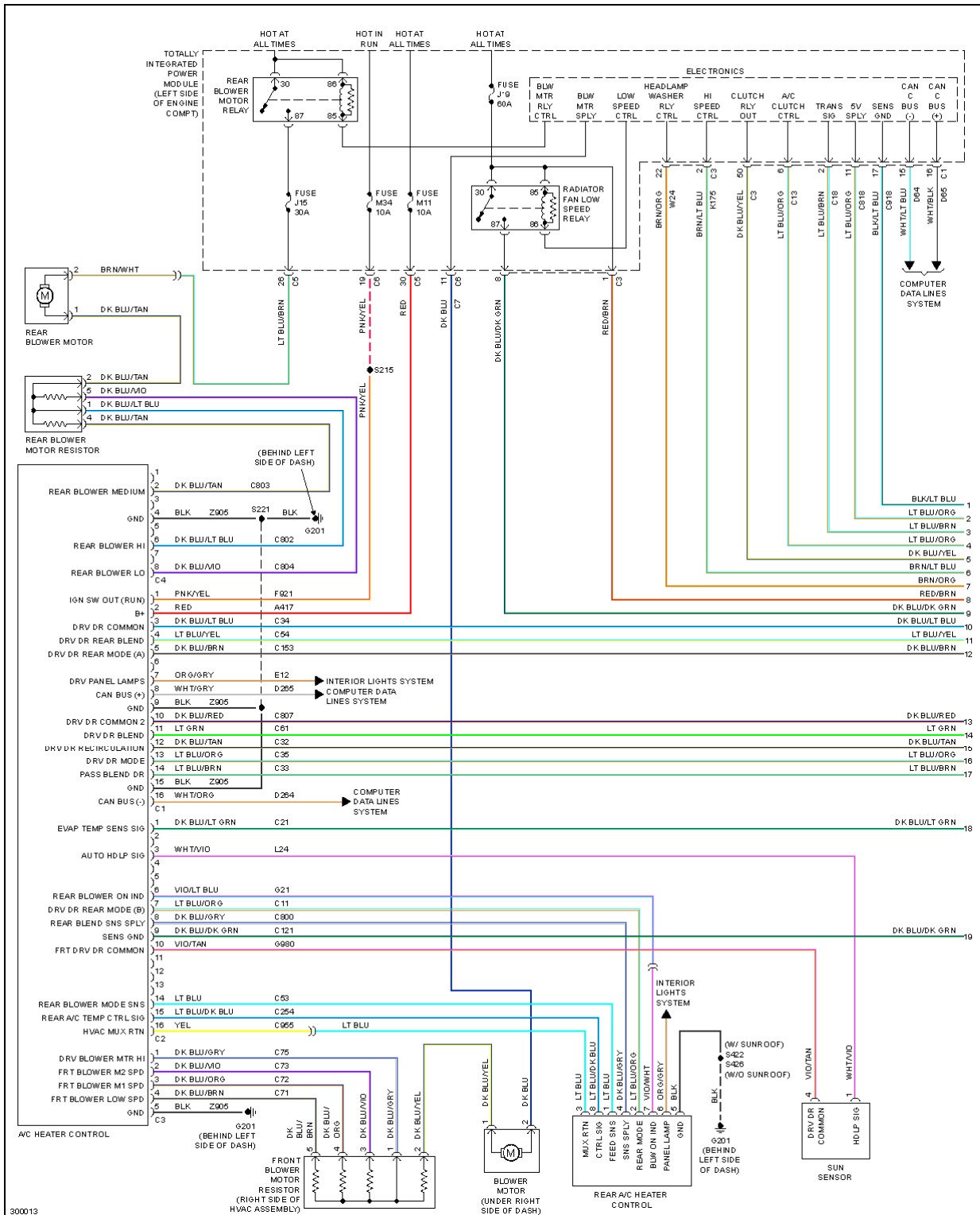
2009 Dodge Grand Caravan SE

2009 SYSTEM WIRING DIAGRAMS Dodge - Grand Caravan

Fig. 2: Automatic A/C Circuit (2 of 2)

2009 Dodge Grand Caravan SE

2009 SYSTEM WIRING DIAGRAMS Dodge - Grand Caravan



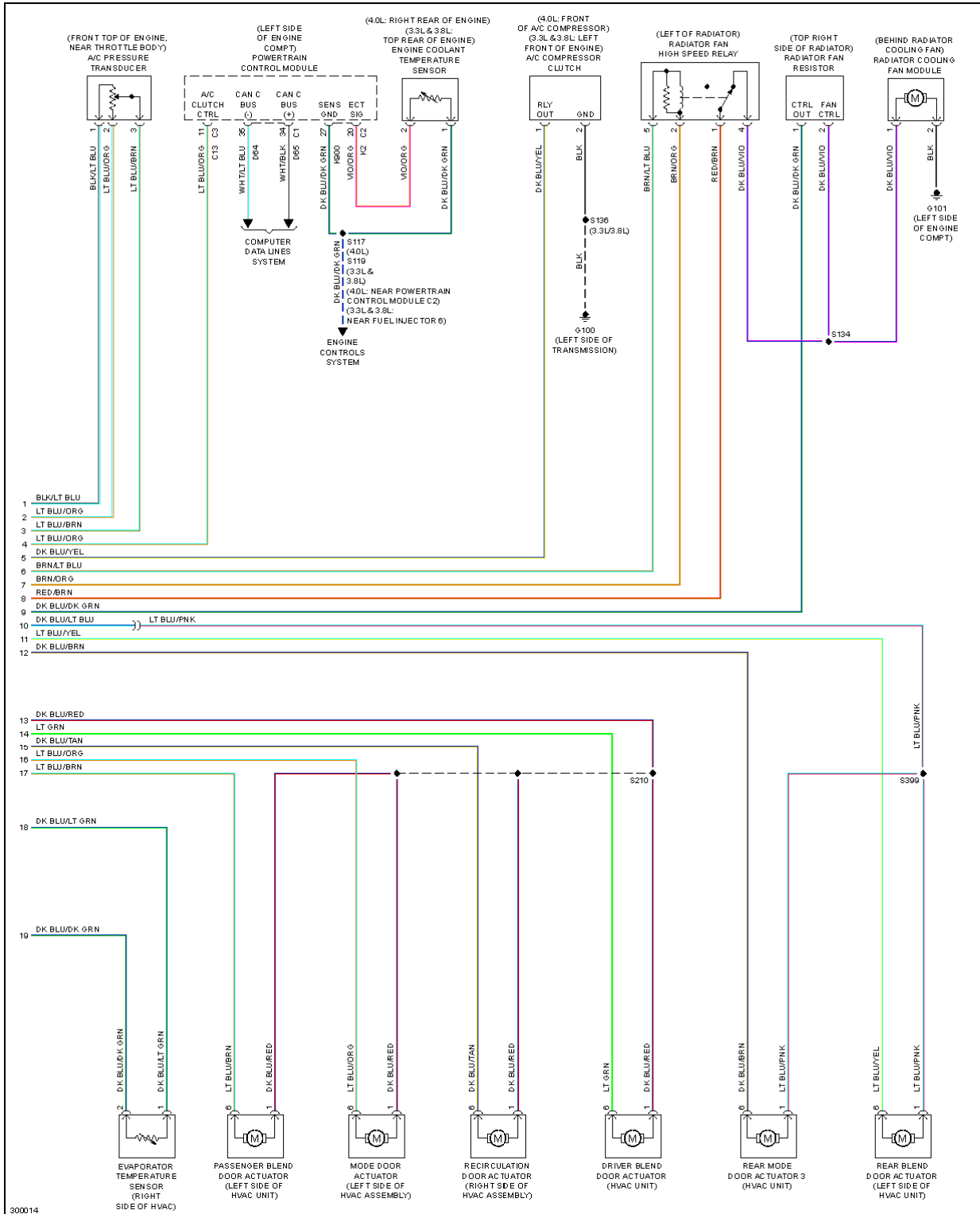
2009 Dodge Grand Caravan SE

2009 SYSTEM WIRING DIAGRAMS Dodge - Grand Caravan

Fig. 3: Manual A/C Circuit, W/ 3 Zone (1 of 2)

2009 Dodge Grand Caravan SE

2009 SYSTEM WIRING DIAGRAMS Dodge - Grand Caravan



2009 Dodge Grand Caravan SE

2009 SYSTEM WIRING DIAGRAMS Dodge - Grand Caravan

Fig. 4: Manual A/C Circuit, W/ 3 Zone (2 of 2)

2009 Dodge Grand Caravan SE

2009 SYSTEM WIRING DIAGRAMS Dodge - Grand Caravan

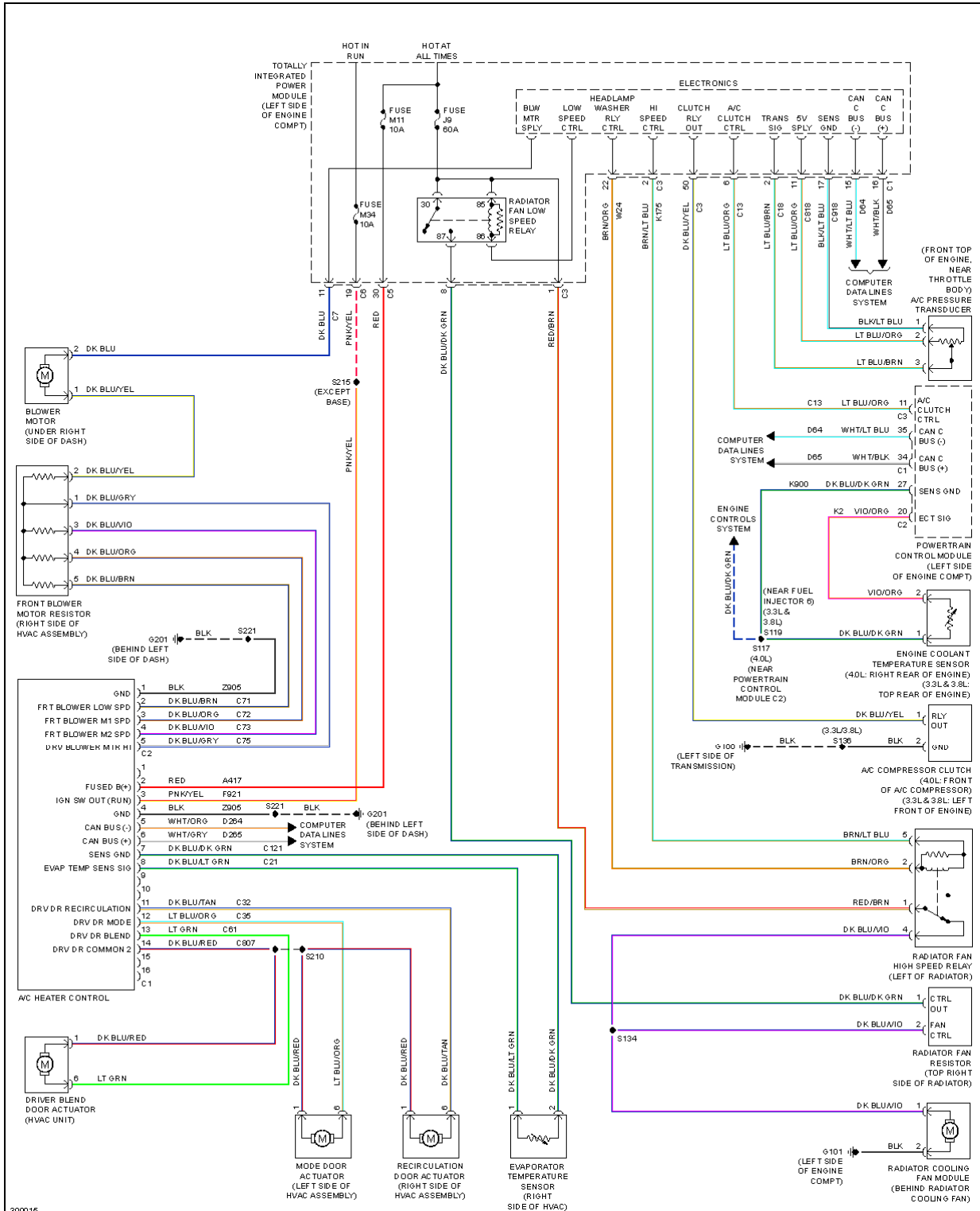


Fig. 5: Manual A/C Circuit, W/O 3 Zone

ANTI-LOCK BRAKES

2009 Dodge Grand Caravan SE

2009 SYSTEM WIRING DIAGRAMS Dodge - Grand Caravan

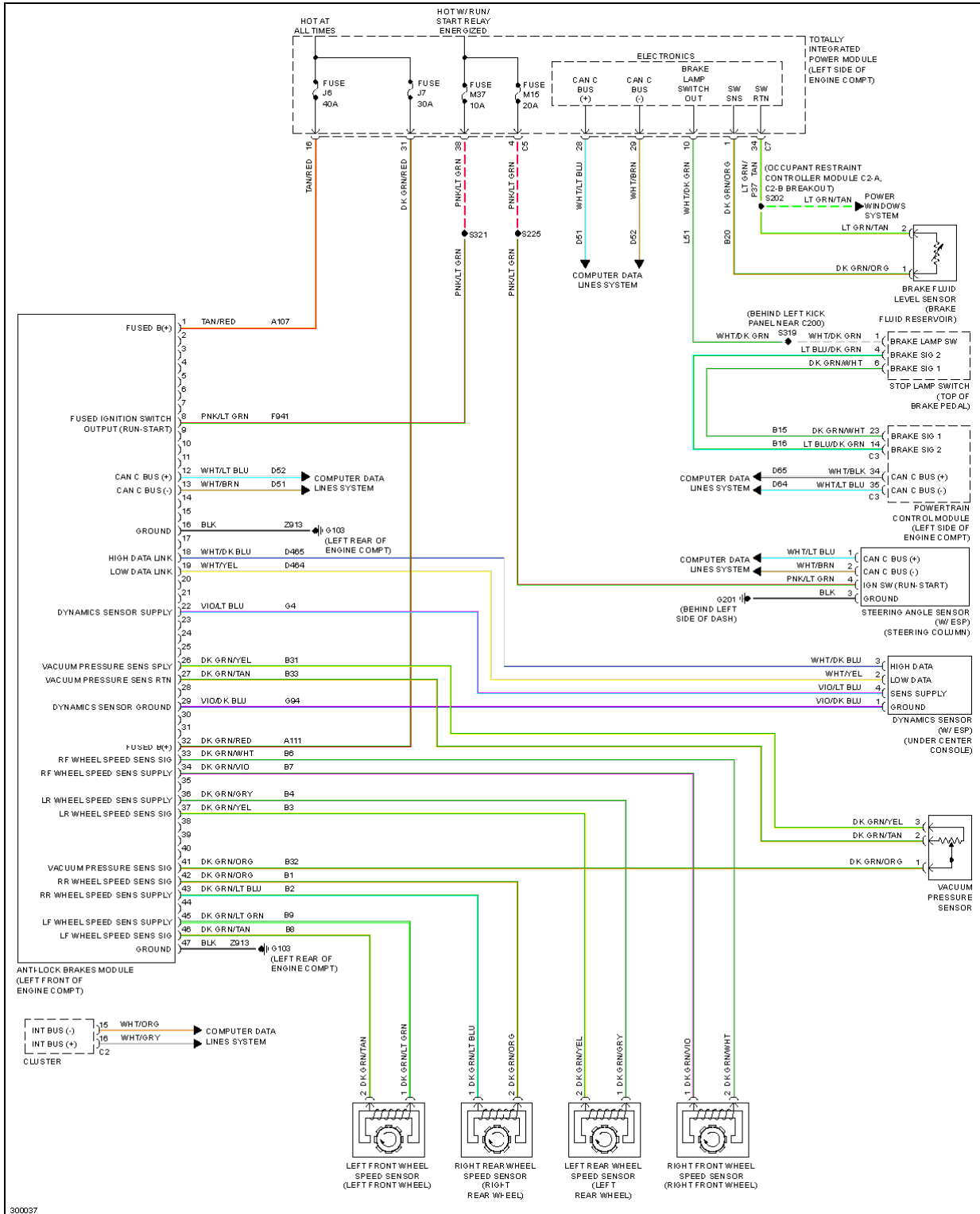
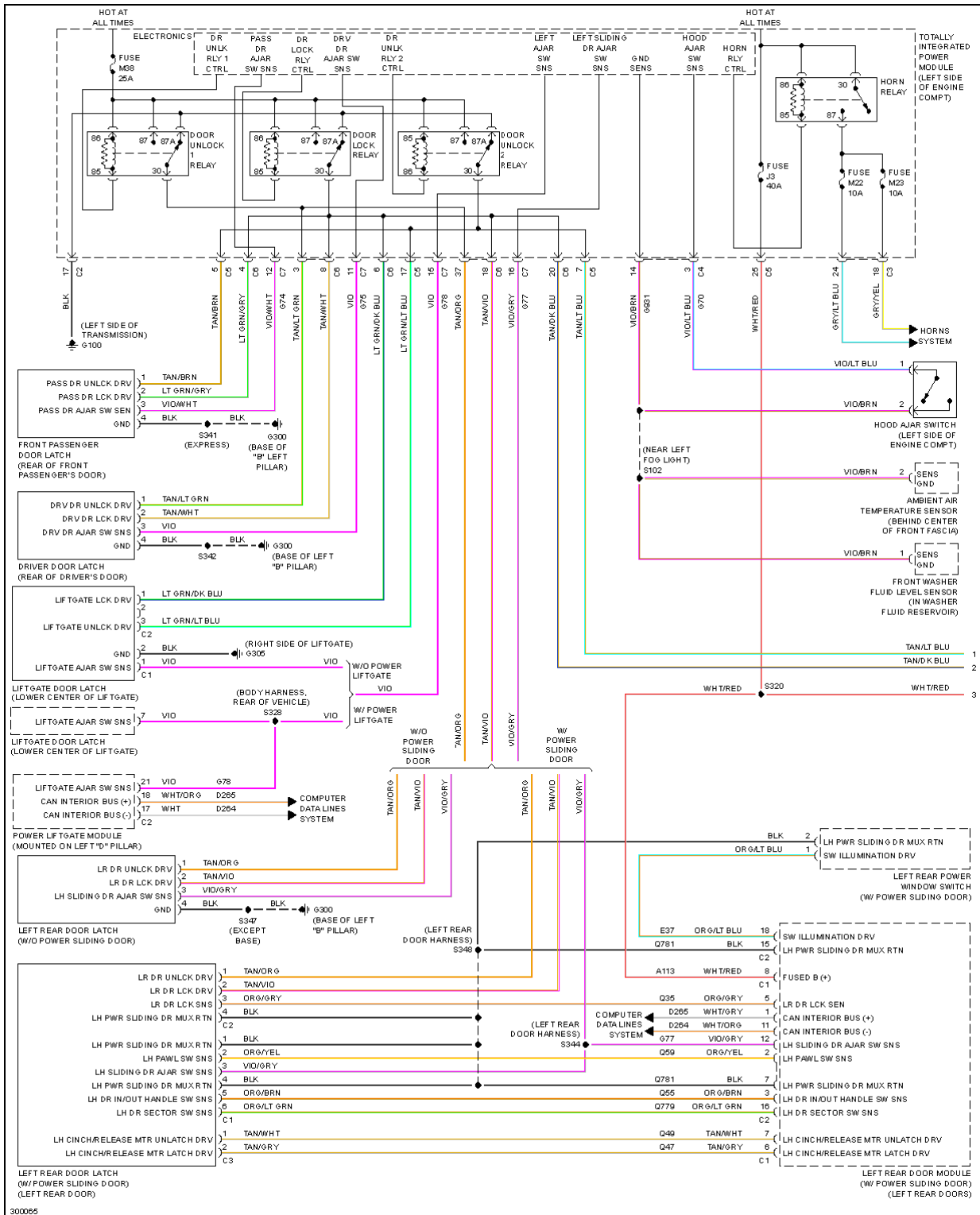


Fig. 6: Anti-lock Brakes Circuit

ANTI-THEFT

2009 Dodge Grand Caravan SE

2009 SYSTEM WIRING DIAGRAMS Dodge - Grand Caravan



2009 Dodge Grand Caravan SE

2009 SYSTEM WIRING DIAGRAMS Dodge - Grand Caravan

Fig. 7: Anti-theft Circuit (1 of 2)

2009 Dodge Grand Caravan SE

2009 SYSTEM WIRING DIAGRAMS Dodge - Grand Caravan

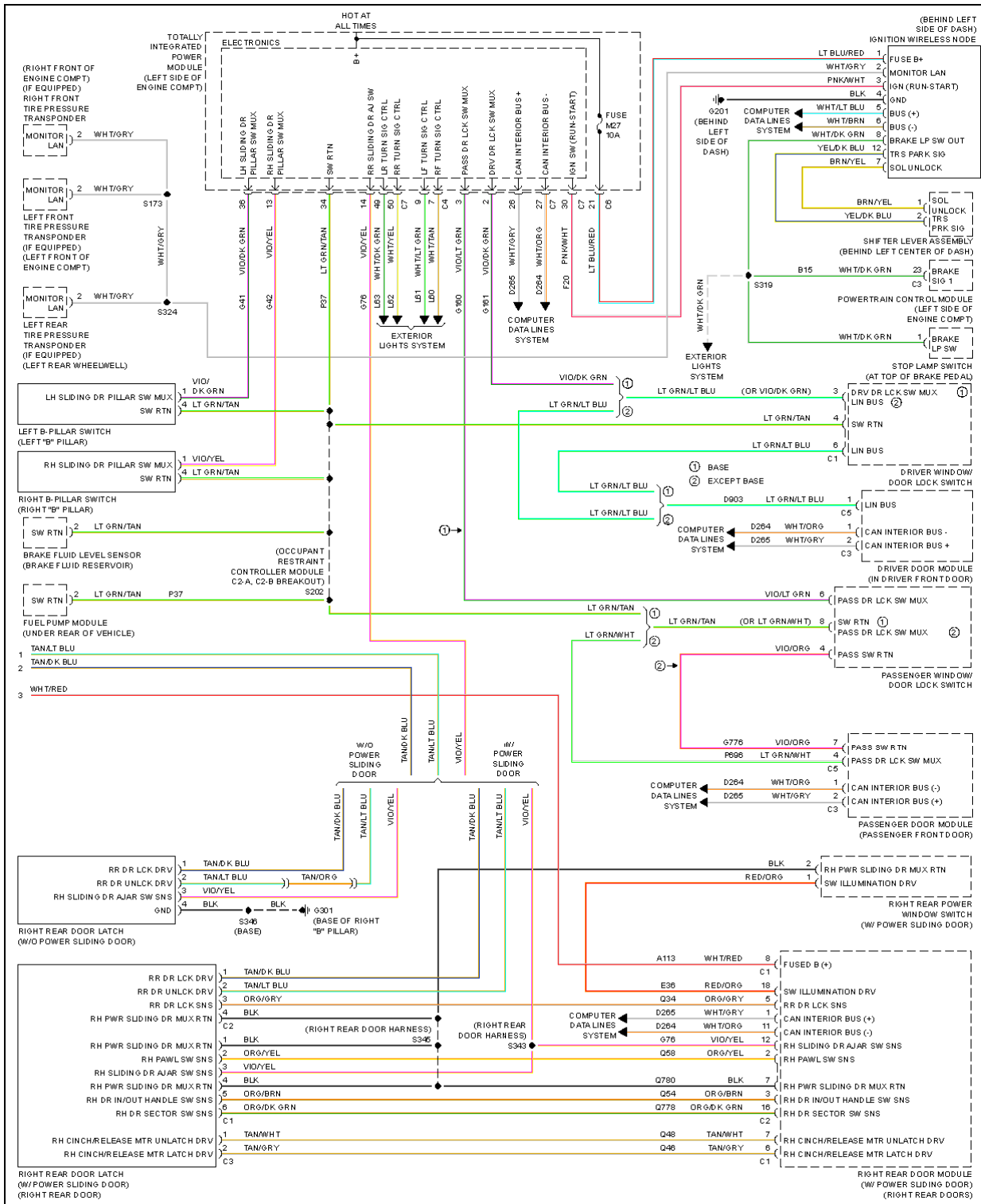
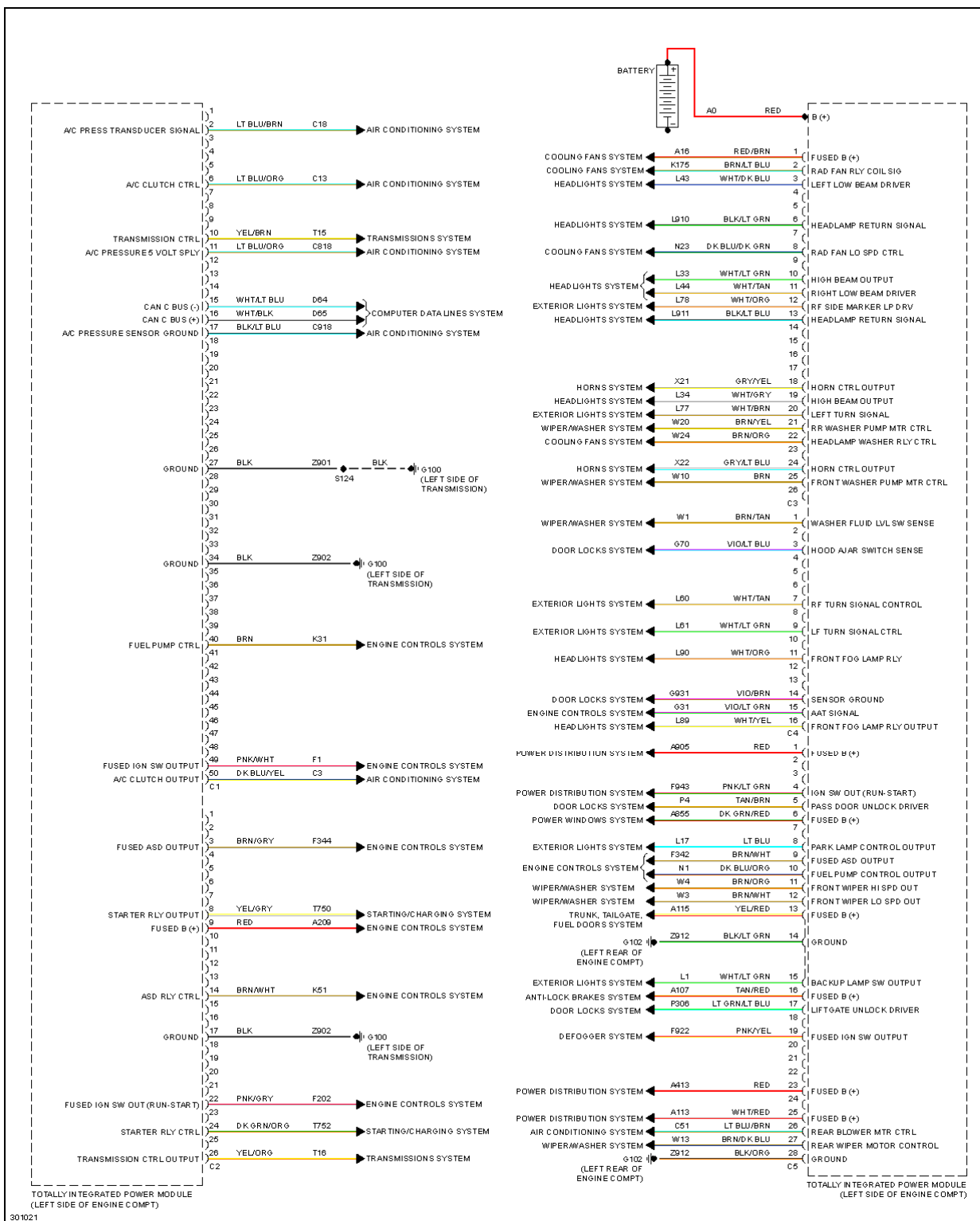


Fig. 8: Anti-theft Circuit (2 of 2)

BODY CONTROL MODULES

2009 Dodge Grand Caravan SE

2009 SYSTEM WIRING DIAGRAMS Dodge - Grand Caravan



2009 Dodge Grand Caravan SE

2009 SYSTEM WIRING DIAGRAMS Dodge - Grand Caravan

Fig. 9: Body Control Modules Circuit (1 of 2)

2009 Dodge Grand Caravan SE

2009 SYSTEM WIRING DIAGRAMS Dodge - Grand Caravan

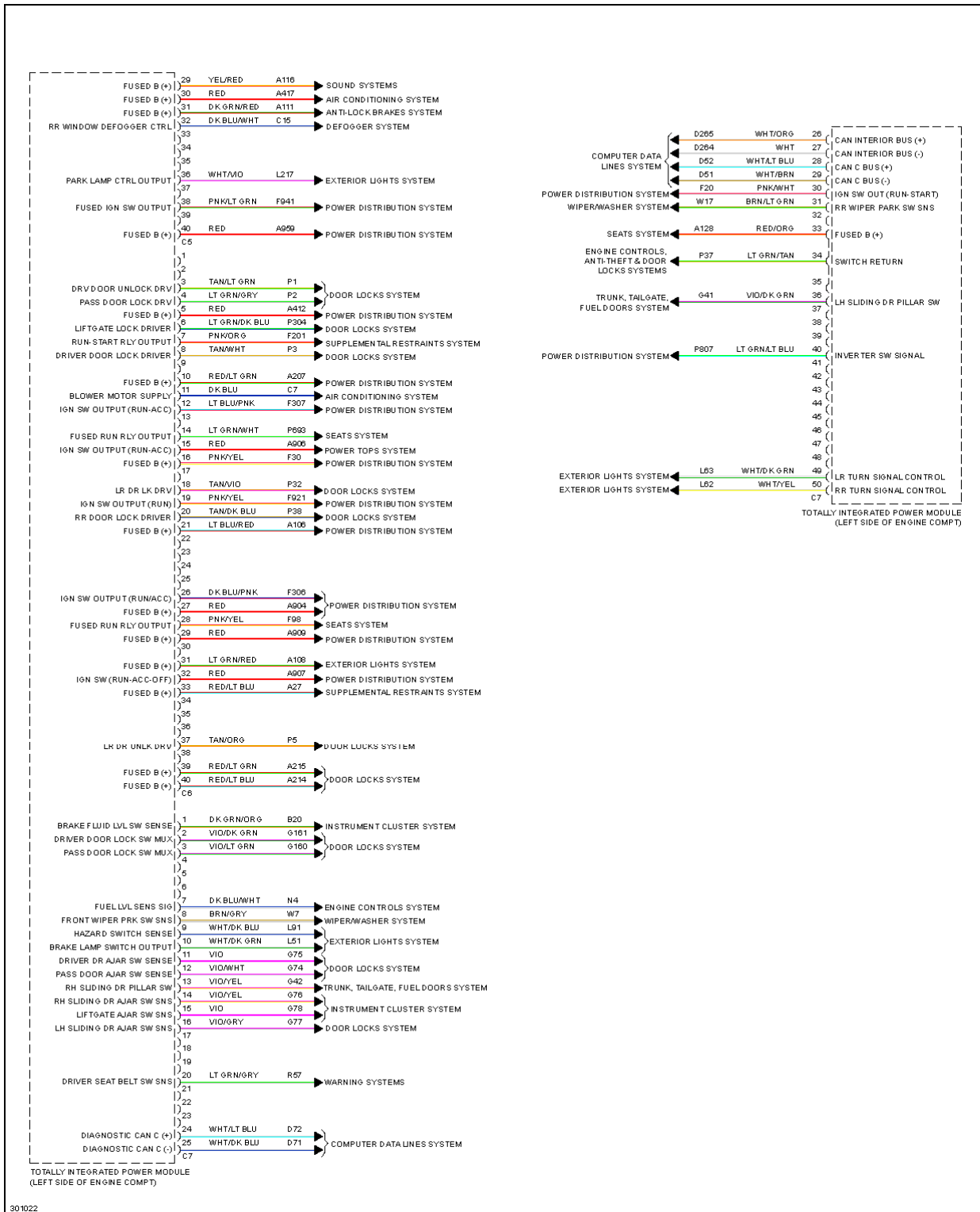
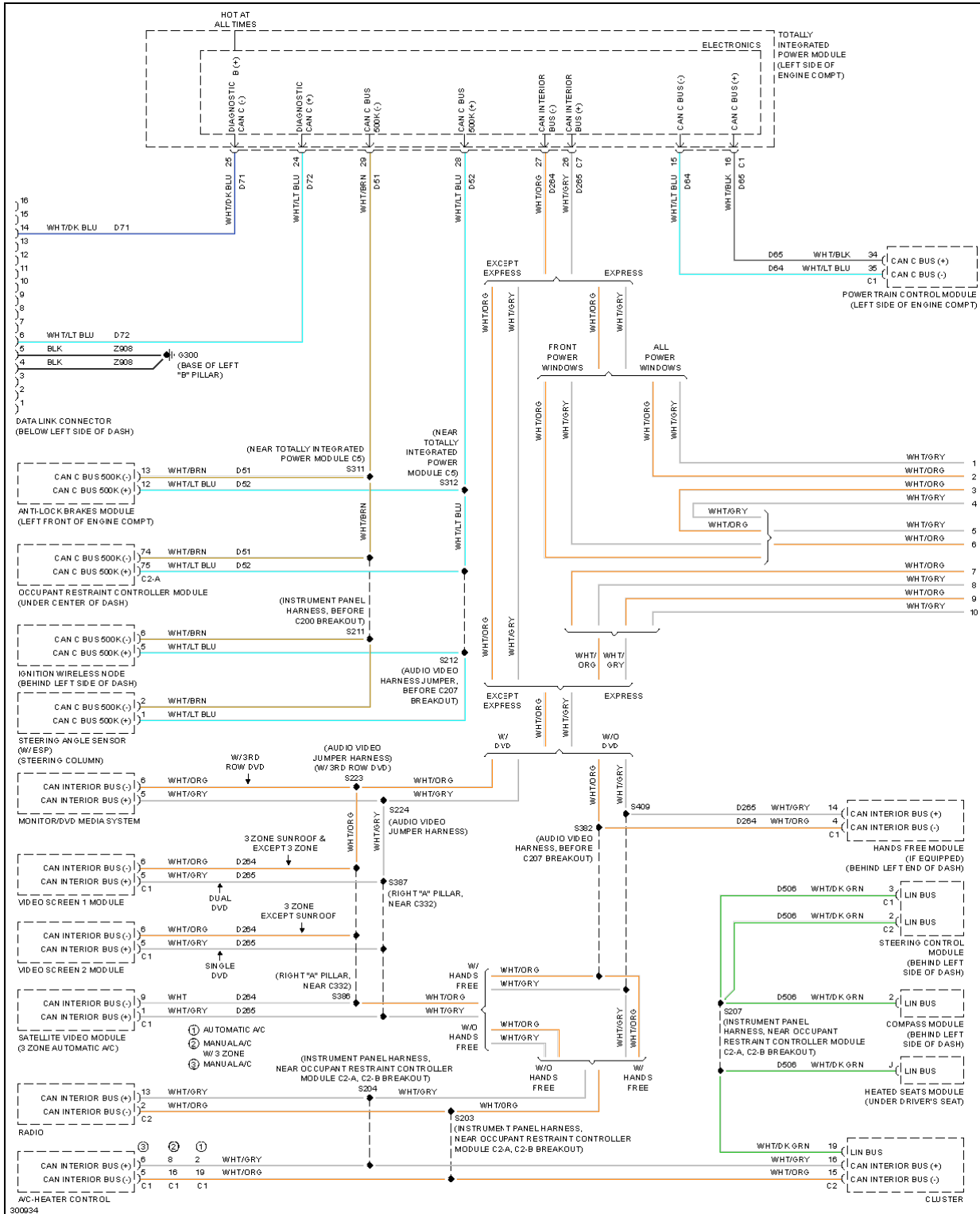


Fig. 10: Body Control Modules Circuit (2 of 2)

COMPUTER DATA LINES

2009 Dodge Grand Caravan SE

2009 SYSTEM WIRING DIAGRAMS Dodge - Grand Caravan



2009 Dodge Grand Caravan SE

2009 SYSTEM WIRING DIAGRAMS Dodge - Grand Caravan

Fig. 11: Computer Data Lines Circuit (1 of 2)

2009 Dodge Grand Caravan SE

2009 SYSTEM WIRING DIAGRAMS Dodge - Grand Caravan

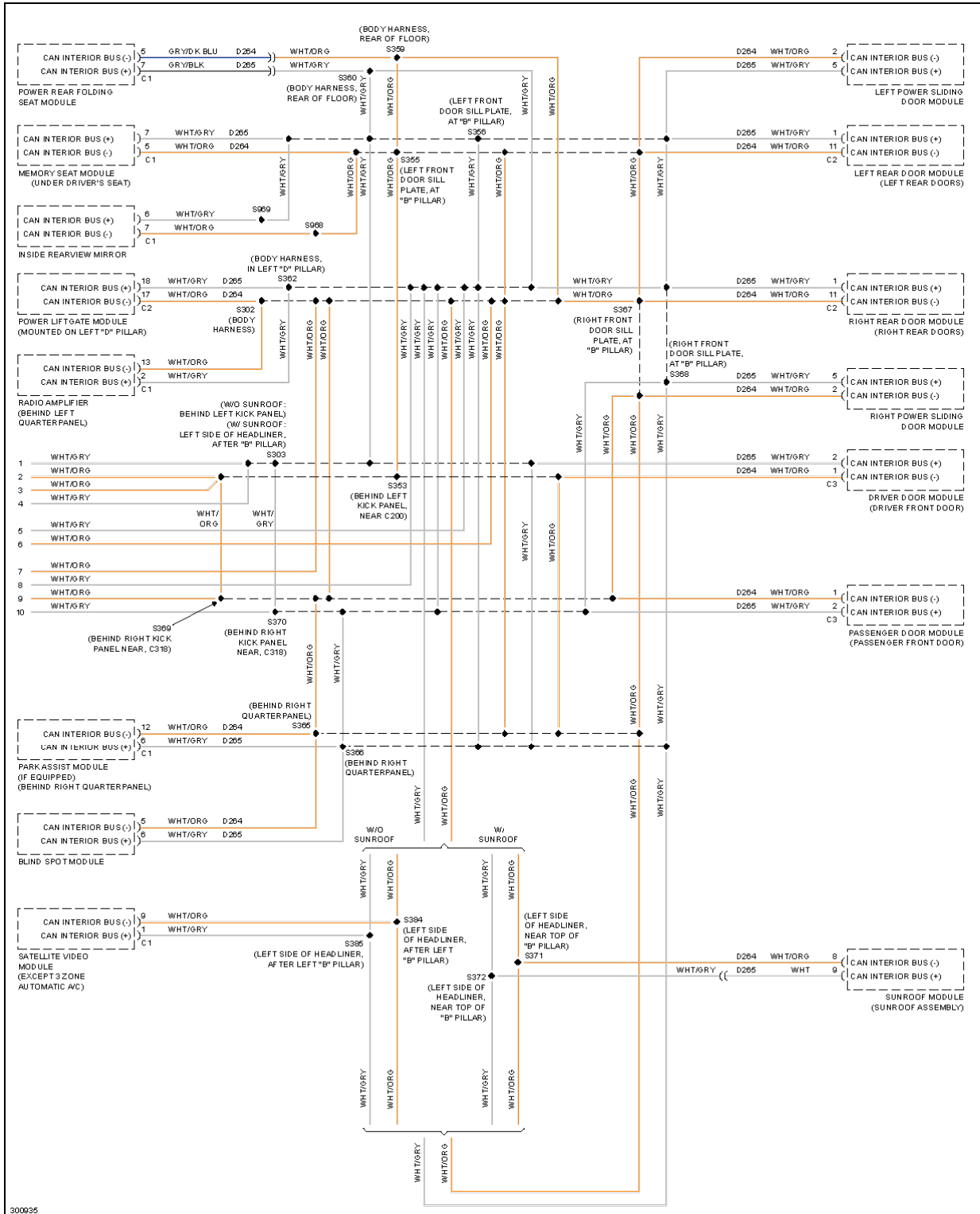


Fig. 12: Computer Data Lines Circuit (2 of 2)

COOLING FAN

2009 Dodge Grand Caravan SE

2009 SYSTEM WIRING DIAGRAMS Dodge - Grand Caravan

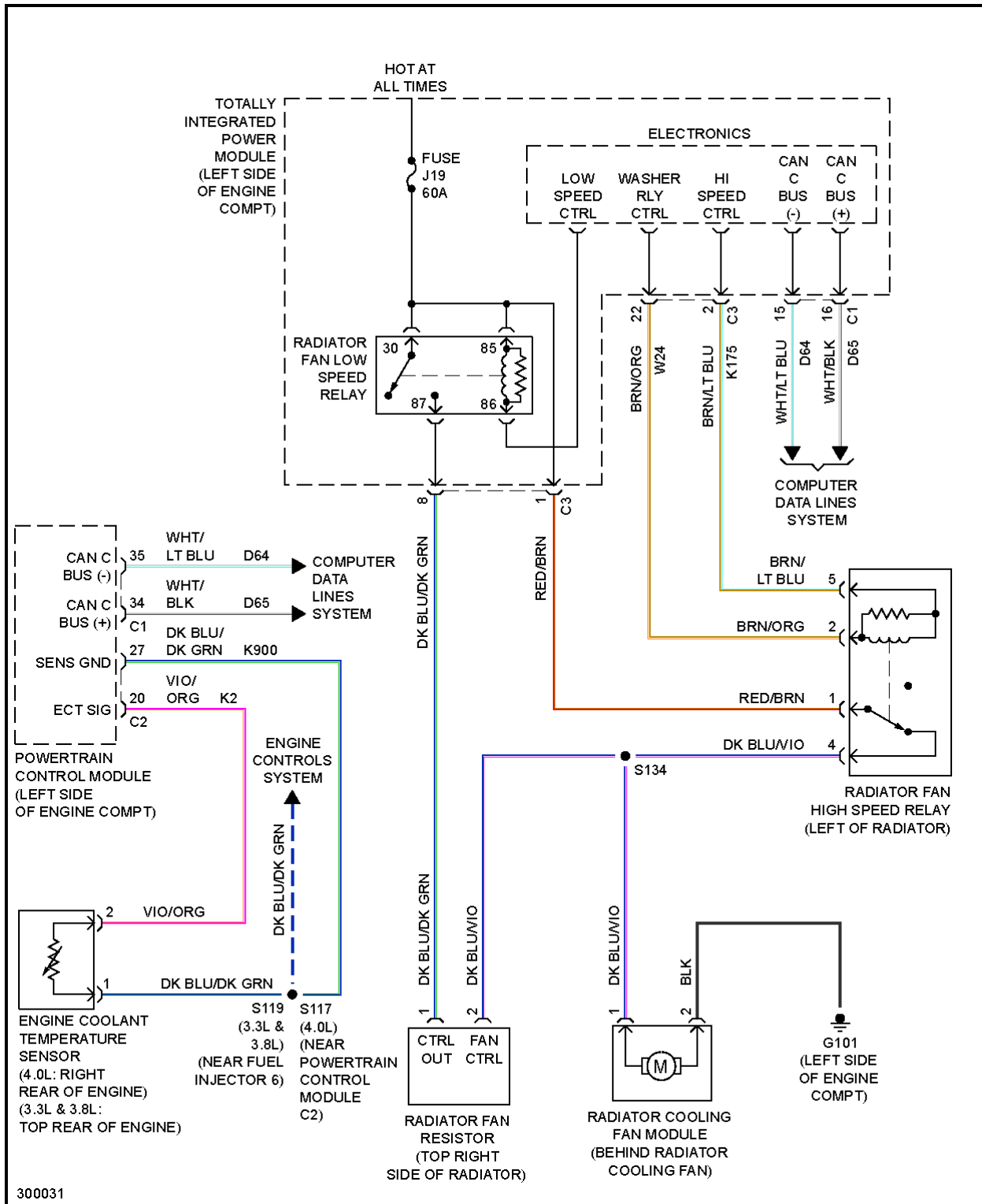


Fig. 13: Cooling Fan Circuit

CRUISE CONTROL

2009 Dodge Grand Caravan SE

2009 SYSTEM WIRING DIAGRAMS Dodge - Grand Caravan

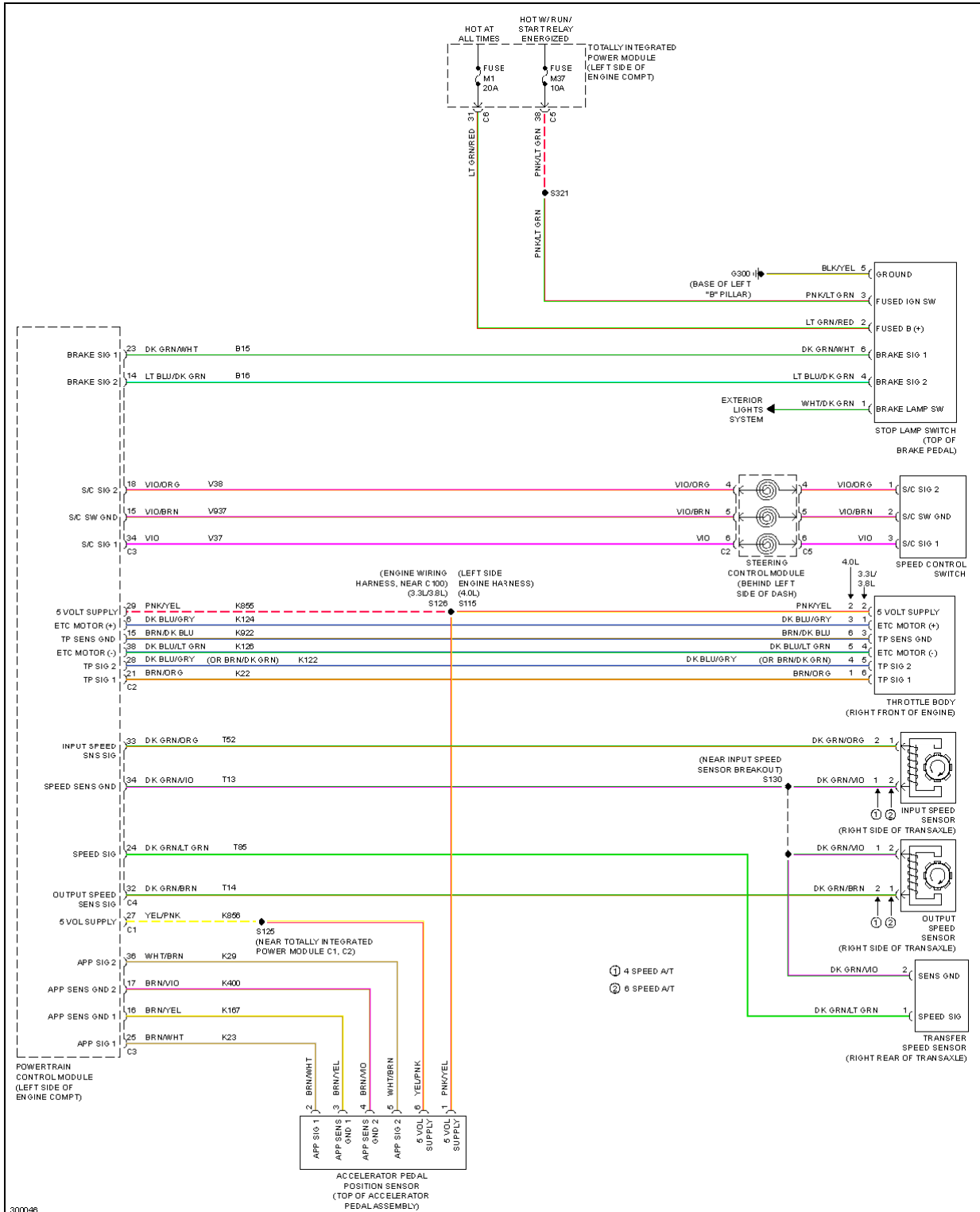


Fig. 14: Cruise Control Circuit

DEFOGGERS

2009 Dodge Grand Caravan SE

2009 SYSTEM WIRING DIAGRAMS Dodge - Grand Caravan

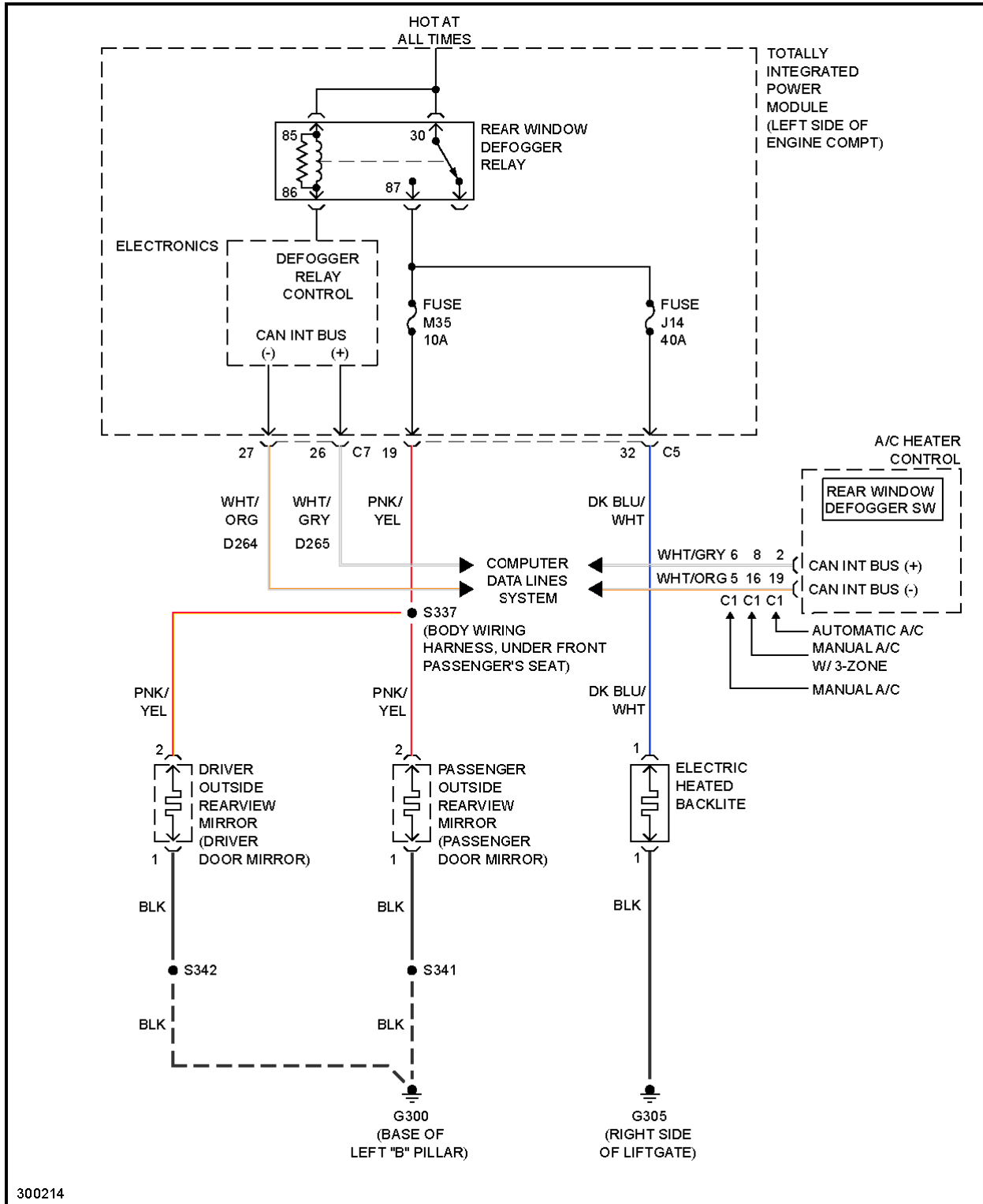


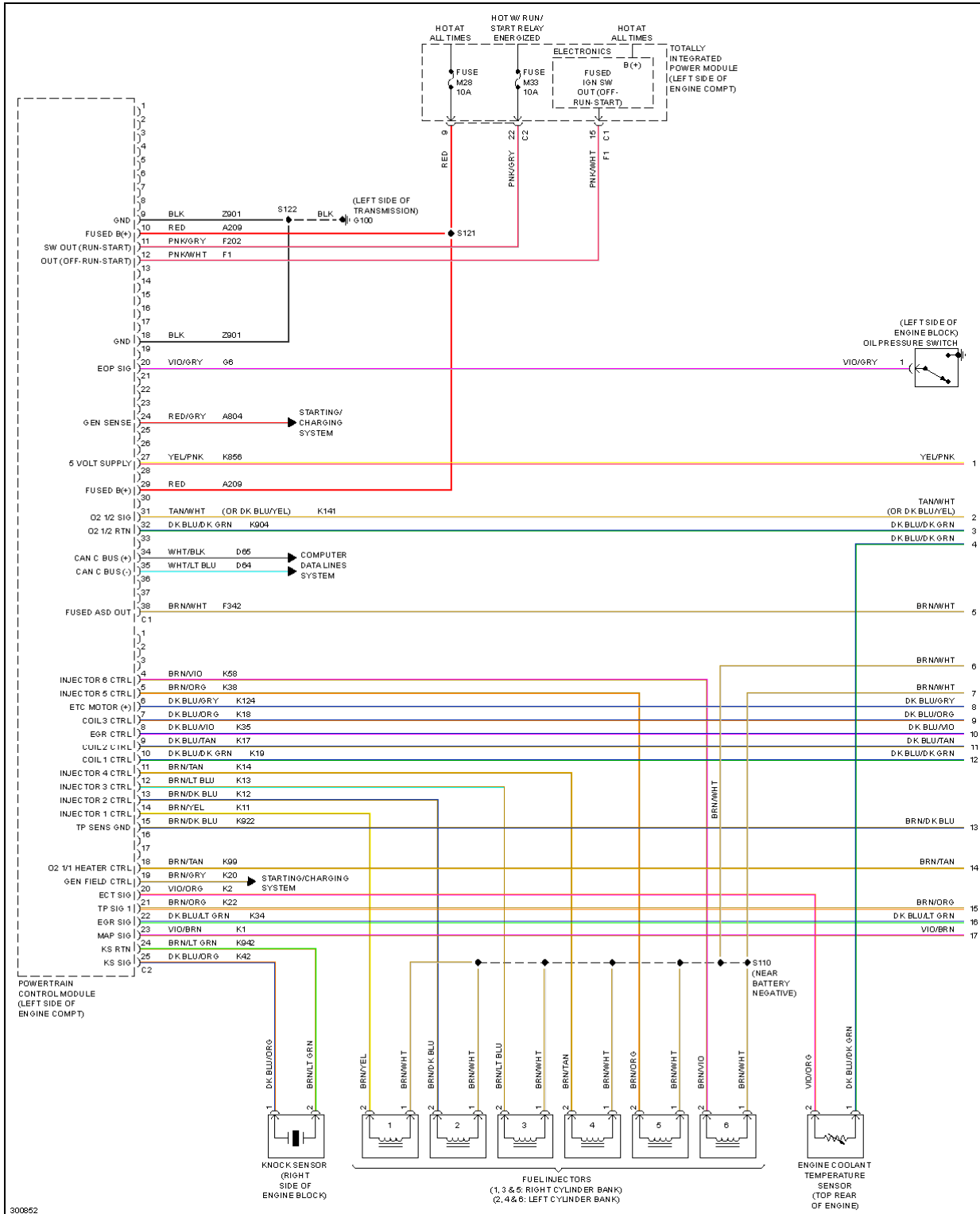
Fig. 15: Defoggers Circuit

ENGINE PERFORMANCE

3.3L FLEX FUEL

2009 Dodge Grand Caravan SE

2009 SYSTEM WIRING DIAGRAMS Dodge - Grand Caravan



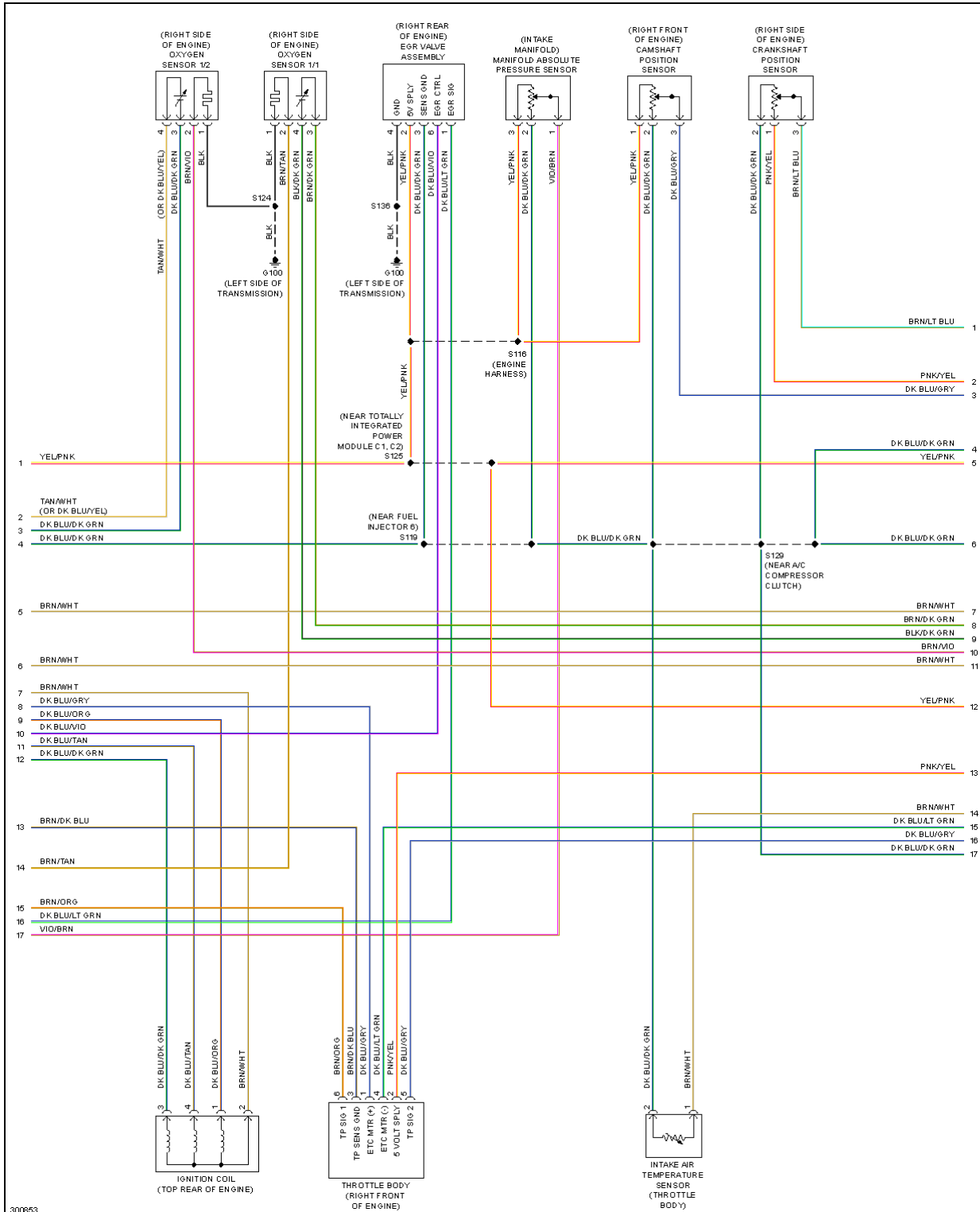
2009 Dodge Grand Caravan SE

2009 SYSTEM WIRING DIAGRAMS Dodge - Grand Caravan

Fig. 16: 3.3L Flex Fuel, Engine Performance Circuit, 4 Speed A/T (1 of 4)

2009 Dodge Grand Caravan SE

2009 SYSTEM WIRING DIAGRAMS Dodge - Grand Caravan



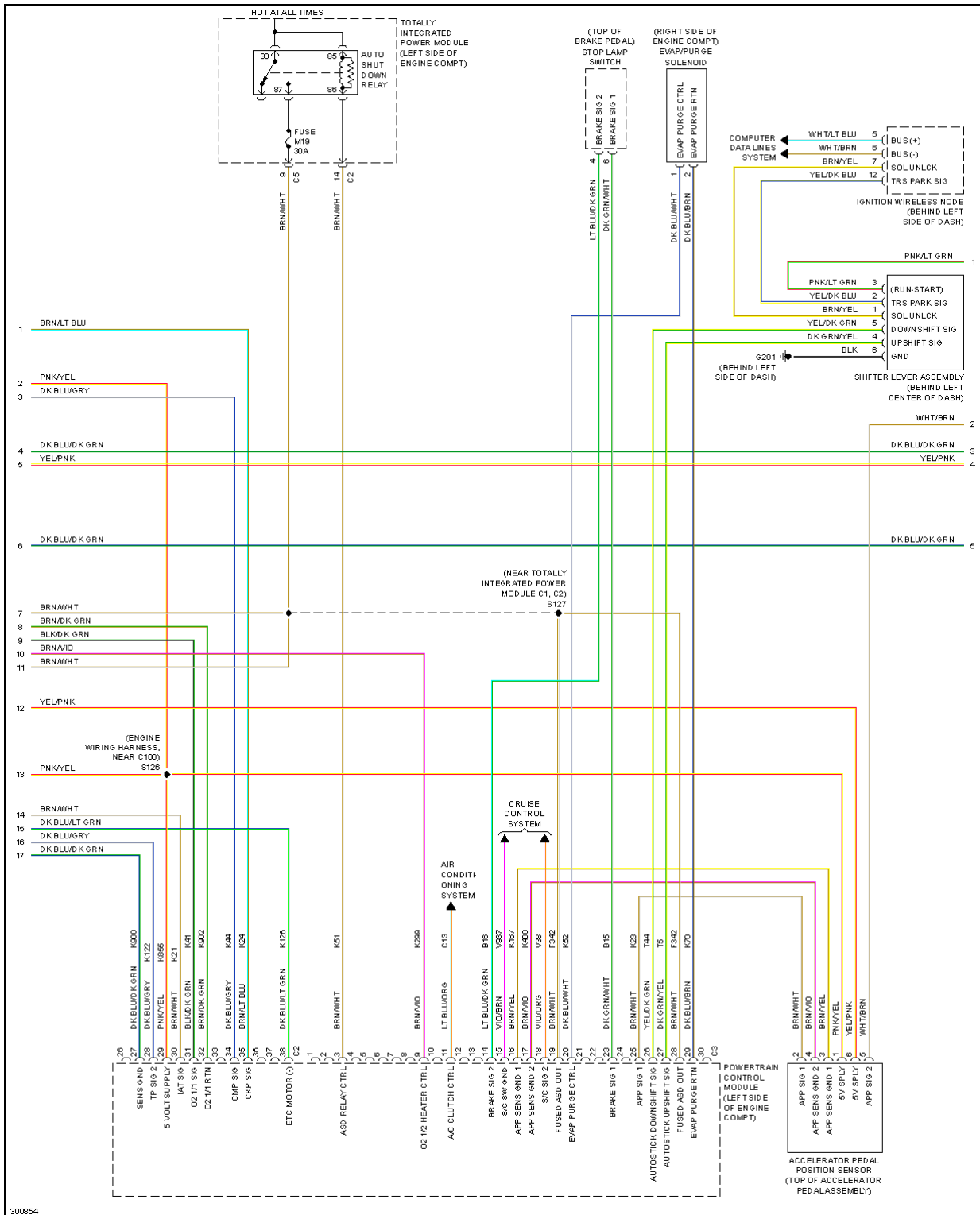
2009 Dodge Grand Caravan SE

2009 SYSTEM WIRING DIAGRAMS Dodge - Grand Caravan

Fig. 17: 3.3L Flex Fuel, Engine Performance Circuit, 4 Speed A/T (2 of 4)

2009 Dodge Grand Caravan SE

2009 SYSTEM WIRING DIAGRAMS Dodge - Grand Caravan



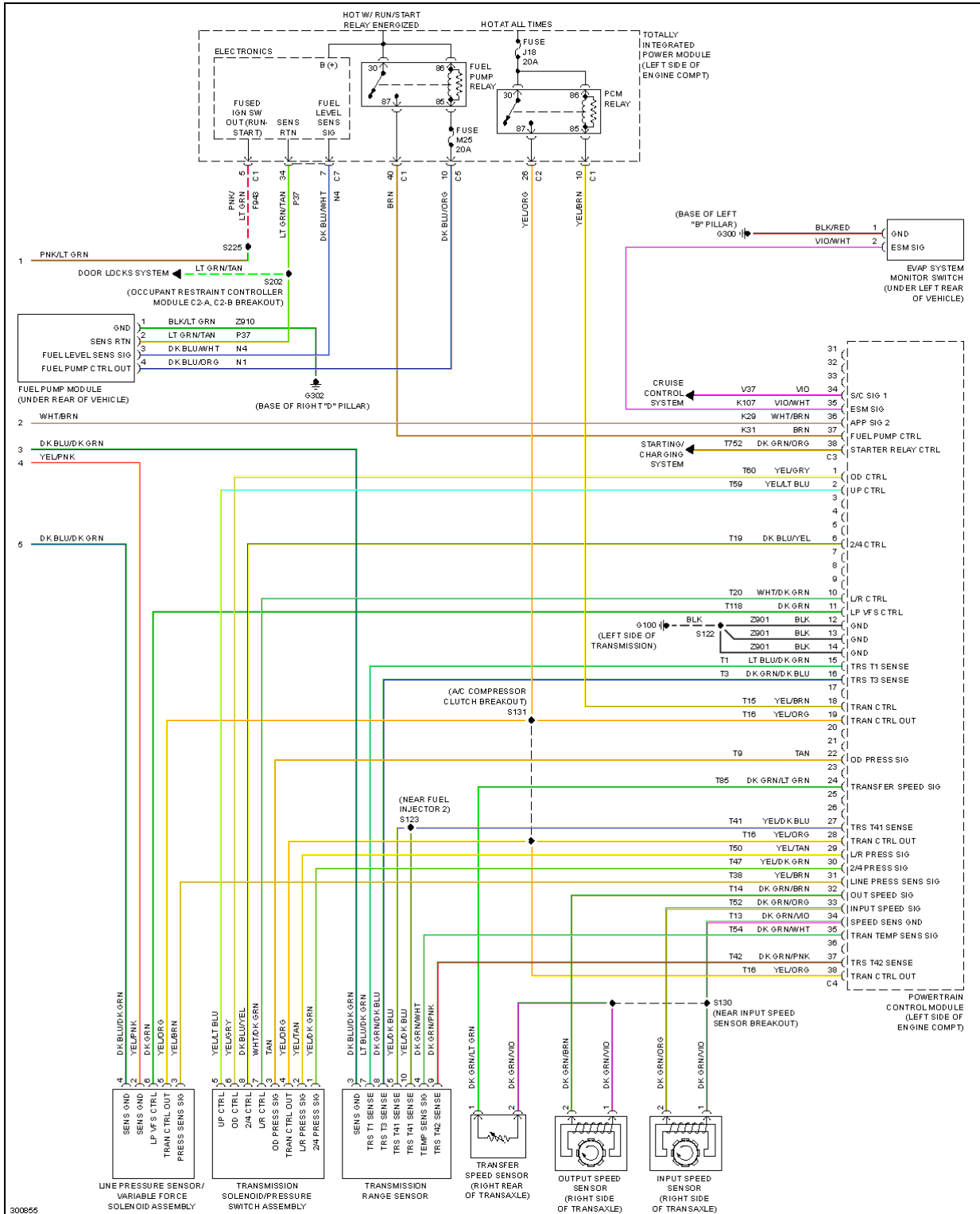
2009 Dodge Grand Caravan SE

2009 SYSTEM WIRING DIAGRAMS Dodge - Grand Caravan

Fig. 18: 3.3L Flex Fuel, Engine Performance Circuit, 4 Speed A/T (3 of 4)

2009 Dodge Grand Caravan SE

2009 SYSTEM WIRING DIAGRAMS Dodge - Grand Caravan



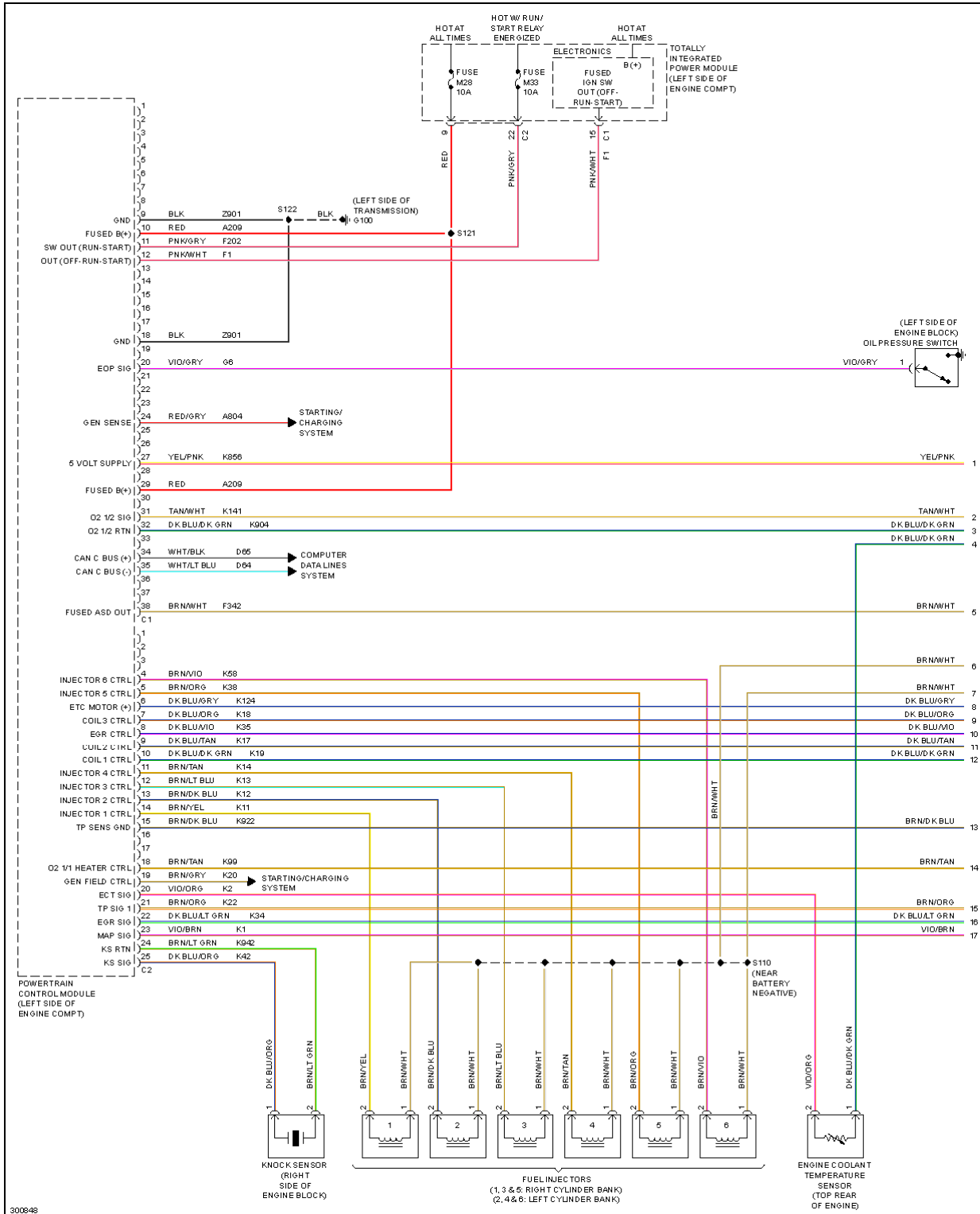
2009 Dodge Grand Caravan SE

2009 SYSTEM WIRING DIAGRAMS Dodge - Grand Caravan

Fig. 19: 3.3L Flex Fuel, Engine Performance Circuit, 4 Speed A/T (4 of 4)

2009 Dodge Grand Caravan SE

2009 SYSTEM WIRING DIAGRAMS Dodge - Grand Caravan



2009 Dodge Grand Caravan SE

2009 SYSTEM WIRING DIAGRAMS Dodge - Grand Caravan

Fig. 20: 3.3L Flex Fuel, Engine Performance Circuit, 6 Speed A/T (1 of 4)

2009 Dodge Grand Caravan SE

2009 SYSTEM WIRING DIAGRAMS Dodge - Grand Caravan

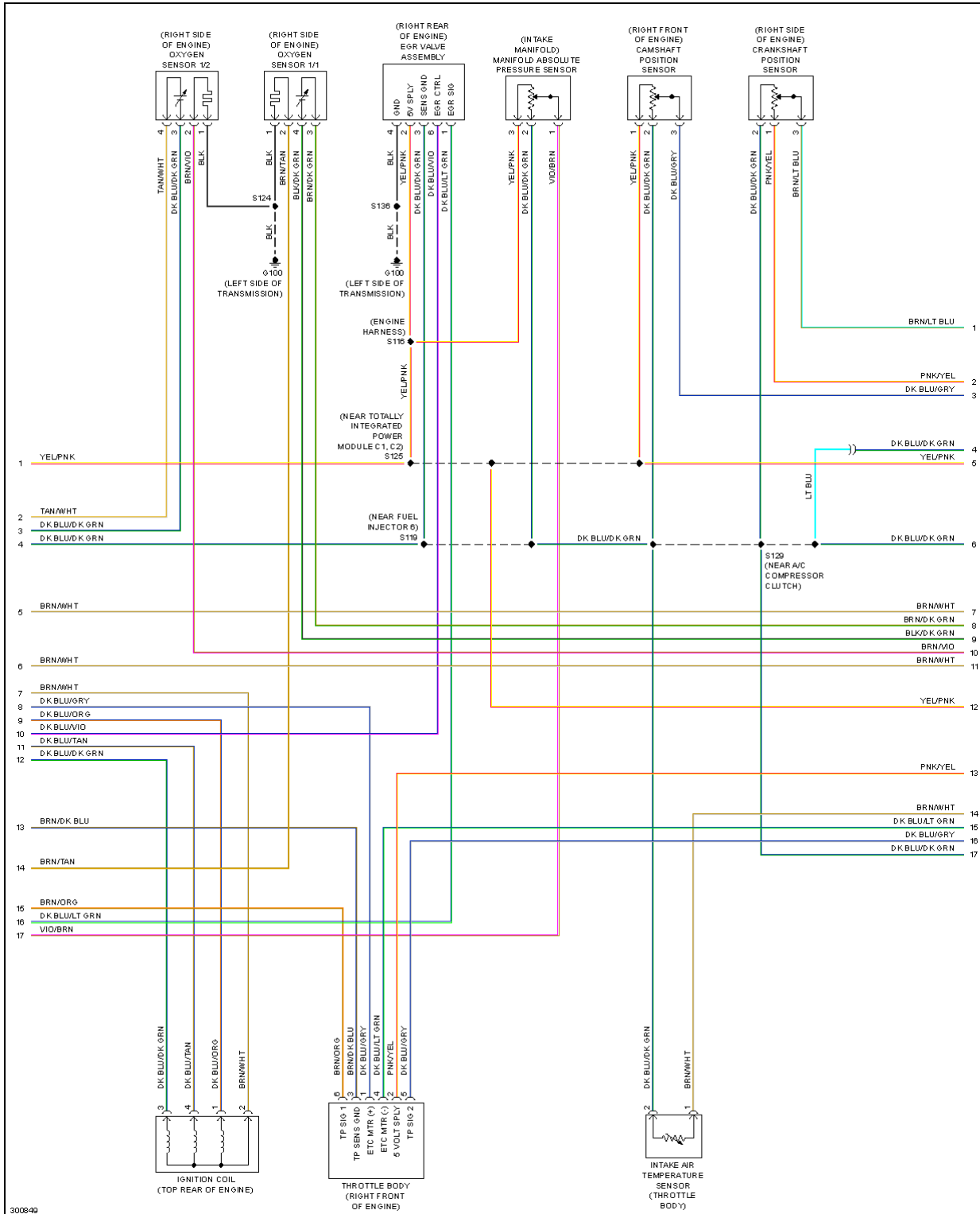


Fig. 21: 3.3L Flex Fuel, Engine Performance Circuit, 6 Speed A/T (2 of 4)

2009 Dodge Grand Caravan SE

2009 SYSTEM WIRING DIAGRAMS Dodge - Grand Caravan

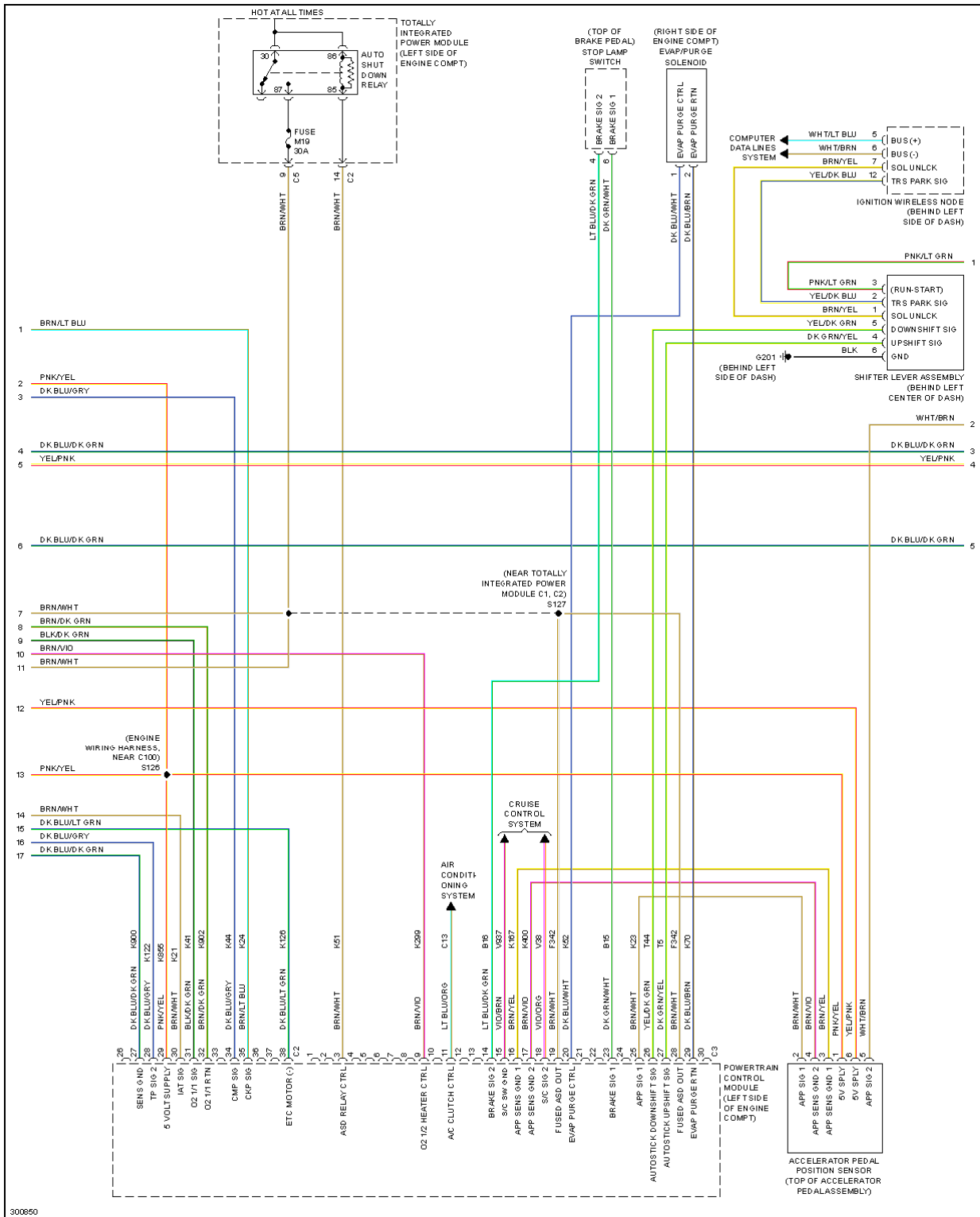


Fig. 22: 3.3L Flex Fuel, Engine Performance Circuit, 6 Speed A/T (3 of 4)

2009 Dodge Grand Caravan SE

2009 SYSTEM WIRING DIAGRAMS Dodge - Grand Caravan

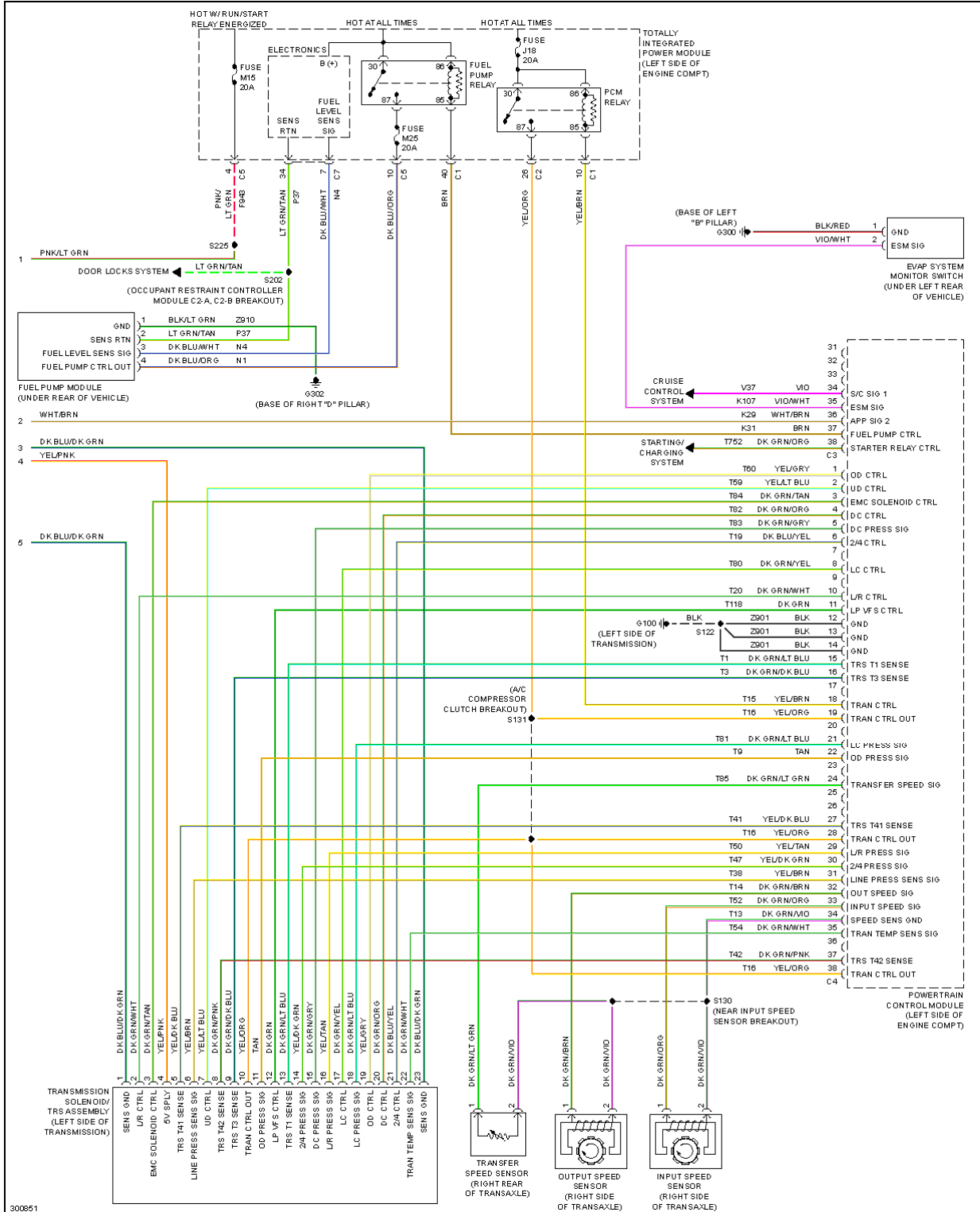
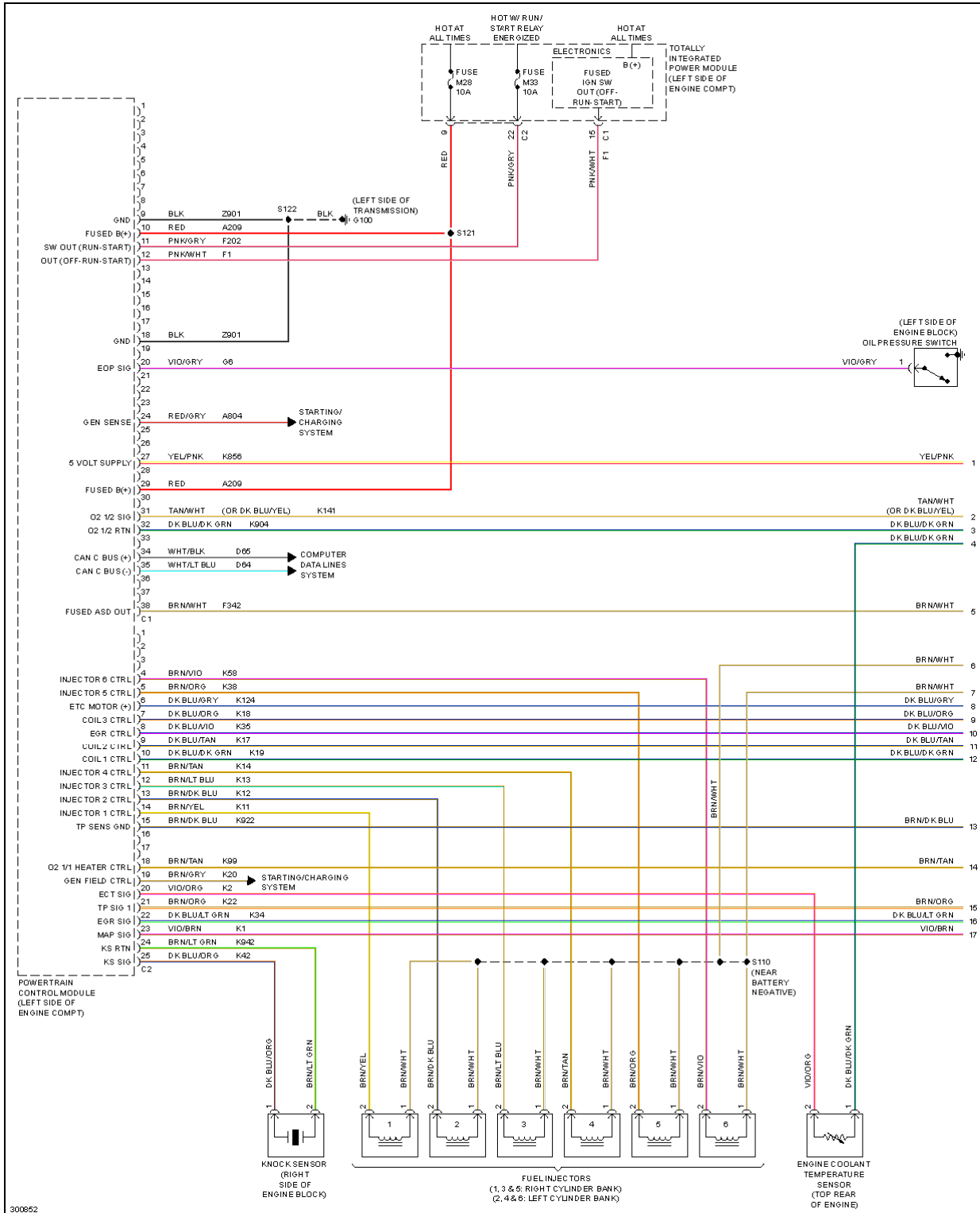


Fig. 23: 3.3L Flex Fuel, Engine Performance Circuit, 6 Speed A/T (4 of 4)

3.8L

2009 Dodge Grand Caravan SE

2009 SYSTEM WIRING DIAGRAMS Dodge - Grand Caravan



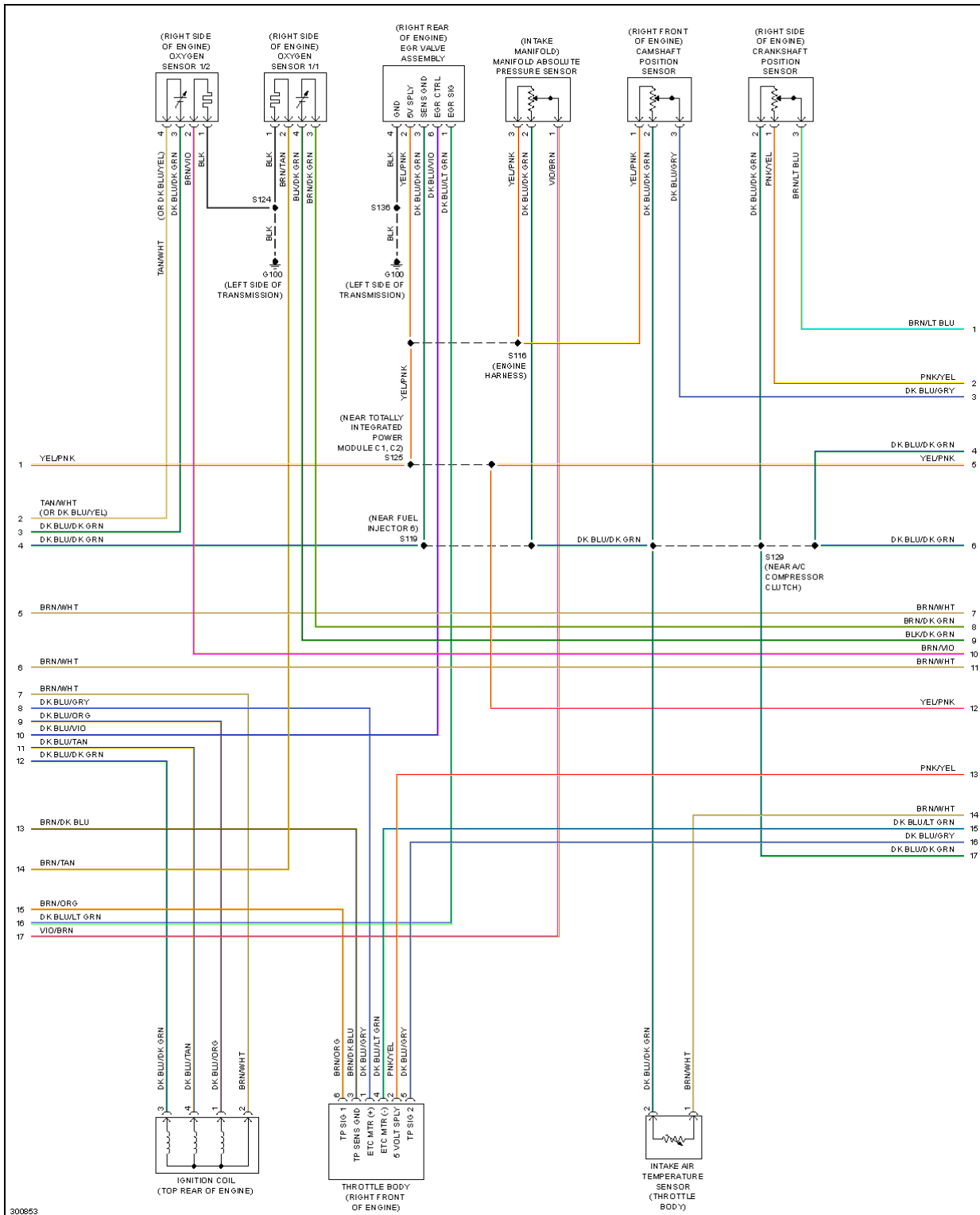
2009 Dodge Grand Caravan SE

2009 SYSTEM WIRING DIAGRAMS Dodge - Grand Caravan

Fig. 24: 3.8L, Engine Performance Circuit, 4 Speed A/T (1 of 4)

2009 Dodge Grand Caravan SE

2009 SYSTEM WIRING DIAGRAMS Dodge - Grand Caravan



2009 Dodge Grand Caravan SE

2009 SYSTEM WIRING DIAGRAMS Dodge - Grand Caravan

Fig. 25: 3.8L, Engine Performance Circuit, 4 Speed A/T (2 of 4)

2009 Dodge Grand Caravan SE

2009 SYSTEM WIRING DIAGRAMS Dodge - Grand Caravan

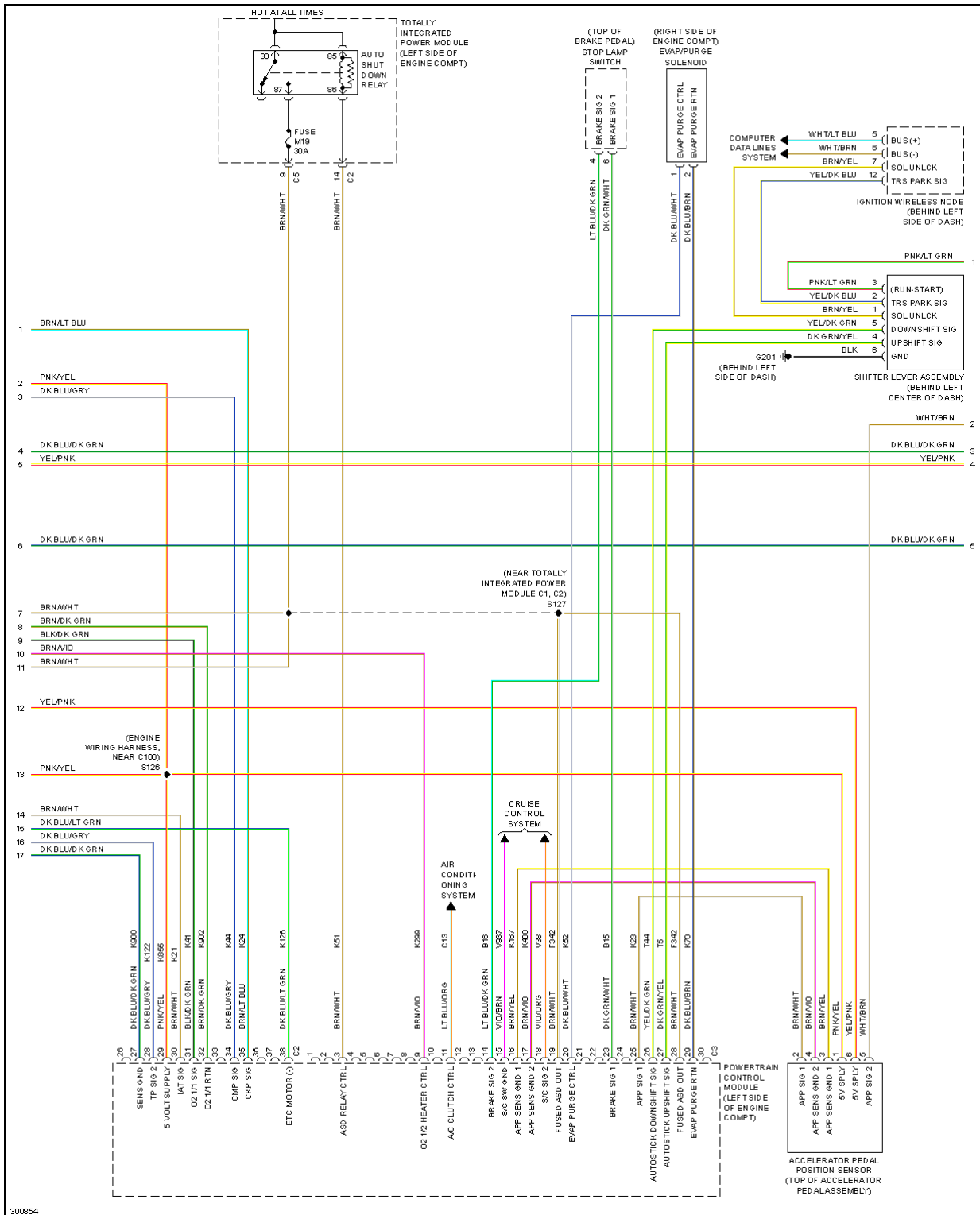
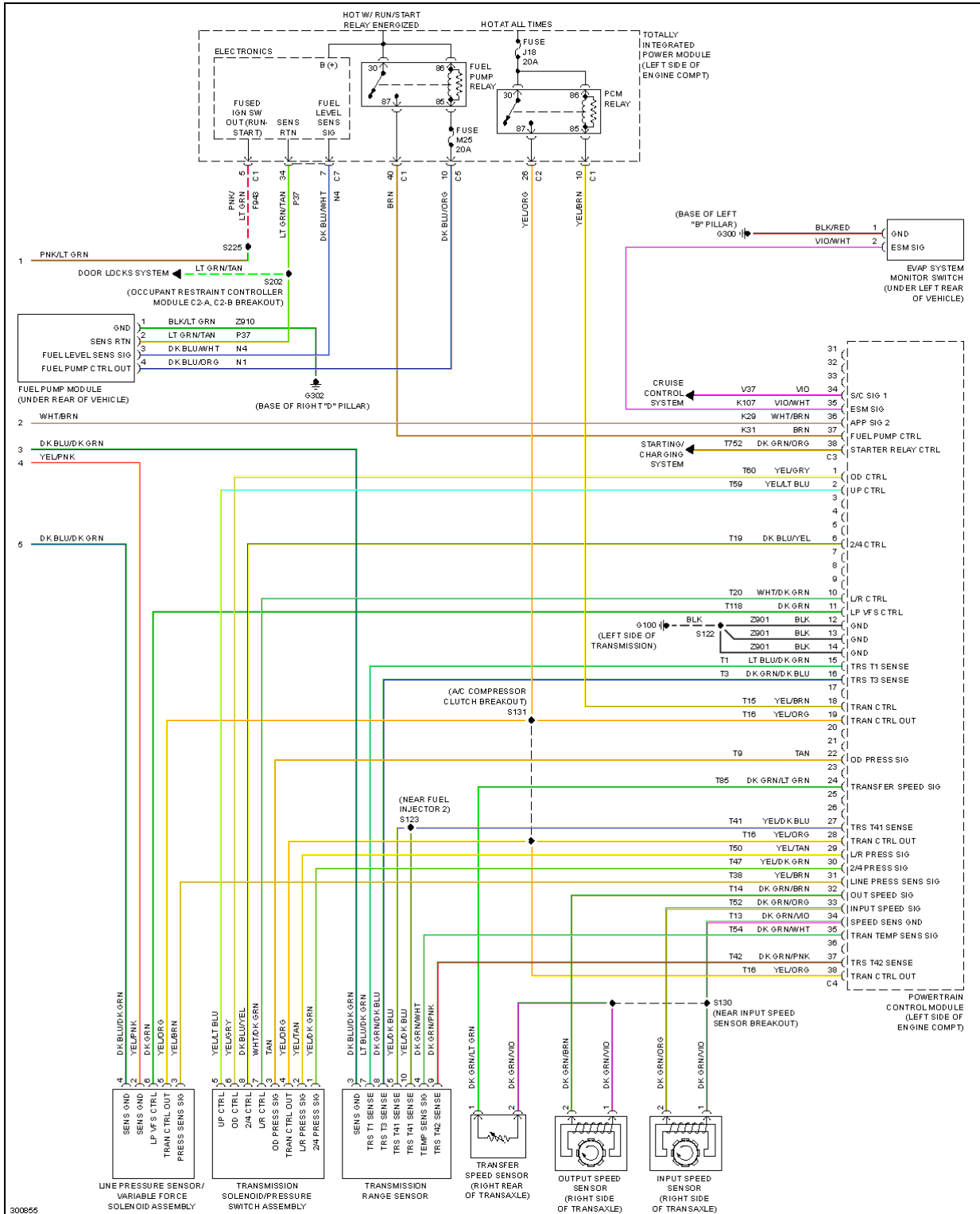


Fig. 26: 3.8L, Engine Performance Circuit, 4 Speed A/T (3 of 4)

2009 Dodge Grand Caravan SE

2009 SYSTEM WIRING DIAGRAMS Dodge - Grand Caravan



2009 Dodge Grand Caravan SE

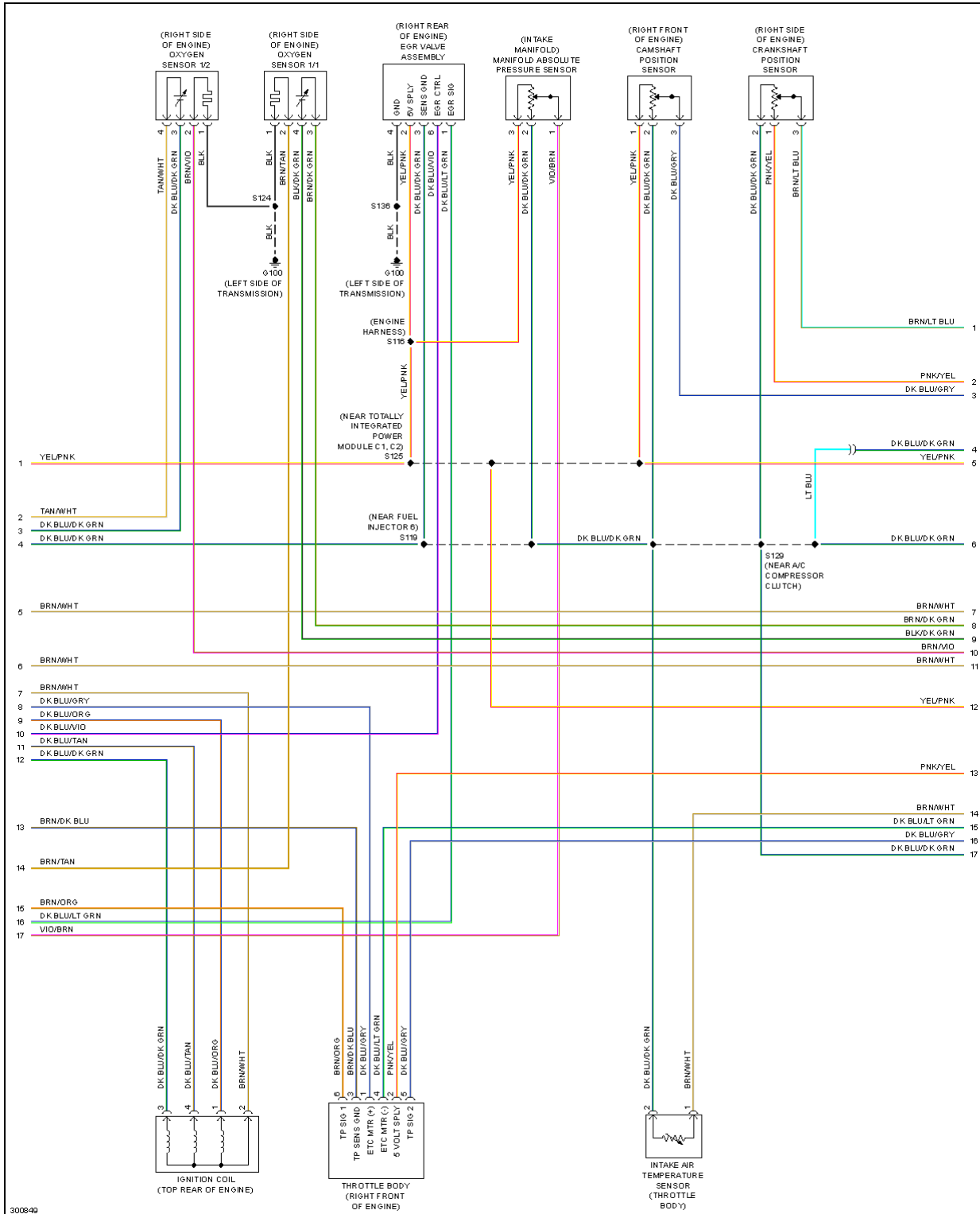
2009 SYSTEM WIRING DIAGRAMS Dodge - Grand Caravan

Fig. 27: 3.8L, Engine Performance Circuit, 4 Speed A/T (4 of 4)

Fig. 28: 3.8L, Engine Performance Circuit, 6 Speed A/T (1 of 4)

2009 Dodge Grand Caravan SE

2009 SYSTEM WIRING DIAGRAMS Dodge - Grand Caravan



2009 Dodge Grand Caravan SE

2009 SYSTEM WIRING DIAGRAMS Dodge - Grand Caravan

Fig. 29: 3.8L, Engine Performance Circuit, 6 Speed A/T (2 of 4)

2009 Dodge Grand Caravan SE

2009 SYSTEM WIRING DIAGRAMS Dodge - Grand Caravan

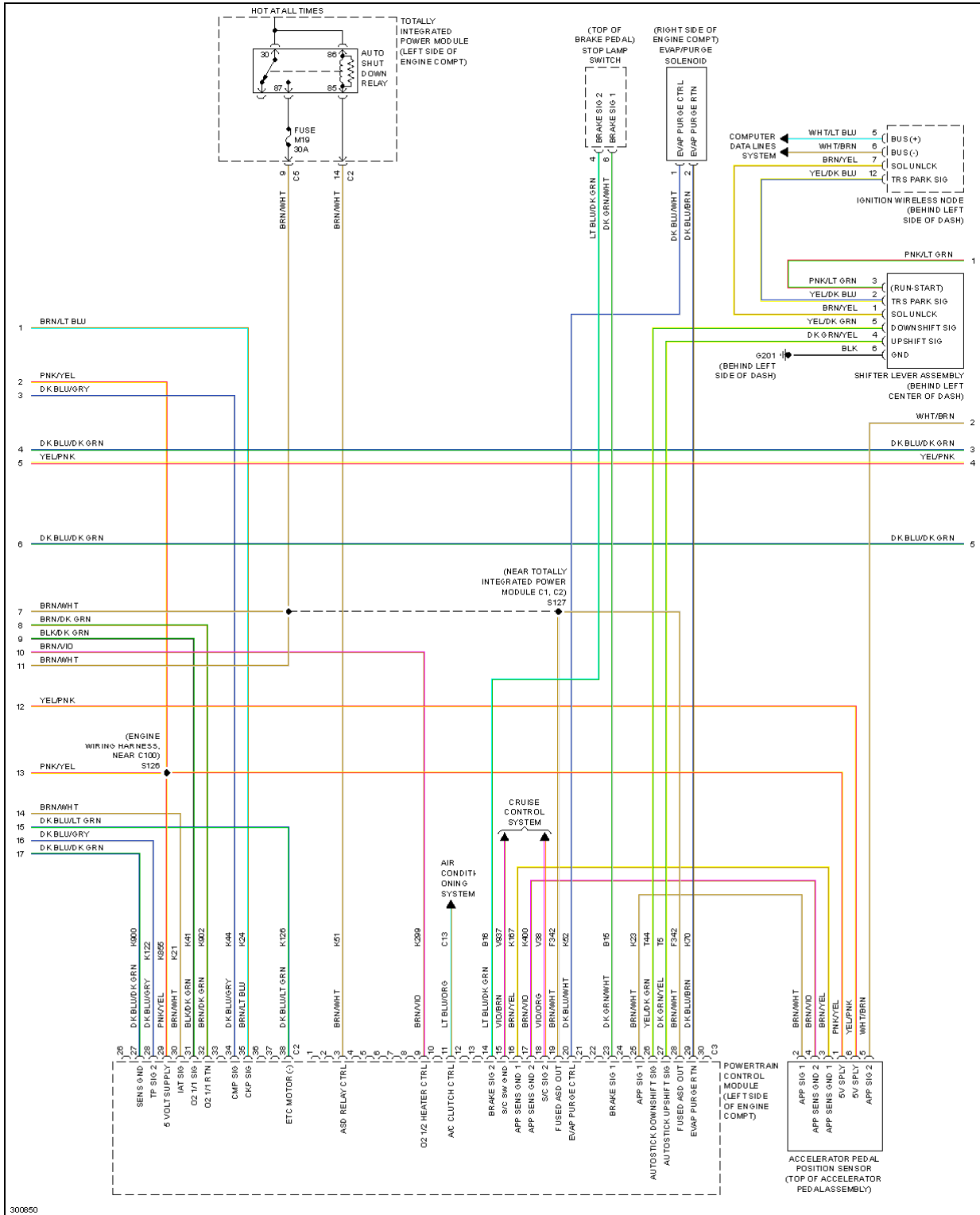


Fig. 30: 3.8L, Engine Performance Circuit, 6 Speed A/T (3 of 4)

2009 Dodge Grand Caravan SE

2009 SYSTEM WIRING DIAGRAMS Dodge - Grand Caravan

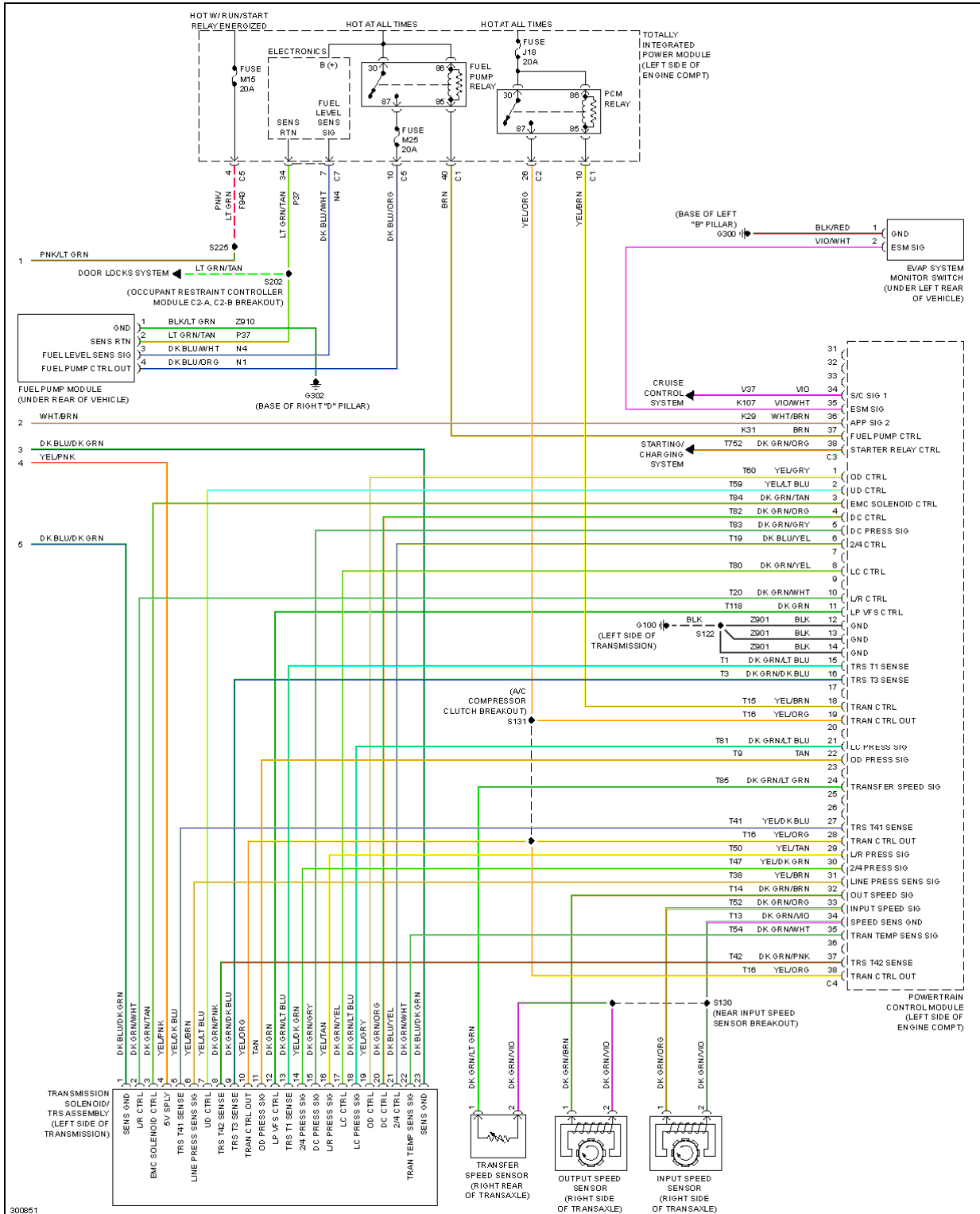
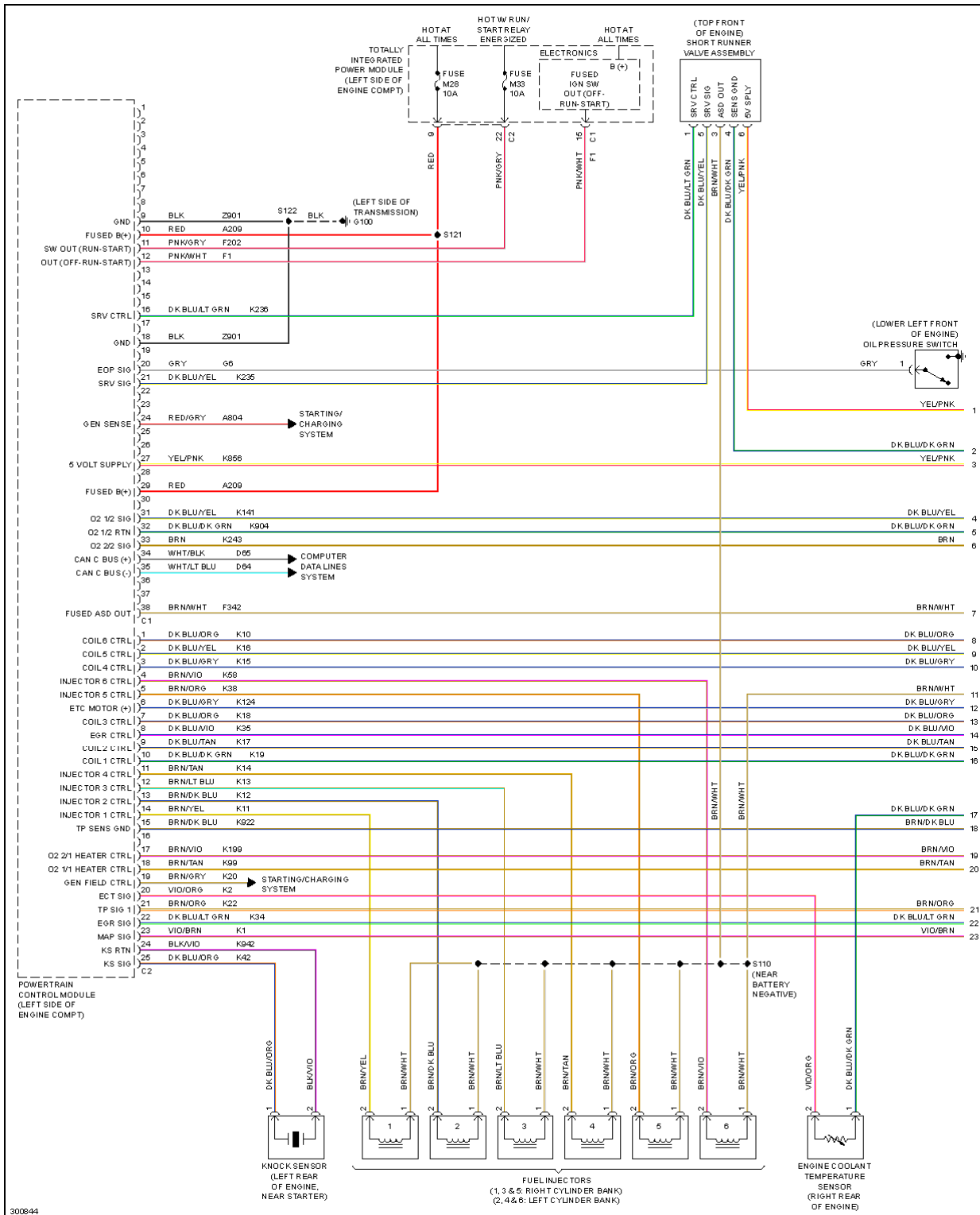


Fig. 31: 3.8L, Engine Performance Circuit, 6 Speed A/T (4 of 4)

4.0L

2009 Dodge Grand Caravan SE

2009 SYSTEM WIRING DIAGRAMS Dodge - Grand Caravan



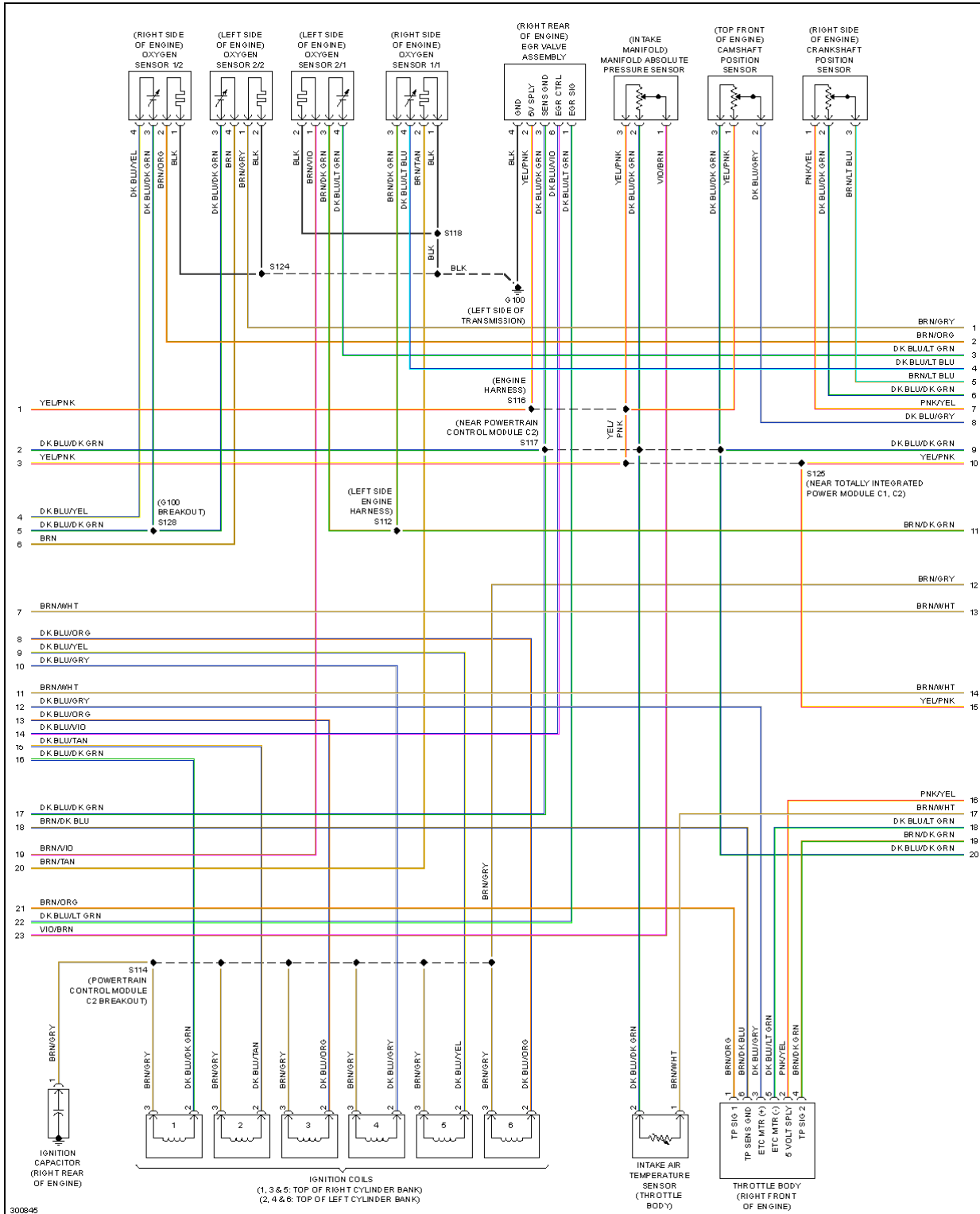
2009 Dodge Grand Caravan SE

2009 SYSTEM WIRING DIAGRAMS Dodge - Grand Caravan

Fig. 32: 4.0L, Engine Performance Circuit (1 of 4)

2009 Dodge Grand Caravan SE

2009 SYSTEM WIRING DIAGRAMS Dodge - Grand Caravan



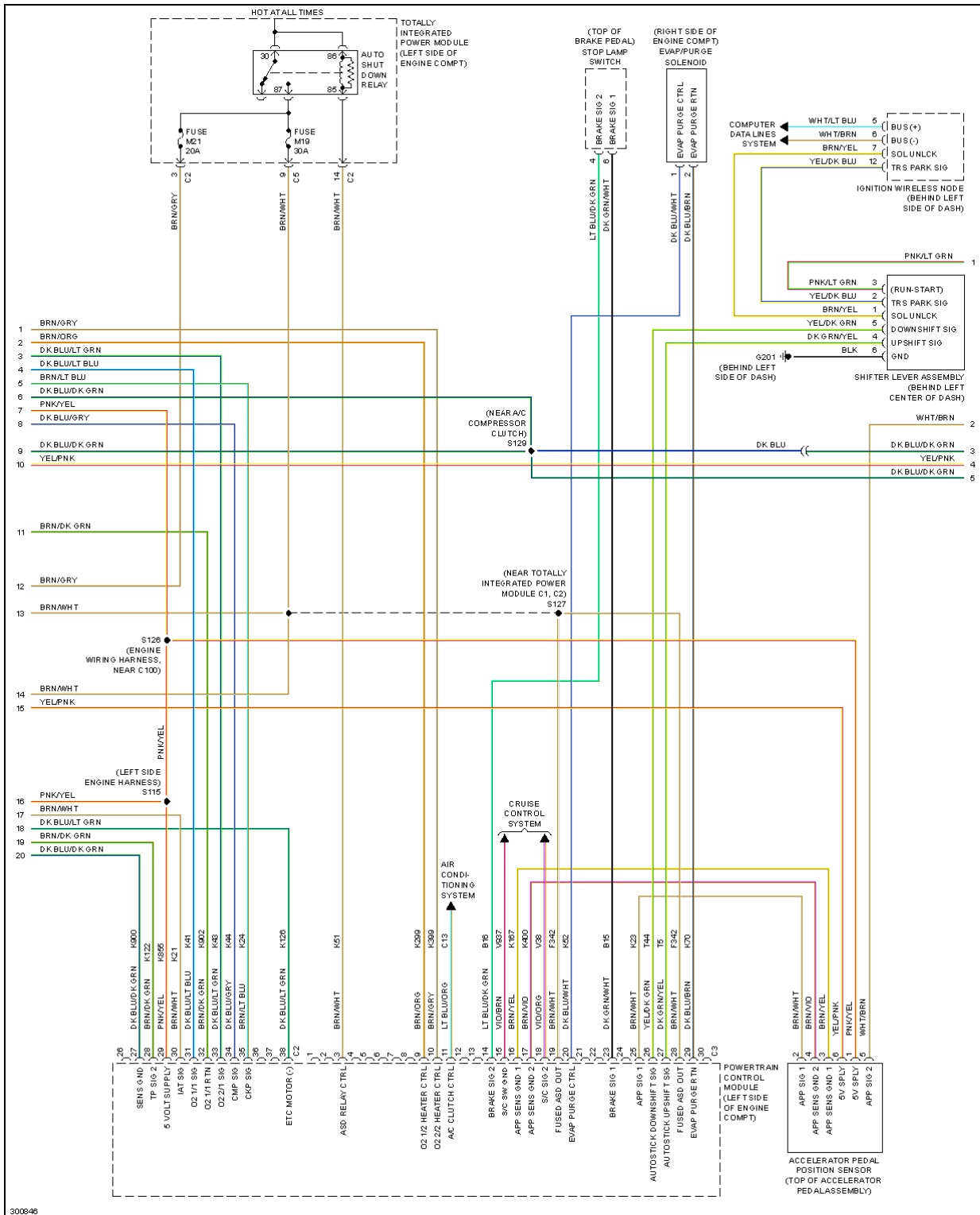
2009 Dodge Grand Caravan SE

2009 SYSTEM WIRING DIAGRAMS Dodge - Grand Caravan

Fig. 33: 4.0L, Engine Performance Circuit (2 of 4)

2009 Dodge Grand Caravan SE

2009 SYSTEM WIRING DIAGRAMS Dodge - Grand Caravan



2009 Dodge Grand Caravan SE

2009 SYSTEM WIRING DIAGRAMS Dodge - Grand Caravan

Fig. 34: 4.0L, Engine Performance Circuit (3 of 4)

2009 Dodge Grand Caravan SE

2009 SYSTEM WIRING DIAGRAMS Dodge - Grand Caravan

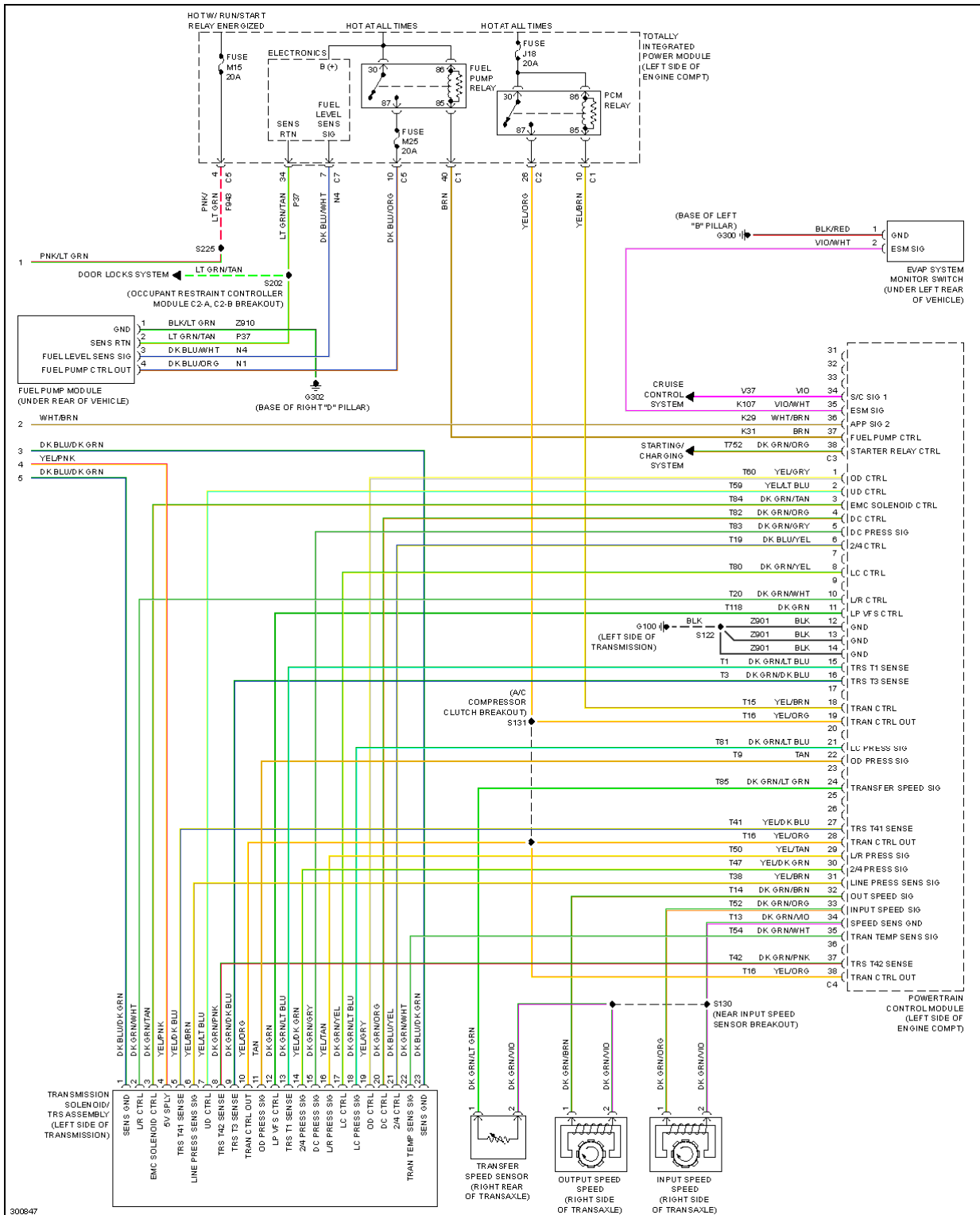
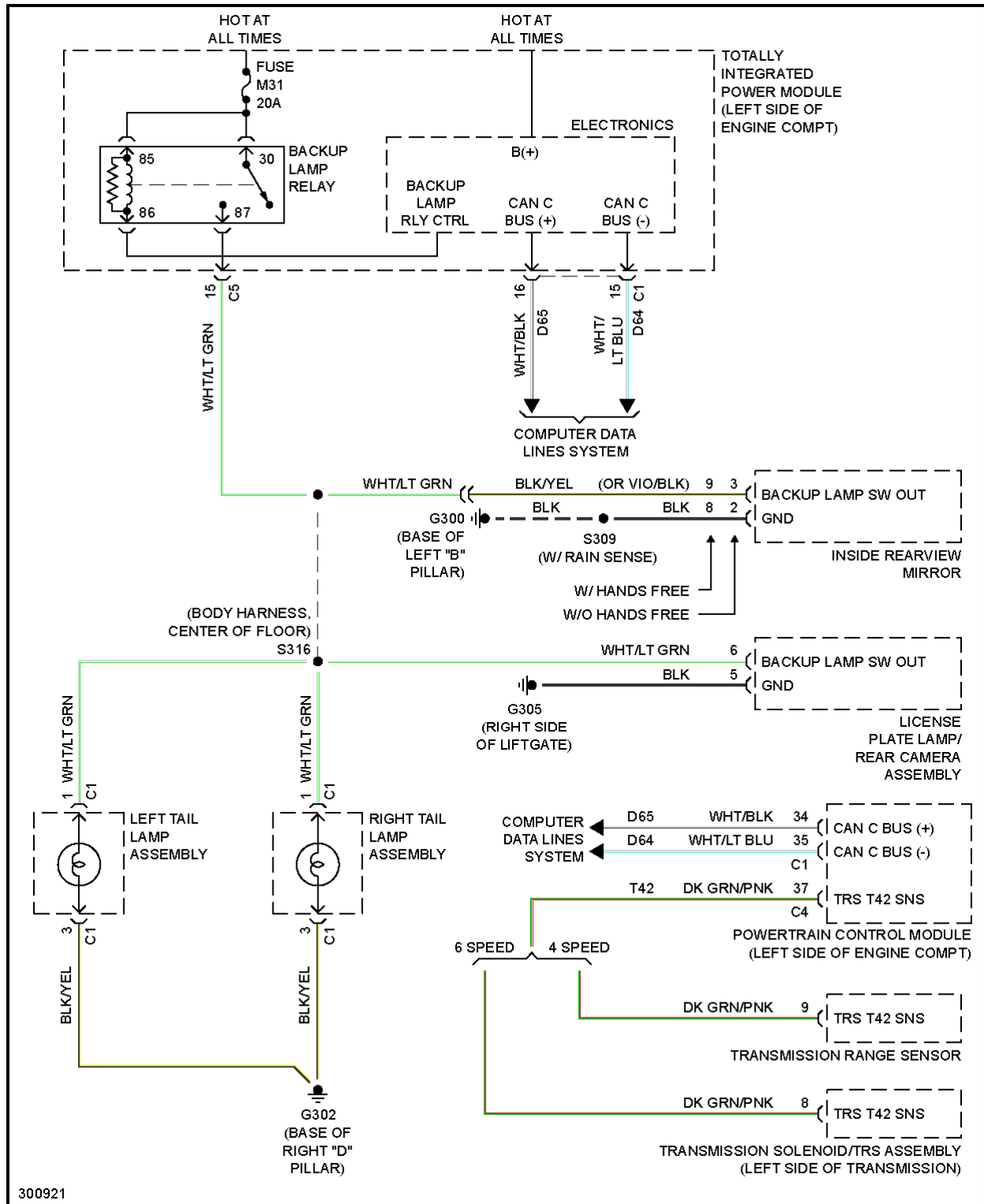


Fig. 35: 4.0L, Engine Performance Circuit (4 of 4)

EXTERIOR LIGHTS

2009 Dodge Grand Caravan SE

2009 SYSTEM WIRING DIAGRAMS Dodge - Grand Caravan



2009 Dodge Grand Caravan SE

2009 SYSTEM WIRING DIAGRAMS Dodge - Grand Caravan

Fig. 36: Backup Lamps Circuit

2009 Dodge Grand Caravan SE

2009 SYSTEM WIRING DIAGRAMS Dodge - Grand Caravan

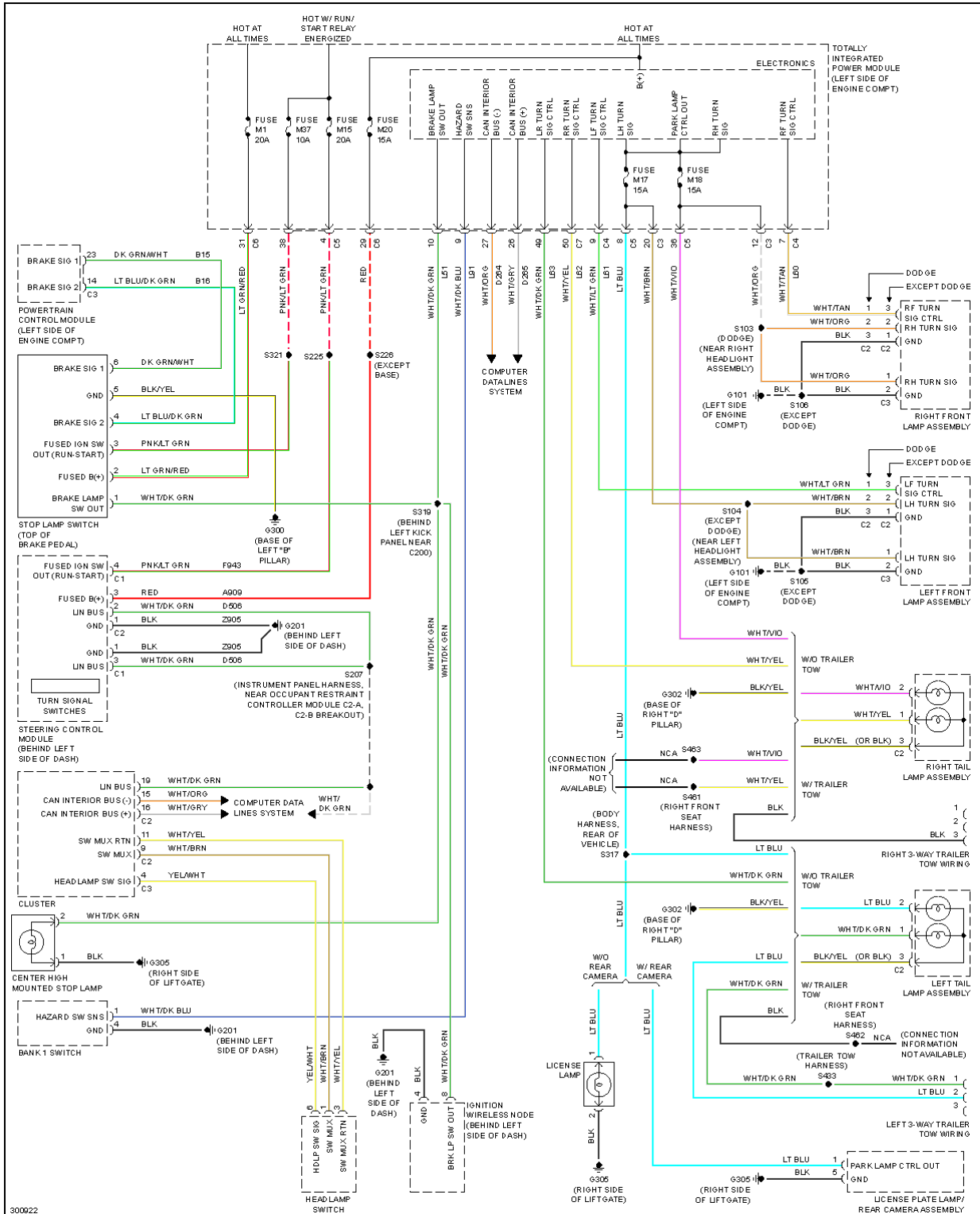
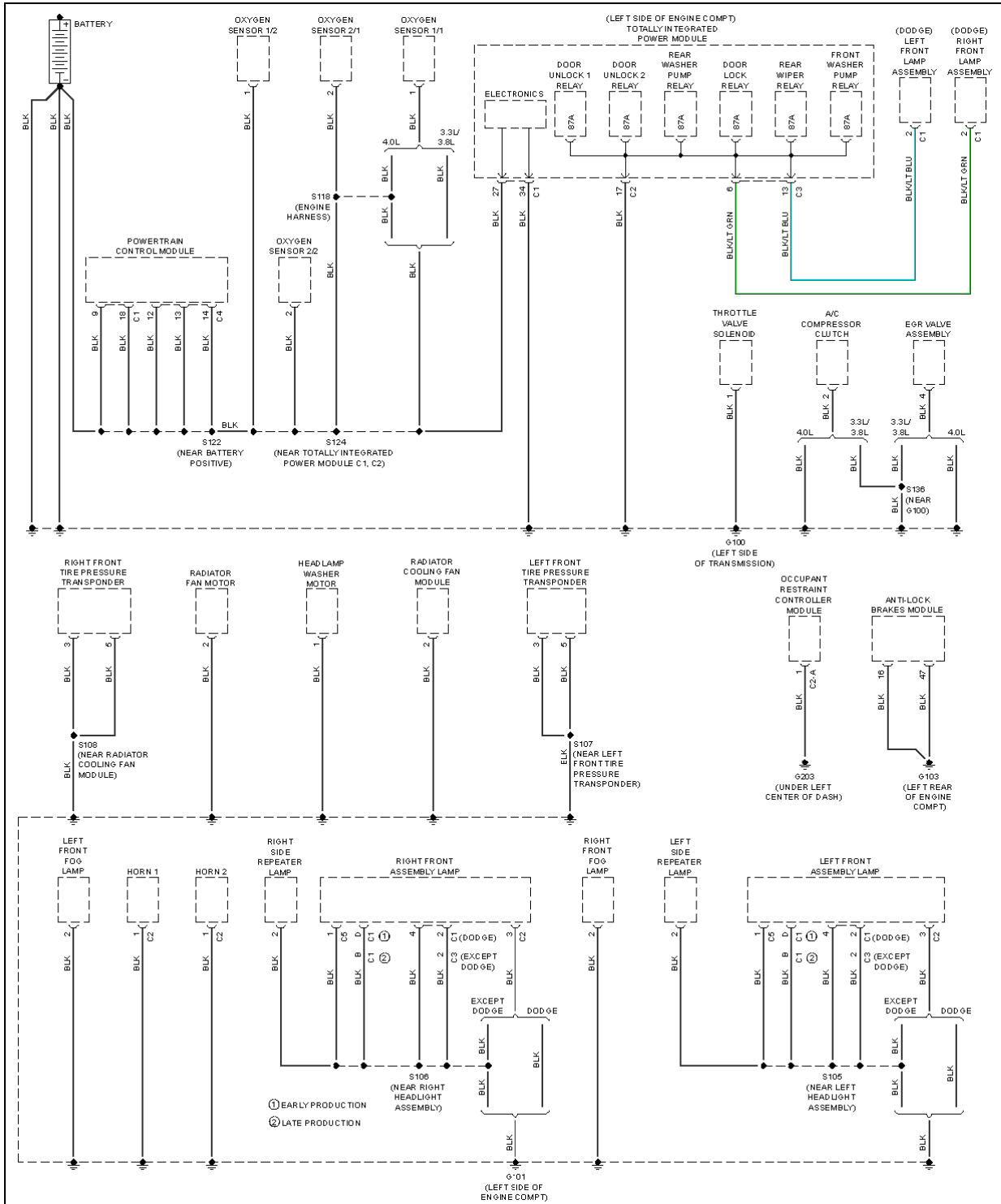


Fig. 37: Exterior Lamps Circuit

GROUND DISTRIBUTION

2009 Dodge Grand Caravan SE

2009 SYSTEM WIRING DIAGRAMS Dodge - Grand Caravan



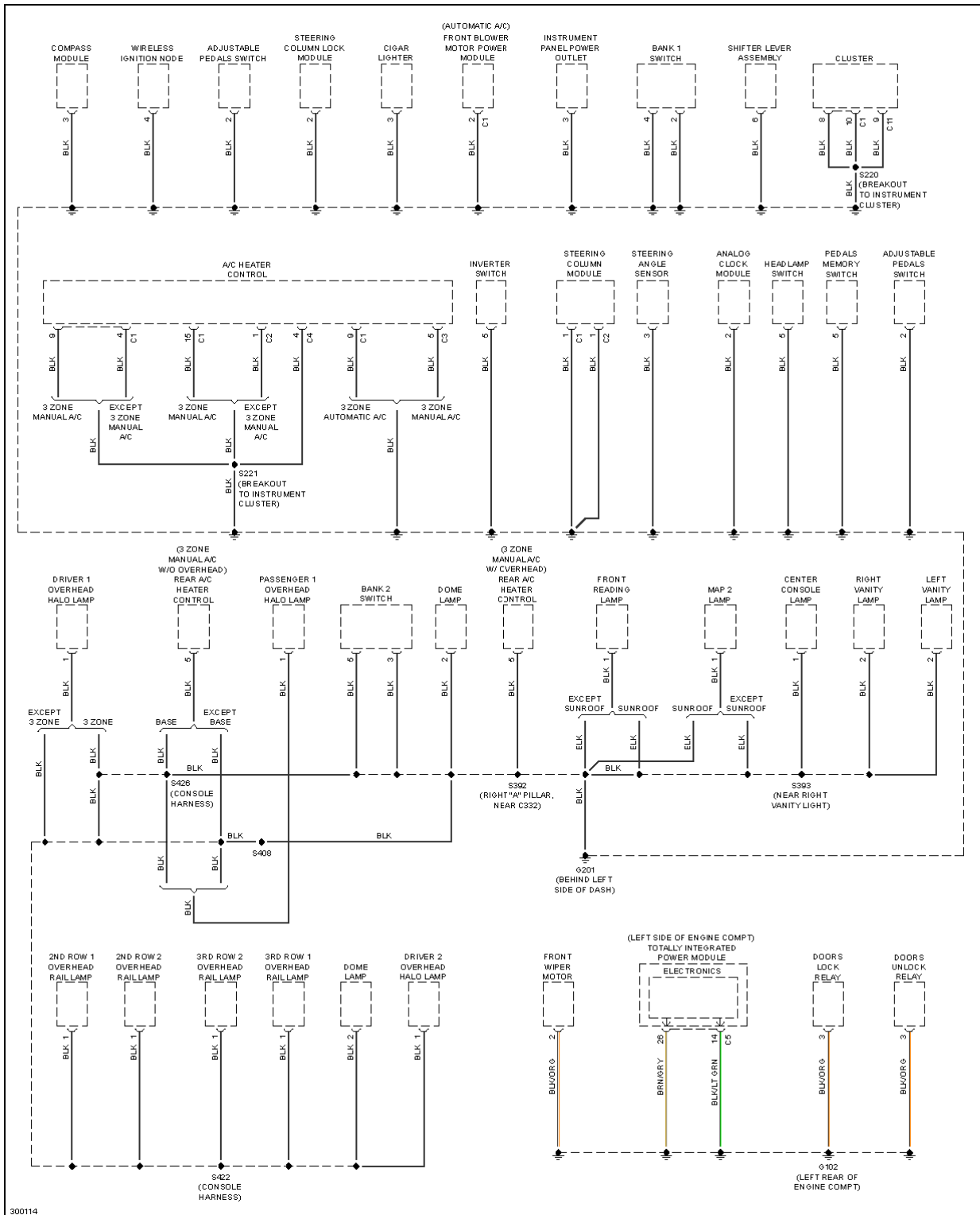
2009 Dodge Grand Caravan SE

2009 SYSTEM WIRING DIAGRAMS Dodge - Grand Caravan

Fig. 38: Ground Distribution Circuit (1 of 4)

2009 Dodge Grand Caravan SE

2009 SYSTEM WIRING DIAGRAMS Dodge - Grand Caravan



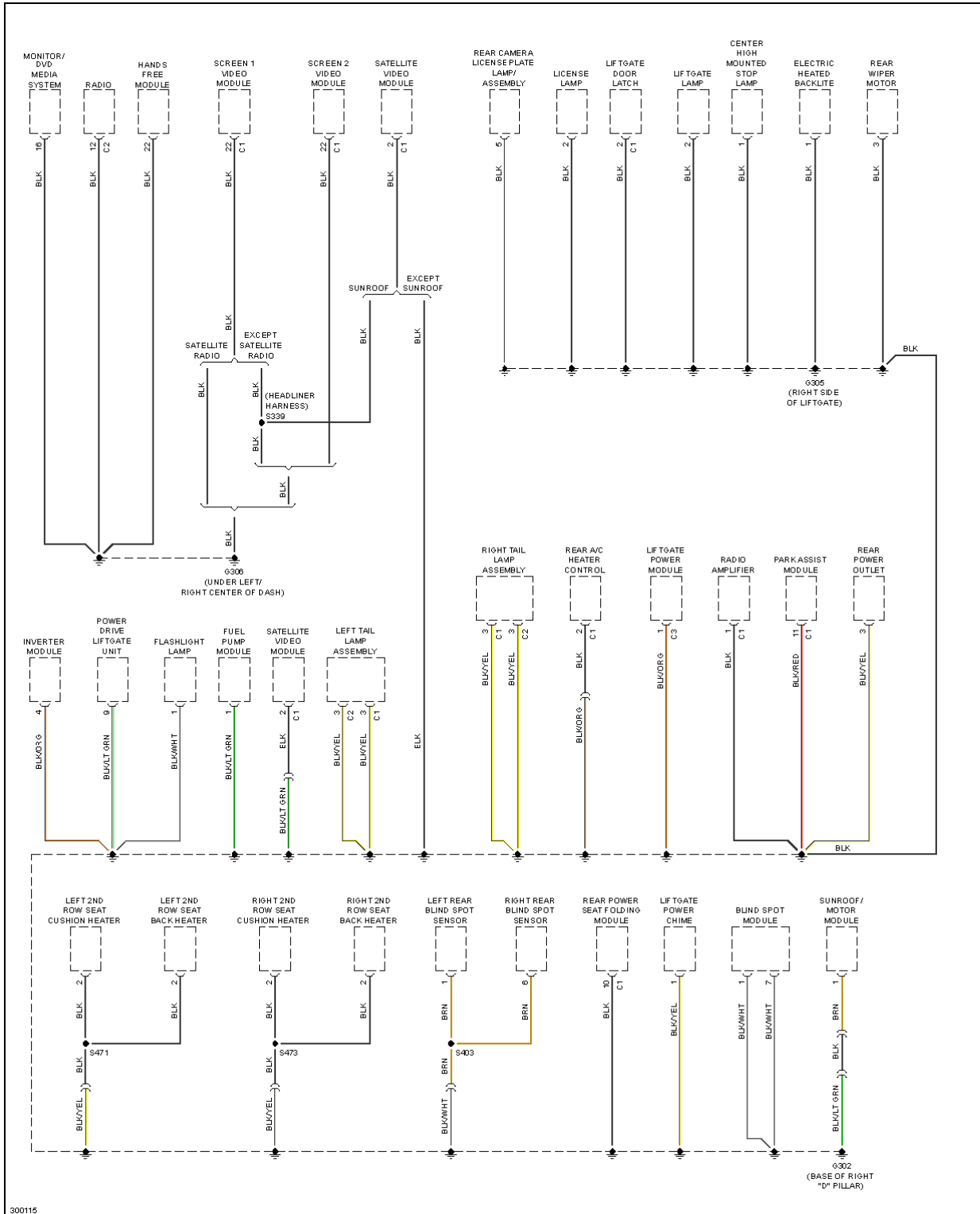
2009 Dodge Grand Caravan SE

2009 SYSTEM WIRING DIAGRAMS Dodge - Grand Caravan

Fig. 39: Ground Distribution Circuit (2 of 4)

2009 Dodge Grand Caravan SE

2009 SYSTEM WIRING DIAGRAMS Dodge - Grand Caravan



2009 Dodge Grand Caravan SE

2009 SYSTEM WIRING DIAGRAMS Dodge - Grand Caravan

Fig. 40: Ground Distribution Circuit (3 of 4)

2009 Dodge Grand Caravan SE

2009 SYSTEM WIRING DIAGRAMS Dodge - Grand Caravan

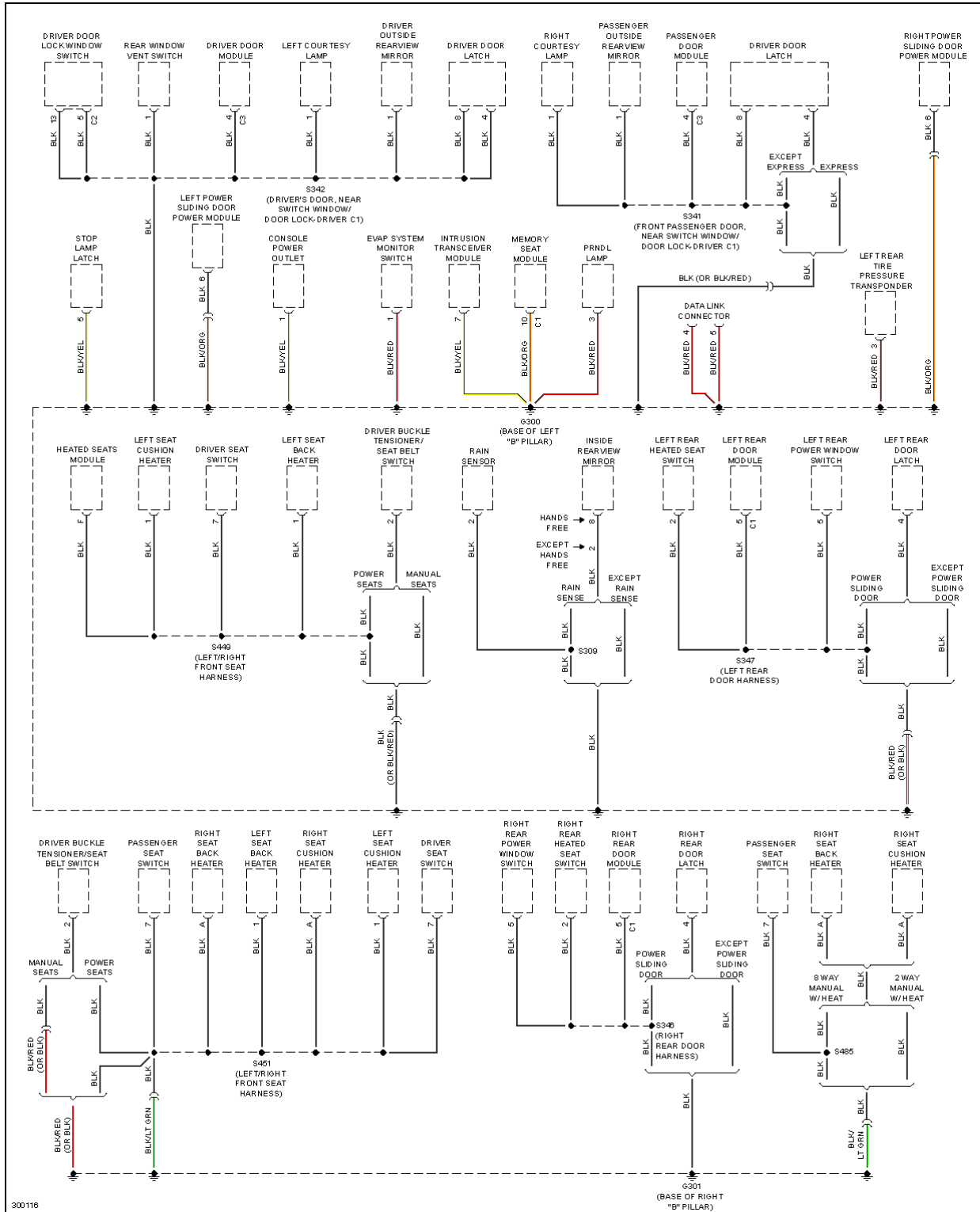


Fig. 41: Ground Distribution Circuit (4 of 4)

HEADLIGHTS

2009 Dodge Grand Caravan SE

2009 SYSTEM WIRING DIAGRAMS Dodge - Grand Caravan

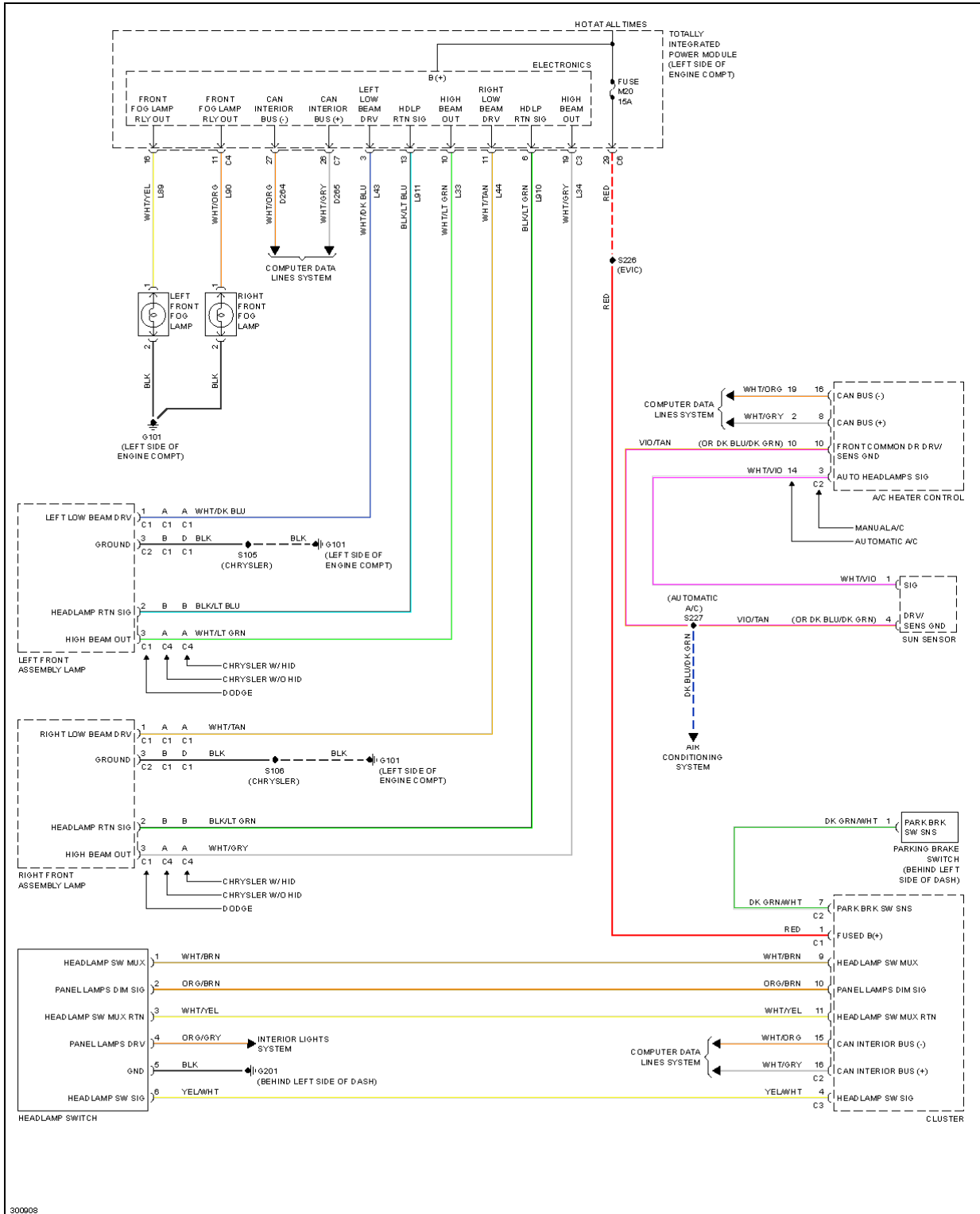


Fig. 42: Headlights Circuit

HORN

2009 Dodge Grand Caravan SE

2009 SYSTEM WIRING DIAGRAMS Dodge - Grand Caravan

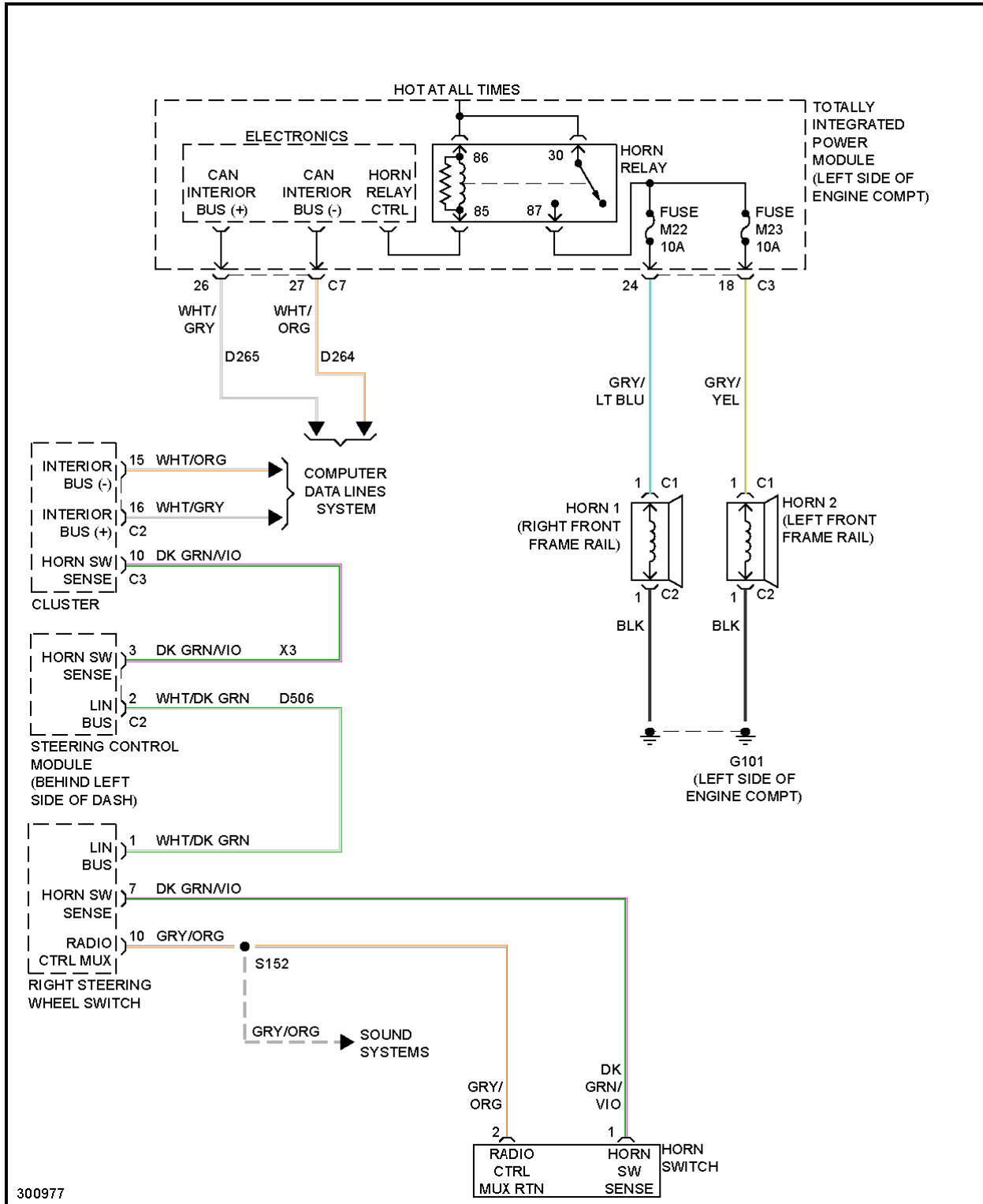


Fig. 43: Horn Circuit

INSTRUMENT CLUSTER

2009 Dodge Grand Caravan SE

2009 SYSTEM WIRING DIAGRAMS Dodge - Grand Caravan

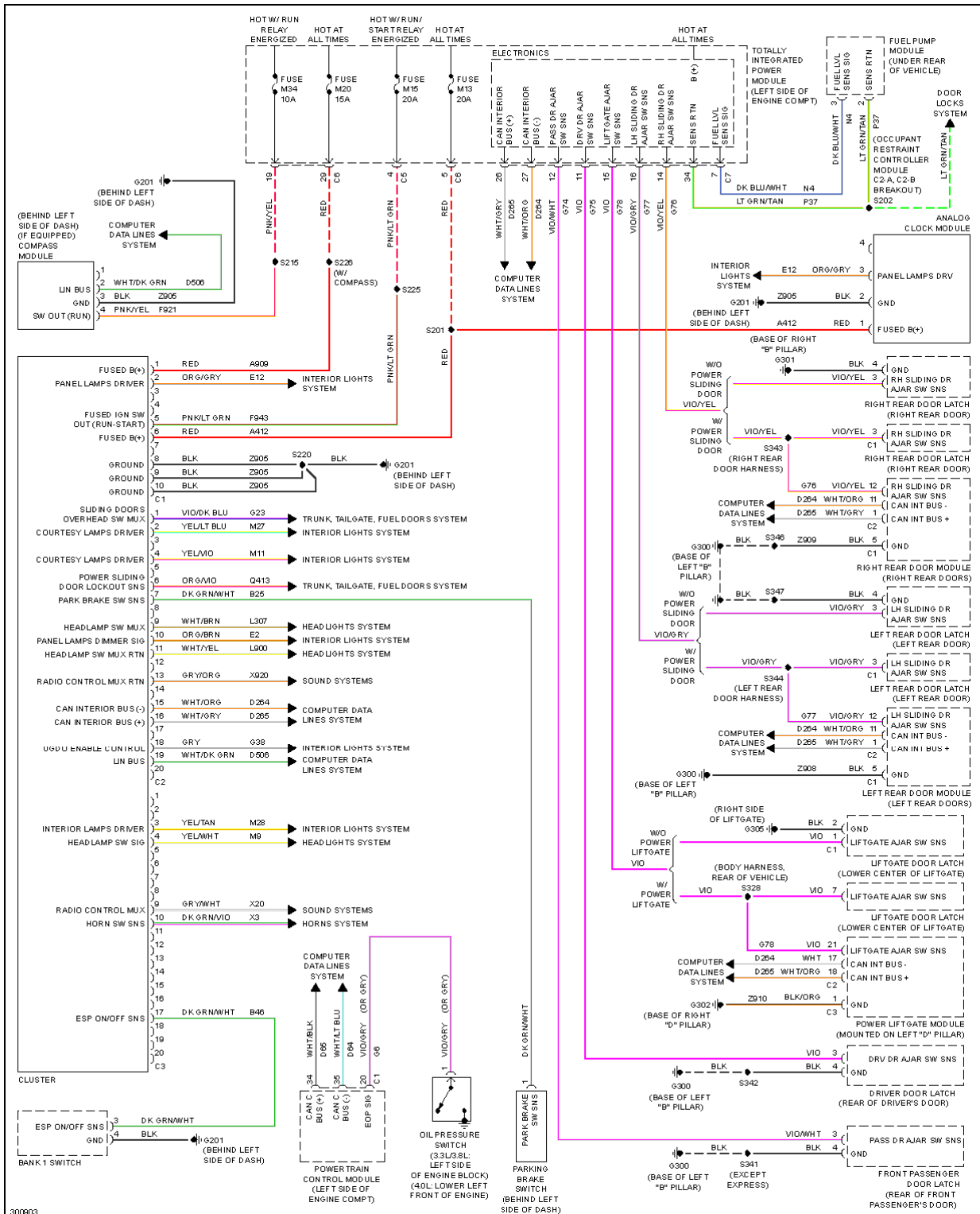
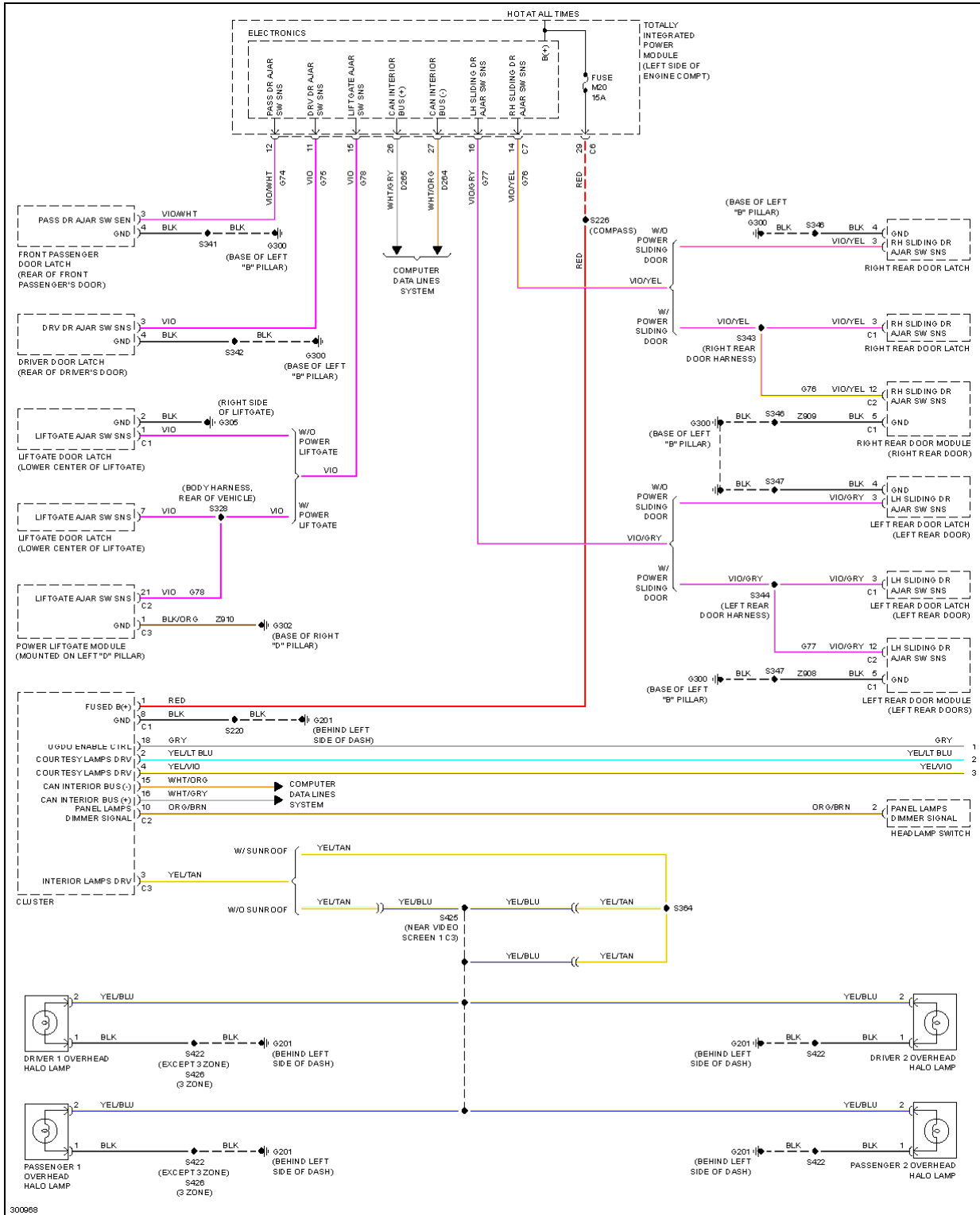


Fig. 44: Instrument Cluster Circuit

INTERIOR LIGHTS

2009 Dodge Grand Caravan SE

2009 SYSTEM WIRING DIAGRAMS Dodge - Grand Caravan



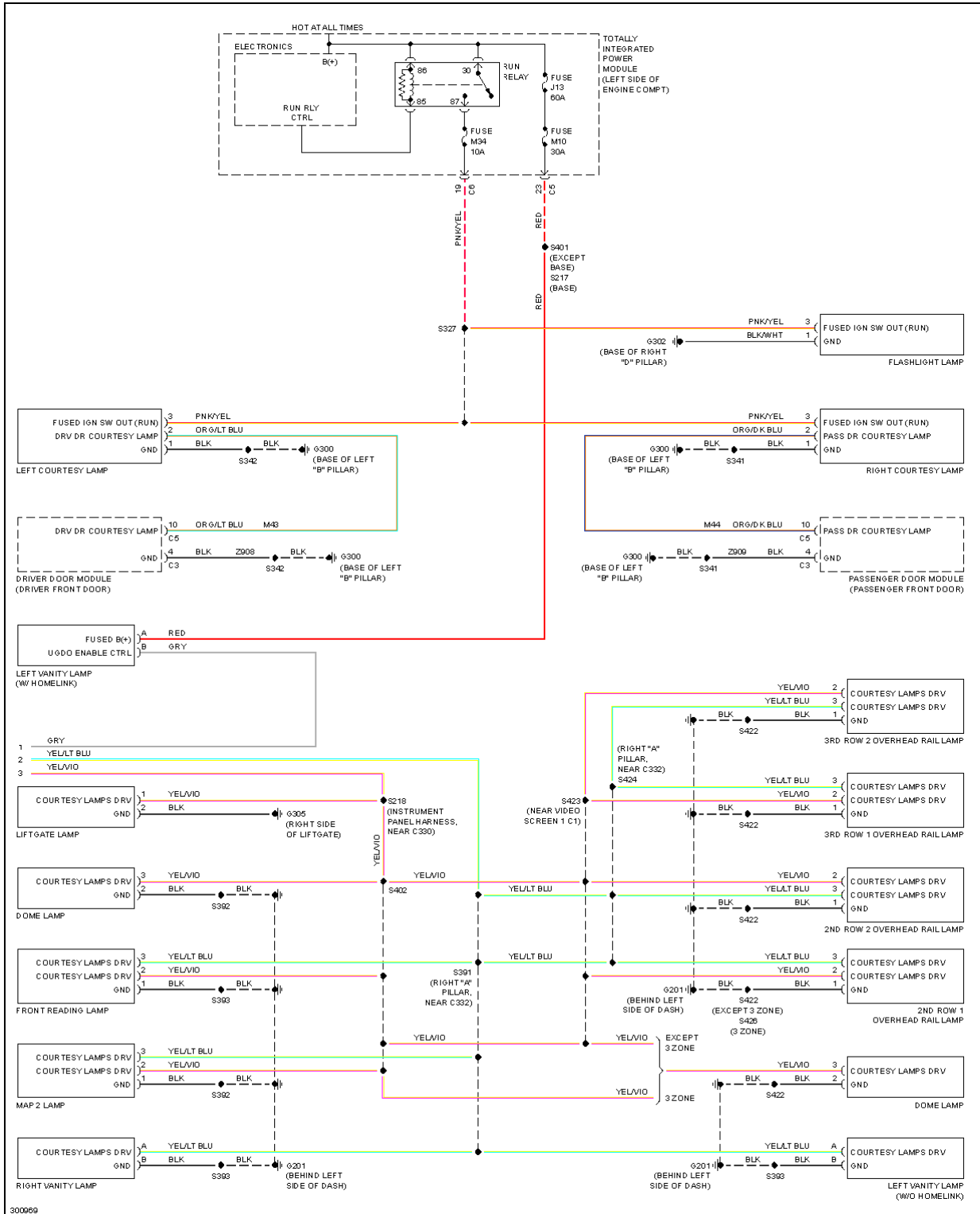
2009 Dodge Grand Caravan SE

2009 SYSTEM WIRING DIAGRAMS Dodge - Grand Caravan

Fig. 45: Courtesy Lamps Circuit (1 of 2)

2009 Dodge Grand Caravan SE

2009 SYSTEM WIRING DIAGRAMS Dodge - Grand Caravan



2009 Dodge Grand Caravan SE

2009 SYSTEM WIRING DIAGRAMS Dodge - Grand Caravan

Fig. 46: Courtesy Lamps Circuit (2 of 2)

2009 Dodge Grand Caravan SE

2009 SYSTEM WIRING DIAGRAMS Dodge - Grand Caravan

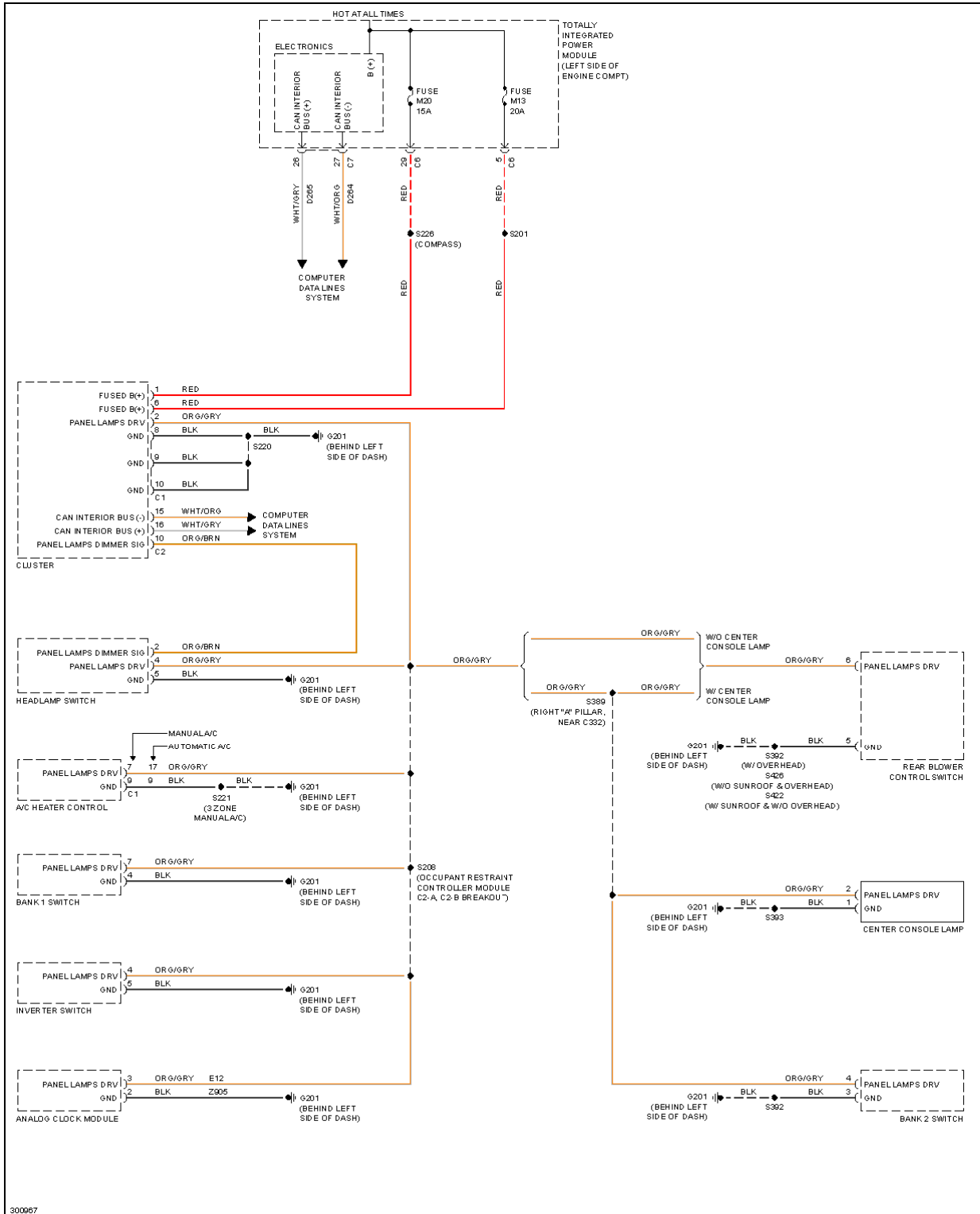


Fig. 47: Instrument Illumination Circuit

MEMORY SYSTEMS

2009 Dodge Grand Caravan SE

2009 SYSTEM WIRING DIAGRAMS Dodge - Grand Caravan

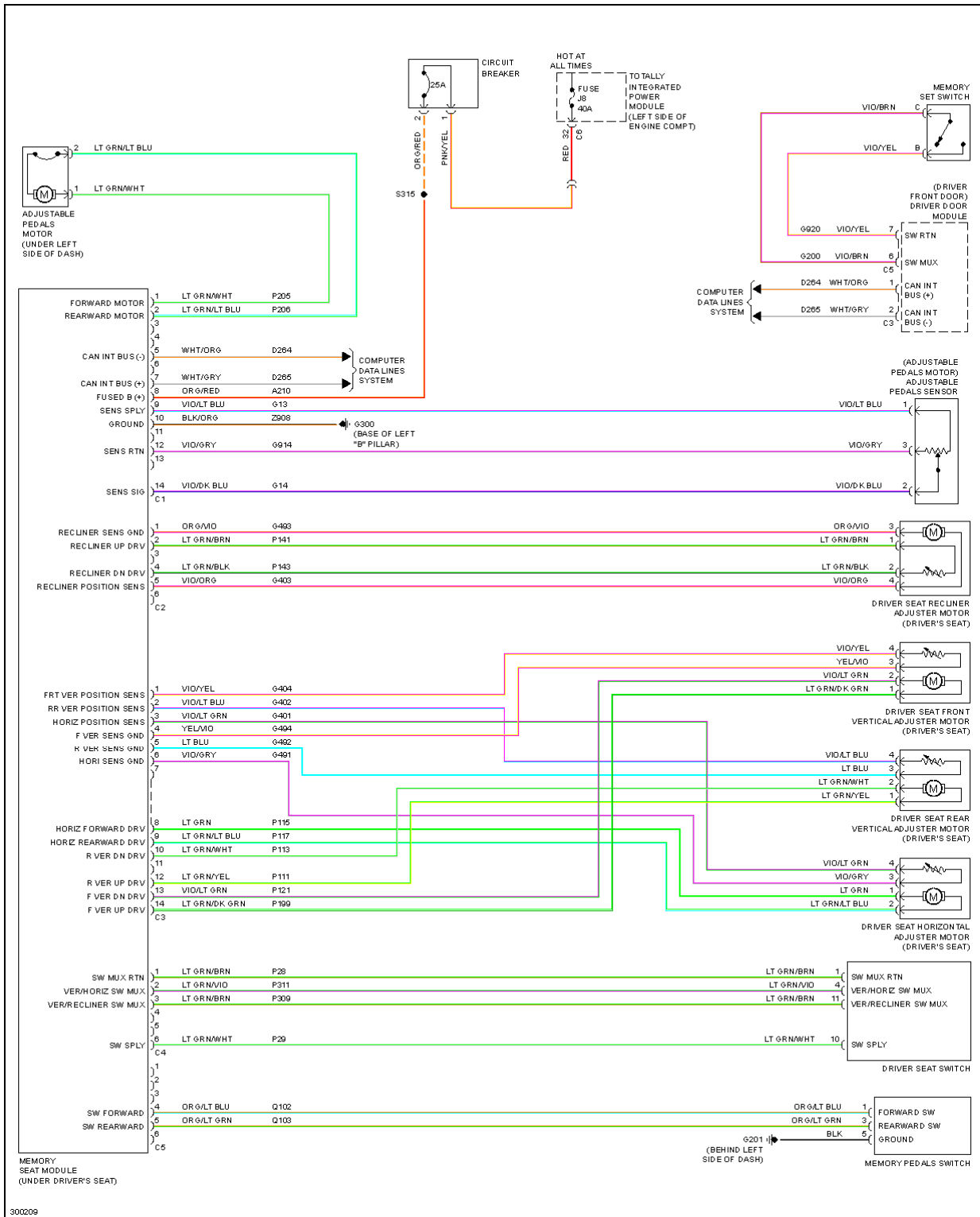
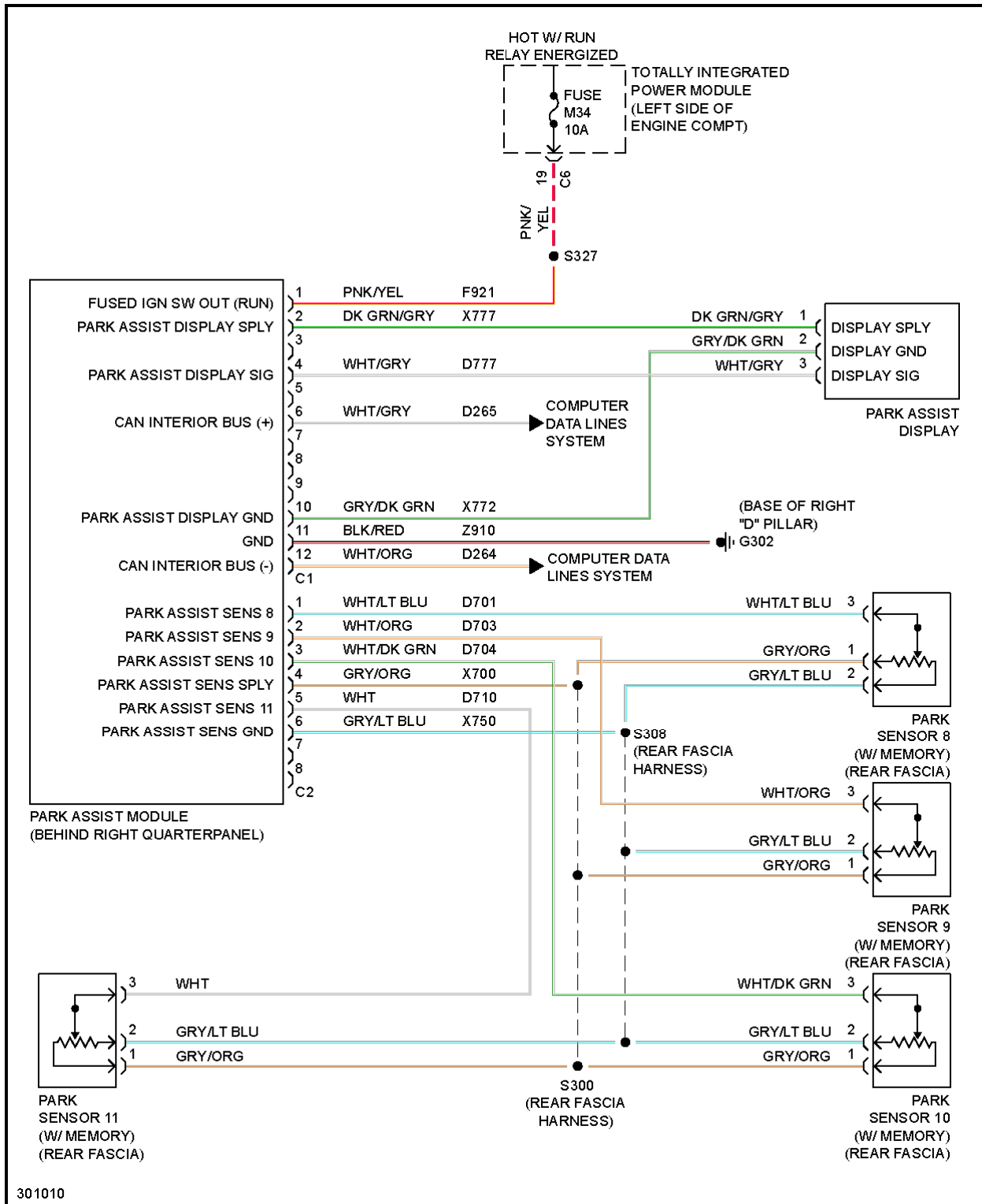


Fig. 48: Memory Systems Circuit

NAVIGATION

2009 Dodge Grand Caravan SE

2009 SYSTEM WIRING DIAGRAMS Dodge - Grand Caravan



2009 Dodge Grand Caravan SE

2009 SYSTEM WIRING DIAGRAMS Dodge - Grand Caravan

Fig. 49: Parking Assistant Circuit

2009 Dodge Grand Caravan SE

2009 SYSTEM WIRING DIAGRAMS Dodge - Grand Caravan

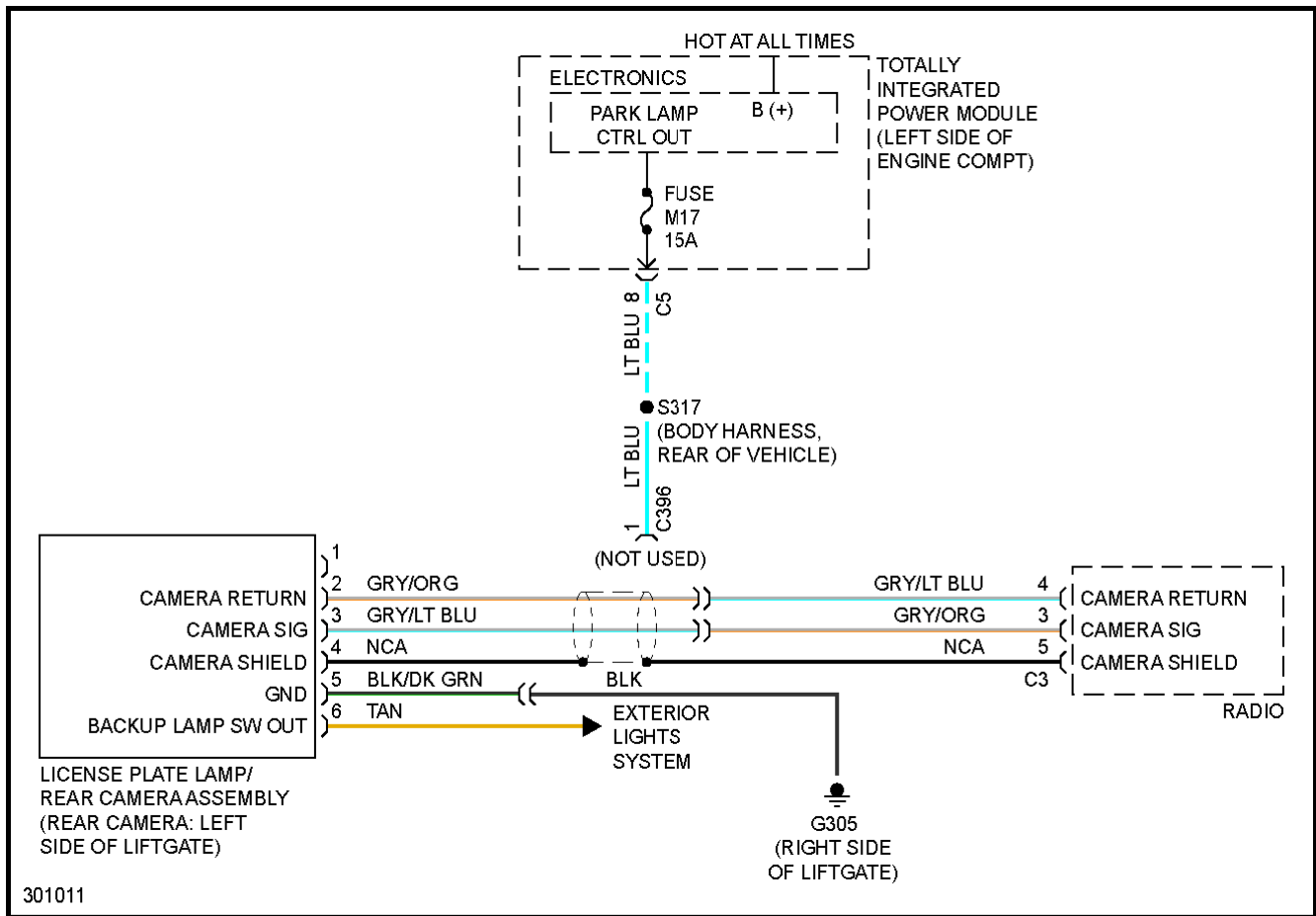
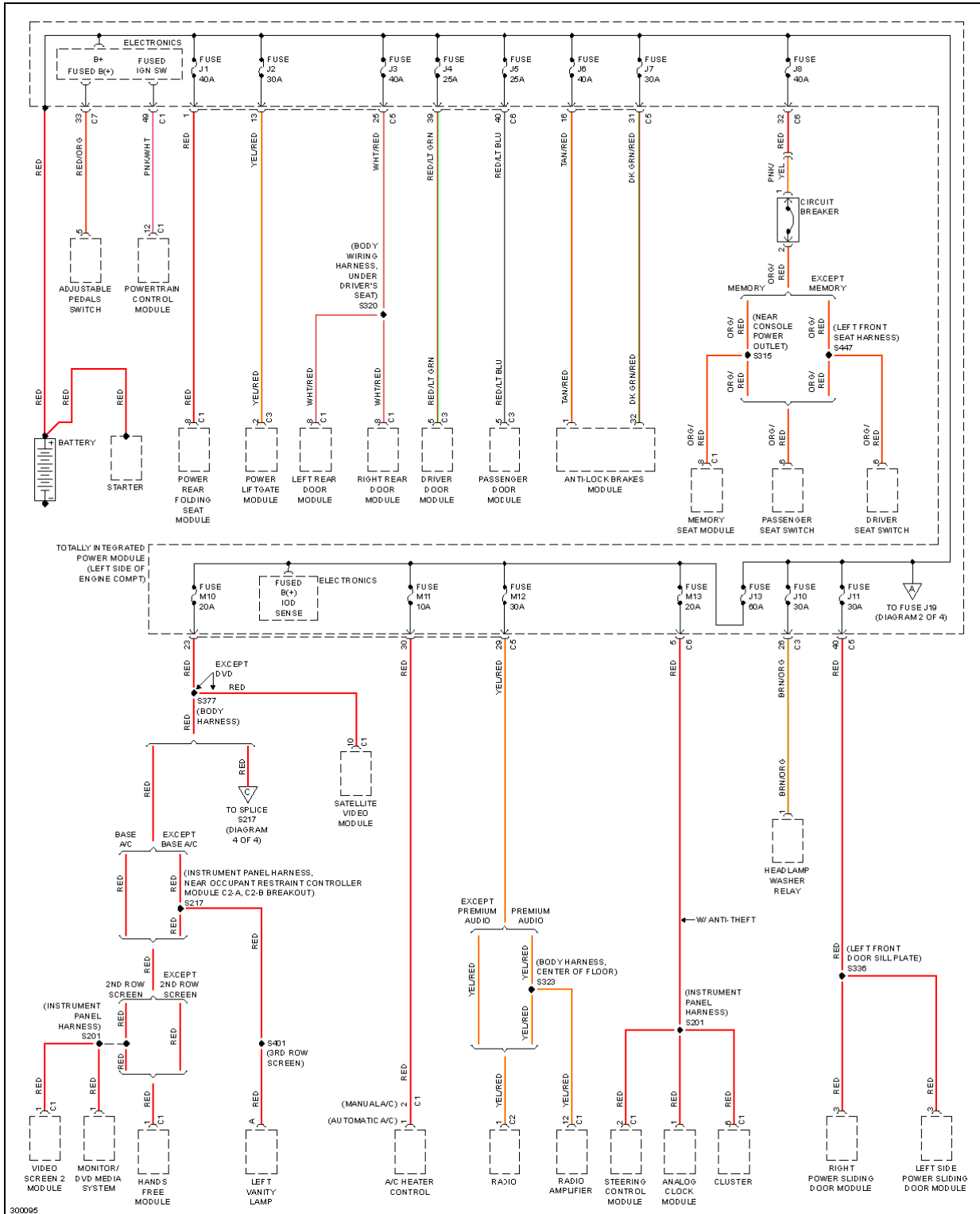


Fig. 50: Rear Camera Circuit

POWER DISTRIBUTION

2009 Dodge Grand Caravan SE

2009 SYSTEM WIRING DIAGRAMS Dodge - Grand Caravan



2009 Dodge Grand Caravan SE

2009 SYSTEM WIRING DIAGRAMS Dodge - Grand Caravan

Fig. 51: Power Distribution Circuit (1 of 4)

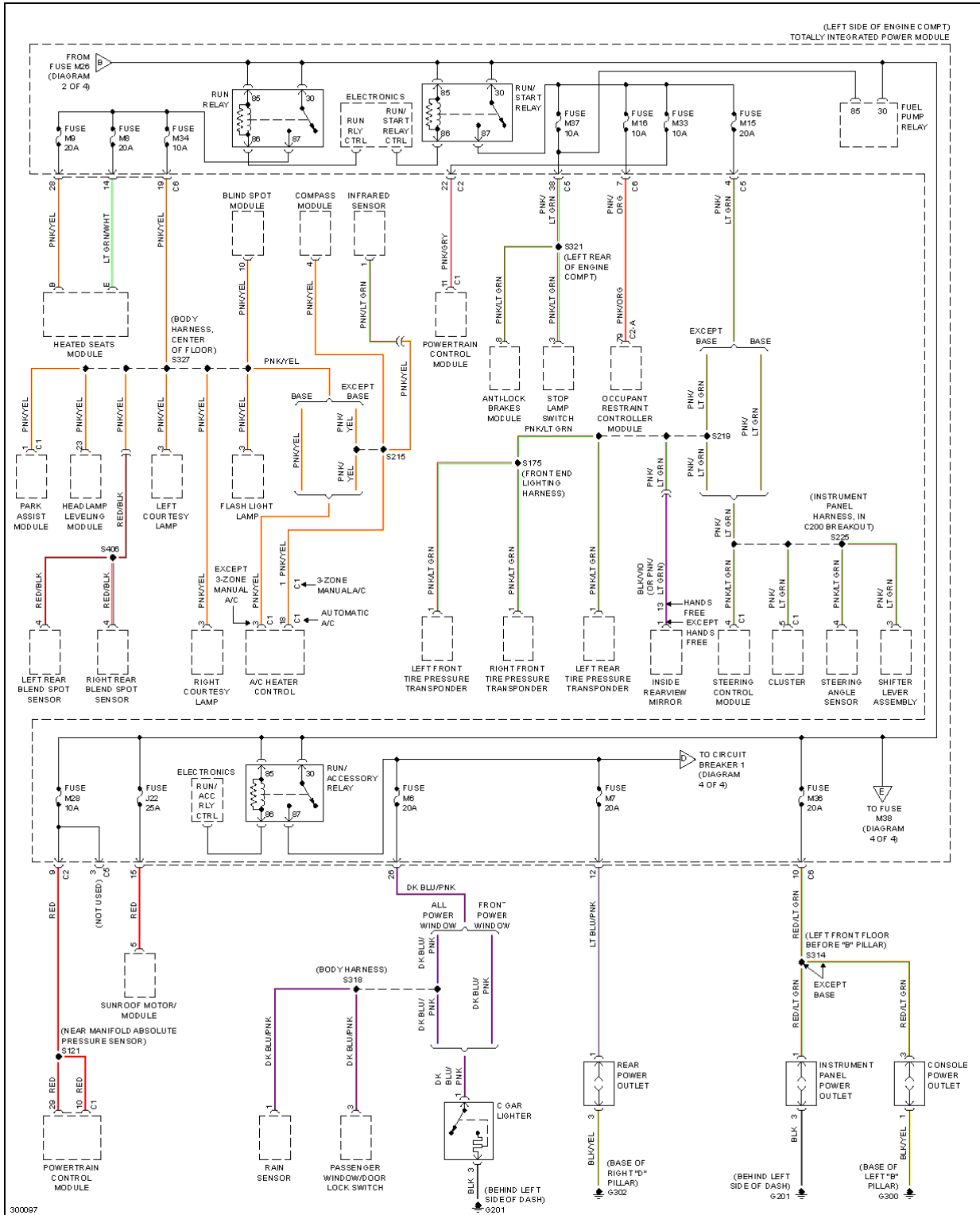
2009 Dodge Grand Caravan SE

2009 SYSTEM WIRING DIAGRAMS Dodge - Grand Caravan

Fig. 52: Power Distribution Circuit (2 of 4)

2009 Dodge Grand Caravan SE

2009 SYSTEM WIRING DIAGRAMS Dodge - Grand Caravan



2009 Dodge Grand Caravan SE

2009 SYSTEM WIRING DIAGRAMS Dodge - Grand Caravan

Fig. 53: Power Distribution Circuit (3 of 4)

2009 Dodge Grand Caravan SE

2009 SYSTEM WIRING DIAGRAMS Dodge - Grand Caravan

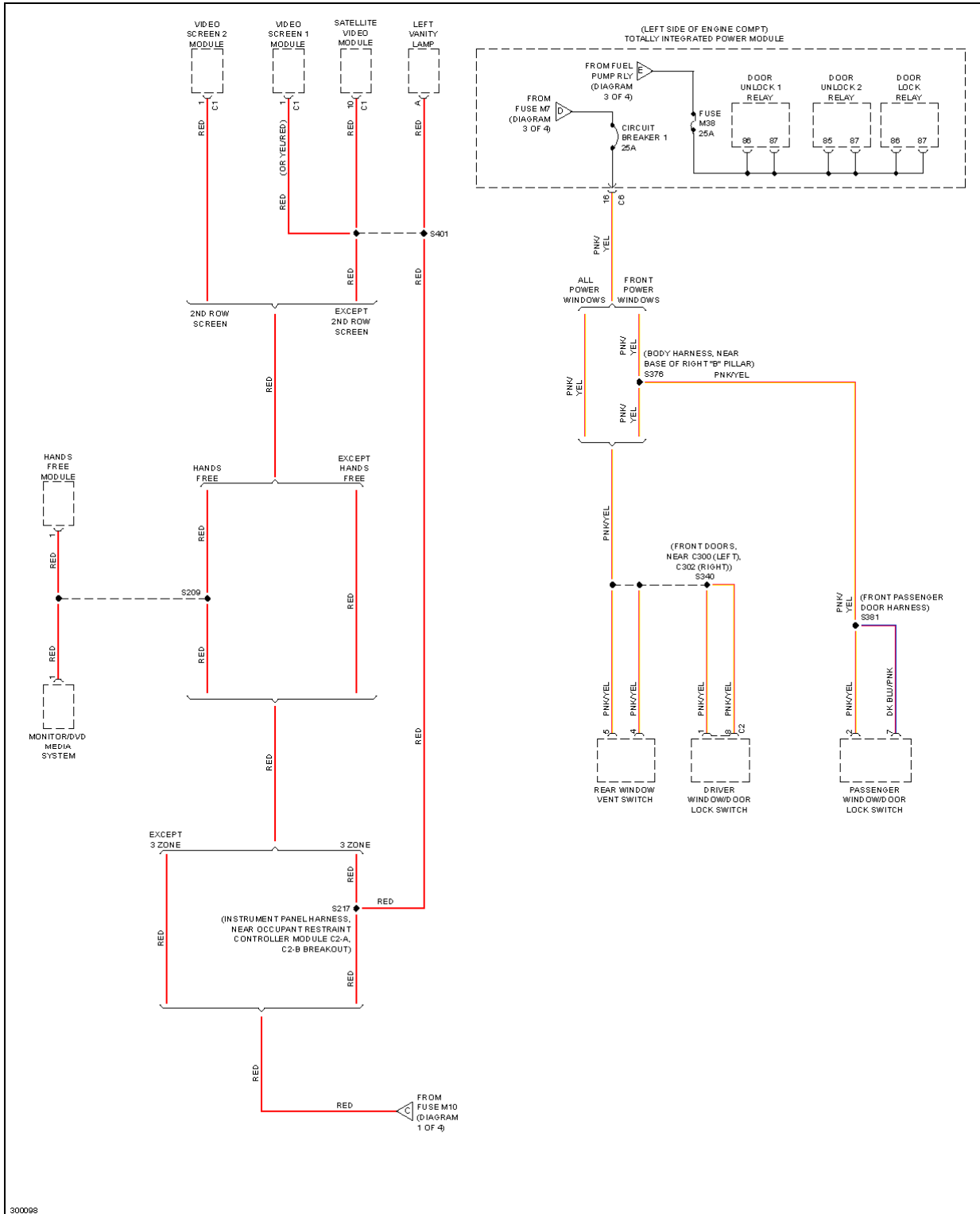


Fig. 54: Power Distribution Circuit (4 of 4)

POWER DOOR LOCKS

2009 Dodge Grand Caravan SE

2009 SYSTEM WIRING DIAGRAMS Dodge - Grand Caravan

Fig. 55: Power Door Locks Circuit (1 of 2)

2009 Dodge Grand Caravan SE

2009 SYSTEM WIRING DIAGRAMS Dodge - Grand Caravan

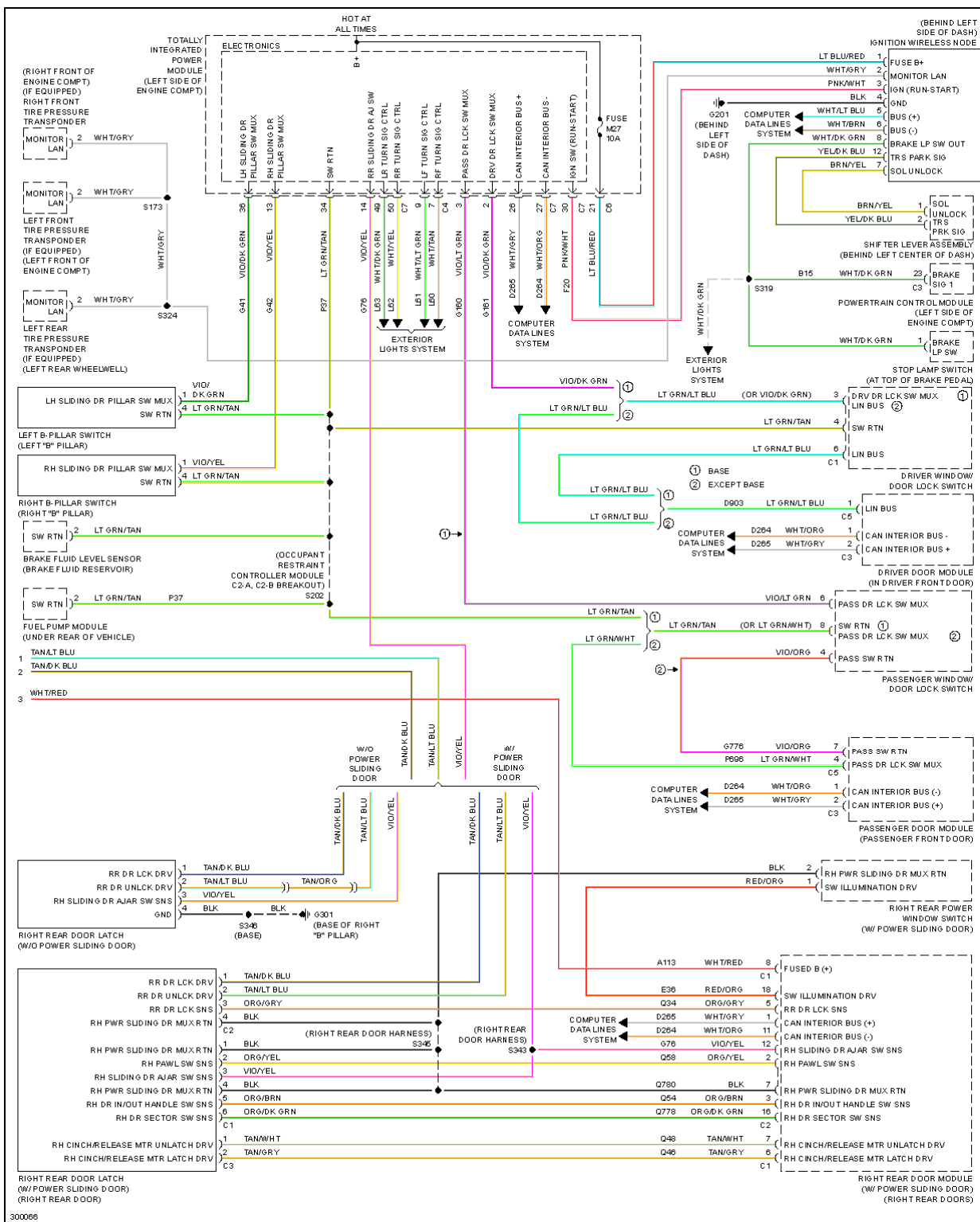
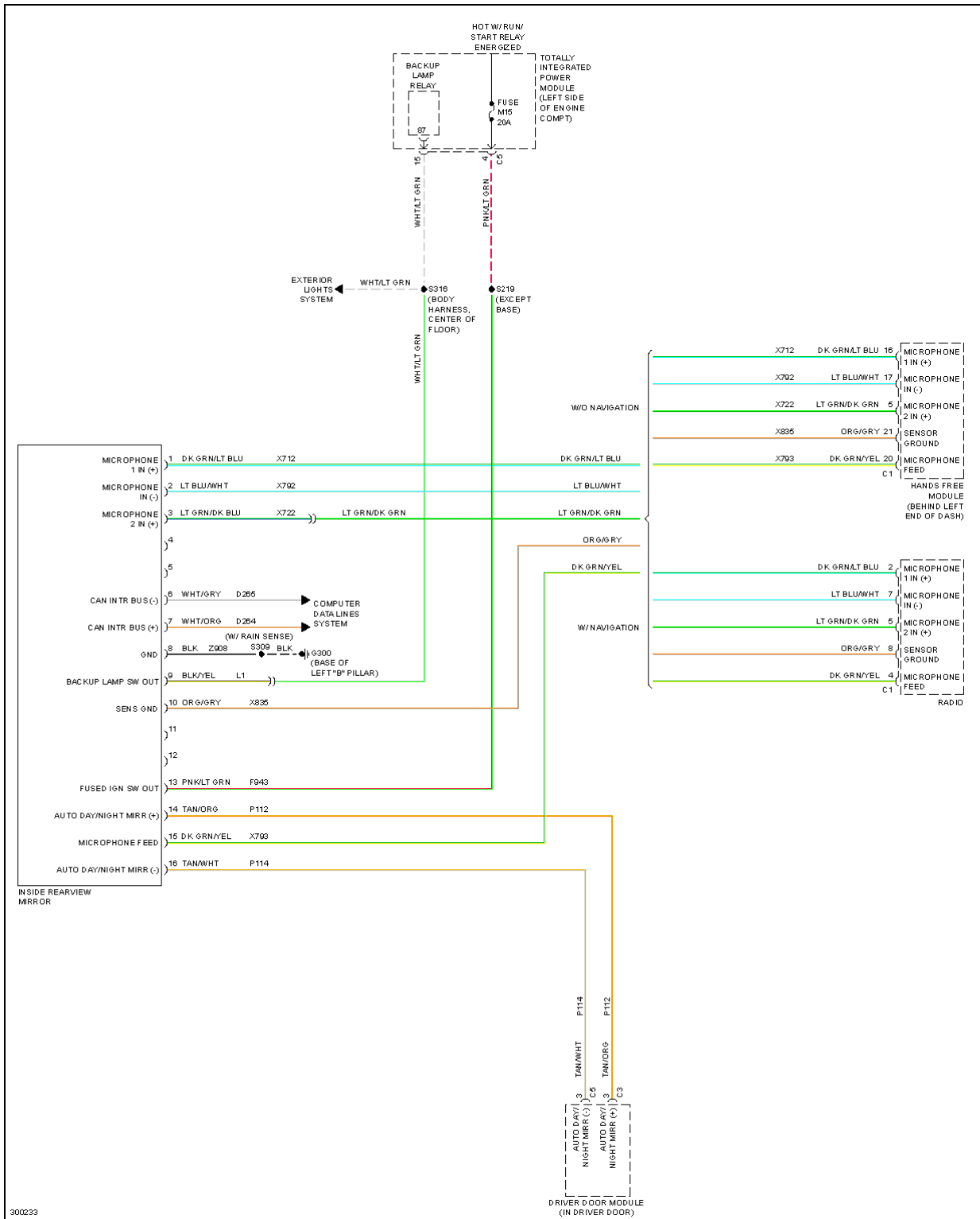


Fig. 56: Power Door Locks Circuit (2 of 2)

POWER MIRRORS

2009 Dodge Grand Caravan SE

2009 SYSTEM WIRING DIAGRAMS Dodge - Grand Caravan



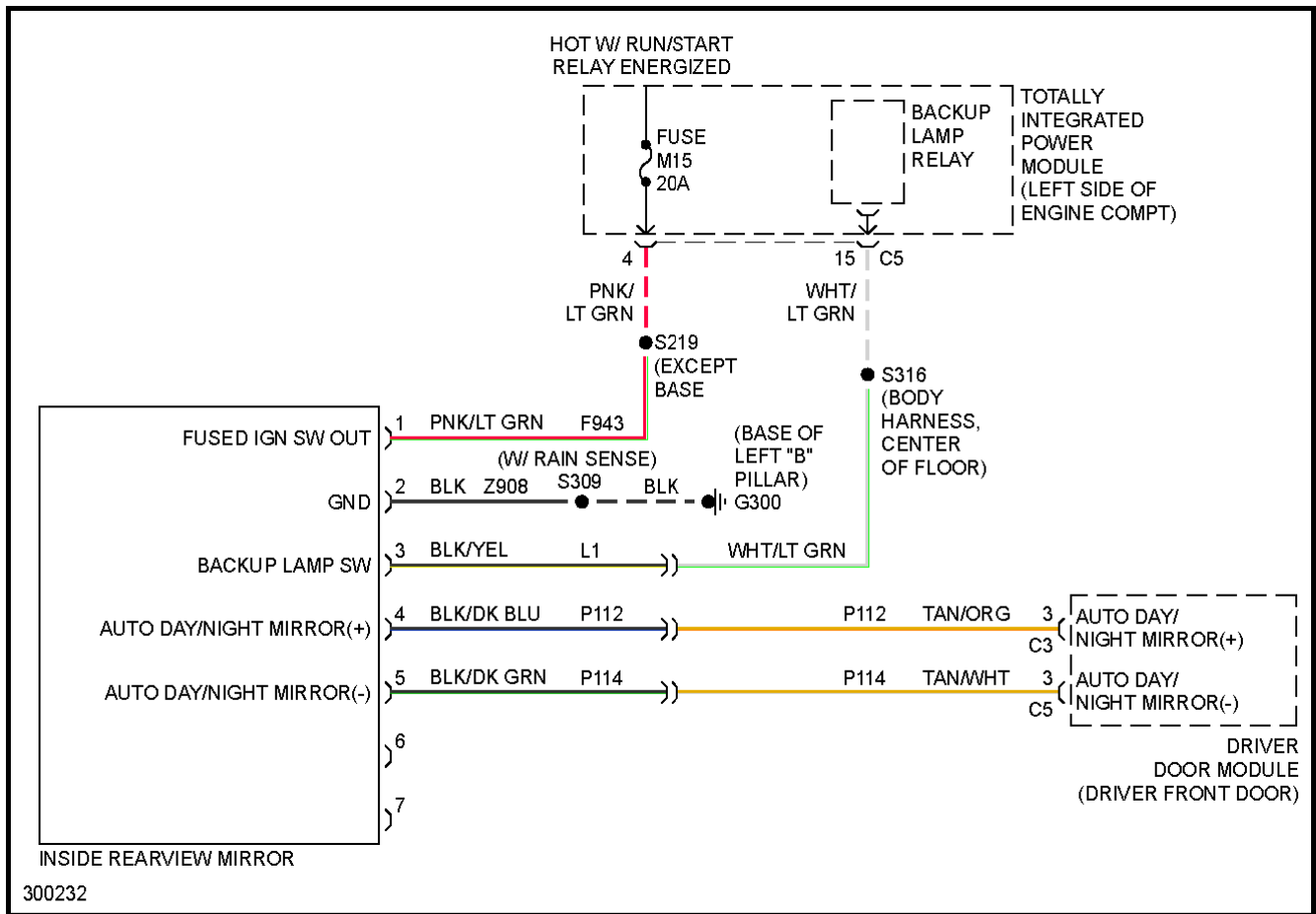
2009 Dodge Grand Caravan SE

2009 SYSTEM WIRING DIAGRAMS Dodge - Grand Caravan

Fig. 57: Automatic Day/Night Mirror Circuit, W/ Hands Free

2009 Dodge Grand Caravan SE

2009 SYSTEM WIRING DIAGRAMS Dodge - Grand Caravan



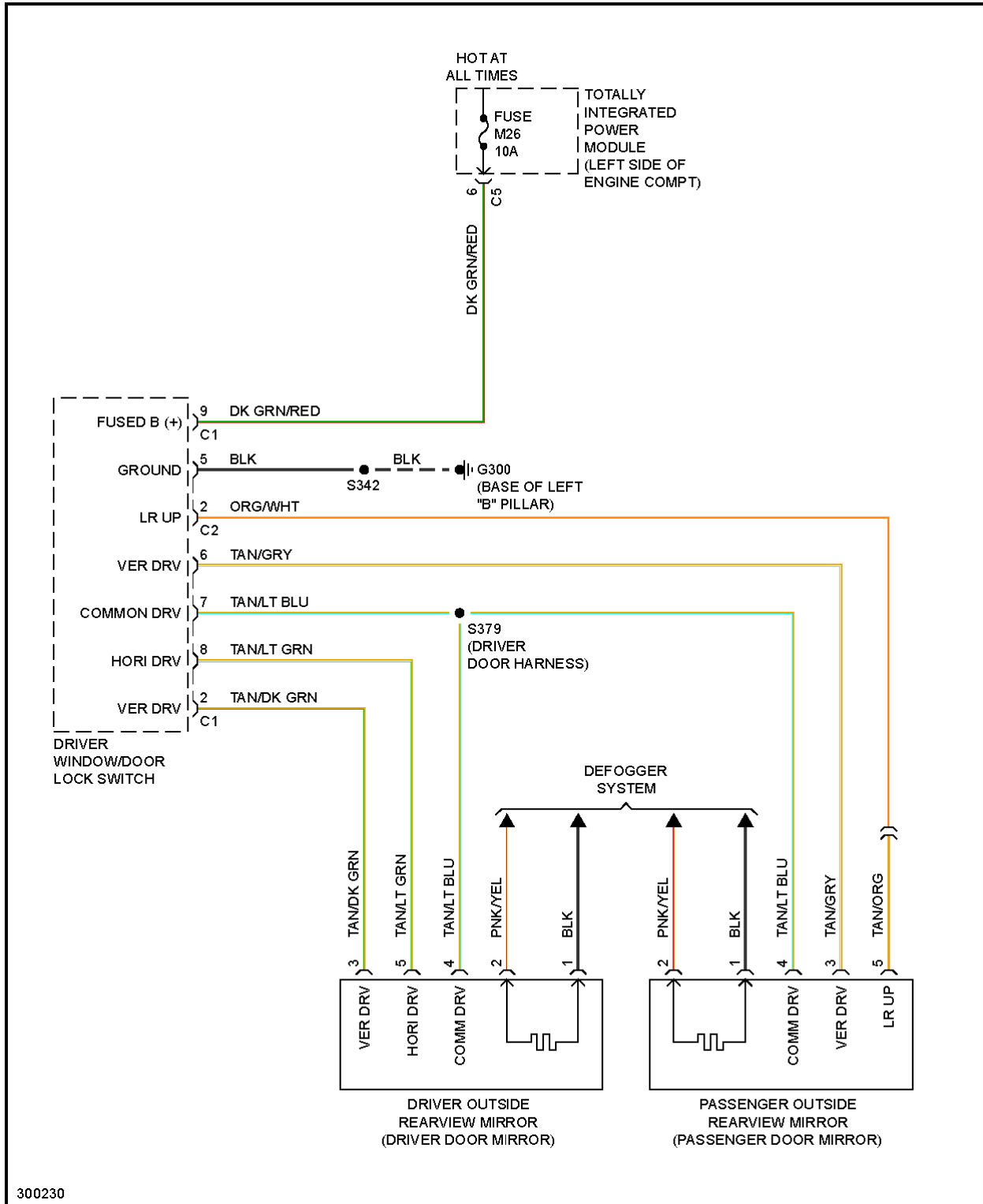
2009 Dodge Grand Caravan SE

2009 SYSTEM WIRING DIAGRAMS Dodge - Grand Caravan

Fig. 58: Automatic Day/Night Mirror Circuit, W/O Hands Free

2009 Dodge Grand Caravan SE

2009 SYSTEM WIRING DIAGRAMS Dodge - Grand Caravan



2009 Dodge Grand Caravan SE

2009 SYSTEM WIRING DIAGRAMS Dodge - Grand Caravan

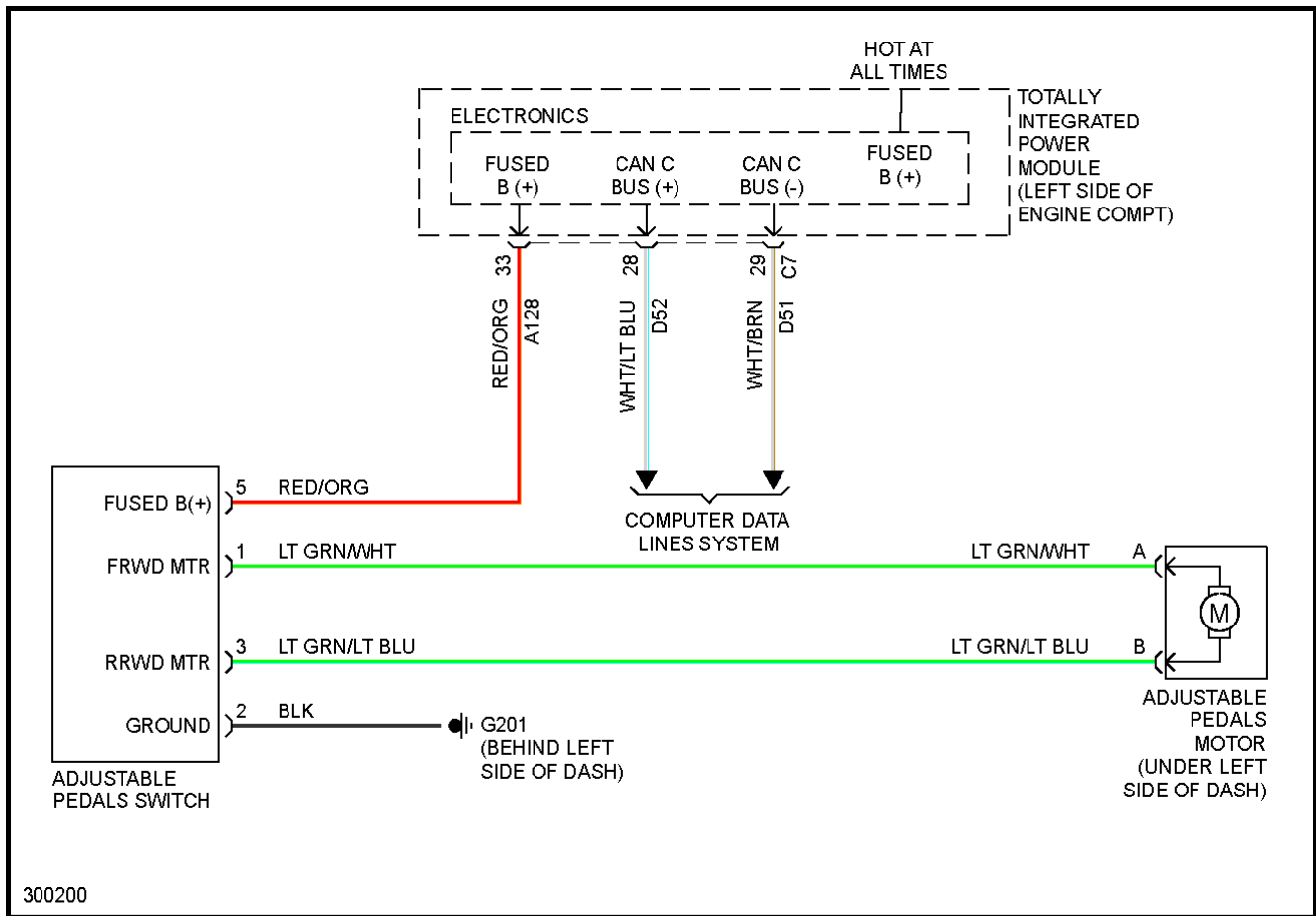
Fig. 59: Power Mirrors Circuit, Base

Fig. 60: Power Mirrors Circuit, Except Base

POWER SEATS

2009 Dodge Grand Caravan SE

2009 SYSTEM WIRING DIAGRAMS Dodge - Grand Caravan

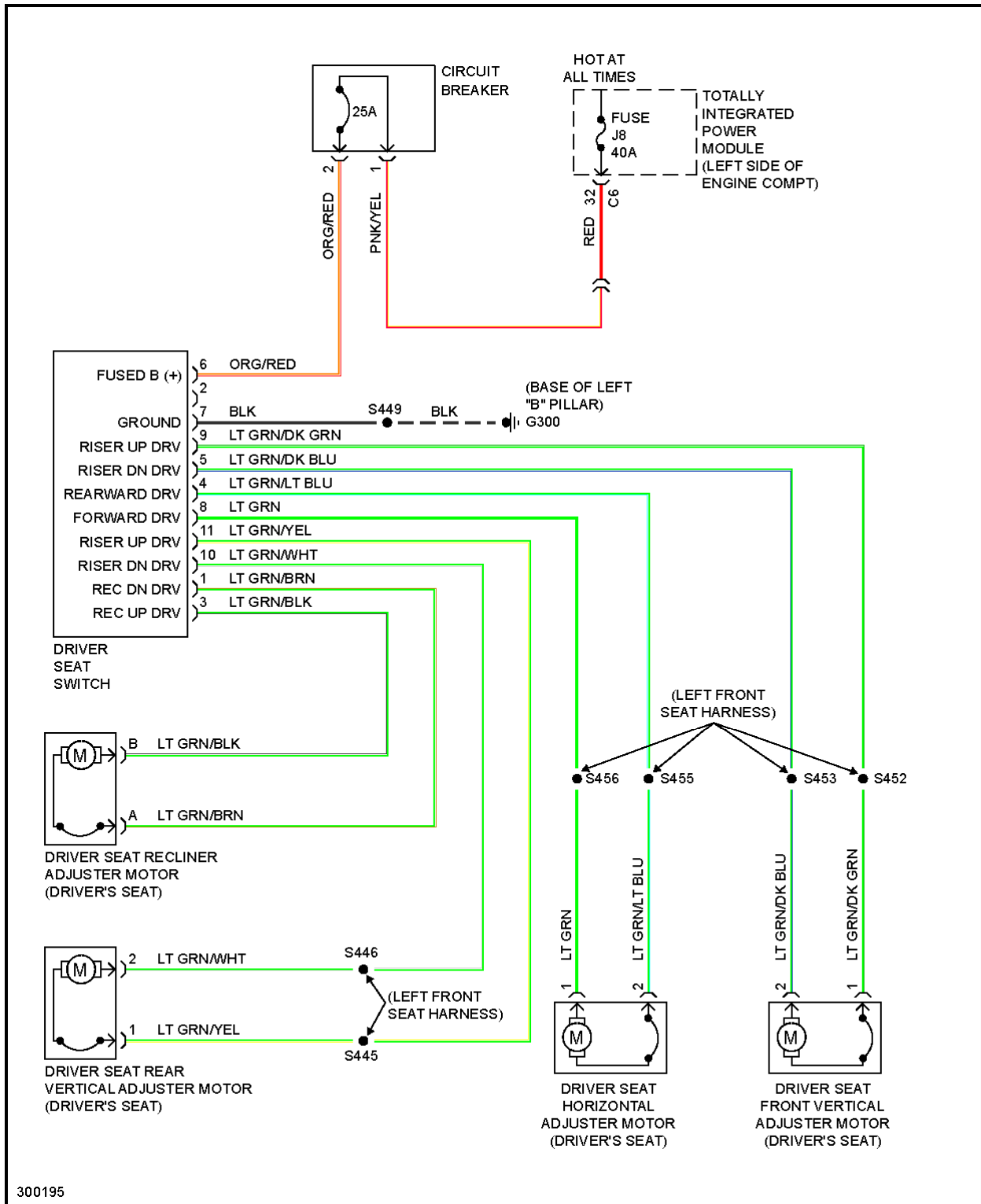


300200

Fig. 61: Adjustable Pedal Circuit

2009 Dodge Grand Caravan SE

2009 SYSTEM WIRING DIAGRAMS Dodge - Grand Caravan



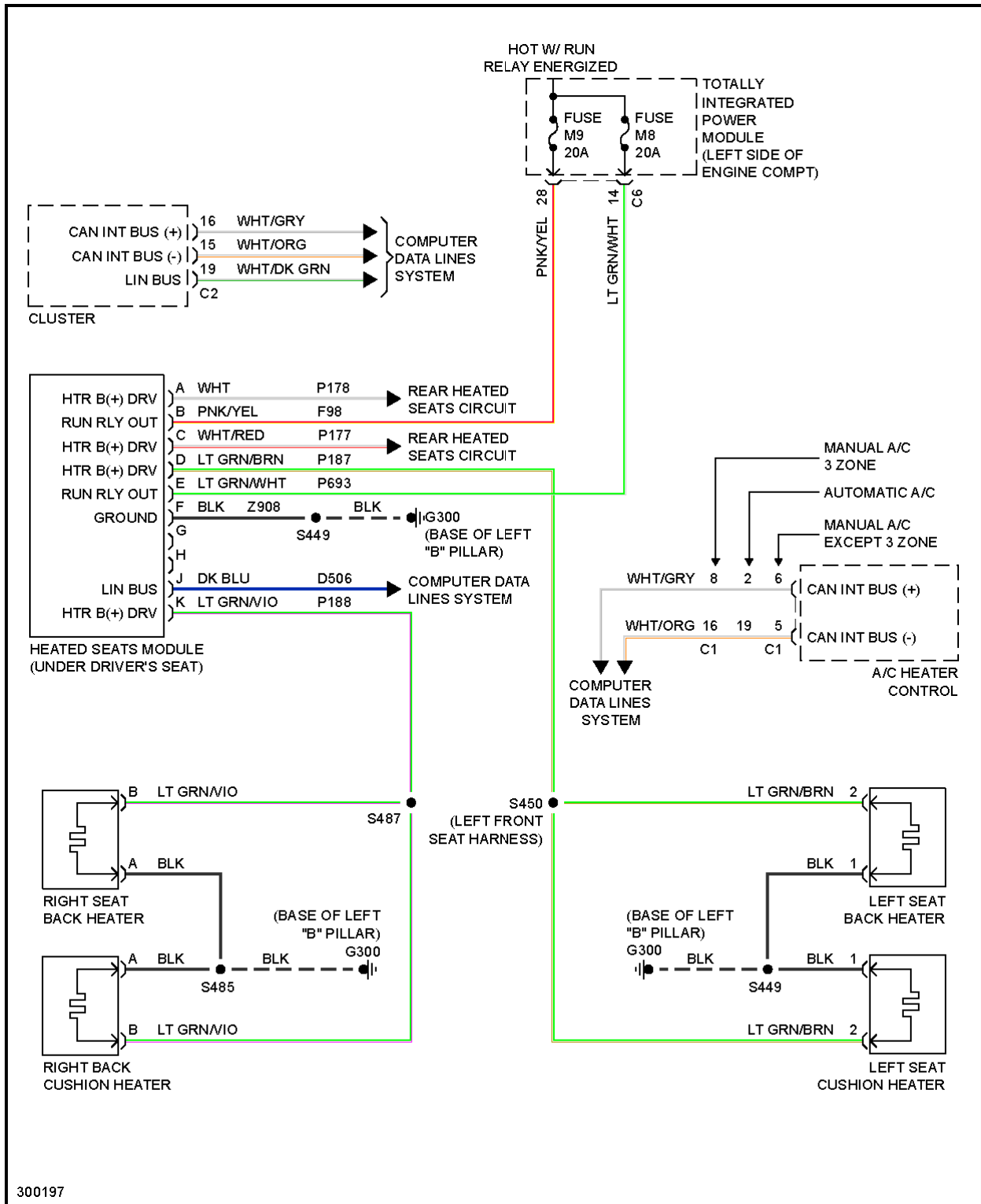
2009 Dodge Grand Caravan SE

2009 SYSTEM WIRING DIAGRAMS Dodge - Grand Caravan

Fig. 62: Driver Power Seat Circuit

2009 Dodge Grand Caravan SE

2009 SYSTEM WIRING DIAGRAMS Dodge - Grand Caravan



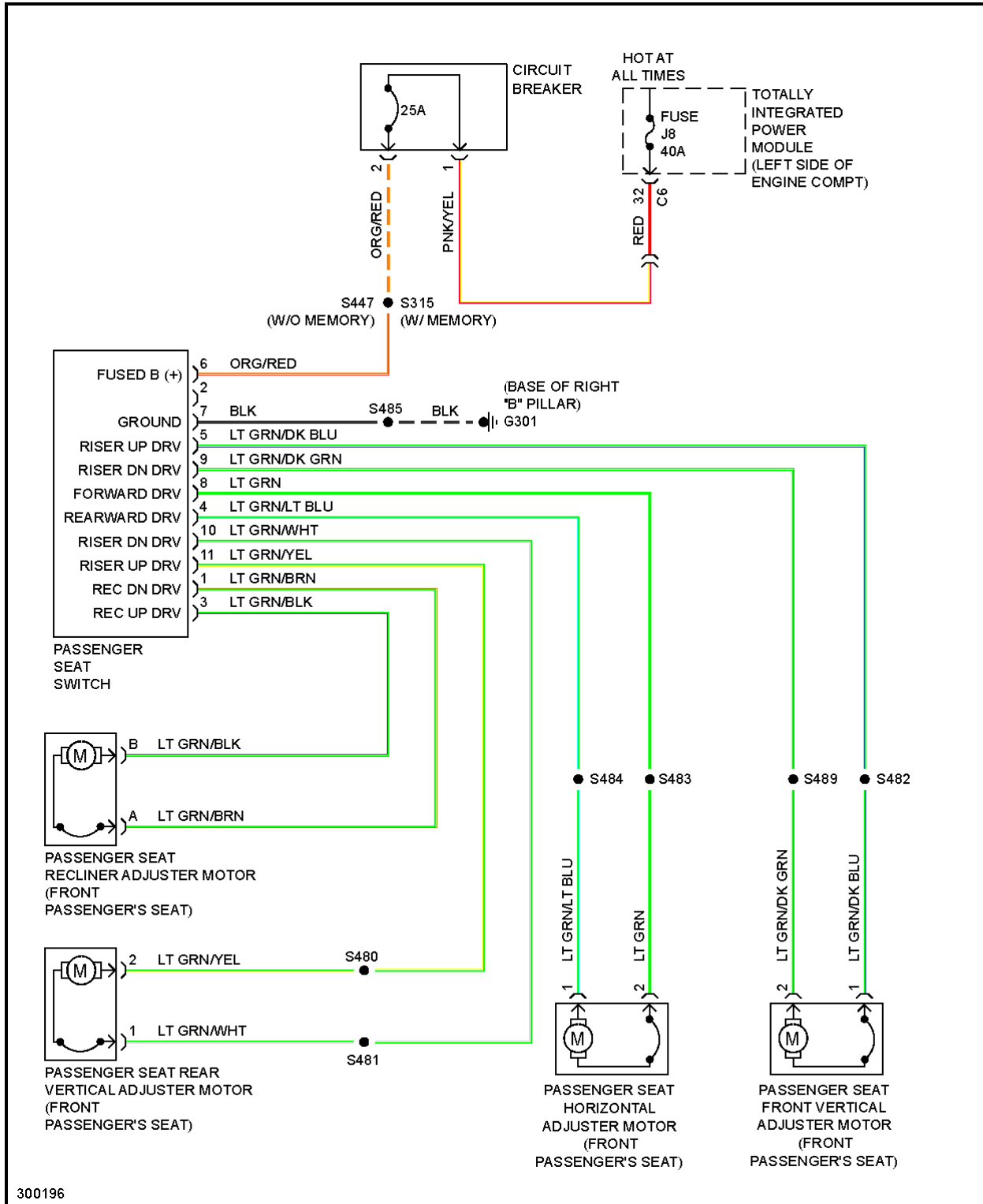
2009 Dodge Grand Caravan SE

2009 SYSTEM WIRING DIAGRAMS Dodge - Grand Caravan

Fig. 63: Front Heated Seats Circuit

2009 Dodge Grand Caravan SE

2009 SYSTEM WIRING DIAGRAMS Dodge - Grand Caravan



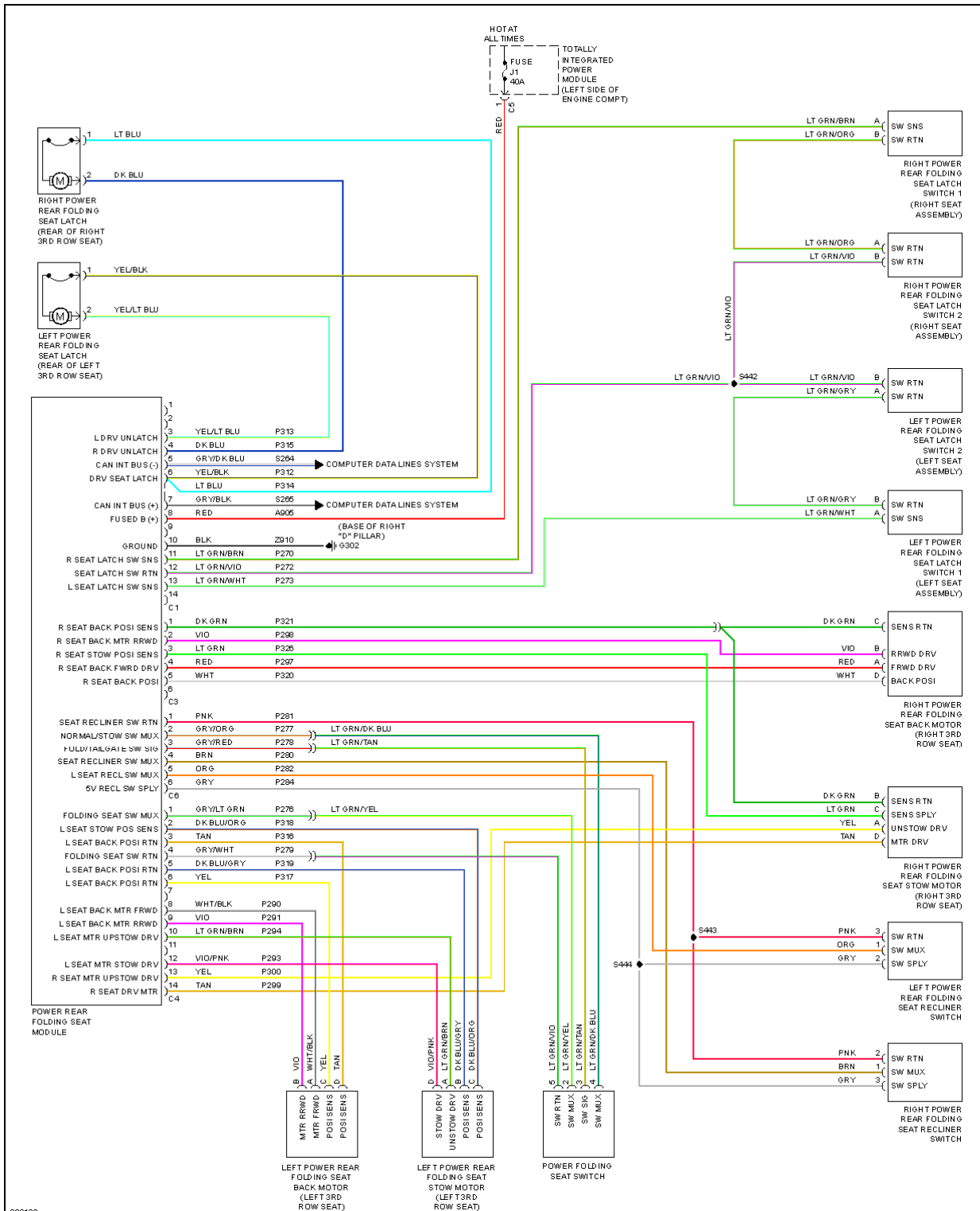
2009 Dodge Grand Caravan SE

2009 SYSTEM WIRING DIAGRAMS Dodge - Grand Caravan

Fig. 64: Passenger Power Seat Circuit

2009 Dodge Grand Caravan SE

2009 SYSTEM WIRING DIAGRAMS Dodge - Grand Caravan



2009 Dodge Grand Caravan SE

2009 SYSTEM WIRING DIAGRAMS Dodge - Grand Caravan

Fig. 65: Rear Folding Seat Circuit

2009 Dodge Grand Caravan SE

2009 SYSTEM WIRING DIAGRAMS Dodge - Grand Caravan

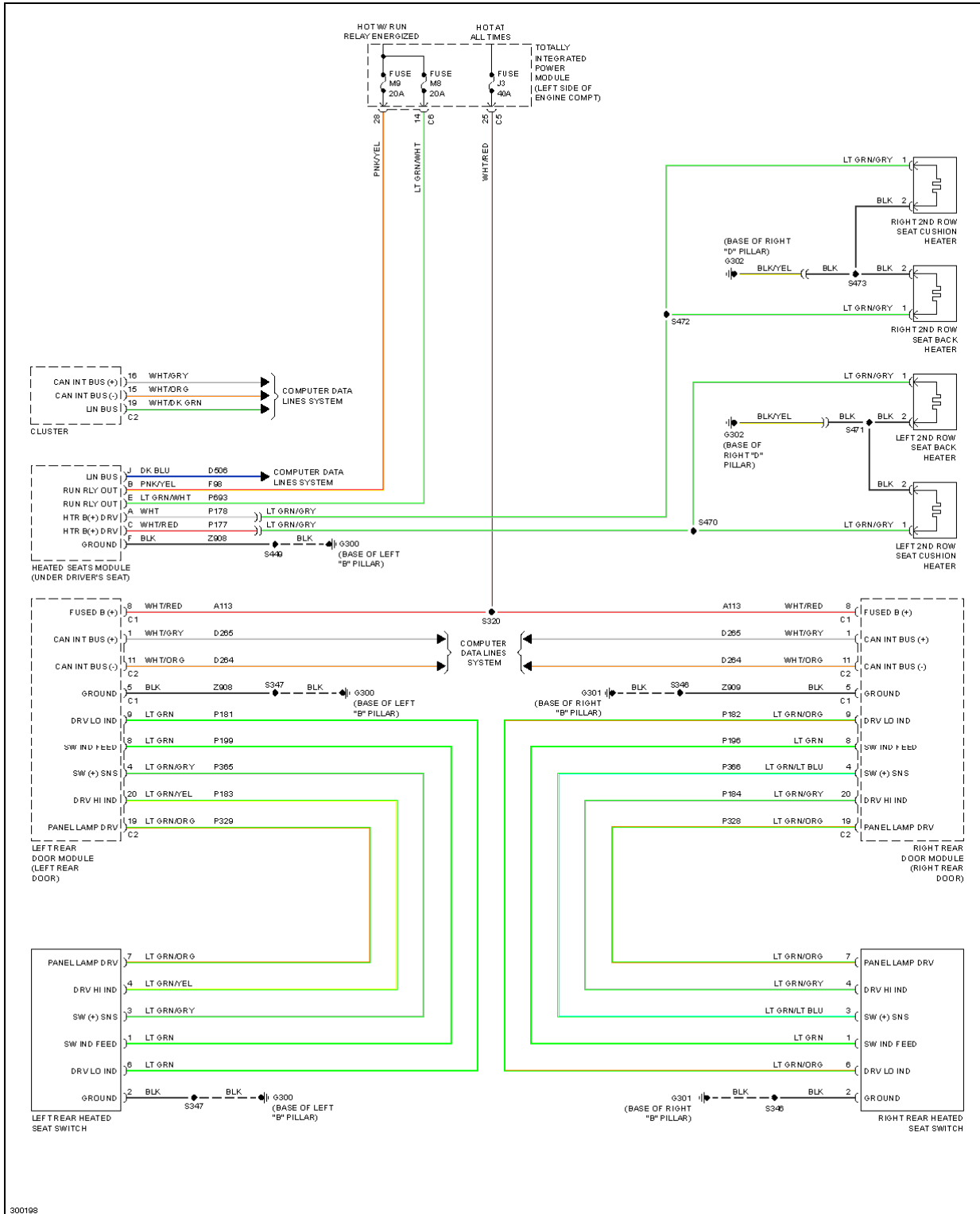


Fig. 66: Rear Heated Seats Circuit

POWER TOP/SUNROOF

2009 Dodge Grand Caravan SE

2009 SYSTEM WIRING DIAGRAMS Dodge - Grand Caravan

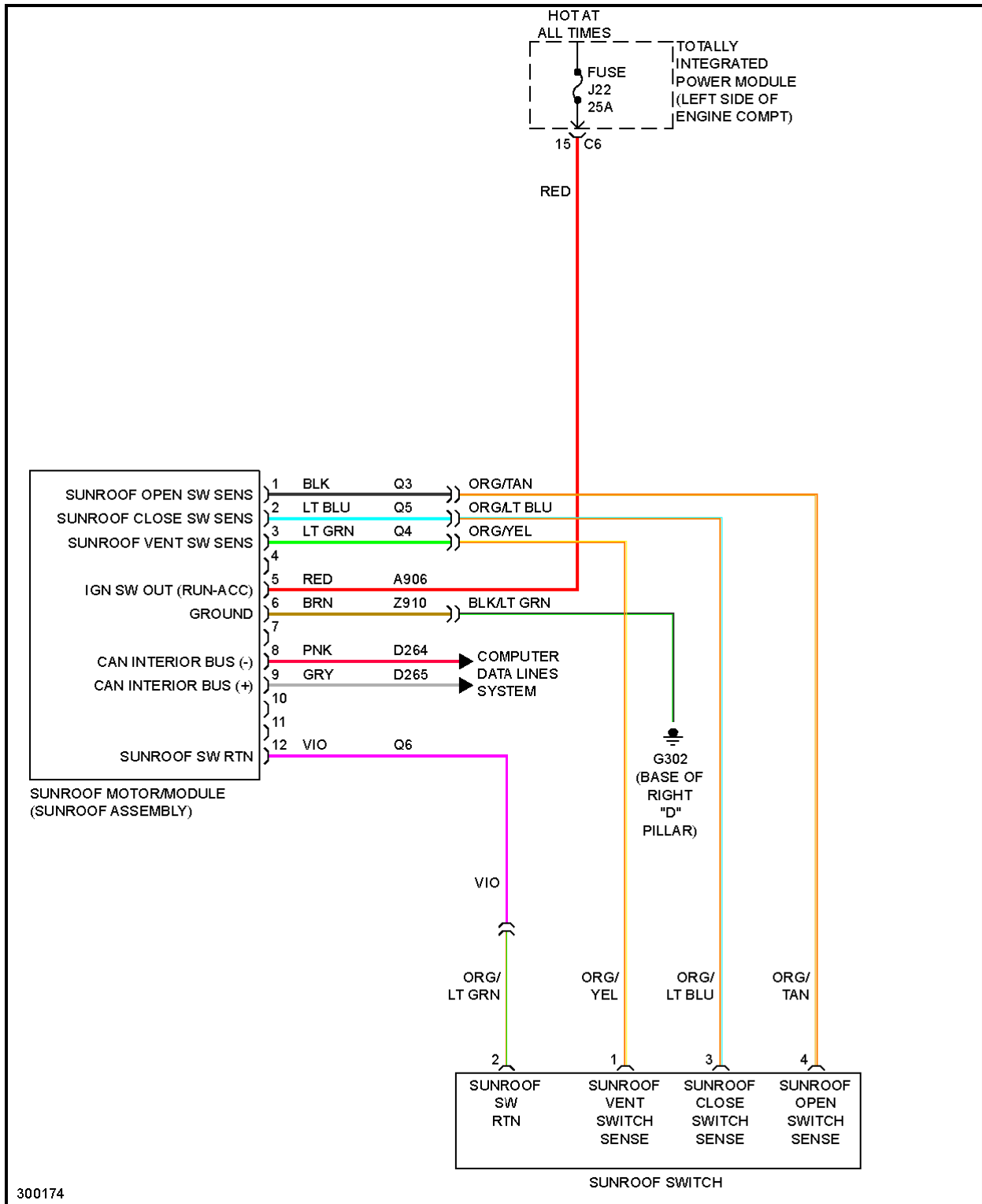
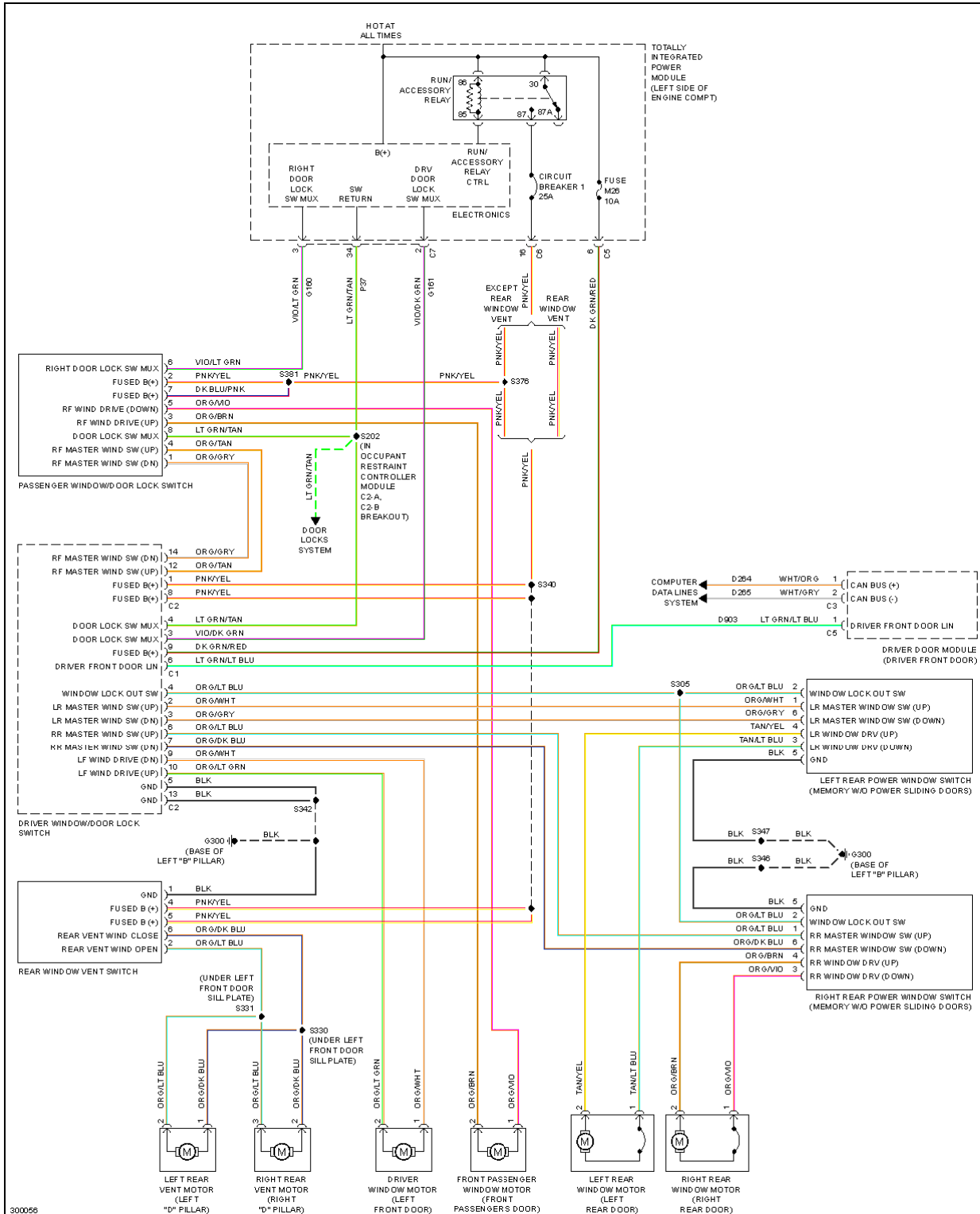


Fig. 67: Power Top/Sunroof Circuit

POWER WINDOWS

2009 Dodge Grand Caravan SE

2009 SYSTEM WIRING DIAGRAMS Dodge - Grand Caravan



2009 Dodge Grand Caravan SE

2009 SYSTEM WIRING DIAGRAMS Dodge - Grand Caravan

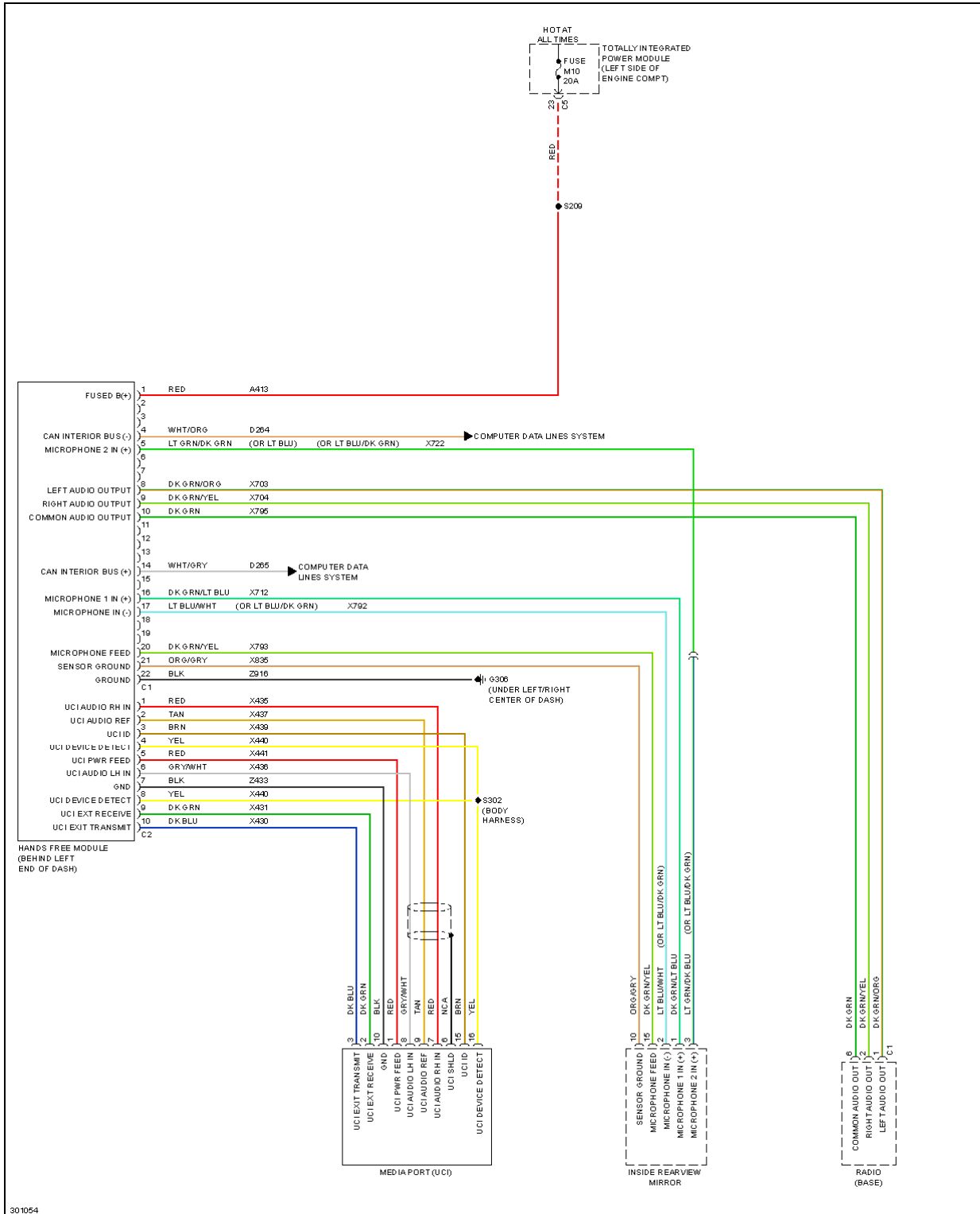
Fig. 68: Power Windows Circuit, Base

Fig. 69: Power Windows Circuit, Except Base

RADIO

2009 Dodge Grand Caravan SE

2009 SYSTEM WIRING DIAGRAMS Dodge - Grand Caravan



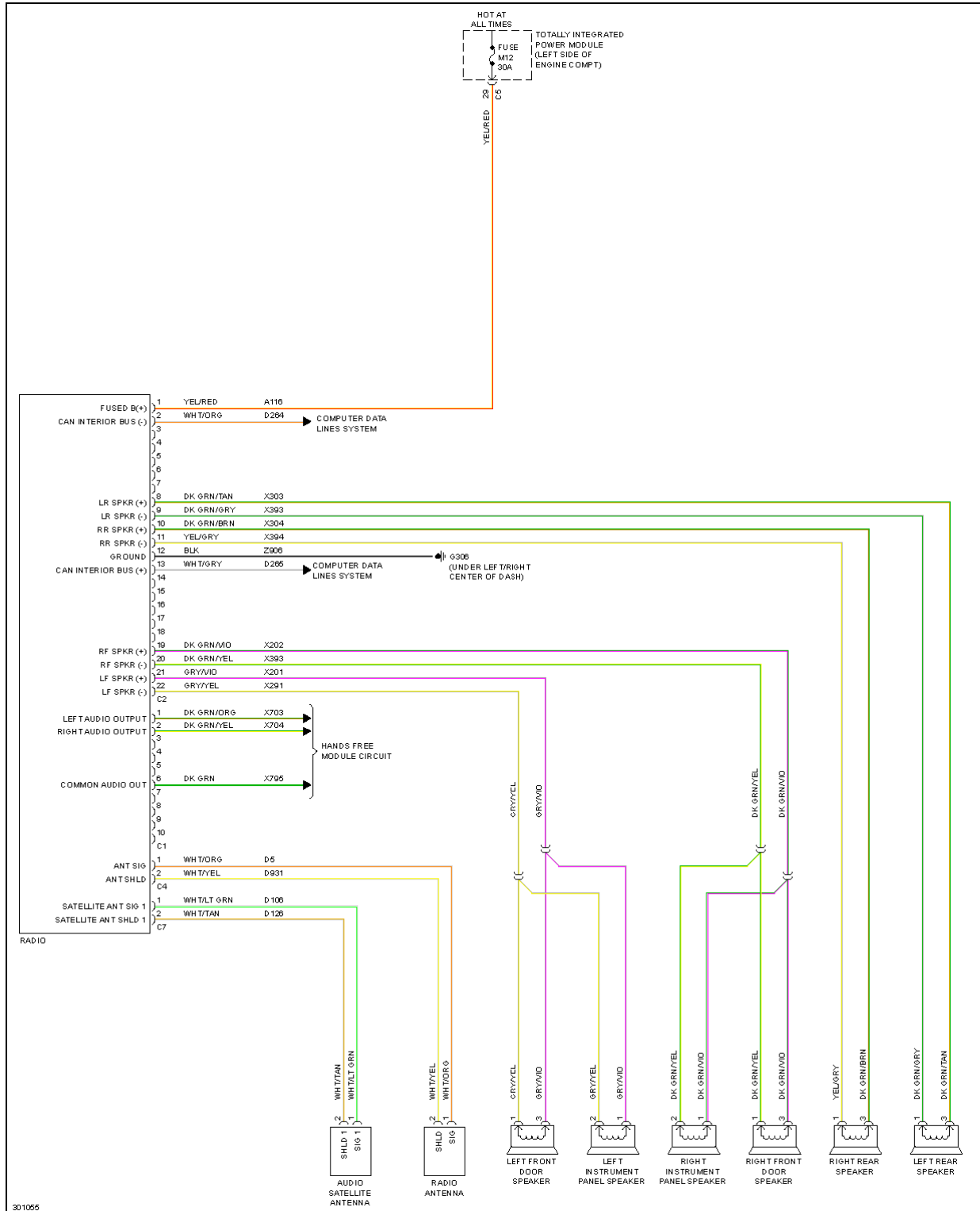
2009 Dodge Grand Caravan SE

2009 SYSTEM WIRING DIAGRAMS Dodge - Grand Caravan

Fig. 70: Hands Free Module Circuit

2009 Dodge Grand Caravan SE

2009 SYSTEM WIRING DIAGRAMS Dodge - Grand Caravan



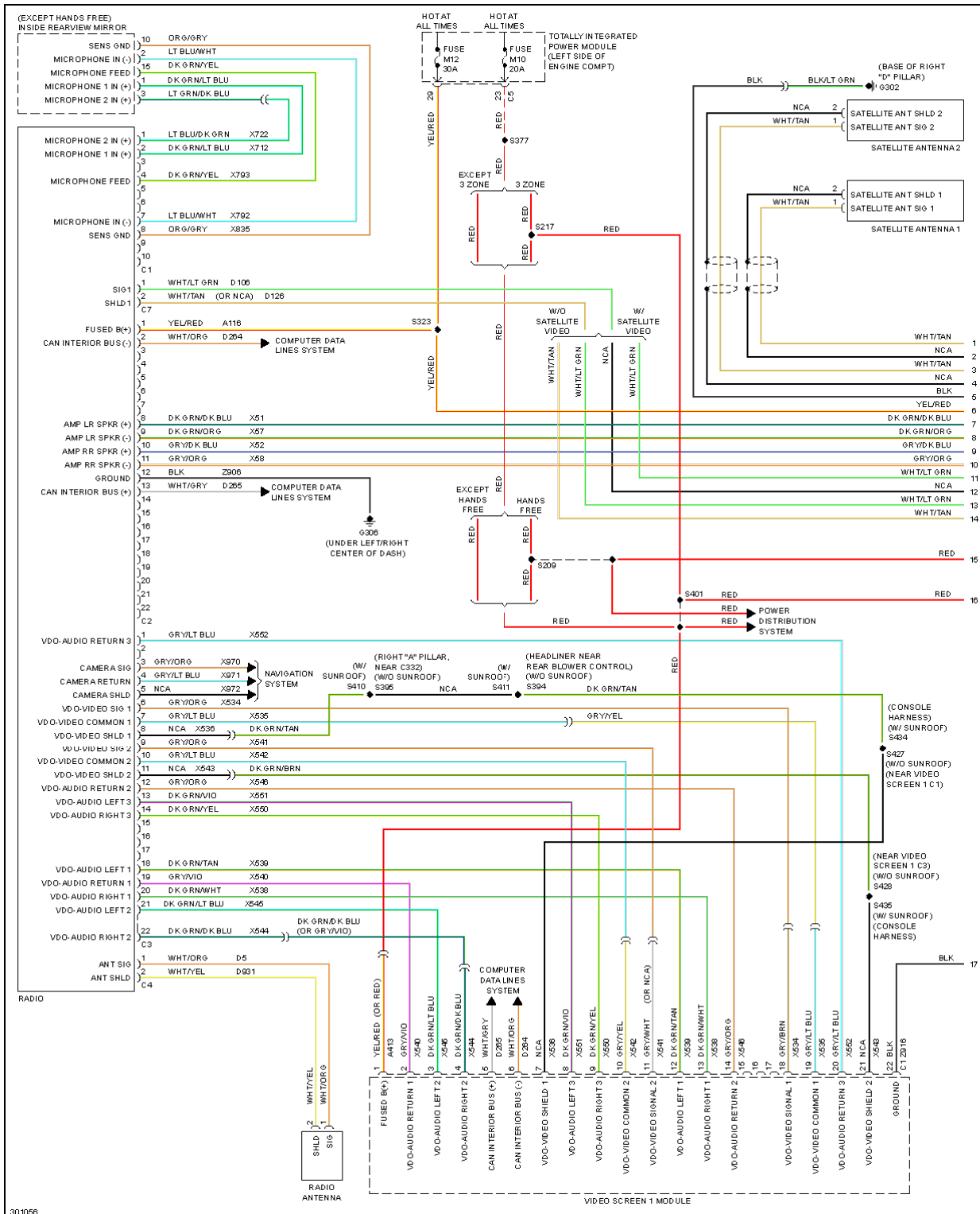
2009 Dodge Grand Caravan SE

2009 SYSTEM WIRING DIAGRAMS Dodge - Grand Caravan

Fig. 71: Radio Circuit, Base

2009 Dodge Grand Caravan SE

2009 SYSTEM WIRING DIAGRAMS Dodge - Grand Caravan



2009 Dodge Grand Caravan SE

2009 SYSTEM WIRING DIAGRAMS Dodge - Grand Caravan

Fig. 72: Radio Circuit, Premium W/ Dual DVD (1 of 4)

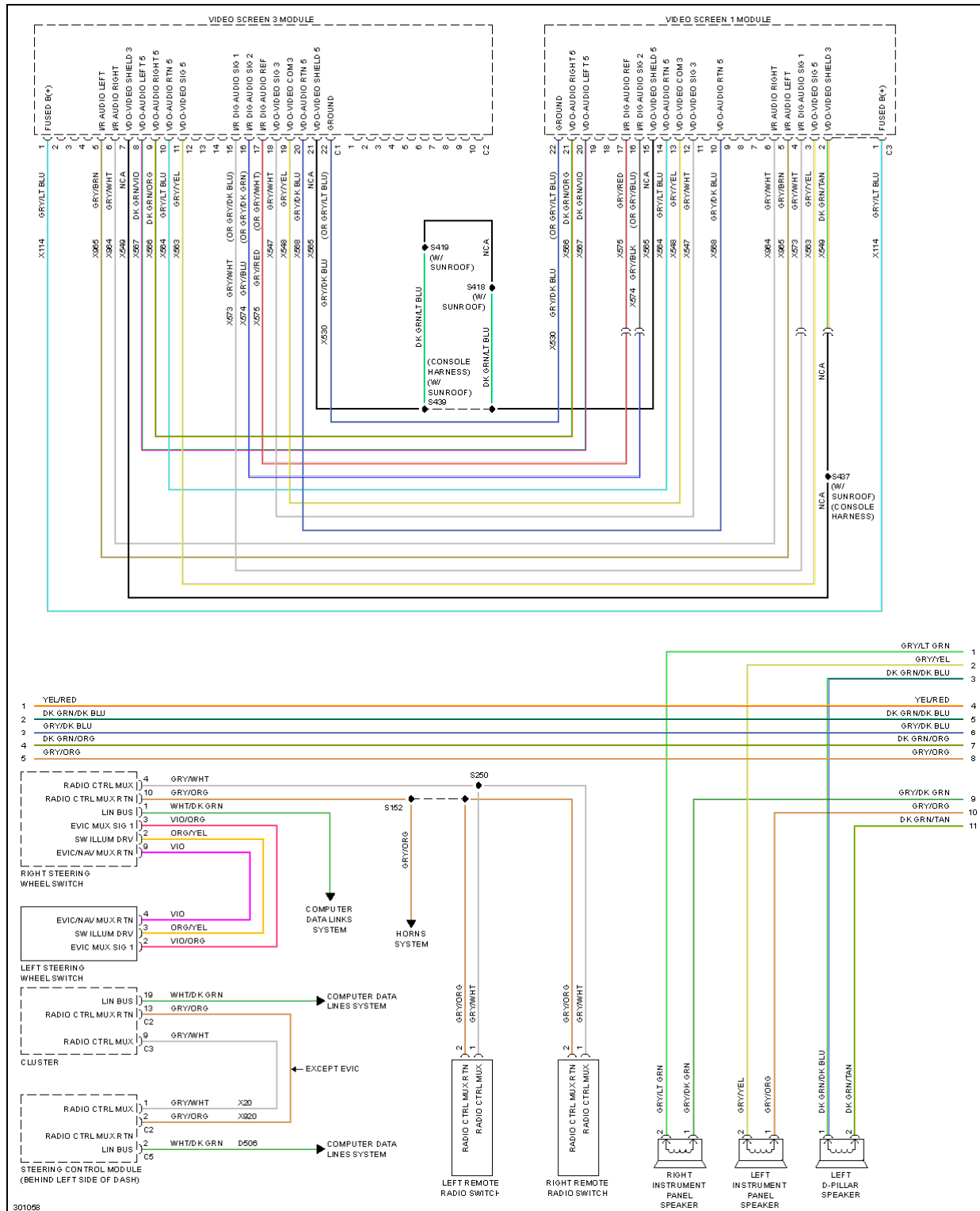
2009 Dodge Grand Caravan SE

2009 SYSTEM WIRING DIAGRAMS Dodge - Grand Caravan

Fig. 73: Radio Circuit, Premium W/ Dual DVD (2 of 4)

2009 Dodge Grand Caravan SE

2009 SYSTEM WIRING DIAGRAMS Dodge - Grand Caravan



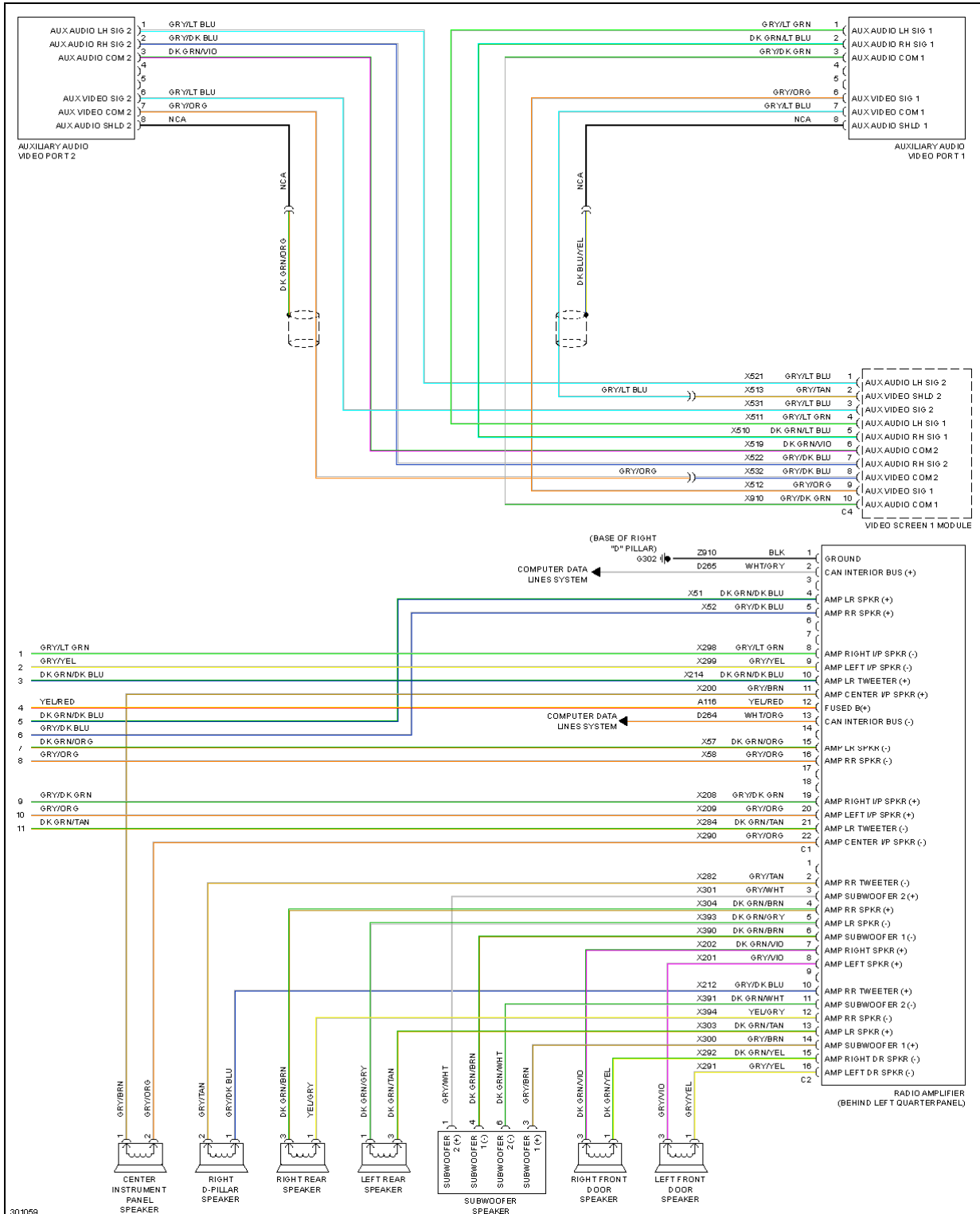
2009 Dodge Grand Caravan SE

2009 SYSTEM WIRING DIAGRAMS Dodge - Grand Caravan

Fig. 74: Radio Circuit, Premium W/ Dual DVD (3 of 4)

2009 Dodge Grand Caravan SE

2009 SYSTEM WIRING DIAGRAMS Dodge - Grand Caravan



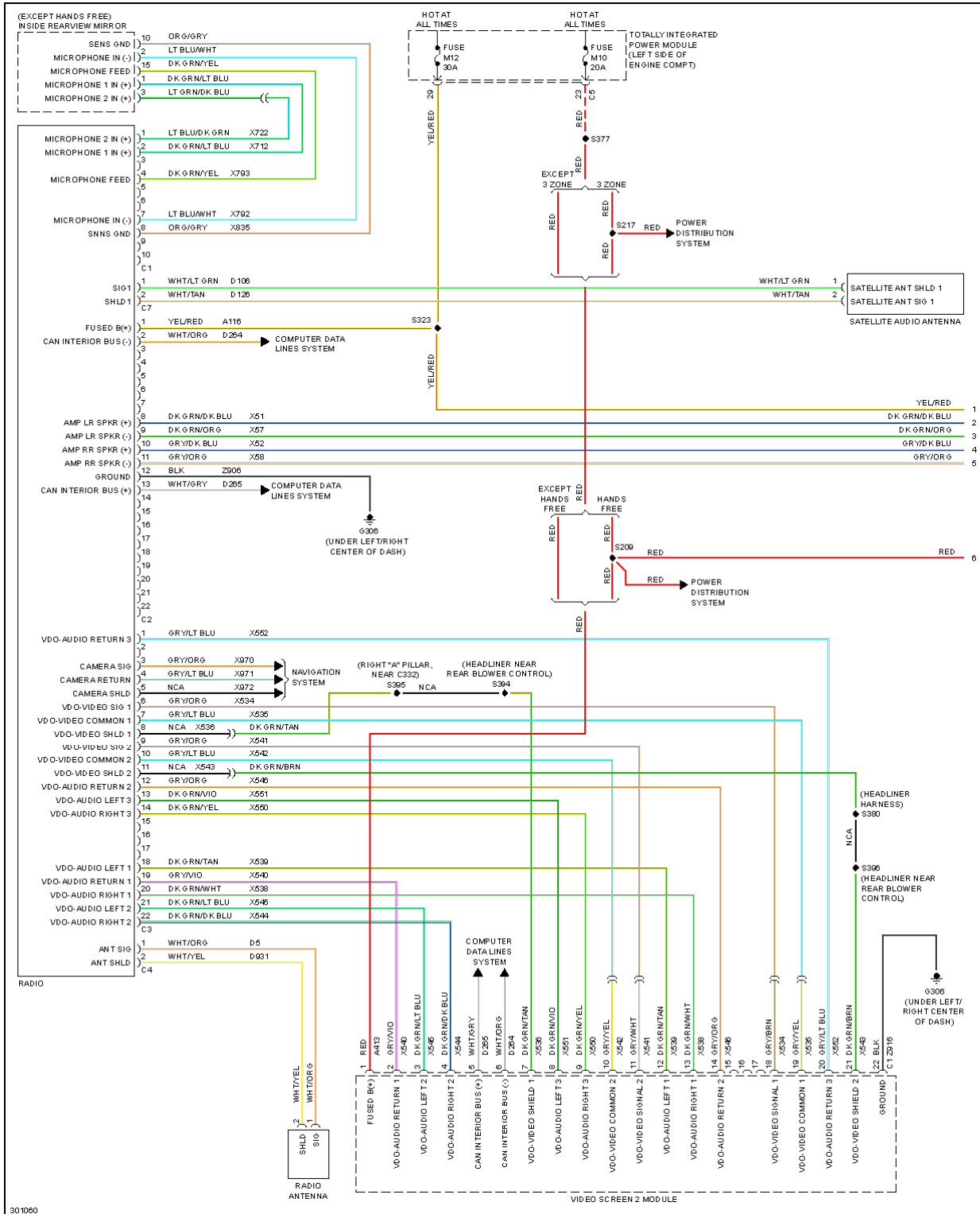
2009 Dodge Grand Caravan SE

2009 SYSTEM WIRING DIAGRAMS Dodge - Grand Caravan

Fig. 75: Radio Circuit, Premium W/ Dual DVD (4 of 4)

2009 Dodge Grand Caravan SE

2009 SYSTEM WIRING DIAGRAMS Dodge - Grand Caravan



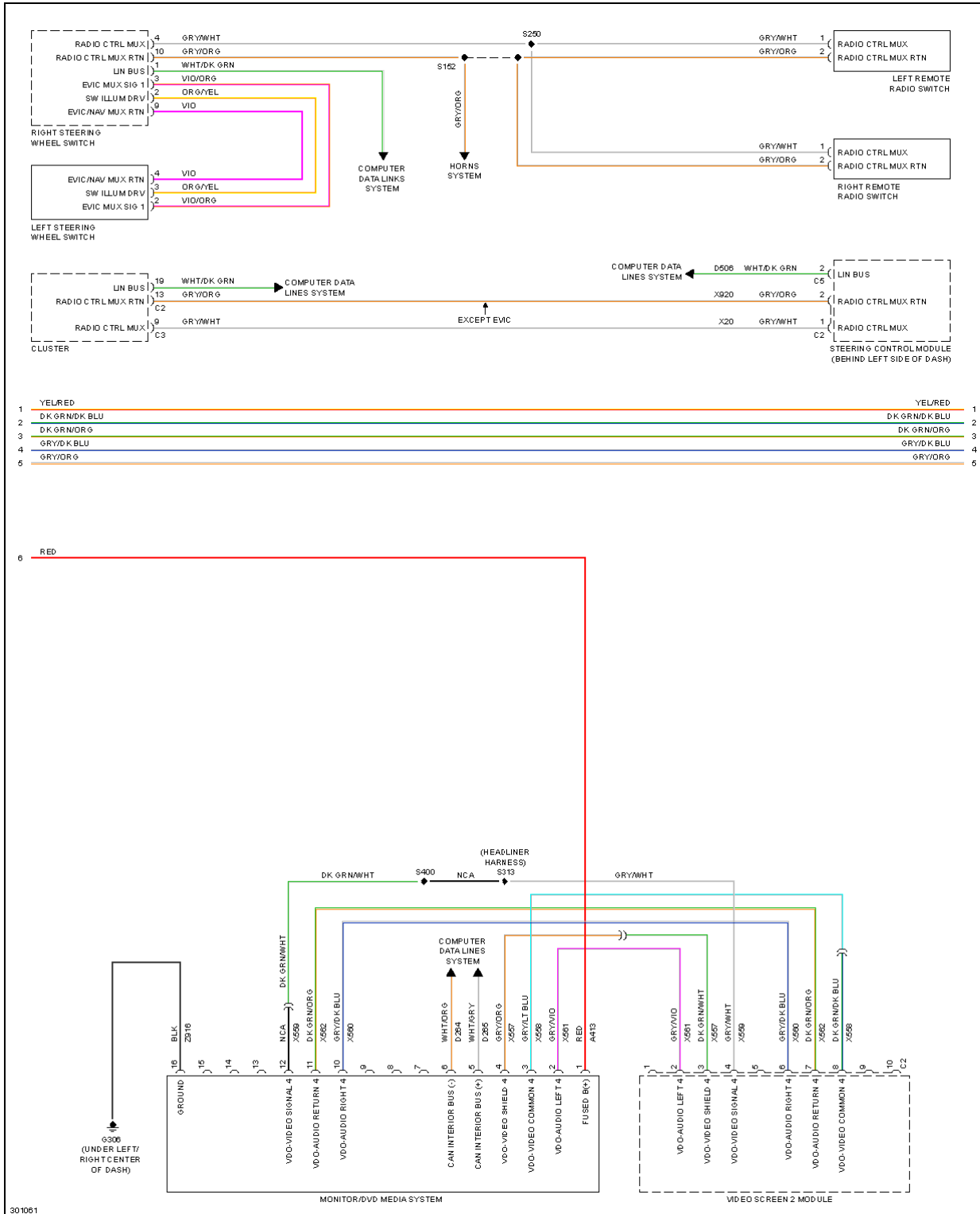
2009 Dodge Grand Caravan SE

2009 SYSTEM WIRING DIAGRAMS Dodge - Grand Caravan

Fig. 76: Radio Circuit, Premium W/O Dual DVD (1 of 3)

2009 Dodge Grand Caravan SE

2009 SYSTEM WIRING DIAGRAMS Dodge - Grand Caravan



2009 Dodge Grand Caravan SE

2009 SYSTEM WIRING DIAGRAMS Dodge - Grand Caravan

Fig. 77: Radio Circuit, Premium W/O Dual DVD (2 of 3)

2009 Dodge Grand Caravan SE

2009 SYSTEM WIRING DIAGRAMS Dodge - Grand Caravan

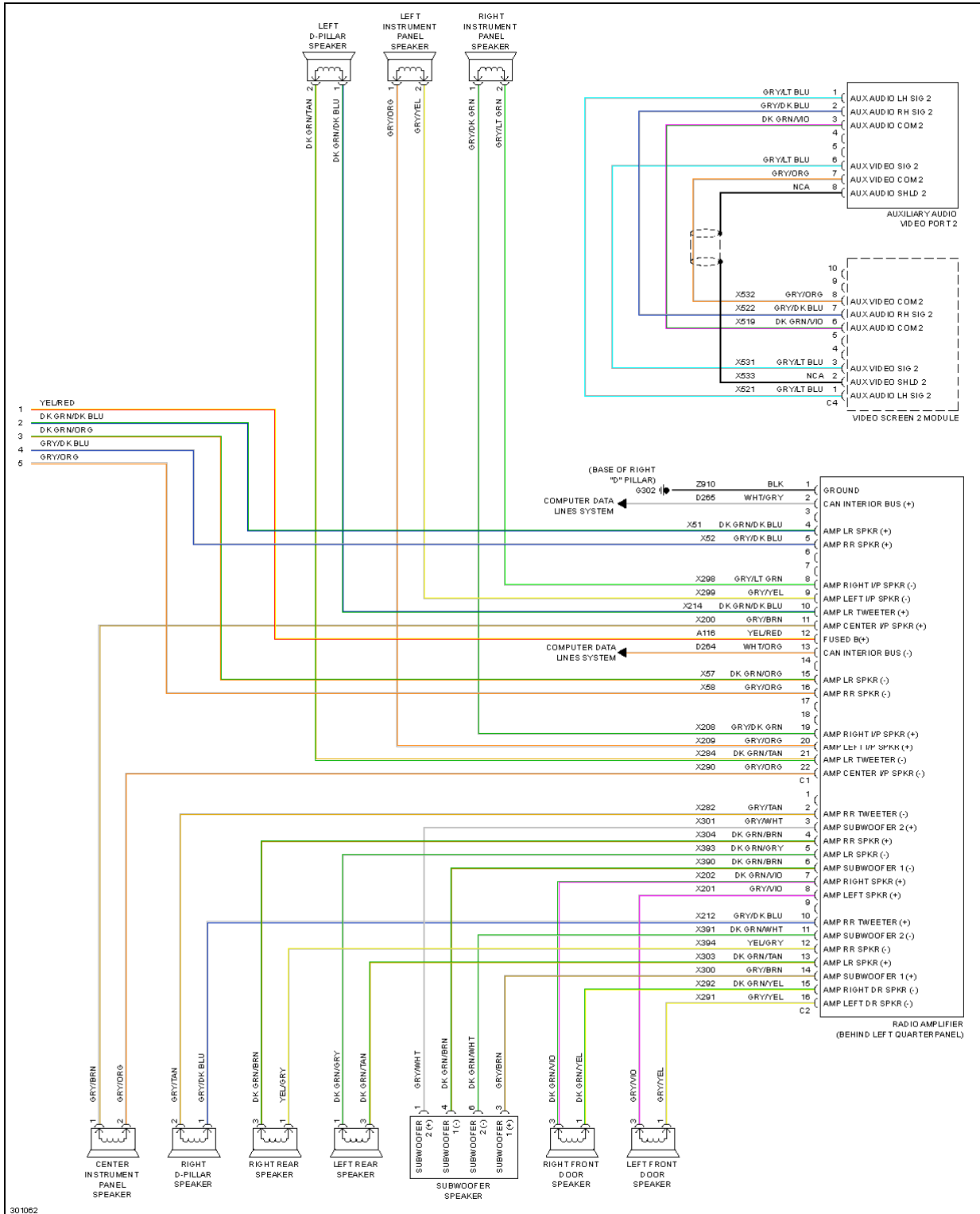


Fig. 78: Radio Circuit, Premium W/O Dual DVD (3 of 3)

SHIFT INTERLOCK

2009 Dodge Grand Caravan SE

2009 SYSTEM WIRING DIAGRAMS Dodge - Grand Caravan

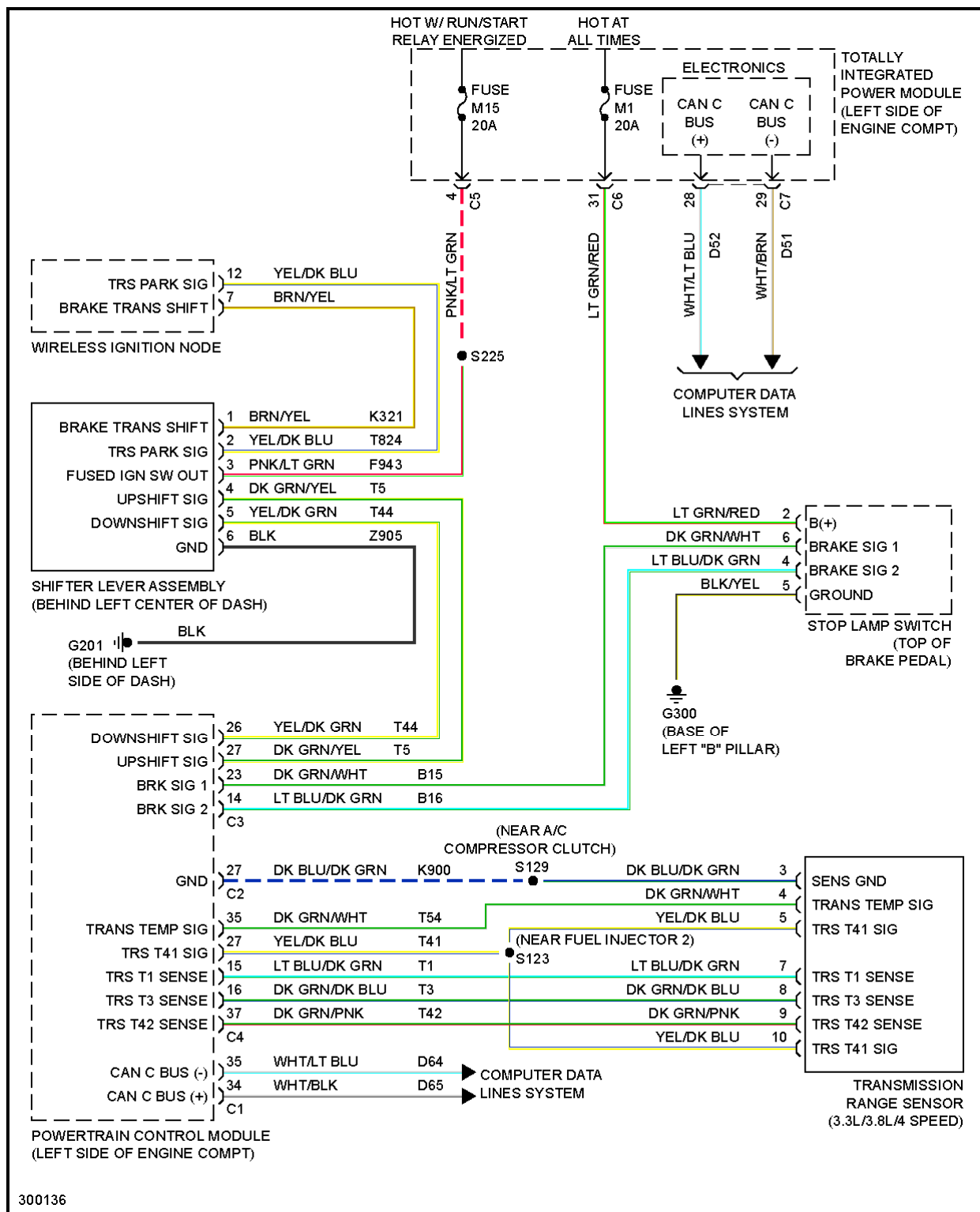
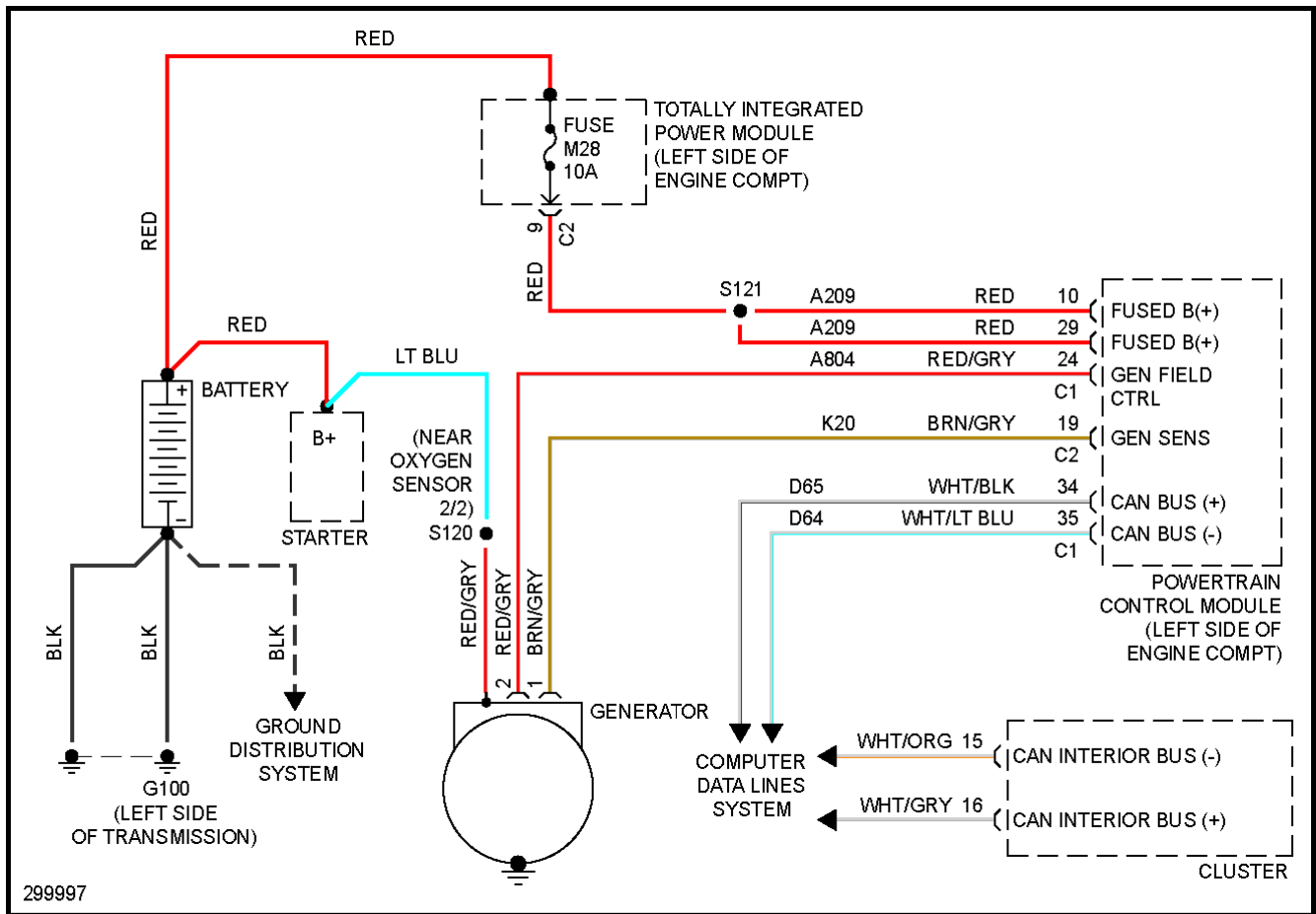


Fig. 79: Shift Interlock Circuit

STARTING/CHARGING

2009 Dodge Grand Caravan SE

2009 SYSTEM WIRING DIAGRAMS Dodge - Grand Caravan



2009 Dodge Grand Caravan SE

2009 SYSTEM WIRING DIAGRAMS Dodge - Grand Caravan

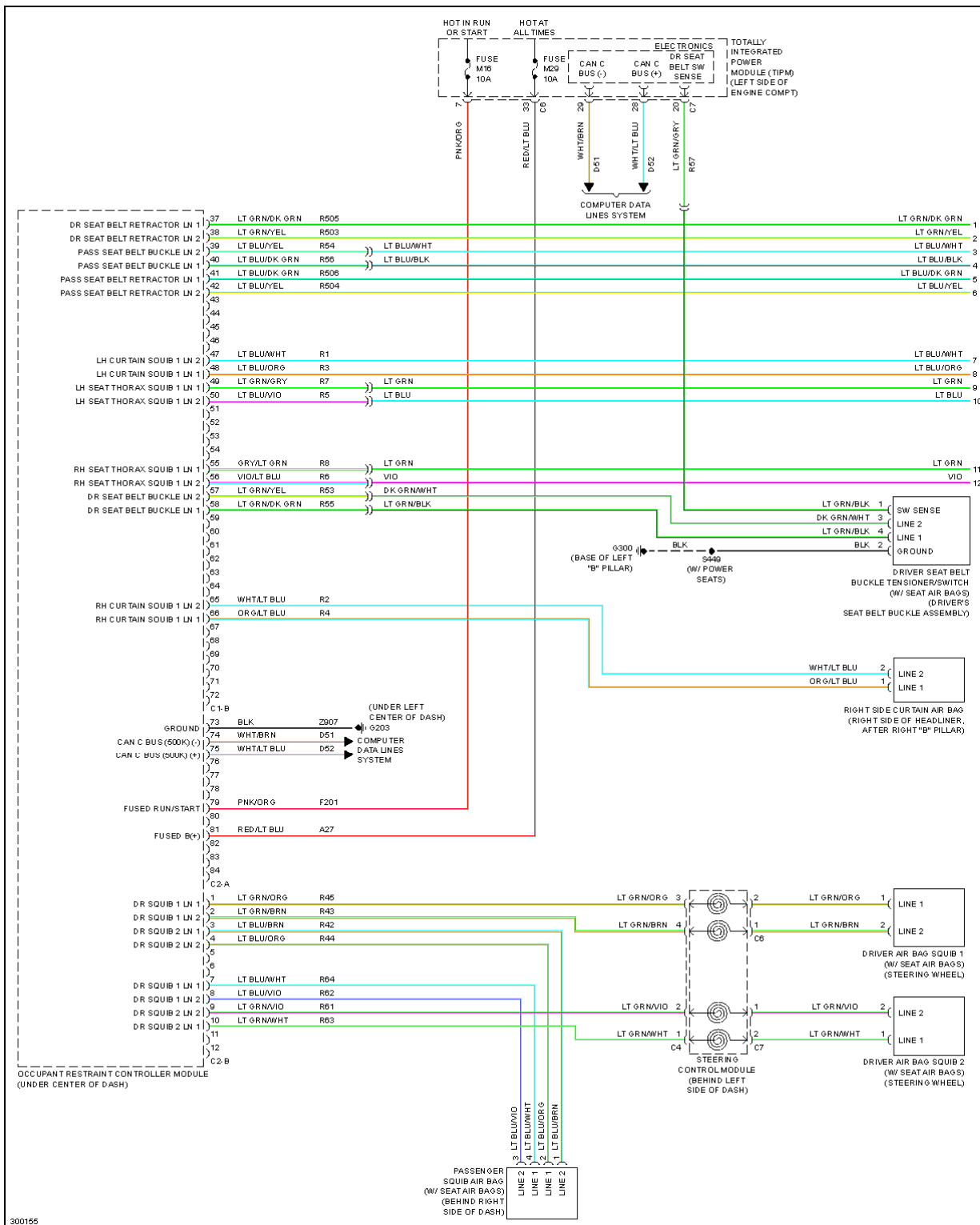
Fig. 80: Charging Circuit

Fig. 81: Starting Circuit

SUPPLEMENTAL RESTRAINTS

2009 Dodge Grand Caravan SE

2009 SYSTEM WIRING DIAGRAMS Dodge - Grand Caravan



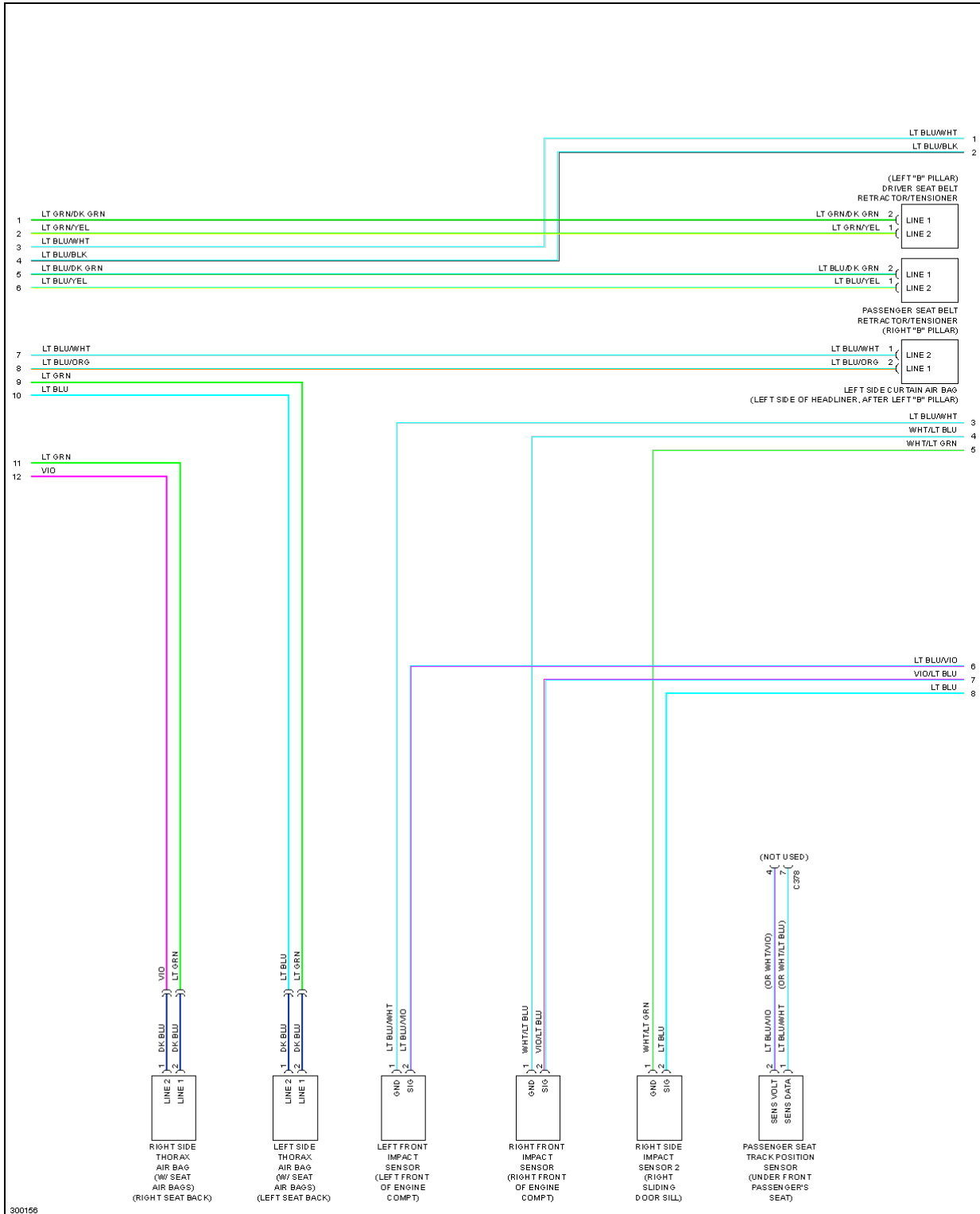
2009 Dodge Grand Caravan SE

2009 SYSTEM WIRING DIAGRAMS Dodge - Grand Caravan

Fig. 82: Supplemental Restraints Circuit (1 of 3)

2009 Dodge Grand Caravan SE

2009 SYSTEM WIRING DIAGRAMS Dodge - Grand Caravan



2009 Dodge Grand Caravan SE

2009 SYSTEM WIRING DIAGRAMS Dodge - Grand Caravan

Fig. 83: Supplemental Restraints Circuit (2 of 3)

2009 Dodge Grand Caravan SE

2009 SYSTEM WIRING DIAGRAMS Dodge - Grand Caravan

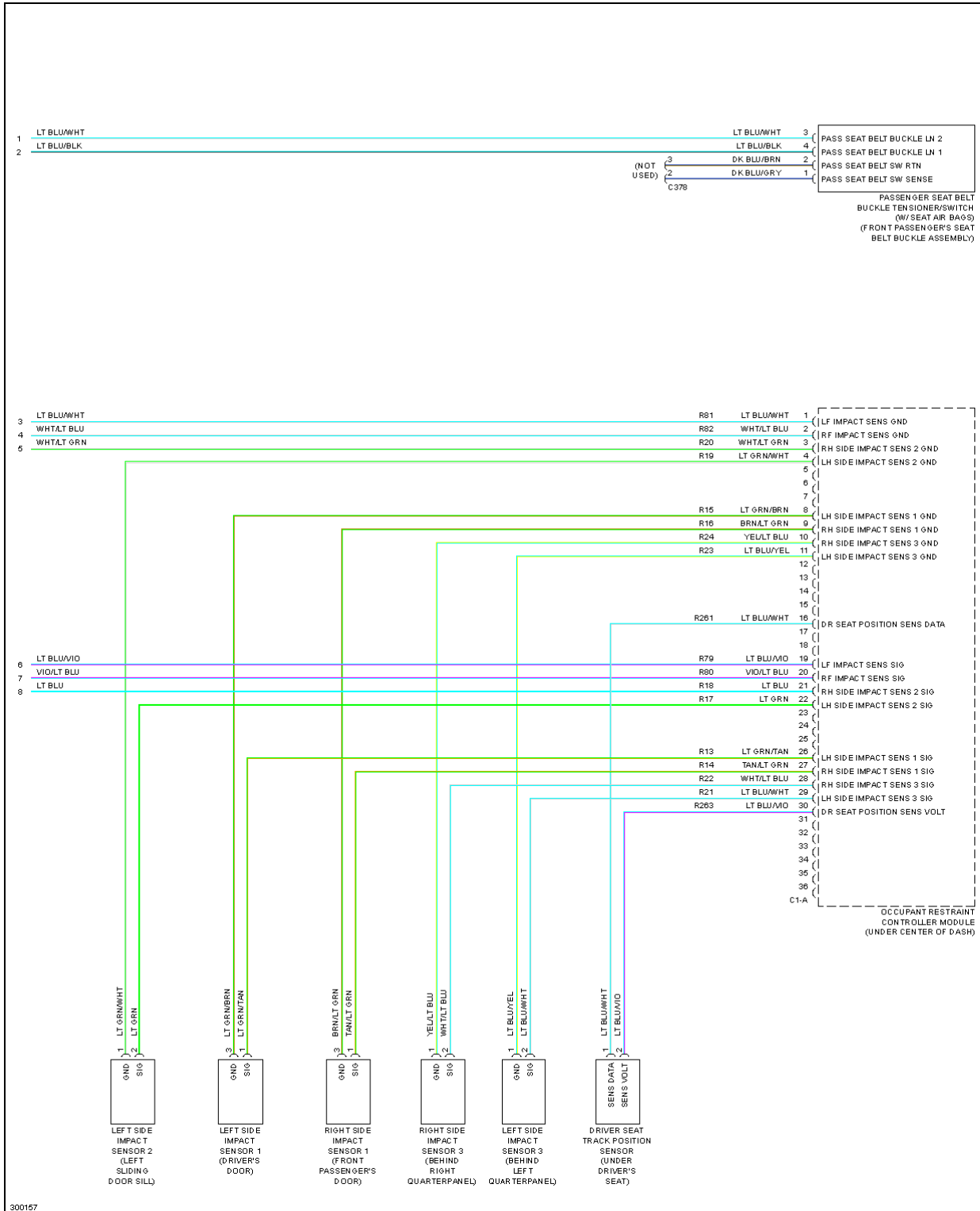


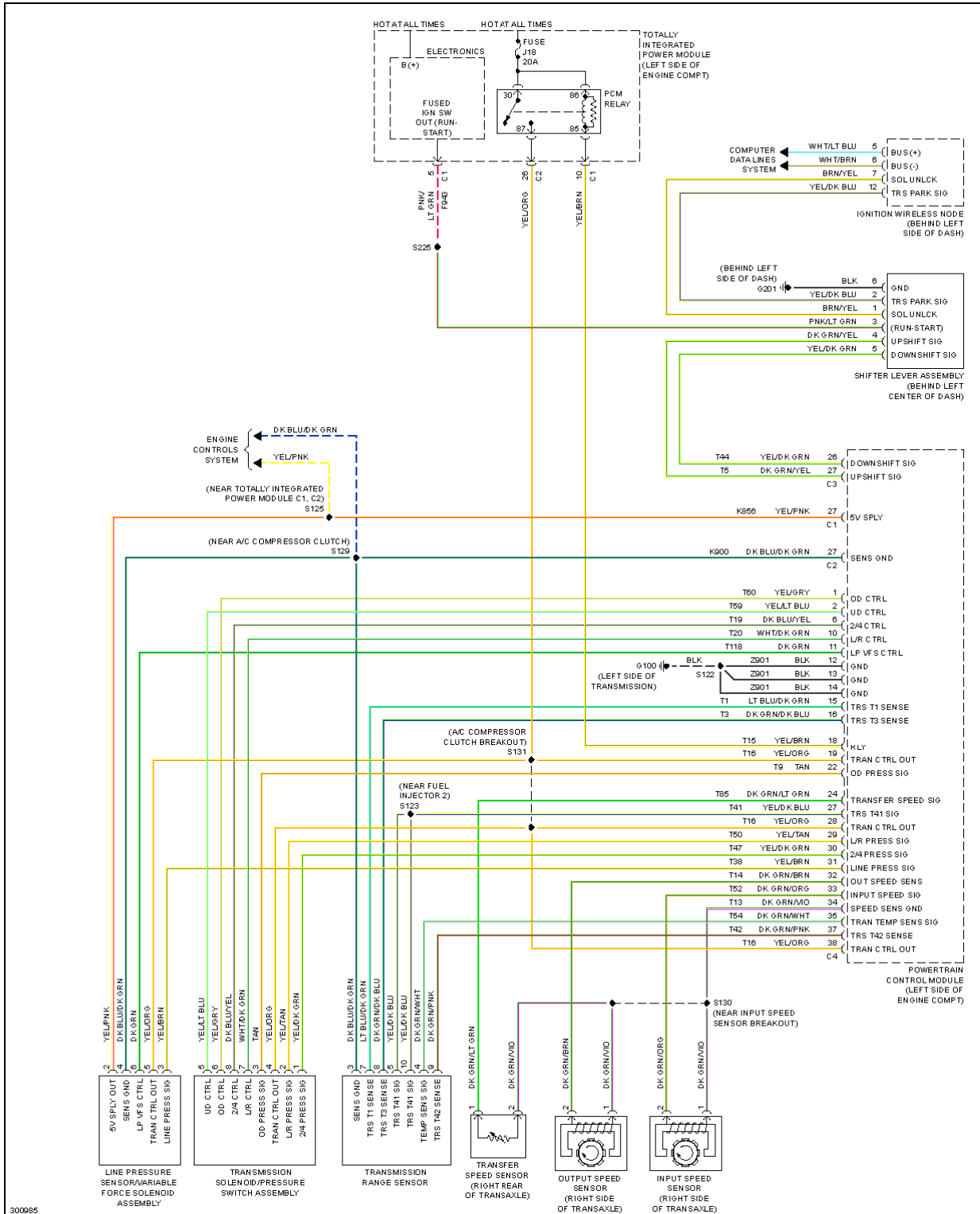
Fig. 84: Supplemental Restraints Circuit (3 of 3)

TRANSMISSION

3.3L FLEX FUEL

2009 Dodge Grand Caravan SE

2009 SYSTEM WIRING DIAGRAMS Dodge - Grand Caravan



2009 Dodge Grand Caravan SE

2009 SYSTEM WIRING DIAGRAMS Dodge - Grand Caravan

Fig. 85: 3.3L Flex Fuel, Transmission Circuit, 4 Speed

2009 Dodge Grand Caravan SE

2009 SYSTEM WIRING DIAGRAMS Dodge - Grand Caravan

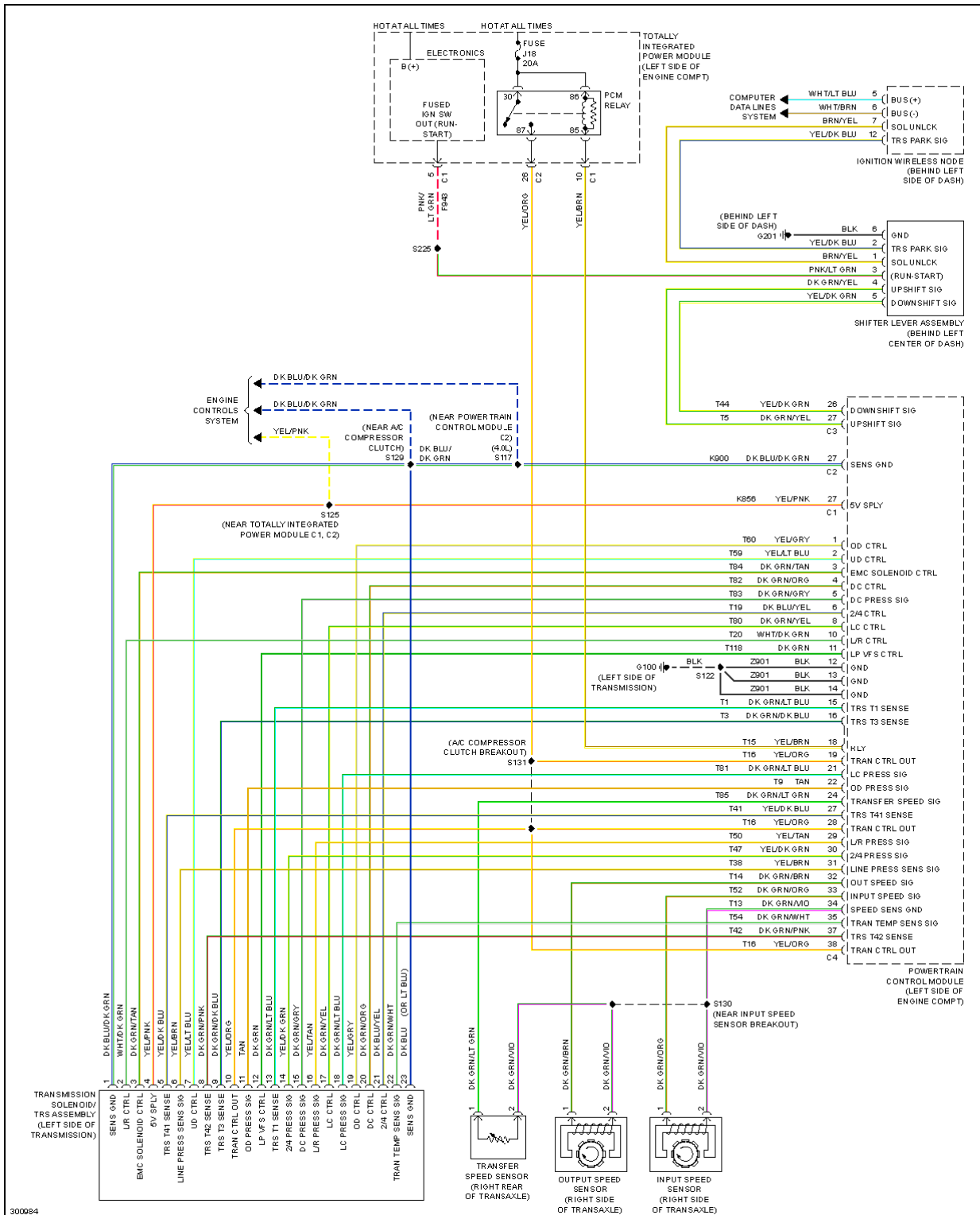


Fig. 86: 3.3L Flex Fuel, Transmission Circuit, 6 Speed

3.8L

2009 Dodge Grand Caravan SE

2009 SYSTEM WIRING DIAGRAMS Dodge - Grand Caravan

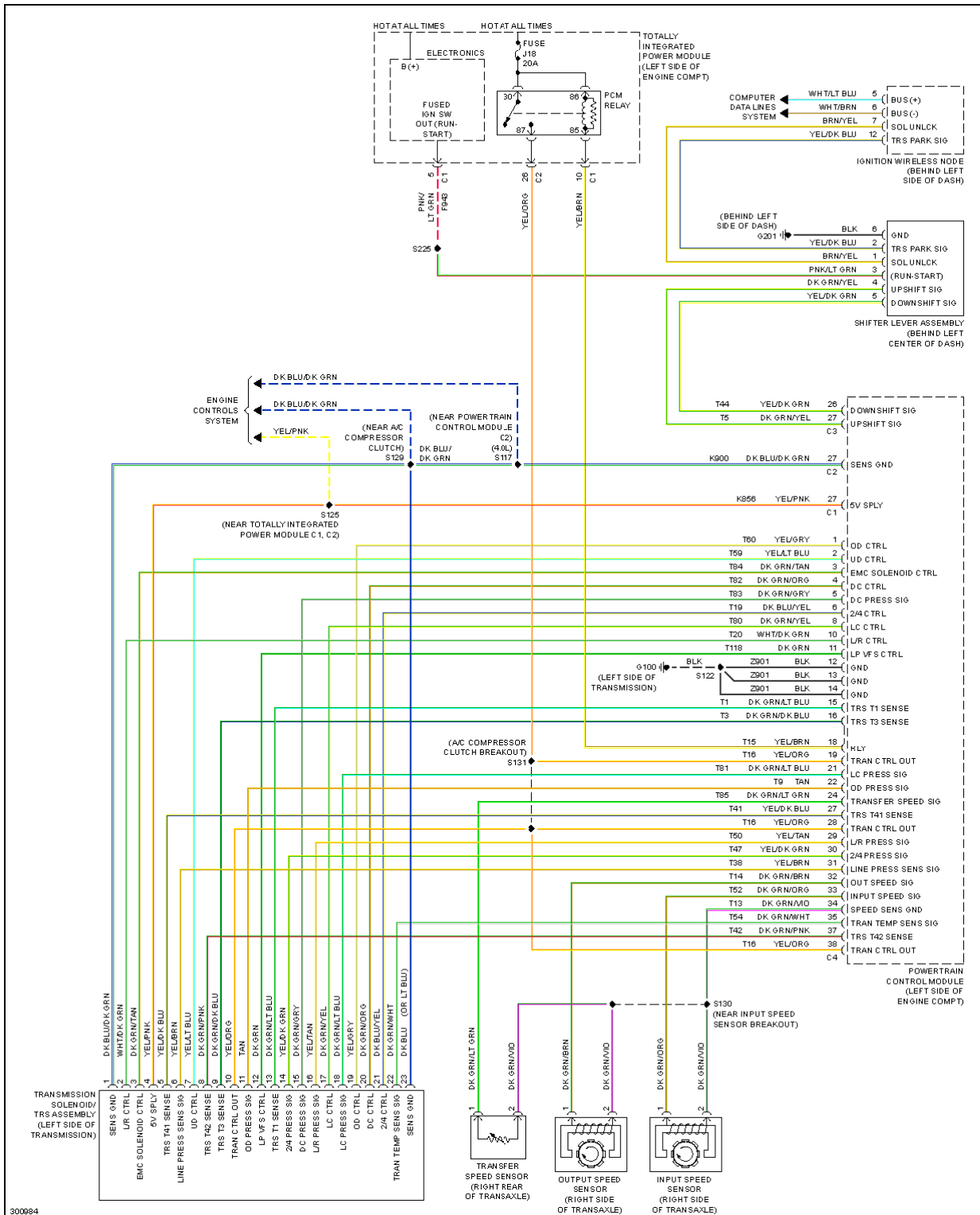


Fig. 87: 3.8L, Transmission Circuit, 6 Speed

4.0L

2009 Dodge Grand Caravan SE

2009 SYSTEM WIRING DIAGRAMS Dodge - Grand Caravan

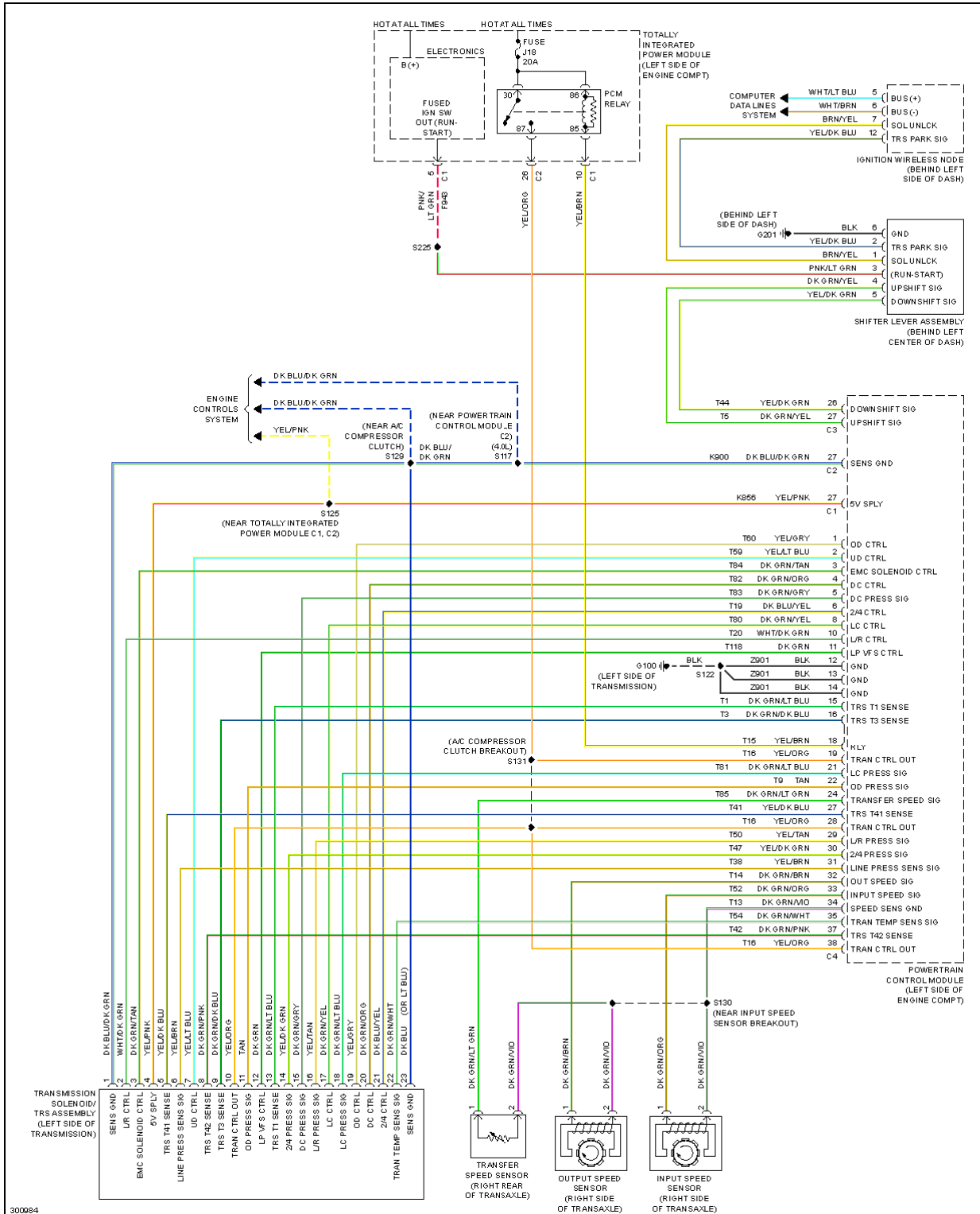
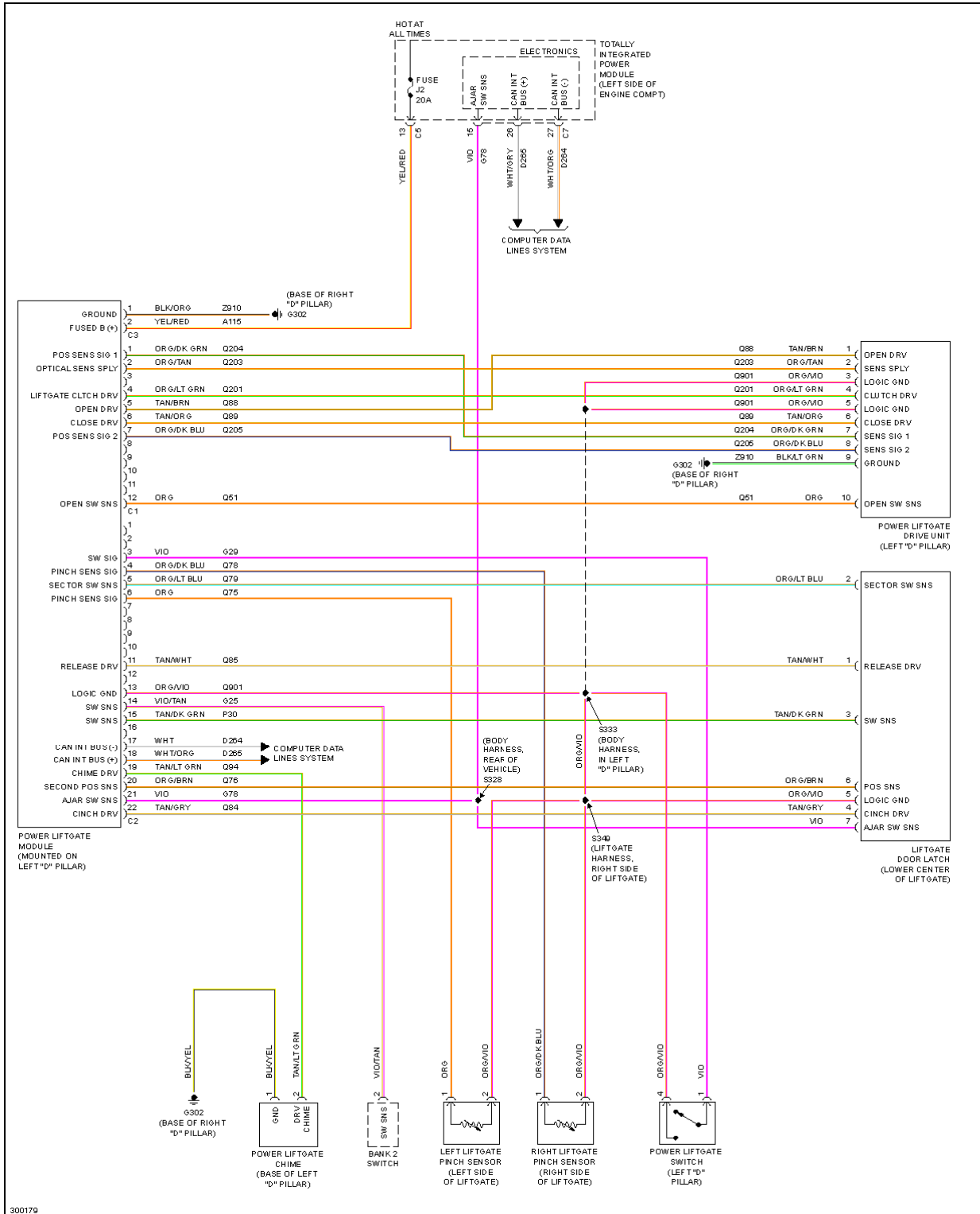


Fig. 88: 4.0L, Transmission Circuit

TRUNK, TAILGATE, FUEL DOOR

2009 Dodge Grand Caravan SE

2009 SYSTEM WIRING DIAGRAMS Dodge - Grand Caravan



2009 Dodge Grand Caravan SE

2009 SYSTEM WIRING DIAGRAMS Dodge - Grand Caravan

Fig. 89: Power Liftgate Circuit

2009 Dodge Grand Caravan SE

2009 SYSTEM WIRING DIAGRAMS Dodge - Grand Caravan

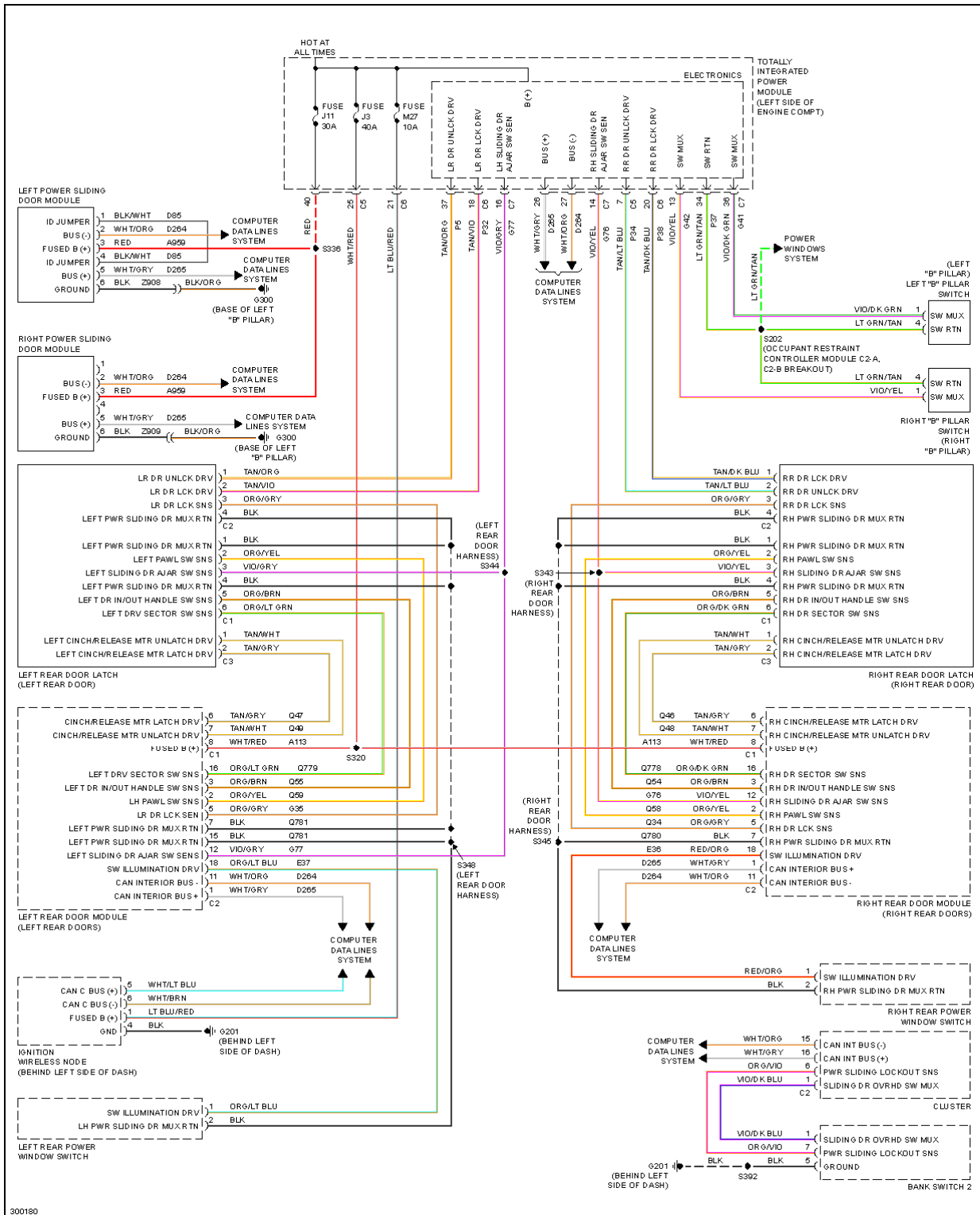
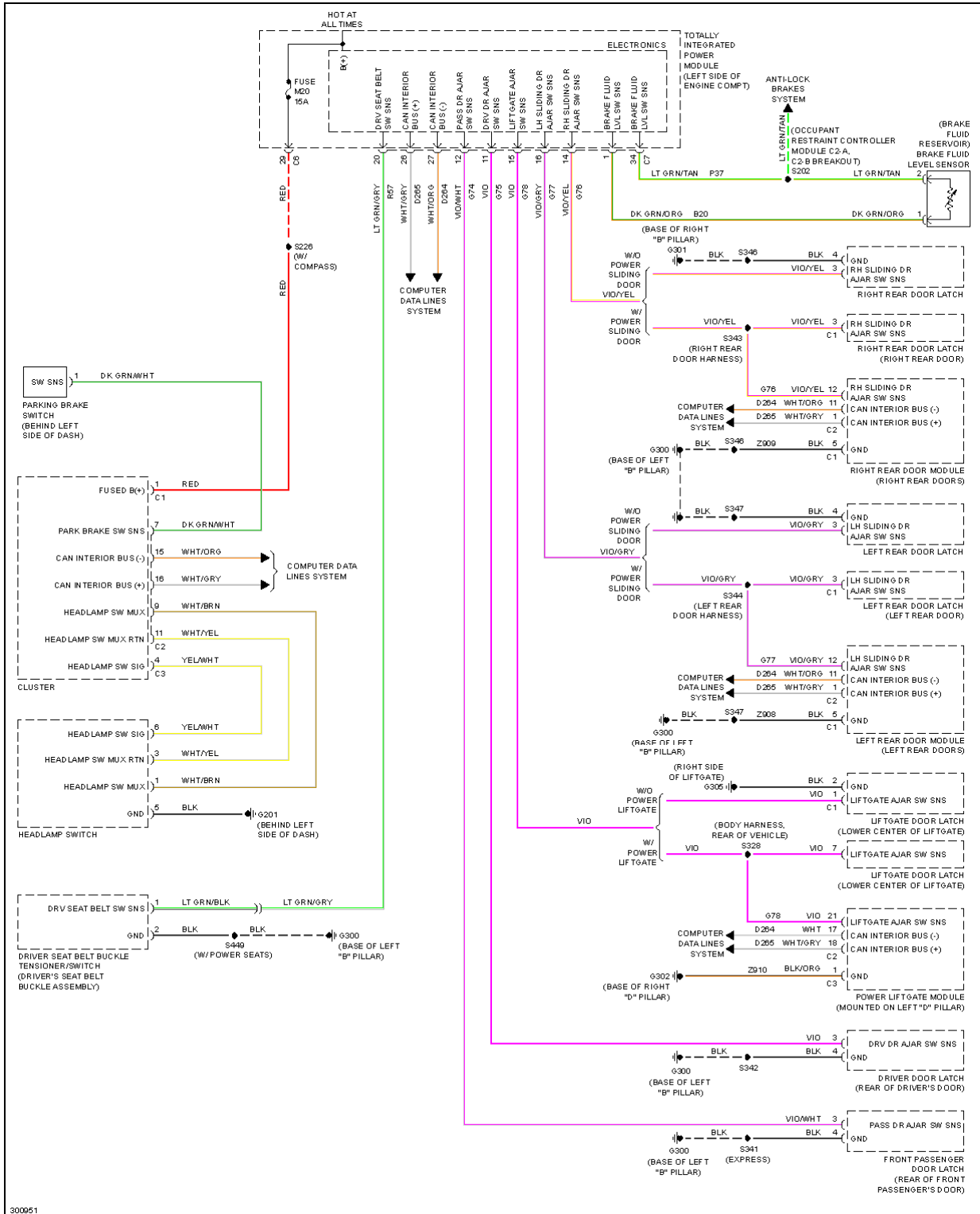


Fig. 90: Power Sliding Door Circuit

WARNING SYSTEMS

2009 Dodge Grand Caravan SE

2009 SYSTEM WIRING DIAGRAMS Dodge - Grand Caravan



2009 Dodge Grand Caravan SE

2009 SYSTEM WIRING DIAGRAMS Dodge - Grand Caravan

Fig. 91: Chime Circuit

2009 Dodge Grand Caravan SE

2009 SYSTEM WIRING DIAGRAMS Dodge - Grand Caravan

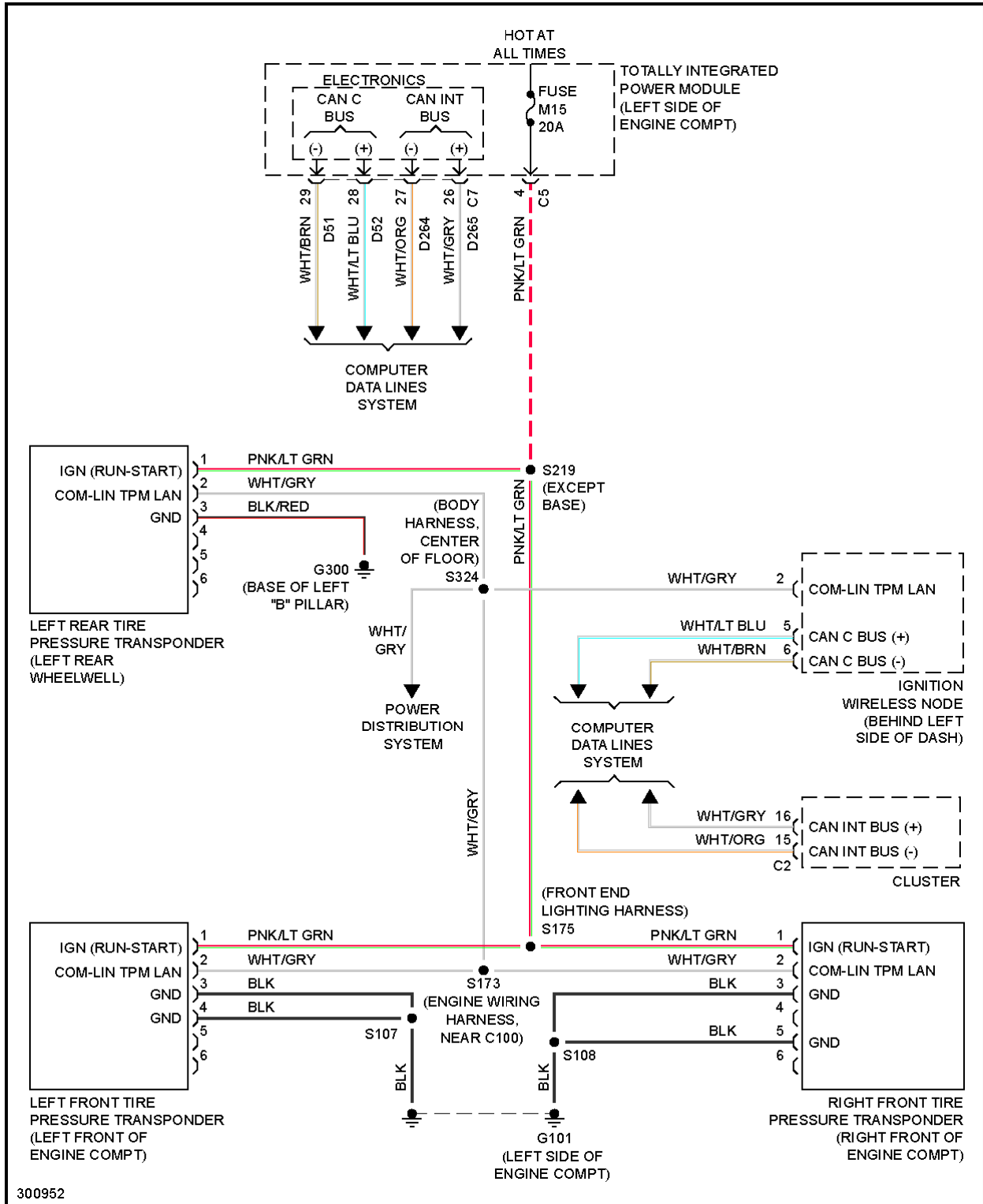


Fig. 92: Tire Pressure Monitoring Circuit

WIPER/WASHER

2009 Dodge Grand Caravan SE

2009 SYSTEM WIRING DIAGRAMS Dodge - Grand Caravan

Fig. 93: Wiper/Washer Circuit