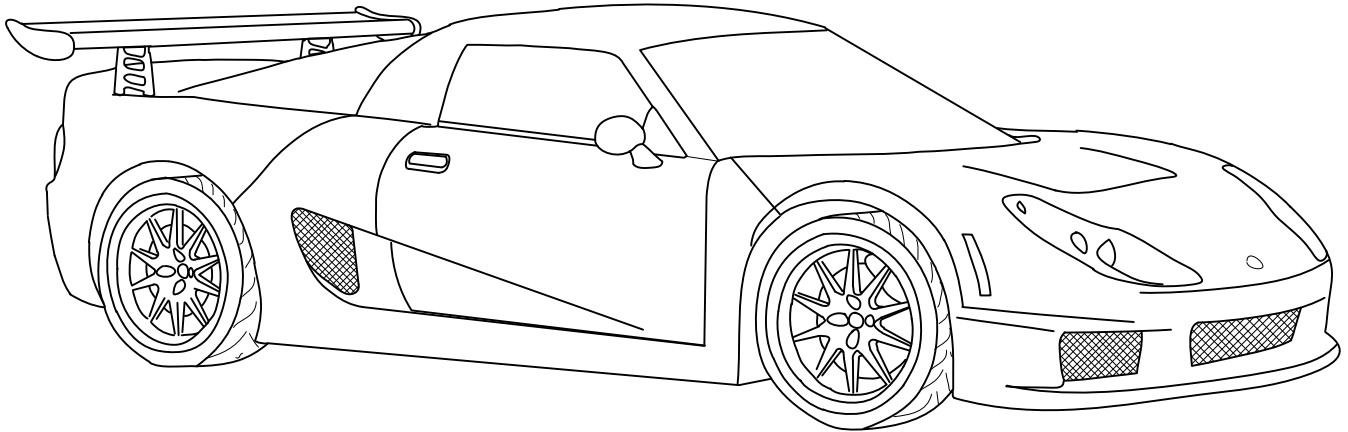


# ROSSION Q1 ELECTRICS



PAGE	DESCRIPTION
2	OVERVIEW
3	PDC
4	POWER DISTRIBUTION
5	STARTING - CHARGING
6	FUSE 1 POWER OUTLET - FUSE 2 HAZARDLAMPS
7	FUSE 3 DOME - FUSE 4 ANTI-THEFT UPGRADE TO BE INTRODUCED
8	FUSE 3 CURRENT ANTI-THEFT
9	FUSE 5 HORNS - INSTRUMENT AND SWITCH ILLUMINATION
10	FUSES 6, 7, 19 HVAC
11	FUSES 10, 24 ACCESSORY SUPPLY FRONT - FUSES 11, 25 ACCESSORY SUPPLY REAR
12	FUSE 12 POWER MIRRORS - AUDIO/VISUAL
13	FUSES 13, 14 SIDELIGHTS - FUSE 15, 16, 23, 29, 30 HEADLIGHTS
14	FUSE 17 TURN - FUSE 18 BRAKE LIGHTS
15	FUSE 20 WIPER/WASHER
16	FUSE 21 METER, REVERSE LIGHTS, CAMERA
17	FUSE 26 FUEL PUMP - FUSE 31, 32 FOG LIGHTS FRONT AND REAR
18	WINDOW SWITCHES - DOOR LOCK SWITCHES
19	WINDOW RELAYS, MOTORS
20	COOLING SYSTEM
21	METER
22	CONNECTORS: IGNITION SWITCH - HEADLIGHT SWITCH
23	CONNECTORS: WIPER/WASHER SWITCH - TURN SWITCH
24	CONNECTORS: WINDOW SWITCH - DEMIST SWITCH
25	CONNECTORS: RECIRCULATION SWITCH - HAZARD SWITCH
26	CONNECTORS: DOOR LOCK SWITCH - DOOR LOCK MOTOR - CLOCKSPrING - BLOWER
27	CONNECTORS: A/C SWITCH

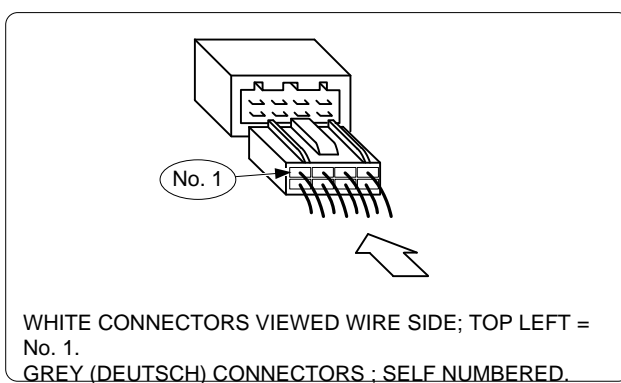
### BREAKOUTS

1	R H LIGHTING	31 *	CENTRE CONSOLE SW.
2	R H SIDE MARKER (USA)	32	BRAKE LIGHT SW.
3	L H LIGHTING	33	WIPE/WASH : HORN
4	LH SIDE MARKER (USA)	34	IGNITION : TURN : DIP
5	HORNS	35	METERS WARNING LIGHTS
6	W WASHER : LO BRAKE FLUID	36	POWER SOCKET (t30)
7	HVAC : RECIRCULATION	37	LIGHTING SWITCH
8	ANTI-THEFT SIREN	38	MIRROR ADJUST SWITCH
9	COOLING FANS	39	R H FENDER TURN (EURO)
10	HVAC : BLOWER MOTOR	40	ENGINE CONTROL UNIT
11	WINDSCREEN WIPER MOTOR	41	STARTER SOLENOID
12	HVAC : HP/LP (PRESSURE) SW	42	MAIN BATT CONNECTOR (t30)
13	VSS SENSOR	43	No. 1 MAXI-FUSE
14	ANTI-THEFT BONNET SW	44	ALTERNATOR
15	ANTI-THEFT ACC. DRIVERS	45	A/C COMPRESSOR
16	VSS INSIDE	46	REAR GROUND (t31)
17	VSS SENSOR CONNECTOR	47	INTERIOR LIGHT
18	FRONT GROUND (t31)	48	FUEL PUMP
19	ANTENNAE AMPLIFIER	49	FUEL LEVEL SENSOR
20	CENTRAL LOCKING RELAY	50	ANTI-THEFT TAMPER SWITCH
21	ANTI-THEFT MODULE	51	REVERSE LIGHT SWITCH
22	R H FENDER TURN (EURO)	52	OPTIONAL POWER (t30 : t15)
23	REVERSE FEED - REAR	53	L H REAR LIGHTING
24	OPTIONAL POWER (t30 : t15)	54	No. PLATE LAMP
25	RH FOOT-LIGHT	55	R H REAR LIGHTING
26	AUDIO - VIDEO	56	WINDOW MOTOR : SPEAKER
27	HVAC T'STAT - DEMIST	57	MIRROR
28	WINDOW-HANBRAKE	58	DOOR LOCK / UNLOCK
29	L H FOOT-LIGHT	59	DOOR LOCK / UNLOCK SERVO
30	ANTI-THEFT STATUS LED	60	DOOR AJAR SWITCH

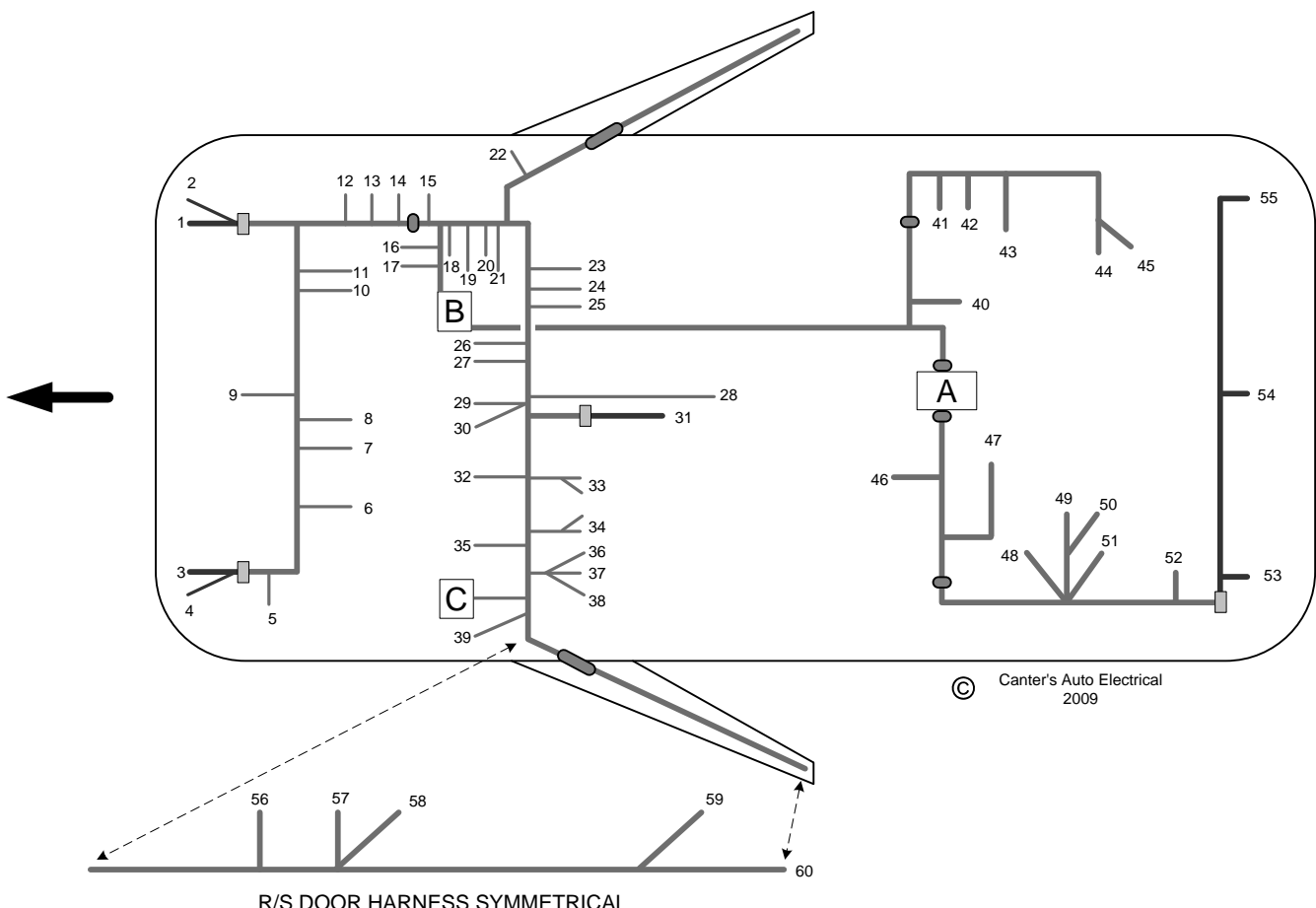
31 *	CENTRE SWITCH GROUP
	AIR CONDITIONER
	RECIRCULATION
	DEMIST
	HAZARD
	ENGINE START
	HEAT
	MODE : FEET / FACE
	BLOWER SPEED

WIRE SIZE : mm <sup>2</sup>	
WIRE COLOURS	
BK	BLACK
R	RED
BW	BROWN
GN	GREEN
Y	YELLOW
W	WHITE
PU	PURPLE
PK	PINK
BU	BLUE
GY	GREY
OR	ORANGE

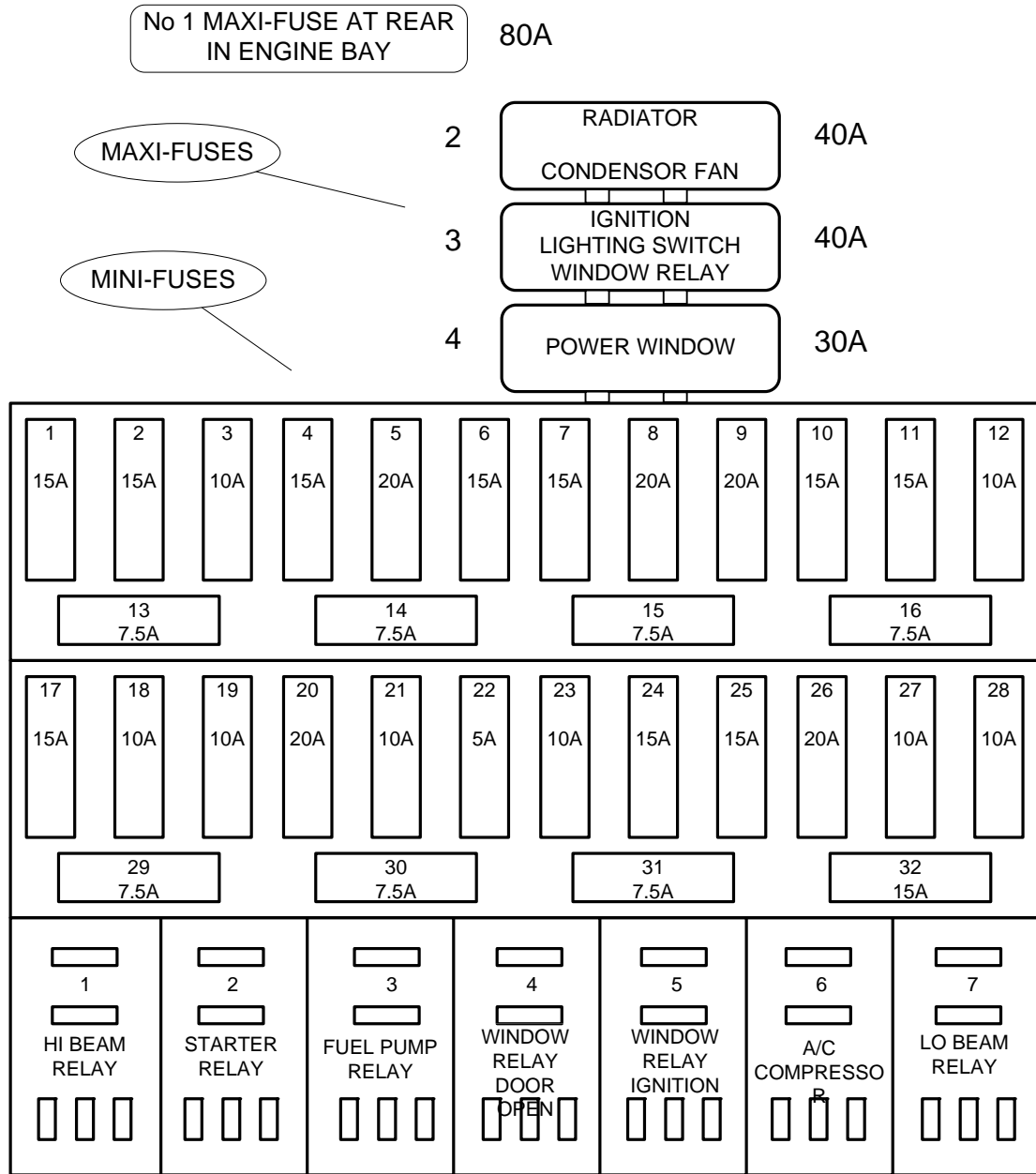
A = P D C (POWER DISTRIBUTION CENTRE)  
 B = FOOTWELL RELAY LOCATION  
 C = L/S WINDOW RELAYS AND LIGHT ON WARNING  
 ○ = GROMMET  
 □ = CONNECTOR



SUBJECT TO CHANGE WITOUT NOTICE  
 ALL RIGHTS RESERVED  
 © Canter's Auto Electrical  
 2009

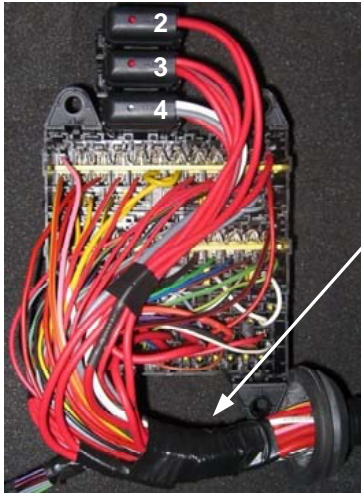


© Canter's Auto Electrical  
 2009



RELAYS

1	POWER OUTLET	17	TURN
2	HAZARD	18	BRAKE LIGHT
3	DOME : ANTI-THEFT : A/V	19	A/C SERVO : MIRR DEMIST
4	ANTI-THEFT FLASHERS	20	WIPER : WASH
5	HORN	21	METER : REV : CAMERA
6	BLOWER	22	ALTERNATOR
7	BLOWER	23	HEADLIGHT SWITCH
8	ECU	24	ACCESSORY FRONT
9	ECU	25	ACCESSORY REAR
10	ACCESSORY FRONT	26	FUEL PUMP
11	ACCESSORY REAR	27	ECU IGNITION
12	MIRROR : A/V	28	A/C COMPRESSOR
13	L/S PARK	29	L/S HI BEAM
14	R/S PARK	30	R/S HI BEAM
15	L/S LO BEAM	31	REAR FOG
16	R/S LO BEAM	32	FRONT FOG LIGHTS



SPLICE PDC REAR

2mm RED TO HI-BEAM RELAY 1  
PAGE: 13

2mm RED TO LO-BEAM RELAY 7  
PAGE: 13

2mm RED TO FRONT FOG RELAY  
PAGE: 17

2mm RED TO FUEL PUMP RELAY  
PAGE: 17

2mm RED TO A/C COMPRESSOR RELAY  
PAGE: 10

2mm RED TO STARTER RELAY  
PAGE: 5

4mm RED TO WINDOW RELAY DOOR OPEN  
PAGE: 18

4mm RED TO CONSTANT SUPPLY (30) FUSES  
PAGE: 6; 7; 8;

2: 4mm RED **MAXI-FUSE** TO:  
COOLING SYSTEM  
PAGE: 20

3: 4mm RED **MAXI-FUSE** TO:  
IGNITION SW. PAGE: 5  
LIGHTING SW. PAGE: 13  
WINDOW RELAY. PAGE: 19

8mm RED SILICONE INSULATION  
ALTERNATOR  
PAGE 5

PRE-STARTER SAFETY SOLENOID  
PAGE: 5

RED 8mm<sup>2</sup> SILICONE INSULATION

**MAXI-FUSE** No.1  
ENGINE BAY



RED 8mm<sup>2</sup> SILICONE INSULATION

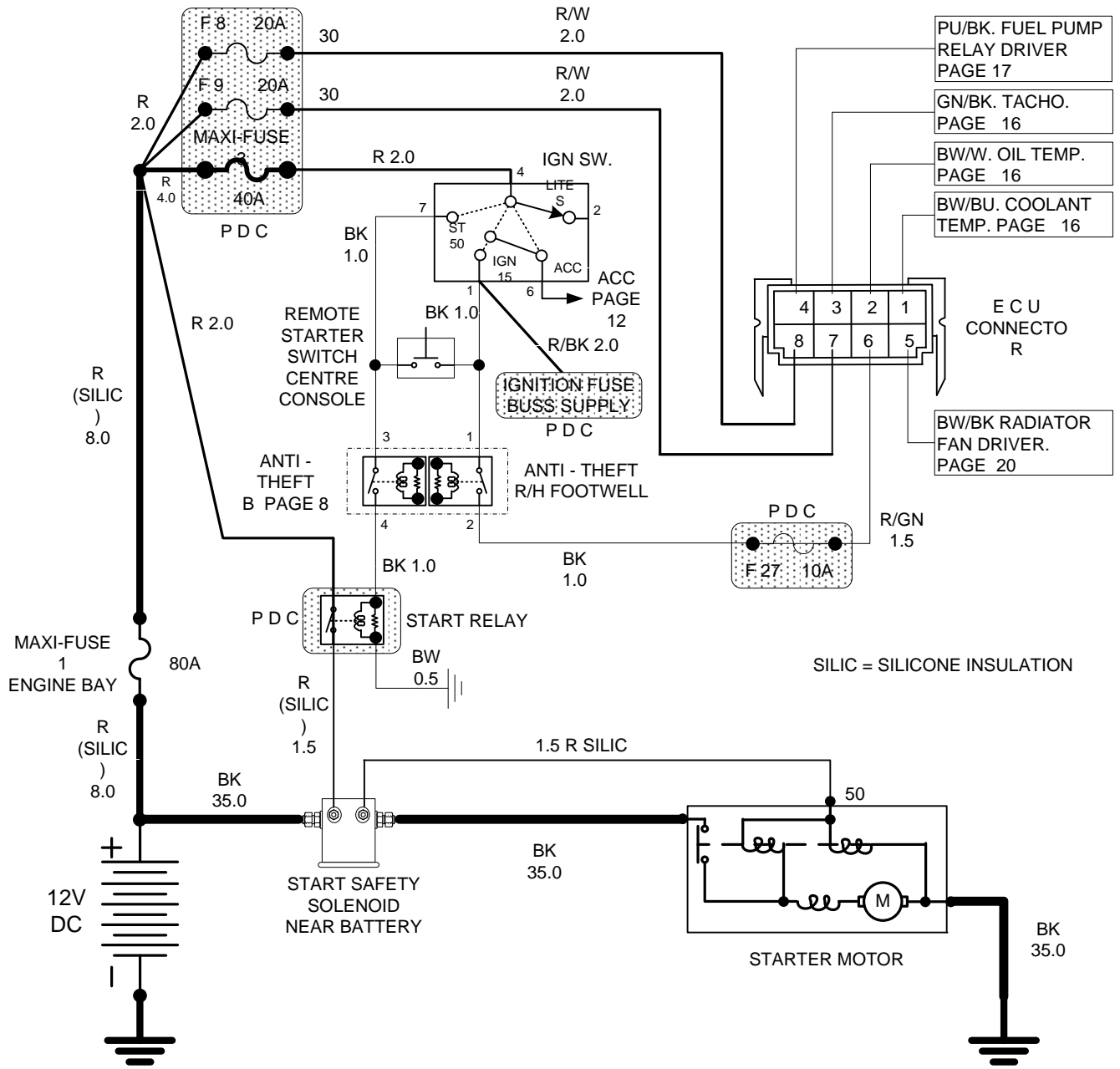
SPLICE

80A



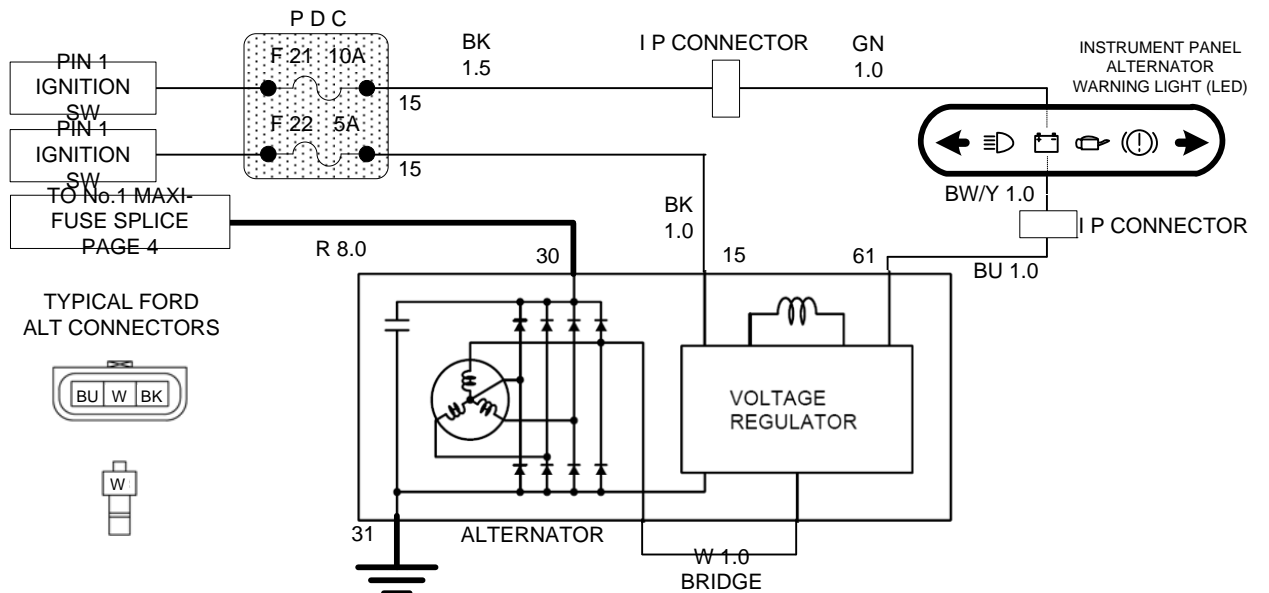
CHASSIS GROUND

POWERTRAIN GROUND

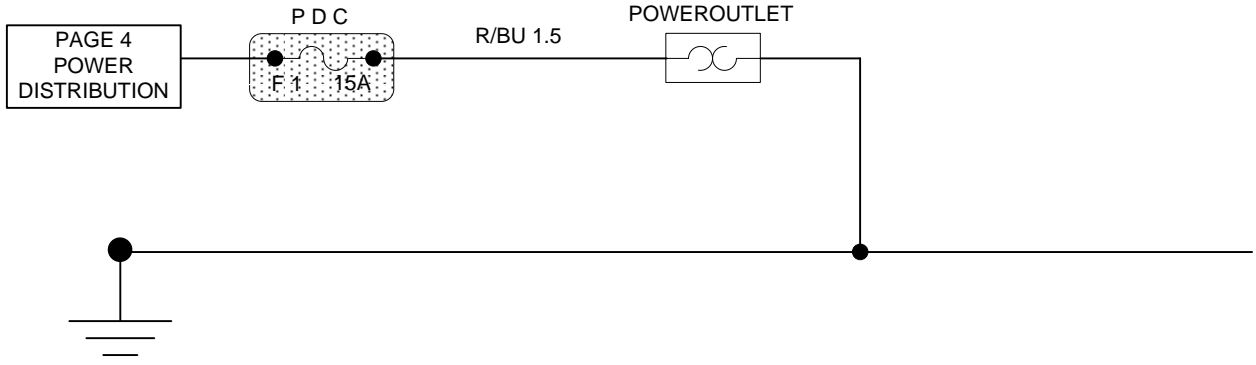


**CHARGING**

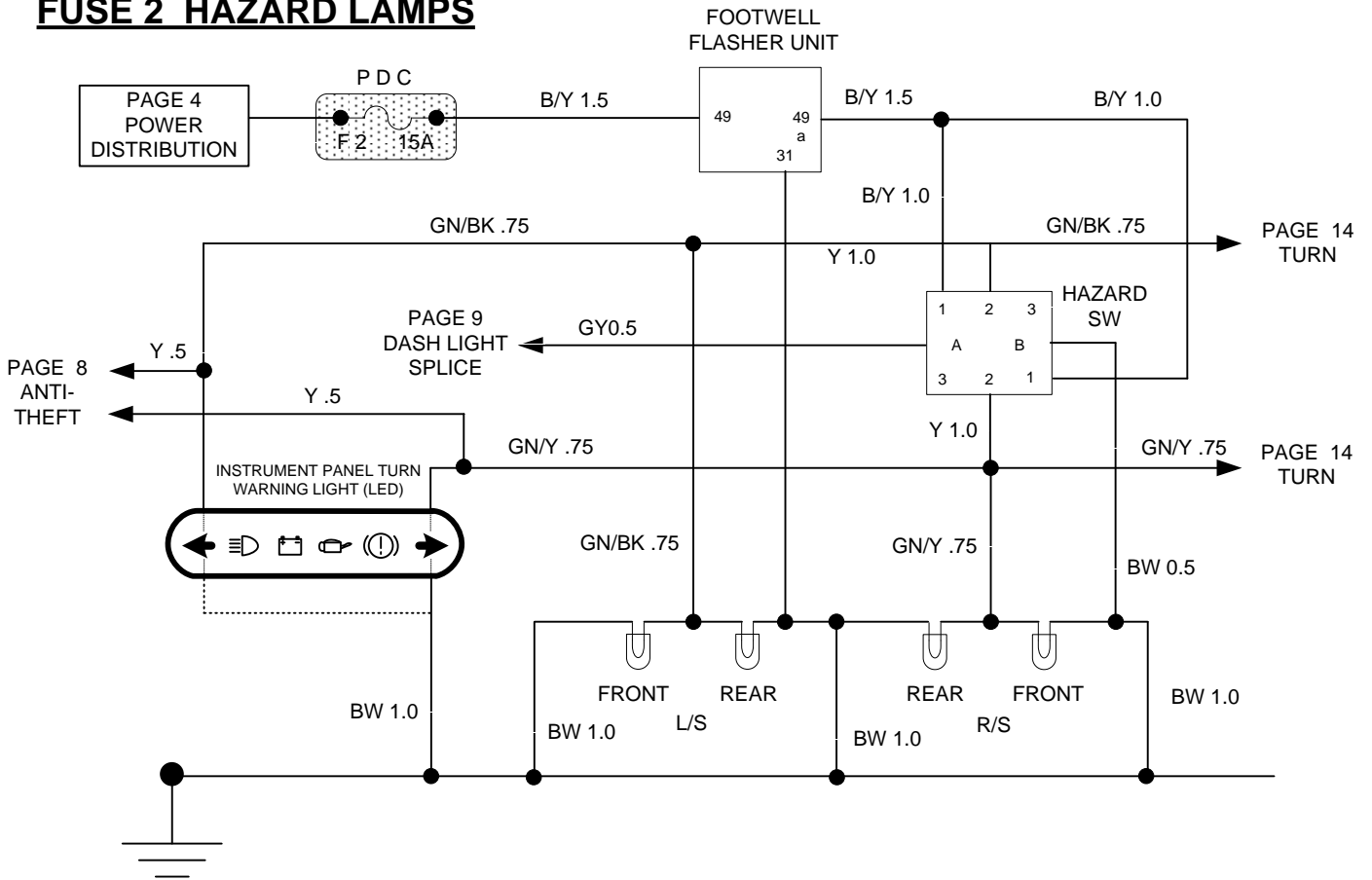
© Canter's Auto Electrical 2009



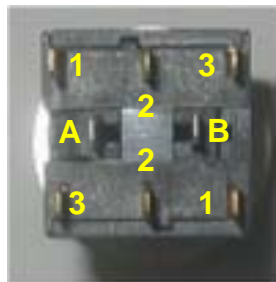
# FUSE 1 POWER OUTLET



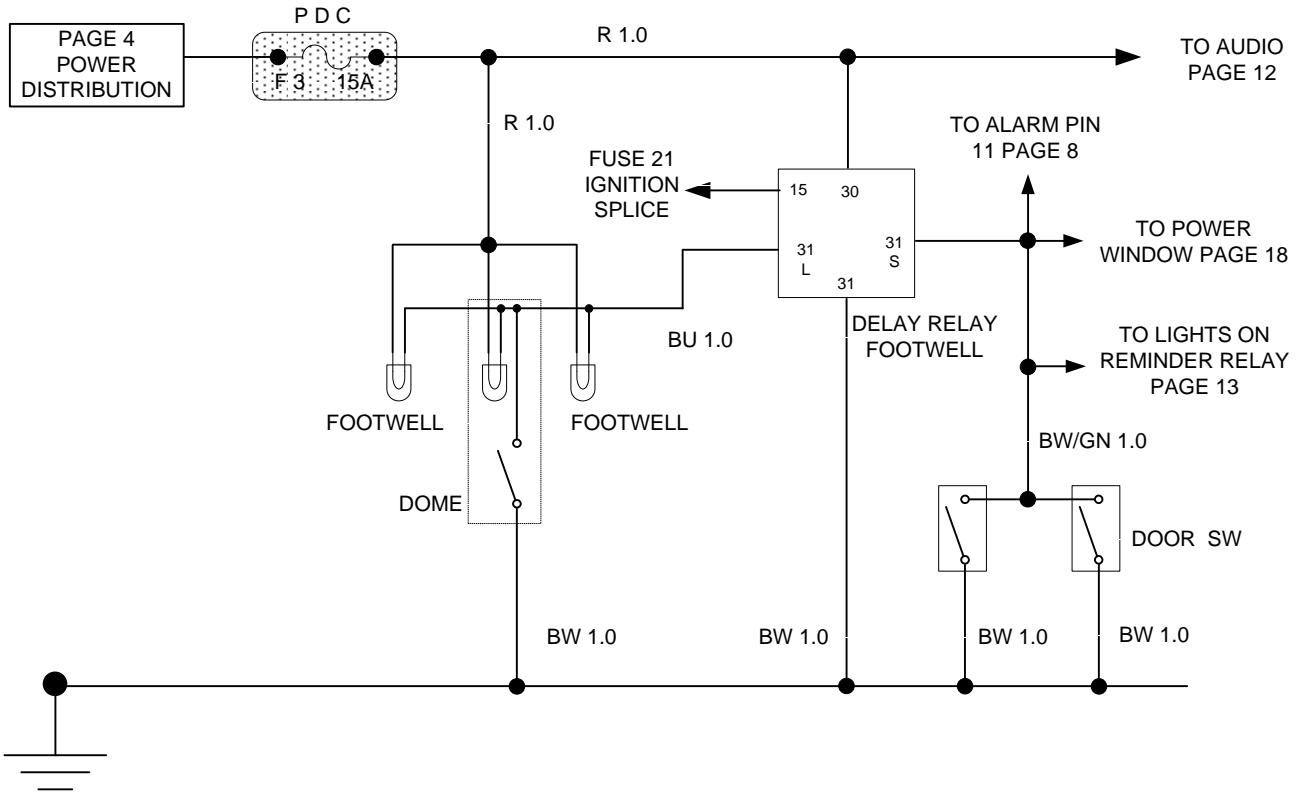
# FUSE 2 HAZARD LAMPS



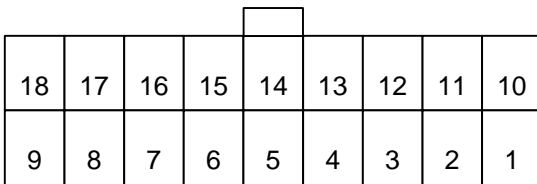
HAZARD SW



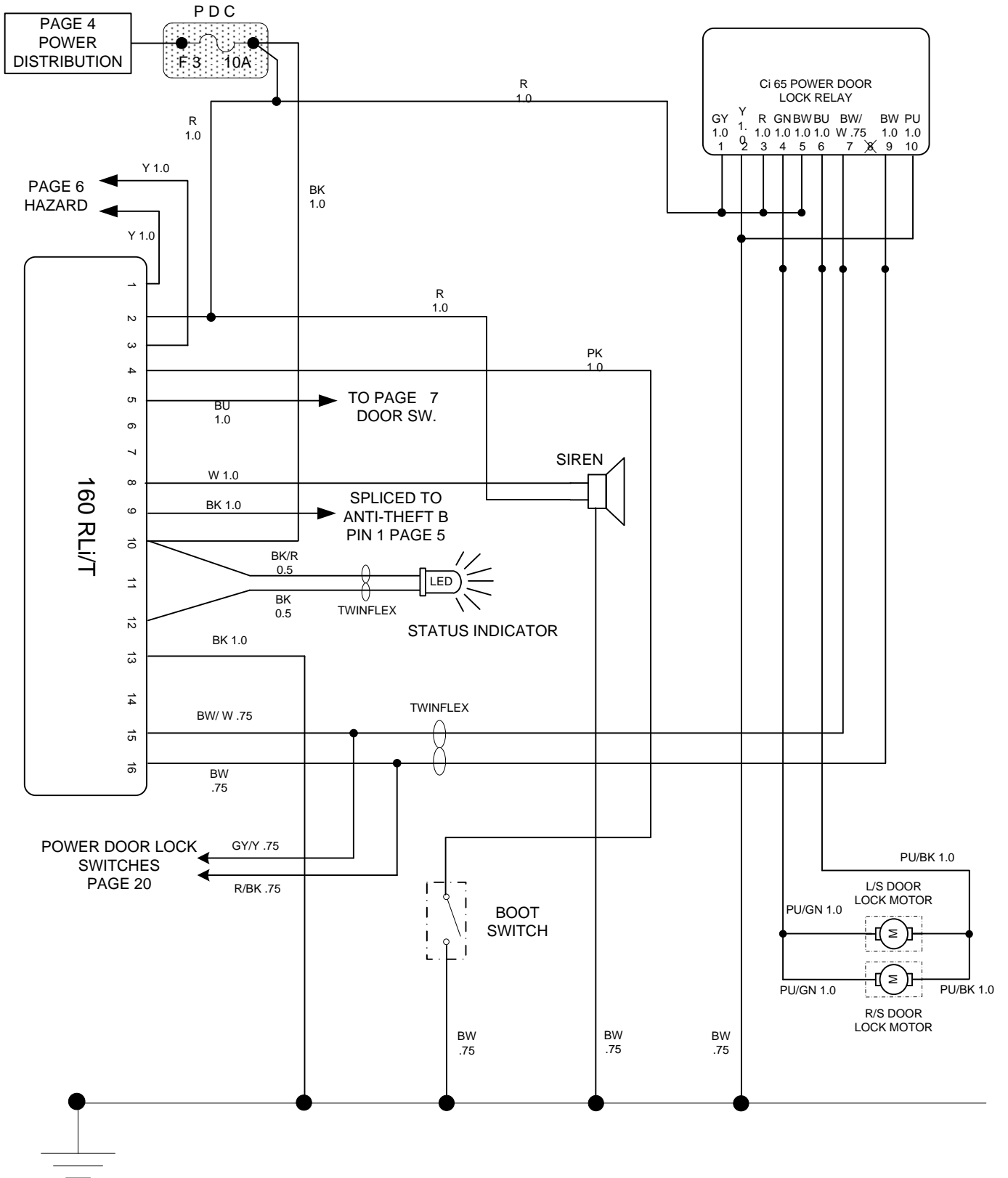
# FUSE 3 DOME



# FUSE 3 & 4 ANTI-THEFT



1	IGNITION SENSE SPLICED TO FUSE 21
2	DOOR SW - BONNET SW
3	NOT USED
4	GROUND
5	GROUND
6	UNLOCK SIGNAL TO Ci 65 RELAY
7	NOT USED
8	NOT USED
9	+12V FUSE 3
10	SIREN HORN
11	NOT USED
12	NOT USED
13	NOT USED
14	NOT USED
15	LOCK SIGNAL TO Ci 65 RELAY
16	+ 12v TURN
17	TURN LAMPS
18	TURNLAMPS



**ANTI-THEFT A**

**ANTI-THEFT B**

**POWER LOCK**

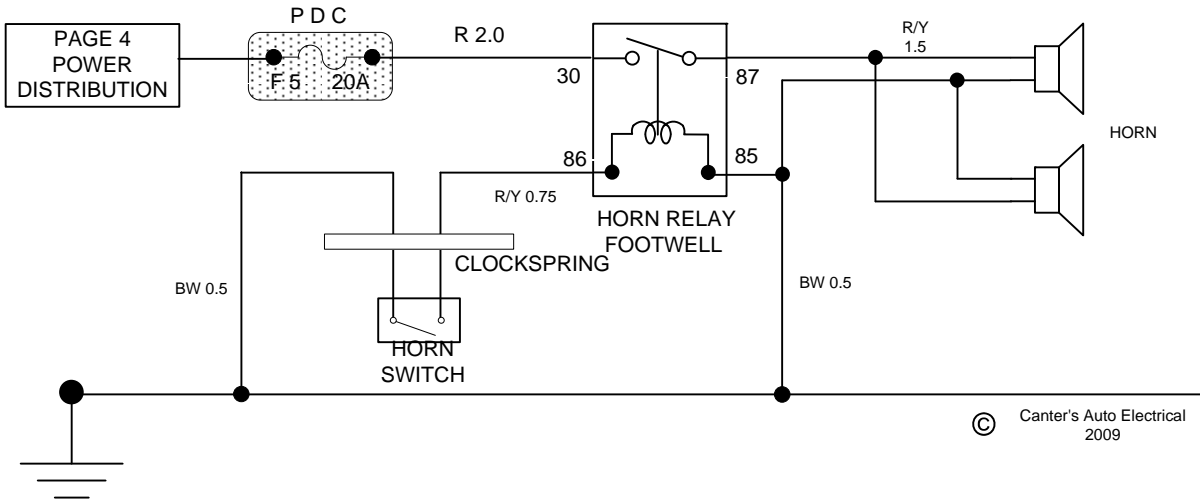
1	2	3	4	5	6	7	8
9	10	11	12	13	14	15	16

1	2
3	4

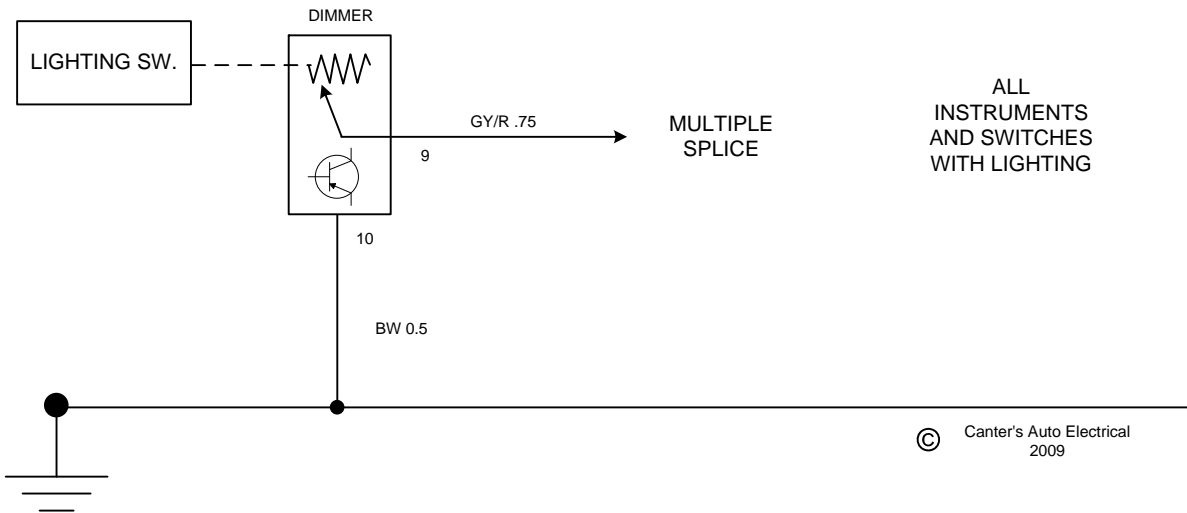
1	2	3	4	5
6	7	8	9	10



# FUSE 5 HORNS

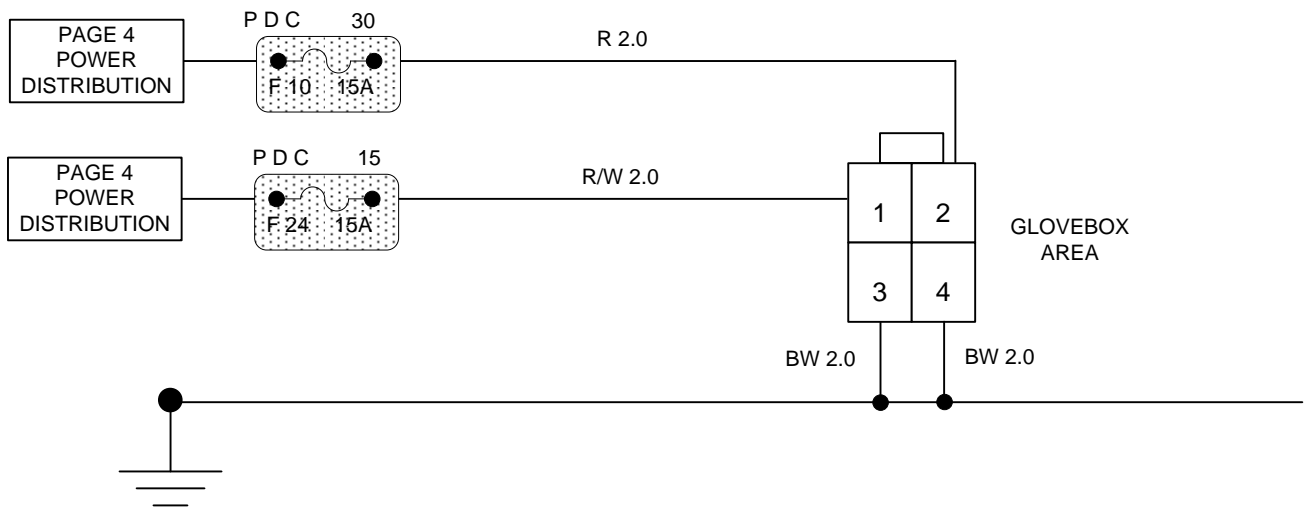


# ILLUMINATION

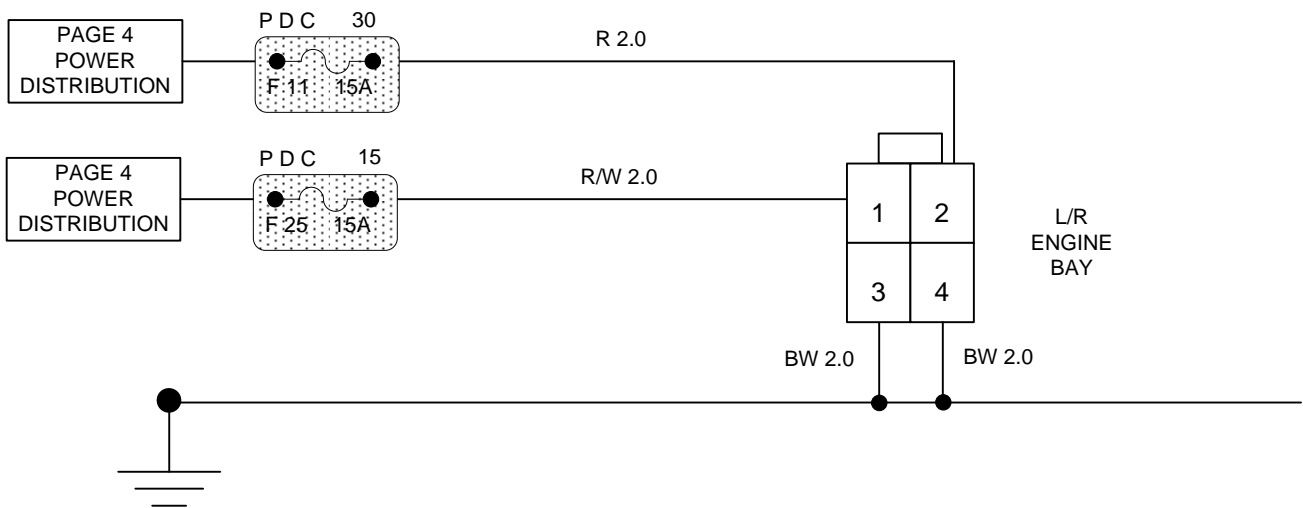


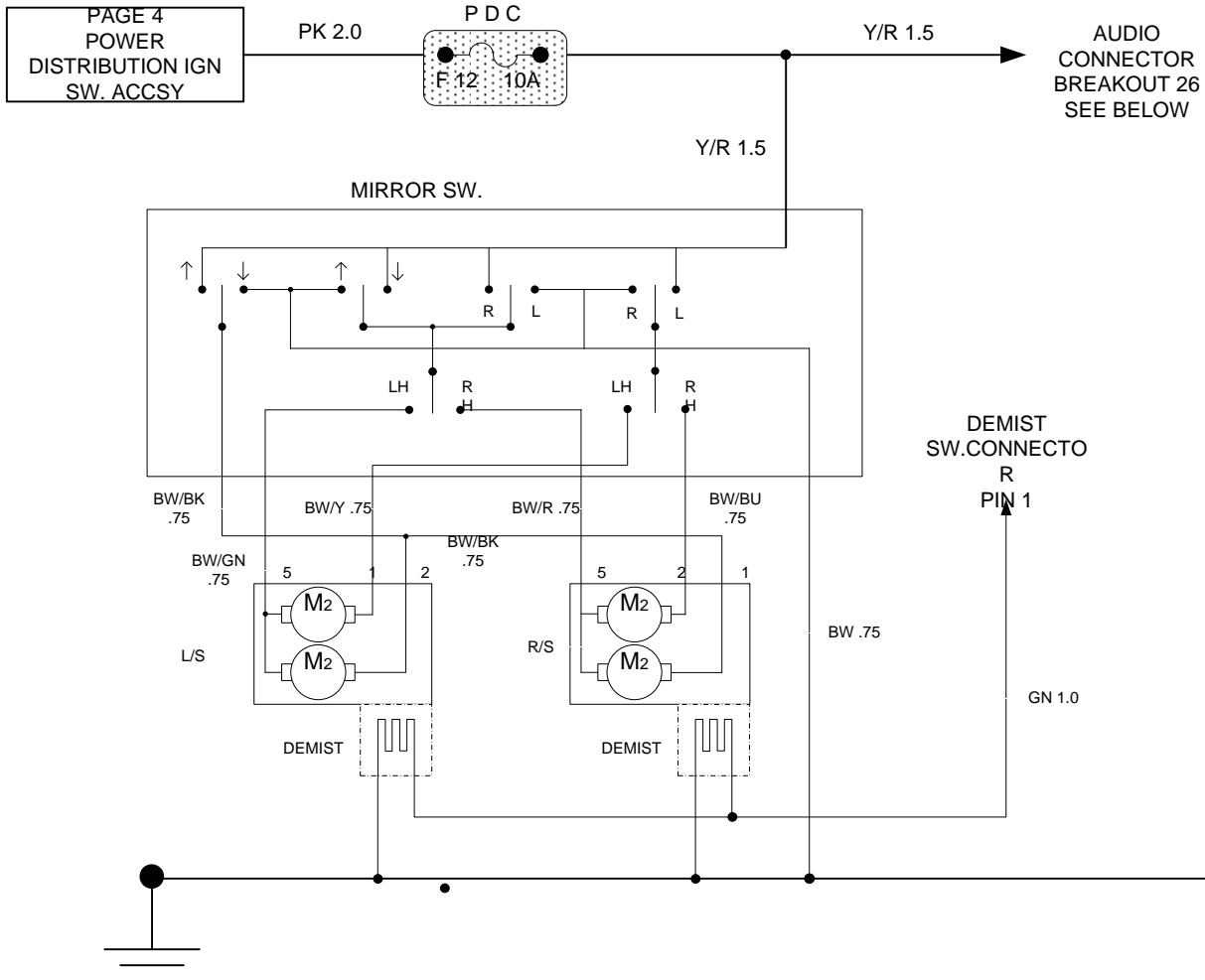


# FUSES 10; 24 ACCESSORY SUPPLY FRONT

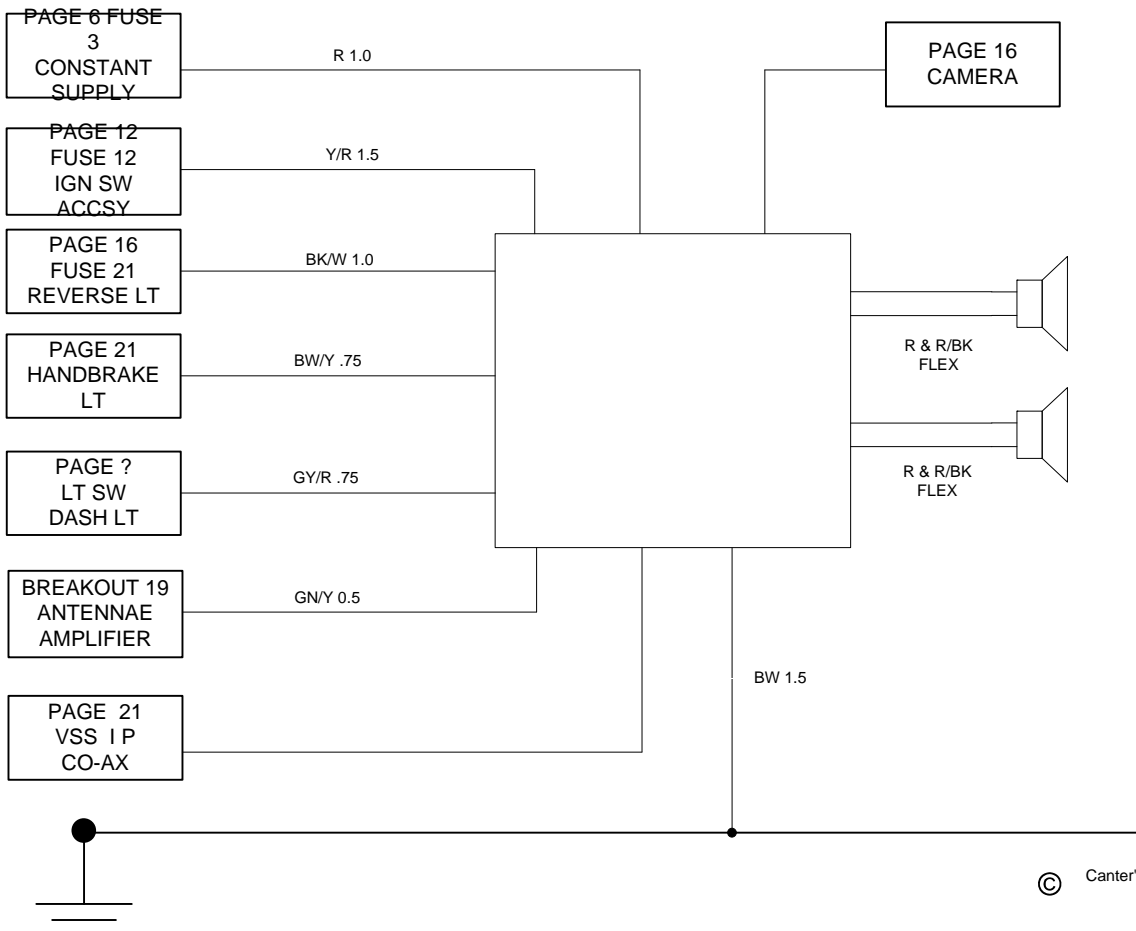


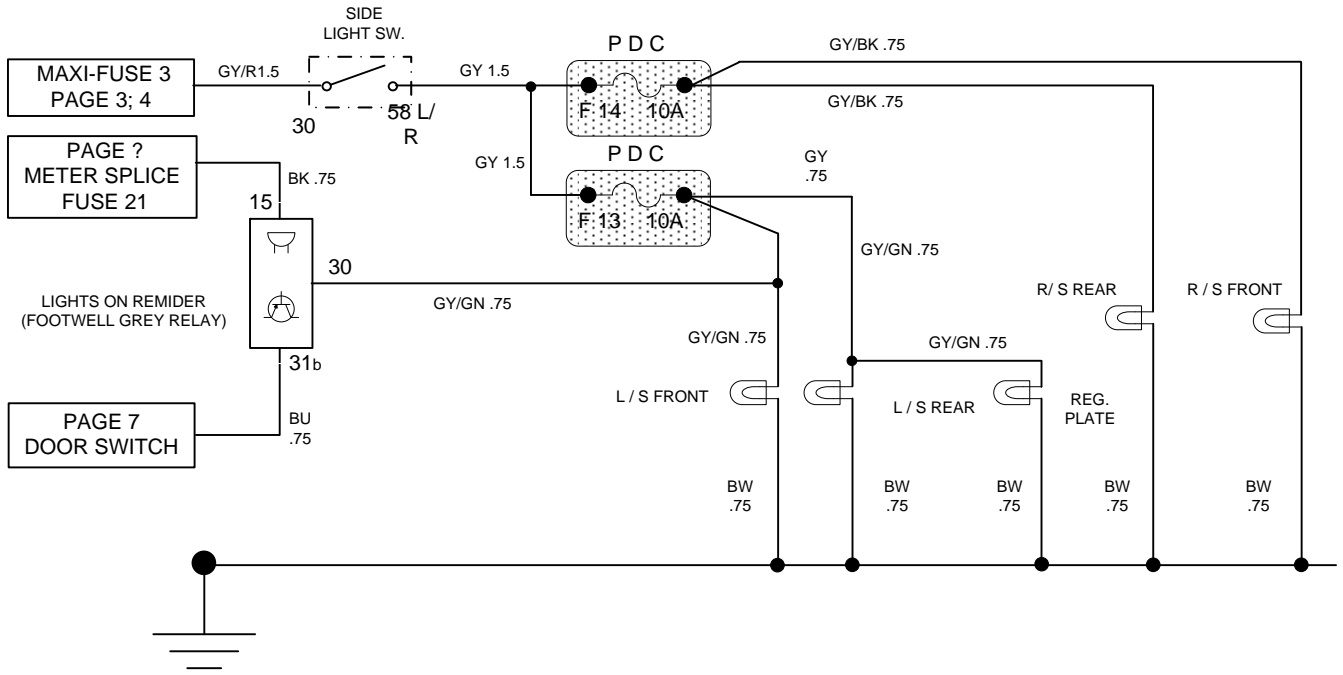
# FUSE 11; 25 ACCESSORY SUPPLY REAR



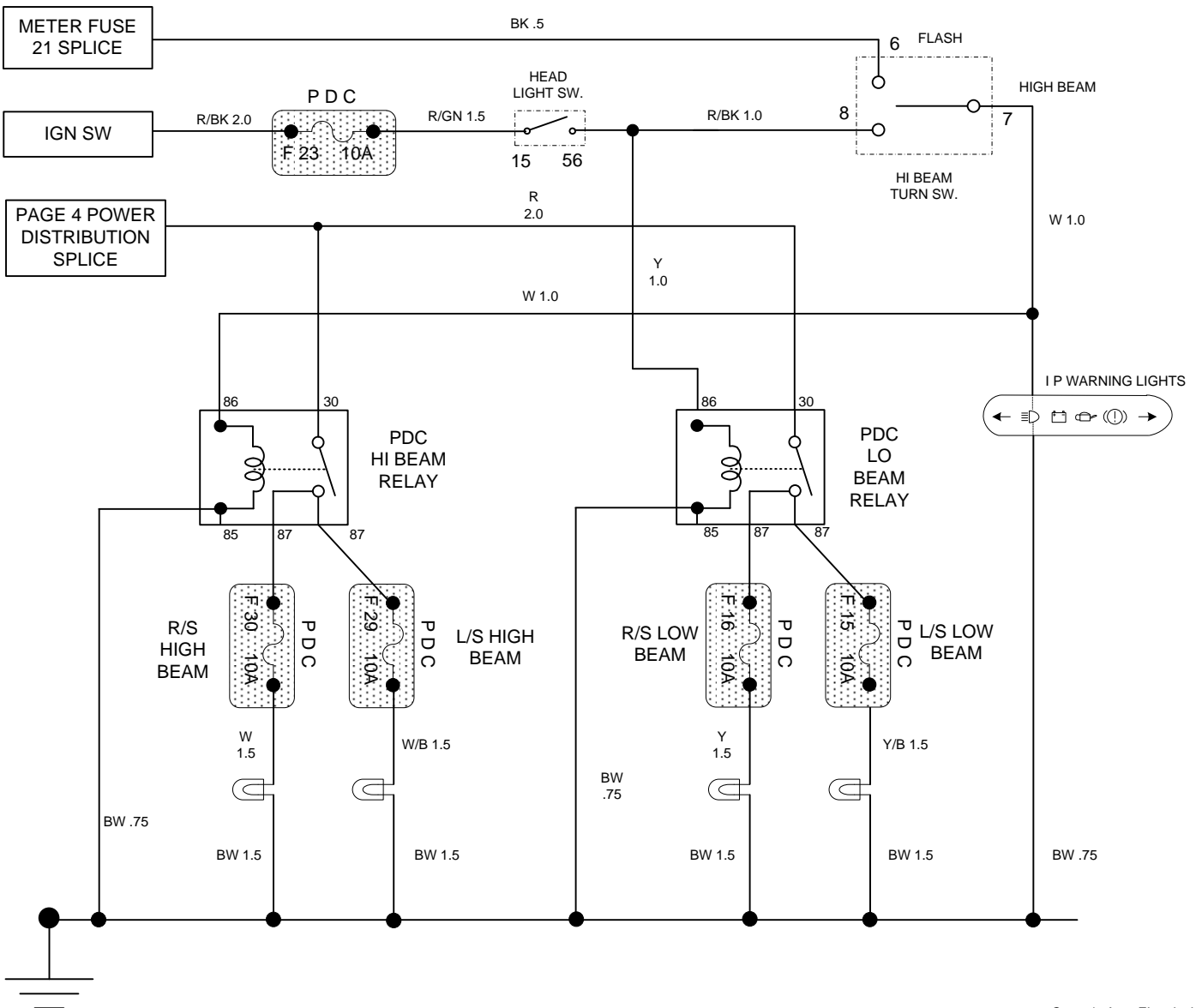


## AUDIO VISUAL

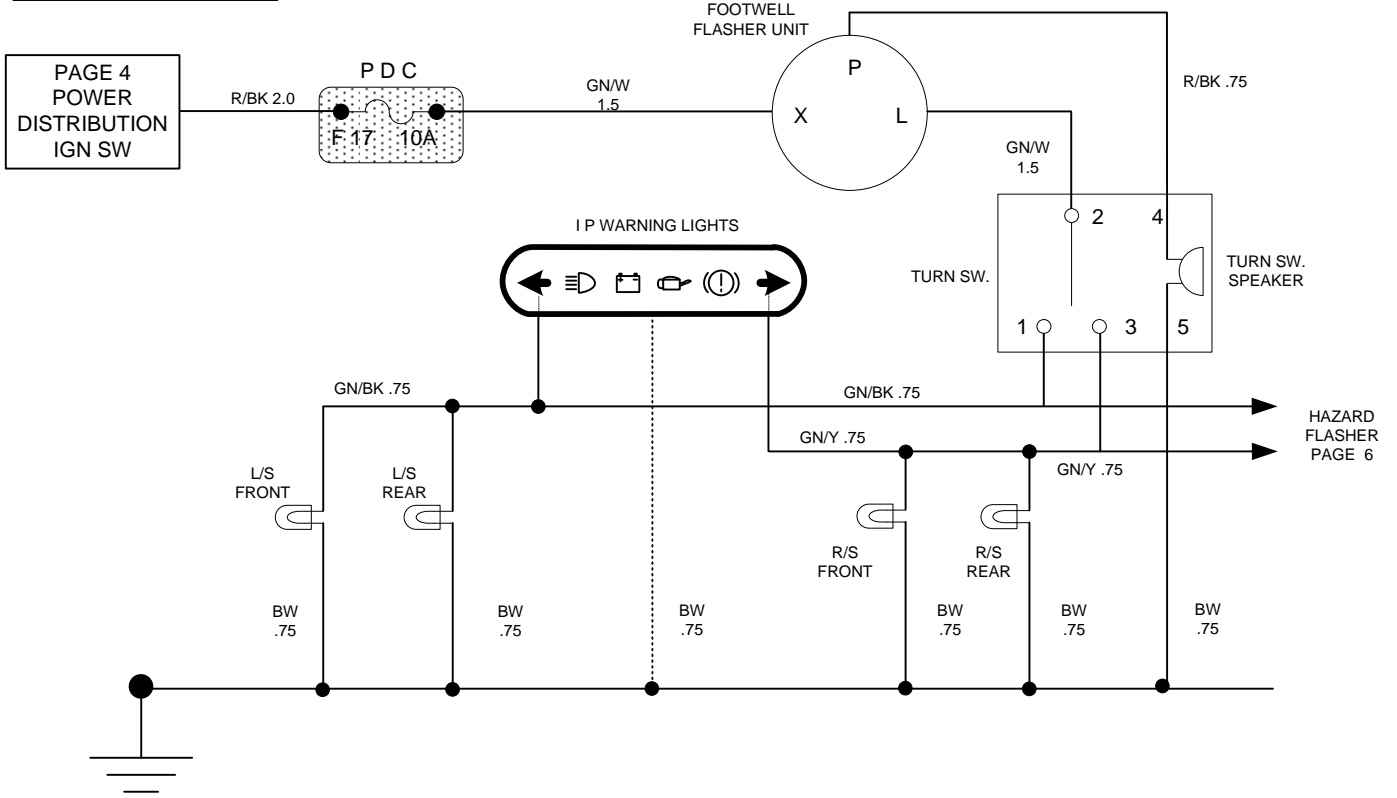




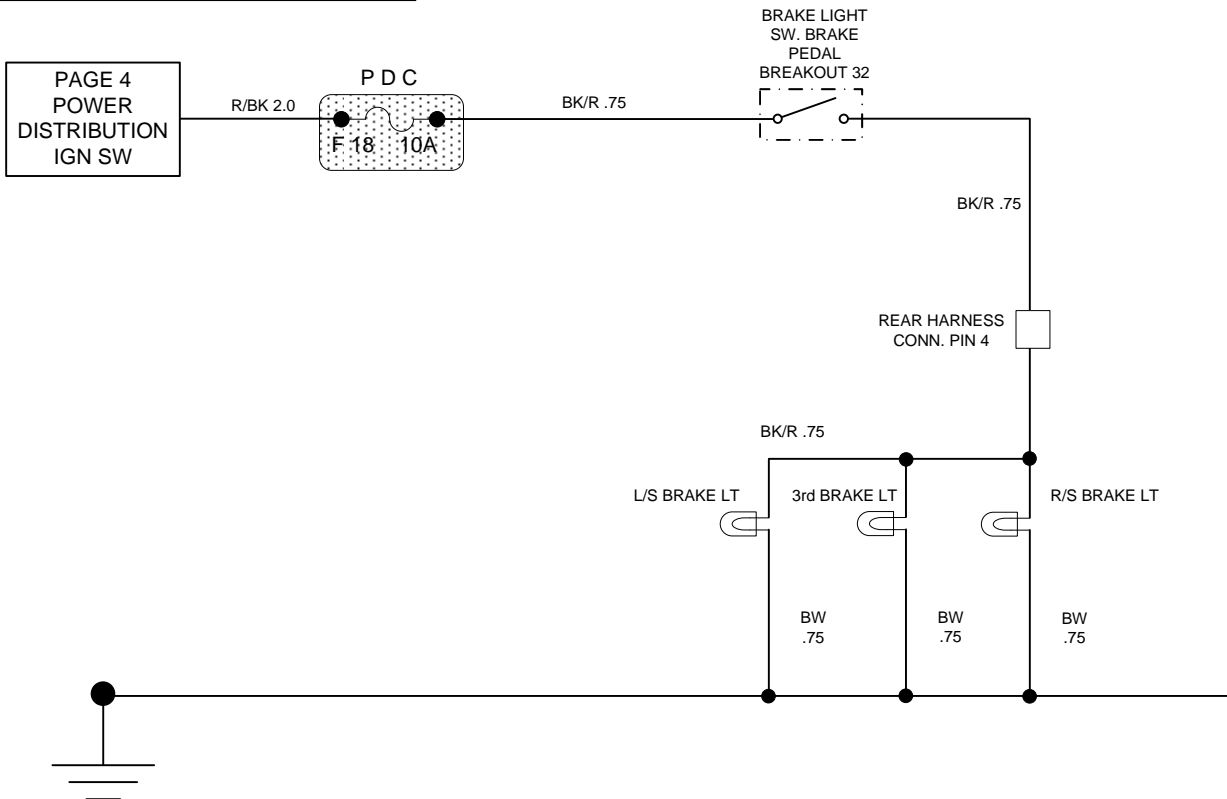
**FUSE 15; 16; 23; 29; 30 HEAD LIGHTS**



# FUSE 17 TURN

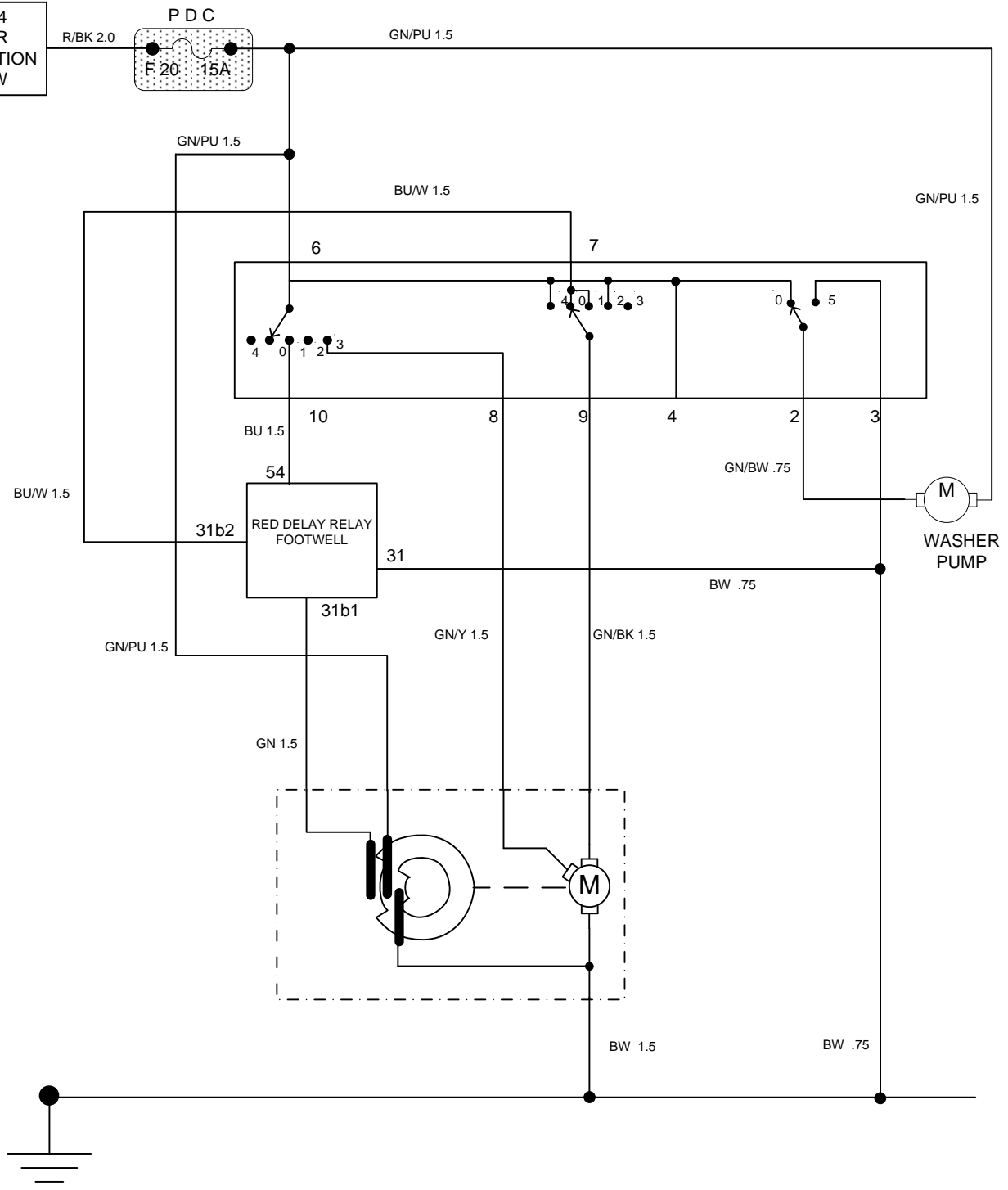


# FUSE 18 BRAKE LIGHT

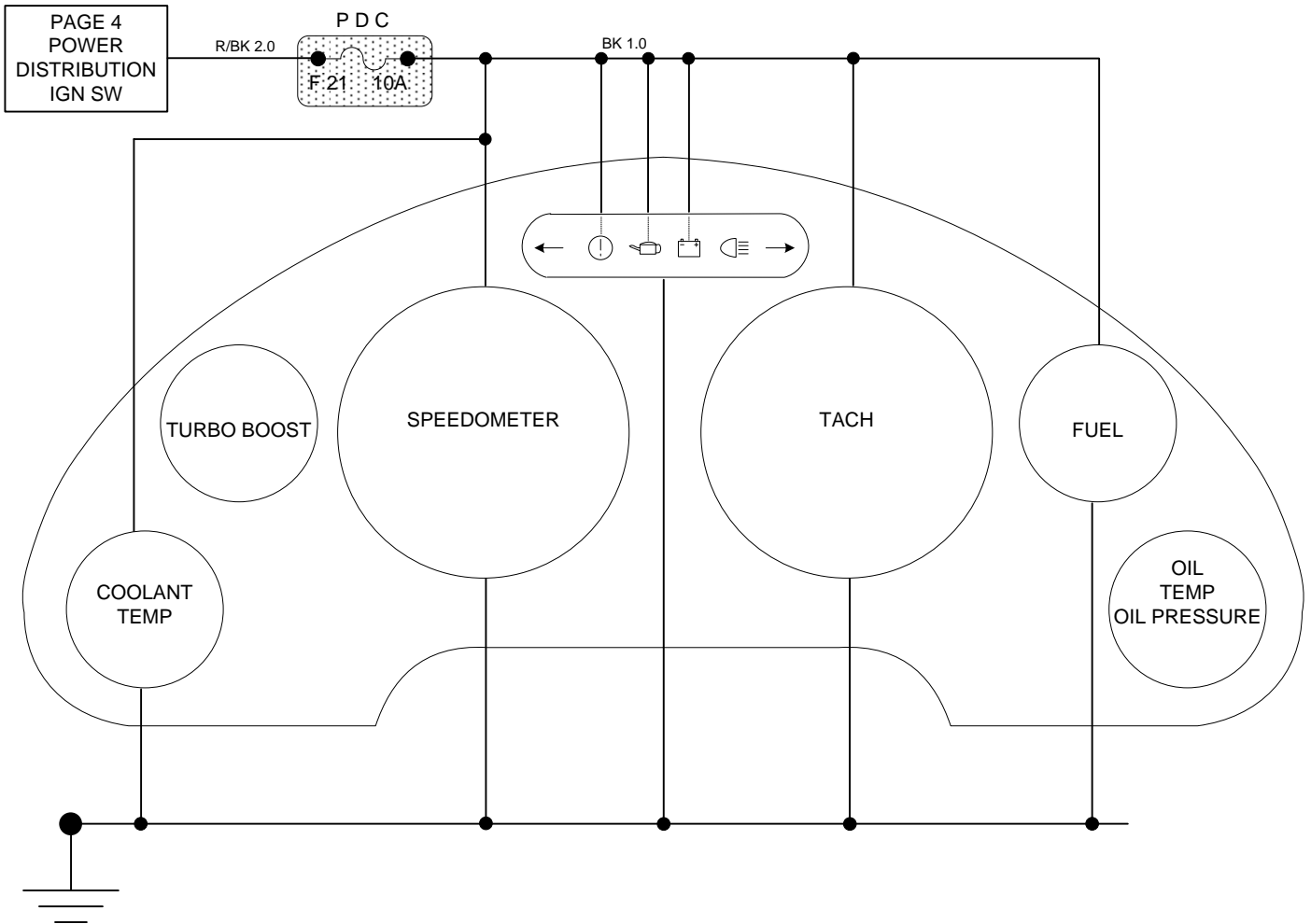


# FUSE 20 WIPER WASHER

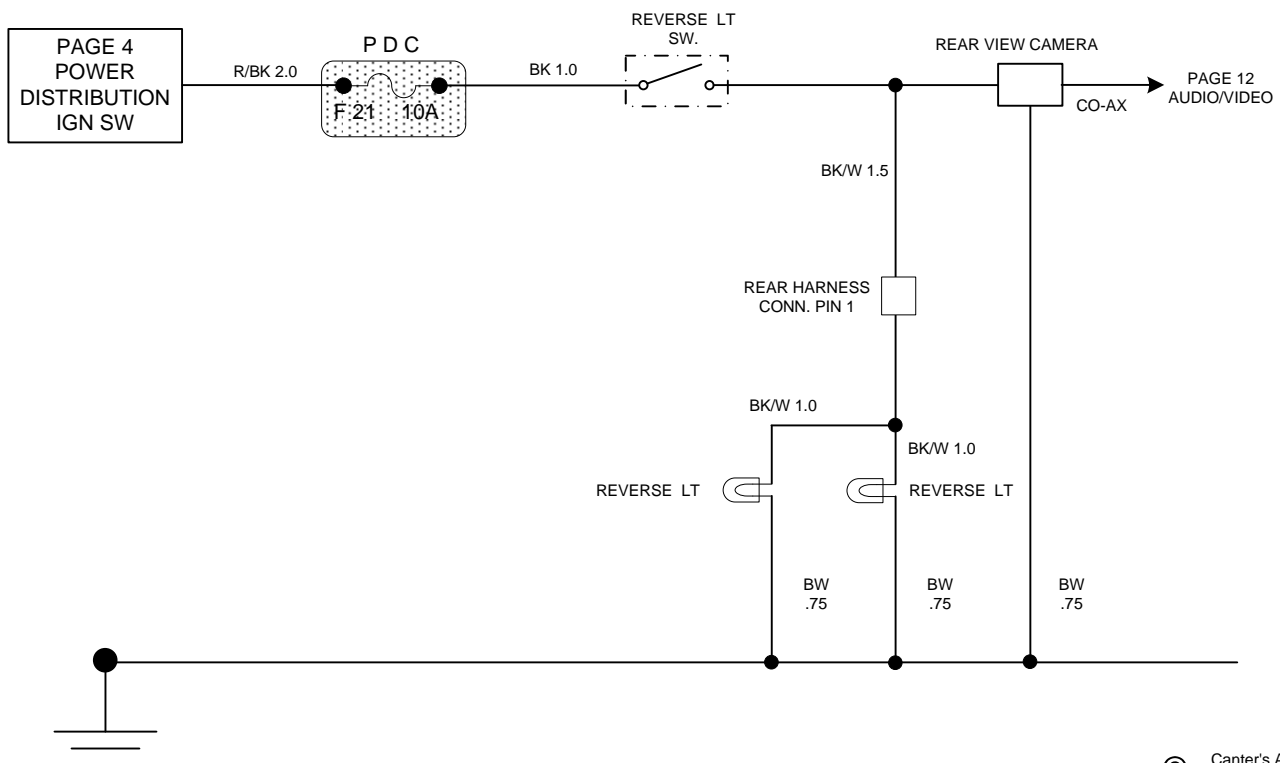
PAGE 4  
POWER  
DISTRIBUTION  
IGN SW



# FUSE 21 METER

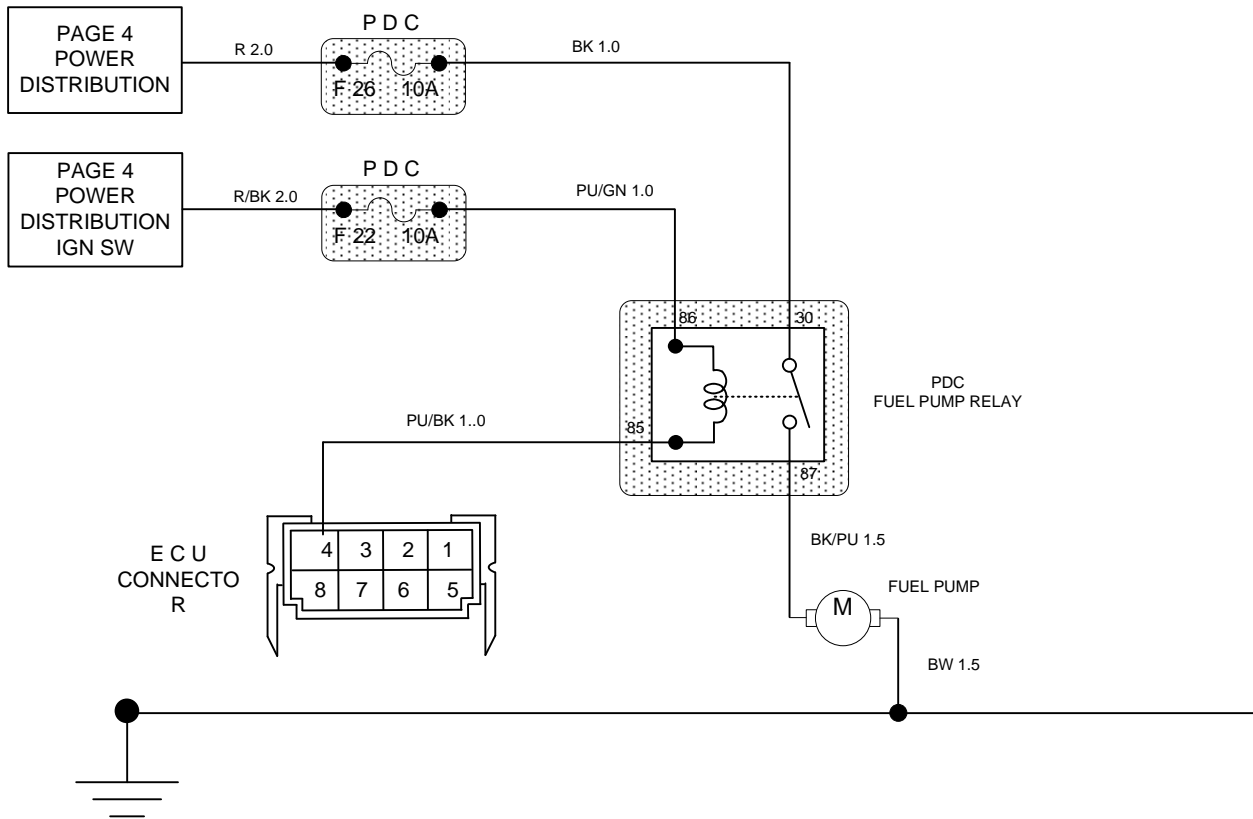


# FUSE 21 REVERSE LIGHT, CAMERA

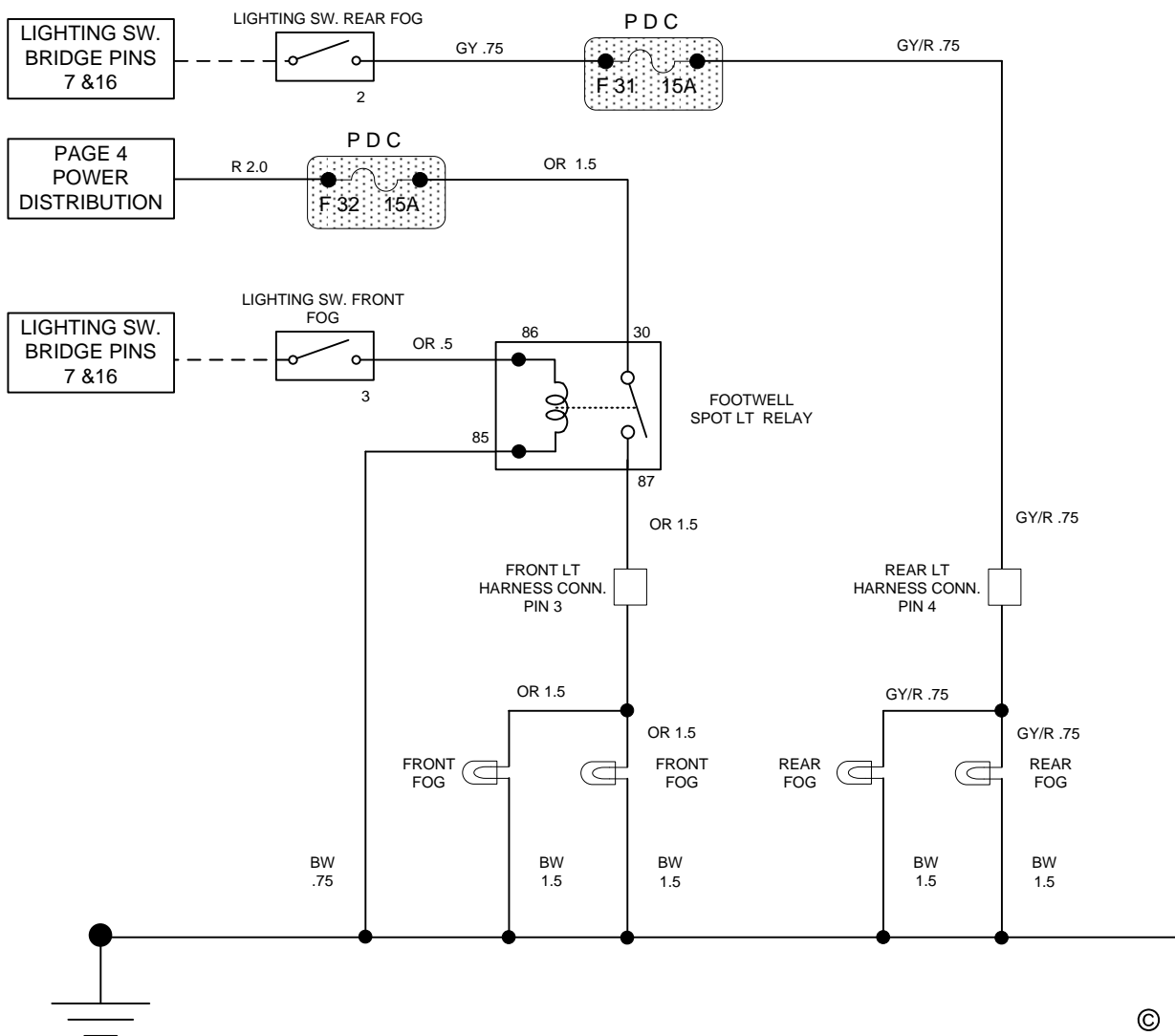




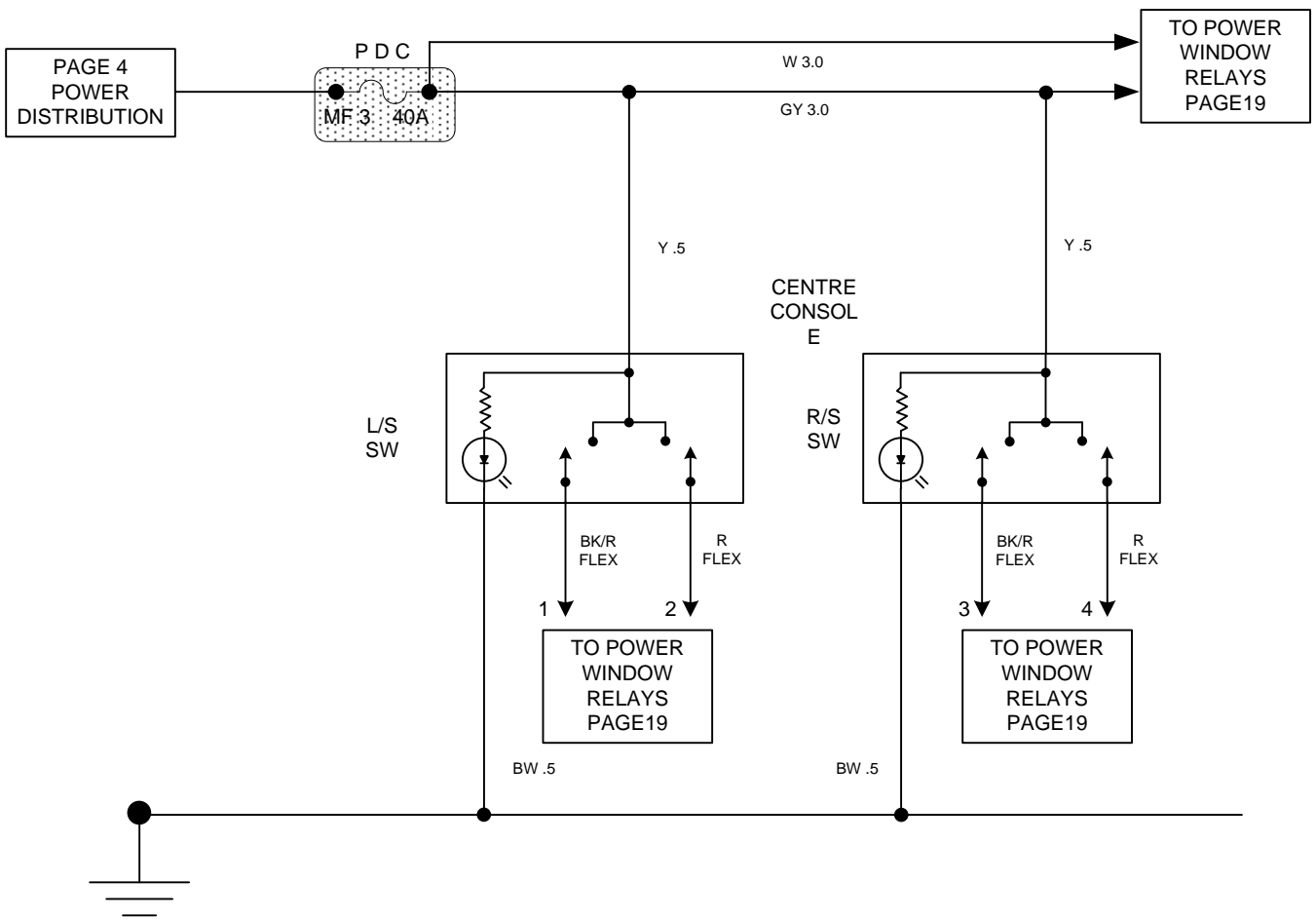
# FUSE 26 FUEL PUMP



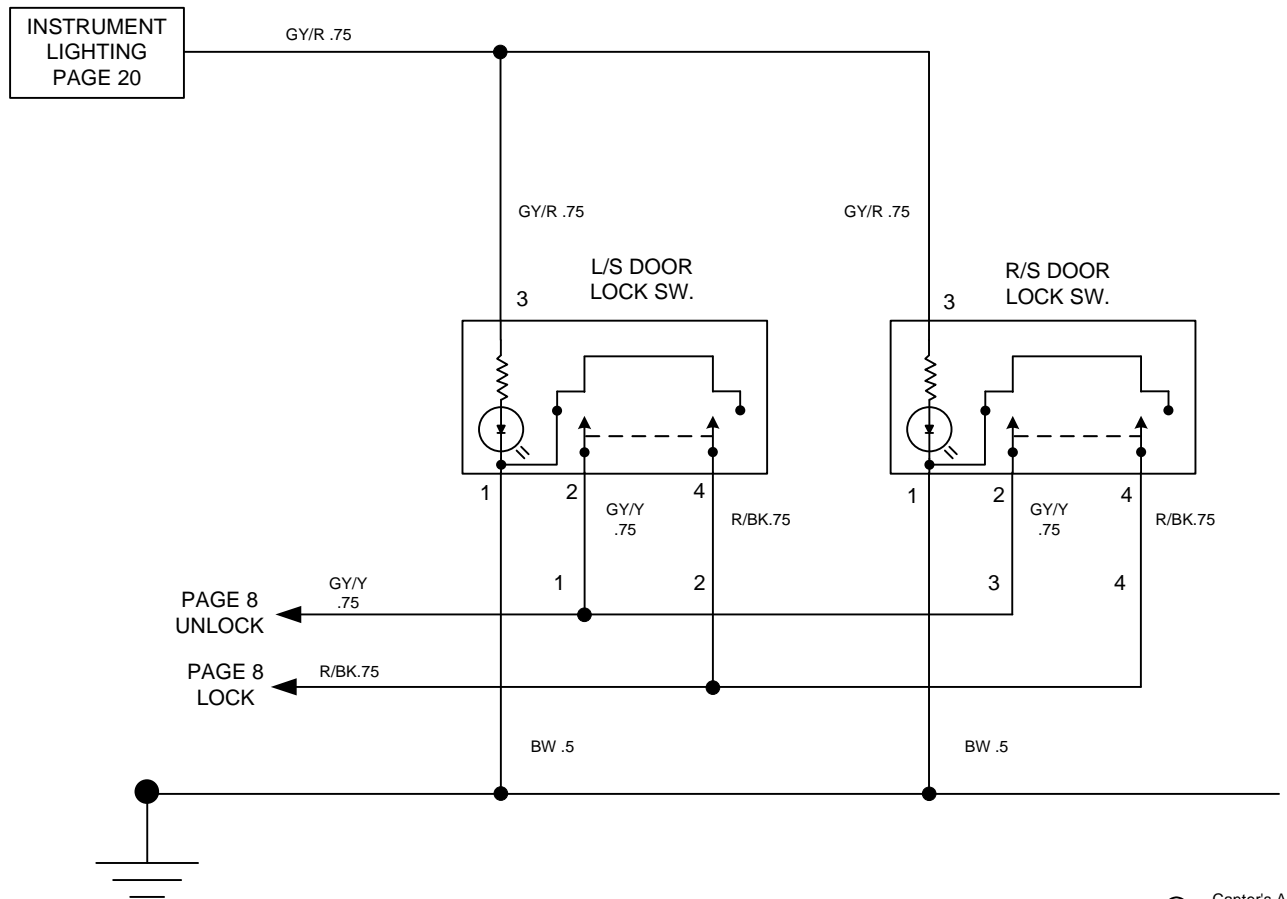
# FUSE 31; 32 FOG LIGHTS FRONT, REAR



# WINDOW SWITCHES

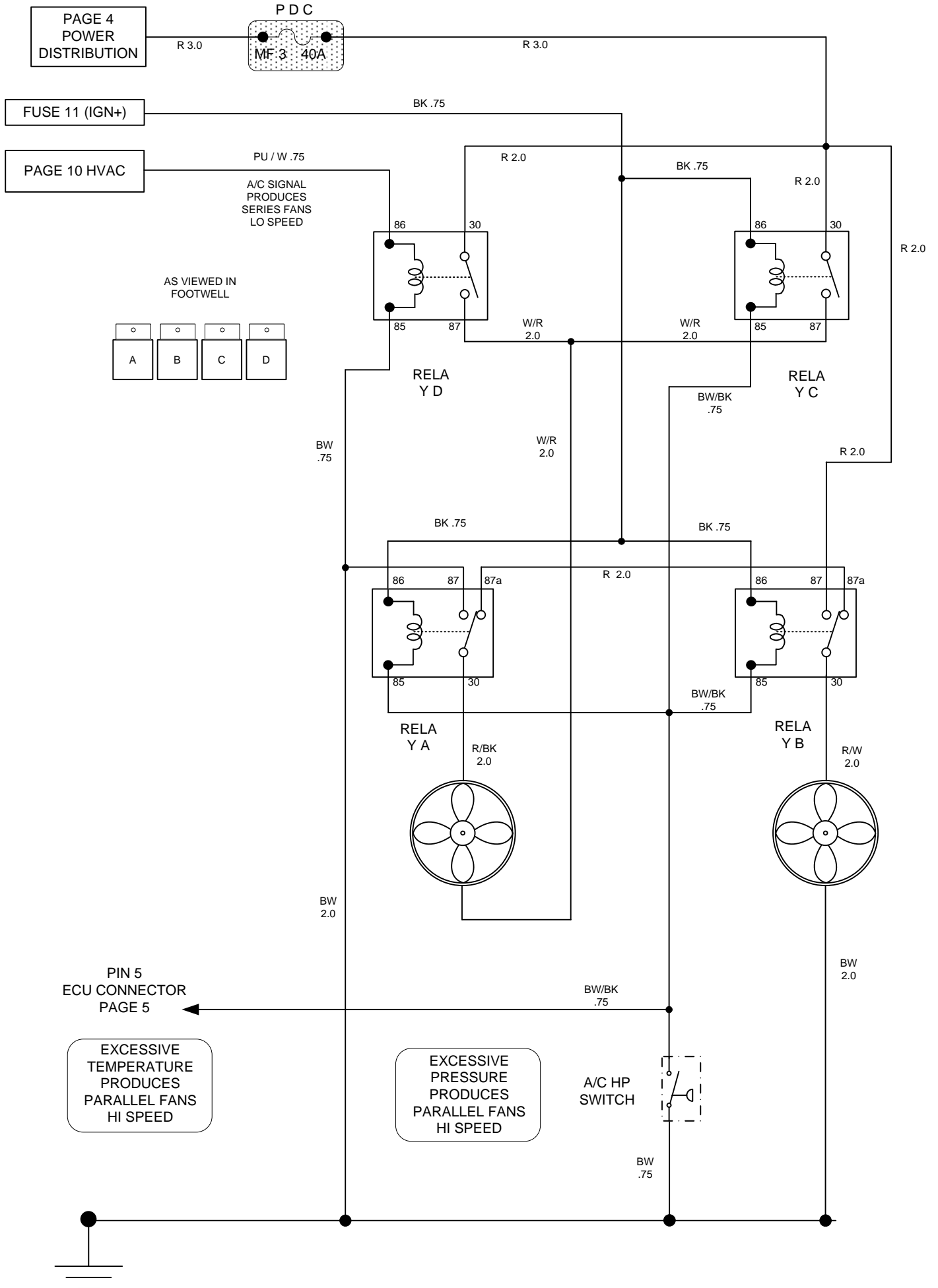


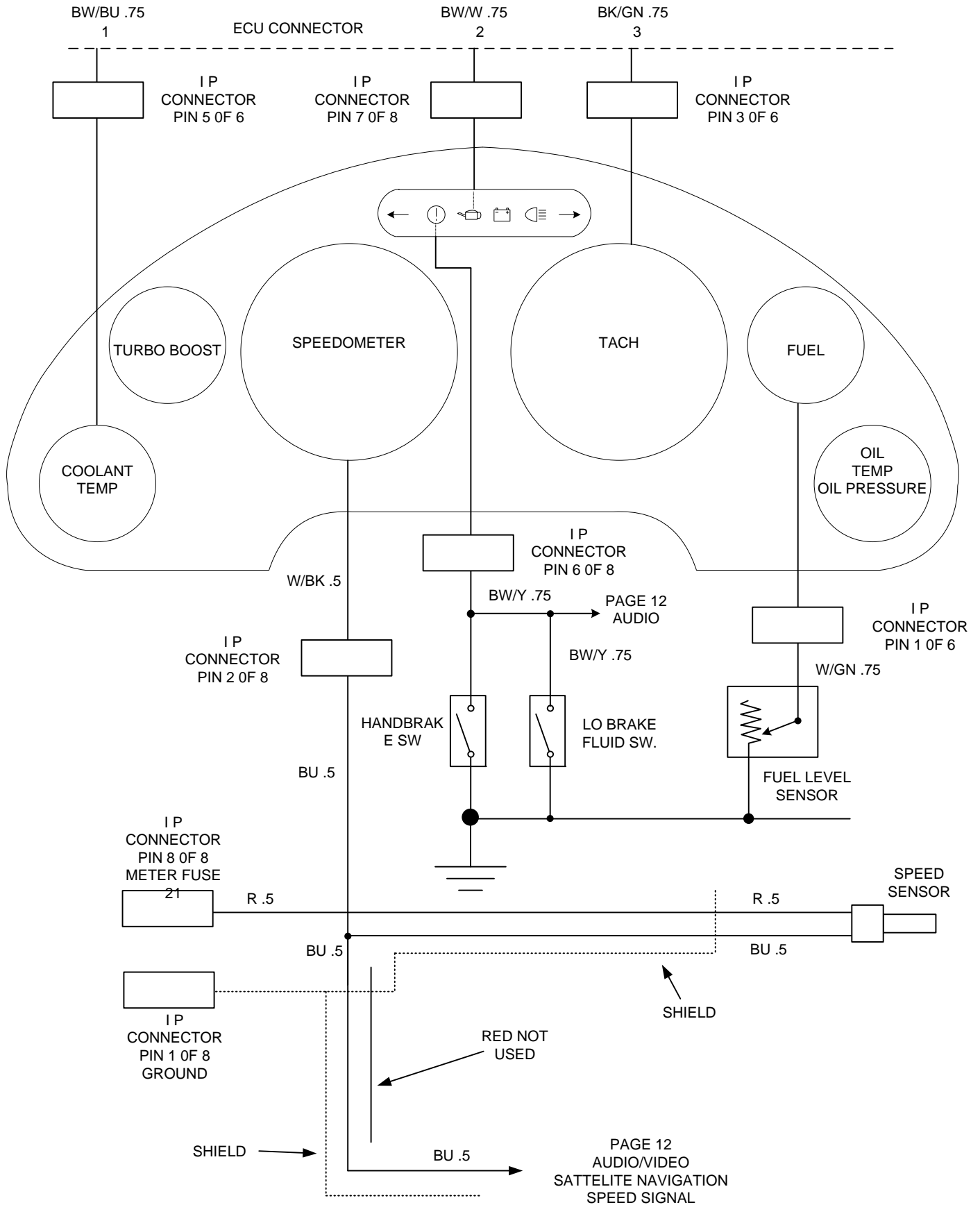
# DOOR LOCK SWITCHES





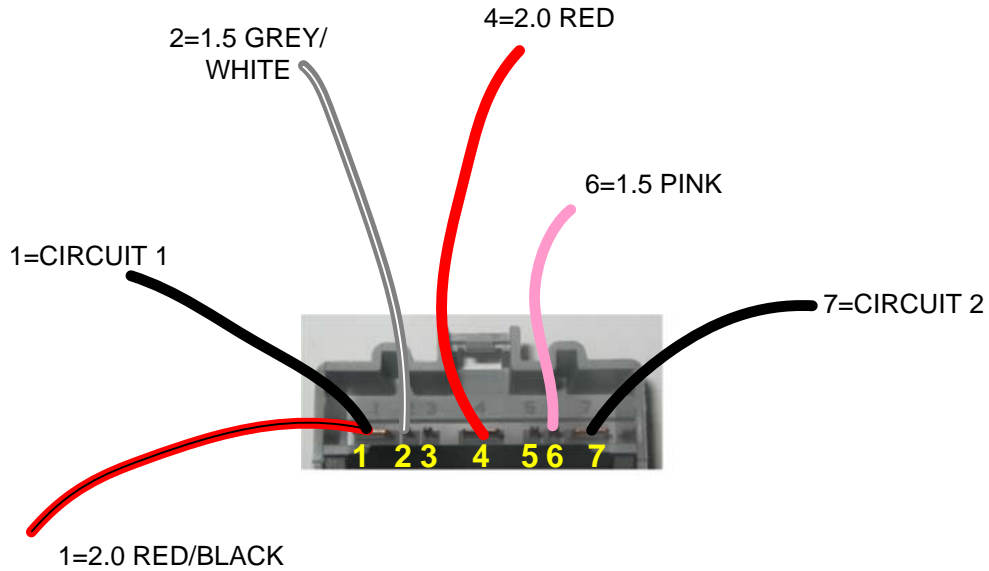
# COOLING SYSTEM





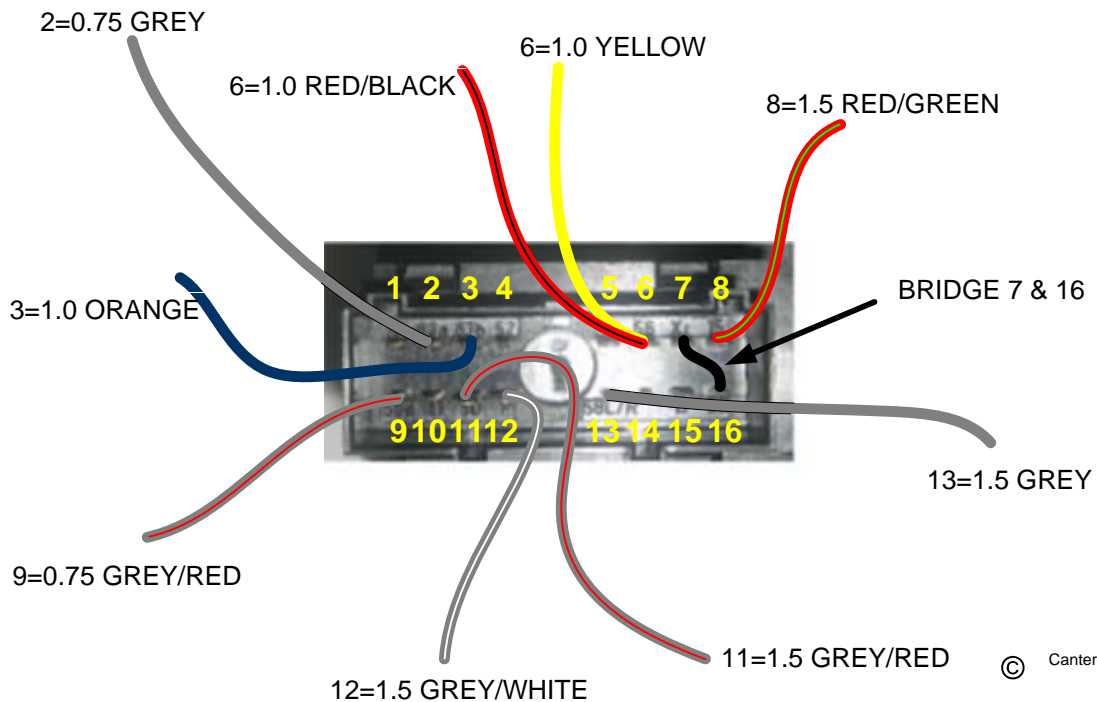
### IGNITION SWITCH

1	RED/BLACK TO IGNITION FUSES
1	BLACK TO ECU FUSE (CIRCUIT 1)
2	TO HEADLIGHT SW. PIN No. 12
4	TO MAXIFUSE
6	TO ACCESSORY FUSE
7	TO STARTER RELAY (CIRCUIT 2)



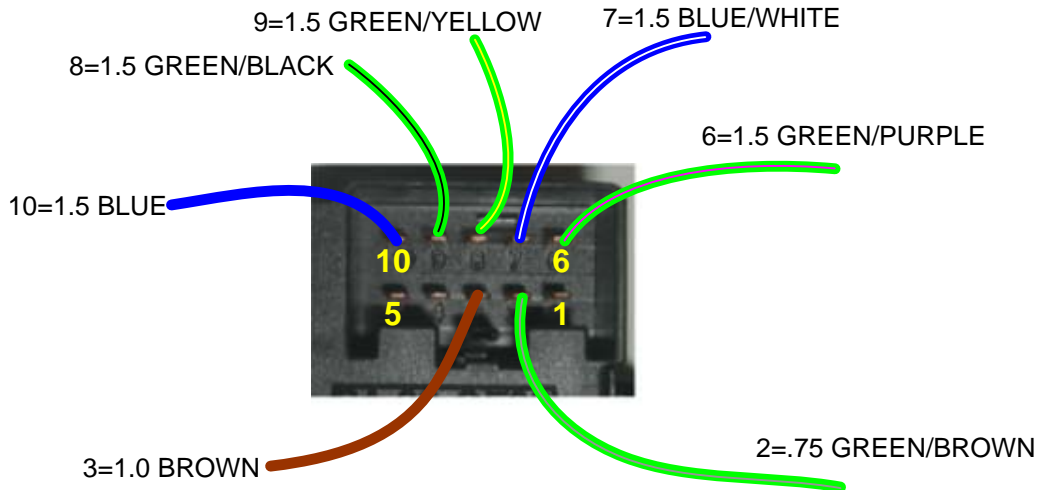
### HEAD LIGHT SWITCH

2	TO REAR FOGLIGHT FUSE
3	TO SPOTLIGHT RELAY
6	RED/BLACK TO DIP SW. YELLOW TO LO BM RELAY
7	BRIDGE TO 16
8	TO IGNITION FUSE No. 23
9	TO ILLUMINATION SPLICE
11	TO MAXIFUSE
12	TO IGNITION SW. PIN 2
13	TO LEFT & RIGHT PARK FUSES



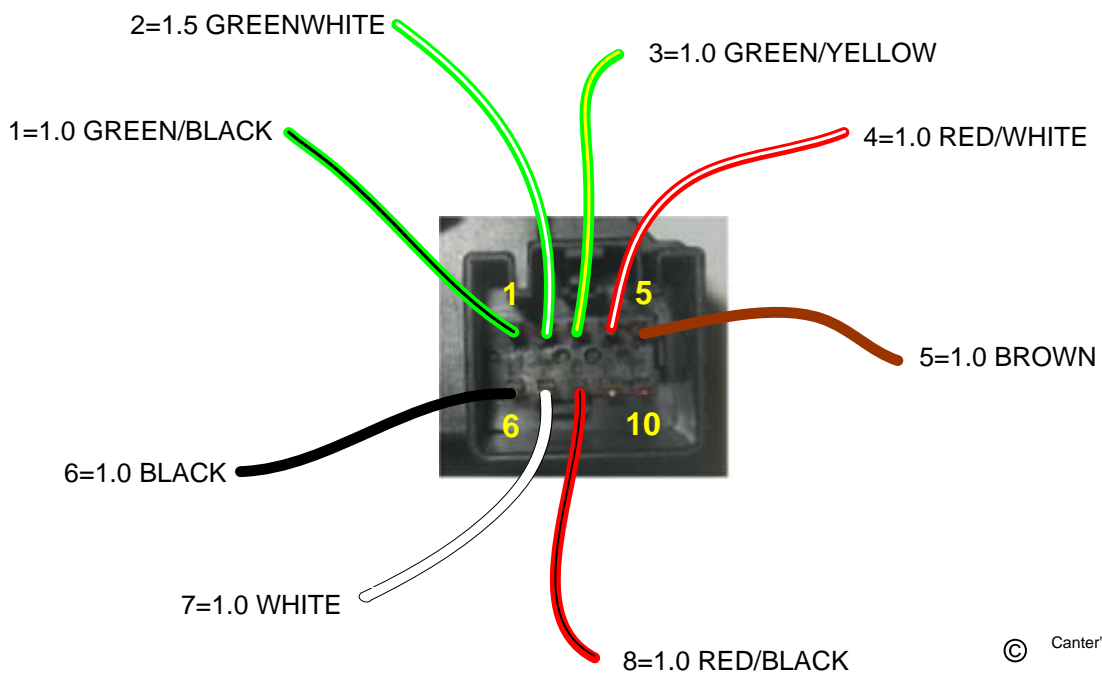
WIPER/WASH SWITCH

2	TO WASHER MOTOR
3	TO EARTH
6	TO FUSE 20
7	TO INTERMITTENT RELAY PIN 31b2
8	TO WIPER MOTOR
9	TO WIPER MOTOR
10	TO INTERMITTENT RELAY PIN 54



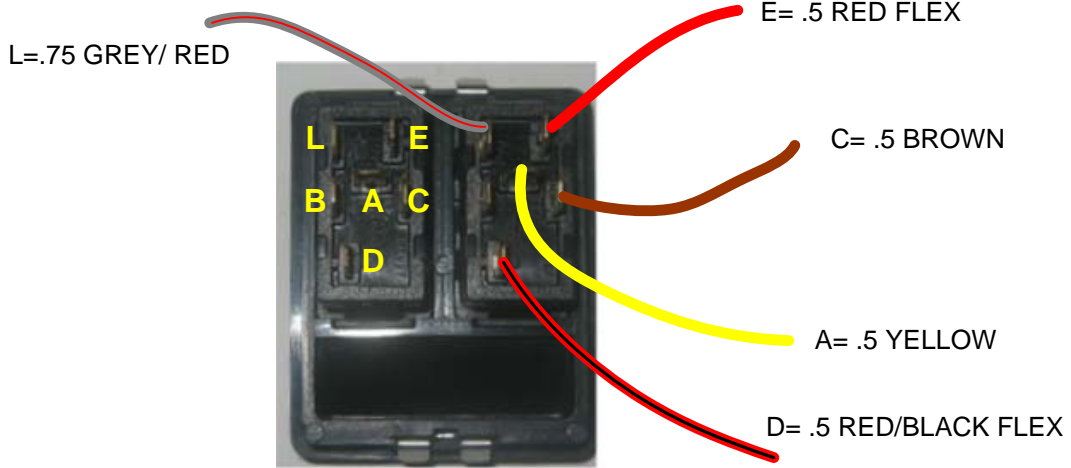
TURN/DIP SWITCH

1	TO LH TURN LIGHTS
2	TO TURN FUSE 17
3	TO RH TURN LIGHTS
4	TO FLASHER UNIT PIN C
5	TO EARTH
6	TO METER FUSE 21
7	TO HI BEAM RELAY
8	TO HEAD LIGHT SWITCH



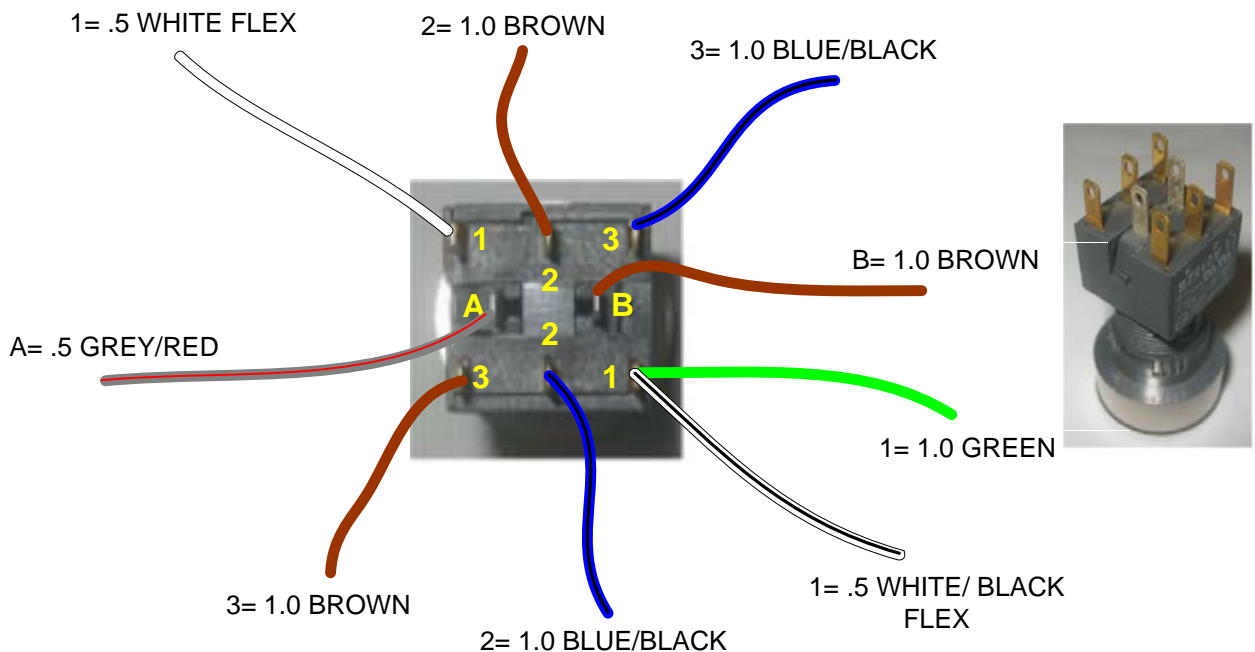
WINDOW SWITCH

L	TO ILLUMINATION SPLICE
E	TO WINDOW RELAY PIN 85
C	TO EARTH SPLICE
A	TO ACCESSORY SUPPLY SPLICE
D	TO WINDOW RELAY PIN 85



CENTRE CONSOLE DEMIST SWITCH

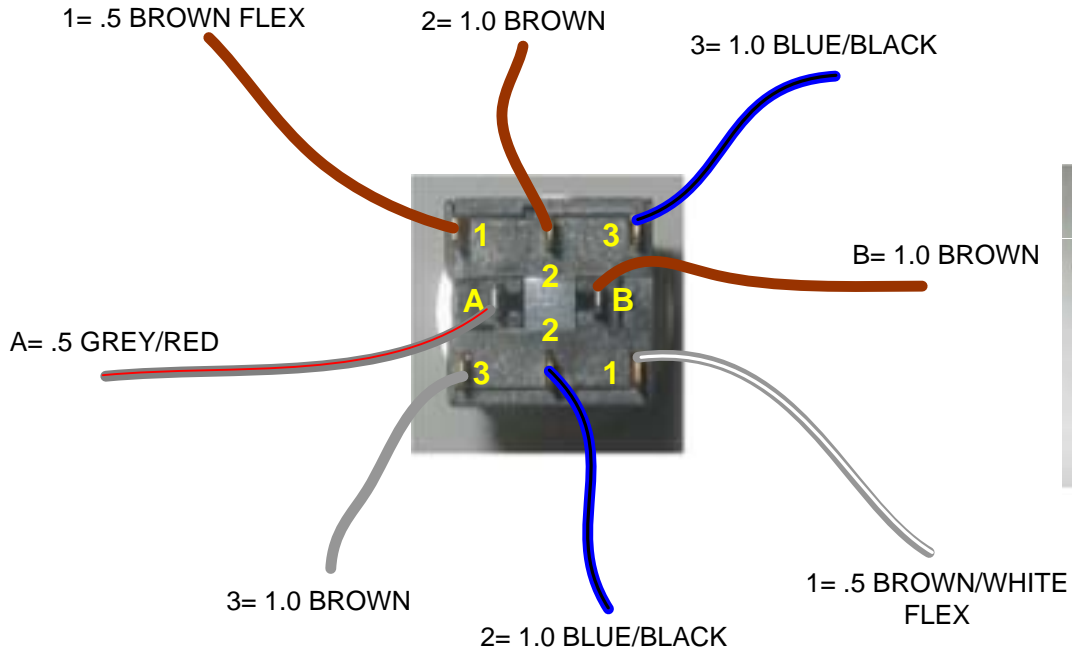
1	TO DEMIST ACTUATOR
2	TO EARTH
3	TO FUSE 19
A	TO ILLUMINATION SPLICE
B	TO EARTH
3	TO EARTH
2	TO FUSE 19
1	TO DEMIST ACTUATOR





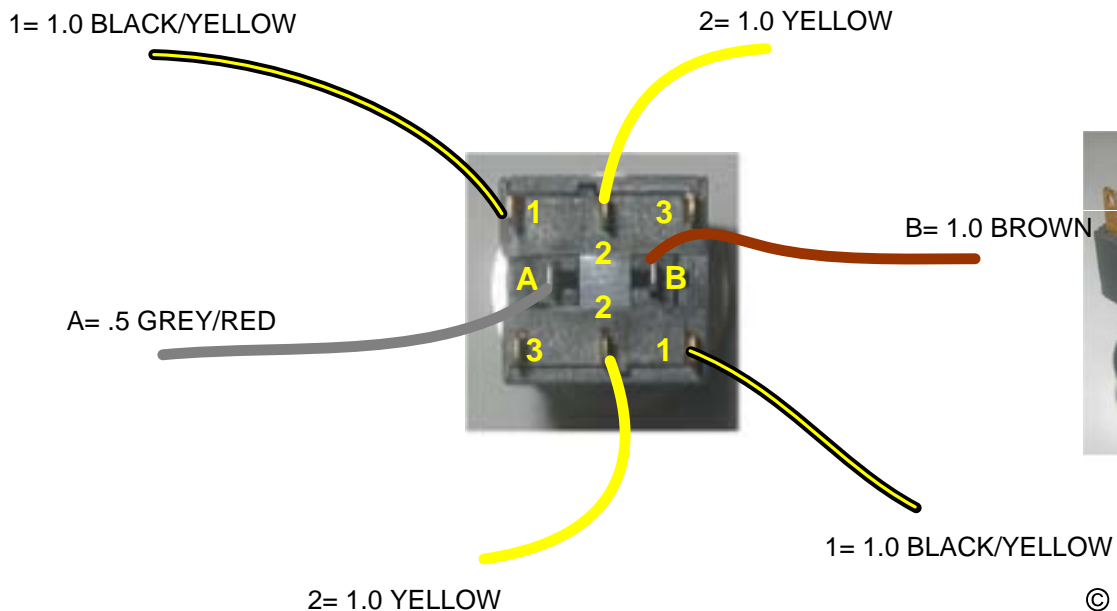
## CENTRE CONSOLE RECIRCULATION SWITCH

1	TO DEMIST ACTUATOR
2	TO EARTH
3	TO FUSE 19
A	TO ILLUMINATION SPLICE
B	TO EARTH
3	TO EARTH
2	TO FUSE 19
1	TO DEMIST ACTUATOR



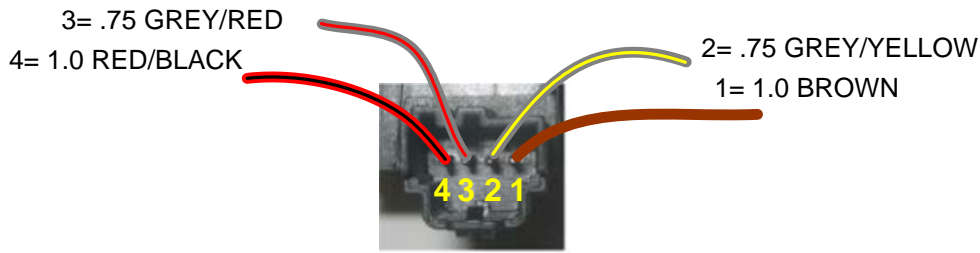
## HAZARD SWITCH

1	TO HAZARD FUSE 2
2	TO LEFT TURN
3	
A	TO ILLUMINATION SPLICE
B	TO EARTH
3	
2	TO RIGHT TURN
1	TO HAZARD FUSE 2



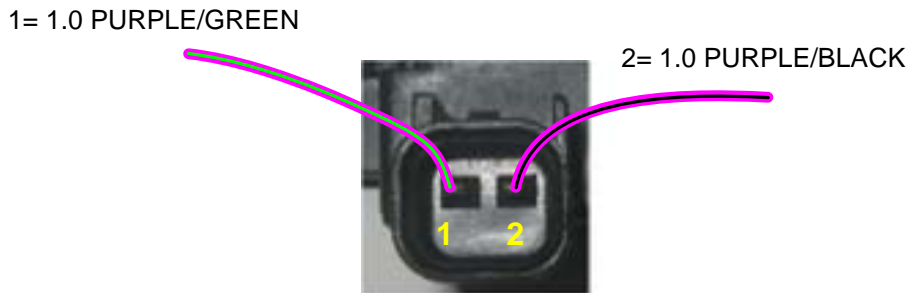
## DOOR LOCK SWITCH

1	TO EARTH
2	TO CL RELAY
3	TO ILLUMINATION SPLICE
4	TO CL RELAY



## DOOR LOCK MOTOR

1	TO CL RELAY LOCK
2	TO CL RELAY UNLOCK

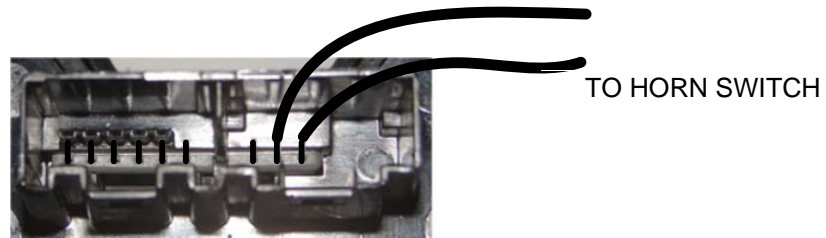


## CLOCKSPRING HORN DASH SIDE

3	TO EARTH
4	TO HORN RELAY

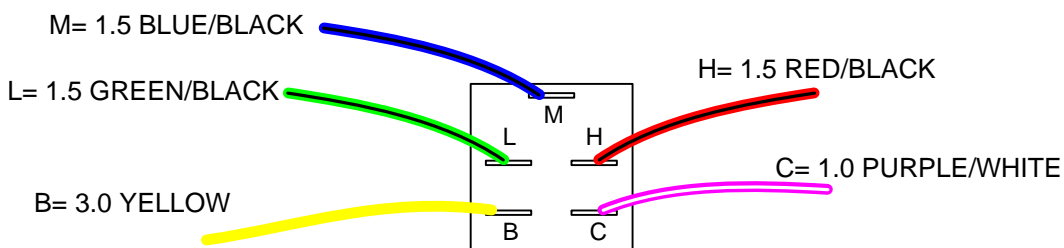


## CLOCKSPRING HORN STEERING WHEEL SIDE



## BLOWER SWITCH

B	TO BLOWER RELAY PIN 87
C	TO A/C SWITCH
L	TO BLOWER MOTOR 1st SPEED
M	TO BLOWER MOTOR 2nd SPEED
H	TO BLOWER MOTOR 3rd SPEED



# A/C SWITCH

1	"TO BLOWER SWITCH PIN C
2	TO THERMOSTAT
3	
A	TO ILLUMINATION SPLICE
B	TO EARTH
3	
2	
1	

