



DB7

Workshop Manual
(Issue II - Volume 2)



ASTON MARTIN LAGONDA LIMITED

Tickford Street, Newport Pagnell, Buckinghamshire, England MK16 9AN

Telephone: (01908) 610620 Fax: (01908) 613708

Whilst every effort has been made to ensure the accuracy of particulars contained in this Workshop Manual, neither the Manufacturers nor the Dealer, by whom this Manual is supplied, shall in any circumstances be held responsible for any inaccuracy or the consequences thereof.

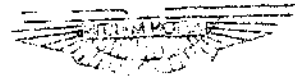
All rights reserved. No part of this publication may be reproduced, stored in a retrieval system or transmitted, in any form, electronic, mechanical, photocopying, recording or other means without prior written permission from Aston Martin Lagonda Limited.

The manufacturers reserve the right to vary specifications without notice in accordance with their policy of continual product improvement.

Produced by the Technical Publications Department

ASTON MARTIN LAGONDA LIMITED

Introduction



Workshop Manual Sections

The DB7 Workshop Manual is divided into 9 sections as follows:

1. Engine
2. Fuel, Emission Control and Exhaust
3. Transmission
4. Suspension and Steering
5. Brakes, Wheels and Tyres
6. Electrics
7. Chassis and Body
8. Air Conditioning
9. Aston Martin Diagnostic System

Procedure Numbering

The workshop manual procedures are numbered using the parts list numbers as a key. The first two digits of a workshop manual procedure number are also the parts list number (e.g. 1.5.01 Sump Removal relates to PL 1.5 Oil Pump and Sump). Thus when carrying out a procedure, you can quickly locate the relevant parts illustration and spare parts list.

To avoid excessive repetition, each procedure will be fully detailed once in its appropriate place in the manual. In any other location where this procedure is required, it will be referenced only by its title and its procedure number.

Special Tools

Where special service tools are required to perform an operation, the tool number is recorded at the point of use within the procedure. An index and illustrated list is provided in this section for the purpose of identifying special tools.

References

References to the left, right, front or rear of the vehicle or of a component are always made as if sitting in the drivers seat facing forward. Any such references to assemblies removed from the vehicle are to the normal orientation of the assembly when fitted in the vehicle.

Repairs and Replacements

Where replacement parts are required, it is essential that only genuine Aston Martin parts are used. Your attention is drawn to the following points concerning repairs and the fitting of genuine Aston Martin parts and accessories:

- Safety features embodied in the vehicle may be impaired if other than genuine Aston Martin parts are fitted. In certain territories, legislation prohibits the fitting of parts which are not produced to the manufacturers specification.
- Adhere to torque wrench settings given in this manual.
- Locking devices, where specified, must be fitted. If the efficiency of a locking device is impaired during removal, it must be renewed.
- The vehicle warranty may be invalidated by the fitting of other than genuine Aston Martin parts.

Safety Precautions

All service workshops are a source of potential danger and repair work should only be performed by technically trained staff following the procedures in this manual. A safety conscious approach to the performance of all service procedures must be observed at all times. Statutory requirements governing all aspects of health and safety at work including directives for the proper use of materials and equipment must be implemented.

The following contains a list of particular safety precautions which should be observed; it is not intended to be exhaustive.

Air Conditioning System

Do not disconnect any air conditioning refrigerant system pipes unless trained and instructed to do so. The refrigerant used can cause blindness if allowed to contact your eyes.

Chemical Handling and Storage

Chemicals used in the servicing of motor vehicles include acids, adhesives, antifreeze, brake fluids, coolants, grease, oil, paint, resin and solvents. Exposure to certain chemicals through direct contact or inhalation can be fatal.

Potential hazards may also be present through the incorrect use, storage and handling of chemicals causing a fire risk. The following precautions should be observed.

1. Strictly adhere to handling and safety information found on containers and labels.
2. Do not store chemicals in unlabelled or incorrectly labelled containers.
3. Containers used for storing chemicals should not be left open; there is a risk of spilling, or evaporation of fumes which may be inflammable or toxic.
4. Do not mix chemicals unless instructed to do so following manufacturers guidelines.
5. Do not inhale chemical materials to determine identity, they may be toxic.
6. Do not use petrol, kerosene, diesel fuel, gas oil, thinners or solvents for washing skin.
7. Containers whose capacity is over 25 litres (5 gallons) require a bund wall in order to contain spillages.
8. Chemicals based on solvents such as paint should not be sprayed in a confined space; work areas used for such operations should be well ventilated and fume extraction equipment should be utilised.
9. Ensure that adequate ventilation is provided when volatile de-greasing agents are being used.

WARNING: Fume extraction equipment must be in operation when solvents are used e.g. trichloroethane, white spirit, SBP3, methylene chloride, perchlorethylene.

WARNING: Do not smoke in the vicinity of volatile de-greasing agents.

10. Avoid splashing the skin, eyes and clothing.
11. Clean chemicals from the skin and clothing as soon as possible after soiling.
12. Wear protective clothing such as goggles, non porous gloves and apron when handling battery acid and other corrosive and toxic substances.

Safety Precautions (continued)**Electrical Equipment**

1. Ensure that electrical equipment is in safe working order before use.
2. Inspect power leads of all mains electrical equipment for damage and security, and check that it is properly earthed.
3. Ensure that electrical equipment is protected by a fuse of the correct current rating.
4. Disconnect the battery before commencing repair operations to the electrical system, fuel system and engine or when working beneath the vehicle.

Exhaust Fumes

Engines should not be run in confined spaces, exhaust fumes contain harmful and toxic substances including carbon monoxide which can prove fatal if inhaled. Engines must only be run where there is fume extraction equipment in operation or where there is adequate ventilation.

Fire Precautions

1. Ensure that a suitable form of fire extinguisher is conveniently located near the work area.
2. Keep oils, solvents and combustible materials away from naked flames and other sources of ignition.
3. Ensure that NO SMOKING signs are posted around areas where combustible materials and vapour may be present and ensure that the warnings are strictly observed.
4. Ensure that dry sand is available to soak up any spillage of fuel or other flammable solutions.
5. Fume extraction equipment must be available and in full working order to remove combustible and toxic vapours.
6. All personnel should be aware of the fire drill procedures and precautions.

Jacking and Lifting

1. The recommended procedures for lifting, jacking and towing are included later in this section and must be strictly observed to ensure personal safety.
2. Always use a vehicle hoist, ramp or pit for working beneath the car in preference to jacking.
3. Never rely on a jack to support a car independently, use axle stands or blocks carefully placed at the jacking points to provide rigid support.
4. When working beneath a vehicle, chock the wheels as well as applying the handbrake.
5. Ensure that the vehicle is standing on firm level ground before jacking or lifting.
6. Check any lifting equipment used has adequate capacity for the load being lifted and is in full working order.

Tools and Equipment

1. Do not leave tools, equipment, spilt oil, etc. around or on the work area.
2. Ensure that tools and equipment used are in good condition; do not use damaged or defective tools or equipment.
3. Do not apply heat in an attempt to free stiff nuts or fittings; as well as causing damage to protective coatings, there is a risk of damage to electronic equipment and brake lines from stray heat.
4. Use the recommended service tool where instructed to do so.

Safety Precautions (continued)

Used Engine Oil

Prolonged and repeated contact with mineral oil will result in the removal of natural fats from the skin, leading to dryness, irritation and dermatitis. In addition, used engine oil contains potentially harmful contaminants which may cause skin cancer. Adequate means of skin protection and washing facilities should be provided.

Health protection precautions:

1. Avoid prolonged and repeated contact with oils, particularly used engine oil.
2. Wear protective clothing, including impervious gloves where practicable.
3. Do not put oily rags in pockets.
4. Avoid contaminating clothes with oil.
5. Overalls must be cleaned regularly. Discard unwashable clothes and oil impregnated footwear.
6. First aid treatment should be obtained immediately for open cuts or wounds.
7. Use barrier creams, apply before each work period to help the removal of oil from the skin.
8. Wash with soap and water to ensure all oil is removed. Preparations containing lanolin replace the natural skin oils which have been removed.
9. Do not use petrol, kerosene, diesel fuel, gas oil, thinners or solvents for washing skin.
10. If skin disorders develop, obtain medical advice.
11. Where practicable, degrease components prior to handling.
12. Where there is a risk of eye contact, eye protection should be worn. In addition, an eye wash facility should be provided.

Environmental Protection

It is illegal to pour used oil on the ground, down sewers or drains, or into water courses. The burning of used engine oil in small space heaters or boilers is not recommended unless emission control equipment is fitted; in case of doubt, contact the Local Authority for advice on disposal facilities.

Contents

Introduction	iii
Safety Precautions	iv



Contents

Repair Procedures

6.1.01	Headlamp Unit	6-3
6.1.02	Headlamp Alignment	6-3
6.1.03	Front Indicator/Parking Lamp Unit	6-4
6.1.04	Front Fog Lamp Assembly	6-4
6.1.05	Side Repeater Lamps	6-4
6.2.01	Windscreen Wiper Motor	6-5
6.3.01	Alternator	6-5
6.3.02	Starter Motor	6-6
6.5.01	Steering Wheel and Horn Switches	6-6
6.5.02	Column Switches	6-6
6.5.03	Ignition Switch	6-7
6.5.04	Instrument Panel	6-7
6.5.05	Radio	6-8
6.5.06	Air Conditioning and Switch Panel	6-8
6.5.07	Cruise Control, Window and Gearshift Switches	6-9
6.5.08	Seat Control Switch Panels	6-9
6.6.01	Front Interior Lamps	6-10
6.6.02	Rear Interior Lamps	6-10
6.6.03	Front Seat Removal	6-10
6.6.04	Front Seat Runner Assembly	6-11
6.6.05	Front Seat Rail Motor	6-11
6.6.06	Lumbar Support Motor	6-12
6.6.07	Seat Recline Motor	6-12
6.6.08	Seat Control Unit	6-12
6.7.01	Door Edge Lamps	6-12
6.7.02	Rear Lamp Cluster	6-13
6.7.03	Door Central Locking Motors	6-13
6.7.04	Door Window Motor	6-14
6.7.05	Door Mirror Assembly	6-15
6.7.06	Transmission Control Module - Renew (TCM)	6-16
6.7.07	Barometric Pressure Sensor - Renew	6-17

Electrical Component Location and Wiring Information - Up to 97 MY

Component Index	6-19
Component Location Diagrams	6-23
Electronic Control Unit Location Diagram	6-38
Relay Panel, Fusebox and Earth Point Location Diagram	6-39
Loom Location Diagrams	6-40
Wiring Diagrams and Splice Lists	6-42

Electrical Component Location and Wiring Information - 97 MY

Component Index	6-43
Component Location Diagrams	6-47
Relay Location Diagrams	6-64
Wiring Diagrams and Splice Lists	6-68
Airbag System - Repair and Diagnostic Procedures	6-69
Seat Belt Pretensioner System - Repair and Diagnostic Procedures	6-101
Security System (Restricted Circulation)	6-111
PATS System (Restricted Circulation)	6-121

97.5 Model Year

6.6.03	Seat Removal (97.5 MY)	6-127
6.6.08	Seat Control Module (97.5 MY)	6-128

6.1.01 Headlamp Unit

Procedure

1. Remove the front apron undertray and remove the complete nose assembly.
2. Release the headlamp plug from the body clip and disconnect the plug.

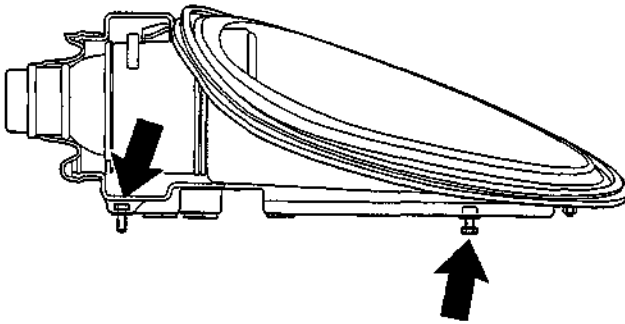


Figure 1. Headlamp Removal

3. Remove 1 bolt from the front headlamp mounting.
4. Remove the main beam lamp access cover and loosen the rear headlamp mounting bolt.
5. Lift off the headlamp assembly.
6. On refitting the headlamp assembly, carry out the headlamp alignment procedure.

6.1.02 Headlamp Alignment

Data

Main Beam Alignment	1.5° down
Dipped Beam Alignment	1.5° down

Tools

Headlamp Alignment Gauge

Procedure

1. Lift the bonnet and remove the main beam access cover from the headlamp unit.
2. Using the large hex adjusters, align the outer dipped beams to the correct pattern in a headlamp alignment gauge

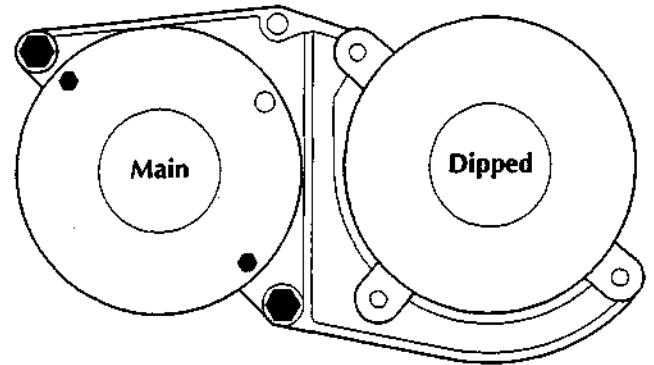
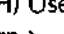


Figure 1. Headlamp Alignment

3. Using the small hex adjusters, set the inner main beam alignments so that the bright spot is centralised and 1.5° down in the alignment gauge. If necessary, fine tune the adjustment to suit average vehicle loading and driver requirements.

Dipped Beam Conversion - UK-Europe-UK

1. Access the dipped beam lamps through the panels in the wheel arch liners.
2. Cut the tie strap securing the rubber gaiter and pull back the gaiter.
3. Slacken 3 screws securing the lamp backplate (Figure 2) and rotate the plate to the right for UK or to the left for Europe to the limit of the bolt slots.

1. For European (RH) Use (Beam Pattern )
2. For UK (LH) Use (Beam Pattern )

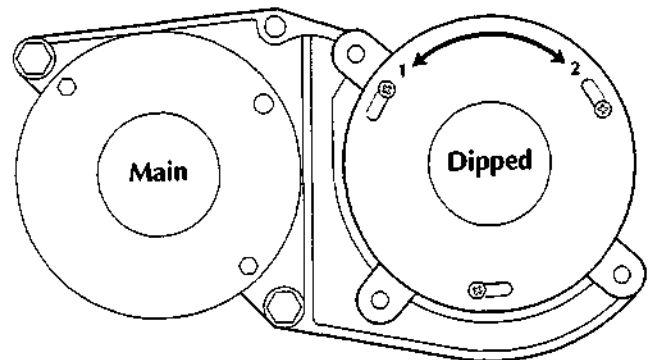
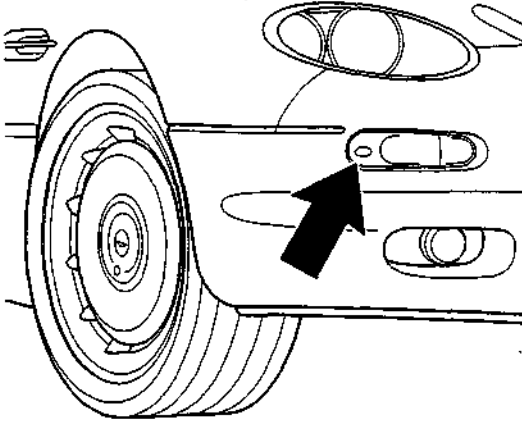


Figure 2. Dipped Beam Conversion UK-Europe

4. Tighten the three screws, replace the gaiter and secure it with a new tie strap.

6.1.03 Front Indicator/Parking Lamp Unit**Procedure**

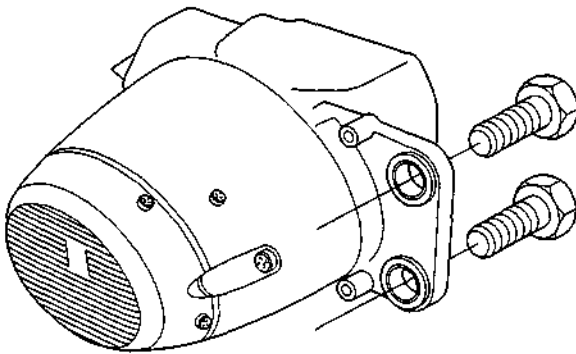
1. Release the single captive screw at the outboard end of the assembly and remove the assembly from the front apron.

*Figure 1. Indicator/Parking Lamp Removal*

2. Disconnect the 2 electrical plugs at the rear of the assembly and remove the lamp unit.

6.1.04 Front Fog Lamp Assembly**Procedure**

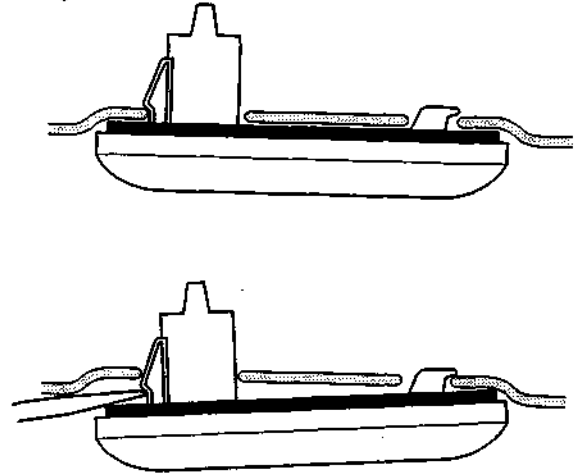
1. Remove the front apron undertray. Access the rear of the fog light assembly

*Figure 1. Front Fog Lamp Removal*

2. Remove two bolts and lower the lamp assembly from its bracket.
3. Disconnect the lamp loom and remove the fog lamp assembly.

6.1.05 Side Repeater Lamps**Procedure**

1. Protect the surrounding paintwork and use a screwdriver to lever the assembly from the front wing.

*Figure 1. Side Repeater Lamp Removal*

2. Disconnect the wiring at the rear of the lamp and remove the assembly.

6.2.01 Windscreen Wiper Motor

Procedure

1. Disconnect the battery.
2. Disconnect the wiper motor multi-plug.
3. Remove the nut and lockplate (Fig 1-1) from the motor gearbox shaft and release the drive bracket from the shaft.

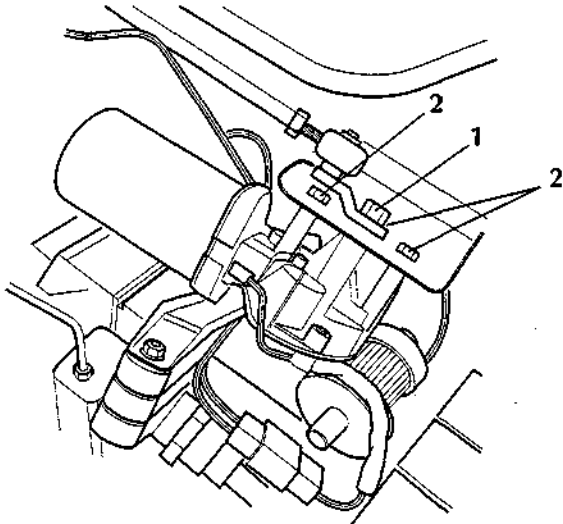


Figure 1. Windscreen Wiper Motor

4. Remove three nuts (Fig 1-2) and remove the motor from its mounting bracket.

6.3.01 Alternator

Procedure

1. Disconnect the battery earth lead.
2. Using a 3/8" ratchet handle, release the drive belt tension. Slip the belt from the water pump drive pulley and from the alternator drive pulley.
3. Release the ignition leads from the support on the alternator top mounting.
4. Remove the alternator output lead cover, remove the nut and washers and disconnect the alternator output lead.
5. Disconnect the electrical plug on the rear of the alternator.
6. Remove the alternator lower mounting bolt.

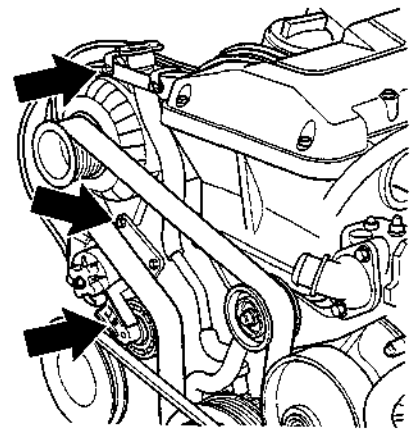


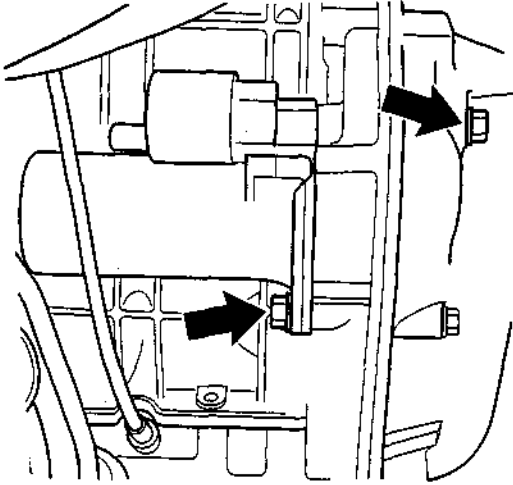
Figure 1. Alternator Mountings

7. Loosen the alternator upper mounting bolt, support the alternator, remove the upper bolt and the alternator.

Replacement is the reverse of the removal procedure. The drive belt is tensioned automatically by the spring loaded idler on refitting the main drive belt.

6.3.02 Starter Motor**Procedure**

1. Disconnect the battery.
2. Remove the inlet air trunking.

*Figure 1. Starter Motor Mountings*

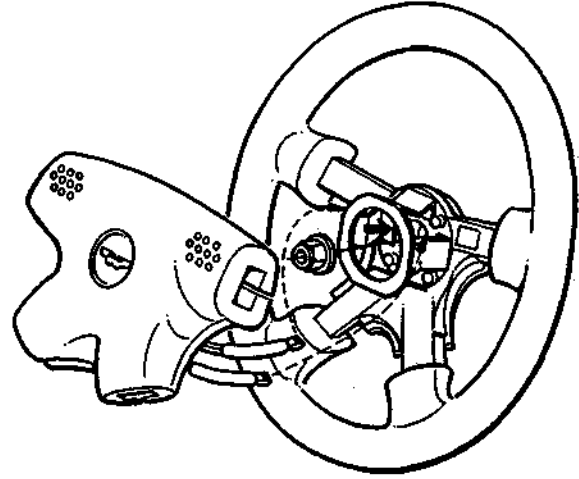
3. Disconnect the starter solenoid connector and the starter motor power lead at the solenoid.
4. Remove the top starter motor securing bolt.

Note: The top bolt is from the engine side on auto cars and from the gearbox side on manual cars.

5. Raise the car on a hoist and whilst supporting the motor, remove the lower starter motor securing bolt.
6. Lift the motor from the bell housing and remove it from the vehicle by positioning it vertically and lowering it down in front of the oil filter.

6.5.01 Steering Wheel and Horn Switches**Procedure**

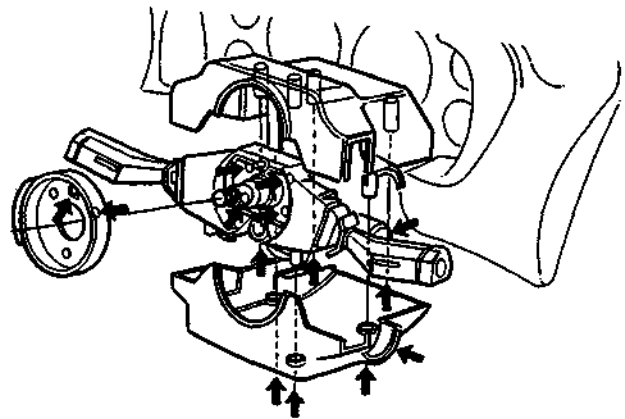
1. Remove the steering wheel centre pad.

*Figure 1. Steering Wheel and Horn*

2. Mark the position of the steering wheel relative to the steering column to ensure correct replacement.
3. Remove the steering wheel securing nut and remove the steering wheel.

6.5.02 Column Switches**Procedure**

1. Remove the steering wheel.
2. Remove three screws and the column switch cover.

*Figure 1. Column Mounted Switches*

3. Cut the tywraps securing the switch loom to the steering column. Disconnect the loom plugs.
4. Release 4 screws and lift the switch assembly off the steering column.

6.5.03 Ignition Switch

Procedure

1. Disconnect the battery.
2. Remove three screws and the steering column lower cover.

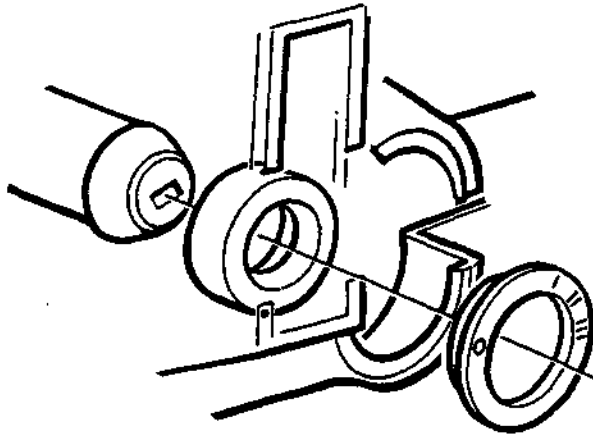


Figure 1. Ignition Switch

3. Loosen the grub screw securing the switch and ease the switch from its location.
4. Disconnect the switch multi-plug and remove the switch.

6.5.04 Instrument Panel

Procedure

1. Disconnect the battery.
2. Remove the four screws from the instrument panel surround and remove the surround.

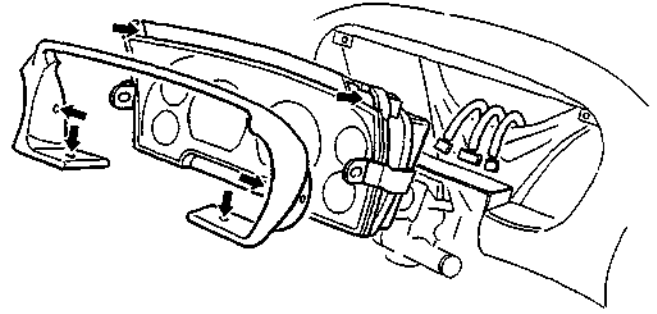


Figure 1. Instrument Panel Removal

3. Remove two screws from the top edge of the instrument panel and withdraw the panel.
4. Detach the three electrical connectors and remove the instrument panel.
5. Panel warning lamps are 1.2W bayonet fit. The larger panel illumination lamps are also 1.2W bayonet fit.

6.5.05 Radio

Procedure

1. Press the release button and remove the radio front control panel.

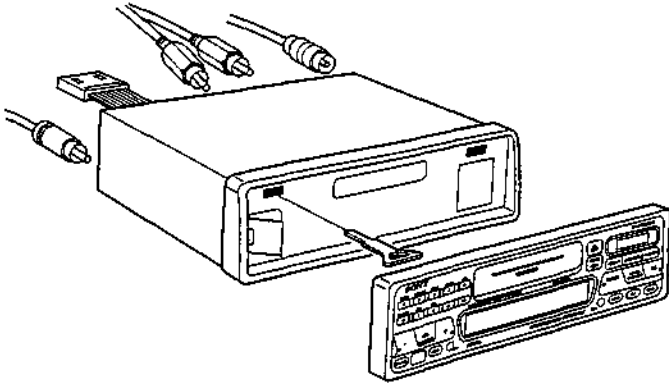


Figure 1. Radio Removal

2. Insert the radio removal tool into the slots in the top edge of the radio body to release the catches. Pull forward on the radio and remove it from the centre console.
3. Disconnect the speaker, CD, aerial, power and earth connectors.

6.5.06 Air Conditioning and Switch Panel

Procedure

1. Remove the radio.
2. Pull off the air conditioning control knobs.
3. Lift of the console controls finisher panel.

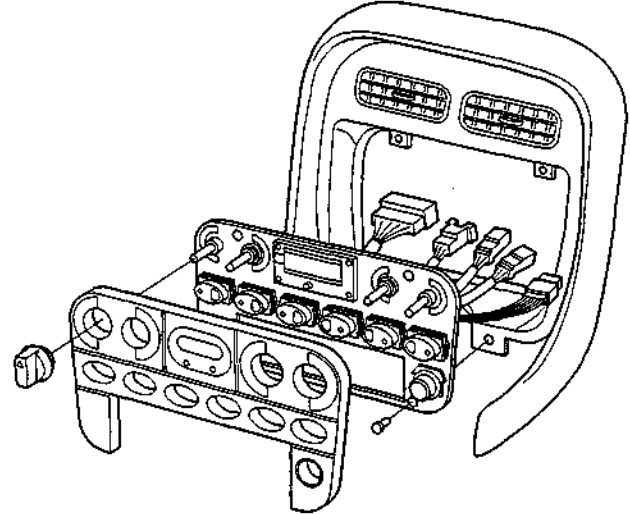


Figure 1. Air Conditioning Panel Removal

4. Remove four screws and pull forward the centre console control panel.
5. Disconnect the five connectors in the centre console wiring and remove the centre console control panel.

6.5.07 Cruise Control, Window and Gearshift Switches

Procedure

1. Protect the wood finisher around the switches.

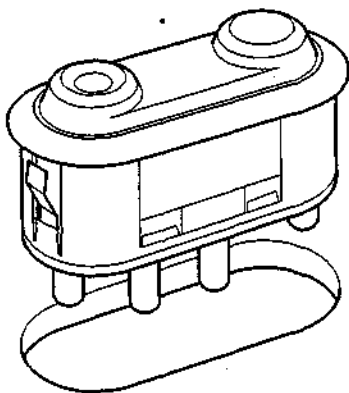


Figure 1. Switch Removal

2. Using a suitable lever, raise each end of the switch to release the spring clips.
3. Pull the switch clear of the wood finisher and disconnect the switch wiring.

6.5.08 Seat Control Switch Panels

Procedure

1. Remove the wood trim above the passenger side dash.
2. Remove the ashtray (Fig 1-1).

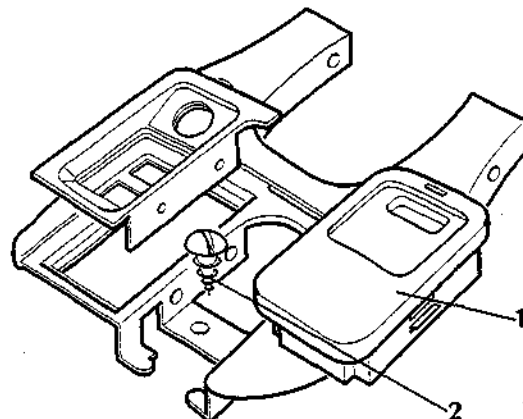


Figure 1. Ashtray and Ashtray Well

3. Remove the gear selector knob.
4. Release the screw in the ashtray well (Fig 1-2) securing the gearshift and centre console surround.
5. Raise the console surround and support it to gain access to the seat control panel.
6. Disconnect the multi-plug in the seat switch loom.
7. Remove 2 screws (Fig 2-1) and the seat control switches.

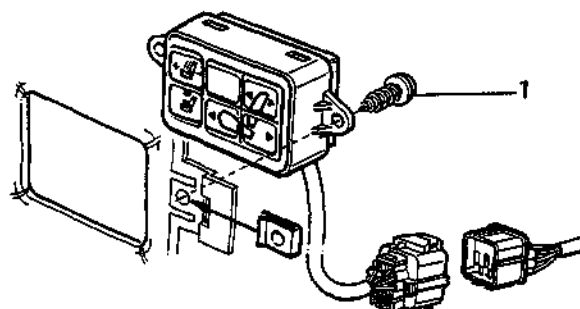
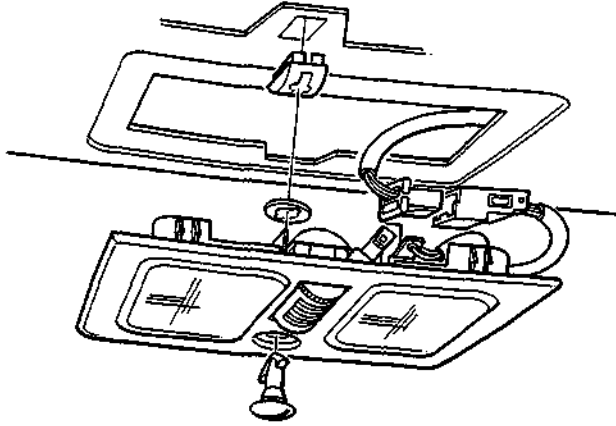


Figure 2. Seat Control Switch Panel Removal

6.6.01 Front Interior Lamps**Procedure**

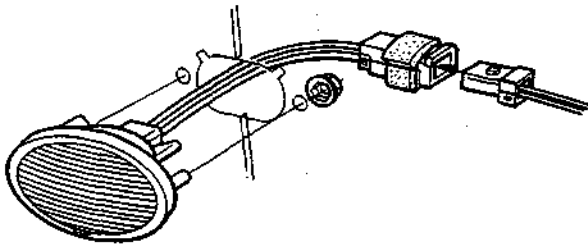
1. Release the quarter turn fastener on the front interior light assembly and lower the assembly from the roof liner.

*Figure 1. Front Interior Lamp*

2. Disconnect the interior lamp plug and remove the interior lamp assembly.

6.6.02 Rear Interior Lamps**Procedure**

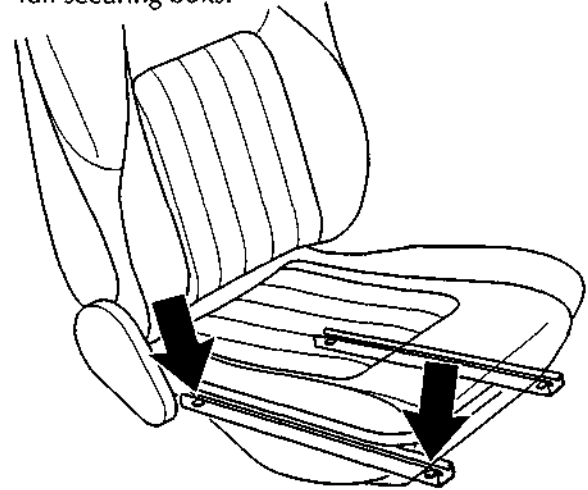
1. Release the rear upper trim panel.
2. Remove two spire washers and the rear interior lamp assembly.

*Figure 1. Rear Interior Lamps*

3. Disconnect the lamp wiring and remove the lamp assembly.

6.6.03 Front Seat Removal**Procedure**

1. Motor the front seat forward and remove the rear securing bolts for the seat rails.
2. Motor the seat to the rear and remove the front seat rail securing bolts.

*Figure 1. Front Seat Removal*

3. Lift the footwell carpet, release the access plate securing screws and remove the plate to gain access to the seat control unit.
4. Cut and remove the tywraps securing the seat loom.
5. Disconnect the seat harness connectors at the control unit.
6. Remove the seat assembly.

6.6.04 Front Seat Runner Assembly

Procedure

1. Remove the seat from the car.

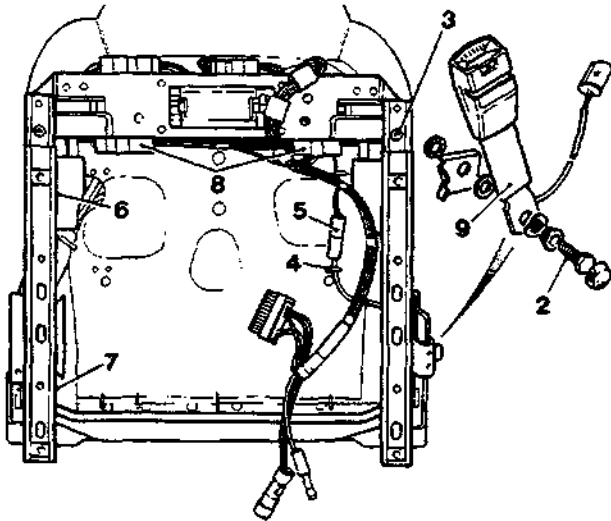


Figure 1. Front Seat Runner Removal

2. Cut the tywraps (Fig 1-4) securing the seat belt buckle harness and disconnect the buckle harness plug (Fig 1-5).
3. Position the runner as required and release the bolts (Fig 1-3) securing the front and rear of the seat frame.
4. Release the front harness from its retaining clips and disconnect the multi-plugs (Fig 1-8).
5. Remove the complete seat runner assembly (Fig 1-6).
6. Remove the seat belt bolt trim cover and remove the seat belt bolt (Fig 1-2), buckle and buckle bracket (Fig 1-9).
7. Fit and secure the seat belt buckle to the replacement seat runner assembly.

6.6.05 Front Seat Rail Motor

Procedure

1. Remove the seat from the vehicle.
2. Remove the front seat runner assembly from the seat.
3. Remove the seat harness clamp (Fig 1-1).
4. Disconnect the seat rail motor plug (Fig 1-10).

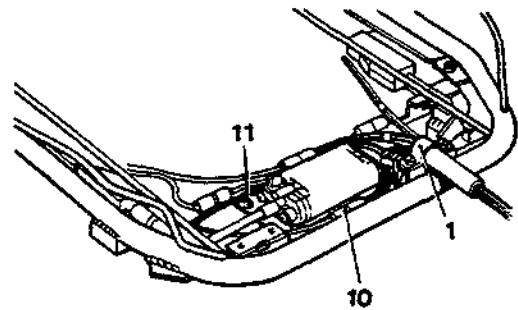
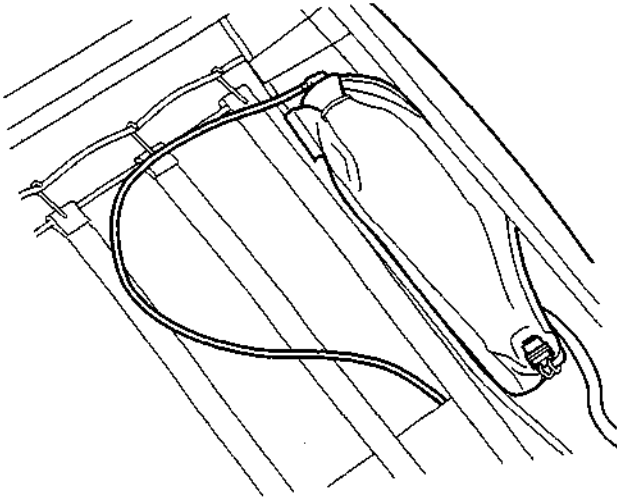


Figure 1. Front Seat Rail Motor Removal

5. Loosen the motor securing screws (Fig 1-11) and remove the motor/drive assembly.

6.6.06 Lumbar Support Motor**Procedure**

1. Remove the seat from the car and remove the seat back finisher panel.
2. Disconnect the lumbar motor plug and the lumbar diaphragm air line (Fig 1) and remove the motor.

*Figure 1. Lumbar Support Motor Removal***6.6.07 Seat Recline Motor****Procedure**

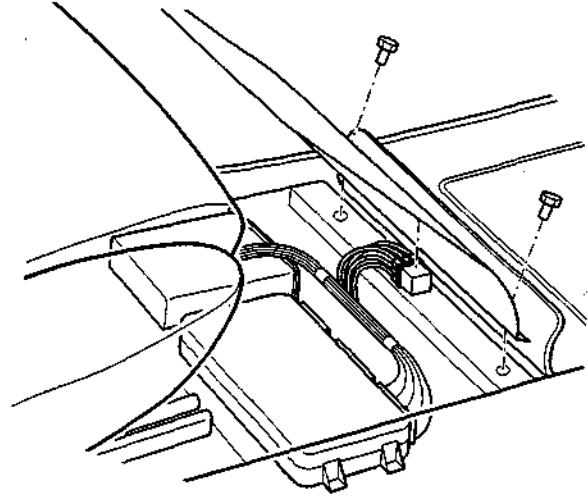
1. Remove the seat from the car and remove the seat back finisher panel.
2. Disconnect the recline motor connector.

*Figure 1. Seat Recline Motor Removal*

3. Disconnect the trigger cable from the motor.
4. Loosen two screws and remove the recline motor from its bracket.

6.6.08 Seat Control Unit**Procedure**

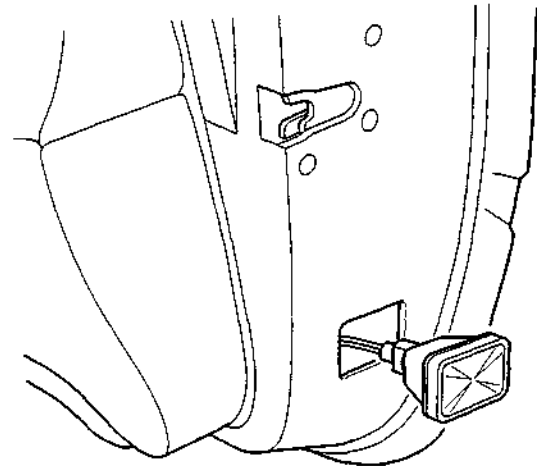
1. Lift the footwell carpet, release the access plate securing screws and remove the plate to gain access to the seat control unit.

*Figure 1. Seat Control Unit Removal*

2. Disconnect the multiplug from the control unit.
3. Release the securing screws and remove the seat control unit.

6.7.01 Door Edge Lamps**Procedure**

1. Lever the lamp assembly from the door edge, taking precautions to protect the door paintwork.

*Figure 1. Door Edge Lamp Removal*

2. Disconnect the lamp wiring and remove the door edge lamp assembly.

6.7.02 Rear Lamp Cluster

Procedure

1. Remove the rear lamp cluster inner cover.
2. Release the boot rear liner
3. Release the two nuts and one screw securing the rear lamp surround and remove the surround.

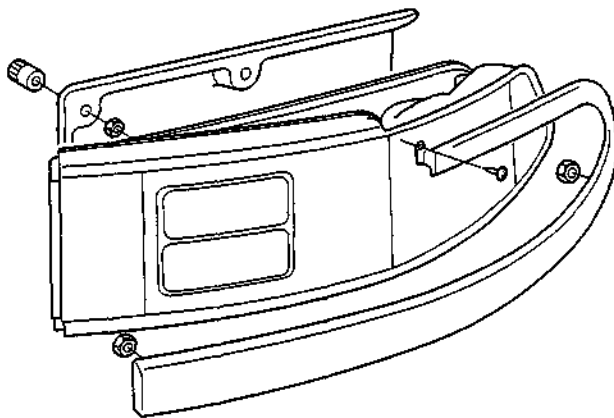


Figure 1. Rear Lamp Cluster

4. Disconnect the rear lamp cluster multi-plug.
5. Remove six nuts from the rear of the assembly and lift out the lamp cluster.

Door Mounted Components

Central Locking System

Description

The central locking system consists of motor operated lock actuators in both doors, the boot and the fuel flap mechanism. The central locking control module is located inside the drivers side 'A' post.

Each motor driven lock actuator incorporates a microswitch which will signal a change of state when any motor runs to drive the actuator. The microswitches are of the changeover type and provide an earth for the lock or unlock signals to the control unit.

The two door lock inputs to the control unit are connected together so that operation of either door lock with the ignition key will simultaneously operate the other door lock. Similarly, the unlock inputs to the control unit are also connected together for simultaneous operation.

The boot will remain locked or will be unlocked simultaneously with the doors dependant on the boot lock position. With the boot key turned clockwise, the boot lock operates in unison with the doors. With the boot key turned anticlockwise, the boot lock cannot be unlocked using the central locking system.

The boot can be opened at any time using the ignition key irrespective of the central locking status.

6.7.03 Door Central Locking Motors

Procedure

1. Remove the door inner panel.
2. Disconnect two plugs on the central locking motor unit and one plug on the door closed switch.
3. Release the interior door catch operating rod from its guide clips and detach it from the lock mechanism.
4. Disconnect the outer lock operating rod.
5. Remove three lock securing screws from the door rear edge.
6. Remove the motor and lock through the access hole.
7. Remove the motor securing screws and remove the motor from the lock assembly.

Electric Windows

Description

Power to the window wind circuits is available when the ignition switch is on and is supplied through a thermal cut-out to the left and right window switches. The switches are double pole plus earth so that the current through a window motor may be switched in either direction to raise or lower the window.

DB7 uses frameless door windows which seal against rubber strips around the body shell door opening. To avoid damaging these seals during door opening, the door glass must be lowered before the door can be opened. This function is controlled by the window control units. The units are mounted on the inside of each door frame and will sense if a door handle is pulled to open the door. Before releasing the door lock, the control unit will drive the window wind motor briefly to lower the door window glass down until it clears the window seals. Similarly, after closing a door, the window motor will be run to raise the door glass to seat the glass against the body seals.

Fault Analysis Procedure

- a) If a window fails to operate, check for fuse failure and the connectors for poor or open contacts.
- b) Check the thermal cut-out by shorting across it and operating either window. If the windows operate with the short circuit but not without, the cut-out is faulty.
- c) With the ignition on, battery voltage should be available between the input terminals of the switches and chassis. Operate each switch and ensure that battery voltage is available between the switch output terminals and chassis.
- d) Measure voltage from each switch input terminal to the switch earth return terminal. If no voltage is measured, the earth return line is open circuit.
- e) Measure continuity through the wiring from the switches to each motor. If continuity is correct, remove the motor for bench testing.

6.7.04 Door Window Motor

Procedure

1. Remove the door trim panel and the glass inner sealing trim.

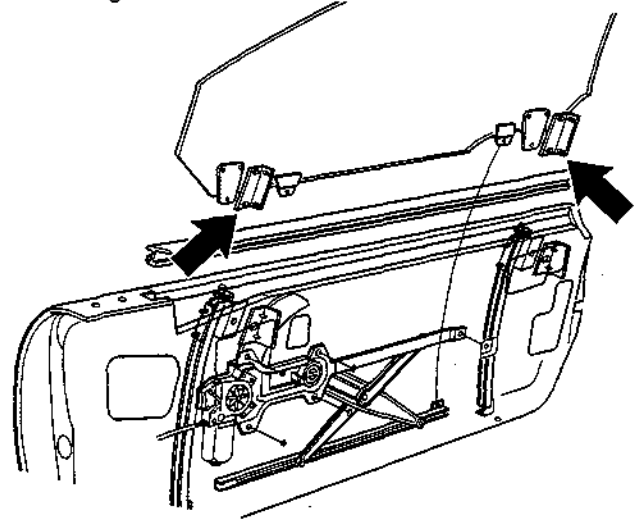


Figure 1. Window Securing Screws

2. Position the window to gain access to the slider bracket and glass securing screws.
3. Disconnect the battery earth lead.
4. Remove two screws securing the glass to each of the two slider brackets. Loosen the two screws securing the glass to the elevator rail.
6. Slide the elevator rail forwards until the glass securing screws are opposite the wide opening of the rail keyhole slots and remove the glass from the top of the door.
7. Disconnect the window motor multiplug.

- Remove four bolts from the motor bracket and one from the forward end of the lower elevator rail.

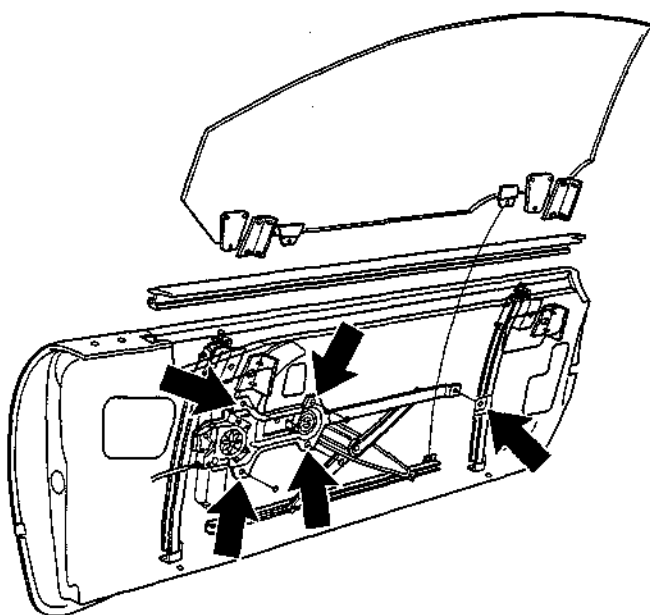


Figure 2. Motor and Elevator Securing Screws

- Lift out the elevator assembly through the door top.

6.7.05 Door Mirror Assembly

Procedure

- Remove the door interior trim panel and disconnect the door mirror switch.
- Disconnect the door mirror harness plug, noting the correct connection. Release the door mirror loom from its clips.

Note: Two plugs are fitted in the door loom, one for left and one for right hand doors. Ensure that the correct plug is connected on reassembly.

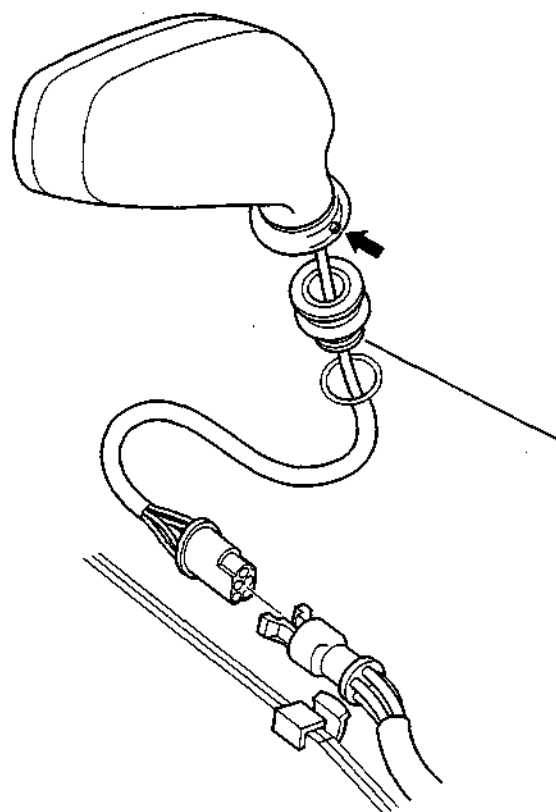


Figure 1. Door Mirror Assembly

- On the outside of the door, lift the sealing ring on the mirror mount and release one grub screw securing the mirror.
- Remove the mirror from the door.
- Remove the door mirror adaptor ring from the door to permit the mirror wiring socket to pass through the mounting hole and then remove the mirror.

6.7.06 Transmission Control Module - Renew (TCM)

Data

Torque Figures

Nut TCM to mounting bracket 2-3 Nm

Procedure

1. Disconnect the battery.
2. Remove the rear seat squab. Remove the rear quarter trim and the rear quarter lower trim pad.
3. Remove the TCM to mounting bracket securing nuts (Fig. 1-2) and remove one bracket.

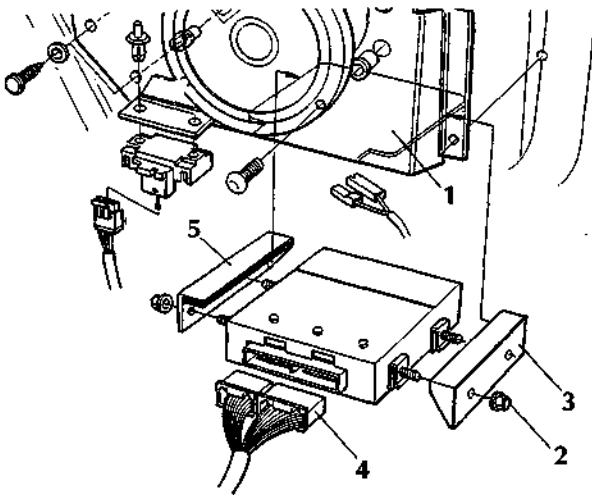


Figure 1

4. Remove the TCM and mounting bracket assembly from the body mounting bracket (Fig. 1-1).

5. Disconnect the TCM multi plug (Fig. 1-4) and remove the TCM.
6. Fit and align the left mounting bracket (Fig. 1-5) to the new TCM, and secure with two nuts. Connect the harness multi plug (Fig. 1-4) to the TCM. Fit the TCM and left mounting bracket assembly to the body mounting bracket (Fig. 1-1), ensure the left bracket slot is fully seated.
7. Fit the right mounting bracket (Fig. 1-3) to the TCM and to the body mounting bracket. Secure with two nuts.
8. Refit the rear quarter lower trim pad.
9. Refit the rear quarter trim panel.
10. Refit the rear seat squab.
11. Reconnect the battery.

6.7.07 Barometric Pressure Sensor - Renew

Data

Torque Figures

Sensor mounting nut 2-3 Nm

Procedure

1. Disconnect the battery.
2. Remove the left rear quarter trim panel to access the TCM and barometric pressure sensor.

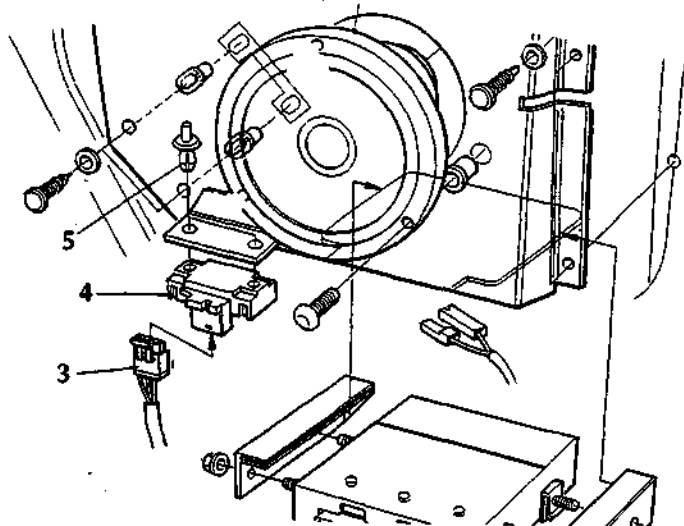


Figure 1

3. Disconnect the harness multi plug (Fig. 1-3) from the barometric pressure sensor (Fig. 1-4).
4. Release the two securing clips (Fig. 1-5) and remove the sensor).
5. Fit the new sensor into position, and secure with the two clips.
6. Connect the multi plug.
7. Refit the interior trim.
8. Reconnect the battery.

DB7 Electrical Component Location and Wiring Information

The following pages contains electrical component location and electrical wiring diagrams.

Component Index

The following list details all of the functional electrical components of the DB7. The list is given in alphabetical order with component location and wiring diagram references for each component.

Component Location on the vehicle

To locate a component on the vehicle, find its name in the component index and note the component location reference.

The component location reference gives the figure number and item number for each component so that you can find the component on the following location diagrams and in the car.

Component Location on the Wiring Diagrams

The wiring diagram reference gives the wiring diagram number and the location coordinates so that you can locate the component and its wiring on the wiring diagrams.

Wiring Diagrams

Each diagram covers a complete loom or section of a major loom.

Continuations of a loom on another sheet and connections to other looms are indicated by the continuation arrow \Rightarrow and the Sheet Number and Co-Ordinates where the continuation or connection is located.

Each connector is illustrated with an end view of the mating face of the connector. A table beside each connector gives the pin number, wire colour and destination of each wire.

Wire Colours

The following key is used to denote wire colours in the connector wiring tables

B = Black	P = Purple	G = Green
K = Pink	S = Slate	LG = Light Green
N = Brown	W = White	O = Orange
R = Red	U = Blue	Y = Yellow

Wire Splices

Many wire runs are spliced within the loom wrapping and additional information is required to aid in fault analysis. All splices are noted on the wiring diagrams (e.g. SPL1 = Splice 1). On the facing page for each wiring diagram, a splice list gives the splice number and the wire colours and destinations for each wire coming from the splice.

Component Name	Location Reference	Wiring Diag. Reference	Rep. Op. Reference	Notes
ABS ECU	15-1	28-A1	5.1.11.1	
Air Con Compressor Clutch	3-20	5-D2	8.1.07.3	
Air Con Fan Motor - LH	8-2	8-A5	8.2.09.1	
Air Con Fan Motor - RH	8-6	13-C4	8.2.08.1	
Air Conditioning Trinary Switch	10-6	5-D3	8.1.11.1	
Air Conditioning Unit	8-3	11-B2	8.2.01.1	
Air Pump	8-4	1-C2	2.3.01.2	
Air Temperature Sensor	3-13	5-C3	2.2.06.1	
Alarm Override Switch	1-8	1-C5	6.1.06.1	
Alarm Siren	11-7	1-B3	6.2.03.1	
Alternator	3-2	5-D3	6.3.01.1	
Ambient Temperature Sensor	1-12	1-A2	8.2.07.1	
Barometric Pressure Sensor	11-1	4-A4	3.3.08.2	
Boot Lamp	5-2	24-A5	6.9.04.1	
Boot Lamp	5-2	24-C4	6.9.04.1	
Boot Lock Actuator	13-8	27-A5	6.9.06.1	
Boot Release Switch	2-10	23-C3	6.5.09.1	
Brake Accumulator Pump	7-4/8	28-B4	5.1.08.1	
Bulb Fail Unit - Front Side Lights	4-6	9-C2	6.4.01.1	
Camshaft Sensor	3-10	6-C3	2.5.06.1	
Central Locking Unit	9-4	8-D1	6.7.03.1	
Cigar Lighter	8-1	19-D3	6.5.10.1	
Column Switchgear	13-3	12-C5	6.5.02.1	
Crankshaft Position Sensor	3-3	5-D2	2.5.06.3	
Cruise Control Brake Switch	11-8	12-B5	6.4.02.1	
Cruise Control Clutch Switch (LHD)	12-9	2-D4	6.1.08.1	Manual only
Cruise Control ECU	6-3	20-A2	6.6.09.1	
Cruise Control On/Off Switch	12-7	20-C3	6.5.07.1	
Cruise Control Pump	1-2	2-A3	6.1.09.2	
Cruise Control Set Switch	12-8	20-D3	6.5.07.2	
Cruise Control Inhibit Switch	10-8	21-D3	3.3.08.6	
Diagnostic Socket - Transmission	10-7	12-A4	6.4.03.1	
Dimmer Module	4-16	13-A4	6.4.04.1	
Door Lock Actuator	12-12	17/18-B1	6.7.10.1	
Door Mirror - LHD	2-4	17-A3	6.7.08.1	
Door Mirror - RHD	2-8	17-A5	6.8.01.1	
Door Mirror Switch LH	2-3	17-D5	6.7.08.2	
Door Mirror Switch RH	2-9	18-D5	6.8.01.2	
Door Speaker - LH	6-4	17-C5	6.7.09.1	
Door Speaker - RH	6-9	18-C5	6.8.02.1	
EDIS Coil Pack	3-1	5-D5	6.2.05.1	
EDIS Amplifier Module	1-10	6-B2	6.2.05.3	
Engine Diagnostic Socket	10-5	6-D4	6.4.05.1	
Engine ECU	7-3	6-C5	6.4.06.1	
Exhaust Temperature/Speed Warning	4-3	11-C5	6.4.07.1	Multi-function unit
Fan Fuses	1-21	3-A3	6.2.06.1	
Fan Motor 1	7-6	3-A2	1.7.17.1	
Fan Motor 2	7-7	3-B2	1.7.17.2	
Fan Run-on Switch	7-5	5-A2	1.7.16.4	
Flasher Module	4-13	13-C2	6.4.08.1	
Fog Lamp - RH Front	14-10	1-A1	6.1.04.1	
Fog Lamp - LH Front	14-9	1-C1	6.1.04.2	

Electrics

Electrical Component Location Index - Up to 97 MY



Component Name	Location Reference	Wiring Diag. Reference	Rep. Op. Reference	Notes
Fuel Filler Flap Solenoid	2-1	24-A3	6.9.07.1	
Fuel Pump 1	15-13	25-A1	2.6.02.1	
Fuel Pump 2	15-14	25-A2	2.6.02.1	
Fuel Tank Sender Unit	15-12	24-C5	2.6.06.1	
Gear Selector Illumination	9-3	19-D4	6.5.11.1	Auto only
Gear Shift Interlock Solenoid	13-6	21-C4	3.3.01.1	Auto only
Gearbox Connector (Auto)	7-11	7-B4		Auto only
Gearbox ECU	11-2	4-B3	6.6.10.1	Auto only
Gearshift Interlock Module	13-7	21-A2	6.5.12.1	Auto only
Handbrake Switch	8-8	24-A1		
Headlamp Control Module	1-3	2-A2	6.1.10.1	
Head/Side Lamp - LH Front	14-7	1-D2	6.1.01.1	
Head/Side Lamp - RH Front	14-12	1-A2	6.1.01.2	
Heated Front Screen Controller	11-4	9-A2	6.4.09.1	
Heated Front Screen Fuse - 40A	11-5	9-B2	6.4.09.2	
Heated Front Screen	7-10	8-B5	6.4.09.3	
Heated Front Screen	7-1	14-B2	6.4.09.3	
Heated Rear Screen	9-8	24-A2	6.6.11.1	
Heated Washer Jet	1-11	5-A3	6.4.10.1	
Heated Washer Jet	1-11	5-B3	6.4.10.1	
High Level Stop Lamp	9-1	24-B2	6.6.12.1	
Horn - LH	11-6	3-C1	6.1.11.1	
Horn - RH	11-6	3-B1	6.1.11.1	
Idle Speed Control Valve	3-17	5-C5	2.2.05.1	
Ignition Switch	8-7	12-D2	6.5.13.1	
Indicator/Side Lamp - LH Front	14-8	1-C1	6.1.03.1	
Indicator/Side Lamp - RH Front	14-11	1-A1	6.1.03.1	
Inertia Switch	7-2	8-D2	6.5.14.1	
Injector 1	3-6	5-A2	6.3.04.1	
Injector 2	3-7	5-C2	6.3.04.1	
Injector 3	3-8	5-A3	6.3.04.1	
Injector 4	3-9	5-C2	6.3.04.1	
Injector 5	3-11	5-A4	6.3.04.1	
Injector 6	3-12	5-C4	6.3.04.1	
Input Speed Sensor (Auto)	11-11	7-B2	3.4.02.1	Auto only
Instrument Panel Illumination Control	2-7	13-D5	6.5.04.2	
Instrument Panel	2-6	11-C5	6.5.04.1	
Interior Light - Rear LH	5-4	24-A2	6.6.02.1	
Interior Light - Rear RH	5-4	24-D2	6.6.02.1	
Key Solenoid	11-10	12-B2	6.5.14.1	
Key-In Warning Switch	11-9	12-B2		
Kickdown Switch	8-5	14-A5	5.4.01.1	Auto only
Lambda Sensor A	3-18	6-B5	6.3.05.1	
Lambda Sensor B	3-19	6-B5	6.3.05.1	
Logic Earth	9-2	10-D4	6.5.15.1	
Low Coolant Probe	13-5	8-C3	1.7.14.1	
Low Level Sensor	4-1	3-C1		
Lumbar Pump	9-5	22-D2		
Map Reading Light	5-1	13-C4	6.6.01.1	
Microswitch - Glass Drop LH	12-2	17-A2	6.1.13.1	
Microswitch - Glass Drop RH	12-2	18-A2	6.1.13.1	

Component Name	Location Reference	Wiring Diag. Reference	Rep. Op. Reference	Notes
Microwave Sensor	12-1	24-C2	6.6.14.2	
Mode Switch	7-9	4-A3	6.5.07.4	
Multifunction Module	4-2	8-C4	6.4.12.1	
Number Plate Lamp - LH	5-3	27-B4	6.9.03.1	
Number Plate Lamp - RH	5-3	27-B6	6.9.03.1	
Oil Pressure Warning Light Transducer	3-17	5-C5	1.5.08.1	
Output Speed Sensor (Auto)	11-12	7-B3	3.4.02.2	Auto only
Park Switch (Auto)	10-1	21-B1	6.5.13.1	Auto only
Purge Valve 1	10-3	5-A4	6.1.14.1	
Purge Valve 2	10-4	5-A5	6.1.14.2	
Radio Aerial	15-4	24-D2	6.9.08.1	
Radio Telephone Connector	15-3	25-B2	6.9.09.1	
Radio Tweeter	6-7	8-C3	6.5.17.1	
Radio Tweeter	6-5	14-C4	6.5.17.1	
Radio	6-6	10-A2	6.5.05.1	
Rear & Number Plate Bulb Fail Unit	15-11	25-C3	6.9.10.1	
Rear Fog Lamp LH	14-2	17-D2	6.7.02.1	
Rear Fog Lamp RH	14-5	18-D2		
Rear Lamp - LH	14-1	24-A5		
Rear Lamp - RH	14-6	24-C4		
Recline Motor Potentiometer	9-7	22-B1	6.6.07.1	
Relay - ABS Pump	4-8	9-C4	5.1.15.1	
Relay - Air conditioning clutch	1-17	3-A3	6.2.06.1	
Relay - Air Pump	4-14	13-A5	6.4.13.1	
Relay - Auxiliary Load	4-4	9-D1	6.4.14.1	
Relay - Boot Release	15-9	26-D3	6.9.11.1	
Relay - Courtesy Lights	4-11	13-A2	6.4.15.1	
Relay - Cruise Control On/Off	6-1	20-B1	6.5.18.1	
Relay - Drivers Seat Heater	12-3	16-D3	6.6.15.1	
Relay - Fan 1	1-20	3-B6	1.7.16.3	
Relay - Fan 2	1-19	3-B6	1.7.16.3	
Relay - Fan Run On	1-18	3-A5	1.7.16.4	
Relay - Front Fog Lamps	1-6	1-B5	6.1.04.3	
Relay - Fuel Pump 1	15-7	26-A2	6.9.12.1	
Relay - Fuel Pump 2	15-8	26-A3	6.9.12.1	
Relay - Gearbox Failure Warning	4-9	13-A1	6.4.16.1	Auto only
Relay - Headlamp Dipped Beam	1-5	1-B5	6.1.15.1	
Relay - Headlamps	1-7	1-B4	6.1.16.1	
Relay - Heated Rear Window	4-15	13-A4	6.4.17.1	
Relay - Horns	1-16	3-A4	6.2.07.1	
Relay - Ignition Load	4-10	13-A2	6.4.18.1	
Relay - Main	4-12	13-A3	6.4.19.1	
Relays - Drivers/Passengers Seat Heaters	12-3	15-D3	6.6.15.2	
Relay - Rear Fog Lamps	4-17	13-A5	6.4.20.1	
Relay - Reverse Lamps	15-6	25-A4	6.9.13.1	
Relay - Sidelamps	1-9	1-B4	6.1.17.1	
Relay - Starter Solenoid	1-15	3-A4	6.2.08.1	
Relay - Stop Lamps	15-5	25-A5	6.9.14.1	
Reversing Lamp Switch (Man)	11-3	7-C5	6.2.09.1	
Reversing Light Switch (Auto)	10-2	21-C2	6.2.09.2	
Screen Wash Pump	1-13	3-D1	6.3.06.1	

Electrics

Electrical Component Location Index - Up to 97 MY



Component Name	Location Reference	Wiring Diag. Reference	Rep. Op. Reference	Notes
Seat Belt Switch	13-2	22-A3	6.6.16.1	
Seat ECU - Driver	6-2	16-A1	6.6.17.1	
Seat ECU - Passenger	6-2	15-A1	6.6.17.2	
Seat Heater - Cushion Element	12-5	22-A2	6.6.18.1	
Seat Heater - Squab Element	12-4	15/16-A4	6.6.18.2	
Seat Heater Control Module	6-3	22-A5	6.6.18.3	
Seat Motor Potentiometer	9-7	22-C2	6.6.19.1	
Seat Pressure Pad	12-6	22-D3	6.6.20.1	
Seat Switch Pack - Driver	6-8	16-B1	6.6.21.1	
Seat Switch Pack - Passenger	6-8	15-B1	6.6.21.1	
Security System Aerial	2-12	24-C2	6.6.22.1	
Security System ECU	15-2	26-B6	6.6.22.3	
Side Marker Lamp - LH Front	5-5	1-C2	6.1.18.1	
Side Marker Lamp - RH Front	5-5	1-A3	6.1.18.1	
Speaker - Rear LH	6-10	24-B2	6.6.23.1	
Speaker - Rear RH	6-10	24-C2	6.6.23.1	
Speed Control Dump Valve	1-4	2-A2	6.1.19.1	
Start Inhibit Switch	10-9	21-C3	6.1.20.1	
Starter Motor Solenoid	3-14	3-C2	6.3.02.2	
Stop Lamp Fail	15-10	25-A3	6.9.15.1	
Stop Lamp/Cruise Disable Switch	11-8	12-C5	6.4.02.1	
Thermal Breaker - Window Lift	4-7	9-C3	6.1.21.1	
Throttle Potentiometer	3-15	5-A3	2.5.02.2	
Water Temp Sensor - Engine ECU	3-5	5-C2	6.3.07.1	
Water Temp Sensor - Temp Gauge	3-4	5-C2	8.2.12.1	
Wheel Speed Sensor - Front RH	13-4	29-C3	5.1.12.1	
Wheel Speed Sensor - Front LH	13-4	28-D4	5.1.12.1	
Wheel Speed Sensor - Rear RH	13-1	28-D3	5.2.01.1	
Wheel Speed Sensor - Rear LH	13-1	28-D2	5.2.01.1	
Window ECU - LH	12-11	17-D3	6.1.22.1	
Window ECU - RH	12-11	18-D3	6.1.22.1	
Window Switch - RH	2-5	19-A2	6.5.03.1	
Window Switch LH	2-5	19-D2	6.5.03.1	
Wiper Logic Module	4-5	9-A3		
Wiper Motor	1-1	8-C3	6.2.01.1	
Window Lift Motor	12-10		6.1.21.3	

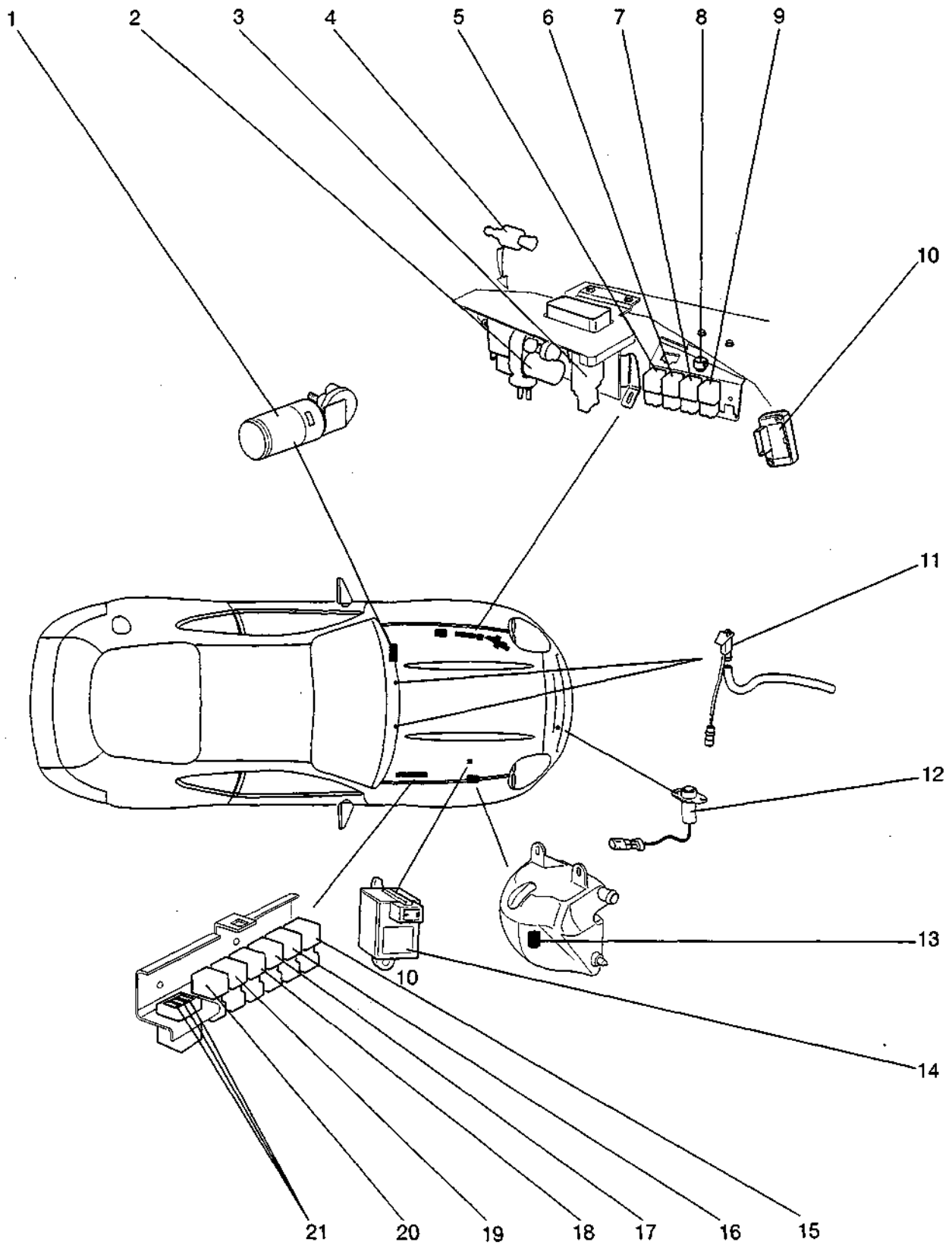


Figure 1

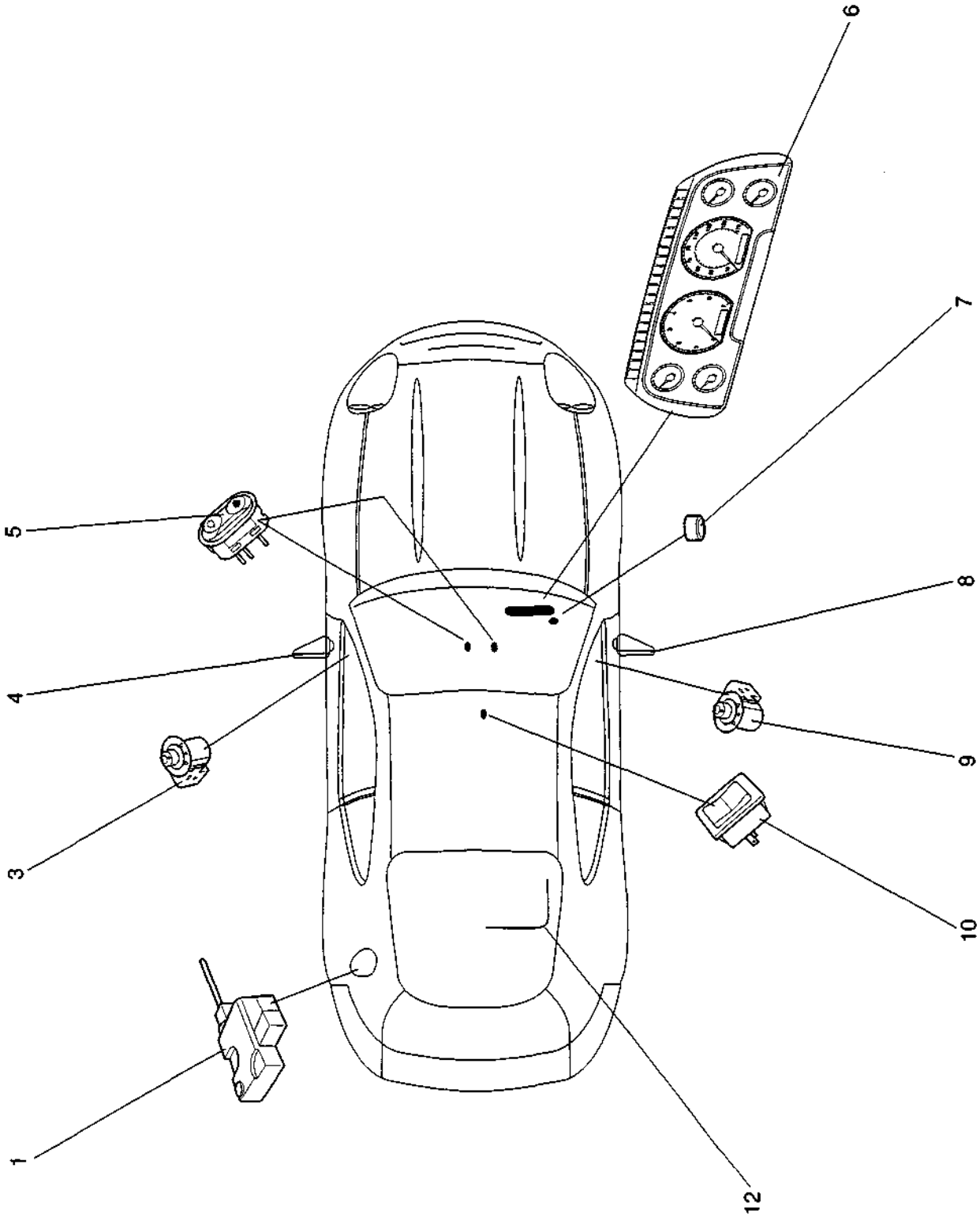


Figure 2

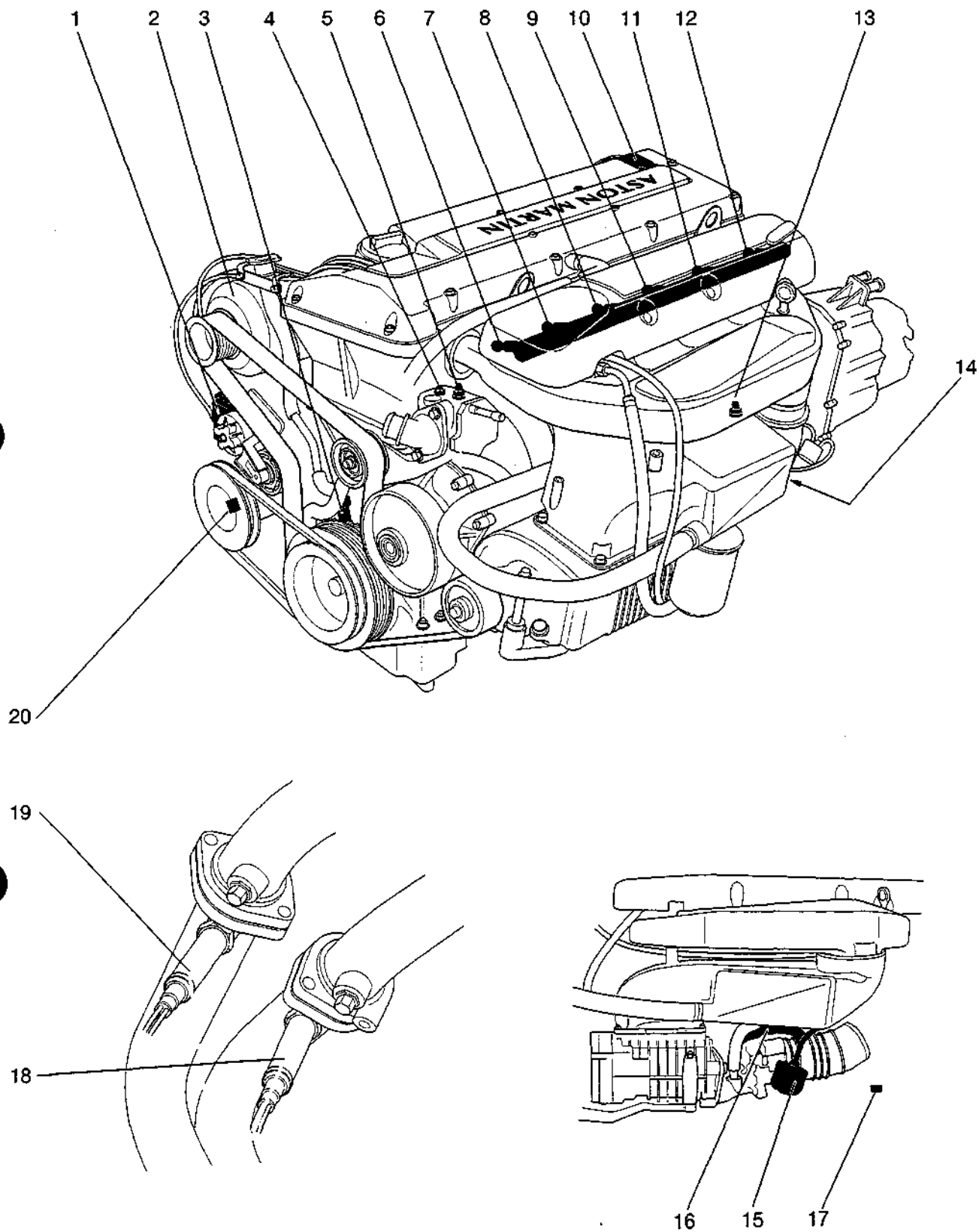


Figure 3

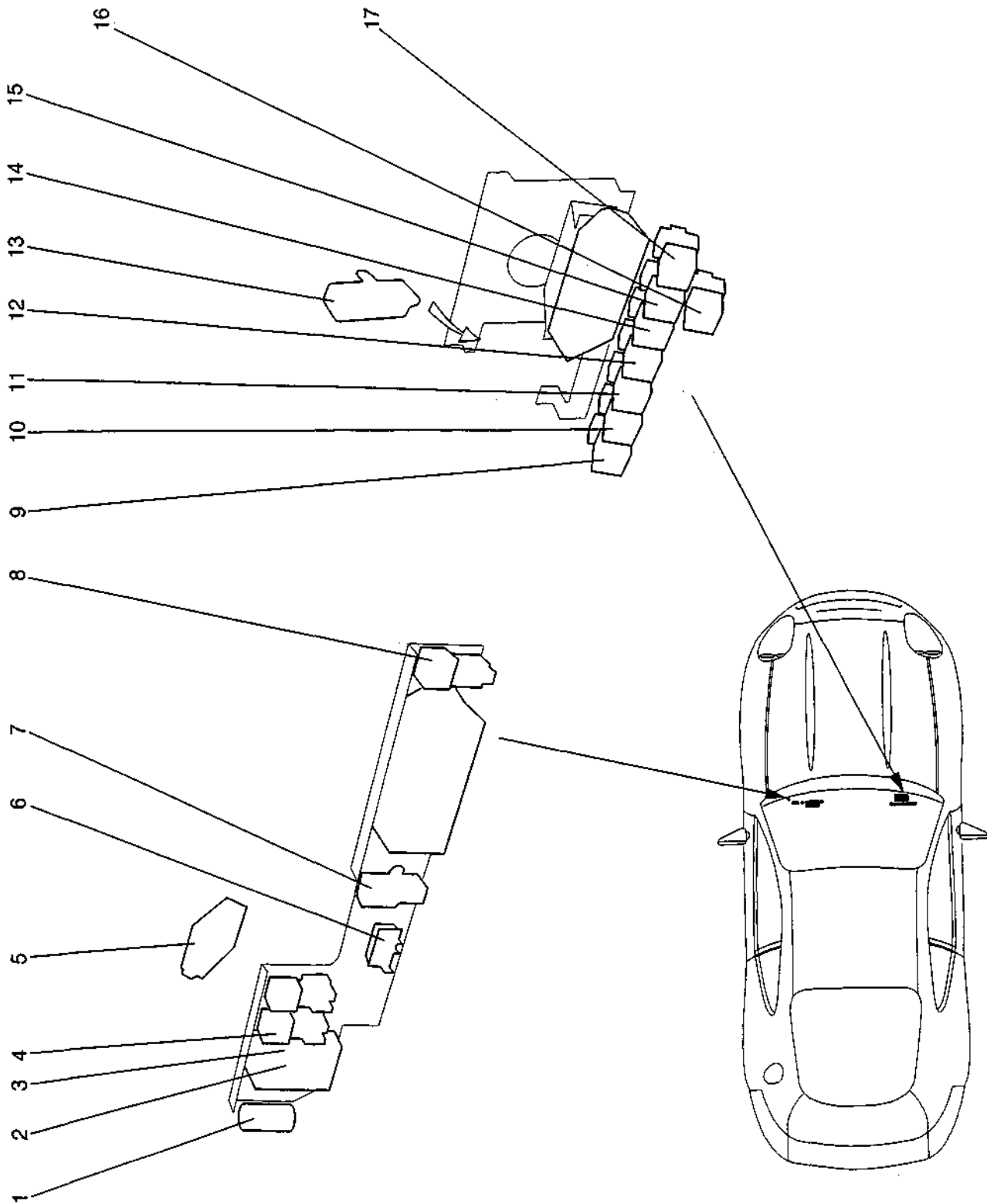


Figure 4

Figure 4

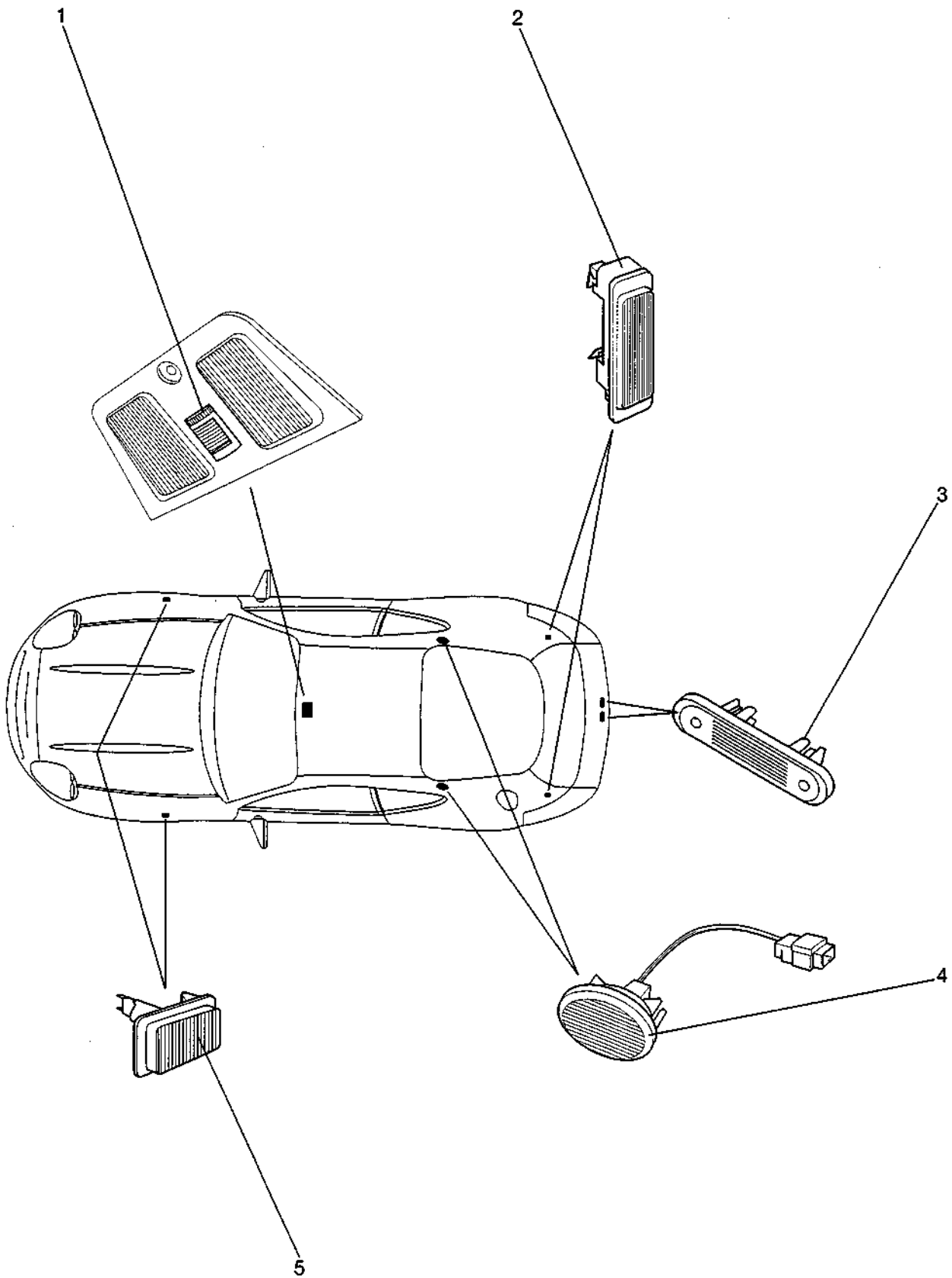


Figure 5

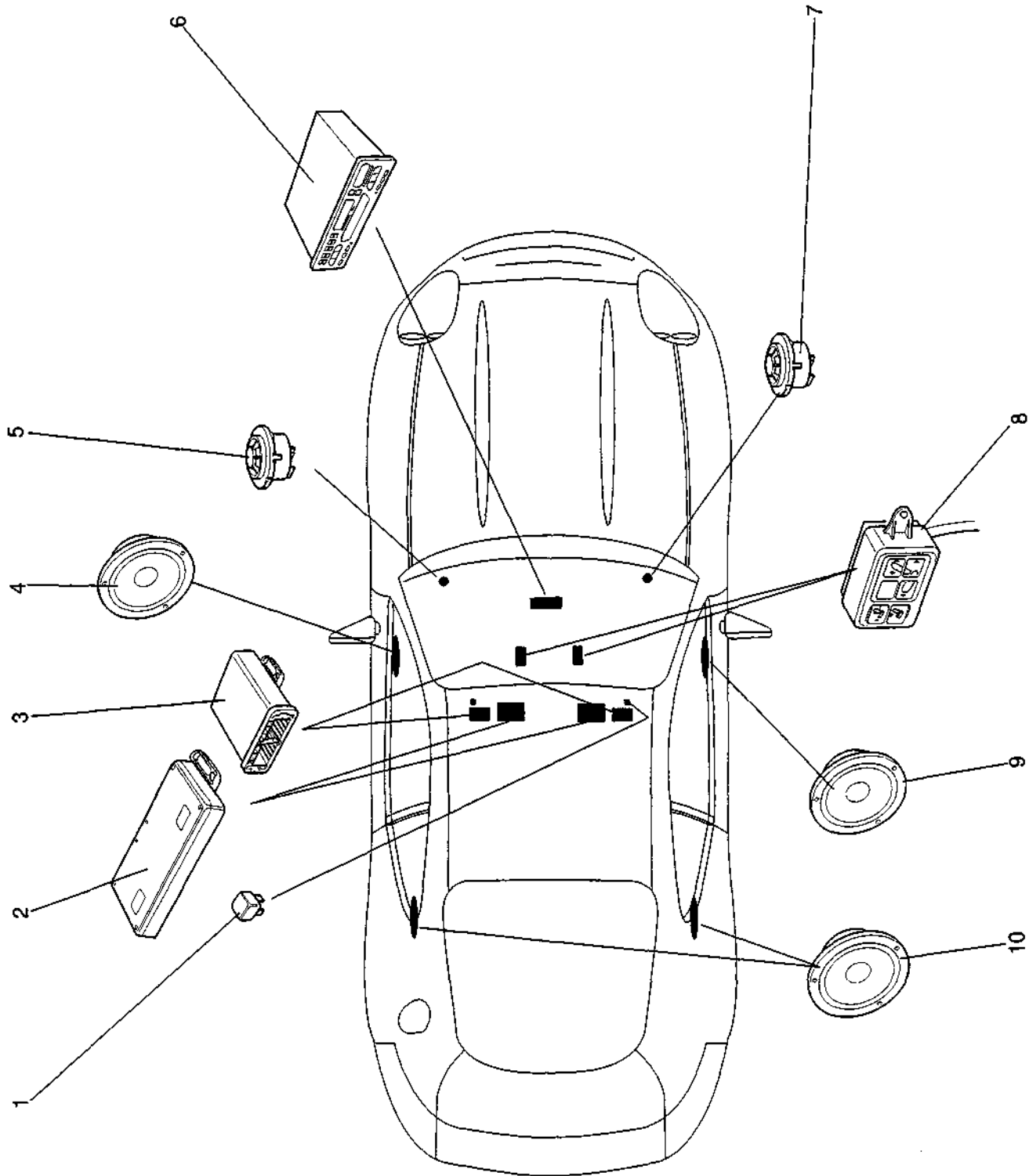


Figure 6

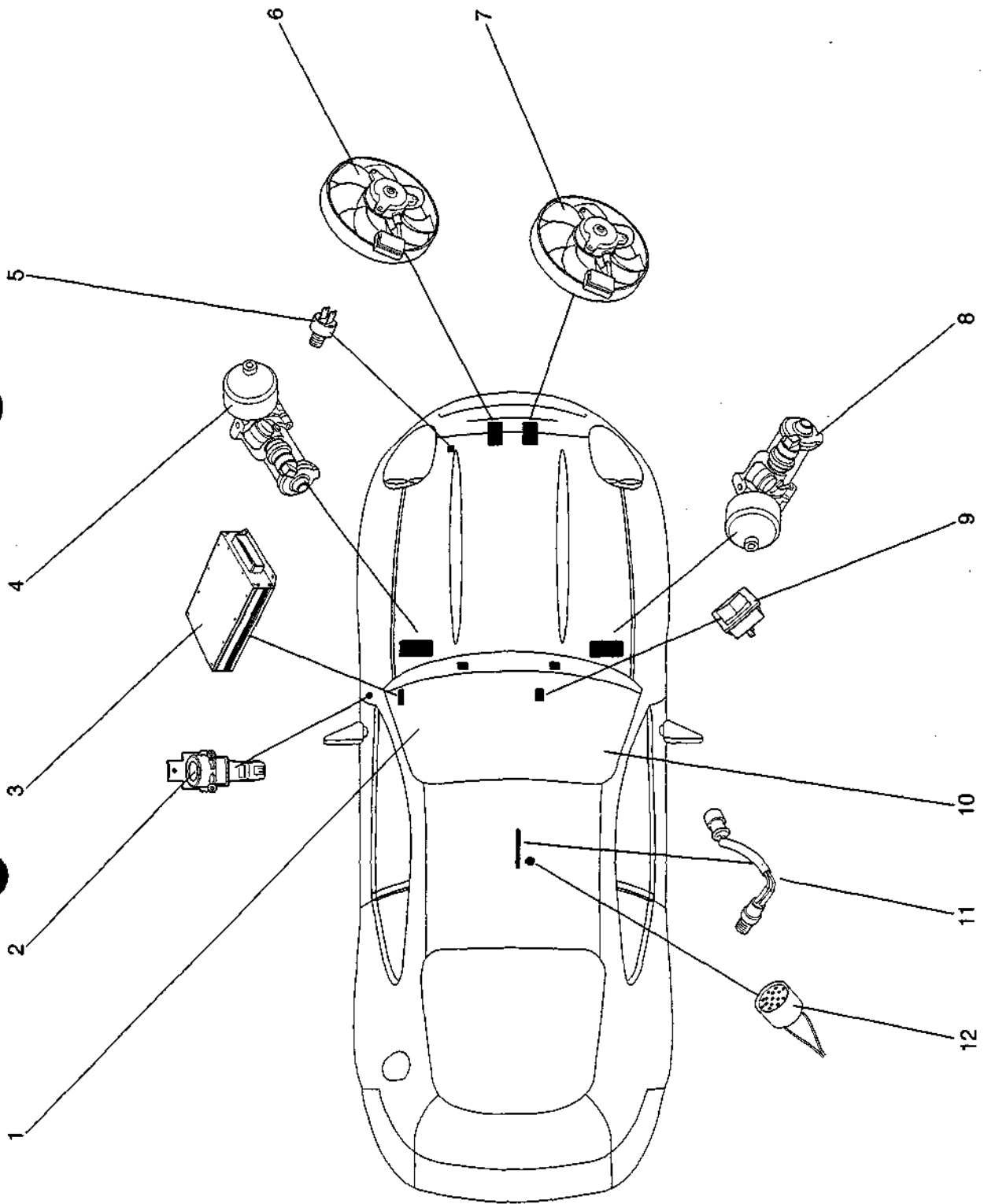


Figure 7

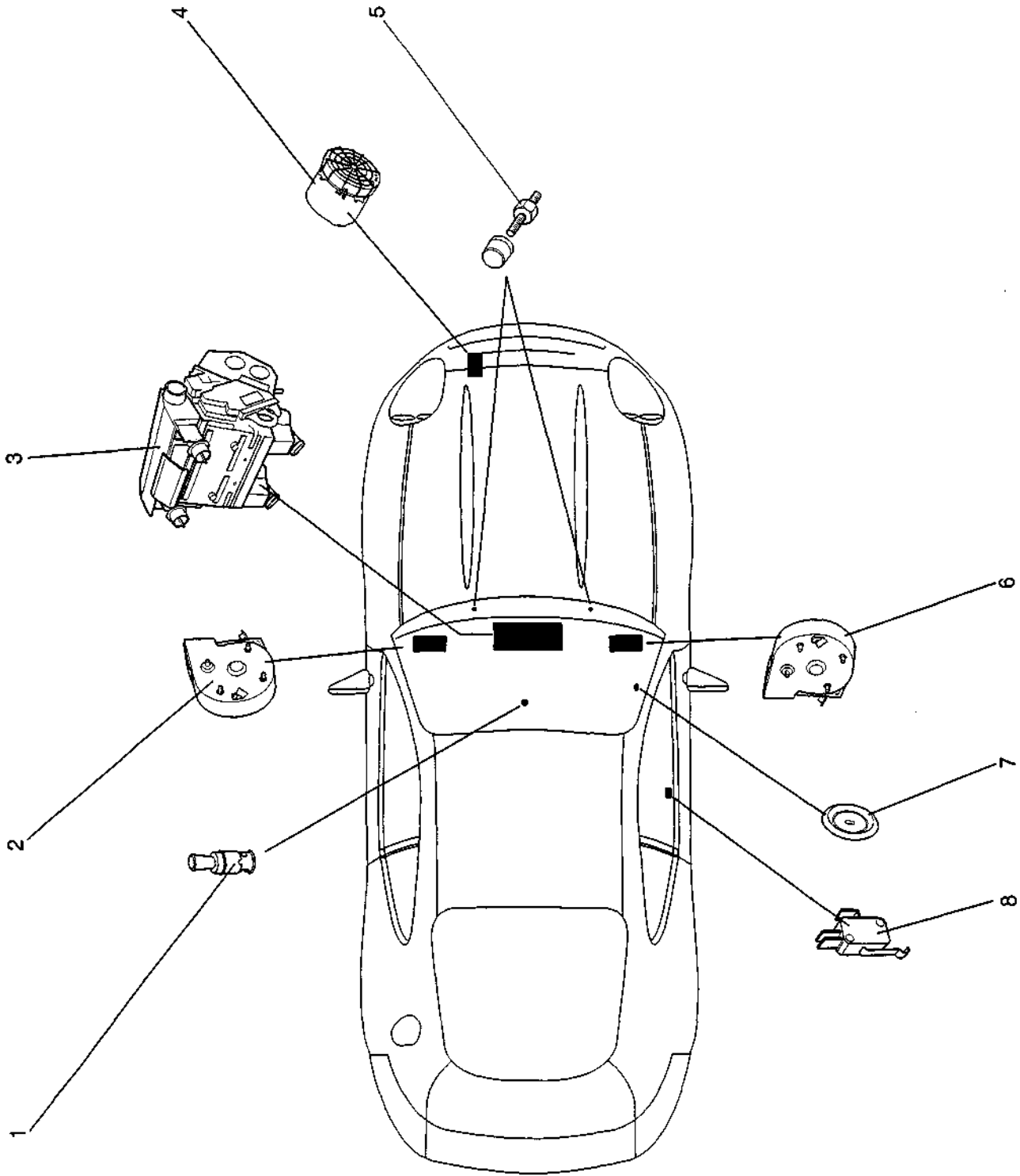


Figure 8

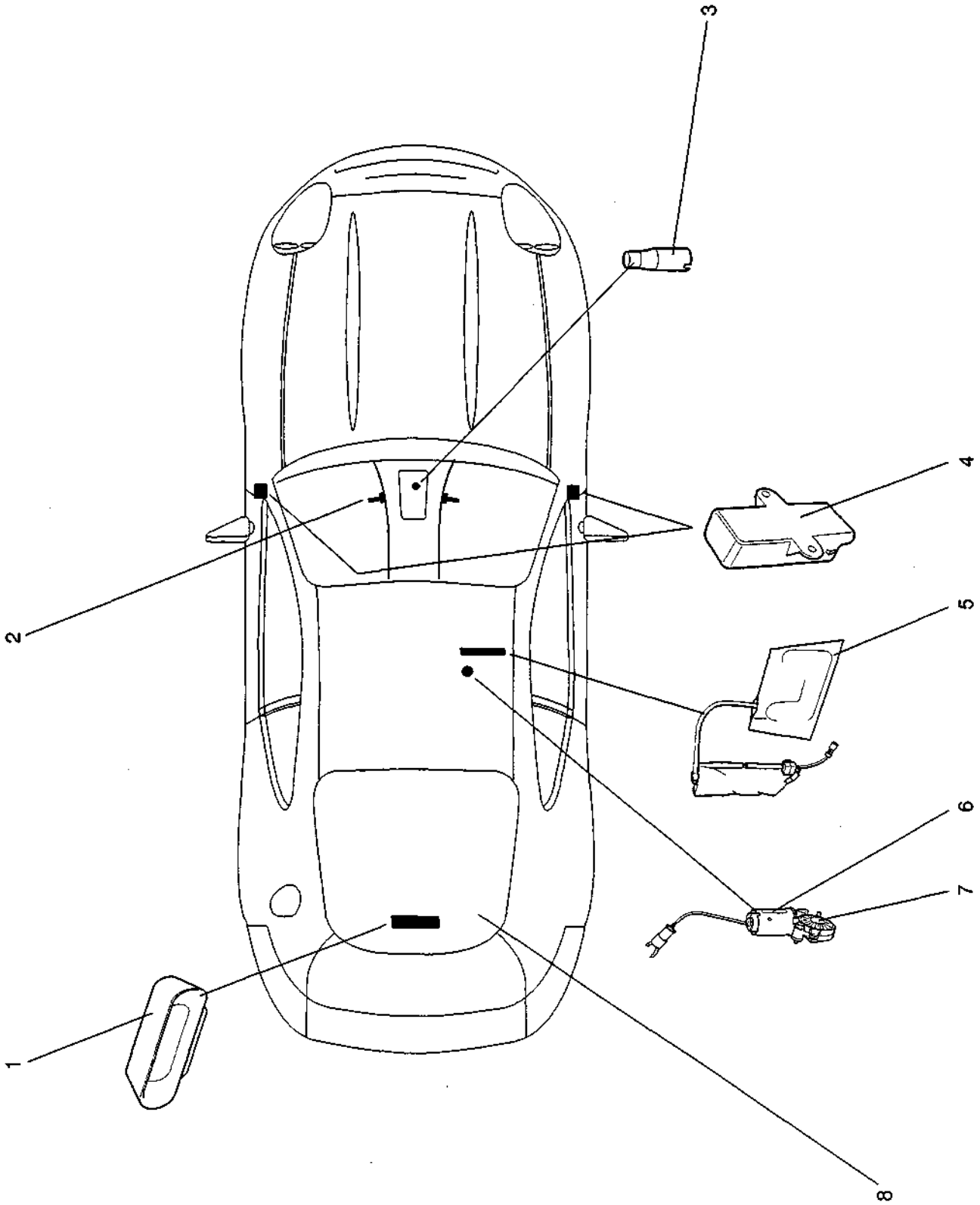


Figure 9

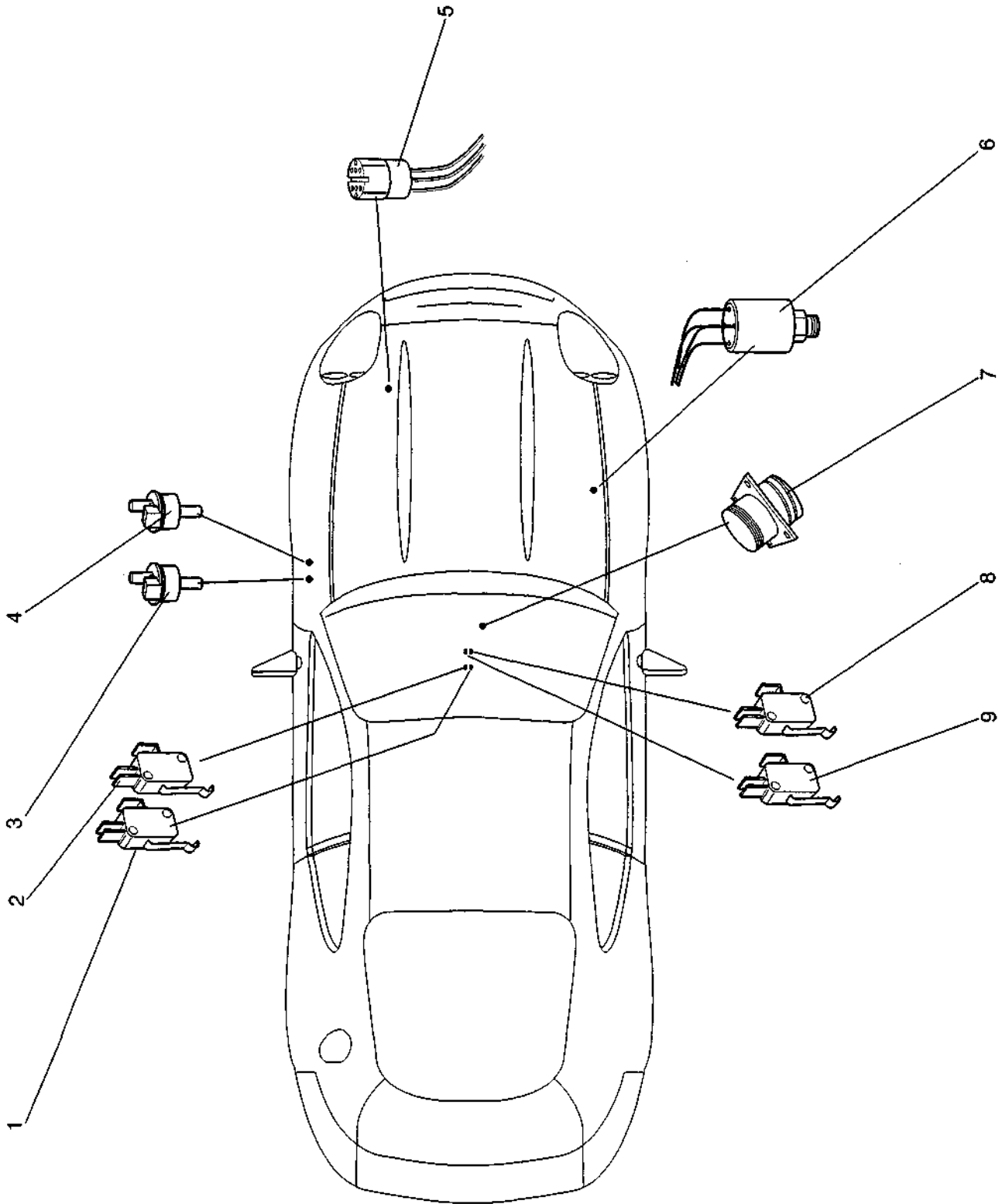


Figure 10

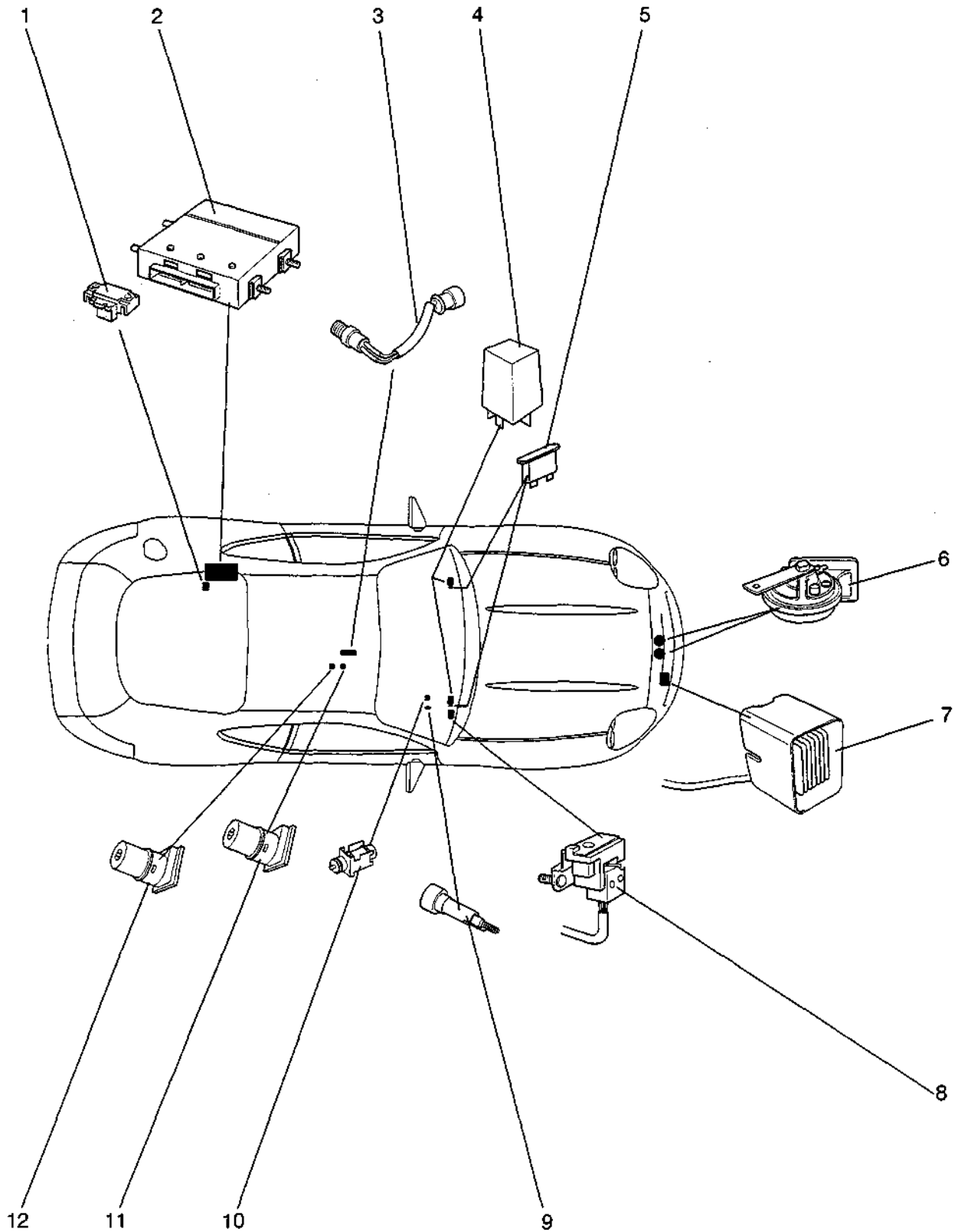


Figure 11

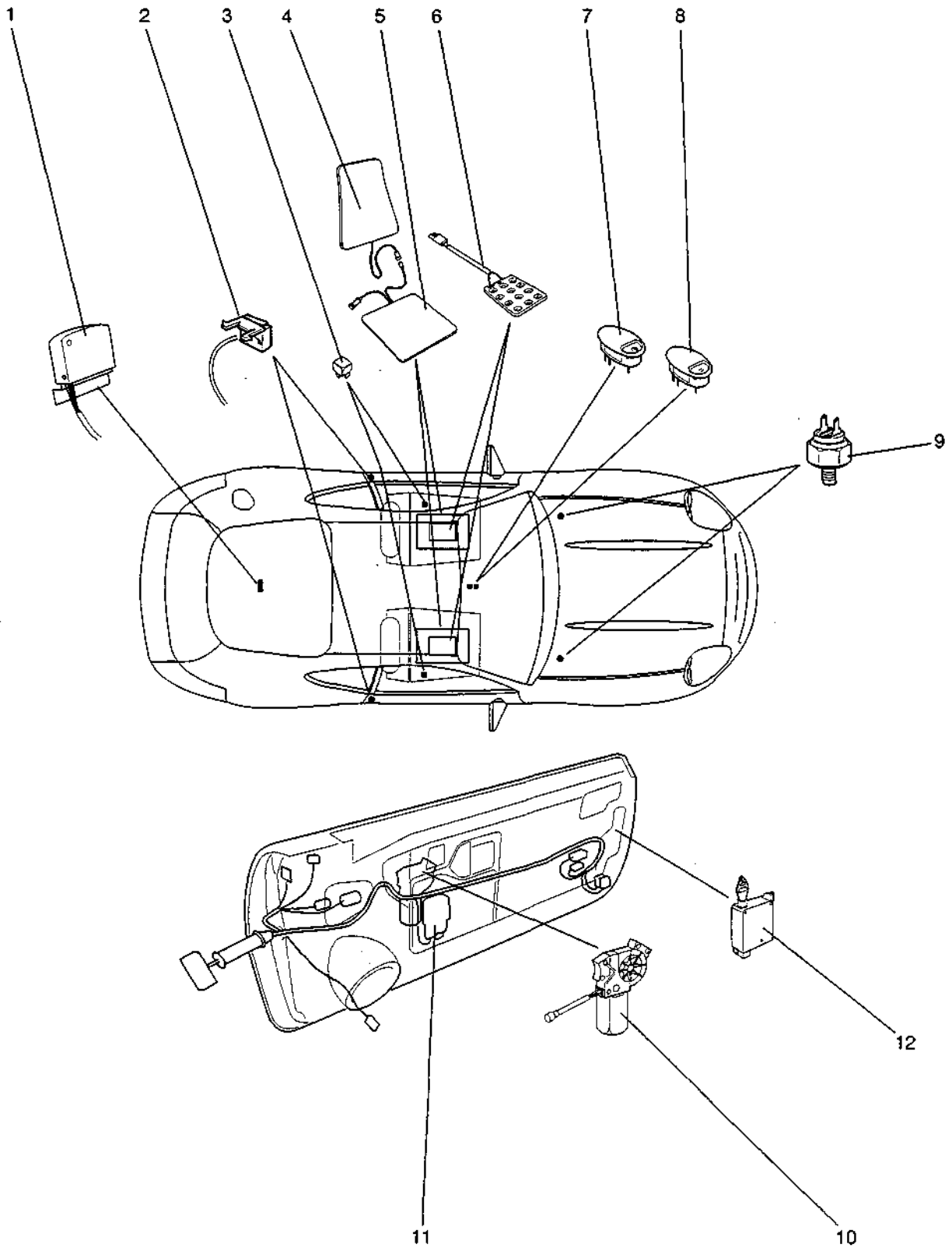


Figure 12

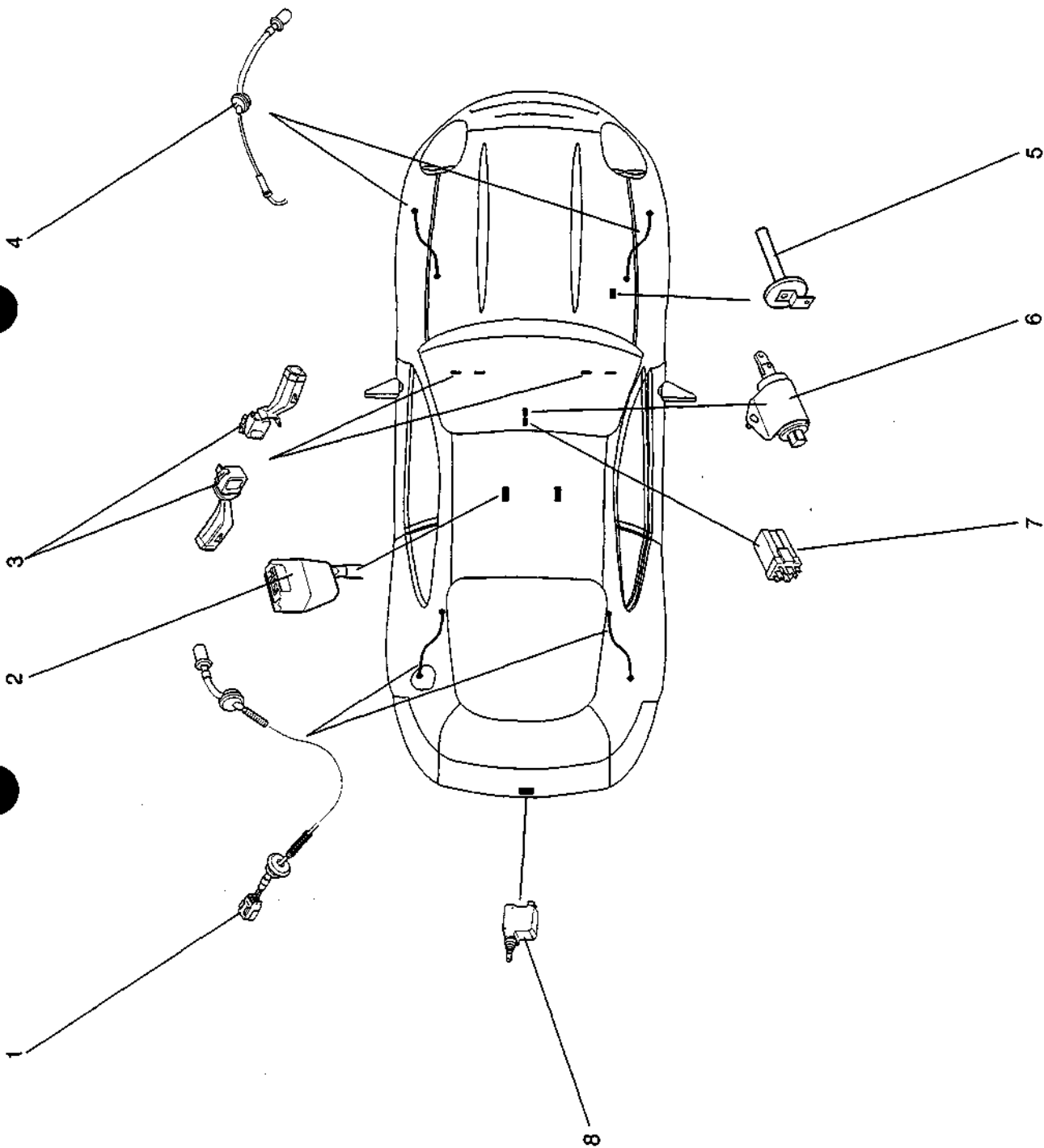


Figure 13

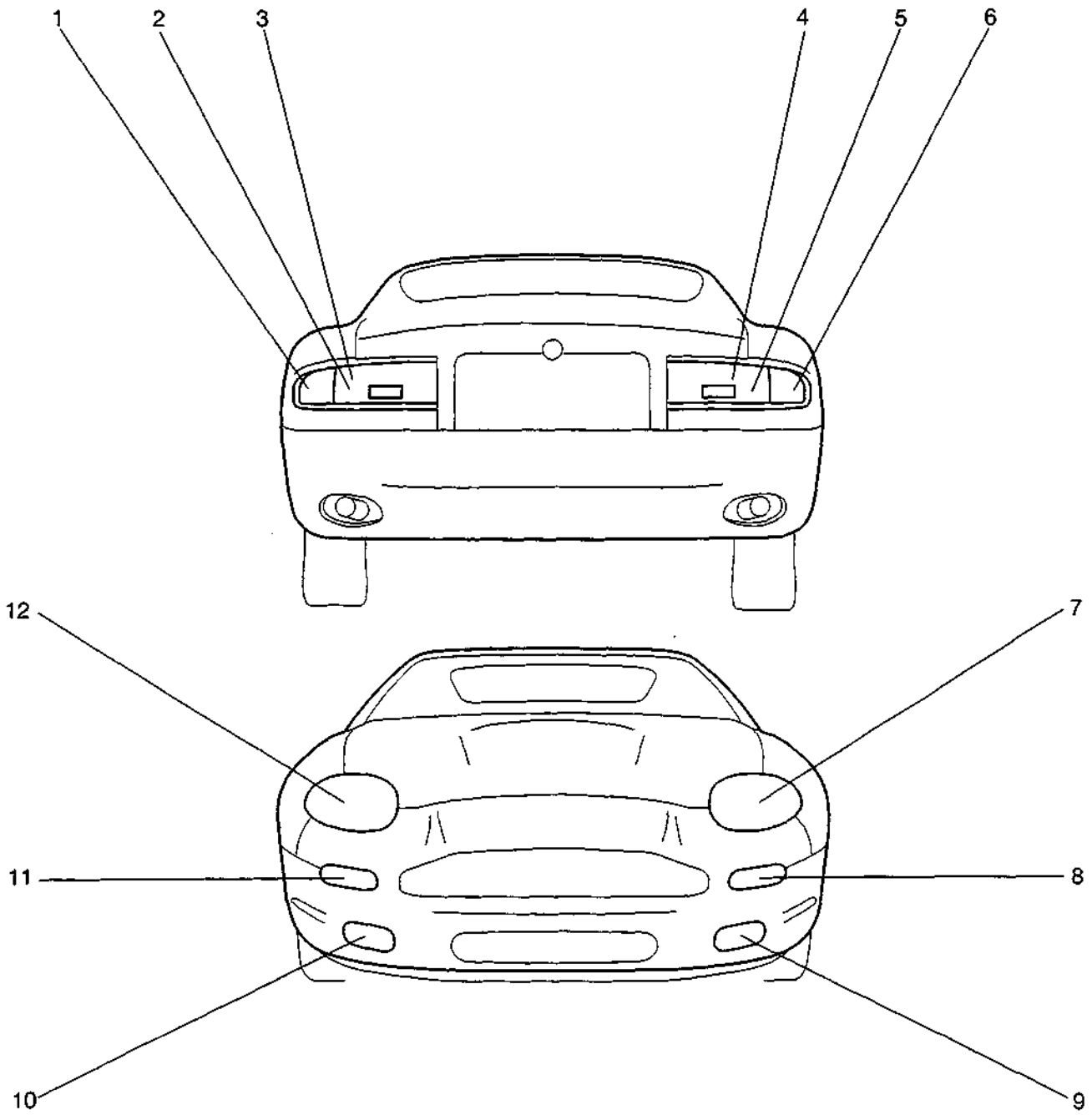


Figure 14

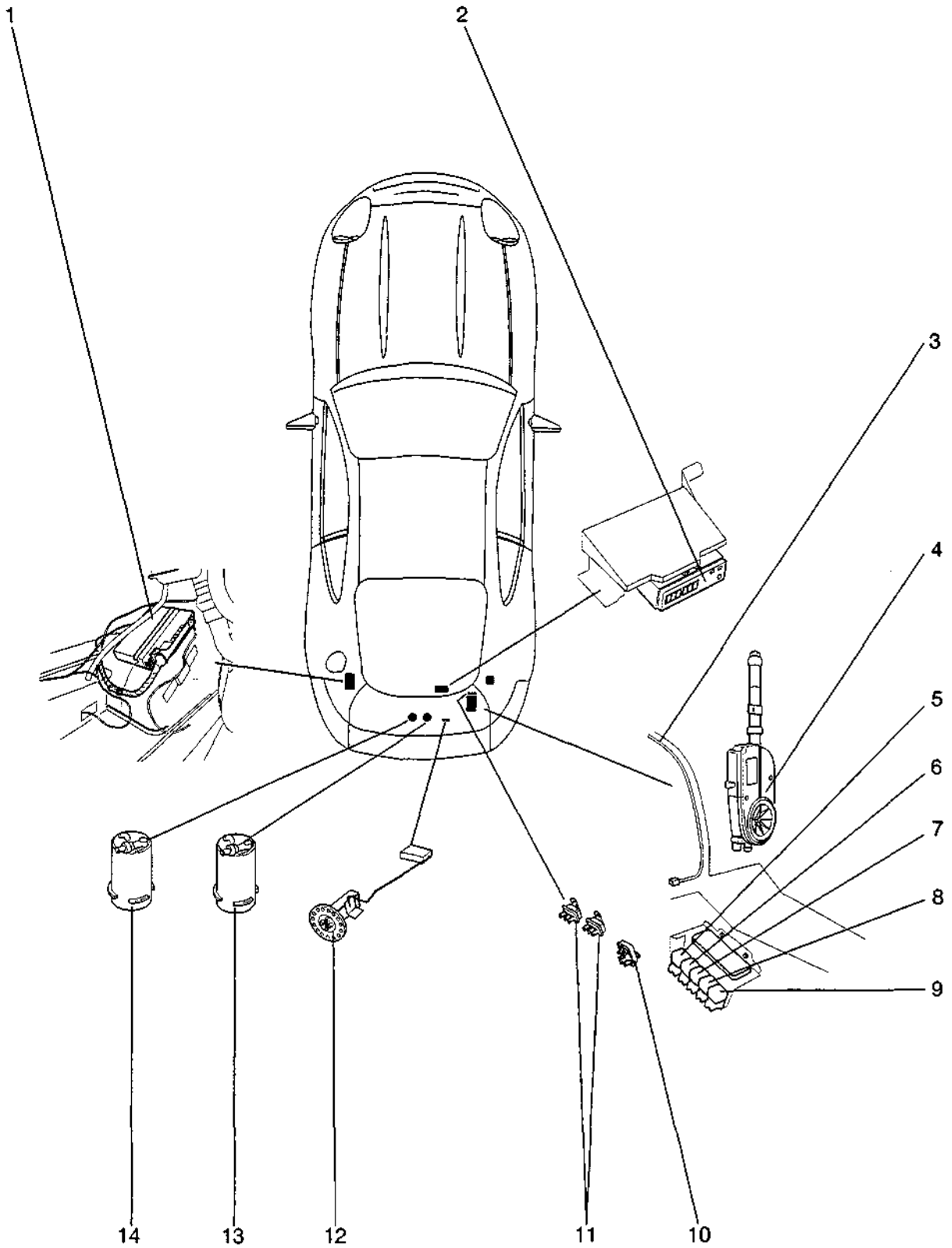


Figure 15

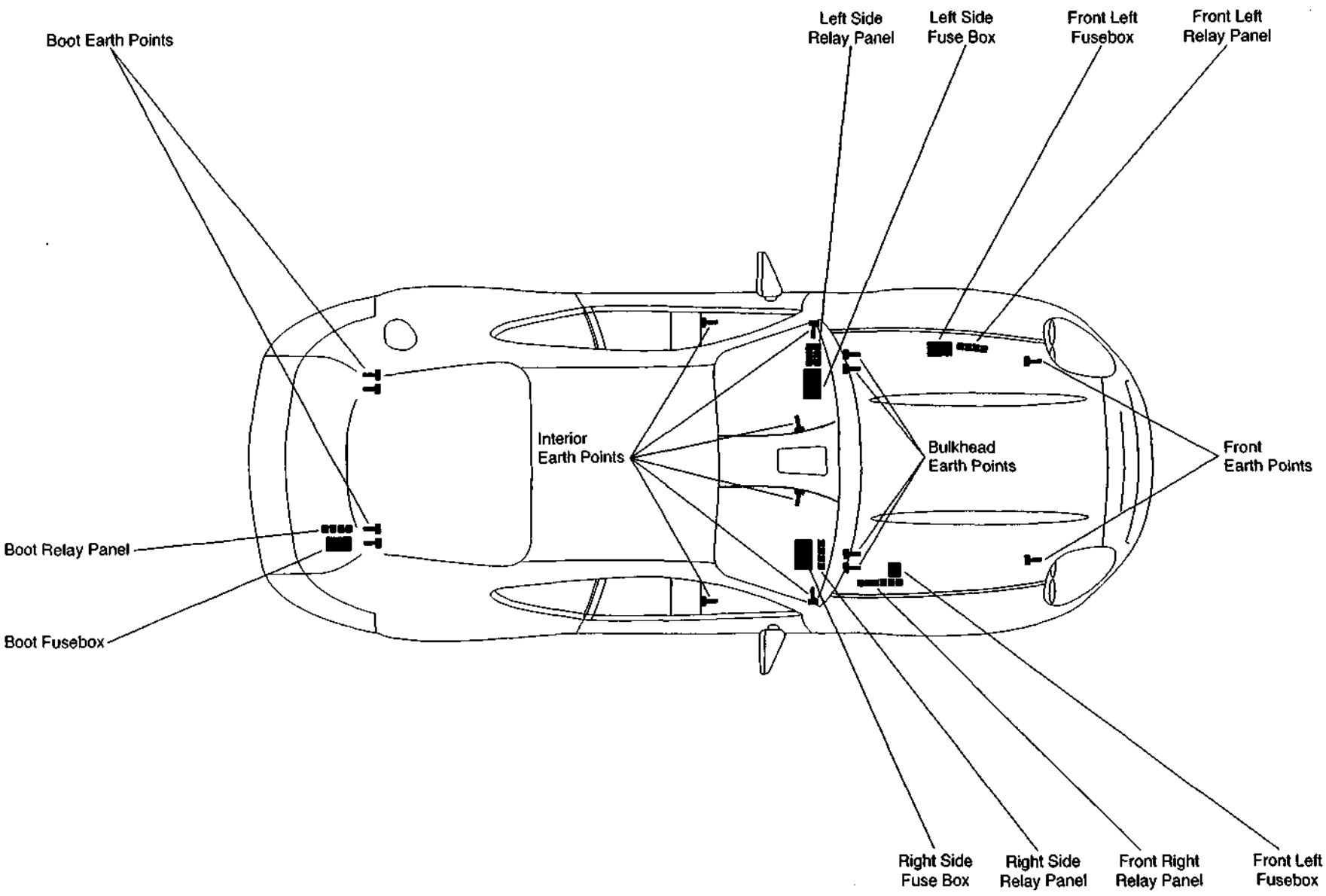


Figure 16

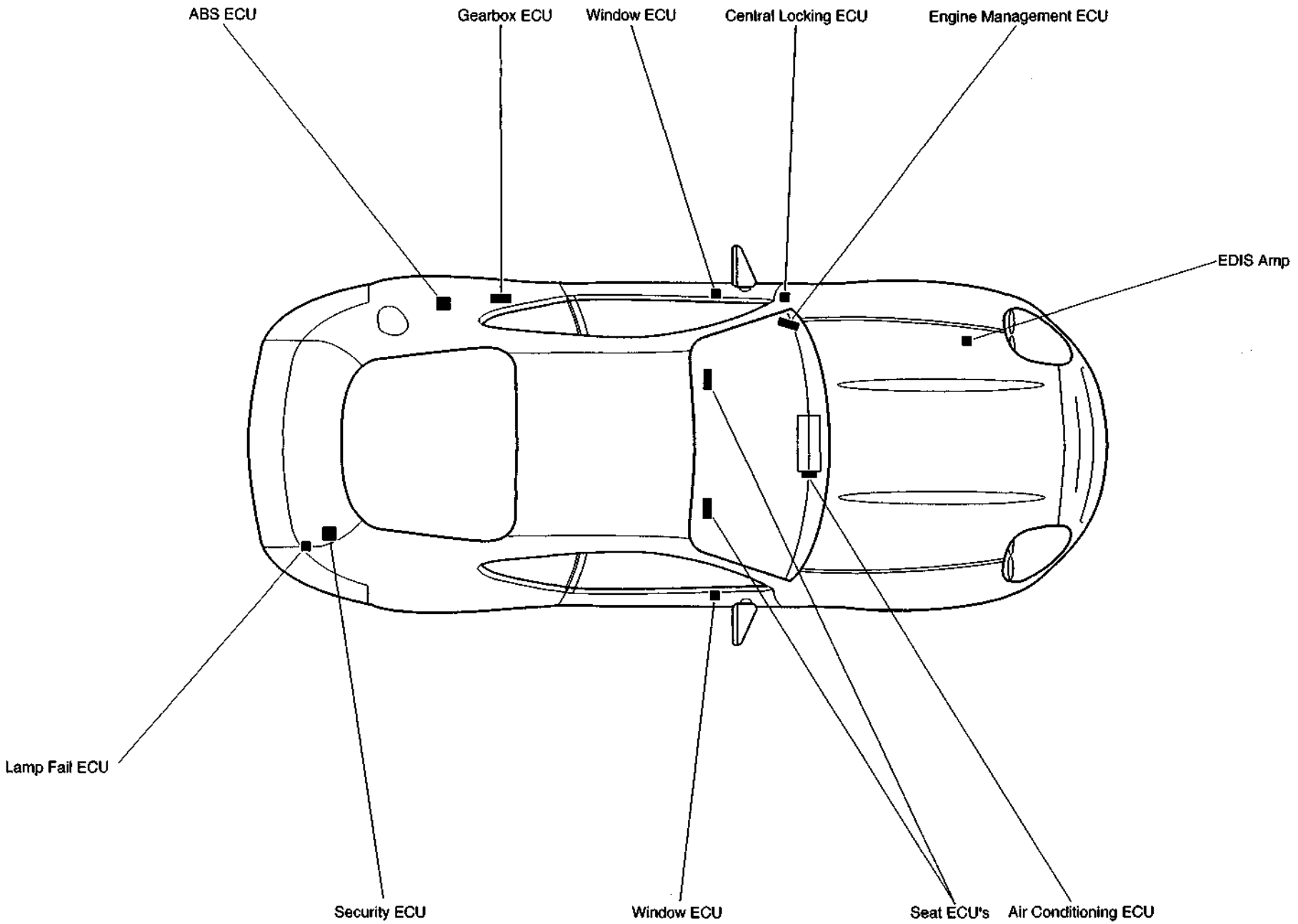


Figure 17

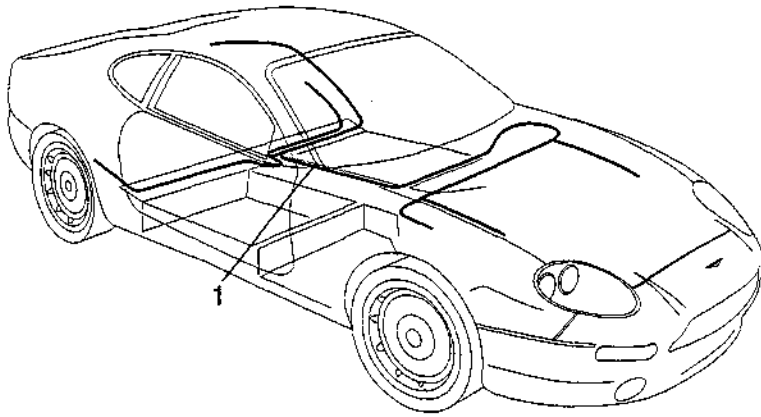


Fig 1.
1. Harness, A.B.S RHD

Fig 2.
1. Harness Bulkhead RHD/LHD
2. Harness Door
3. Harness Door Mirror

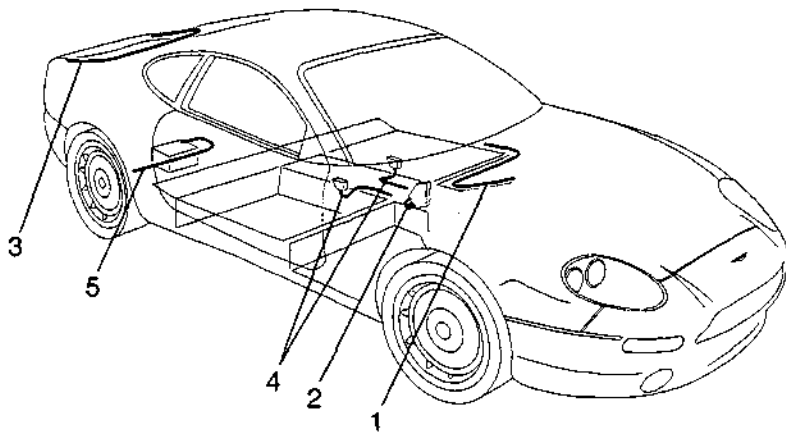
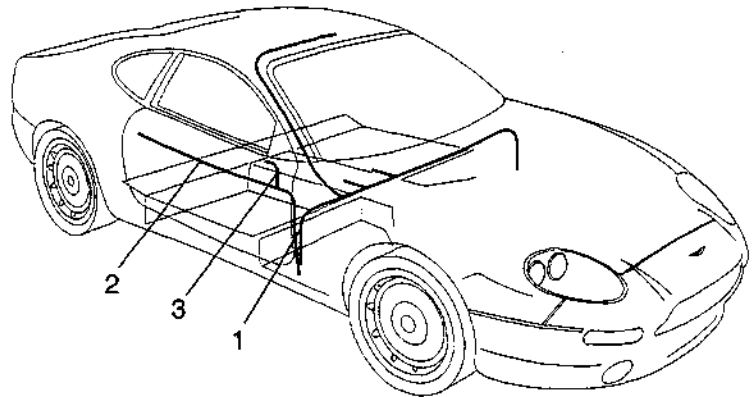
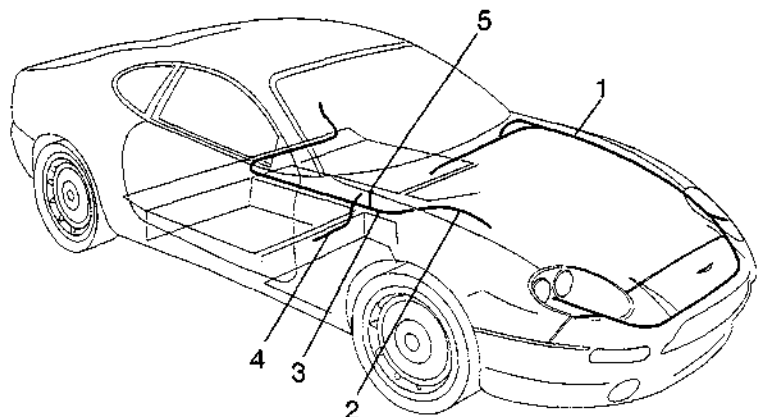


Fig 3.
1. Harness Cruise Control
2. Harness Air Conditioning
3. Harness Boot Lid
4. Harness Seat Belt
5. Earth Strap

Fig 4.
1. Harness Left Forward
2. Harness Auto Transmission
3. Harness Auto Transmission Link
4. Harness Gear Selector Illumination
5. Harness Gearshift interlock



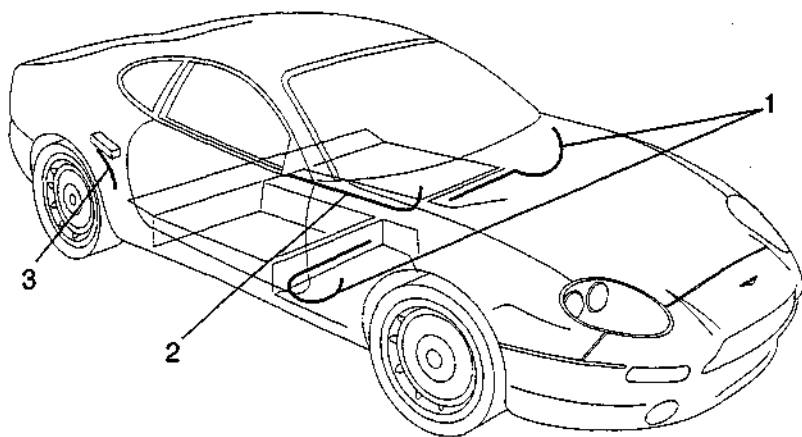


Fig 5.

- 1. Harness Sill
- 2. Harness Console
- 3. Harness Fuse Box

Fig 6.

- 1. Harness Engine
- 2. Earth Engine Body
- 3. Harness Foward Right
- 4. Rearward Harness
- 5. Harness Headlamp Link

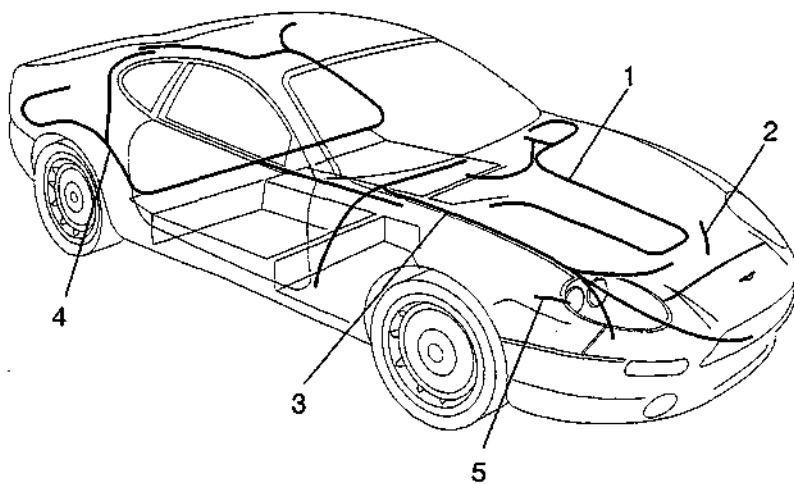
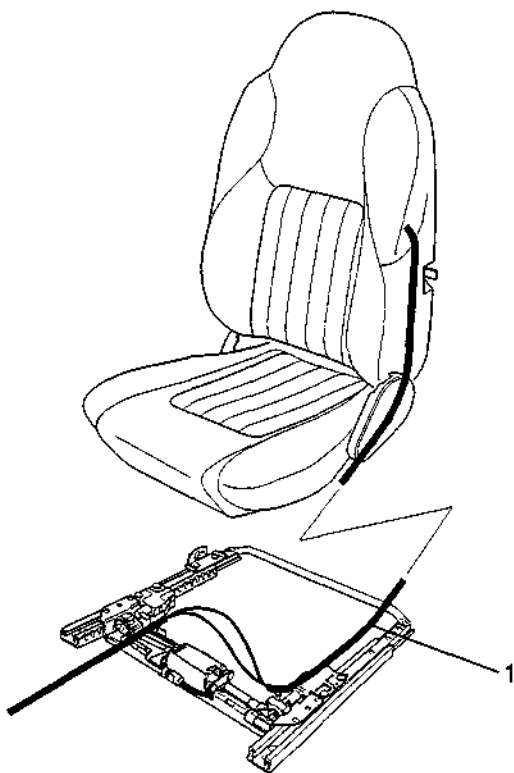
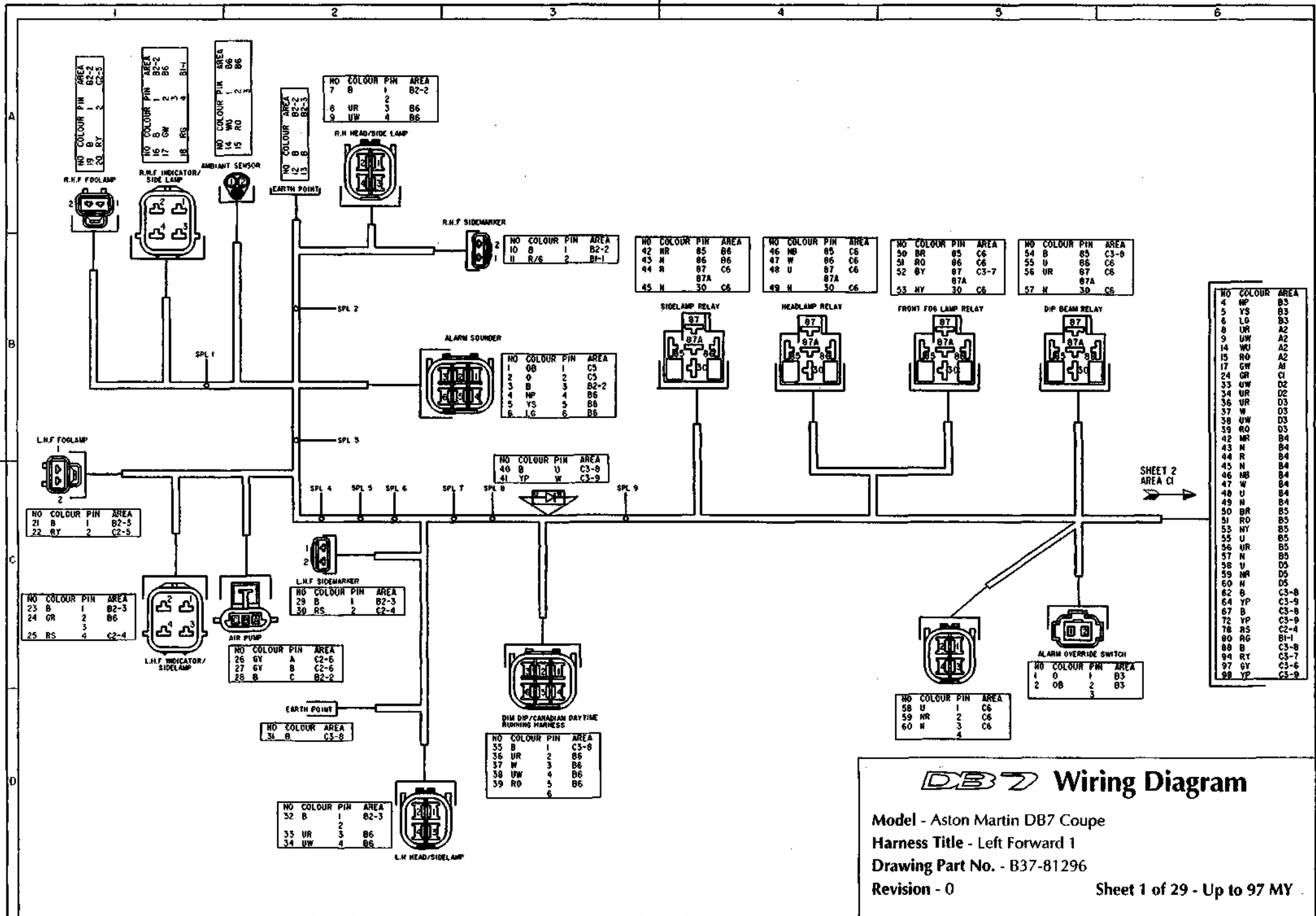


Fig 7.

- 1. Harness Seat



Splice No.	Colour	SPL 7	Red/Yellow
Pin No.	Destination		
		52	B5
		94	C6
		100	C1-5
SPL 1	Red/Green		
11	B3		
18	A1	SPL 8	Black
80	C6	31	D2
		35	D3
SPL 2	Black	40	C3
3	B2	54	B5
7	A2	62	C6
10	B3	67	C6
12	A2	88	C6
16	A1		
19	A1	SPL 9	Yellow/Purple
28	C2	41	C3
		64	C6
SPL 3	Black	72	C6
3	A2	98	C6
21	C1		
23	C1		
29	C2		
32	D2		
SPL 4	Red/Slate		
25	C1		
30	C2		
78	C6		
SPL 5	Red/Yellow		
20	A1		
22	C1		
100	C1-7		
SPL 6	Green/Yellow		
26	C2		
27	C2		
97	C6		

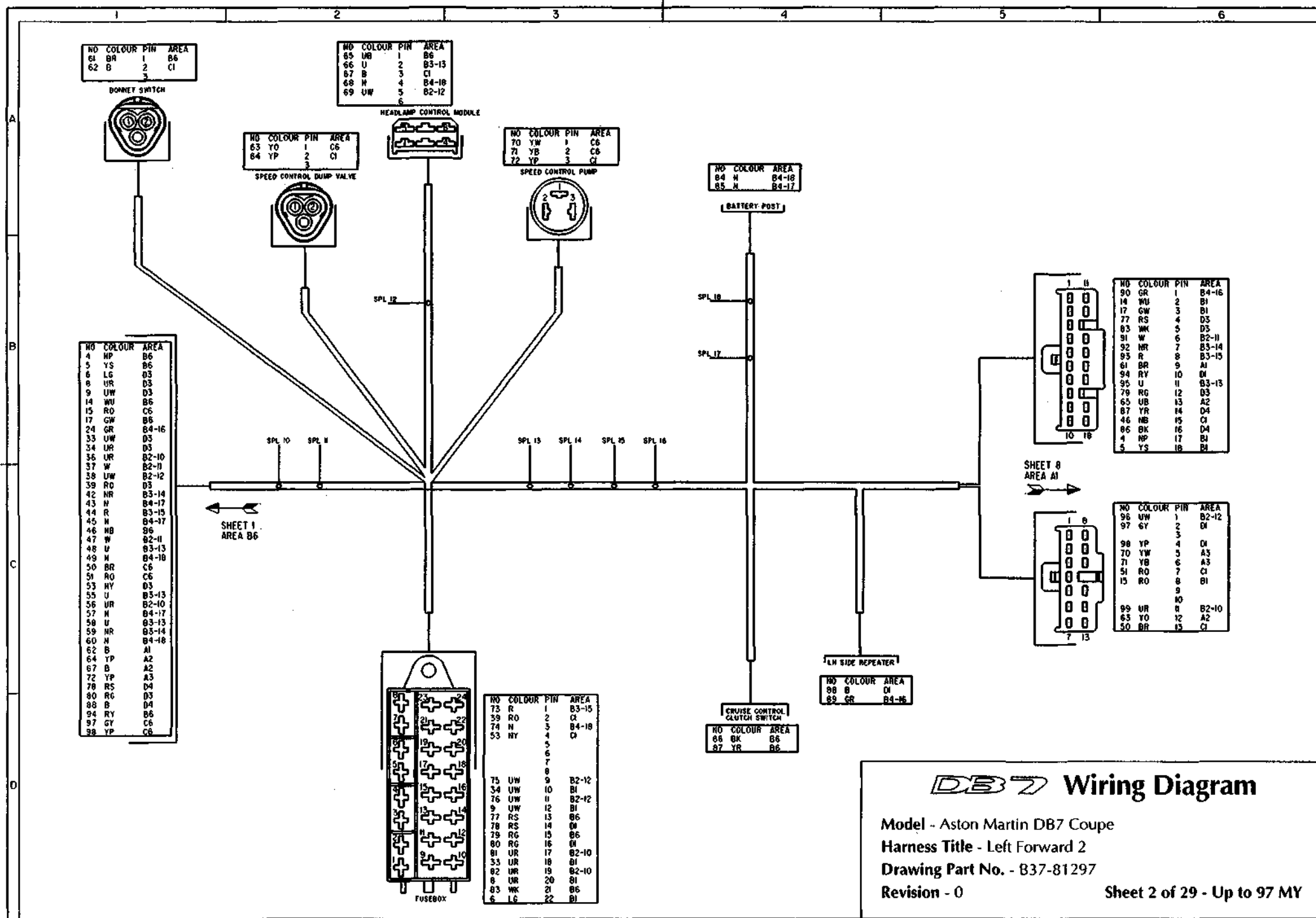


NO	COLOUR	PIN	AREA
4	MP	85	B5
5	YS	83	B3
6	UR	86	B6
8	UR	86	A2
9	UW	87	A2
14	WU	84	A2
15	RO	84	A2
17	GW	81	A1
24	OR	81	C1
33	UW	82	D2
34	UR	82	D2
36	UR	83	D3
37	W	83	D3
38	UW	83	D3
39	RO	83	D3
42	NR	84	B4
43	N	84	B4
44	R	84	B4
45	N	84	B4
46	MS	84	B4
48	U	84	B4
49	N	84	B4
50	BR	85	B5
51	RO	85	B5
53	NY	85	B5
55	U	85	B5
56	UR	85	B5
57	N	85	B5
58	U	85	D5
59	NR	85	D5
60	W	85	D5
62	B	85	C3-8
64	YP	85	C3-9
67	B	85	C3-8
72	YS	85	C3-9
78	RS	85	C2-4
80	RG	85	B1-1
88	B	85	C3-8
94	RY	85	C3-7
97	UY	85	C3-6
98	YP	85	C5-9

DB7 Wiring Diagram

Model - Aston Martin DB7 Coupe
 Harness Title - Left Forward 1
 Drawing Part No. - B37-81296
 Revision - 0

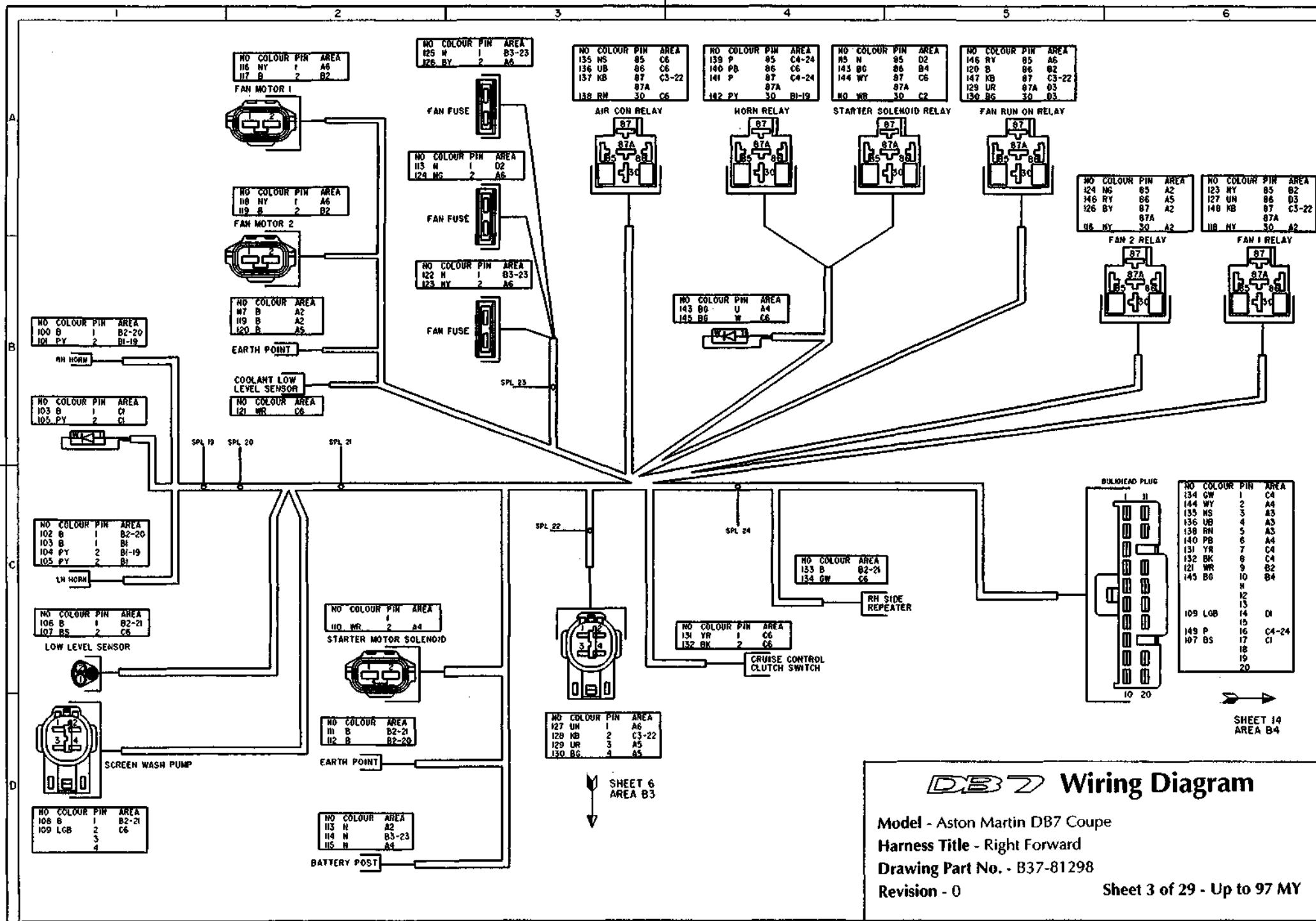
Splice No.	Colour		
Pin No.	Destination		
SPL 10	Blue/Red	SPL 16	Green/Red
36	B1	24	B1
56	C1	89	D4
81	D3	90	B6
82	D3	SPL 17	Brown
99	C6	43	C1
SPL 11	White	45	C1
37	C1	57	C1
47	C1	85	A4
91	B6	SPL 18	Brown
SPL 12	Blue/White	49	C1
38	C1	60	C1
69	A2	68	A2
75	D3	74	D3
76	D3	84	A4
96	C6		
SPL 13	Blue		
48	C1		
55	C1		
58	C1		
66	A2		
95	B6		
SPL 14	Brown/Red		
42	C1		
59	C1		
92	B6		
SPL 15	Red		
44	C1		
73	D3		
93	B6		



DB7 Wiring Diagram

Model - Aston Martin DB7 Coupe
 Harness Title - Left Forward 2
 Drawing Part No. - B37-81297
 Revision - 0

Splice No.	Colour
Pin No.	Destination
SPL 19	Purple/Yellow
101	B1
104	C1
142	A4
SPL 20	Black
100	B1
102	C1
112	D2
SPL 21	Black
106	C1
108	D1
111	D2
133	C4
SPL 22	Pink/Black
128	D3
137	A3
147	A5
148	A6
SPL 23	Brown
114	D2
122	B3
125	A3
SPL 24	Purple
139	A4
141	A4
149	C6



SHEET 6
AREA B3

SHEET 14
AREA B4

DB7 Wiring Diagram

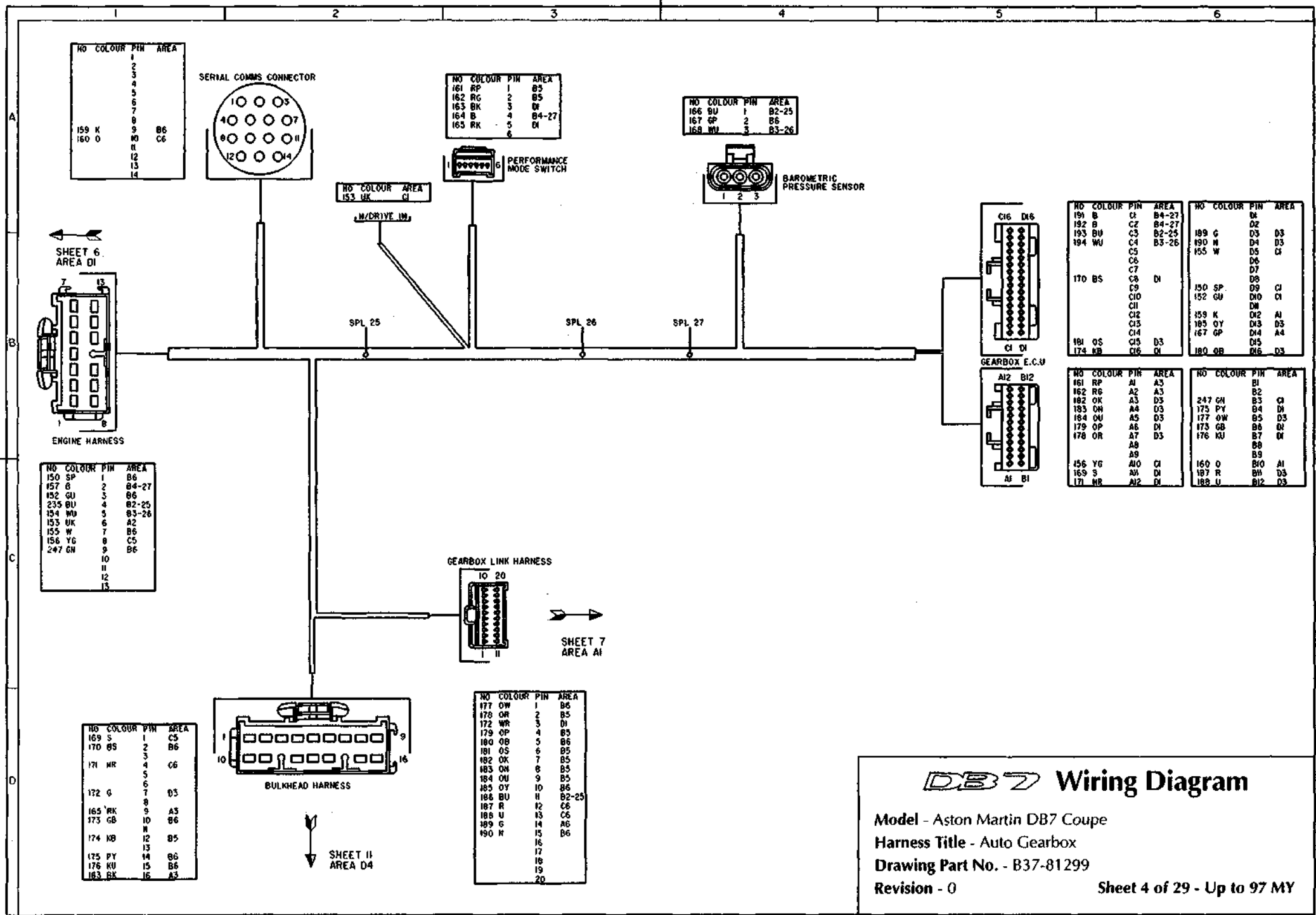
Model - Aston Martin DB7 Coupe
 Harness Title - Right Forward
 Drawing Part No. - B37-81298
 Revision - 0

Splice No. Colour
Pin No. Destination

SPL 25 Black/Blue
166 A4
186 D3
193 A5
235 C1

SPL 26 White/Blue
154 C1
168 A4
194 B5

SPL 27 Black
157 C1
164 A3
191 A5
192 A5

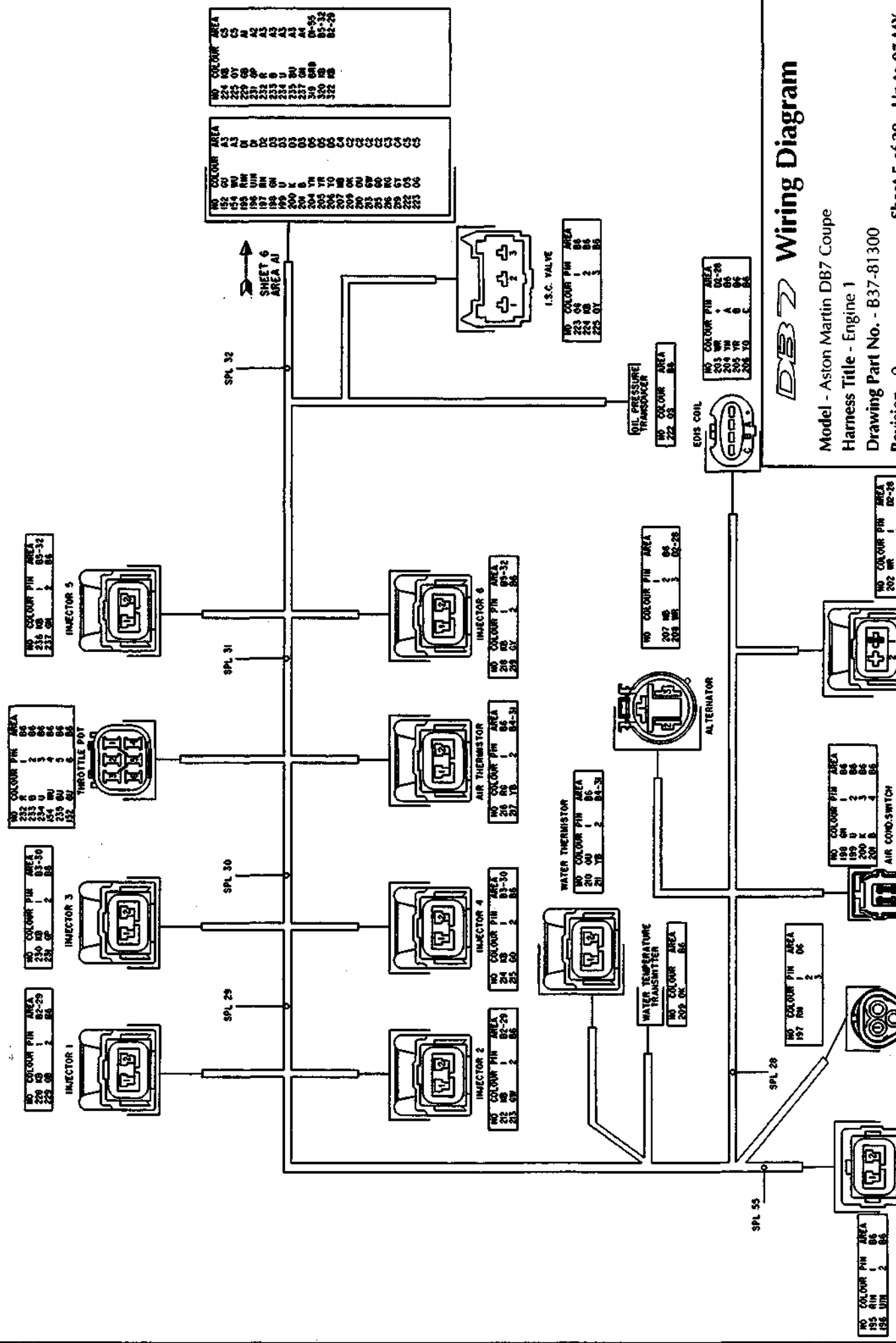


DB7 Wiring Diagram

Model - Aston Martin DB7 Coupe
 Harness Title - Auto Gearbox
 Drawing Part No. - B37-81299
 Revision - 0

Splice No.	Colour
Pin No.	Destination
SPL 28	White/Red
202	D4
203	D5
208	C4
263	B6
SPL 29	Pink/Black
212	C2
228	A2
322	B6
SPL 30	Pink/Black
214	C2
230	A2
231	B6
SPL 31	Yellow/Black
211	C3
217	C3
301	B6
SPL 32	Pink/Black
218	C4
236	A4
320	B6

6
5
4
3
2

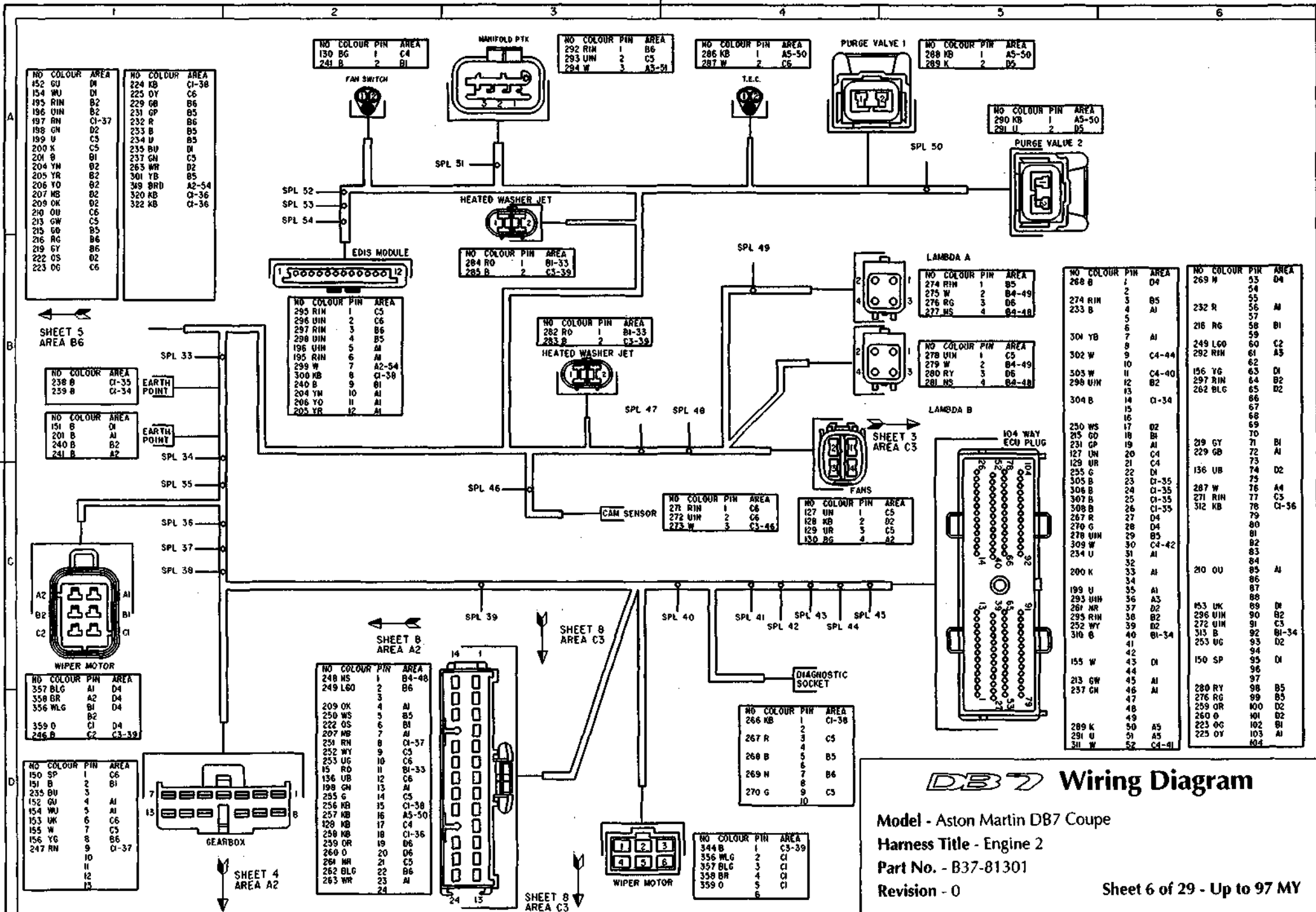


NO	CLOUR	AREA
152	GO	A3
154	WU	A3
185	LIM	D1
187	BN	D2
196	GN	D3
199	U	D3
200	K	D3
204	VR	B
205	YO	B
206	YU	B
207	MB	B
209	OK	B
210	GN	B
212	GN	B
213	GN	B
216	MB	B
217	OP	B
218	OP	B
219	OP	B
223	OK	A3
224	MB	CS
225	OY	CS
226	OK	A1
227	OP	A2
228	OP	A2
229	B	A3
231	B	A3
234	V	A3
235	BU	A4
237	GN	A4
319	GN	04-55
320	MB	04-32
322	MB	04-29

NO	CLOUR	AREA
216	MB	04-32
217	OP	04-32
218	OP	04-32
219	OP	04-32
223	OK	04-28
224	MB	04-28
225	OY	04-28
226	OK	04-28
227	OP	04-28
228	OP	04-28
229	B	04-28
231	B	04-28
234	V	04-28
235	BU	04-28
237	GN	04-28
319	GN	04-28
320	MB	04-28
322	MB	04-28

DB7 Wiring Diagram
 Model - Aston Martin DB7 Coupe
 Harness Title - Engine 1
 Drawing Part No. - B37-81300
 Revision - 0
 Sheet 5 of 29 - Up to 97 MY

Splice No.	Colour	SPL 39	Black	SPL 47	White
Pin No.	Destination	246	C1	242 BRD	C4-42
		264	D4	318	B4-49
SPL 33	Red/Orange	283	B3	SPL 48	Brown/Slate
15	D4	285	B3	248	C2
282	B3	344	D4	277	B5
284	B3	SPL 40	White	281	B5
SPL 34	Black	303	B5	SPL 49	White/Black
239	B1	316	C4-45	275	B5
304	B5	317	C4-43	279	B5
310	C5	SPL 41	White	318	B3-47
313	C6	311	D5	SPL 50	Pink/Black
SPL 35	Black	321 BRD	C3-46	257	D2
238	B1	SPL 42	White	286	A4
305	C5	242 BRD	B3-47	288	A5
306	C5	309	C5	290	A5
307	C5	SPL 43	White	SPL 51	White
308	C5	243 BRD	A2-52	294	A3
SPL 36	Pink/Black	317	C3-40	299	B2
258	C1	SPL 44	White	315 BRD	C4-44
312	C6	302	B5	SPL 52	
320	A1	315 BRD	A3-51	243 BRD	C4-43
322	A1	SPL 45	White	SPL 53	
SPL 37	Red/Brown	244 BRD	A2-53	244 BRD	C5-45
197	A1	314	A2-53	SPL 54	White
247	D1	316	C3-40	319 BRD	A1
251	D2	SPL 46	White	299	B2
SPL 38	Pink/Black	273	C4	SPL 55	
224	A1	321 BRD	C4-41	319 BRD	B6
256	D2				
266	D4				
300	B2				



NO	COLOUR	PIN	AREA
152	GU	D4	
154	WU	D1	
195	RIN	B2	
196	UIN	B2	
197	RN	CI-37	
198	GN	D2	
199	U	C5	
200	K	C5	
201	B	AI	
204	YN	B2	
205	YR	B2	
206	YO	B2	
207	MS	B2	
209	OK	B2	
210	OU	C6	
213	GW	C5	
215	GD	B5	
216	RG	B6	
219	GY	B6	
222	OS	B2	
223	OG	C6	

NO	COLOUR	PIN	AREA
224	KB	CI-38	
225	OY	C6	
229	GB	B6	
231	GP	B5	
232	R	B6	
233	B	B5	
234	U	B5	
235	BU	D4	
237	GN	C5	
253	WR	D2	
301	YB	B5	
309	BRD	A2-54	
320	KB	CI-36	
322	KB	CI-36	

NO	COLOUR	PIN	AREA
130	BG	1	C4
241	B	2	BI

NO	COLOUR	PIN	AREA
292	RIM	1	B6
293	UIN	2	C5
294	W	3	A3-51

NO	COLOUR	PIN	AREA
286	KB	1	A5-50
287	W	2	C6

NO	COLOUR	PIN	AREA
280	KB	1	A5-50
289	K	2	D5

NO	COLOUR	PIN	AREA
290	KB	1	A3-50
291	U	2	D5

NO	COLOUR	PIN	AREA
284	RO	1	BI-33
285	B	2	CI-39

NO	COLOUR	PIN	AREA
282	RO	1	BI-33
283	B	2	CI-39

NO	COLOUR	PIN	AREA
274	RIN	1	B5
275	W	2	B4-49
276	RG	3	D6
277	MS	4	B4-48

NO	COLOUR	PIN	AREA
278	VIN	1	C5
279	W	2	B4-49
280	RY	3	D6
281	MS	4	B4-48

NO	COLOUR	PIN	AREA
271	UIN	1	C5
272	UIN	2	C6
273	W	3	CI-46

NO	COLOUR	PIN	AREA
127	UIN	1	C5
128	KB	2	D2
129	UR	3	C5
130	BG	4	B2

NO	COLOUR	PIN	AREA
268	B	1	D4
274	RIN	2	B5
233	B	4	AI
5		5	
6		6	
7		7	
8		8	
9		9	
10		10	
11		11	
12		12	
14		14	
15		15	
16		16	
17		17	
18		18	
19		19	
20		20	
21		21	
22		22	
23		23	
24		24	
25		25	
26		26	
27		27	
28		28	
29		29	
30		30	
31		31	
32		32	
33		33	
34		34	
35		35	
36		36	
37		37	
38		38	
39		39	
40		40	
41		41	
42		42	
43		43	
44		44	
45		45	
46		46	
47		47	
48		48	
49		49	
50		50	
51		51	
52		52	

NO	COLOUR	PIN	AREA
269	M	33	D4
232	R	56	AI
216	RG	58	BI
249	L60	60	C2
292	RIN	61	A3
156	YG	63	D1
297	RIN	64	B2
262	BLG	65	D2
86		67	
67		68	
69		69	
70		70	
71		71	
72		72	
73		73	
74		74	
75		75	
76		76	
77		77	
78		78	
79		79	
80		80	
81		81	
82		82	
83		83	
84		84	
85		85	
86		86	
87		87	
88		88	
89		89	
90		90	
91		91	
92		92	
93		93	
94		94	
95		95	
96		96	
97		97	
98		98	
99		99	
100		100	
101		101	
102		102	
103		103	
104		104	

DB7 Wiring Diagram
 Model - Aston Martin DB7 Coupe
 Harness Title - Engine 2
 Part No. - B37-81301
 Revision - 0
 Sheet 6 of 29 - Up to 97 MY

Splice No. Colour
Pin No. Destination

SPL 204	White/Red
150	A5
151	A5
172	A1

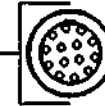
NO	CLOUR	PIN	AREA
177	OW	1	A5
178	OR	2	A5
172	WR	3	A5
179	OP	4	A5
180	OB	5	A5
181	OS	6	A5
182	OK	7	A5
183	ON	8	A5
184	OU	9	A5
185	OY	10	A5
186	BU	11	A5
187	R	12	B3
188	U	13	B3
189	G	14	B2
190	H	15	B2
		16	
		17	
		18	
		19	
		20	

SHEET 4
AREA C3



SPL 204

GEARBOX CONNECTOR



NO	CLOUR	PIN	AREA
178	OR	1	A1
179	OP	2	A1
180	WR	3	A2-204
182	OK	4	A1
183	ON	5	A1
184	OU	6	A1
185	OY	7	A1
186	BU	8	A1
177	OW	9	A1
181	OS	10	A2-204
180	OB	11	A1
		12	
181	OS	13	A1
		14	



INPUT SPEED SENSOR

NO	CLOUR	PIN	AREA
190	N	1	A1
189	G	2	A1

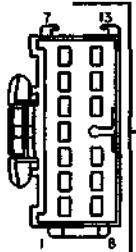


OUTPUT SPEED SENSOR

NO	CLOUR	PIN	AREA
187	R	1	A1
188	U	2	A1

SHEET 11
AREA C2

NO	CLOUR	PIN	AREA
145	BG	1	C2
497	SLG	2	C1
521	YU	3	C2
541	YU	4	C2
		5	
		6	
		7	
		8	
		9	
547	B	10	C1
262	B6	11	C2
		12	
		13	



ENGINE HARNESS

145,521,541,262
TAPED IN LOOM

REVERSE LAMP
SWITCH



NO	CLOUR	PIN	AREA
497	SLG	1	C1
547	B	2	C1
		3	C1

DB7 Wiring Diagram

Model - Aston Martin DB7 Coupe

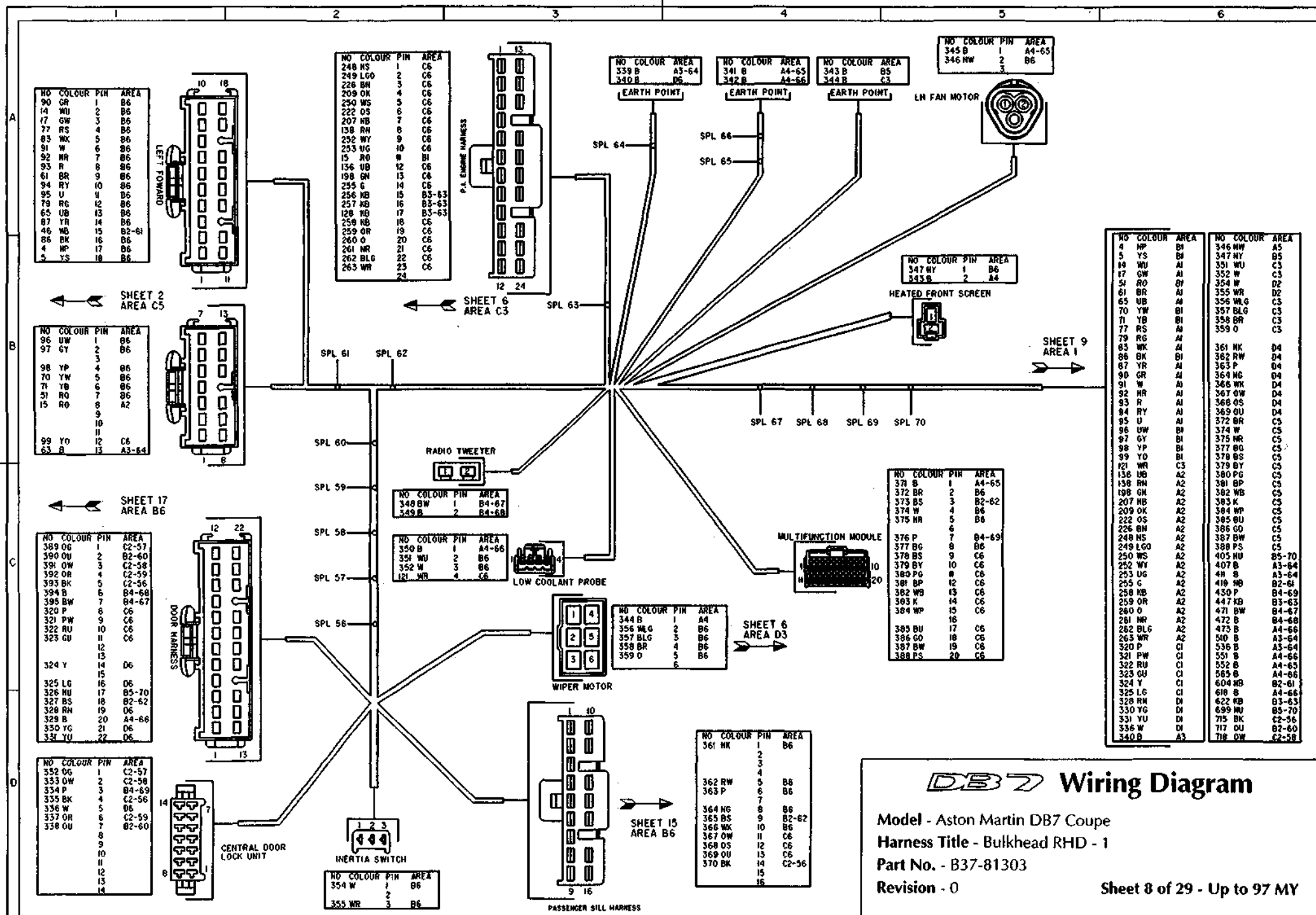
Harness Title - Auto/Manual Gearbox

Part No. - B37-81302

Revision - 0

Sheet 7 of 29 - Up to 97 MY

Splice No. Pin No.	Colour Destination	Splice No.	Colour	Splice No.	Colour
		SPL 63	Pink/Black	SPL 68	Black
		128	A2	349	C3
		256	A2	394	B1
SPL 56	Black/Pink	257	A2	472	C6
335	D1	447	C6		
370	D4	622	D6	SPL 69	Purple
393	C1			334	D1
715	D6	SPL 64	Black	376	C5
		63	B1	430	C6
SPL 57	Orange/Green	339	A3		
332	C1	407	C6	SPL 70	Brown/Blue
389	D1	411	C6	326	D1
		510	C6	405	C6
SPL 58	Orange/White	536	C6	699	D6
333	D1				
391	C1	SPL 65	Black		
718	D6	341	A4		
		345	A5		
SPL 59	Orange/Red	371	C5		
337	D1	552	C6		
392	C1				
		SPL 66	Black		
SPL 60	Orange/Blue	329	D1		
338	D1	342	A4		
390	C1	350	C3		
717	D6	473	C6		
		551	C6		
SPL 61	Brown/Black	565	C6		
46	A1	618	C6		
419	C6				
604	C6	SPL 67	Black/White		
		348	C3		
SPL 62	Black/Slate	395	C1		
327	D1	471	C6		
365	D4				
373	C5				



NO	COLOUR	PIN	AREA
90	GR	1	B6
14	WU	2	B6
17	GW	3	B6
77	RS	4	B6
85	WX	5	B6
91	W	6	B6
92	NR	8	B6
93	R	8	B6
61	BR	9	B6
94	RY	10	B6
95	U	11	B6
79	RG	12	B6
65	UB	13	B6
87	YR	14	B6
46	WD	15	B2-61
86	BK	16	B6
4	NP	17	B6
5	YS	18	B6

NO	COLOUR	PIN	AREA
248	WS	1	C6
249	LGO	2	C6
226	BN	3	C6
209	OK	4	C6
250	WS	5	C6
222	OS	6	C6
207	NB	7	C6
138	RN	8	C6
232	WY	9	C6
233	UG	10	C6
15	RO	11	BI
136	UB	12	C6
198	GN	13	CA
255	G	14	C6
256	NB	15	B3-63
257	NB	16	B3-63
128	NB	17	B3-63
258	NB	18	C6
259	OR	19	C6
260	O	20	C6
261	NR	21	C6
262	BLG	22	C6
263	WR	23	C6
		24	C6

NO	COLOUR	AREA
339	B	A3-64
340	B	D6

NO	COLOUR	AREA
341	O	A4-65
342	B	A4-66

NO	COLOUR	AREA
343	B	B5
344	B	C3

NO	COLOUR	PIN	AREA
345	B	1	A4-65
346	NW	2	B6
		3	

NO	COLOUR	PIN	AREA
347	NY	1	B6
348	B	2	B6

NO	COLOUR	AREA	NO	COLOUR	AREA
4	NP	BI	346	NW	A5
5	YS	BI	347	NY	B5
14	WU	AI	351	WU	C3
17	GW	AI	352	W	C3
51	RO	BI	354	W	D2
61	BR	AI	355	WR	D2
65	UB	AI	356	WLG	C3
70	YW	BI	357	BLG	C3
71	YB	BI	358	BR	C3
77	RS	AI	359	O	C3
79	RG	AI			
83	WK	AI	361	NK	D4
86	BK	BI	362	RW	D4
87	YR	AI	363	P	D4
90	GR	AI	364	NG	D4
91	W	AI	366	WK	D4
92	NR	AI	367	OW	D4
93	R	AI	368	OS	D4
94	RY	AI	369	OU	D4
95	U	AI	372	OR	C5
96	UW	BI	374	W	C5
97	GY	BI	375	NR	C5
98	YP	BI	377	OC	C5
99	YO	BI	378	BS	C5
121	WR	C3	379	BY	C5
138	UB	A2	380	PG	C5
158	RN	A2	381	BP	C5
198	OH	A2	382	WB	C5
207	NB	A2	383	K	C5
209	OK	A2	384	WP	C5
222	OS	A2	385	OU	C5
226	BN	A2	386	GO	C5
248	WS	A2	387	BW	C5
249	LGO	A2	388	PS	C5
250	WS	A2	405	HU	B5-70
252	WY	A2	407	B	A3-64
253	UG	A2	411	B	A3-64
255	G	A2	418	NB	B2-61
258	NB	A2	430	P	B4-69
259	OR	A2	447	KB	B3-63
260	O	A2	471	BW	B4-67
261	NR	A2	472	B	B4-68
262	BLG	A2	473	B	A4-66
263	WR	A2	500	B	A3-64
320	P	CI	536	B	A3-64
321	PW	CI	551	B	A4-66
322	RU	CI	552	B	A4-65
323	GU	CI	585	B	A4-66
324	Y	CI	604	NB	B2-61
325	LG	CI	618	B	A4-66
328	RH	DI	622	KB	B3-63
330	YG	DI	699	MU	B5-70
331	YU	DI	715	BK	C2-56
336	W	DI	717	OU	B2-60
340	B	A3	718	OW	C2-58

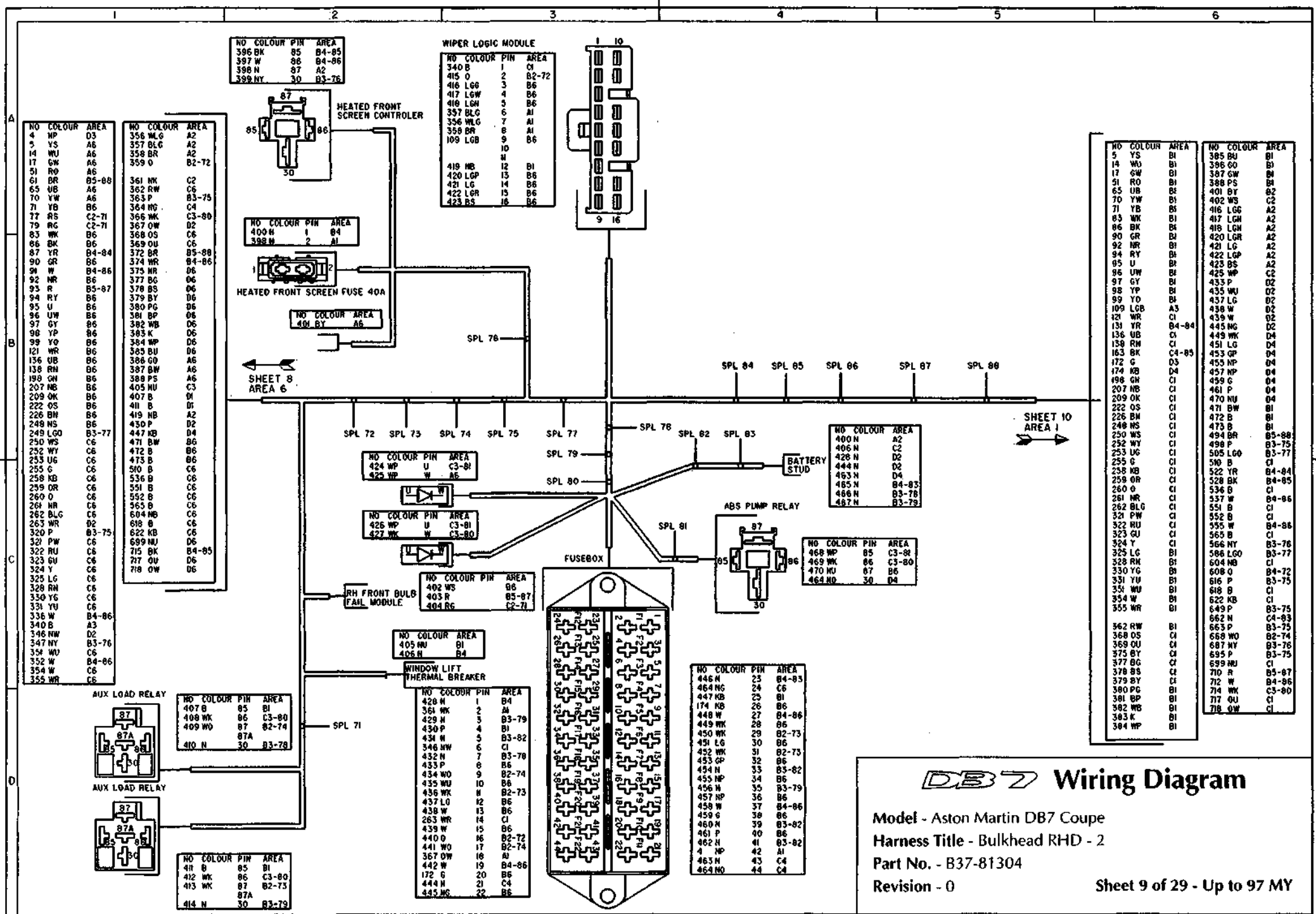
NO	COLOUR	PIN	AREA
376	P	7	B4-69
377	BG	8	B6
378	BS	9	C6
379	BY	10	C6
380	PG	11	C6
381	BP	12	C6
382	WB	13	C6
383	K	14	C6
384	WP	15	C6
		16	
385	BU	17	C6
386	GO	18	C6
387	BW	19	C6
388	PS	20	C6

NO	COLOUR	PIN	AREA
361	NK	1	B6
		2	
		3	
362	RW	4	B6
363	P	6	B6
		7	
364	NG	8	B6
365	BS	9	B2-62
366	WK	10	B6
367	OW	11	C6
368	OS	12	C6
369	OU	13	C6
370	BK	14	C2-56
		15	
		16	

DB7 Wiring Diagram

Model - Aston Martin DB7 Coupe
 Harness Title - Bulkhead RHD - 1
 Part No. - B37-81303
 Revision - 0

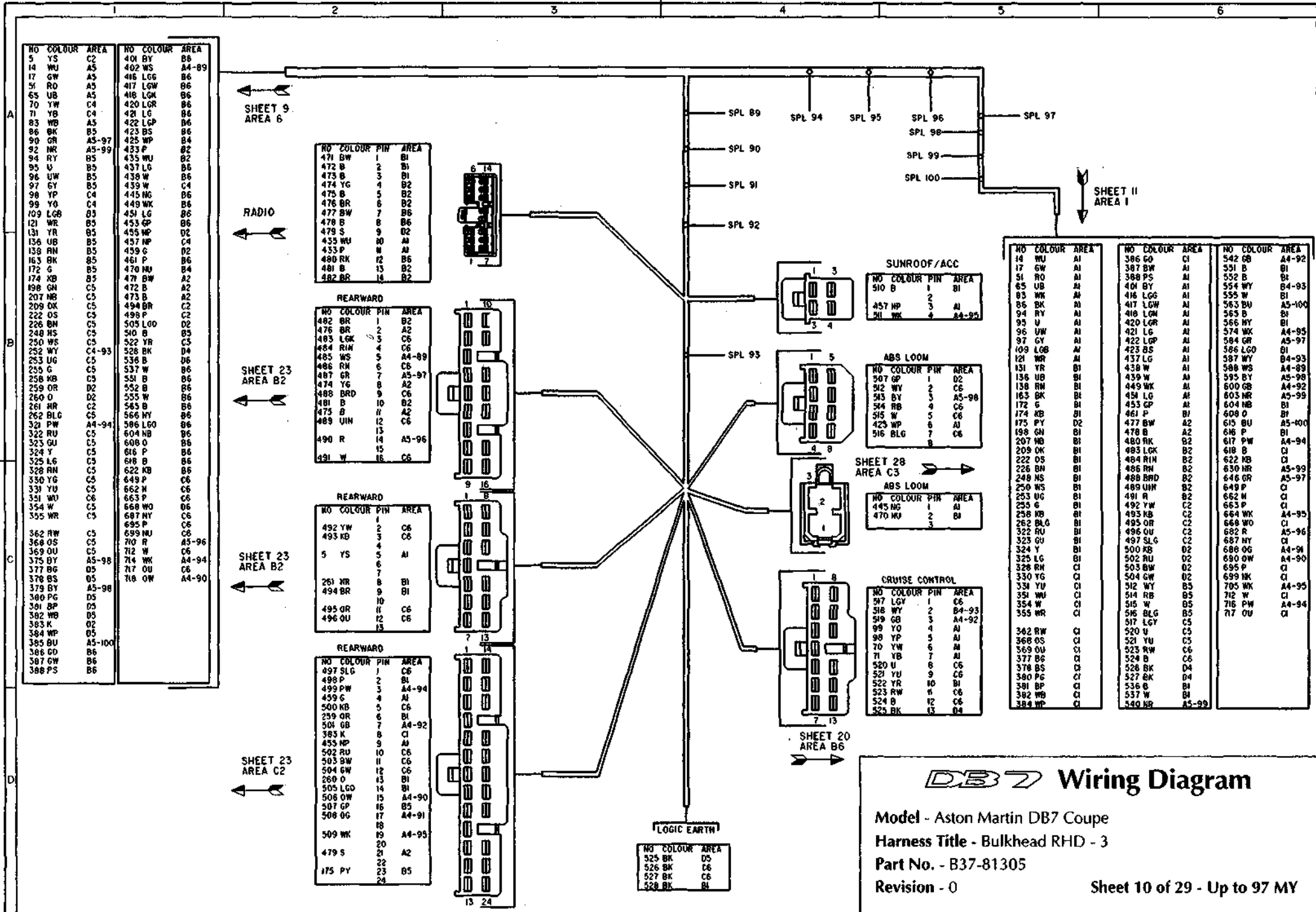
Splice No. Pin No.	Colour Destination	SPL 76	Brown/Yellow	SPL 82	Brown	SPL 87	Red
SPL 71	Red/Slate	347	C1	431	D2	93	B1
77	A1	399	A2	451	D4	403	C3
79	A1	566	C6	454	D4	710	D6
404	C3	687	C6	460	D4	SPL88	Black/Red
SPL 72	Orange	SPL 77	LtGreen/ Orange	462	D4	61	B1
359	A1	249	B1	SPL 83	Brown	372	B1
415	A2	505	B6	446	D4	494	B6
440	D2	586	C6	465	C4		
608	C6	SPL 78	Brown	662	C6		
SPL 73	White/Pink	410	D1	SPL 84	Yellow/Red		
413	D1	432	D2	87	B1		
436	D3	466	C4	131	B6		
450	D4	SPL 79	Brown	522	C6		
452	D4	414	D1	SPL 85	Black/Pink		
SPL 74	White/Orange	429	D2	163	B6		
409	D1	456	D4	396	A1		
434	D2	467	C4	528	C6		
441	D2	SPL 80	White/Pink	715	C1		
668	C6	366	A1	SPL 86	White		
SPL 75	Purple	408	D1	91	B1		
320	C1	412	D1	336	D1		
363	A1	427	C2	352	C1		
498	B6	469	C4	374	B1		
616	C6	714	D6	397	A1		
649	C6	SPL 81	White/Purple	442	D2		
663	C6	424	C2	448	D4		
695	C6	426	C2	458	D4		
		468	C4	537	C6		
				555	C6		
				712	C6		



DB7 Wiring Diagram

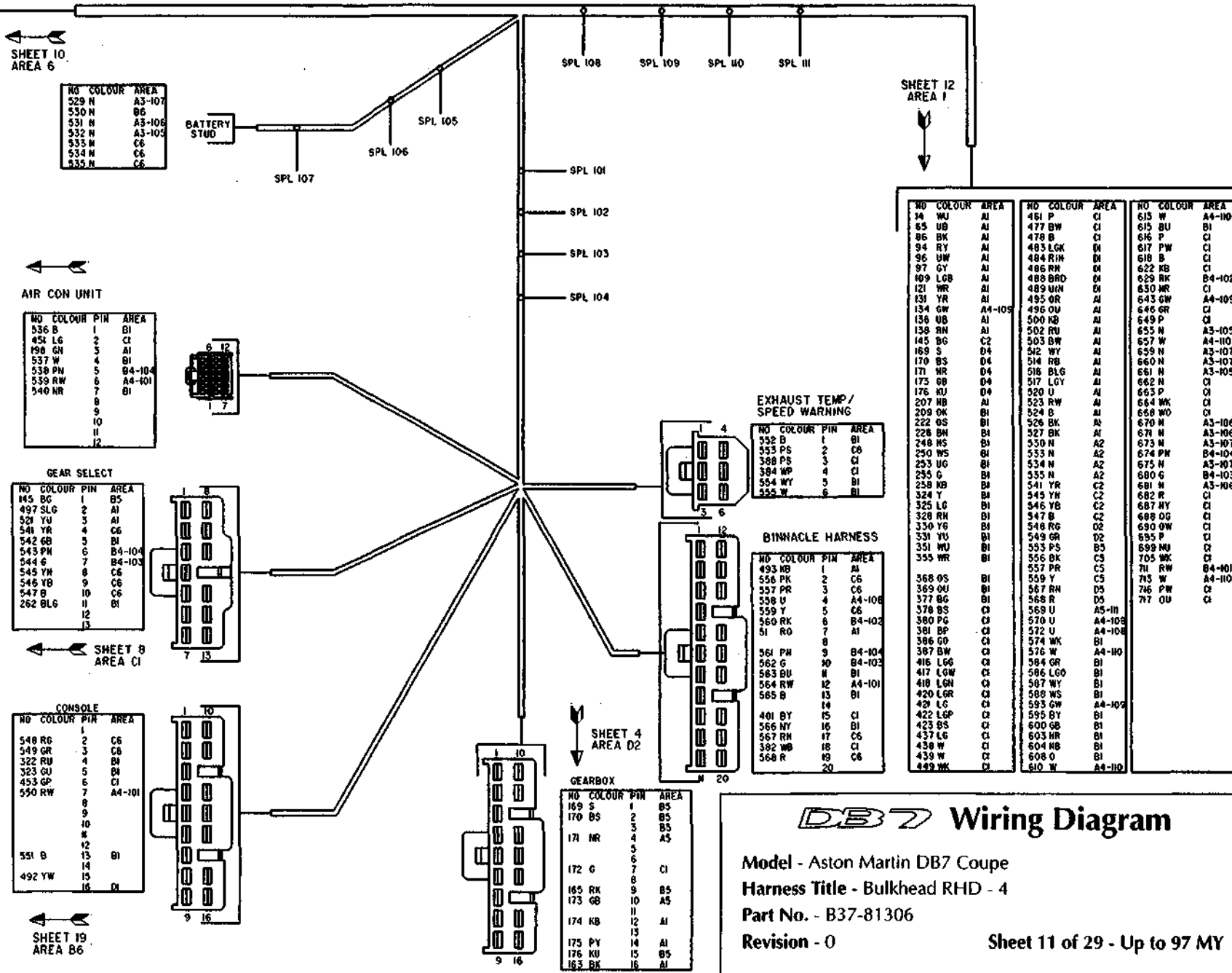
Model - Aston Martin DB7 Coupe
 Harness Title - Bulkhead RHD - 2
 Part No. - B37-81304
 Revision - 0

Splice No.	Colour	SPL 95	White/Pink
Pin No.	Destination	509	D2
		511	B4
SPL 89	White/Slate	574	B6
402	A1	594	
485	B2	664	C6
588	B6	705	C6
		714	C1
SPL 90	Orange/White	SPL 96	Red
506	D2	490	B2
690	C6	682	C6
718	C1	710	C1
SPL 91	Orange/Green	SPL 97	Green/Red
508	D2	90	A1
688	C6	487	B2
SPL 92	Green/Black	584	B6
501	D2	646	B6
542	B6	SPL 98	Black/Yellow
519	C4	375	C1
600	B6	379	C1
SPL 93	White/Yellow	513	B4
252	B1	595	B6
518	C4	SPL 99	Brown/Red
587	B6	92	A1
554	B6	540	C6
SPL 94	Purple/White	603	B6
321	A1	630	B6
499	C2		
617	B6		
716	C6		



Splice No. Pin No.	Colour Destination	SPL 106	Brown	SPL 111	Blue
SPL 100	Black/Blue				
385	C1	531	A2	95	A1
563	B6	670	B6	569	C6
615	B6	671	B6		
		681	C6		
SPL 101	Purple/White	SPL 107	Brown		
362	B1	529	A2		
539	C2	659	B6		
550	D2	660	B6		
564	C5	673	B6		
711	C6	675	C6		
SPL 102	Red/Pink	SPL 108	White/Pink		
165	D4	83	A1		
480	B1	558	C4		
560	C4	570	C6		
629	B6	572	C6		
SPL 103	Green	SPL 109	Green/White		
544	C2	17	A1		
562	C5	134	B5		
680	C6	504	A1		
		593	D6		
		643	B6		
SPL 104	Purple/Brown	SPL 110	White		
538	B2	354	B1		
543	C2	491	A1		
561	C5	515	A1		
674	C6	576	C6		
		610	D6		
SPL 105	Brown	613	B6		
532	A2	657	B6		
655	B6	712	C1		
661	B6	713	C6		

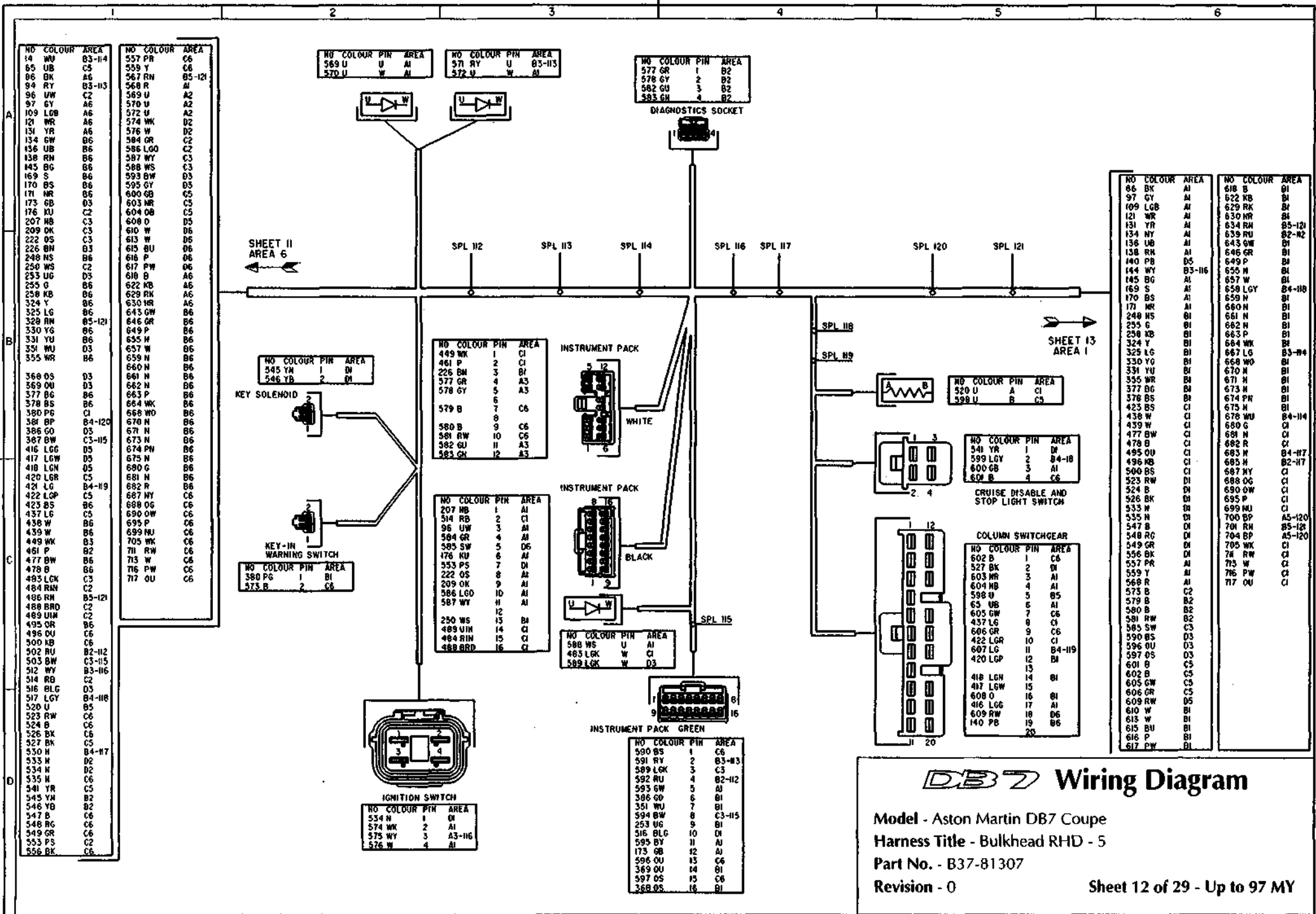
NO	COLOUR	AREA	NO	COLOUR	AREA
14	WU	B5	491 R	D2	A4-110
17	GW	A4-108	492 YW	D2	
54	RO	C5	493 NB	C5	
65	UB	C5	495 OR	B6	
83	WK	A4-108	496 OU	B6	
86	BK	C5	497 SLG	C2	
94	RY	B5	500 NB	B6	
95	U	A5-111	502 RU	B6	
96	UW	B5	503 GW	B6	
97	GY	B5	504 BW	B6	A3-109
109	LGB	B5	512 WY	B6	
121	WR	B5	514 RB	B6	
131	YR	B5	515 W	A4-110	
136	UB	B5	516 BLG	B6	
139	RN	B4	517 LGY	B6	
163	BK	D4	520 U	B6	
172	G	D4	521 YU	C2	
174	NB	D4	523 RW	B6	
175	PY	D5	524 B	B6	
198	GN	B2	526 BK	B6	
207	NB	B5	527 BK	B6	
209	OK	B5	536 D	B2	
222	OS	B5	537 W	B2	
226	BN	B5	540 NR	B2	
248	HS	C5	542 GB	B2	
250	WS	C5	551 B	B2	
253	UG	C5	552 O	B5	
255	G	C5	554 WY	C5	
258	KB	C2	555 W	C5	
262	BLG	C5	563 BU	C5	
322	RU	D2	565 D	C5	
323	GU	D2	566 NY	D5	
324	Y	C5	574 WK	C6	
325	LG	C5	584 GR	C6	
328	RN	C5	586 LGO	C6	
330	YG	C5	587 WY	C6	
334	YU	C5	588 WS	C6	
351	WB	C5	595 BY	D6	
354	W	A4-110	600 GB	D6	
355	WR	C5	603 NR	D6	
			604 NB	D6	
			608 O	D6	
			615 BU	D6	
			616 P	D6	
			617 PW	D6	
			618 B	D6	
			622 NB	B6	
			630 NR	B6	
			646 GR	B6	
			649 P	B6	
			662 M	B6	
			663 P	B6	
			664 WK	B6	
			668 WD	B6	
			682 R	C6	
			687 NY	C6	
			688 OG	C6	
			690 OW	C6	
			695 P	C6	
			699 NK	C6	
			705 WK	C6	
			712 W	A4-110	
			716 PW	C6	
			717 OU	C6	



DB7 Wiring Diagram

Model - Aston Martin DB7 Coupe
 Harness Title - Bulkhead RHD - 4
 Part No. - B37-81306
 Revision - 0
 Sheet 11 of 29 - Up to 97 MY

Splice No.	Colour	SPL 119	Lt Green
Pin No.	Destination	421	C1
		607	C4
		667	B6
SPL 112	Red/Blue		
502	C1		
592	D3	SPL 120	Black/Purple
639	B6	381	B1
		700	C6
		704	C6
SPL 113	Red/Yellow		
94	A1		
571	A2	SPL 121	Red/Brown
591	D3	328	B1
		486	C1
		567	A1
SPL 114	White/Blue	634	B6
14	A1	701	C6
667	B6		
678	B6		
		SPL 122	White
SPL 115	Black/White	438	B1
387	B1	439	B1
594	D3	614	A2
503	C1	666	D2
		677	C4
		679	D4
SPL 116	White/Yellow	686	D4
144	B6		
512	C1		
575	D2		
SPL 117	Brown		
530	D1		
683	B6		
685	B6		
SPL 118	LtGreen/Yellow		
517	D1		
599	C5		
658	B6		



NO	COLOUR	AREA
14	WU	B3-II4
45	UB	C5
86	BK	A6
94	RY	B3-II3
96	UW	C2
97	GY	A6
109	LGB	A6
121	WR	A6
131	YR	A6
134	GW	B6
136	UB	B6
138	RN	B6
145	BG	B6
169	S	B6
170	BS	B6
171	WR	B5
173	GB	B3
176	KU	C2
207	HB	C3
209	DK	C3
222	OS	C3
226	BN	B3
248	NS	B6
250	WS	C2
253	UG	D5
255	G	B6
258	KB	B6
324	Y	B6
325	LG	B6
328	RN	B5-II2
330	YG	B6
331	YU	B6
355	WR	B6
368	OS	B3
369	OU	D3
377	BG	B6
378	BS	B6
380	PG	C1
381	BP	B4-II20
386	GO	D5
387	BW	C3-II5
416	LGG	D5
417	LGW	D5
418	LGN	D5
420	LGR	C5
421	LG	B4-II9
422	LGP	C5
423	BS	B6
437	L6	C5
438	W	B6
439	W	B6
449	WK	B3
461	P	B2
477	BW	B6
479	B	B6
483	LCK	C3
484	RH	C2
486	RN	B5-II2
488	BRD	C2
489	UW	C2
495	OR	B6
496	OU	C6
500	KB	C6
502	RU	B2-II2
503	BW	C3-II5
512	WY	B3-II6
514	RB	C2
516	BLG	D3
517	LGY	B4-II8
520	U	B5
523	RW	C6
524	B	C6
526	BK	C6
527	BN	C5
530	H	B4-II7
533	W	D2
534	N	D2
535	N	C6
541	YR	C5
545	YN	B2
546	YB	B2
547	B	C6
548	RG	C6
549	GR	C6
553	PS	C2
556	BK	C6

NO	COLOUR	AREA
557	PR	C6
559	Y	C6
567	RN	B5-II2
568	R	A1
569	U	A2
570	U	A2
572	U	A2
574	WK	D2
576	W	D2
584	GR	C2
586	LGO	C2
587	WY	C3
588	WS	C3
593	BW	D3
595	GY	B5
600	OB	C5
603	WR	C3
604	OB	C5
608	D	D5
610	W	D6
613	W	D6
615	OU	D6
616	P	D6
617	PW	D6
618	B	A6
622	KB	A6
629	RK	A6
630	HR	A6
643	GW	B6
646	GR	B6
649	P	B6
655	H	B6
657	W	B6
659	N	B6
660	N	B6
661	H	B6
662	N	B6
663	P	B6
664	WK	B6
668	WO	B6
670	N	B6
671	N	B6
673	N	B6
674	PN	B6
675	H	B6
680	C	B8
681	H	B6
682	R	B8
687	NY	C6
688	OG	C6
690	OW	C6
695	P	C6
699	IU	C6
705	WK	C6
711	RW	C6
715	W	C6
716	PW	C6
717	OU	C6

NO	COLOUR	PIN	AREA
569	U	U	A1
570	U	W	A1

NO	COLOUR	PIN	AREA
571	RY	U	B3-II3
572	V	W	A1

NO	COLOUR	PIN	AREA
577	GR	1	B2
578	GY	2	B2
582	GU	3	B2
583	GH	4	B2

NO	COLOUR	PIN	AREA
545	YM	1	D1
546	YB	2	D1

NO	COLOUR	PIN	AREA
449	WK	1	C1
461	P	2	C1
226	BM	3	B1
577	GR	4	A3
578	GY	5	A3
579	B	6	C6
580	B	9	C6
581	RW	10	C6
582	GU	11	A3
583	GH	12	A3

NO	COLOUR	PIN	AREA
207	HB	1	A1
514	RB	2	C1
96	UW	3	A1
504	GR	4	A1
585	SW	5	D6
176	KU	6	A1
553	PS	7	D1
222	OS	8	A1
209	OK	9	A1
586	LGO	10	A1
587	WY	11	A1
250	WS	12	B1
489	IU	14	C1
484	RIN	15	C1
488	BRD	16	C1

NO	COLOUR	PIN	AREA
588	WS	U	A1
483	LCK	W	C1
589	LCK	W	D3

NO	COLOUR	PIN	AREA
500	BS	1	C6
591	RY	2	B3-II3
589	LCK	3	C3
592	RU	4	B2-II2
593	GW	5	A1
386	GD	6	B1
351	WU	7	B1
594	BW	8	C3-II5
253	UG	9	B1
316	BLG	10	D1
595	BY	11	A1
173	GB	12	A1
596	OU	13	C6
369	OU	14	B1
597	OS	15	C6
368	OS	16	B1

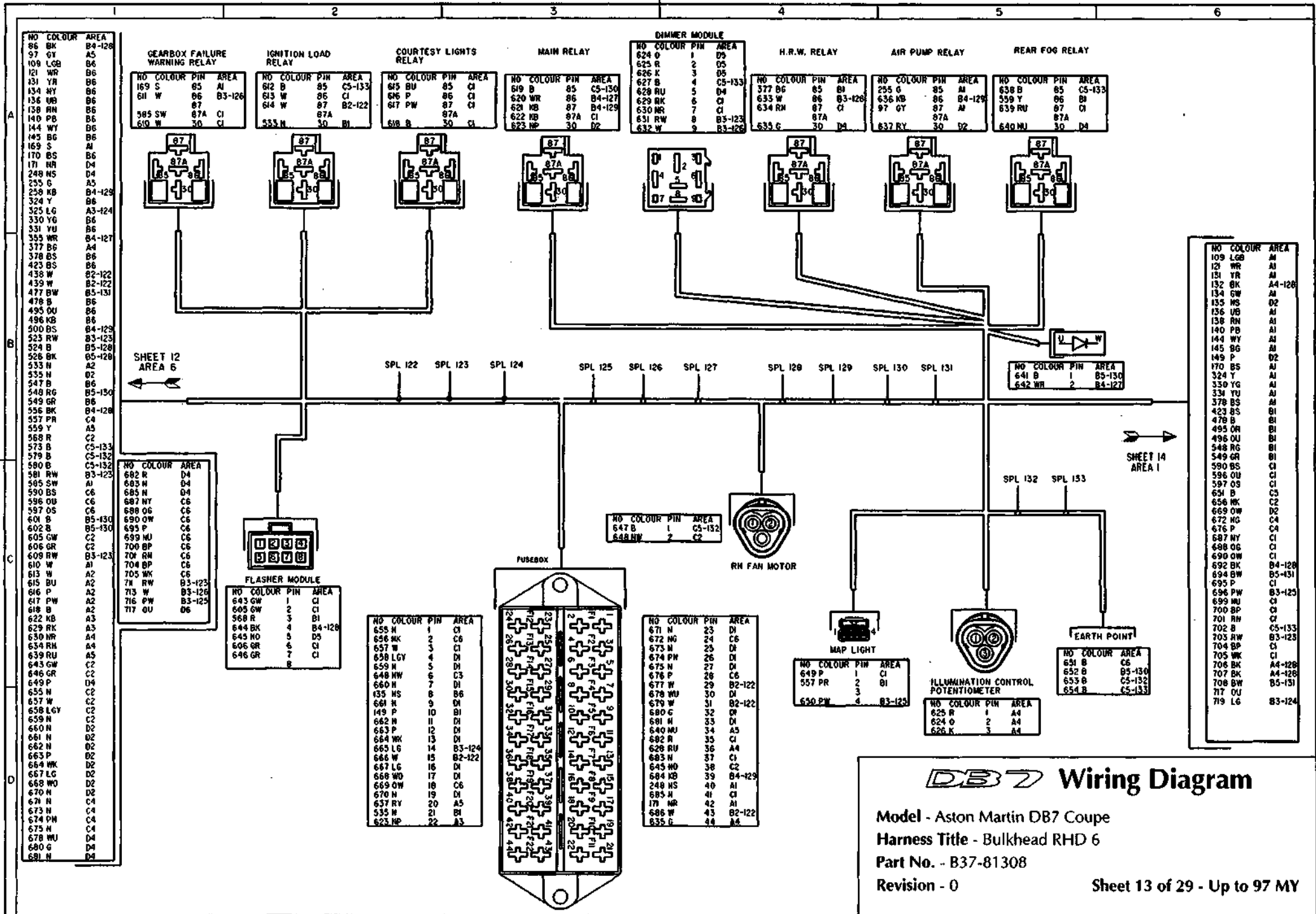
NO	COLOUR	AREA
86	BK	A1
97	GY	A1
109	LGB	A1
121	WR	A1
131	YR	A1
134	NY	A1
136	UB	A1
138	RN	A1
140	PB	B5
144	WY	B3-II6
145	BG	A1
169	S	A1
170	BS	A1
171	WR	A1
248	HS	B1
255	C	B1
258	KB	B1
324	Y	B1
325	LG	B1
330	YO	B1
331	YU	B1
355	WR	B1
377	BG	B1
378	BS	B1
423	BS	C1
438	W	C1
439	W	C1
477	BW	C1
478	B	C1
495	OU	C1
496	KB	C1
500	BS	C1
523	RW	D1
524	B	D1
526	BK	D1
533	W	D1
535	N	D1
547	B	D1
548	RG	D1
549	GR	D1
556	BK	D1
557	PR	A1
559	Y	A1
569	R	A1
598	U	A1
65	UB	A1
605	GW	A1
437	L6	A1
606	GR	A1
422	LGR	A1
607	LC	A1
420	LGP	A1
418	LGN	A1
417	LGW	A1
608	O	A1
416	LGG	A1
609	RW	A1
140	PB	A1

NO	COLOUR	AREA
618	B	B1
622	KB	B1
629	RK	B1
830	HR	B1
634	RR	B1
639	RU	B2-II2
643	GW	D1
646	GR	B1
649	P	B1
655	N	B1
657	W	B1
658	LGY	B4-II8
659	H	B1
680	N	B1
681	H	B1
682	N	B1
683	P	B1
684	WK	B3
667	LG	B3-II6
668	WO	B1
670	N	B1
671	H	B1
673	H	B1
674	PN	B1
675	H	B1
676	WU	B4-II4
680	G	C1
681	N	C1
682	R	C1
683	M	B4-II7
685	H	B2-II7
687	NY	C1
688	OG	C1
689	OW	C1
695	P	C1
699	IU	C1
700	BP	A5-II20
701	RH	A5-II20
704	BP	A5-II20
705	WK	C1
711	RW	C1
715	W	C1
716	PW	C1
717	OU	C1

DB7 Wiring Diagram

Model - Aston Martin DB7 Coupe
 Harness Title - Bulkhead RHD - 5
 Part No. - B37-81307
 Revision - 0

Splice No.	Colour	706	C6
Pin No.	Destination	707	C6
SPL 123	Red/White	SPL 129	Pink/Black
523	B1	258	A1
581	C6	500	B1
609	C1	621	A3
631	A4	636	A5
703	C6	684	D4
711	C1		
SPL 124	Lt Green	SPL 130	Black
325	A1	547	B1
665	D2	601	C1
719	C6	602	C1
		619	A3
SPL 125	Purple/White	641	B5
650	D4	652	C5
696	C6	SPL 131	Black/White
716	C1	477	B1
		694	C6
SPL 126	White	708	C6
611	A1		
632	A4	SPL 132	Black
633	A4	554	C5
713	C1	579	B1
		580	C6
SPL 127	White/Red	647	C4
355	B1		
620	A3	SPL 133	Black
642	B5	573	B1
		612	A2
SPL 128	Black/Pink	627	A4
86	A1	628	A5
132	B6	654	C5
526	B1	702	C6
644	C2		
692	C6		



DB7 Wiring Diagram

Model - Aston Martin DB7 Coupe
 Harness Title - Bulkhead RHD 6
 Part No. - B37-81308
 Revision - 0

Splice No. Colour
Pin No. Destination

SPL 134 Black/Slate

107 C5
378 A1
423 A1
590 B1

SPL 135 Black

478 A1
693 C2
709 C5

SPL 136 Lt Green

697 C2
698 C2
719 C1

SPL 137 Orange/Blue

496 B1
689 B2
717 C1

SPL 138 Orange/Red

495 B1
691 C2

NO	COLOUR	AREA
109	LGB	B5
121	WR	B5
131	YR	B5
132	BK	B5
134	GW	B5
135	NS	B5
136	UB	B5
138	RN	B5
140	PB	C5
144	WY	C5
145	BG	C5
149	P	C5
170	BS	A5
324	Y	C2
330	YG	C2
331	YU	C2
378	BS	A2-134
423	BS	A2-134
478	B	C3-135
485	DR	C3-138
496	OU	C3-137
548	RG	C2
549	GR	C2
590	BS	A2-134
596	OU	D2
597	OS	D2
651	B	B2
656	NK	D2
669	OW	D2
672	NG	D2
676	P	D2
687	MY	B2
688	OG	B2
690	OW	C2
692	BK	C2
694	BW	C2
695	P	C2
696	PW	C2
699	WJ	C2
700	BP	C2
701	RH	C2
702	B	C2
703	RW	D2
704	BP	D2
705	WK	D2
706	BK	D2
707	BK	A5
708	BW	C4
717	OU	C3-137
719	L6	B3-136

SHEET 13
AREA 6

SHEET 18
AREA B6

SHEET 16
AREA B6

DOOR HARNESS

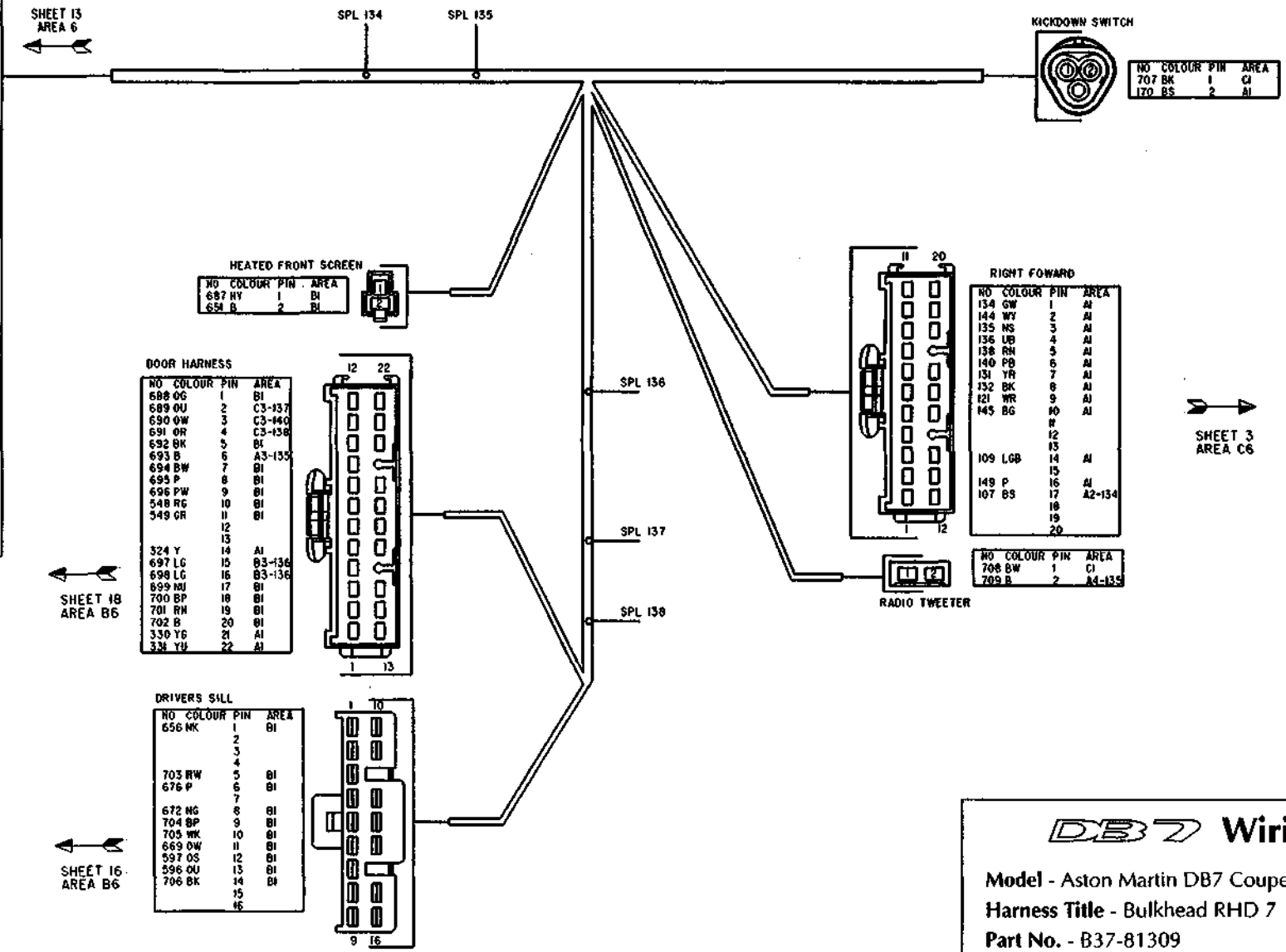
NO	COLOUR	PIN	AREA
688	OG	1	BI
689	OU	2	C3-137
690	OW	3	C3-140
691	OR	4	C3-138
692	BK	5	BI
693	B	6	A3-135
694	BW	7	BI
695	P	8	BI
696	PW	9	BI
548	RG	10	BI
549	OR	11	BI
		12	
		13	
324	Y	14	AI
697	LG	15	B3-136
698	LG	16	B3-136
699	WJ	17	BI
700	BP	18	BI
701	RH	19	BI
702	B	20	BI
330	YG	21	AI
331	YU	22	AI

DRIVERS SILL

NO	COLOUR	PIN	AREA
656	NK	1	BI
		2	
		3	
		4	
703	RW	5	BI
676	P	6	BI
		7	
672	NG	8	BI
704	BP	9	BI
705	WK	10	BI
669	OW	11	BI
597	OS	12	BI
596	OU	13	BI
706	BK	14	BI
		15	
		16	

HEATED FRONT SCREEN

NO	COLOUR	PIN	AREA
687	MY	1	BI
684	B	2	BI



NO	COLOUR	PIN	AREA
707	BK	1	C1
170	BS	2	AI

RIGHT FORWARD

NO	COLOUR	PIN	AREA
134	GW	1	AI
144	WY	2	AI
135	NS	3	AI
136	UB	4	AI
138	RN	5	AI
140	PB	6	AI
131	YR	7	AI
132	BK	8	AI
121	WR	9	AI
145	BG	10	AI
		11	
		12	
		13	
109	LGB	14	AI
		15	
149	P	16	AI
107	BS	17	A2-134
		18	
		19	
		20	

NO	COLOUR	PIN	AREA
708	BW	1	C1
709	B	2	A4-135

SHEET 3
AREA C6

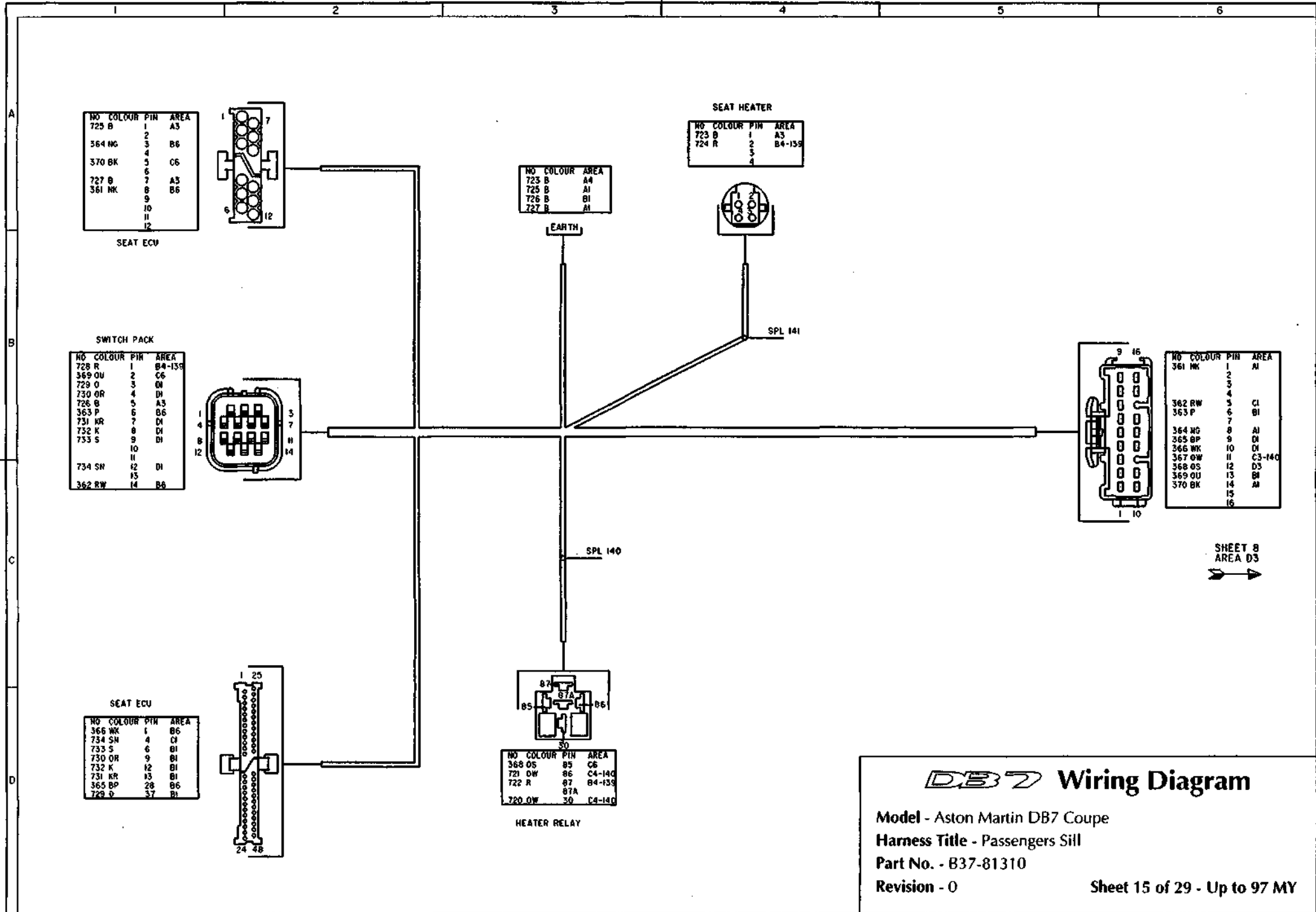
DB7 Wiring Diagram

Model - Aston Martin DB7 Coupe
 Harness Title - Bulkhead RHD 7
 Part No. - B37-81309
 Revision - 0

Splice No. Colour
Pin No. Destination

SPL 139 Red
722 D3
724 A4
728 B1

SPL 140 Orange/White
367 B6
720 D3
721 D3



SHEET 8
AREA D3
↔

DB7 Wiring Diagram

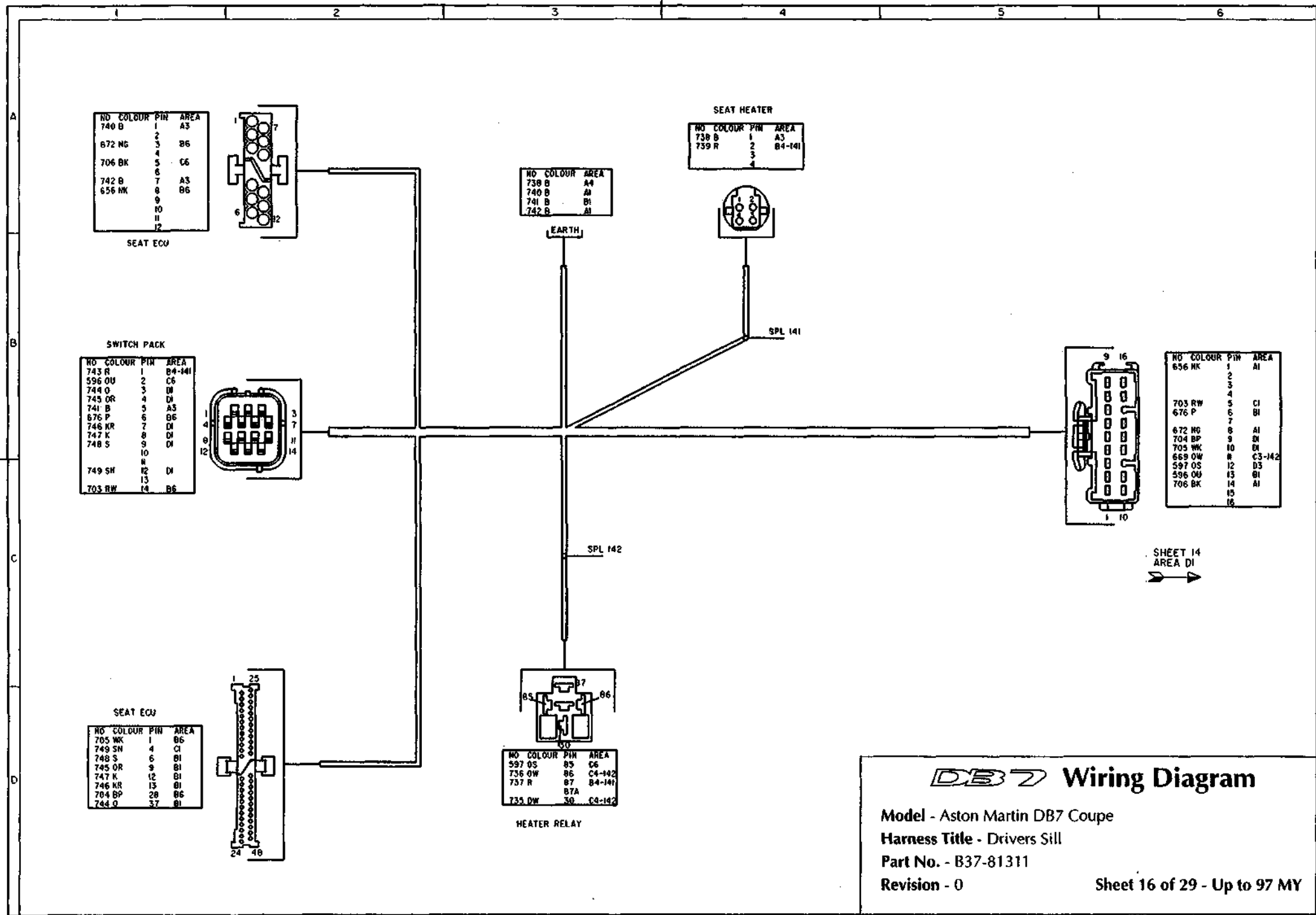
Model - Aston Martin DB7 Coupe
 Harness Title - Passengers Sill
 Part No. - B37-81310
 Revision - 0

Sheet 15 of 29 - Up to 97 MY

Splice No. Colour
Pin No. Destination

SPL 141 Red
737 D3
739 A4
743 B1

SPL 142 Orange/White
669 B6
735 D3
736 D3



NO	COLOUR	PIN	AREA
740 B	1	2	A3
672 NG	3	3	B6
706 BK	4	4	C6
742 B	7	7	A3
656 NK	8	8	B6
	9	9	
	10	10	
	11	11	
	12	12	

SEAT ECU

NO	COLOUR	PIN	AREA
738 B	1	1	A3
739 R	2	2	B4-141
	3	3	
	4	4	

SEAT HEATER

NO	COLOUR	AREA
738 B	A4	
740 B	A1	
741 B	D1	
742 B	A1	

EARTH

NO	COLOUR	PIN	AREA
743 R	1	1	B4-141
596 OU	2	2	C6
744 O	3	3	D1
745 OR	4	4	D1
741 B	5	5	A3
676 P	6	6	B6
746 KR	7	7	D1
747 K	8	8	D1
748 S	9	9	D1
	10	10	
749 SN	11	11	D1
	12	12	
	13	13	
703 RW	14	14	B6

SWITCH PACK

NO	COLOUR	PIN	AREA
656 NK	1	1	A1
	2	2	
	3	3	
	4	4	
703 RW	5	5	C1
676 P	6	6	B1
	7	7	
672 NG	8	8	A1
704 BP	9	9	D1
705 WK	10	10	D1
669 OW	11	11	C3-142
597 OS	12	12	D3
596 OU	13	13	B1
706 BK	14	14	A1
	15	15	
	16	16	

SHEET 14
AREA D1
→

NO	COLOUR	PIN	AREA
705 WK	1	1	B6
749 SN	4	4	C1
748 S	6	6	B1
745 OR	9	9	B1
747 K	12	12	B1
746 KR	13	13	B1
704 BP	28	28	B6
744 O	37	37	B1

SEAT ECU

NO	COLOUR	PIN	AREA
597 OS	85	85	C6
736 OW	86	86	C4-142
737 R	87	87	B4-141
	87A	87A	
735 DW	90	90	C4-142

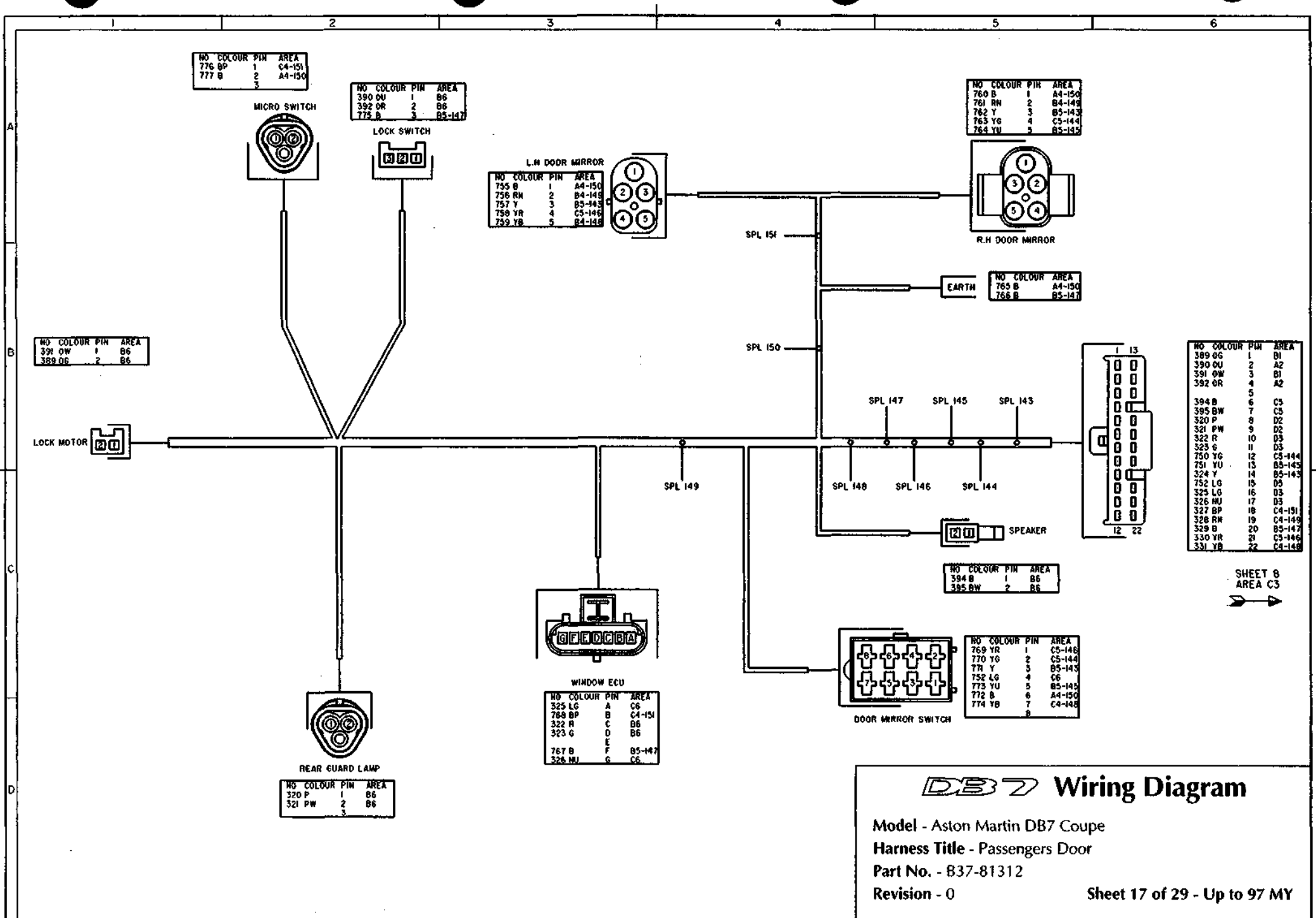
HEATER RELAY

DB7 Wiring Diagram

Model - Aston Martin DB7 Coupe
 Harness Title - Drivers Sill
 Part No. - B37-81311
 Revision - 0

Sheet 16 of 29 - Up to 97 MY

Splice No.	Colour	SPL 149	Red/Brown
Pin No.	Destination	328	C6
		756	A3
		761	A5
SPL 143	Yellow	SPL 150	Black
324	C6	755	A3
757	A3	760	A5
762	A5	765	B5
771	C5	772	C5
		777	A2
SPL 144	Yellow/Green	SPL 151	Black/Purple
750	B6	327	C6
763	A5	768	D3
770	C5	776	A2
SPL 145	Yellow/Blue		
751	B6		
764	A5		
773	C5		
SPL 146	Yellow/Red		
330	C6		
758	A3		
769	C5		
SPL 147	Black		
329	C6		
766	B5		
767	D3		
775	A2		
SPL 148	Yellow/Black		
331	C6		
759	A3		
774	D3		



NO	COLOUR	PIN	AREA
776	BP	1	C4-151
777	B	2	A4-150
		3	

NO	COLOUR	PIN	AREA
390	OU	1	B6
392	OR	2	B6
775	B	3	B5-147

NO	COLOUR	PIN	AREA
755	B	1	A4-150
756	RM	2	B4-149
757	Y	3	B5-149
758	YR	4	C5-144
759	YB	5	B4-149

NO	COLOUR	PIN	AREA
760	B	1	A4-150
761	RM	2	B4-149
762	Y	3	B5-149
763	YB	4	C5-144
764	YU	5	B5-149

NO	COLOUR	PIN	AREA
391	OW	1	B6
389	OG	2	B6

NO	COLOUR	AREA
765	B	A4-150
766	B	B5-147

NO	COLOUR	PIN	AREA
389	OG	1	B1
390	OU	2	A2
391	OW	3	B1
392	OR	4	A2
		5	
394	B	6	C5
395	BW	7	C5
320	P	8	D2
321	PW	9	D2
322	R	10	D3
323	G	11	D3
750	YG	12	C5-144
751	YU	13	B5-149
324	Y	14	B5-149
752	LG	15	D5
325	LG	16	D3
326	NU	17	D3
327	BP	18	C4-151
328	RM	19	C4-149
329	B	20	B5-147
330	YR	21	C5-146
331	YB	22	C4-149

NO	COLOUR	PIN	AREA
325	LG	A	C6
768	BP	B	C4-151
322	R	C	B6
323	G	D	B6
		E	
767	B	F	B5-147
326	NU	G	C6

NO	COLOUR	PIN	AREA
769	YR	1	C5-146
770	YG	2	C5-144
771	Y	3	B5-149
752	LG	4	C6
773	YU	5	B5-149
772	B	6	A4-150
774	YB	7	C4-149
		8	

NO	COLOUR	PIN	AREA
320	P	1	B6
321	PW	2	B6
		3	

DB7 Wiring Diagram

Model - Aston Martin DB7 Coupe

Harness Title - Passengers Door

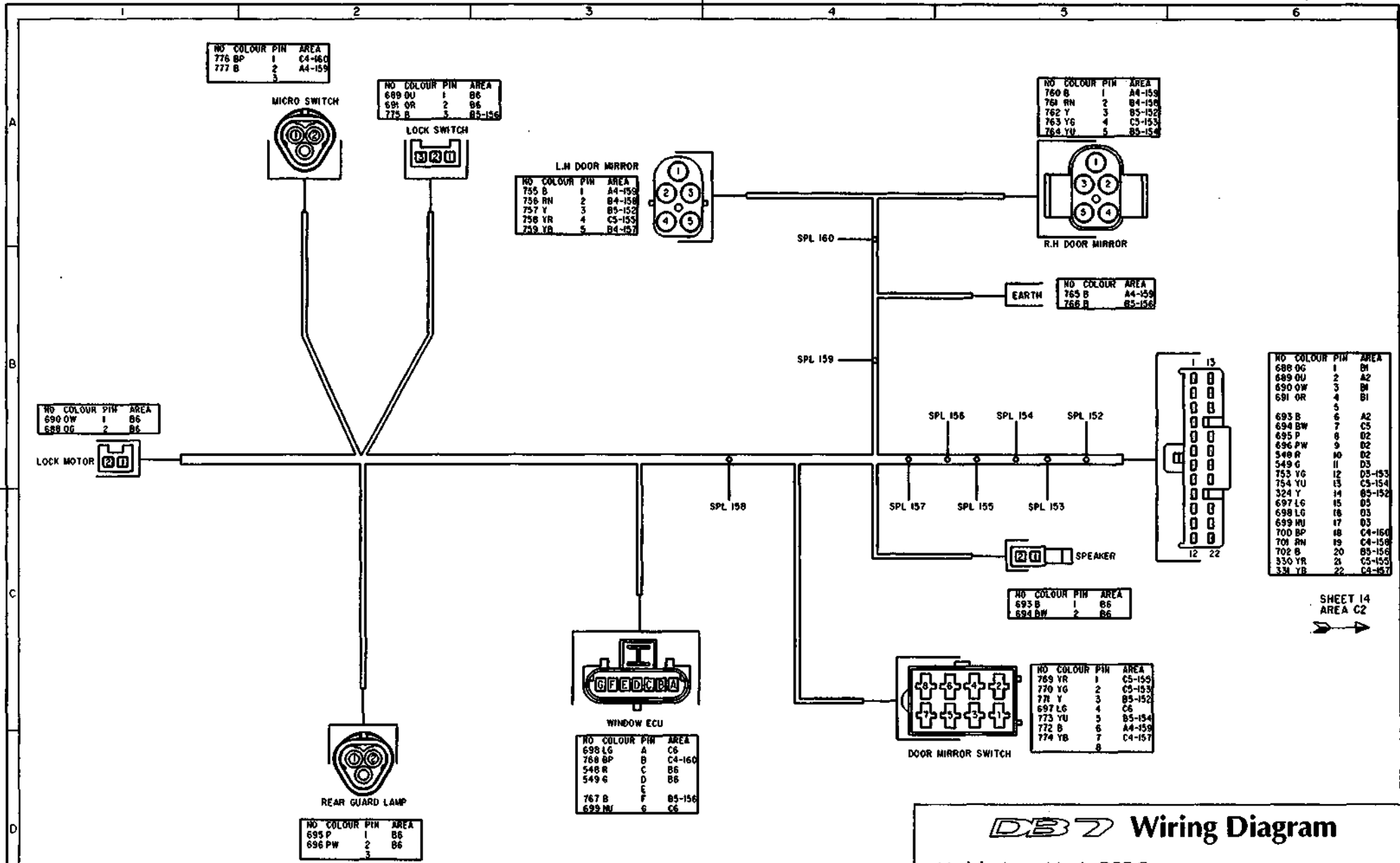
Part No. - 837-81312

Revision - 0

Sheet 17 of 29 - Up to 97 MY

SHEET 8
AREA C3

Splice No.	Colour	SPL 158	Red/Brown
Pin No.	Destination	701	C6
		756	A3
		761	A5
SPL 152	Yellow	SPL 159	Black
324	C6	755	A3
757	A3	760	A5
762	A5	765	B5
771	C5	772	C5
SPL 153	Yellow/Green	777	A2
753	B6	SPL 160	Black/Purple
763	A5	700	C6
770	C5	768	D3
SPL 154	Yellow/Blue	776	A2
754	B6		
764	A5		
773	C5		
SPL 155	Yellow/Red		
330	B6		
758	A3		
769	C5		
SPL 156	Black		
702	C6		
766	B5		
767	D3		
775	A2		
SPL 157	Yellow/Black		
331	B6		
759	A3		
774	D5		



SHEET 14
AREA C2

DB7 Wiring Diagram

Model - Aston Martin DB7 Coupe
 Harness Title - Drivers Door
 Part No. - B37-81313
 Revision - 0

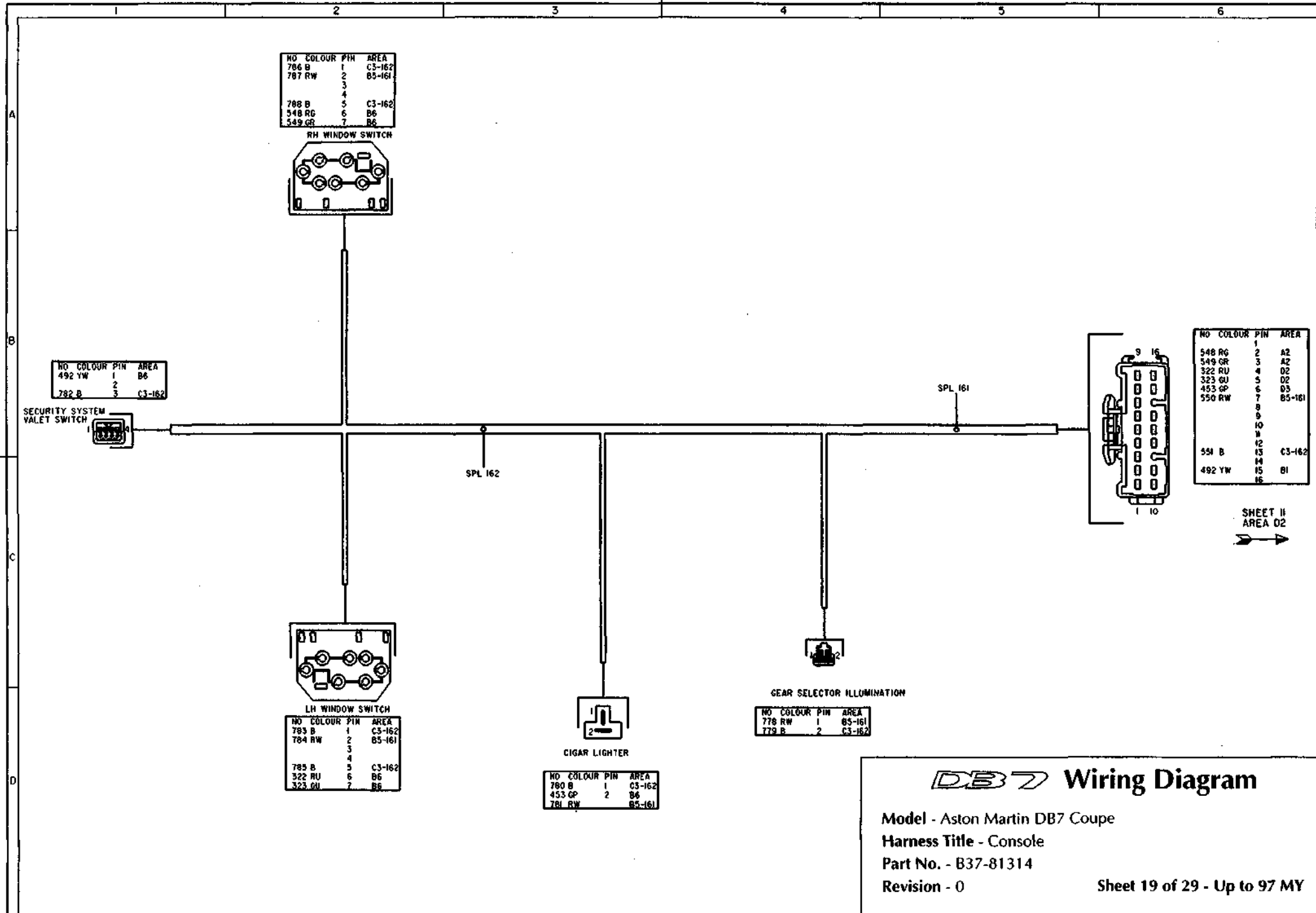
Splice No. **Colour**
Pin No. **Destination**

SPL 161 Red/White

550 B6
778 D4
781 D3
784 D2
787 A2

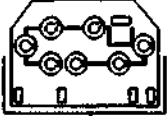
SPL 162 Black

551 B6
779 D4
780 D3
782 B1
783 D2
785 D2
786 A2
788 A2



NO	COLOUR	PIN	AREA
786 B		1	C3-162
787 RW		2	B5-161
		3	
		4	
788 B		5	C3-162
548 RG		6	B6
549 GR		7	B6

RH WINDOW SWITCH

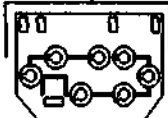


NO	COLOUR	PIN	AREA
492 YW		1	B6
782 B		2	C3-162
		3	

SECURITY SYSTEM VALET SWITCH



SPL 162



LH WINDOW SWITCH

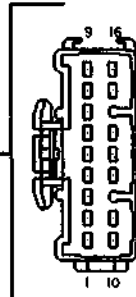
NO	COLOUR	PIN	AREA
783 B		1	C3-162
784 RW		2	B5-161
		3	
		4	
785 B		5	C3-162
322 RU		6	B6
323 GU		7	B6



CIGAR LIGHTER

NO	COLOUR	PIN	AREA
780 B		1	C3-162
453 GP		2	B6
781 RW			B5-161

SPL 161



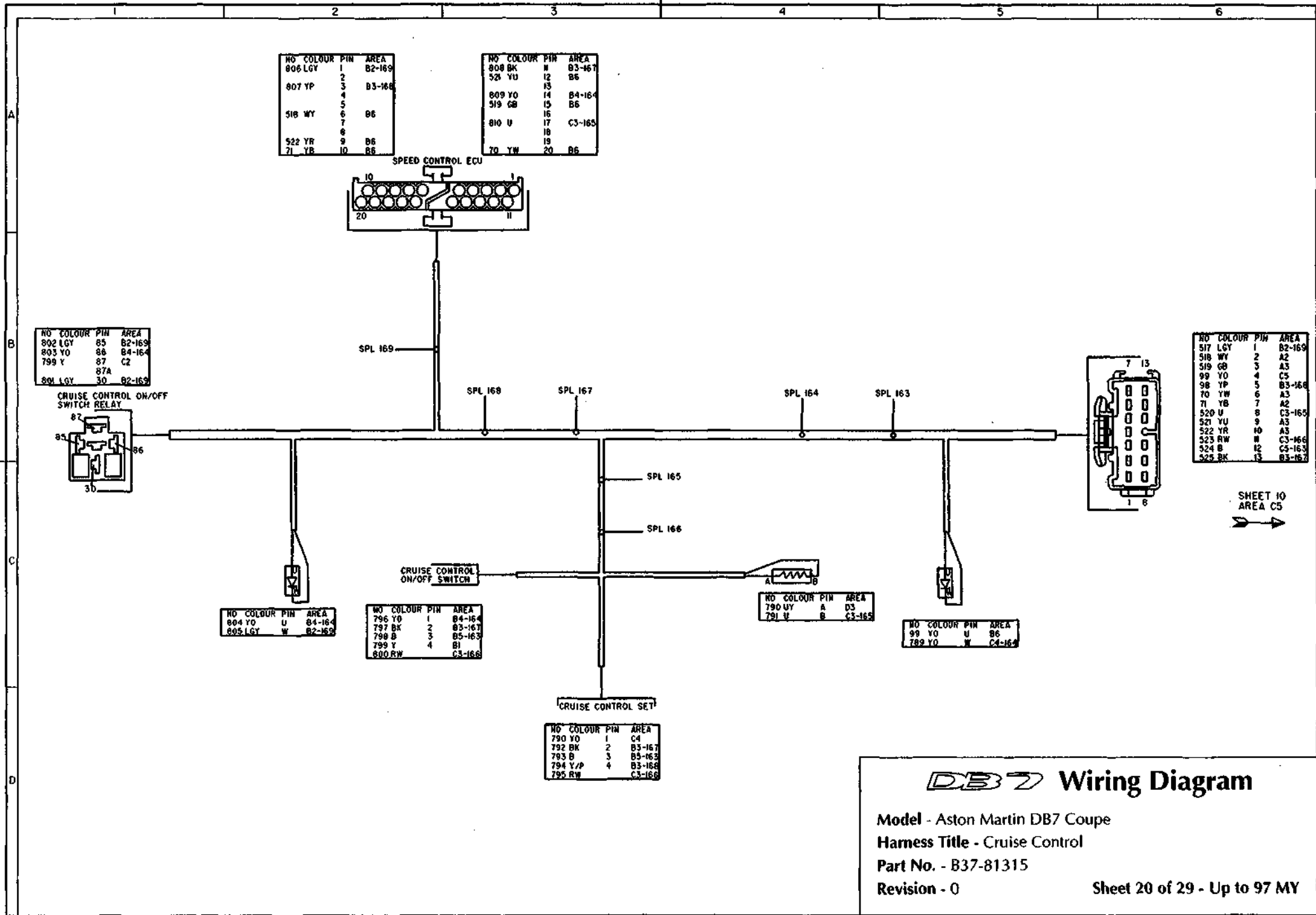
NO	COLOUR	PIN	AREA
		1	
548 RG		2	A2
549 GR		3	A2
322 RU		4	O2
323 GU		5	O2
453 GP		6	B3
550 RW		7	B5-161
		8	
		9	
		10	
		11	
551 B		12	C3-162
		13	
492 YW		14	B1
		15	
		16	

SHEET II
AREA 02

DB7 Wiring Diagram

Model - Aston Martin DB7 Coupe
 Harness Title - Console
 Part No. - B37-81314
 Revision - 0

Splice No.	Colour	SPL 168	Yellow/Purple
Pin No.	Destination		
SPL 163	Black	SPL 169	LtGreen/Yellow
524	B6	517	B6
793	D3	801	B1
798	C2	802	B1
SPL 164	Yellow/Orange	805	C2
789	C5	806	A2
796	C2		
803	B1		
804	C2		
809	A3		
SPL 165	Blue		
520	B6		
791	C4		
810	A3		
SPL 166	Red/White		
523	B6		
795	D3		
800	C2		
SPL 167	Black/Pink		
525	B6		
792	D3		
797	C2		
808	A3		



SHEET 10
AREA CS
→

DB7 Wiring Diagram

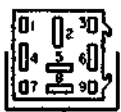
Model - Aston Martin DB7 Coupe
 Harness Title - Cruise Control
 Part No. - B37-81315
 Revision - 0
 Sheet 20 of 29 - Up to 97 MY

Splice No.	Colour
Pin No.	Destination

SPL 170	Black
547	B6
814	A2
815	B1
816	C2

GEAR SHIFT INTERLOCK MODULE

NO	COLOUR	PIN	AREA
542	GB	1	B6
543	PN	2	B6
813	US	3	B1
544	G	4	B6
545	YN	5	B6
814	B	6	B5-170
546	YB	7	B6
812	YR	8	C4
811	YG	9	C4



NO	COLOUR	AREA
813	US	A2
815	B	B5-170

PARK SWITCH

SPL 170

NO	COLOUR	PIN	AREA
445	BG	1	C3
497	SLG	2	C2
521	YU	3	D3
541	YR	4	D3
542	GB	5	A2
543	PN	6	A2
544	G	7	A2
545	YN	8	A2
546	YB	9	A2
547	B	10	B5-170
262	BLG	H	C3
		12	
		13	

SHEET II
AREA C2

START INHIBIT SWITCH

NO	COLOUR	PIN	AREA
145	BG	1	B6
262	BLG	2	B6

GEAR SHIFT INTERLOCK SOLENOID

NO	COLOUR	PIN	AREA
811	YG	1	A2
812	YR	2	A2

REVERSE LIGHT SWITCH

NO	COLOUR	AREA
497	SLG	B6
816	B	B5-170

CRUISE CONTROL SWITCH

NO	COLOUR	PIN	AREA
521	YU	1	B6
541	YR	2	B6

DB7 Wiring Diagram

Model - Aston Martin DB7 Coupe

Harness Title - Gear Shift Interlock

Part No. - B37-81316

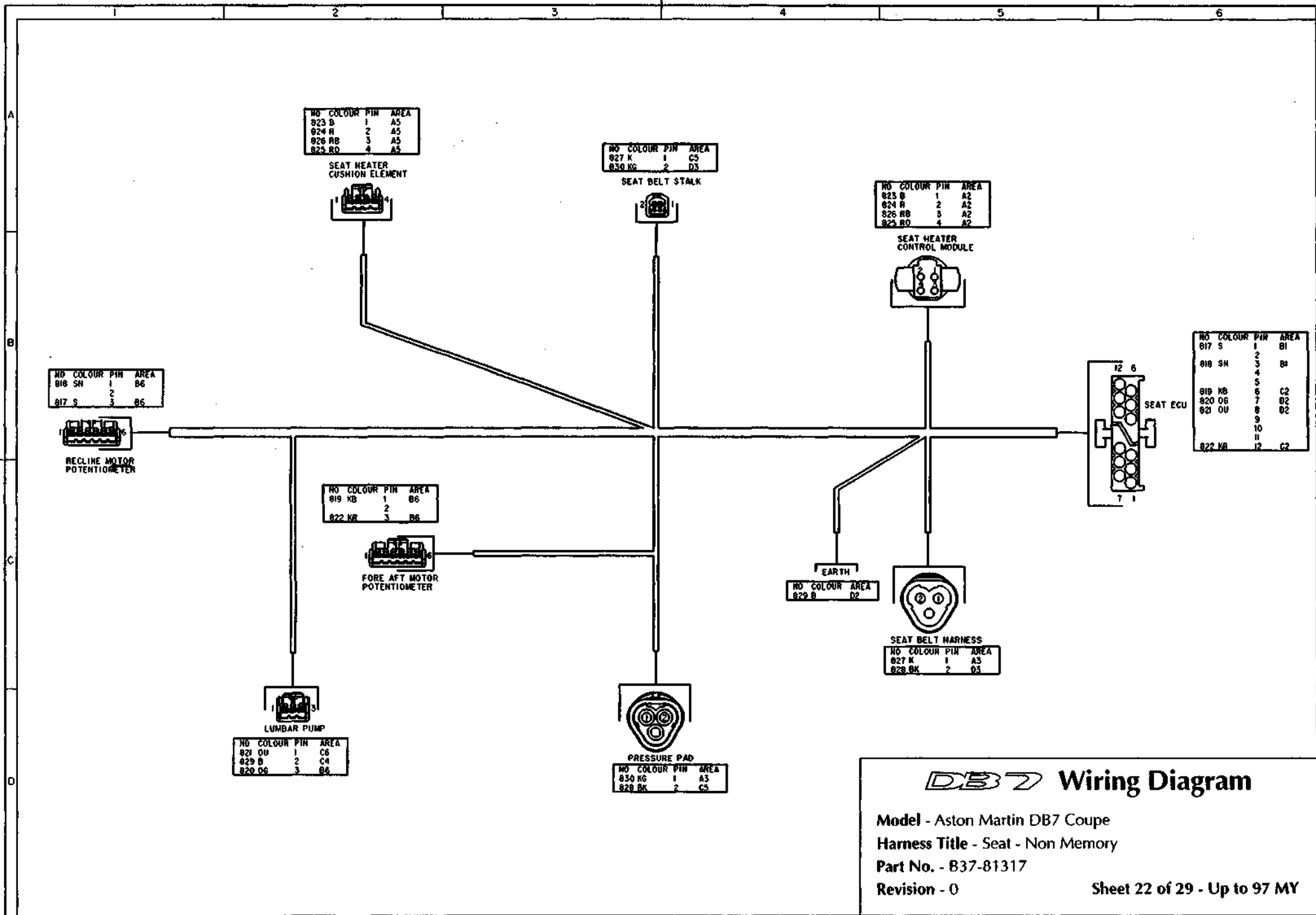
Revision - 0

Sheet 21 of 29 - Up to 97 MY

Splice No. **Colour**
Pin No. **Destination**

No Splices on Sheet 22





DB7 Wiring Diagram

Model - Aston Martin DB7 Coupe

Harness Title - Seat - Non Memory

Part No. - B37-81317

Revision - 0

Sheet 22 of 29 - Up to 97 MY

Splice No.	Colour		
Pin No.	Destination		
SPL 171	Black	SPL 178	Brown/Purple
872 BRD	B6	455	C1
940	B3	855	B6
		873	B6
SPL 172	Black/Pink	SPL 179	White/Pink
830	B3	509	D1
831	A3	907	B6
940	C3	930	B6
SPL 173	White/Slate	SPL 180	Red/Blue
485	B1	502	C1
894	B6	858	B6
897	B6	875	B6
SPL 174	Red		
490	B1		
893	B6		
896	B6		
SPL 175	Green		
459	C1		
902	B6		
904	B6		
SPL 176	Purple		
498	C1		
832	C3		
841	B6		
850	B6		
SPL 177	Purple/Pink		
499	C1		
842	B6		
851	B6		

NO	COLOUR	PIN	AREA
383	K	1	CI
834	BK	2	C3-172
		3	

SEAT BELT HARNESS



NO	COLOUR	AREA
830	BK	C3-172

EARTH

SPL 171

SPL 175

SPL 175

SPL 177

SPL 179

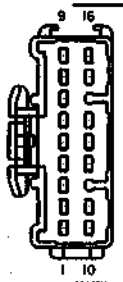
NO	COLOUR	AREA
832	P	C4-176
833	PS	BB

BOOT RELEASE SWITCH

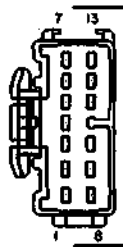
NO	COLOUR	PIN	AREA
834	MS	1	BB
835	MY	2	BB
836	V	3	BB

LEVEL SENSOR

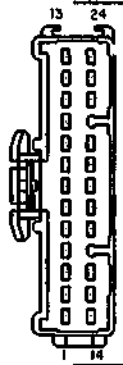
NO	COLOUR	PIN	AREA
482	BR	1	B6
476	BR	2	B6
483	LK	3	B6
484	RIM	4	B6
485	WS	5	B3-173
486	RN	6	B6
487	GR	7	B6
474	YG	8	B6
		9	
481	B	10	B6
475	B	11	B6
489	UIM	12	B6
490	R	13	C4-174
		14	B6
491	W	16	B6



NO	COLOUR	PIN	AREA
492	YW	2	B6
493	KB	3	B6
		4	
5	YS	5	B6
		6	
829	NO	7	B6
261	NR	8	B6
494	BR	9	B6
		10	
495	DR	11	B6
496	DU	12	B6
		13	



NO	COLOUR	PIN	AREA
497	SLG	1	B6
498	P	2	C4-176
499	PK	3	B5-177
459	G	4	B4-175
500	KB	5	B6
259	OR	6	B6
501	GB	7	C6
383	K	8	A3
455	NP	9	C5-178
502	RU	10	C5-180
503	BW	11	C6
504	GW	12	C6
280	Ø	13	B6
505	LGO	14	C6
506	OW	15	C6
507	GP	16	C6
508	OG	17	B6
509	WK	18	B5-175
		19	
479	S	21	B6
		22	
175	PY	23	B6
		24	



NO	COLOUR	AREA	NO	COLOUR	AREA
175	PY	BK	508	OG	DI
259	OR	CI	829	NO	CI
260	O	CI	833	PS	C3
261	NR	CI	834	MS	B3
474	YG	B3	835	MY	B3
475	B	BI	836	V	B3
476	BR	AI	841	P	C4-176
479	S	DI	842	PK	B5-177
481	B	BI	850	P	C4-176
482	BR	AI	851	PK	B5-177
483	LK	AI	855	NP	C5-178
484	RIM	BI	858	RU	C5-180
486	RN	BI	872	BRD	B3-171
487	GR	BI	873	NP	C3-178
489	UIM	BI	875	RU	C5-180
491	W	BI	893	R	C4-174
492	YW	BI	894	WS	B3-173
493	KB	BI	896	R	C4-174
494	BR	CI	897	WS	B3-173
495	OR	CI	902	C	B4-175
496	UI	CI	904	G	B4-175
497	SLG	CI	907	WK	B3-175
500	KB	CI	930	WK	B3-175
501	GB	CI			
503	BW	CI			
504	GW	CI			
505	LGO	CI			
506	OW	DI			
507	GP	DI			

SHEET 10
AREA B2

SHEET 10
AREA C2

SHEET 10
AREA D2

SHEET 24
AREA B1

DB7 Wiring Diagram

Model - Aston Martin DB7 Coupe

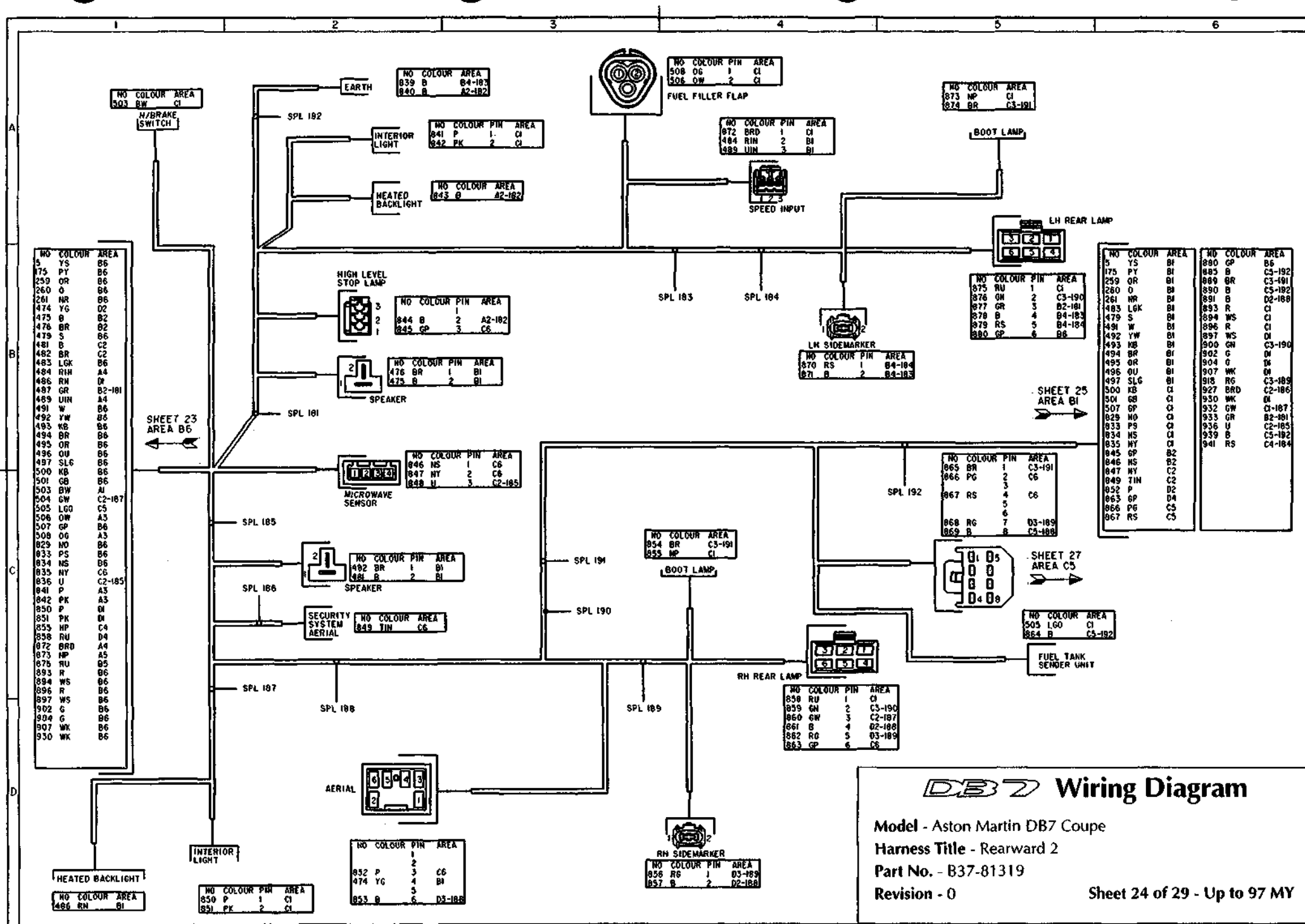
Harness Title - Rearward 1

Part No. - B37-81318

Revision - 0

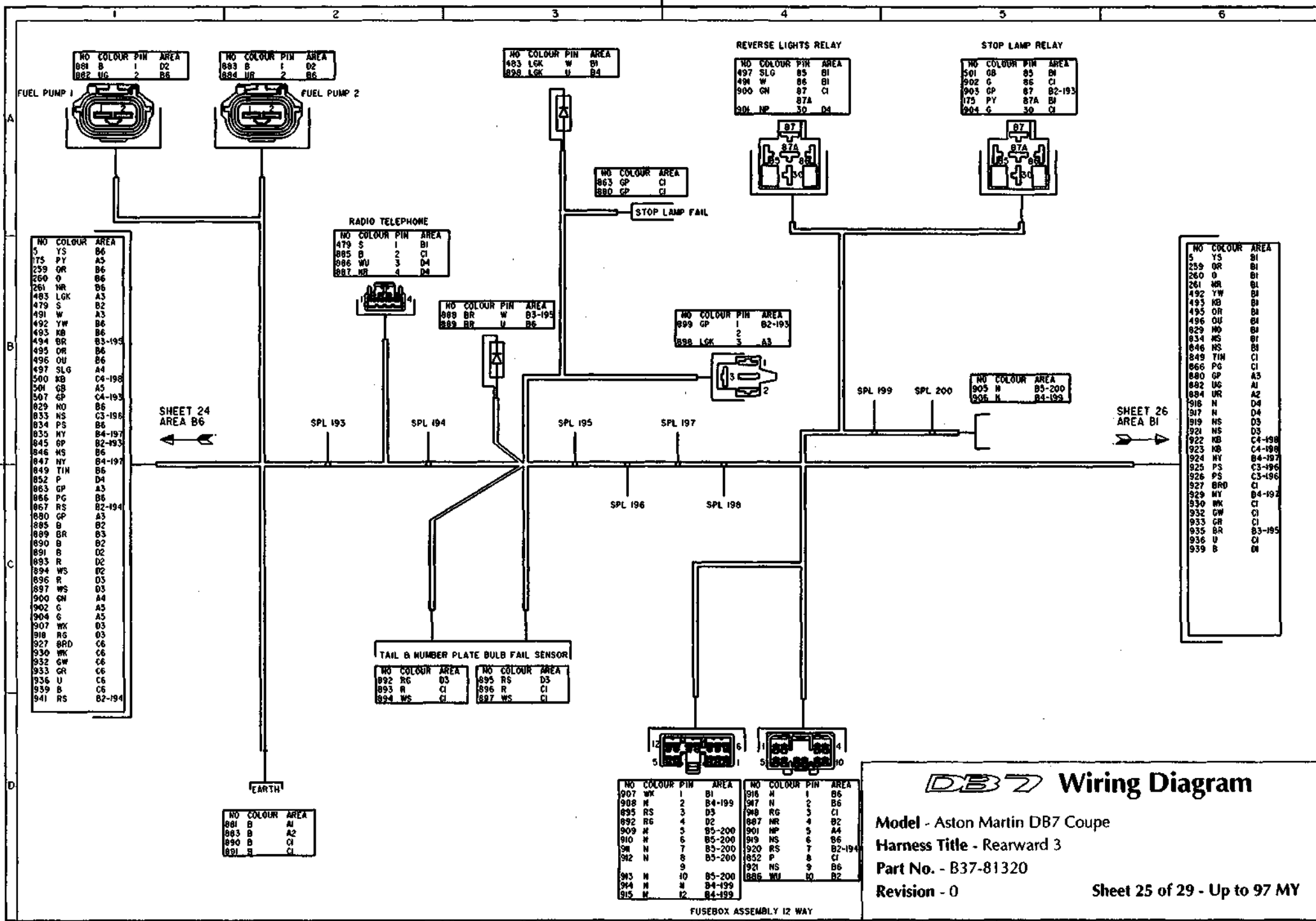
Sheet 23 of 29 - Up to 97 MY

Splice No. Pin No.	Colour Destination		
SPL 180	Black	SPL 188	Black
853	D2	853	D2
857	D4	857	D4
SPL 181	Green/Red	861	D4
487	B1	891	B6
877	B5	869	C5
933	B6	939	B6
SPL 182	Black	SPL 189	Red/Green
840	A2	856	D4
843	A2	862	D4
844	B2	868	C5
SPL 183	Black	918	B6
839	A2	SPL 190	Green/Brown
871	B4	859	D4
878	B5	876	B5
SPL 184	Red/Slate	900	B6
870	B4	SPL 191	Black/Red
879	B5	854	C4
941	B6	865	C5
SPL 185	Blue	874	A5
836	C1	889	B6
848	B2	SPL 192	Green/Purple
936	B6	864	C5
SPL 186	BRD	885	B6
927	B6	890	B6
SPL 187	Green/White		
504	C1		
860	D4		
932	B6		



DB7 Wiring Diagram
 Model - Aston Martin DB7 Coupe
 Harness Title - Rearward 2
 Part No. - B37-81319
 Revision - 0
 Sheet 24 of 29 - Up to 97 MY

Splice No.	Colour	SPL 199	Brown
Pin No.	Destination	906	B5
		908	D3
SPL 193	Green/Purple	914	D3
507	B1	915	D3
845	B1		
899	B4	SPL 200	Brown
903	B5	905	B6
		909	D3
SPL 194	Red/Slate	910	D3
867	C1	911	D3
920	D4	912	D3
941	C1	913	D3
SPL 195	Black/Red		
494	B1		
888	B3		
935	C6		
SPL 196	Purple/Slate		
833	C3		
925	B6		
926	B6		
SPL 197	Brown/Yellow		
835	C1		
847	C1		
924	B6		
929	B6		
SPL 198	Pink/Black		
500	B1		
923	B6		
922	B6		



NO	COLOUR	PIN	AREA
5	YS	B6	
175	PY	A5	
259	OR	B6	
260	O	B6	
261	NR	B6	
483	LK	A3	
479	S	B2	
491	W	A3	
492	YW	B6	
493	KB	B6	
494	BR	B3-195	
495	DR	B6	
496	OU	B6	
497	SLG	A4	
500	KB	C4-198	
501	GB	A5	
507	GP	C4-193	
829	NO	B6	
833	NS	C3-196	
834	PS	B6	
835	NY	B4-197	
845	GP	B2-193	
846	NS	B6	
847	NY	B4-197	
849	TIN	B6	
852	P	D4	
863	GP	A3	
866	PG	B6	
867	RS	B2-194	
880	GP	A3	
885	B	B2	
889	BR	B3	
890	B	B2	
891	B	D2	
893	R	D2	
894	WS	D2	
896	R	D3	
897	WS	D3	
900	GN	A4	
902	G	A5	
904	G	A5	
907	WK	D3	
918	RG	D3	
927	BRD	C6	
930	WK	C6	
932	GW	C6	
933	CR	C6	
936	U	C6	
939	B	C6	
941	RS	B2-194	

SHEET 24
AREA B6

SHEET 26
AREA B1

NO	COLOUR	AREA
881	B	A1
883	B	C2
890	B	C1
891	R	C1

NO	COLOUR	PIN	AREA
479	S	1	B1
885	B	2	C1
886	WD	3	D4
887	NR	4	D4

NO	COLOUR	PIN	AREA
888	BR	W	B3-195
889	BR	U	B6

NO	COLOUR	AREA	NO	COLOUR	AREA
892	RG	D3	895	RS	D3
893	R	C1	896	R	C1
894	WS	C1	897	WS	C1

NO	COLOUR	PIN	AREA
907	WK	1	B1
908	H	2	B4-199
895	RS	3	D3
892	RG	4	D2
909	H	5	B5-200
910	H	6	B5-200
911	N	7	B5-200
912	N	8	B5-200
913	H	9	B5-200
914	H	11	B4-199
915	H	12	B4-199

NO	COLOUR	PIN	AREA
916	H	1	B5
917	N	2	B6
918	RG	3	C1
887	NR	4	B2
901	NP	5	A4
919	NS	6	B6
920	RS	7	B2-194
852	P	8	C1
921	NS	9	B6
886	WM	10	B2

DB7 Wiring Diagram

Model - Aston Martin DB7 Coupe

Harness Title - Rearward 3

Part No. - B37-81320

Revision - 0

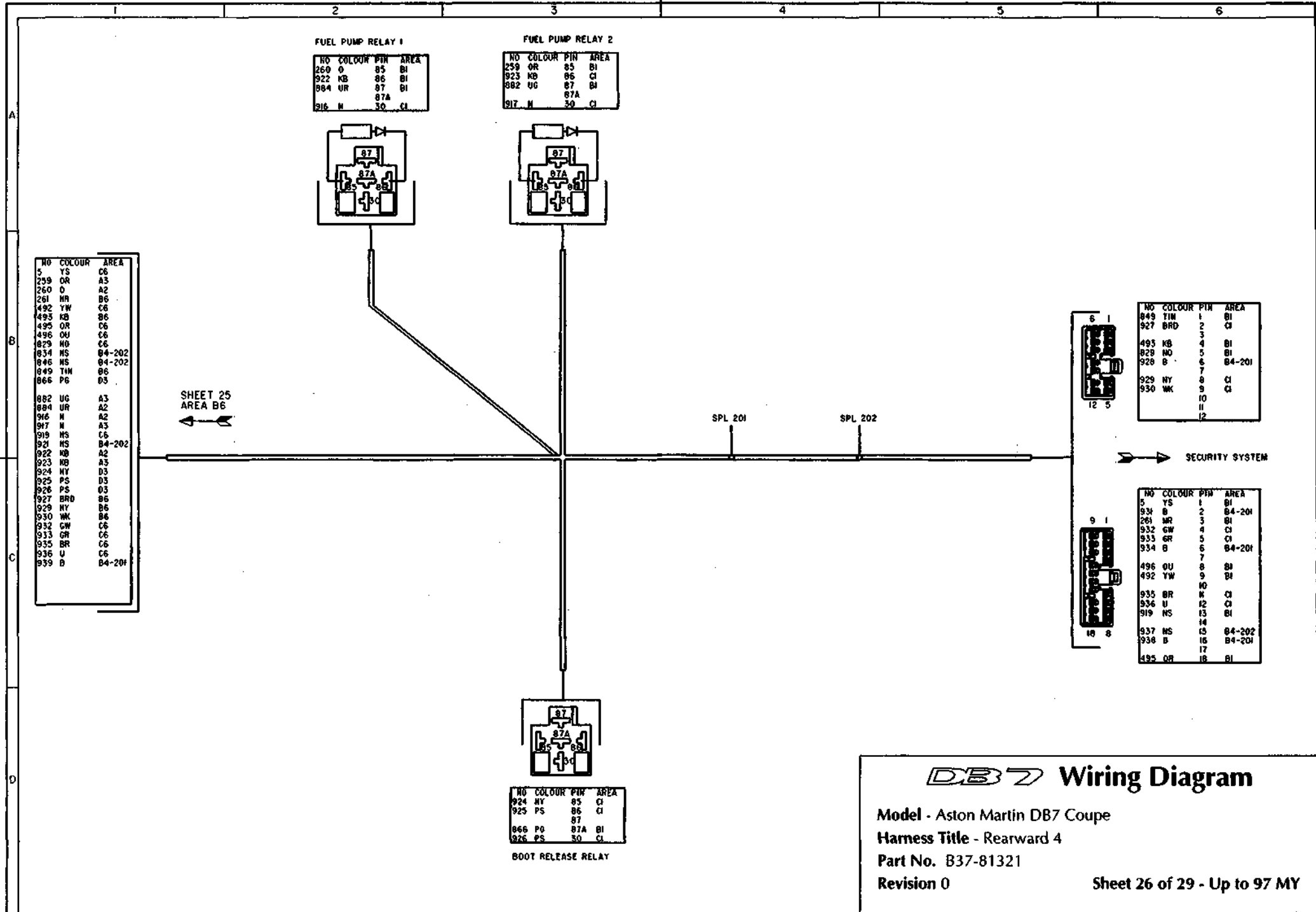
Sheet 25 of 29 - Up to 97 MY

FUSEBOX ASSEMBLY 12 WAY

Splice No. Colour
Pin No. Destination

SPL 201 Black
928 B6
931 C6
934 C6
938 C6
939 C1

SPL 202 Brown/Slate
834 B1
846 B1
921 B1
937 C6



FUEL PUMP RELAY 1

NO	COLOUR	PIN	AREA
260	O	85	BI
922	KB	86	BI
884	UR	87	BI
		87A	
916	N	30	CI

FUEL PUMP RELAY 2

NO	COLOUR	PIN	AREA
259	OR	85	BI
923	KB	86	CI
882	UG	87	BI
		87A	
917	N	30	CI

NO	COLOUR	AREA
5	YS	C6
259	OR	A5
260	O	A2
261	HR	B6
492	YW	C6
493	KB	B6
495	OR	C6
496	OU	C6
829	NO	C6
834	MS	B4-202
846	MS	B4-202
849	TM	B6
866	PG	D3
882	UG	A3
884	UR	A2
916	N	A2
917	N	A3
919	MS	C6
921	MS	B4-202
922	KB	A2
923	KB	A3
924	NY	D3
925	PS	D3
926	PS	O3
927	BRD	B6
929	NY	B6
930	WK	B6
932	GW	C6
933	GR	C6
935	BR	C6
936	U	C6
939	D	B4-201

SHEET 25
AREA B6
←

SPL 201 SPL 202

NO	COLOUR	PIN	AREA
849	TM	1	BI
927	BRD	2	CI
		3	
493	KB	4	BI
829	NO	5	BI
928	B	6	B4-201
		7	
929	NY	8	CI
930	WK	9	CI
		10	
		11	
		12	

NO	COLOUR	PIN	AREA
5	YS	1	BI
931	B	2	B4-201
261	HR	3	BI
932	GW	4	CI
933	GR	5	CI
934	B	6	B4-201
		7	
496	OU	8	BI
492	YW	9	BI
935	BR	10	CI
936	U	12	CI
919	MS	13	BI
		14	
937	MS	15	B4-202
938	B	16	B4-201
		17	
495	OR	18	BI

→ SECURITY SYSTEM

BOOT RELEASE RELAY

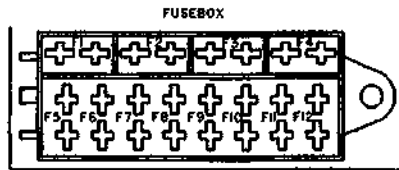
NO	COLOUR	PIN	AREA
924	NY	85	CI
925	PS	86	CI
		87	
866	PG	87A	BI
926	PS	30	CI

DB7 Wiring Diagram
 Model - Aston Martin DB7 Coupe
 Harness Title - Rearward 4
 Part No. B37-81321
 Revision 0
 Sheet 26 of 29 - Up to 97 MY

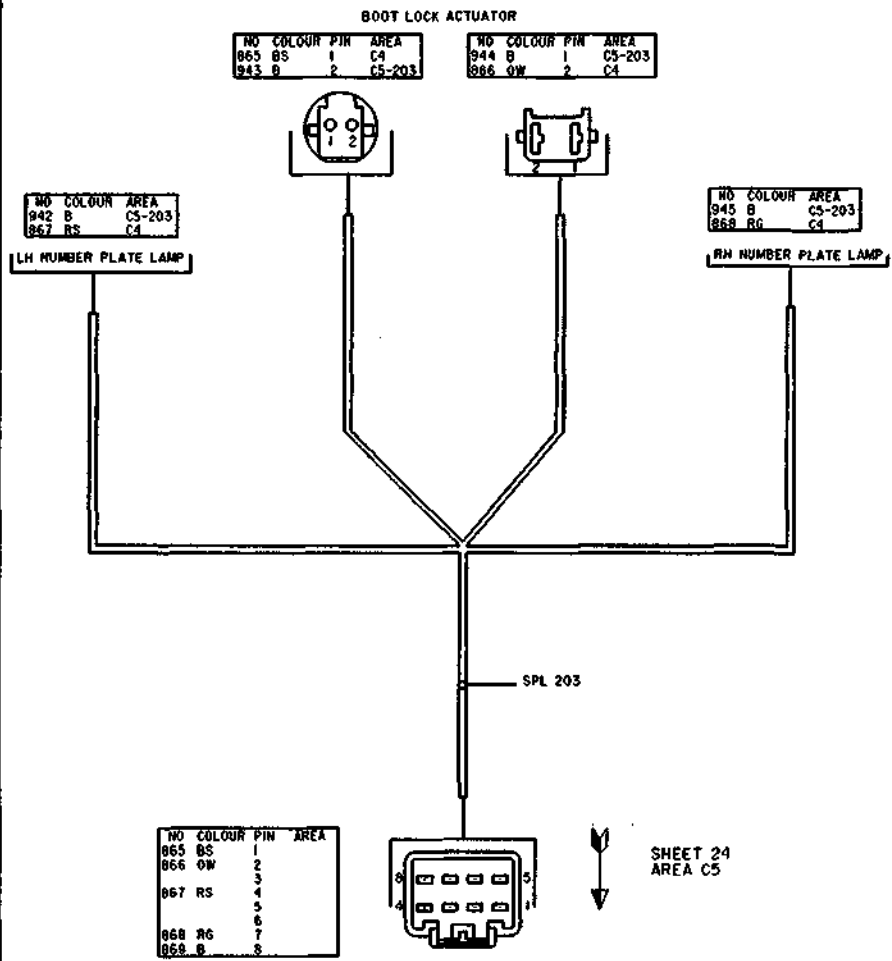
Splice No.	Colour
Pin No.	Destination

SPL 203	Black
869	C5
942	A4
943	A4
944	A4
945	A4

NO	COLOUR	PIN	AREA
907	WK	1	AI
886	WV	2	D2
908	N	3	AI
916	N	4	D2
895	RS	5	AI
920	RS	6	D2
892	RG	7	AI
918	RG	8	D2
909	N	9	AI
917	N	10	D2
910	N	11	AI
887	NR	12	D2



NO	COLOUR	PIN	AREA
911	N	13	AI
901	NP	14	D2
		15	
		16	
		17	
		18	
912	N	19	AI
852	P	20	D2
913	N	21	AI
921	NS	22	D2
919	N	23	D2
914	N	24	AI

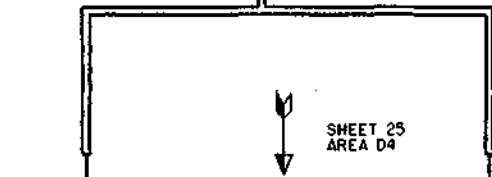


NO	COLOUR	AREA
942	B	C5-203
867	RS	C4

NO	COLOUR	AREA
944	B	C5-203
886	OW	C4

NO	COLOUR	PIN	AREA
865	BS	1	
866	OW	2	
		3	
867	RS	4	
		5	
		6	
868	RG	7	
868	B	8	

SHEET 24
AREA C5



NO	COLOUR	PIN	AREA
907	WK	1	AI
908	N	2	AI
895	RS	3	AI
852	RG	4	AI
909	N	5	AI
910	N	6	AI
911	N	7	AI
		8	
		9	
912	N	10	A3
913	N	11	A3
914	N	12	A3

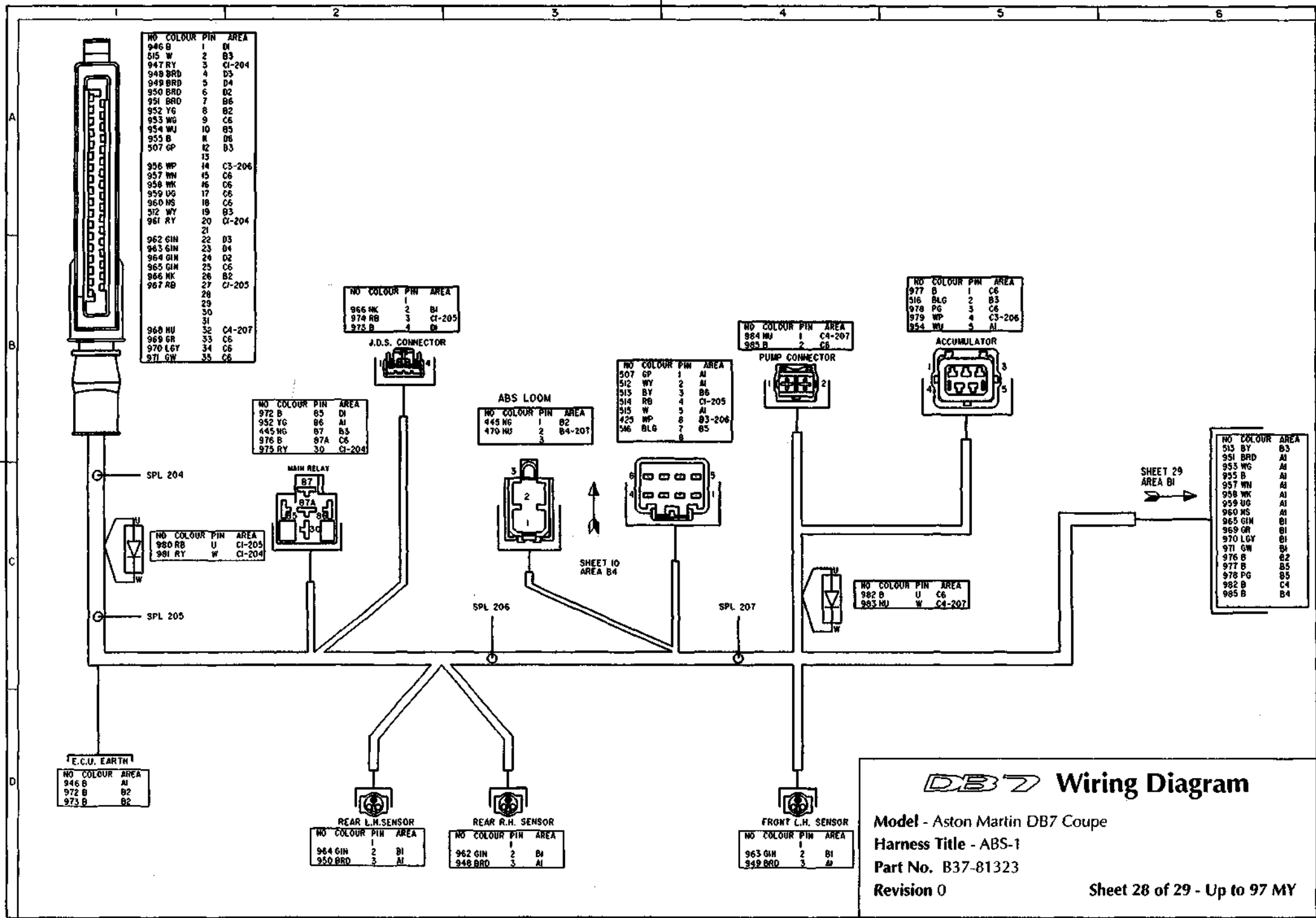


NO	COLOUR	PIN	AREA
916	N	1	AI
917	N	2	AI
918	RG	3	AI
887	NR	4	AI
901	NP	5	A3
919	N	6	A3
920	RS	7	AI
852	P	8	A3
921	NS	9	A3
886	WV	10	AI

DB7 Wiring Diagram

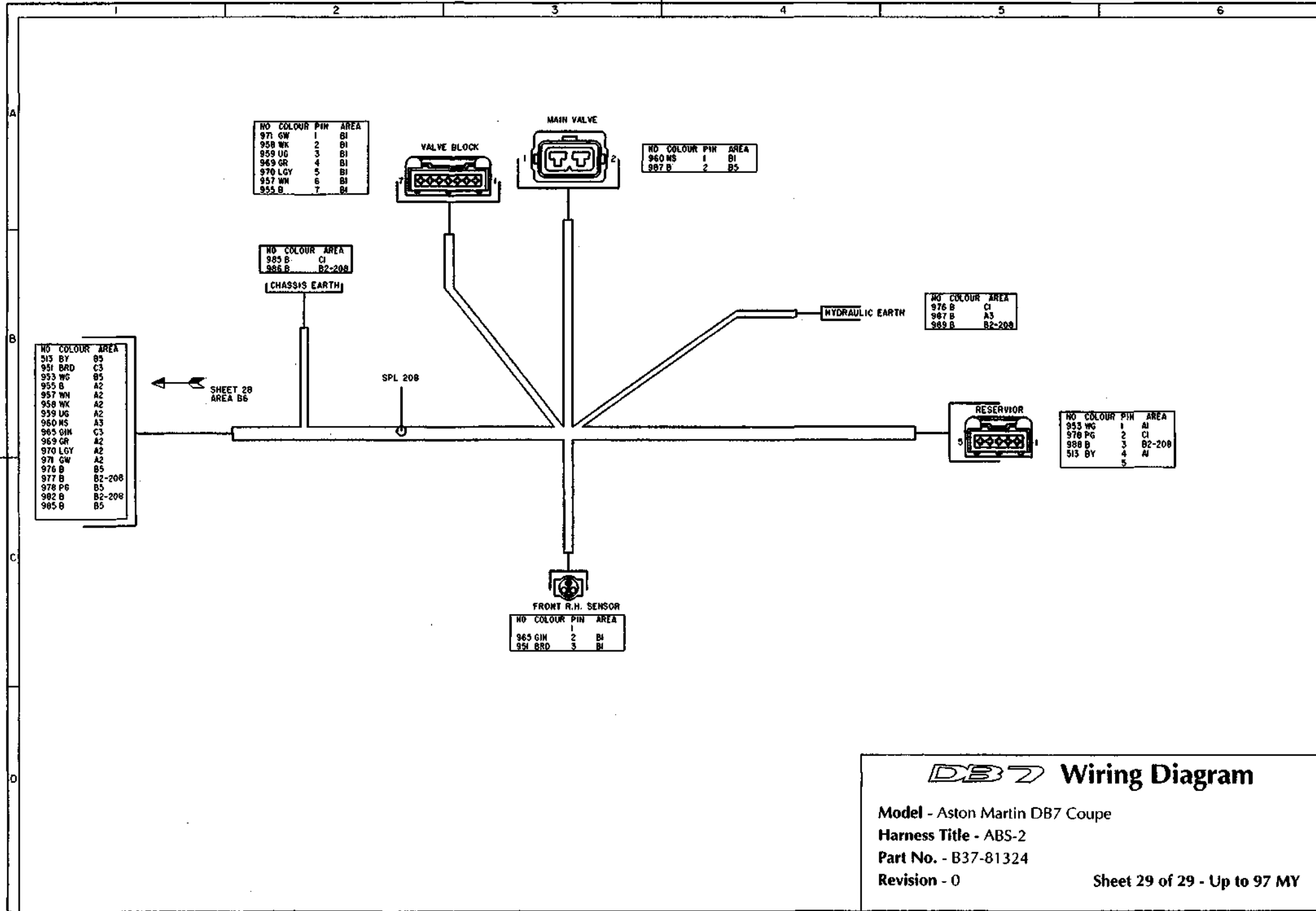
Model - Aston Martin DB7 Coupe
 Harness Title - Fusebox and Boot Lid
 Part No. - B37-81322
 Revision - 0
 Sheet 27 of 29 - Up to 97 MY

Splice No.	Colour
Pin No.	Destination
SPL 204	Red/Yellow
947	A1
961	A1
975	B2
981	C1
SPL 205	Red/Black
514	B3
967	B1
974	B2
980	C1
SPL 205	White/Purple
425	B3
956	A1
979	B5
SPL 207	Brown/Blue
470	B3
968	B1
983	C4
984	B4



Splice No.	Colour
Pin No.	Destination

SPL 208	Black
977	C1
982	C1
986	B2
988	B5
989	B5



NO	COLOUR	PIN	AREA
971	GW	1	BI
958	WK	2	BI
959	UG	3	BI
969	GR	4	BI
970	LCY	5	BI
957	WN	6	BI
955	B	7	BI

NO	COLOUR	PIN	AREA
960	MS	1	BI
987	B	2	B5

NO	COLOUR	AREA
989	B	CI
988	B	B2-208

NO	COLOUR	AREA
976	B	CI
987	B	A3
989	B	B2-208

NO	COLOUR	AREA
913	BY	B5
951	BRD	C3
953	WG	B5
955	B	A2
957	WN	A2
958	WK	A2
959	UG	A2
960	MS	A3
965	GIM	C3
969	GR	A2
970	LCY	A2
971	GW	A2
976	B	B5
977	B	B2-208
978	PG	B5
982	B	B2-208
985	B	B5

NO	COLOUR	PIN	AREA
953	WG	1	AI
978	PG	2	CI
988	B	3	B2-208
913	BY	4	AI
		5	

NO	COLOUR	PIN	AREA
965	GIM	2	BI
951	BRD	3	BI

DB7 Wiring Diagram

Model - Aston Martin DB7 Coupe
 Harness Title - ABS-2
 Part No. - B37-81324
 Revision - 0

Sheet 29 of 29 - Up to 97 MY

Component Name	Component Location (Figure No.-Item No.)	Circuit Reference (Sheet No.-Coordinates)	
ABS ECU	1-5	20-A1	
ABS Wheel Speed Sensor - Front RH	1-3	20-D2	
ABS Wheel Speed Sensor - Front LH	1-3	20-D3	
ABS Wheel Speed Sensor - Rear RH	8-1	20-B6	
ABS Wheel Speed Sensor - Rear LH	8-1	20-C6	
Airbag Crash Sensor RH	2-3	3-D1	
Airbag Crash Sensor LH	2-3	1-C3	
Airbag Diagnostic Monitor	4-2	11-C6	
Airbag (Drivers)	9-6	9-A3	
Airbag (Passengers)	9-1	11-C4	
Airbag Safing Sensor LHD	2-6	12-B4	
Air Conditioning Compressor Clutch	9-4	3-C1	
Air Conditioning Control	9-2	3-D3	
Air Conditioning Trinary Switch	9-5	3-D1	
Air Conditioning Unit	9-2	11-C1	
Air Pump	9-3	1-C2	
Air Temperature Sensor (IAT1)	3-7	5-C1	
Air Temperature Sensor (IAT2)	3-11	5-B3	
Alarm LED Inverter	7-8	14-B6	
Alarm Sounder	2-4	1-B2	
Alternator (Generator)	3-12	5-A6	
Ambient Temperature Sensor	1-1	1-A2	
Barometric Pressure Sensor	8-6	4-A4	
Blower Fan LH	10-10	8-A3	
Blower Fan RH	10-4	12-C3	
Bonnet Switch	2-2	1-C5	
Boot Lamp LH	10-8	15-A4	
Boot Lamp RH	10-6	16-D3	
Boot Lock Actuator	10-7	16-C6	
Brake Fluid Level Sensor	16-3	20-B3	
Camshaft Sensor (CMP)	3-2	5-C1	
Capacitor (Generator)	1-2	5-A5	
Catalyst Overtemperature/Speed Warning Module	4-8	11-C3	Japan Only
CD Autochanger	5-5	10-B3	Rear of Radio
Central Locking Unit	6-10	12-D4	
Cigar Lighter	6-5	13-A3	
Column Switchgear Assembly	10-5	9-A2	
Coolant Low Level Sensor	10-3	3-A3	
Coolant Temperature Sensor (ECT)	3-4	5-B1	
Coolant Temperature Sensor - Temp Gauge	3-3	5-C1	
Courtesy Light	10-9	9-B1	
Crankshaft Position Sensor (CKP)	3-1	5-A2	
Cruise Control Clutch Switch (RHD)	10-2	3-C5	
Cruise Control Disable and Stop Lamp Switch	1-4	9-A3	
Cruise Control On/Off Switch	6-6	13-A5	
Cruise Control Servo Unit	2-8	2-A6	
Cruise Control Set Switch	6-7	13-B5	
Diagnostic Socket - Lower	11-3	10-A6	
Diagnostic Socket - Upper	11-3	10-A5	
Door Closed Microswitch (Drivers)	7-6	21-A2	
Door Closed Microswitch (Passengers)	7-6	22-A2	
Door Lock Motor (Drivers)	11-6	21-B1	
Door Lock Motor (Passengers)	11-9	22-B1	
Door Lock Switch (Drivers)	11-5	21-A2	

Component Name	Component Location	Circuit Reference
Door Lock Switch (Passengers)	11-10	22-A2
Door Mirror - (Drivers)	11-4	21-A3
Door Mirror - (Passengers)	11-11	22-A5
Door Mirror Switch (LHD)	11-12	21-C5
Door Mirror Switch (RHD)	11-12	22-C5
Door Rear Guard Lamp (RH)	11-7	21-D2
Door Rear Guard Lamp (LH)	11-8	22-D2
DPFE Sensor	3-5	5-C4
EDIS Coil Pack	3-9	5-A5
EVR Valve	2-1	5-D2
Exhaust Temperature/Speed Warning	1-6	11-C3
Fan Control Module	2-7	3-D2
Fan Motor 1	11-1	3-B1
Fan Motor 2	11-2	3-C1
Foglamp - RH Front	12-3	1-A1
Foglamp - LH Front	12-2	1-C1
Fuel Filler Flap Solenoid	12-10	15-A2
Fuel Pump 1	12-7	16-A5
Fuel Pump 2	12-9	16-A6
Fuel Tank Pressure Sensor	12-8	15-C3
Fuel Tank Sender Unit	12-6	16-B4
Gear Selector Illumination	12-5	13-C4
Glass Break Sensor	7-8	14-C6
Handbrake Switch	7-5	14-C5
Head/Side Lamp - LH Front	12-1	1-D2
Head/Side Lamp - RH Front	12-4	1-A2
Heated Backlight (Volante)	12-11	15-D3
Heated Backlight (Volante)	12-11	16-A2
Heated Oxygen Sensor 1-1	2-5	6-D4
Heated Oxygen Sensor 1-2	2-5	14-A6
Heated Oxygen Sensor 2-1	8-2	6-D4
Heated Oxygen Sensor 2-2	8-2	14-A6
Heated Washer Jet LH	13-3	5-D3
Heated Washer Jet RH	13-3	5-D4
High Level Stop Lamp	13-7	15-B2
Hood Control Module (Volante Roof)	8-4	18-D4
Hood Motor (Volante Roof)	13-6	19-B6
Horn - LH	1-7	1-A3
Horn - RH	1-7	1-A3
Idle Speed Control Valve (Eng Sub-harness)	3-8	5-C3
Ignition Coil Pack (EDIS)	3-9	5-A5
Ignition Switch	14-5	9-D4
Indicator/Side Lamp - LH Front	14-2	1-C1
Indicator/Side Lamp - RH Front	14-2	1-A1
Inertia Switch	6-9	12-C5
Injector 1	13-2	5-B2
Injector 2	13-2	5-B2
Injector 3	13-2	5-B2
Injector 4	13-2	5-B3
Injector 5	13-2	5-B4
Injector 6	13-2	5-B4
Instrument Pack	13-5	9-A/B5/6
Instrument Panel Illumination Control	7-4	8-C5
Instrument Panel Illumination Dimmer Switch	13-8	9-C4
Interior Light - Rear LH	14-9	15-C3

Component Name	Component Location	Circuit Reference
Interior Light - Rear RH	14-6	16-A2
Key Solenoid	14-4	9-D3
Key-In Warning Switch	14-4	9-D3
Low Coolant Signal Transmitter	7-13	12-B2
Low Level Sensor (Screenwash)	14-3	3-A2
Map Reading Light	10-9	8-A4
Mass Airflow (MAF) Sensor	14-1	5-D2
Multifunction Module	6-1	12-B5
Number Plate Lamp - LH	14-8	16-D6
Number Plate Lamp - RH	14-7	16-C6
Oil Pressure Transducer (EOP)	15-3	5-C4
PATS Module	4-9	12-B1
PATS Transceiver	15-4	9-C2
Performance Mode Switch	6-8	4-A2
Powertrain Control Module (PCM)	4-1	6-B5
Purge Cannister Vent Valve	15-7	15-B3
Radiator Switch	15-2	5-D1
Radio	5-1	10-B3
Radio Aerial	5-4	16-C2
Radio Telephone Connector	8-3	16-B5
Radio Tweeter (LH)	5-2	8-A3
Radio Tweeter (RH)	5-2	12-C2
Rear Lamp - LH	15-8	15-B6
Rear Lamp - RH	15-6	16-D2
Relay - Air Conditioning	(see relay location chart)	3-A4
Relay - Air Conditioning W.O.T.	(" " " ")	3-A5
Relay - Air Pump	(" " " ")	1-A5
Relay - Auxiliary Load	(" " " ")	9-D1
Relay - Auxiliary Load	(" " " ")	12-D1
Relay - Courtesy Lights	(" " " ")	9-D1
Relay - Clutch	(" " " ")	1-B5
Relay - Day Time Running	(" " " ")	1-A6
Relay - Drivers Seat Heater	(" " " ")	23-D3
Relay - Fan Change-Over	(" " " ")	3-C4
Relay - Fan Run On	(" " " ")	3-A3
Relay - Front Fog Lamps	(" " " ")	1-B5
Relay - Fuel Pump 1	(" " " ")	17-A2
Relay - Fuel Pump 2	(" " " ")	17-A4
Relay - Gearbox Failure Warning	(" " " ")	9-D2
Relay - Glass Drop	(" " " ")	12-C1
Relay - Hazard Unit	(" " " ")	8-C3
Relay - Headlamp Dipped Beam	(" " " ")	2-A2
Relay - Headlamps	(" " " ")	2-B2
Relay - Heated Front Screen Control	(" " " ")	12-D3
Relay - Heated Rear Window	(" " " ")	8-C4
Relay - Hood Down (Roof Down)	(" " " ")	19-A2
Relay - Hood Up (Roof Up)	(" " " ")	19-A3
Relay - Horn	(" " " ")	1-B5
Relay - Indicator Unit (Flasher Unit)	(" " " ")	8-C3
Relay - Left Quarter Light Up	(" " " ")	18-A5
Relay - Left Quarter Light Down	(" " " ")	18-A5
Relay - Load	(" " " ")	12-D1
Relay - Main	(" " " ")	12-D2
Relay - Main Beam	(" " " ")	2-B3
Relay - Passenger Seat Heater	(" " " ")	24-D3

Component Name	Component Location	Circuit Reference
Relay - Rear Fog Lamps	(see relay location chart)	8-C4
Relay - Reverse Lamps	(" " " ")	17-A2
Relay - Right Quarter Light Up	(" " " ")	19-A4
Relay - Right Quarter Light Down	(" " " ")	19-A5
Relay - Sidelights	(" " " ")	2-A1
Relay - Starter Solenoid	(" " " ")	2-A3
Relay - Stop Lamps	(" " " ")	17-A1
Relay - Tilt Sensor	(" " " ")	17-A4
Reversing Light Switch	7-7	7-C5
Screen Wash Pump	15-1	3-A2
Seat Belt Stalk	15-9	26-A3
Seat Belt Pretensioner Control Module	4-4	14-A4
Seat Belt Pretensioner Squib	15-5	14-B4
Seat ECU - Driver	4-6	23-A1
Seat ECU - Passenger	4-6	24-A1
Seat Fore/Aft Motor Potentiometer	15-10	26-C2
Seat Heater Cushion Element	7-11	26-A2
Seat Heaters - Driver	7-11	23-A4
Seat Heaters - Passenger	7-11	24-A4
Seat Lumbar Support Pump	16-4	26-D2
Seat Pressure Pad	7-10	26-D3
Seat Recline Motor Potentiometer	15-10	26-B1
Seat Switch Pack - Driver	7-3	23-B1
Seat Switch Pack - Passenger	7-3	24-B1
Security System Aerial	16-10	16-B2
Security System ECU	4-5	17-B6
Side Marker Lamp - LH Front	16-1	1-C2
Side Marker Lamp - RH Front	16-2	1-B2
Side Marker Lamp - LH Rear	16-6	15-C4
Side Marker Lamp - RH Rear	16-8	24-D4
Side Repeater Lamp LH	13-1	2-C5
Side Repeater Lamp RH	13-4	3-D5
Speaker - Drivers Door	5-3	21-C5
Speaker - Passengers Door	5-3	22-C5
Speaker - Rear LH	5-6	15-C1
Speaker - Rear RH	5-6	16-B1
Starter Motor Solenoid	3-10	2-A5
Throttle Potentiometer (Eng Sub-harness)	3-7	5-C3
Tilt Sensor	7-9	14-C4
Transmission Connector	16-5	7-A4
Transmission Control Module (TCM)	4-7	4-B5
Transmission Input Speed Sensor	17-7	7-B2
Transmission Output Speed Sensor	17-7	7-B3
Tyre Compressor Socket	17-5	17-C5
Vapour Management Valve	15-7	16-A3
Vehicle Speed Sensor (VSS)	8-5	15-B3
Window ECU - Drivers Side	6-3	21-C3
Window ECU - Passengers Side	6-3	22-C3
Window Lift - Left Quarter Light (Volante)	17-4	15-A1
Window Lift Thermal Breaker	6-4	12-C1
Window Switch LH	17-1	13-C2
Window Switch RH	17-3	13-A2
Wiper Logic Module	7-2	11-B5
Wiper Motor	17-2	6-A1

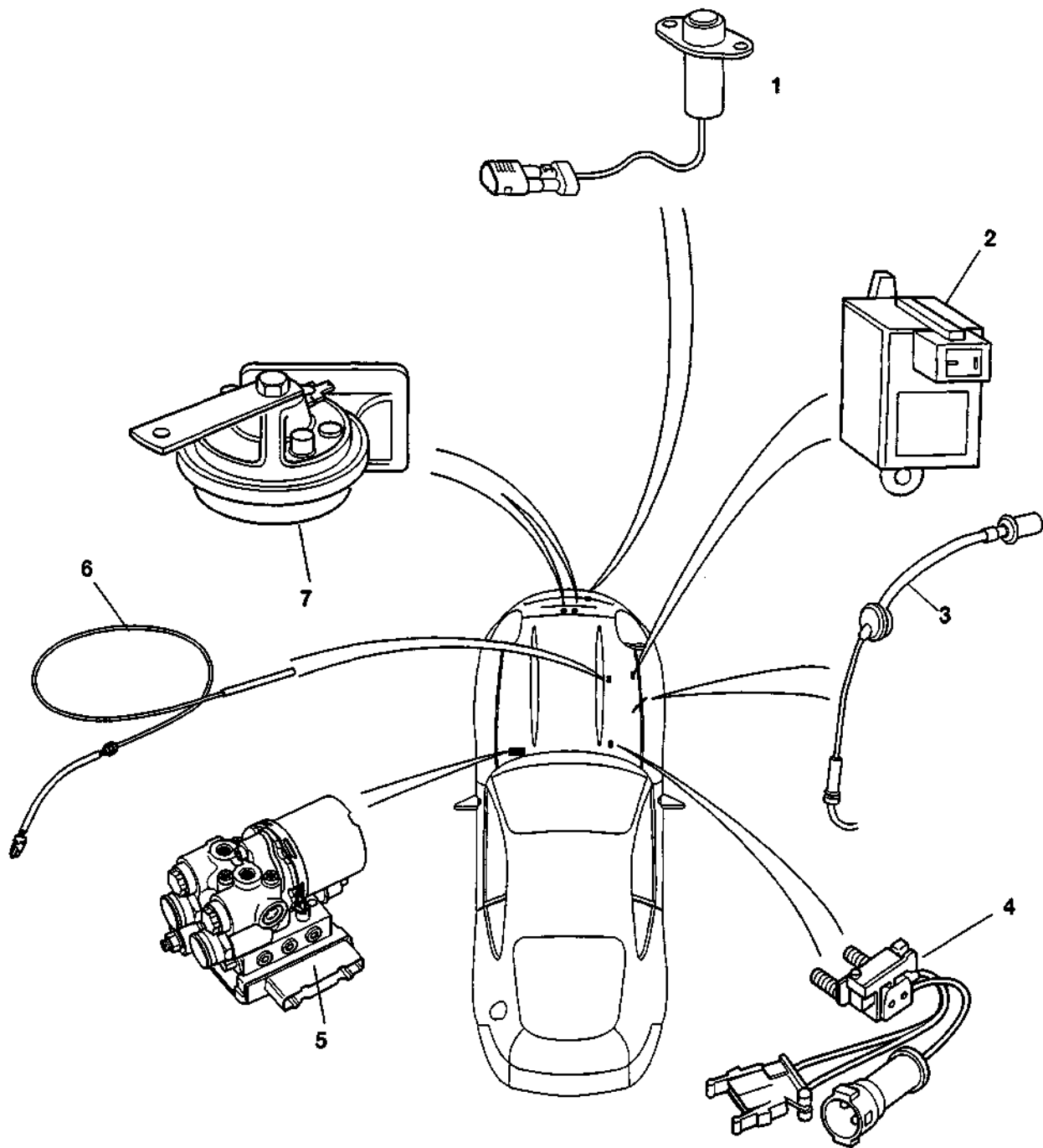


Figure 1

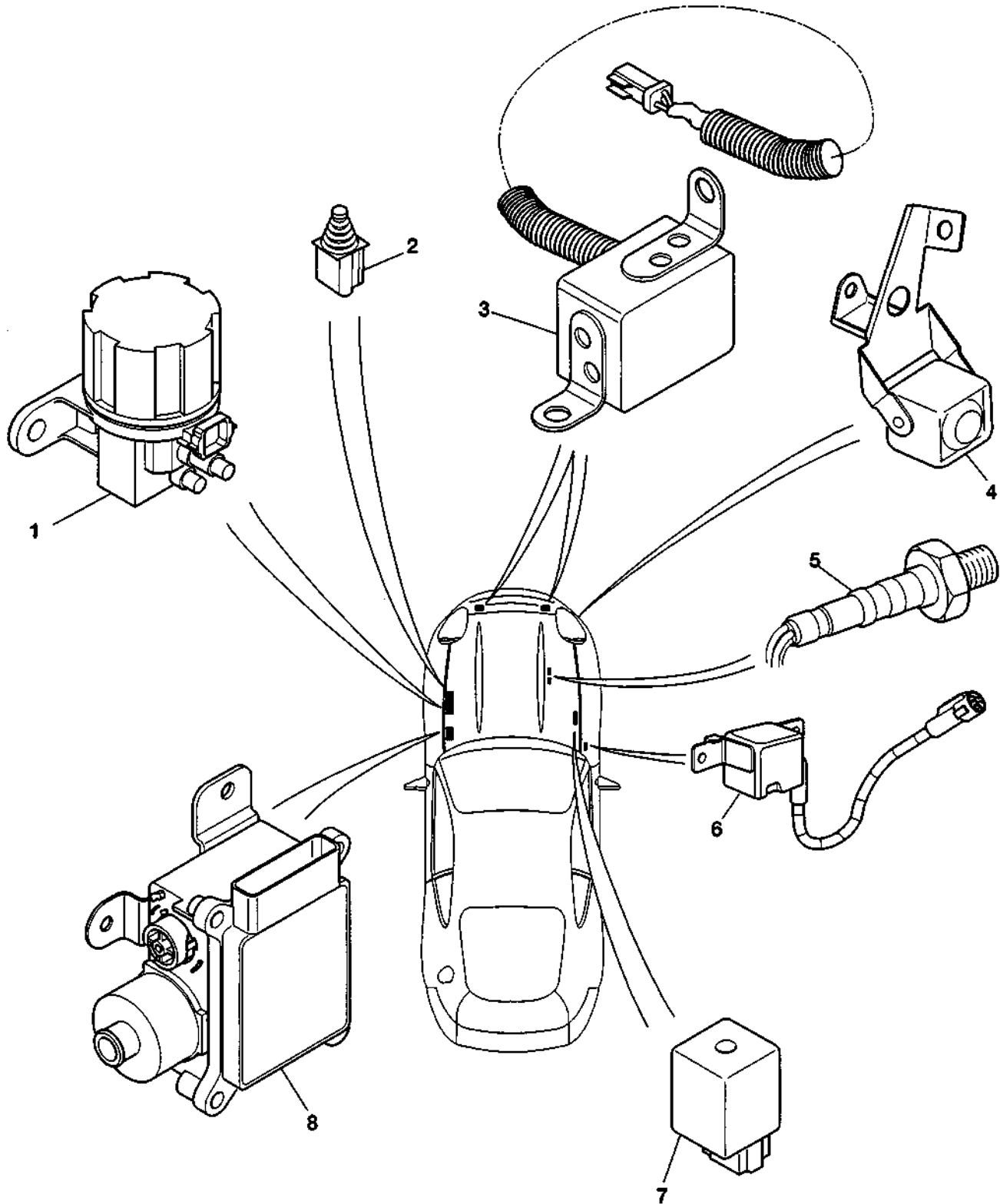


Figure 2

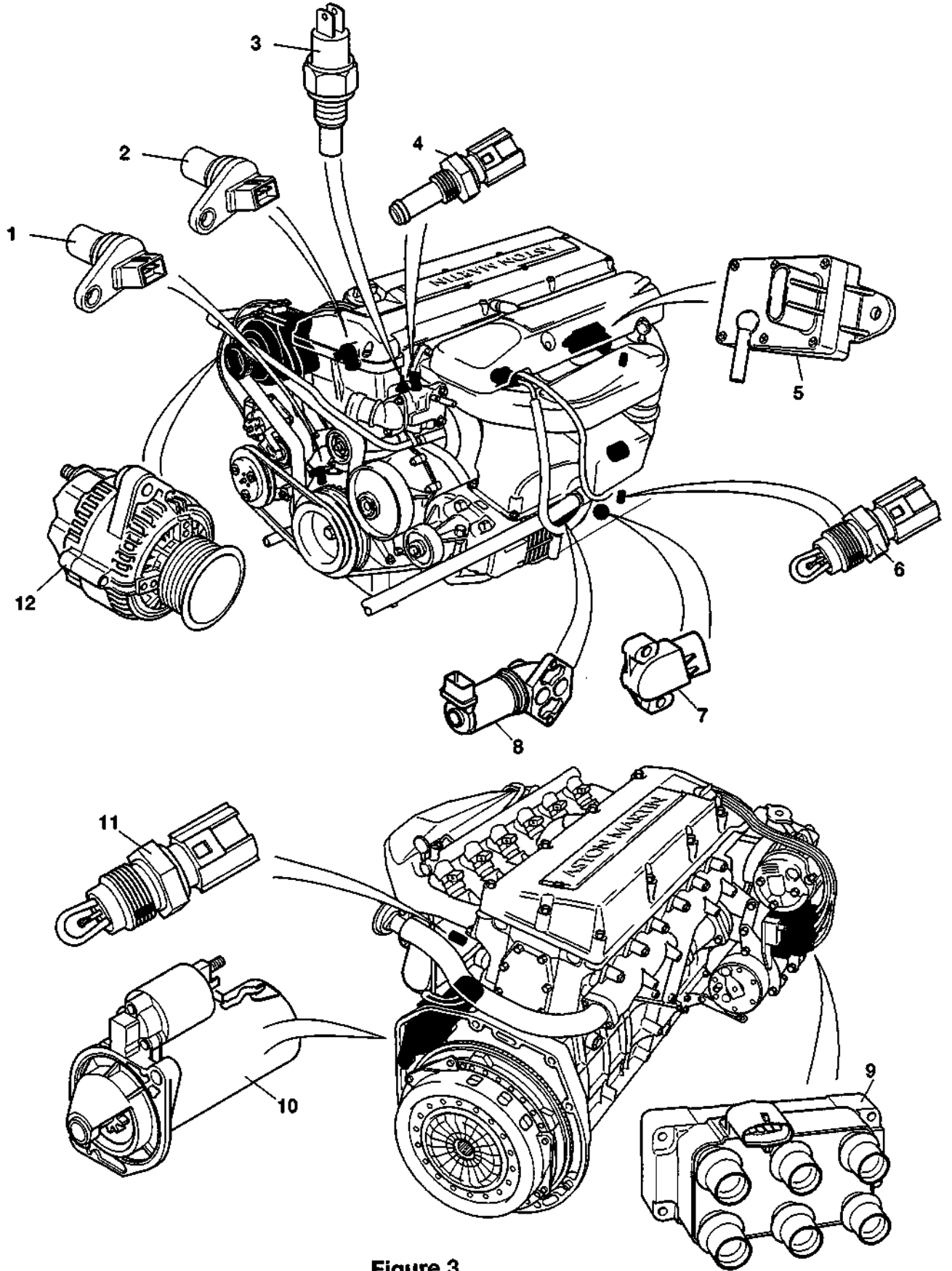


Figure 3

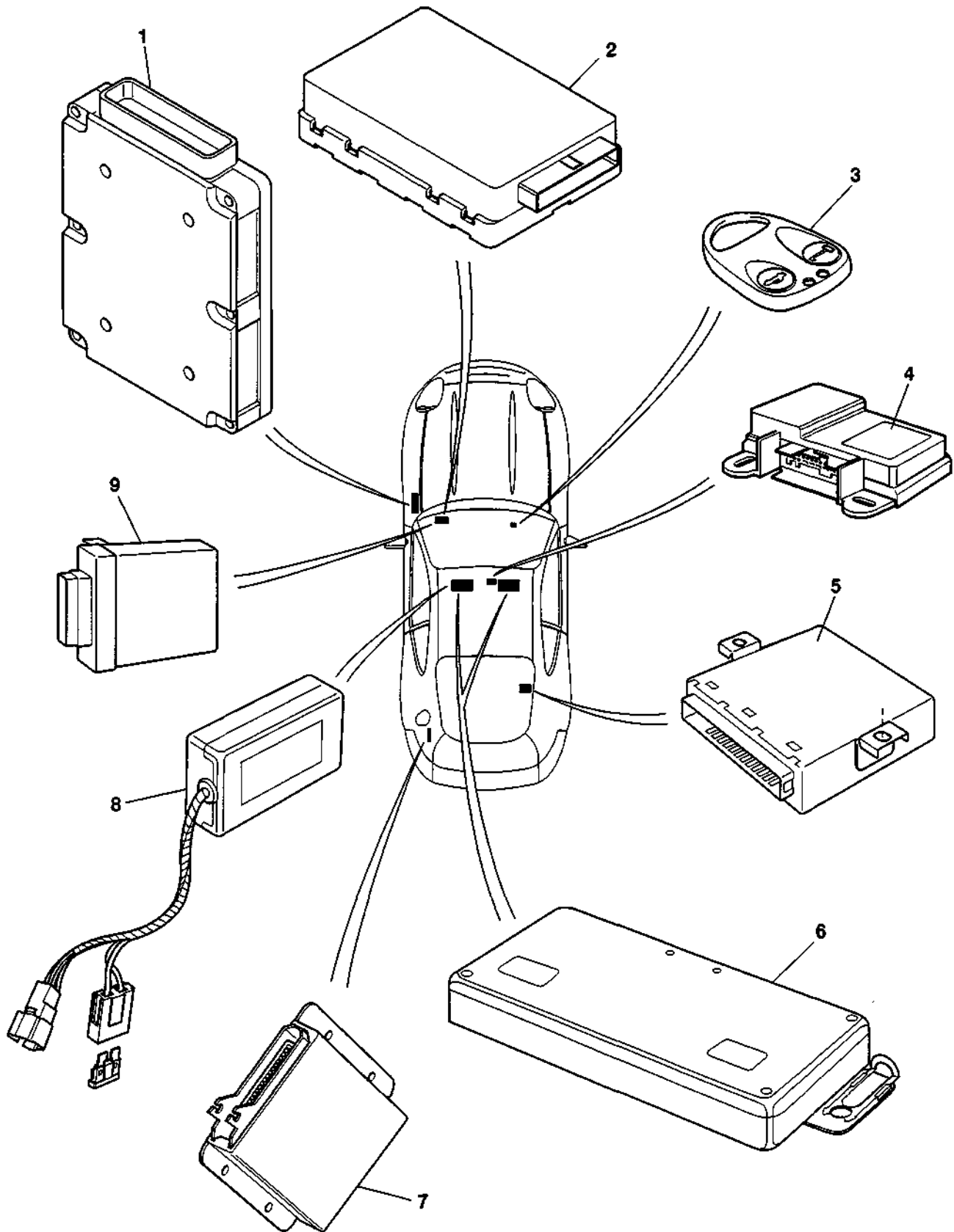


Figure 4

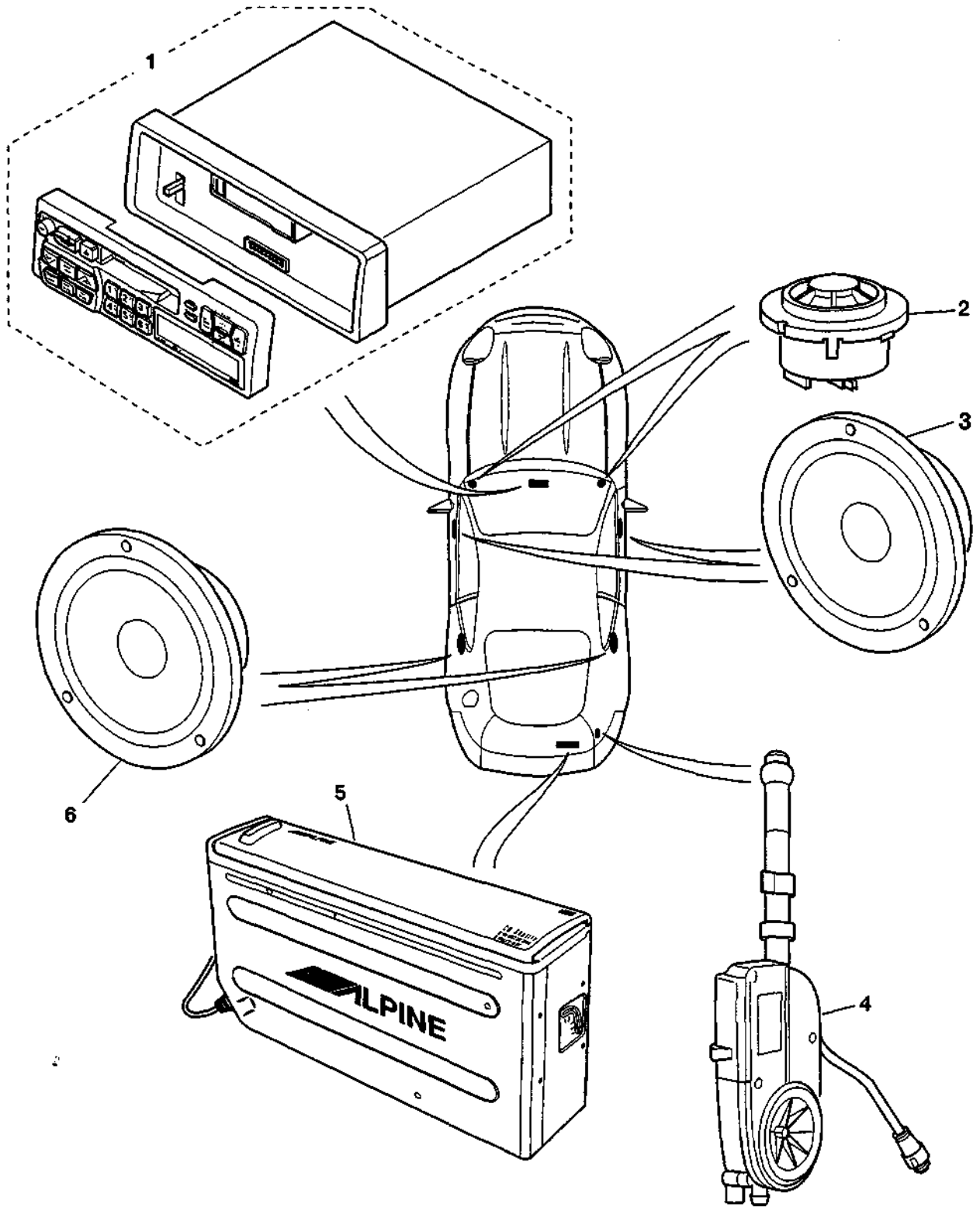


Figure 5

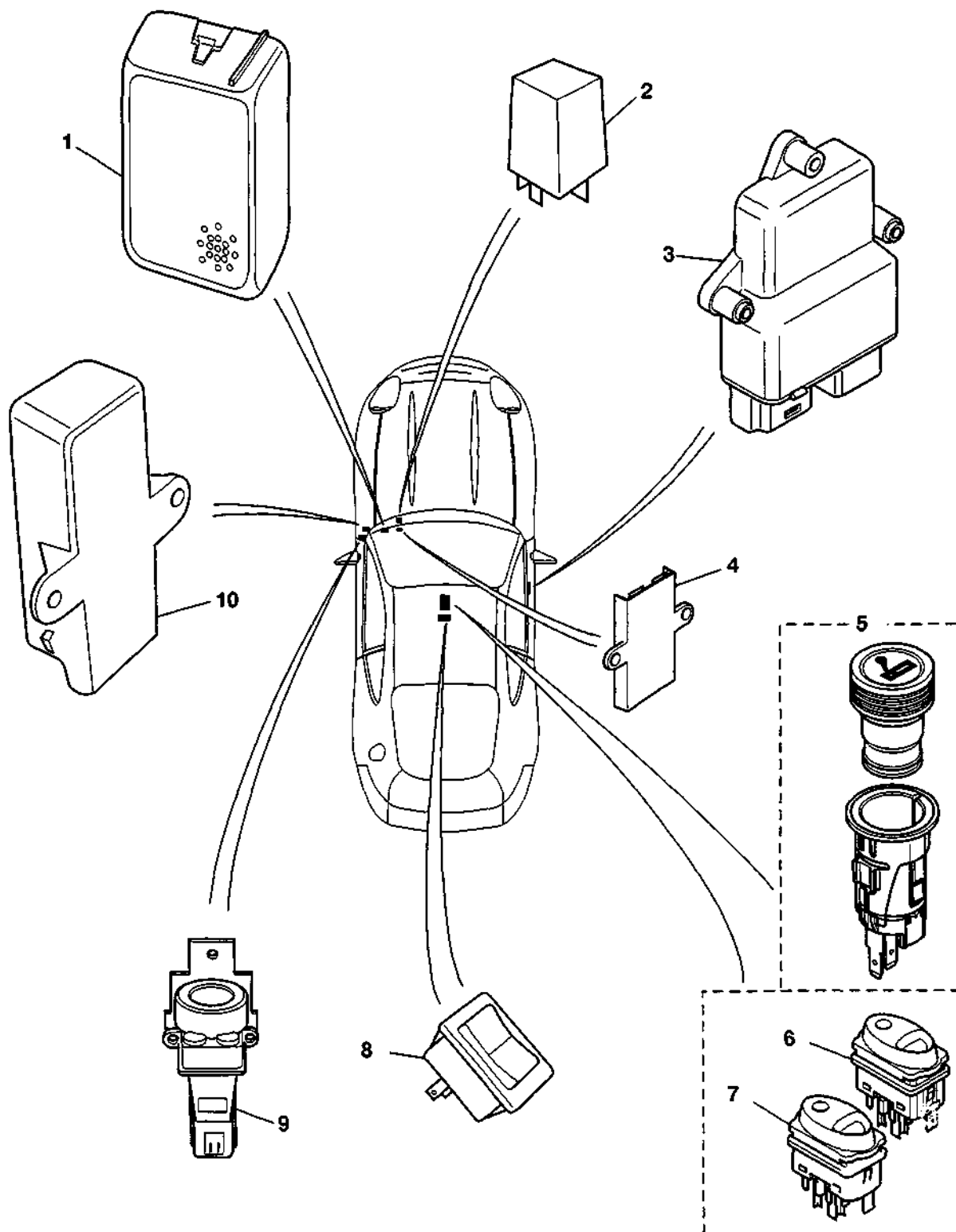


Figure 6

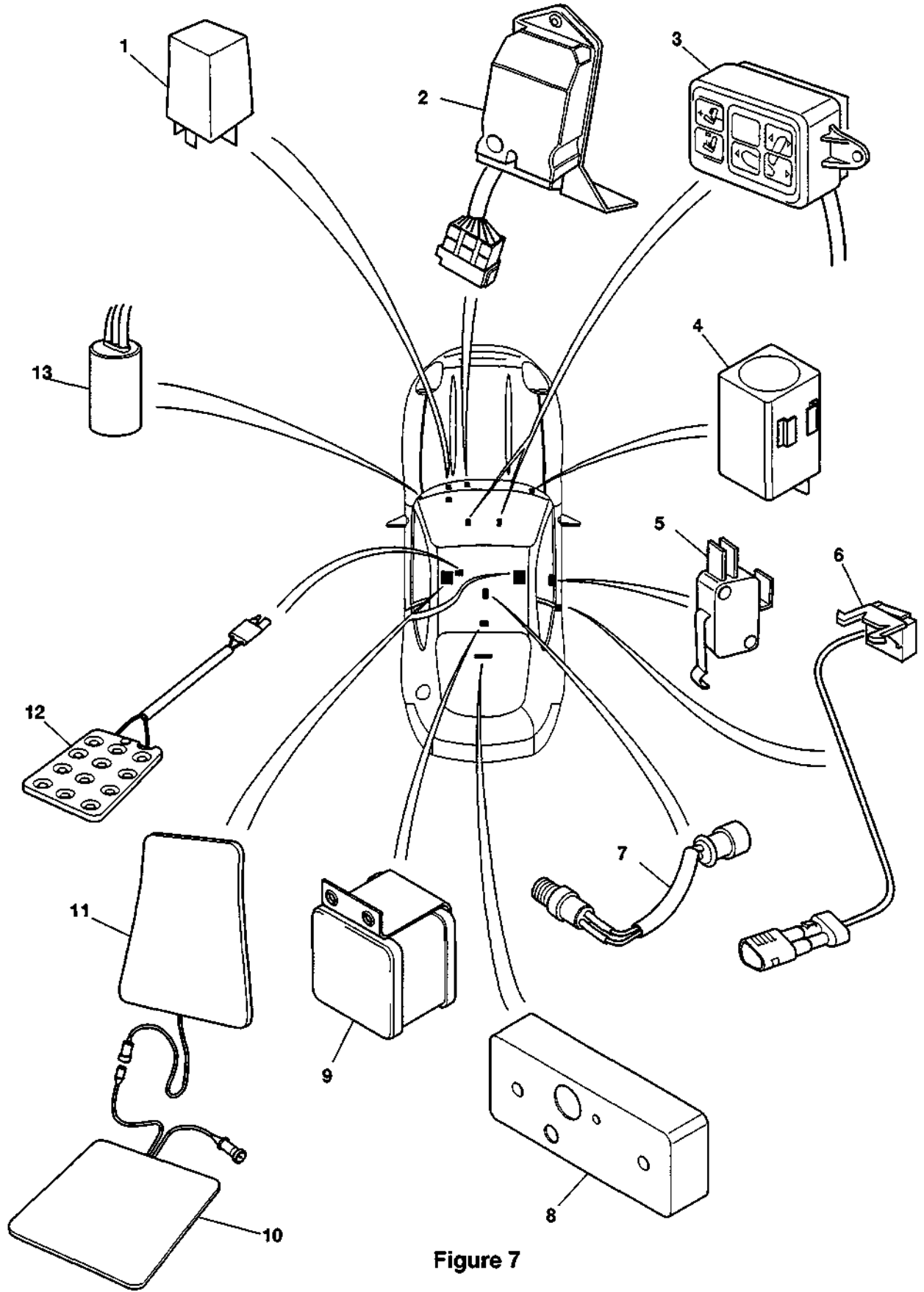


Figure 7

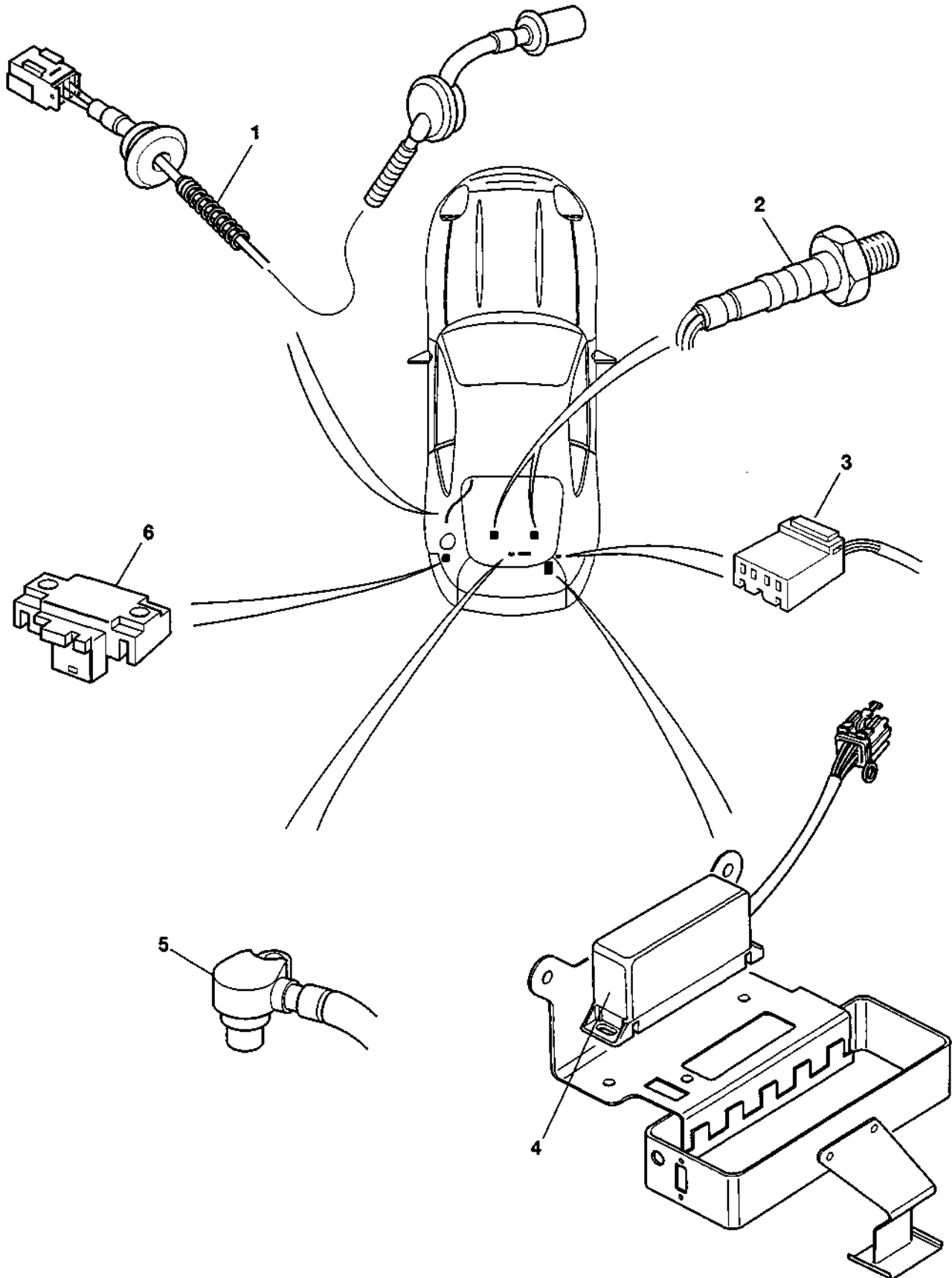


Figure 8

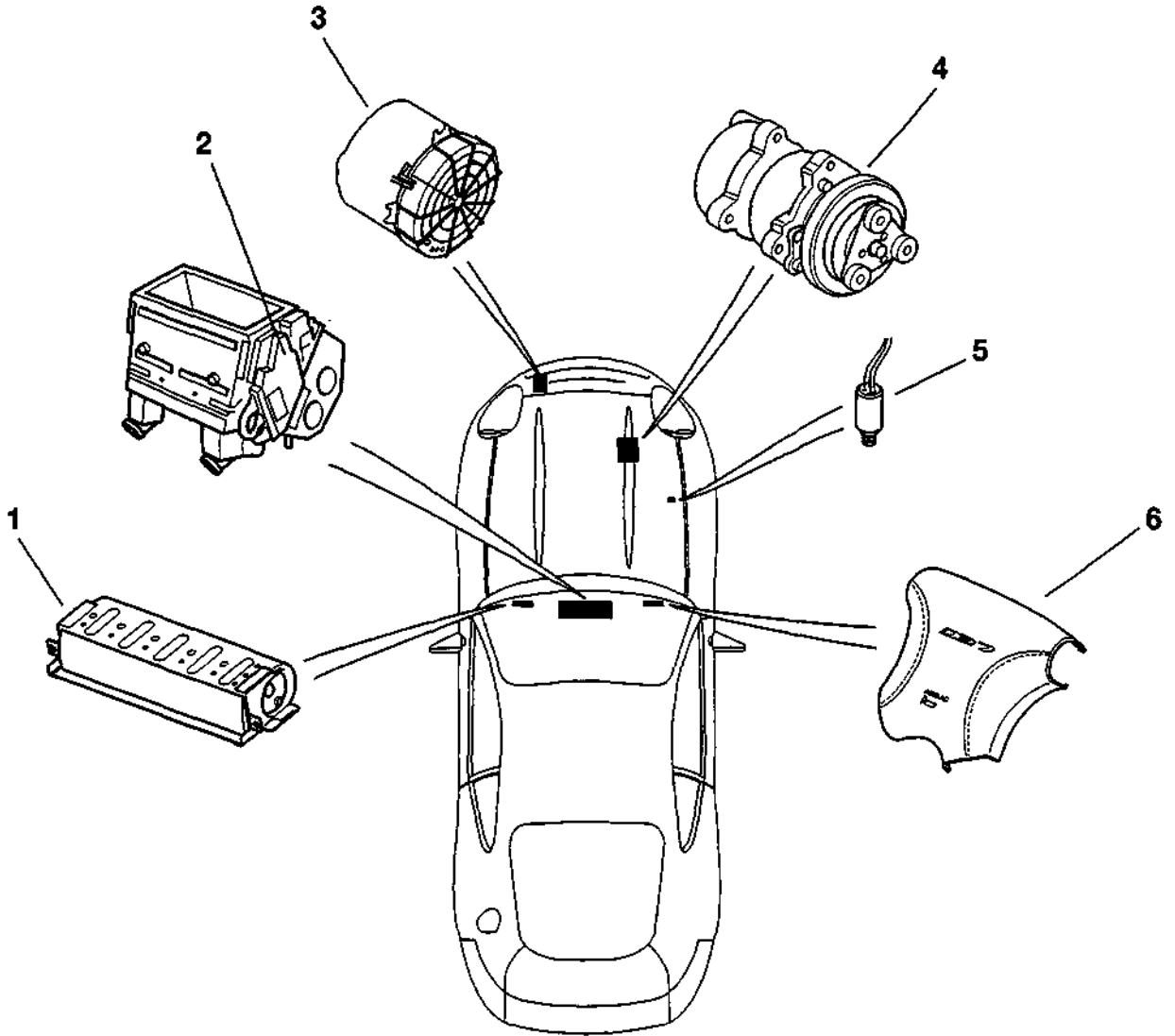


Figure 9

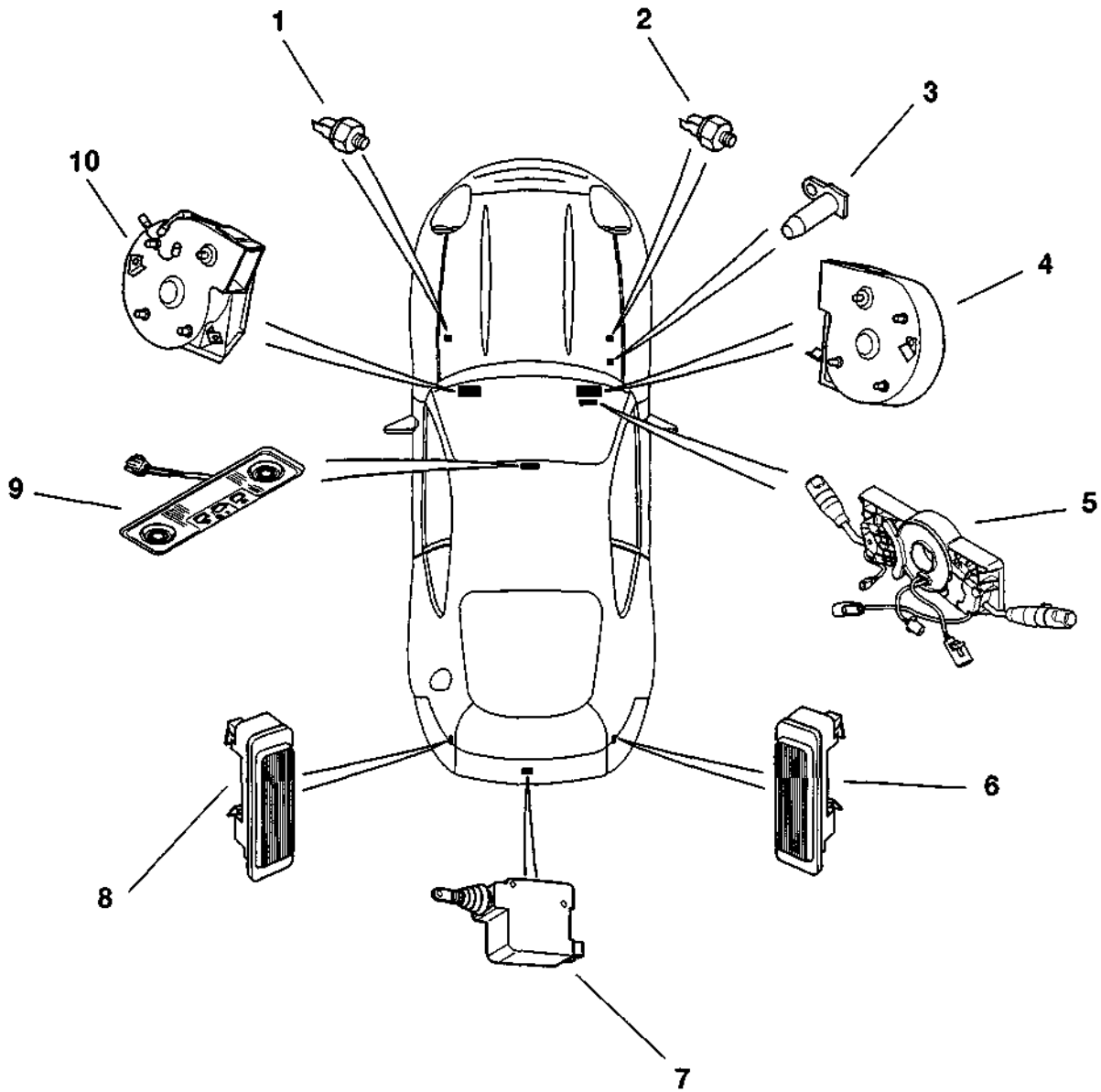


Figure 10

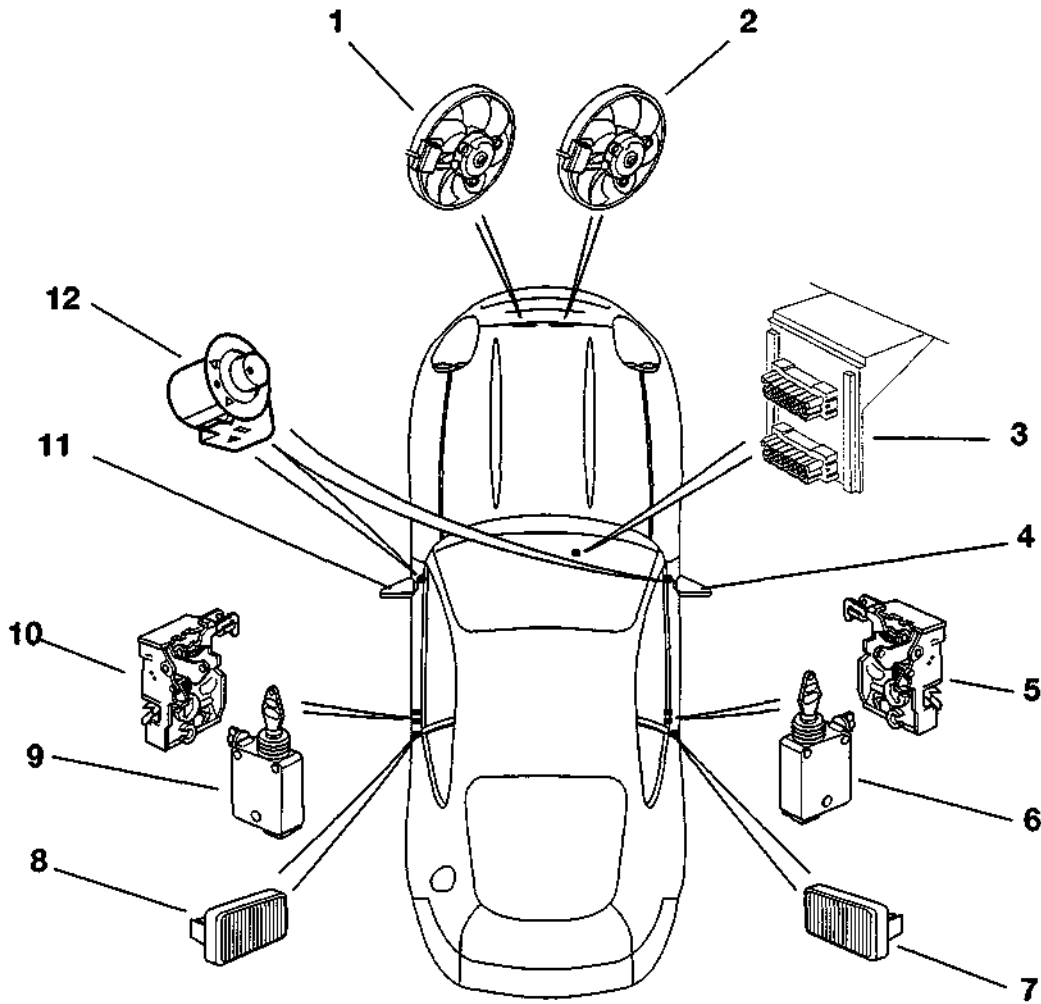


Figure 11

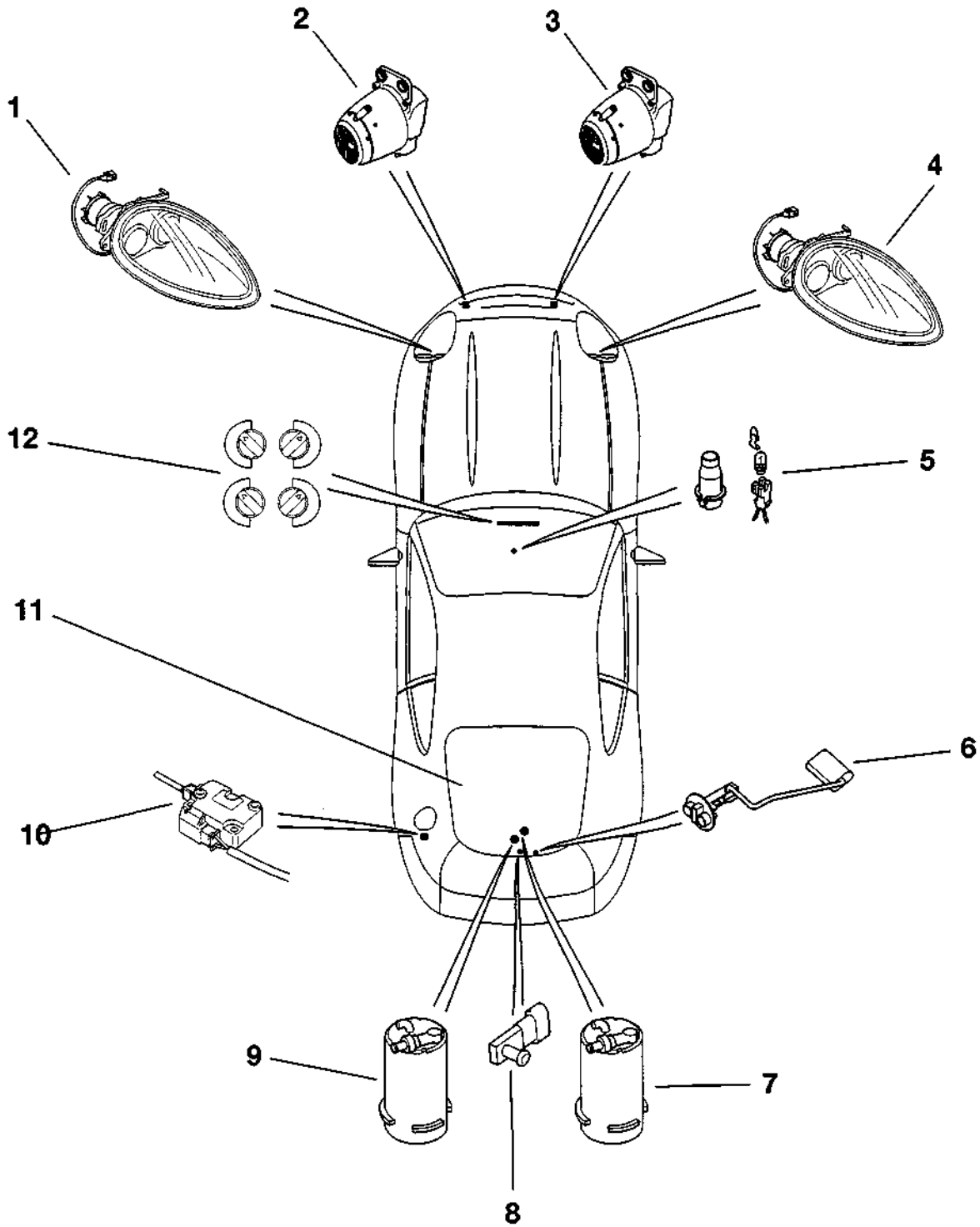


Figure 12

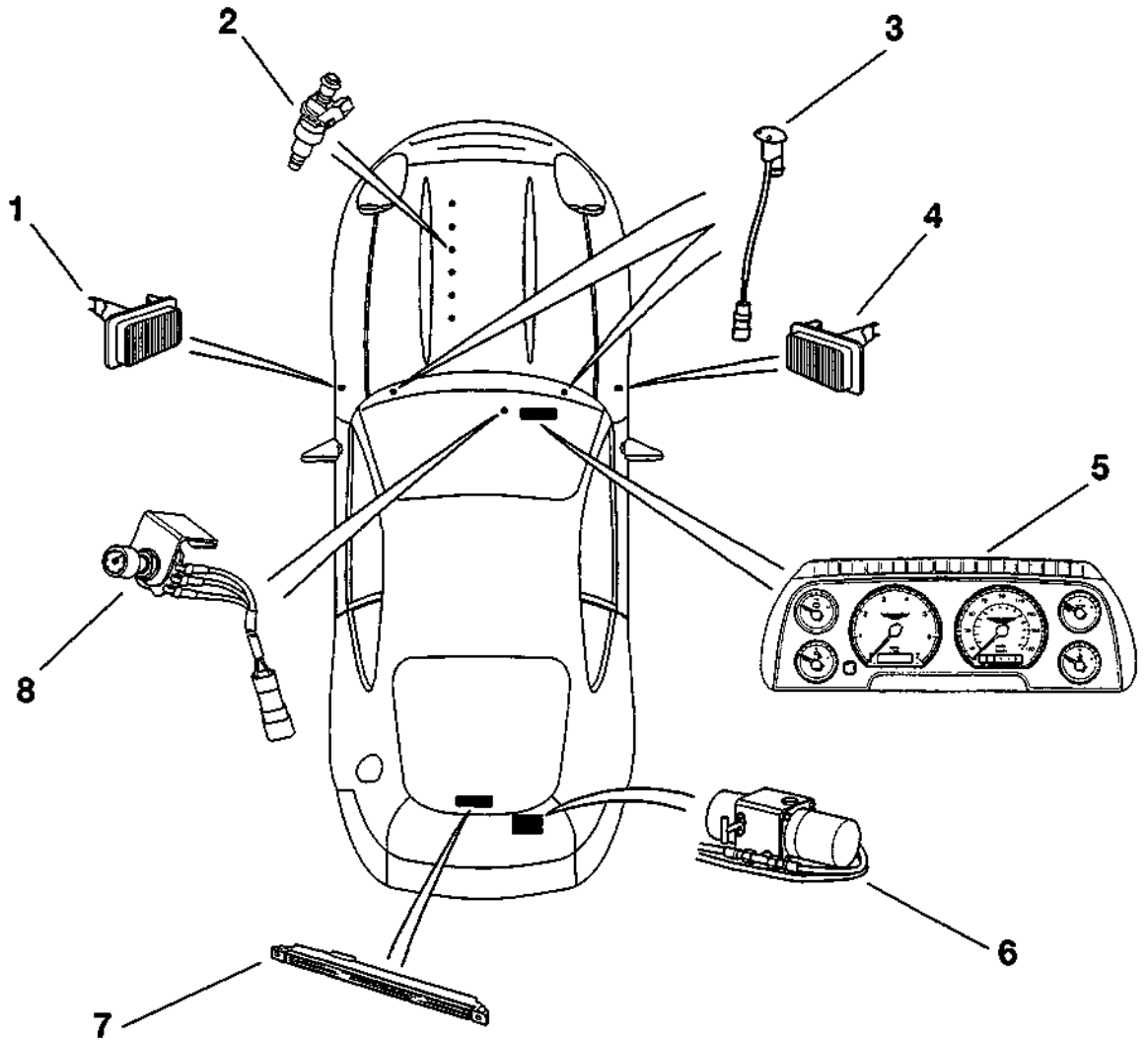


Figure 13

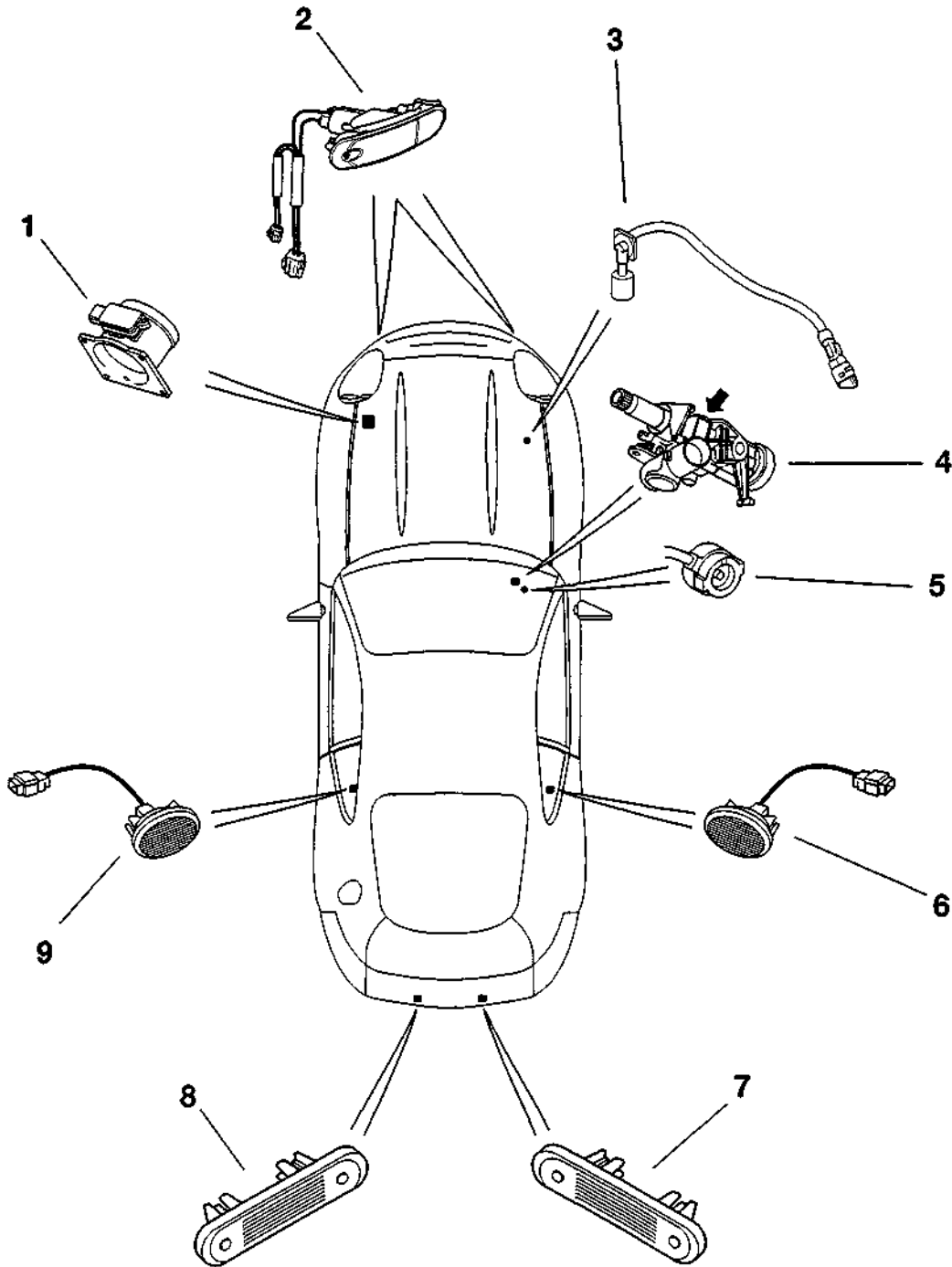


Figure 14

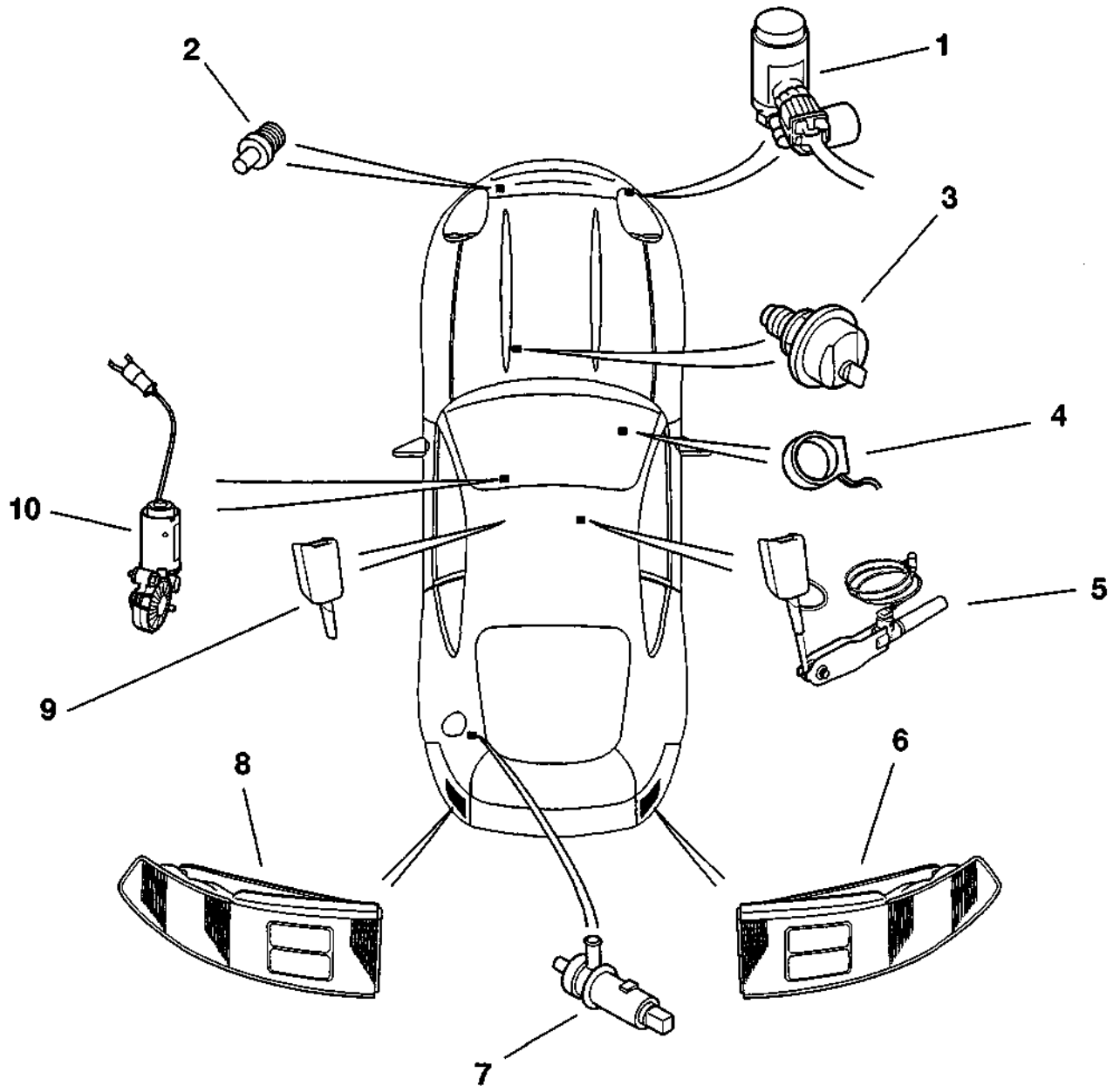


Figure 15

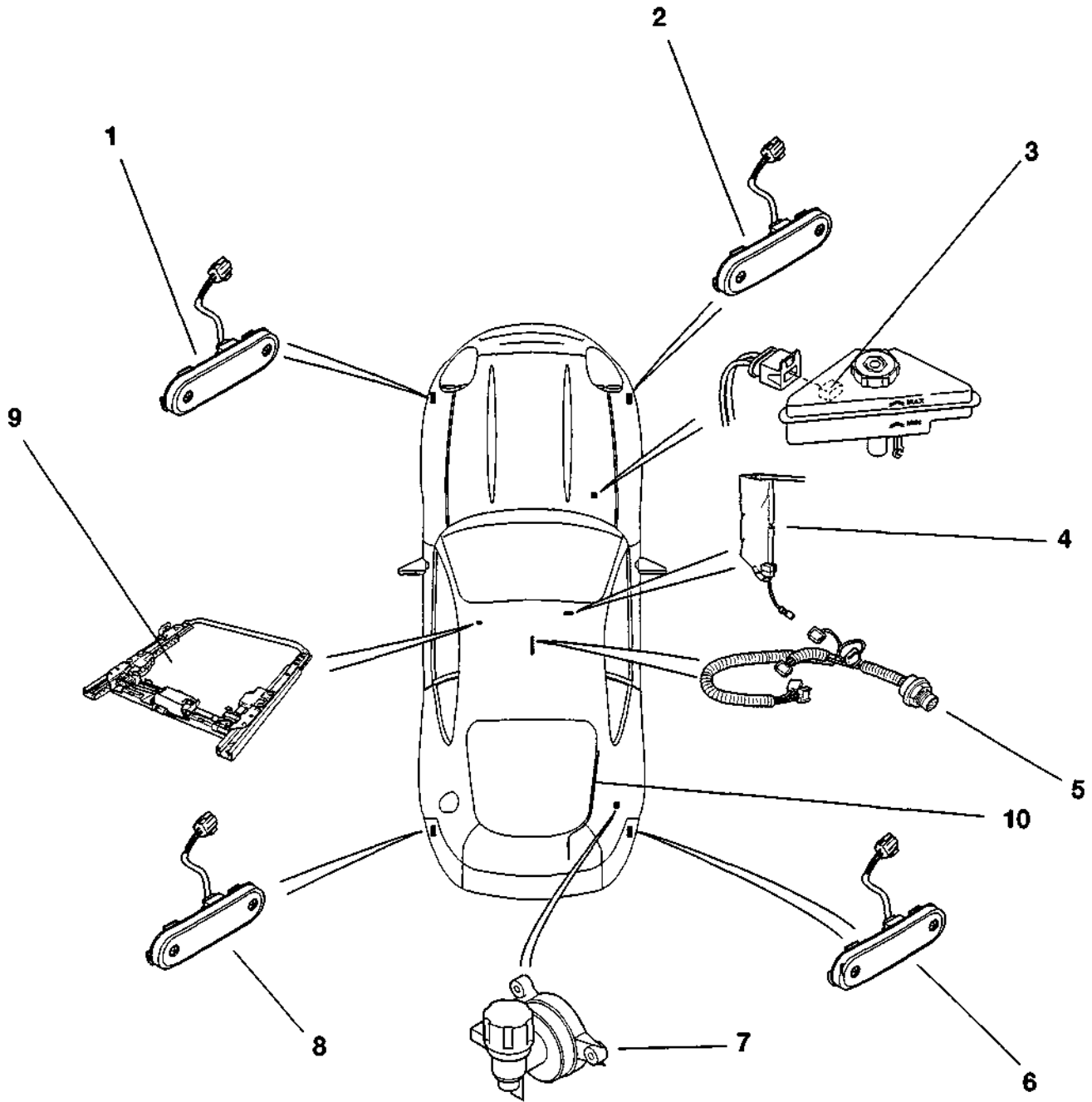


Figure 16

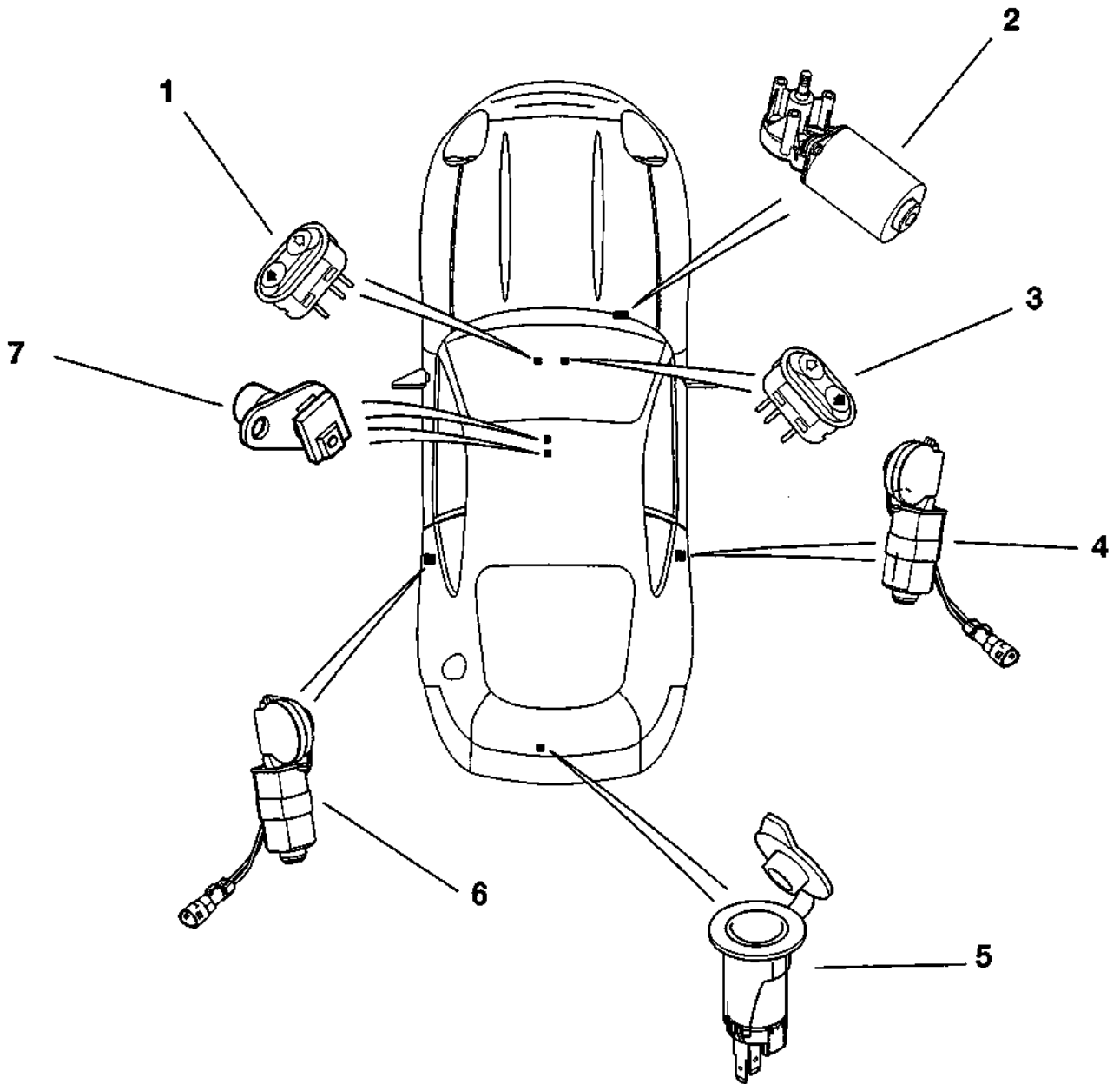


Figure 17

Relay Locations

Left Forward

Engine Bay LH Side (from front to rear)

Function	Base Colour	Relay/Module Cover.	Location
Front Fog Lights	Brown	Blue	1
Cruise Control Clutch Switch(Man)	Purple	Pink	2
Air Pump	Yellow	Blue	3
Horn	Red	Blue	4
Daytime Running Lights	Blue	Blue	5
Side Lights	Green	Pink	6
Headlamps	Blue	Blue	7
Dip Beam	Black	Blue	8
Main Beam	White	Blue	9
Starter	Yellow	Blue	10
Left Forward Fusebox			11

Right Forward

Engine Bay LH Side (from front to rear)

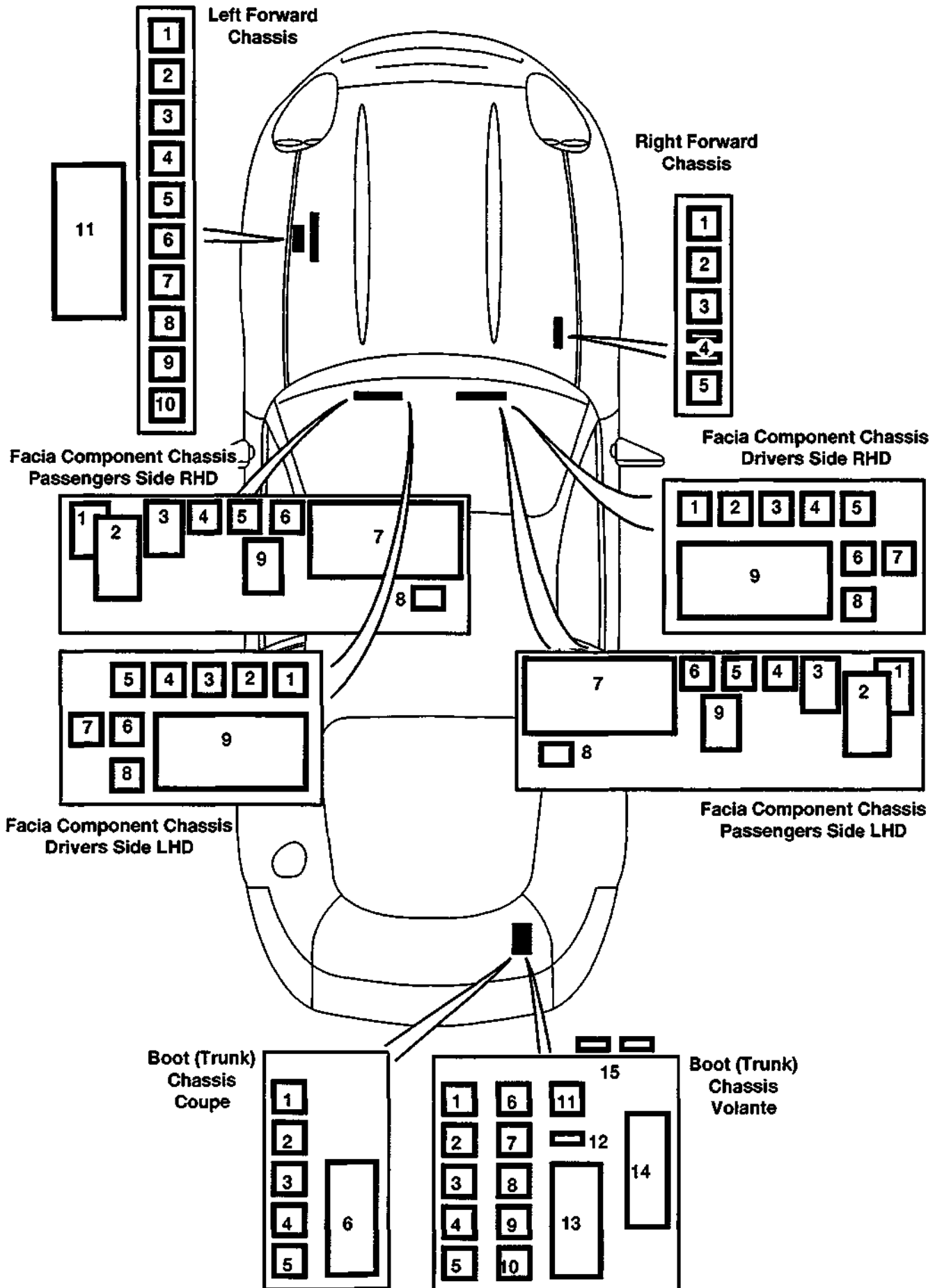
Function	Base Colour	Relay/Module Cover.	Location
Air Con (WOT)	Blue	Pink	1
Fan Run-On	Yellow	Pink	2
Air Con	Green	Blue	3
Cooling Fan Fuses (30A x 2)	Black	Green Maxi Fuse	4
Fan Timer Control Unit	Black	Cream	5

Facia Component Panel - RHD Passenger Side - Left to Right

Function	Base Colour	Relay/Module Cover.	Location
Heated Front Screen Timer Relay	Yellow	Grey	1
Multi-Function Module	Black	Black	2
Low Coolant Transmitter Module	Black	Black	3
Main Relay (Red Stripe)	Red	Silver	4
Auxiliary Load	White	Blue	5
Auxiliary Load	Black	Blue	6
Fusebox			7
Heated Front Screen Fuse 40A	Black	Orange Maxi Fuse	8
Door drop glass thermal cut-out	White	Black	9

Fascia Component Panel - RHD Drivers Side - Left to Right

Function	Base Colour	Relay/Module Cover.	Location
Gearbox Failure Warning	Black	Pink	1
Ignition Load	White	Blue	2
Courtesy Lights	Red	Blue	3
Indicator/Flasher Unit	Yellow	Black	4
Hazard Warning	Blue	Black	5
Heated Rear Window	Blue	Blue	6
Rear Fog Light	Brown	Blue	7
Dimmer Module	Black	Red	8
Fusebox		Black	9



Facia Component Panel - LHD Passenger Side - Right to Left

Function	Base Colour	Relay/Module Cover.	Location
Heated Front Screen Timer Relay	Yellow	Grey	1
Multi-Function Module	Black	Black	2
Low Coolant Transmitter Module	Black	Black	3
Main Relay (Red Stripe)	Red	Silver	4
Auxiliary Load	White	Blue	5
Auxiliary Load	Black	Blue	6
Fusebox			7
Heated Front Screen Fuse	Black	Orange Fuse	8
Otter Switch (door drop glass)	White	Black	9

Fascia Component Panel - LHD Drivers Side - Right to Left

Function	Base Colour	Relay/Module Cover.	Location
Gearbox Failure Warning	Black	Pink	1
Ignition Load	White	Blue	2
Courtesy Lights	Red	Blue	3
Indicator/Flasher Unit	Yellow	Black	4
Hazard Warning	Green	Black	5
Heated Rear Window	Blue	Blue	6
Rear Fog Light	Brown	Blue	7
Dimmer Module	Black	Red	8
Fusebox			9

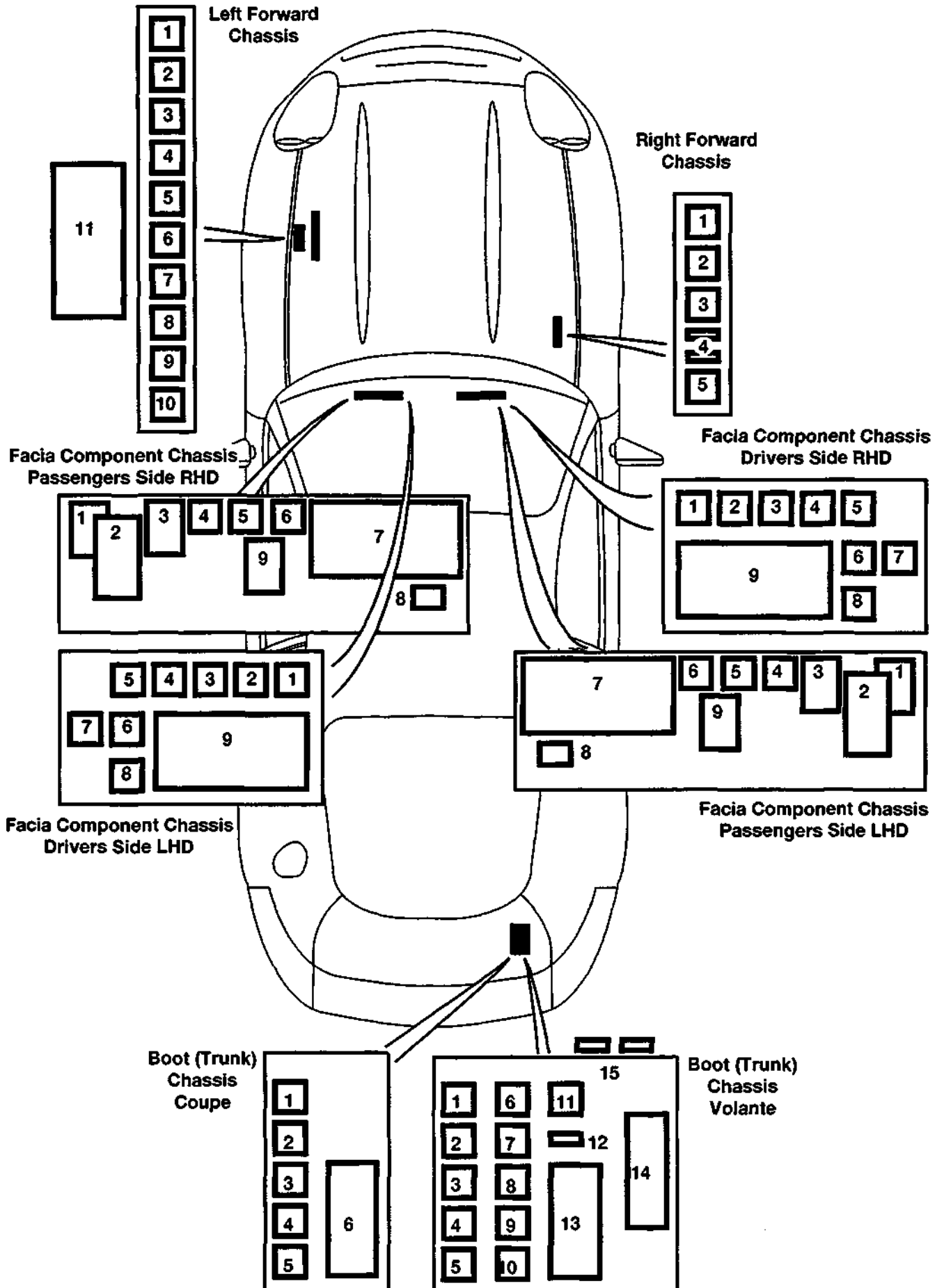
Seat Heater Relays - Beneath the Driver and Passenger Seats

Boot (Trunk) Relays Volante (Front To Rear)

Function	Base Colour	Relay/Module Cover.	Location
LH Quarter Up	White	Pink	1
LH Quarter Down	Yellow	Pink	2
Hood Down	Blue	Pink	3
Hood Up	Green	Pink	4
RH Quarter Down	Red	Pink	5
Reverse Lights	Yellow	Blue	6
Fuel Pump 1	Blue	Silver (Bosch)	7
Fuel Pump 2	Green	Silver (Bosch)	8
Tilt Sensor	White	Pink	9
RH Quarter Up	Black	Pink	10
Stop Lights	Brown	Blue	11
Hood Lift Fuse	Black	Green 30A	12
Fusebox			13
Hood (Roof) Control Module			14
Thermal Cut-Outs Quarter Glasses		Black	15

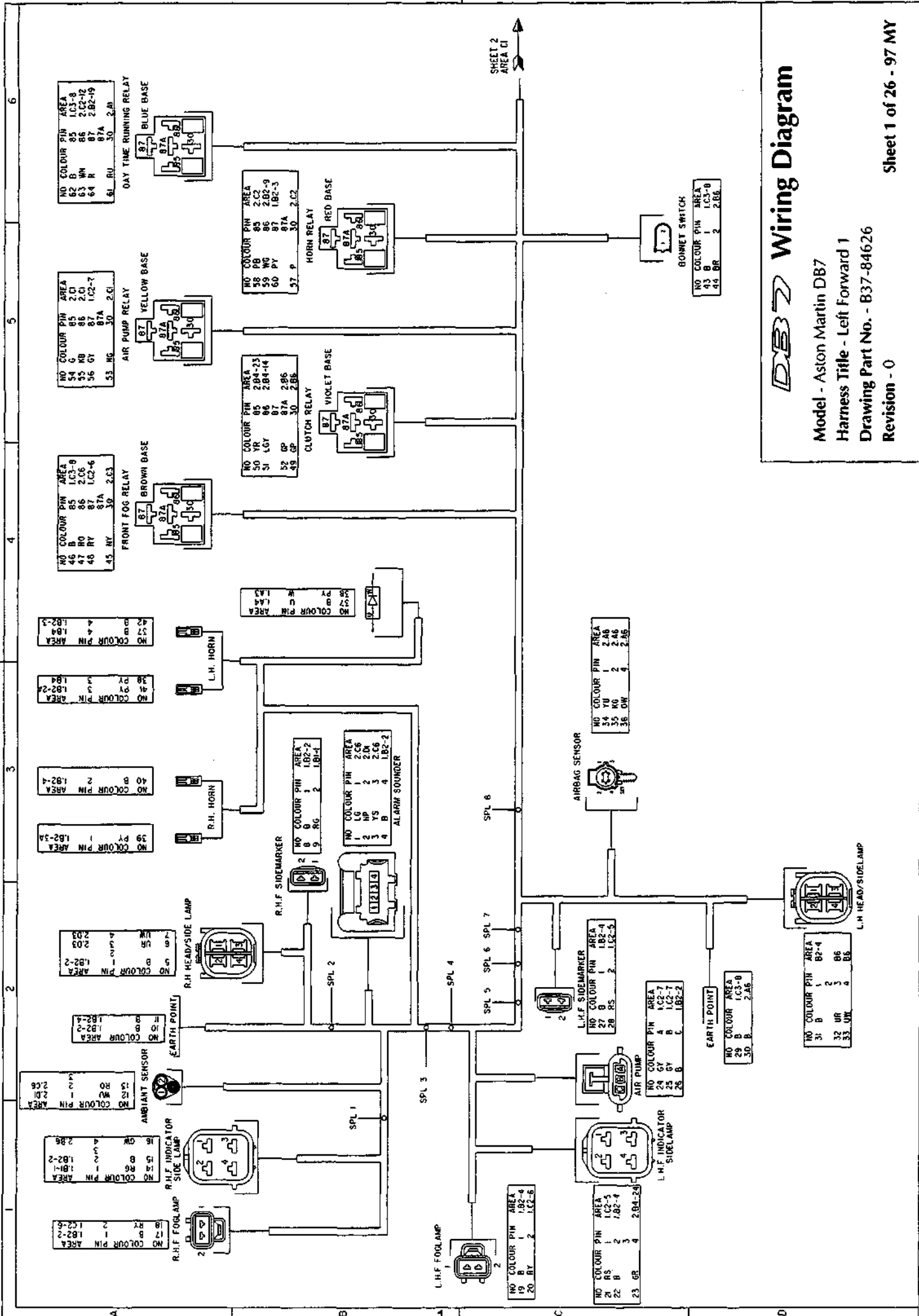
Boot (Trunk) Relays Coupe (Front To Rear)

Function	Base Colour	Relay/Module Cover.	Location
Stop Lights	Brown	Blue	1
Reverse Lights	Yellow	Blue	2
Fuel Pump 1	Blue	Silver (Bosch)	3
Fuel Pump 2	Green	Silver (Bosch)	4
Tilt Sensor	White	Pink	5
Fusebox			6



Sheet 1 Splices

Splice No	Wire Colour		
Wire No	Destination		
SPL 1	Red/Green	SPL 6	Red/Yellow
9	1 - B3	18	1 - A1
14	1 - A1	20	1 - C1
101	2 - C6	48	1 - A4
		130	2 - C6
SPL 2	Black	SPL 7	Green/Yellow
4	1 - B3	24	1 - C2
5	1 - A2	25	1 - C2
8	1 - B3	56	1 - A5
10	1 - A2	135	2 - C6
15	1 - A1	SPL 8	Black
17	1 - A1	29	1 - D2
26	1 - C2	43	1 - C5
		46	1 - A4
SPL 3	Purple/Yellow	62	1 - A6
39	1 - A3	75	2 - C6
41	1 - A3	79	2 - C6
60	1 - B5	116	2 - C6
SPL 4	Black		
11	1 - A2		
19	1 - C1		
22	1 - C1		
27	1 - C2		
31	1 - D2		
40	1 - A3		
42	1 - A4		
SPL 5	Red/Slate		
21	1 - C1		
28	1 - C2		
99	1 - C6		



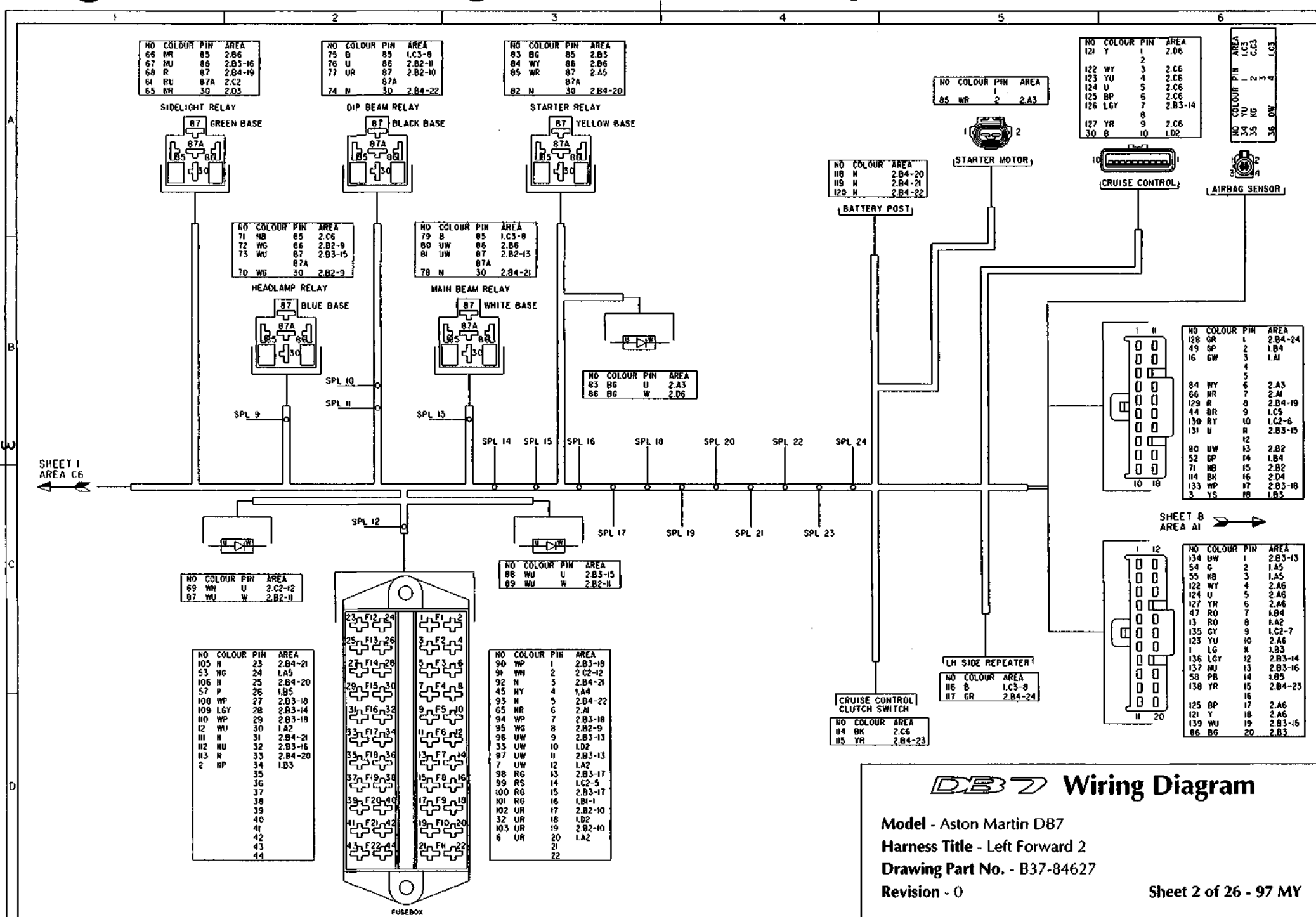
DB7 Wiring Diagram

Model - Aston Martin DB7
 Harness Title - Left Forward 1
 Drawing Part No. - B37-84626
 Revision - 0

Sheet 2 Splices

Splice No	Wire Colour	Splice No	Wire Colour	Splice No	Wire Colour
Wire No	Destination				
SPL 9	White/Green	SPL 14	Lt Green/Yellow	SPL 20	Brown
70	2 - B2	51	1 - C1	82	2 - A3
72	2 - B2	109	2 - D1	106	2 - C1
95	2 - D3	126	2 - A6	113	2 - D1
59	1 - B5	136	2 - D6	118	2 - B4
SPL 10	Blue/Red	SPL 15	White/Blue	SPL 21	Brown
77	2 - A2	73	2 - B2	78	2 - A3
102	2 - D3	88	2 - C3	92	2 - C3
103	2 - D3	131	2 - C6 Blue	105	2 - C1
SPL 11	Blue	139	2 - D6	111	2 - D1
76	2 - A2	SPL 16	Brown/Blue	119	2 - B4
87	2 - C2 White/Blue	67	2 - A1	SPL 22	Brown
89	2 - C3 White/Blue	112	2 - D6	74	2 - A2
SPL 12	White/Brown	137	2 - A1	93	2 - C3
63	1 - C1	SPL 17	Red/Green	120	2 - B4
69	2 - C1	98	2 - D3	SPL 23	Yellow/Red
91	2 - C3	100	2 - D3	50	1 - C1
SPL 13	Blue/White	132	2 - C3 Red	115	2 - D4
81	2 - B2	SPL 18	White/Purple	138	2 - B6
96	2 - D3	90	2 - C3	SPL 24	Green/Red
97	2 - D3	94	2 - D3	23	1 - B1
134	2 - D6	108	2 - D1	117	2 - D5
		110	2 - D1	128	2 - B6
		133	2 - D6		
		SPL 19	Red		
		64	1 - C1		
		68	2 - A1		
		129	2 - B6		
		132	2 - C3		

2



NO	COLOUR	PIN	AREA
66	WR	85	2.B6
67	MU	86	2.B3-16
68	R	87	2.B4-19
64	RU	87A	2.C2
65	NR	30	2.O3

NO	COLOUR	PIN	AREA
75	B	85	1.C3-8
76	U	86	2.B2-11
77	UR	87	2.B2-10
		87A	
74	N	30	2.B4-22

NO	COLOUR	PIN	AREA
83	BG	85	2.B3
84	WY	86	2.B6
85	WR	87	2.A5
		87A	
82	N	30	2.B4-20

NO	COLOUR	PIN	AREA
121	Y	1	2.D6
122	WY	2	2.C6
123	YU	4	2.C6
124	U	5	2.C6
125	BP	6	2.C6
126	LGY	7	2.B3-14
		8	
127	YR	9	2.C6
30	B	10	1.D2

NO	COLOUR	PIN	AREA
		1	1.C3
		2	1.C3
		3	1.C3
		4	1.C3
		5	1.C3
		6	1.C3
		7	1.C3
		8	1.C3
		9	1.C3
		10	1.C3

NO	COLOUR	PIN	AREA
85	WR	2	2.A3

NO	COLOUR	AREA
118	M	2.B4-20
119	N	2.B4-21
120	N	2.B4-22

NO	COLOUR	PIN	AREA
71	NB	65	2.C6
72	WG	66	2.B2-9
73	WU	67	2.B3-15
		87A	
70	WG	30	2.B2-9

NO	COLOUR	PIN	AREA
79	B	85	1.C3-8
80	1W	86	2.B6
81	1W	87	2.B2-13
		87A	
78	N	30	2.B4-21

NO	COLOUR	PIN	AREA
83	BG	U	2.A3
86	BG	W	2.D6

NO	COLOUR	PIN	AREA
69	WN	U	2.C2-12
87	WU	W	2.B2-11

NO	COLOUR	PIN	AREA
88	WU	U	2.B3-15
89	WU	W	2.B2-11

NO	COLOUR	PIN	AREA
105	N	23	2.B4-21
53	NG	24	1.A5
106	N	25	2.B4-20
57	P	26	1.B5
108	WP	27	2.B3-18
109	LGY	28	2.B3-14
110	WP	29	2.B3-18
12	WU	30	1.A2
111	N	31	2.B4-21
112	MU	32	2.B3-16
113	N	33	2.B4-20
2	NP	34	1.B3
		35	
		36	
		37	
		38	
		39	
		40	
		41	
		42	
		43	
		44	

NO	COLOUR	PIN	AREA
90	WP	1	2.B3-18
91	WN	2	2.C2-12
92	N	3	2.B4-21
45	NY	4	1.A4
93	N	5	2.B4-22
65	HR	6	2.A1
94	WP	7	2.B3-18
95	WG	8	2.B2-9
96	WU	9	2.B3-13
33	UW	10	1.D2
97	UW	11	2.B3-13
7	UW	12	1.A2
98	R6	13	2.B3-17
99	RS	14	1.C2-5
100	RG	15	2.B3-17
101	RG	16	1.B1-1
102	UR	17	2.B2-10
32	UR	18	1.D2
103	UR	19	2.B2-10
6	UR	20	1.A2
		21	
		22	

NO	COLOUR	PIN	AREA
128	GR	1	2.B4-24
49	GP	2	1.B4
16	GW	3	1.A1
		4	
		5	
84	WY	6	2.A3
66	NR	7	2.A1
129	R	8	2.B4-19
44	BR	9	1.C5
130	RY	10	1.C2-6
131	U	11	2.B3-15
		12	
80	UW	13	2.B2
52	GP	14	1.B4
71	NB	15	2.B2
114	DK	16	2.D4
133	WP	17	2.B3-18
3	YS	18	1.B3

NO	COLOUR	PIN	AREA
134	UW	1	2.B3-13
54	G	2	1.A5
55	NB	3	1.A5
122	WY	4	2.A6
124	U	5	2.A6
127	YR	6	2.A6
47	RO	7	1.B4
13	RO	8	1.A2
135	GY	9	1.C2-7
123	YU	10	2.A6
1	LG	11	1.B3
136	LGY	12	2.B3-14
137	MU	13	2.B3-16
58	PR	14	1.B5
138	YR	15	2.B4-23
		16	
125	BP	17	2.A6
121	Y	18	2.A6
139	WU	19	2.B3-15
86	BG	20	2.B3

DB7 Wiring Diagram

Model - Aston Martin DB7
 Harness Title - Left Forward 2
 Drawing Part No. - B37-84627
 Revision - 0

Sheet 3 Splices

Splice No	Wire Colour
Wire No	Destination

SPL 25 Pink/Black

155	3 - A5
181	3 - D2
176	3 - D4
929	3 - A3

SPL 26 Blue

152	3 - A3
164	3 - D1
173	3 - D3

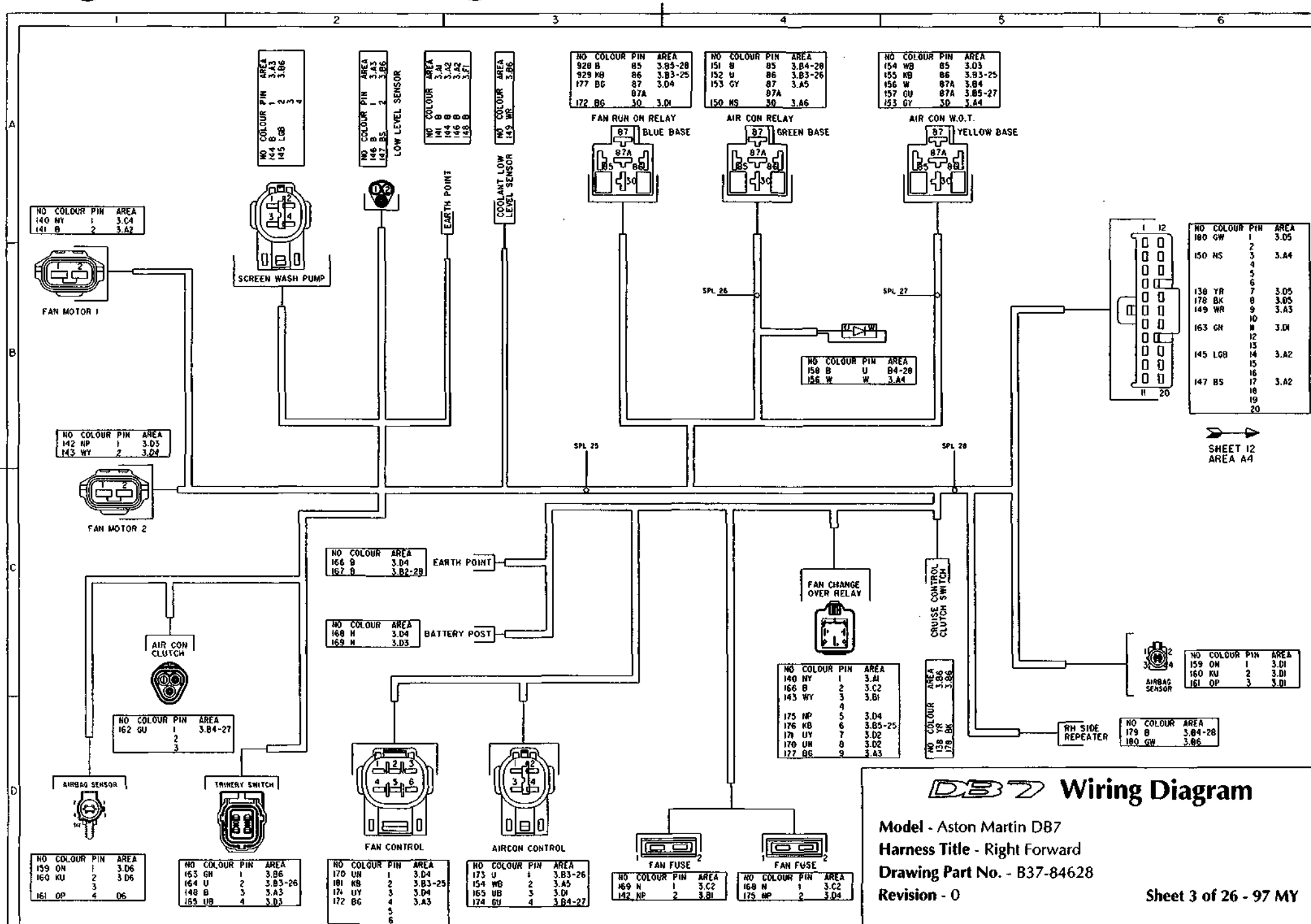
SPL 27 Green/Blue

157	3 - A4
162	3 - D1
174	3 - D3

SPL 28 Black

151	3 - A3
158	3 - B4
167	3 - C2
179	3 - D5
928	3 - A3

4



NO	COLOUR	PIN	AREA
180	GW	1	3.05
		2	
150	NS	3	3.A4
		4	
		5	
		6	
138	YR	7	3.05
178	BK	8	3.05
149	WR	9	3.A3
		10	
163	GN	11	3.D1
		12	
145	LGB	13	3.A2
		14	
147	BS	15	3.A2
		16	
		17	
		18	
		19	
		20	

→
 SHEET 12
 AREA A4

NO	COLOUR	PIN	AREA
159	OM	1	3.D1
160	KU	2	3.D1
161	OP	3	3.01

NO	COLOUR	AREA
179	B	3.B4-28
180	GW	3.B6

NO	COLOUR	PIN	AREA
140	NY	1	3.A1
166	B	2	3.C2
143	WY	3	3.B1
		4	
175	MP	5	3.04
176	KB	6	3.B3-25
171	UY	7	3.02
170	UM	8	3.02
177	BG	9	3.A3

DB7 Wiring Diagram

Model - Aston Martin DB7
 Harness Title - Right Forward
 Drawing Part No. - B37-84628
 Revision - 0

Shet 4 Splices

Splice No	Wire Colour
Wire No	Destination

SPL 29	Green/Blue
203	4 - A4
215	4 - D2
221	4 - B5

SPL 30	Black
186	4 - B1
202	4 - A2
220	4 - C5
222	4 - B5

9

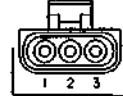
NO	COLOUR	PIN	AREA
200	RP	1	4.B6
201	RG	2	4.C5
197	BK	3	4.B1
202	B	4	4.B4-30
190	RK	5	BI
		6	

PERFORMANCE
MODE SWITCH

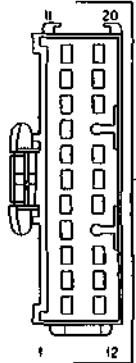


NO	COLOUR	PIN	AREA
203	GU	1	4B3-29
204	GP	2	4.C5
205	WU	3	4.C5

BAROMETRIC
PRESSURE SENSOR



NO	COLOUR	PIN	AREA
182	S	1	4.B5
		2	
184	O	3	4.B5
185	NR	4	4.B5
186	B	5	4.B4-30
187	BU	6	4.B5
188	G	7	4.O2
189	SP	8	4.B5
190	RK	9	4.A2
191	GB	10	4.B5
192	W	11	4.B6
193	KB	12	4.B5
194	YG	13	4.B5
195	GP	14	4.B6
196	KU	15	4.B5
197	BK	16	4.A2
198	RM	17	4.B5
199	K	18	4.B5
		19	
		20	



ENGINE HARNESS

SPL 29

SPL 30

NO	COLOUR	PIN	AREA
207	OR	38	4.O2
182	S	40	4.B1
191	GB	41	4.B1
206	DW	42	4.D2
209	DP	43	4.D2
196	KU	44	4.B1
184	O	45	4.B1
		46	

NO	COLOUR	PIN	AREA
210	OS	48	4.O2
218	G	50	4.O2
217	U	51	4.O2
209	DB	52	4.D2
193	KB	53	4.B1
222	B	54	4.B4-30
185	NR	55	4.B1

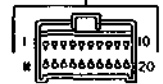
NO	COLOUR	PIN	AREA
212	ON	22	4.O2
200	RP	23	4.A2
		24	
195	GP	25	4.B1
214	OY	26	4.O2
		27	
		28	
		29	
192	W	30	4.B1
		31	
		32	
		33	
		34	
		35	
216	R	36	4.O2
219	N	37	4.O2



GEARBOX E.C.U.

NO	COLOUR	PIN	AREA
198	RN	1	4.B1
21	OK	2	4.O2
213	OU	3	4.O2
201	RG	4	4.A2
220	B	5	4.B4-30
194	YG	6	4.B1
		7	
		8	
		9	
		10	

NO	COLOUR	PIN	AREA
187	BU	11	4.B1
189	SP	12	4.B1
		13	
221	GU	14	4B3-29
204	GP	15	4.A4
199	K	16	4.B1
205	WU	17	4.A4
		18	
		19	



GEARBOX LINK HARNESS

NO	COLOUR	PIN	AREA
206	DW	1	4.B5
207	OR	2	4.B5
188	G	3	4.B1
208	DP	4	4.B5
209	DB	5	4.B5
210	OS	6	4.B5
211	OK	7	4.B5
212	ON	8	4.B6
213	OU	9	4.B6
214	OY	10	4.B6
215	GU	11	4.B3-29
216	R	12	4.B6
217	U	13	4.B5
218	G	14	4.B5
219	N	15	4.B6
		16	
		17	
		18	
		19	
		20	

SHEET 7
AREA AI

DB7 Wiring Diagram

Model - Aston Martin DB7

Harness Title - Auto Transmission

Drawing Part No. - B37-84629

Revision - 0

Sheet 4 of 26 - 97 MY

Sheet 5 Splices

Splice No **Wire Colour**
Wire No **Destination**

SPL 31 **Pink/Black**

227 5 - D2
230 5 - D2
334 6 - C2

SPL 32 **White/Blue**

232 5 - D3
234 5 - D4
13 6 - C2

SPL 33 **Black**

223 5 - D1
233 5 - D3
235 5 - D4

SPL 34 **Red**

258 5 - C3
295 6 - A2
263 5 - C4

SPL 35 **Pink/Black**

251 5 - A4
253 5 - B5
259 5 - C3
293 6 - A2
365 5 - B3 - 37

SPL 36 **Yellow/Black**

240 5 - B1
250 5 - A3
260 5 - C3
262 5 - C4
305 6 - A2

SPL 37 **Pink/Black**

245 5 - A2
247 5 - A3
365 5 - B5 - 35
366 5 - B2 - 38

SPL 38 **Pink/Black**

241 5 - A1
243 5 - A2
366 5 - B3 - 37

SPL 39 **Braid**

363 6 - B2 - 45

SPL 40 **White/Red**

267 5 - A5
269 5 - A6
273 5 - A6
339 6 - C2

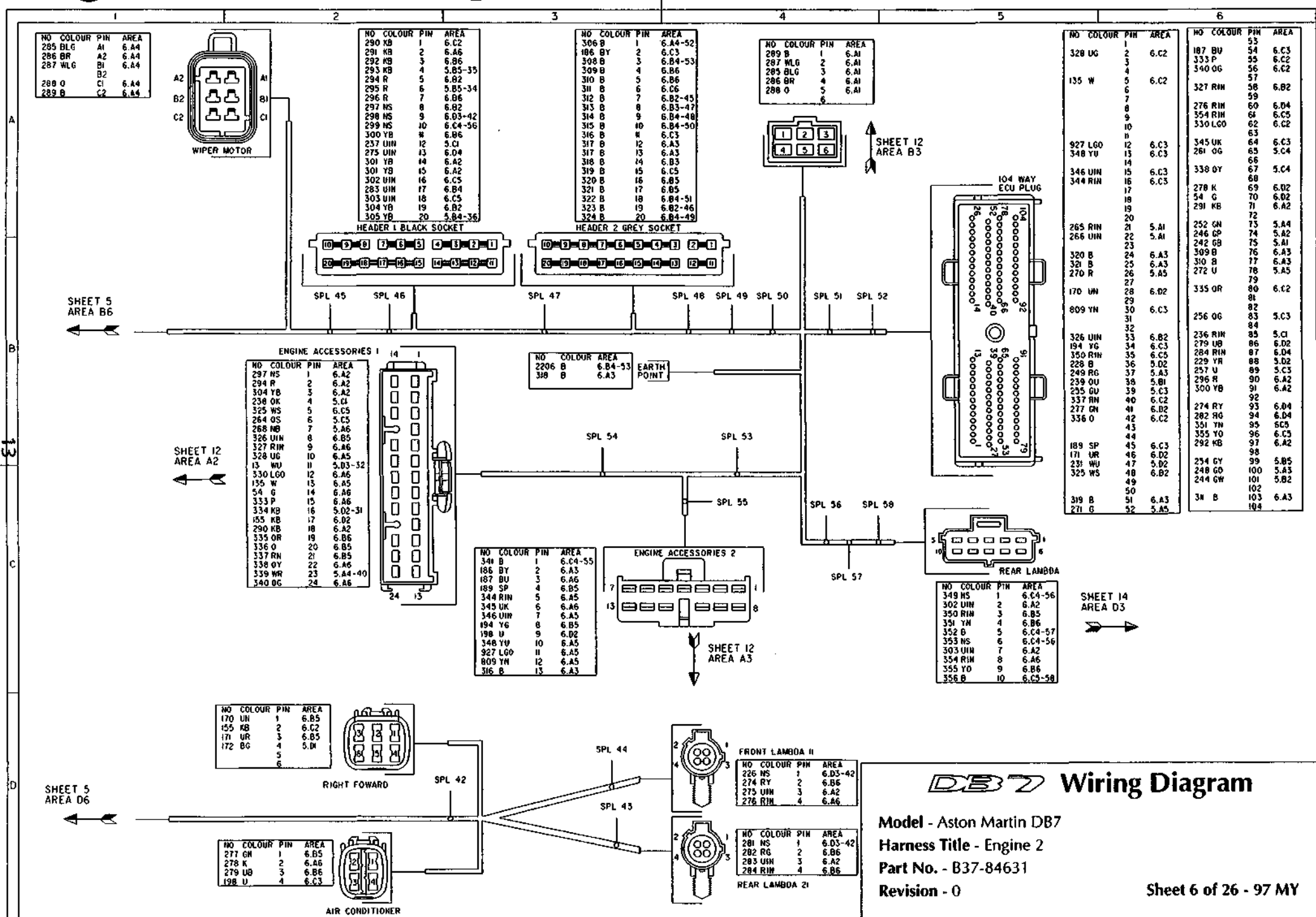
SPL 41 **Braid**

357 6 - B4 - 48

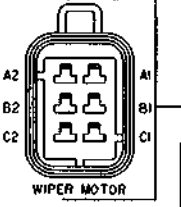
∞

Sheet 6 Splices

Splice No Wire No	Wire Colour Destination	Splice No	Wire Colour Destination
SPL 42	Brown/Slate	SPL 50	Black
226	6 - D4	315	6 - A3
281	6 - D4	361	6 - B4 - 58 Braid
298	6 - A2	SPL 51	Black
SPL 43	Braid	322	6 - A3
358	6 - B2 - 46	360	6 - B3 - 54 Braid
SPL 44	Braid	SPL 52	Black
359	6 - B3 - 47	306	6 - A3
SPL 45	Black	364	6 - C4 - 55 Braid
312	6 - A3	SPL 53	Black
363	5 - C1 - 39 Braid	2205	5 - C2
SPL 46	Black	308	6 - A3
323	6 - A3	2206	6 - B3
358	6 - D3 - 43 Braid	SPL 54	Braid
SPL 47	Black	360	6 - B4 - 51
313	6 - A3	SPL 55	Black
359	6 - D3 - 44 Braid	341	6 - C3
SPL 48	Black	364	6 - B5 - 52
314	6 - A3	SPL 56	Brown/Slate
357	5 - A2 - 41 Braid	299	6 - A2
SPL 49	Black	349	6 - C5
324	6 - A3	353	6 - C5
362	6 - C4 - 57 Braid	SPL 57	Black
		352	6 - C5
		362	6 - B4 - 49 Braid
		SPL 58	Black
		356	6 - C5
		361	6 - D4 - 50 Braid



NO	COLOUR	PIN	AREA
285	BLG	A1	6.A4
286	BR	A2	6.A4
287	WLG	B1	6.A4
288	O	C1	6.A4
289	B	C2	6.A4



NO	COLOUR	PIN	AREA
290	KB	1	6.C2
291	KB	2	6.A6
292	KB	3	6.B6
293	KB	4	5.B5-35
294	R	5	6.B2
295	R	6	5.B5-34
296	R	7	6.B6
297	NS	8	6.B2
298	NS	9	6.D3-42
299	NS	10	6.C4-56
300	YB	11	6.B6
301	UIN	12	5.C1
302	UIN	13	6.D4
303	YB	14	6.A2
304	YB	15	6.A2
305	UIN	16	6.C5
306	UIN	17	6.B4
307	UIN	18	6.C5
308	YB	19	6.B2
309	YB	20	5.B4-36

NO	COLOUR	PIN	AREA
306	B	1	6.A4-52
308	BY	2	6.C3
308	B	3	6.B4-53
309	B	4	6.B6
310	B	5	6.B6
311	B	6	6.C6
312	B	7	6.B2-45
313	B	8	6.B3-47
314	B	9	6.B4-48
315	B	10	6.B4-50
316	B	11	6.C3
317	B	12	6.A3
317	B	13	6.A3
318	B	14	6.B3
319	B	15	6.C5
320	B	16	6.B5
321	B	17	6.B5
322	B	18	6.B4-51
323	B	19	6.B2-46
324	B	20	6.B4-49

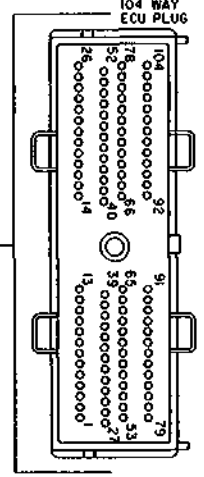
NO	COLOUR	PIN	AREA
289	B	1	6.A1
287	WLG	2	6.A1
285	BLG	3	6.A1
286	BR	4	6.A1
288	O	5	6.A1
		6	

NO	COLOUR	PIN	AREA
328	UG	1	6.C2
		2	
		3	
		4	
135	W	5	6.C2
		6	
		7	
		8	
		9	
		10	
		11	
927	LGO	12	6.C3
348	YU	13	6.C3
		14	
346	UIN	15	6.C3
344	RIN	16	6.C3
		17	
		18	
		19	
		20	

NO	COLOUR	PIN	AREA
187	BU	53	6.C3
333	P	54	6.C2
340	OG	55	6.C2
		56	
		57	
327	RIN	58	6.B2
		59	
		60	
276	RIN	61	6.D4
354	RIN	62	6.C5
330	LGO	62	6.C2
		63	
		64	
345	UK	64	6.C3
261	OG	65	5.C4
		66	
		67	
338	OY	67	5.C4
		68	
278	K	69	6.B2
54	G	70	6.B2
291	KB	71	6.A2
		72	
		73	
252	GN	73	5.A4
246	GP	74	5.A2
242	GB	75	5.A1
320	B	76	6.A3
309	B	76	6.A3
310	B	77	6.A3
272	U	78	5.A5
		79	
335	OR	80	6.C2
		81	
		82	
		83	
256	OG	83	5.C3
		84	
		85	
326	UIN	85	6.B2
194	YG	86	6.C3
279	UB	86	6.D2
350	RIN	87	6.C5
284	RIN	87	6.D4
228	B	88	5.D2
229	YR	88	5.C2
249	RG	89	5.A3
257	U	89	5.C3
239	OU	90	5.B1
296	R	90	6.A2
255	GU	91	5.C3
300	YB	91	6.A2
337	RIN	92	6.C2
277	GN	92	6.C2
336	O	93	6.C2
		94	
		95	
		96	
189	SP	96	6.C3
292	KB	97	6.A2
		98	
		99	
171	UR	45	6.D2
254	GY	39	5.B5
325	WS	47	5.D2
248	GO	101	5.A3
244	GW	101	5.B2
		102	
		103	
319	B	51	6.A3
271	G	52	5.A5
		104	
		104	

NO	COLOUR	PIN	AREA
297	NS	1	6.A2
294	R	2	6.A2
304	YB	3	6.A2
238	OK	4	5.C1
325	WS	5	6.C5
264	OS	6	5.C3
268	MB	7	5.A6
326	UIN	8	6.B5
327	RIN	9	6.A6
328	UG	10	6.A5
13	WU	11	5.D3-32
330	LGO	12	6.A6
135	W	13	6.A5
54	G	14	6.A6
333	P	15	6.A6
334	KB	16	5.D2-31
155	KB	17	6.B2
290	KB	18	6.A2
335	OR	19	6.B6
336	O	20	6.B5
337	RN	21	6.B5
338	OY	22	6.A6
339	WR	23	5.A4-40
340	OG	24	6.A6

NO	COLOUR	PIN	AREA
340	B	1	6.C4-55
186	BY	2	6.A3
187	BU	3	6.A6
189	SP	4	6.B5
344	RIN	5	6.A5
345	UK	6	6.A6
346	UIN	7	6.A5
194	YG	8	6.B5
198	U	9	6.D2
348	YU	10	6.A5
927	LGO	11	6.A5
809	YN	12	6.A5
316	B	13	6.A3



NO	COLOUR	PIN	AREA
349	NS	1	6.C4-56
302	UIN	2	6.A2
350	RIN	3	6.B5
351	YN	4	6.B6
352	B	5	6.C4-57
353	NS	6	6.C4-56
303	UIN	7	6.A2
354	RIN	8	6.A6
355	YO	9	6.B6
356	B	10	6.C3-58

NO	COLOUR	PIN	AREA
226	NS	1	6.D3-42
274	RY	2	6.B6
275	UIN	3	6.A2
276	RIN	4	6.A6

NO	COLOUR	PIN	AREA
281	NS	1	6.D3-42
282	RG	2	6.B6
283	UIN	3	6.A2
284	RIN	4	6.B6

DB7 Wiring Diagram

Model - Aston Martin DB7
 Harness Title - Engine 2
 Part No. - B37-84631
 Revision - 0

Sheet 7 Splices

Splice No	Wire Colour
Wire No	Destination
SPL 220	Green
188	7 - A1
2187	7 - A5
2188	7 - A5

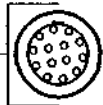
NO	COLOUR	PIN	AREA
206	OW	1	7.A5
207	OR	2	7.A5
208	OP	3	7.A2-220
210	OB	4	7.A5
210	OS	6	7.A5
211	OK	7	7.A5
212	ON	8	7.A5
213	OU	9	7.A5
214	OY	10	7.A5
215	BU	11	7.A5
216	R	12	7.A5
217	U	13	7.A5
218	G	14	7.A5
219	N	15	7.A5
		16	
		17	
		18	
		19	
		20	

SHEET 4
AREA C3



SPL 220

GEARBOX CONNECTOR



INPUT SPEED SENSOR



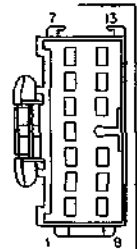
OUTPUT SPEED SENSOR

NO	COLOUR	PIN	AREA
216	R	1	7.A1
217	U	2	7.A1

NO	COLOUR	PIN	AREA
219	N	1	7.A1
218	G	2	7.A1

NO	COLOUR	PIN	AREA
207	OR	1	7.A1
208	OP	2	7.A1
2107	WR	3	7.A2-220
211	OK	4	7.A1
212	ON	5	7.A1
213	OU	6	7.A1
214	OY	7	7.A1
215	BU	8	7.A1
216	OW	9	7.A1
2188	WR	10	7.A2-220
219	OB	11	7.A1
		12	
		13	7.A1
		14	

SHEET 11
AREA C3



123, 830, 831, 836
TAPED IN LOOM

REVERSE LAMP
SWITCH



NO	COLOUR	PIN	AREA
803	SLG	2	7.C1
835	B	3	7.C1

NO	COLOUR	PIN	AREA
830	BG	1	7.C2
803	SLG	2	7.C5
123	YU	3	7.C1
831	YR	4	7.C1
		5	
		6	
		7	
		8	
		9	
835	B	10	C5
836	OG	11	C2
831	YR	12	7.C1
123	YU	13	7.C1

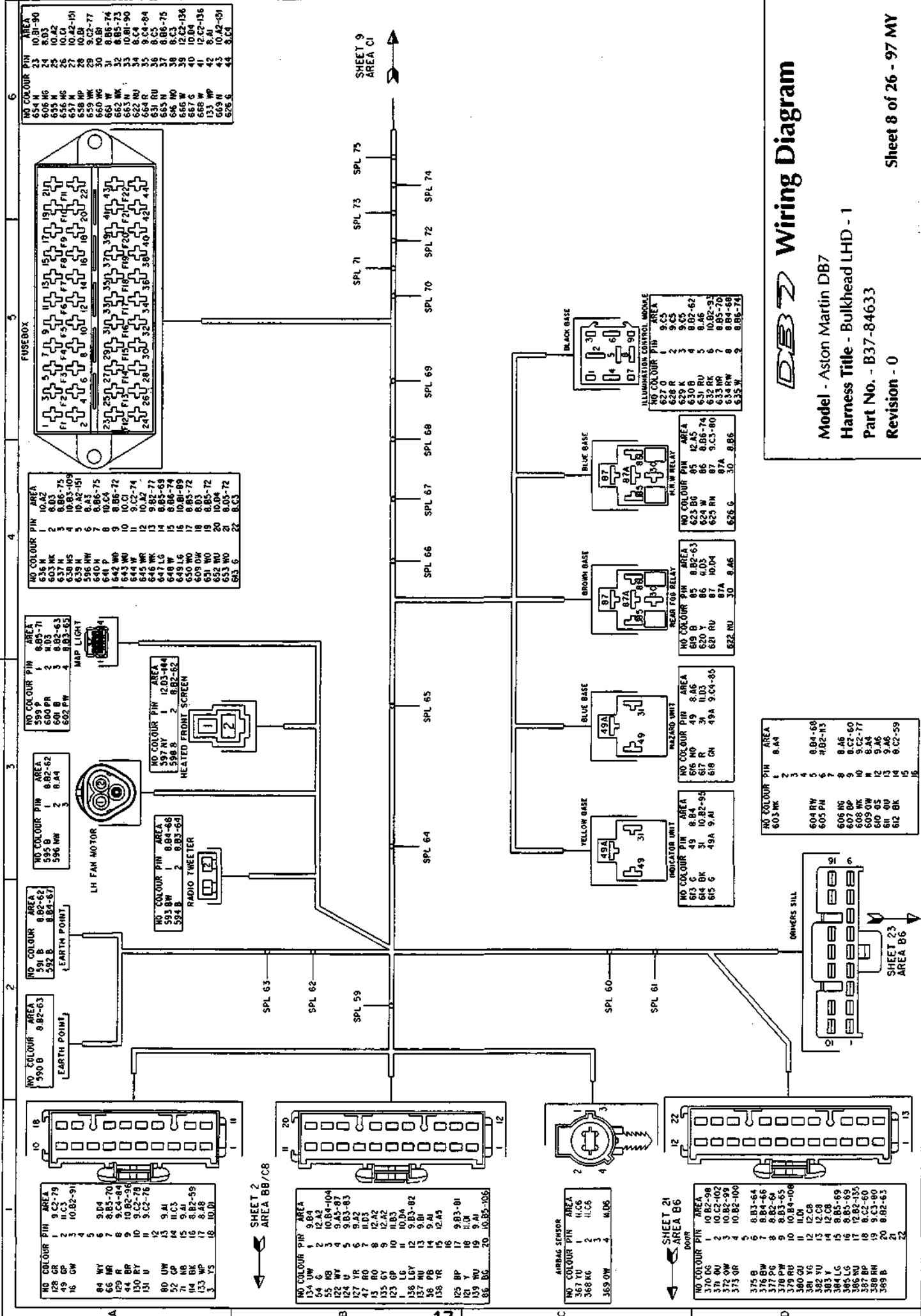
DB7 Wiring Diagram

Model - Aston Martin DB7
 Harness Title - Auto/Manual Transmission
 Part No. - B37-84632
 Revision - 0

Sheet 8 Splices		SPL 63	Black	SPL 67	Black	SPL 71	Purple
Splice No	Wire Colour						
Wire No	Destination						
SPL 59	Black/Pink						
114	8 - A1	389	8 - D1	592	8 - A2	599	8 - A3
612	8 - D3	590	8 - A2	670	9 - A1	687	9 - B1
1012	10 - B2 - 95	601	8 - A3	693	9 - A2	699	9 - D1
		619	8 - C4	755	9 - B6	898	11 - A1
		716	9 - D3	762	10 - B1		
		756	9 - B6	955	12 - D2	SPL 72	White/Orange
		791	10 - B4	1015	10 - B3 - 110	642	8 - A4
						650	8 - A4
						651	8 - A4
						653	8 - A4
						703	9 - D1
SPL 60	Black/Purple	SPL 64	Black	SPL 68	Red/White	SPL 73	White/Pink
387	8 - D1	375	8 - D1	604	8 - D3	662	8 - A6
607	8 - D3	594	8 - A2	634	8 - C5	706	9 - D2
940	12 - A5	790	10 - B4	757	9 - B6	708	9 - D2
				1001	11 - B2 - 114	751	9 - B6
		SPL 65	Purple/White			SPL 74	White
SPL 61	Purple/Green	378	8 - D1	SPL 69	Light Green	624	8 - C4
377	8 - D1	602	8 - A3	384	8 - D1	635	8 - C5
684	9 - B1	700	9 - D1	385	8 - D1	644	8 - A4
804	10 - D4	805	10 - D4	647	8 - A4	648	8 - A4
988	12 - B6	989	12 - B6	847	11 - D3	661	8 - A6
				990	12 - C6	719	9 - D3
		SPL 66	Black/White			948	12 - D1
SPL 62	Black	376	8 - D1	SPL 70	Brown/Red	SPL 75	Brown
591	8 - A2	593	8 - A2	66	8 - A1	637	8 - A4
595	8 - A3	789	10 - B4	633	8 - C5	640	8 - A4
598	8 - A3			672	9 - A1	665	8 - A6
630	8 - C5			936	12 - A5	787	10 - A2
685	9 - B1						
701	9 - D1						

DBZ Wiring Diagram

Model - Aston Martin DB7
 Harness Title - Bulkhead LHD - 1
 Part No. - B37-84633
 Revision - 0



DRIVERS SILL

NO	CLOUR	PIN	AREA
1	GR	1	8.64
2	GR	2	8.65
3	GR	3	8.66
4	GR	4	8.67
5	GR	5	8.68
6	GR	6	8.69
7	GR	7	8.70
8	GR	8	8.71
9	GR	9	8.72
10	GR	10	8.73
11	GR	11	8.74
12	GR	12	8.75
13	GR	13	8.76
14	GR	14	8.77
15	GR	15	8.78

INDICATOR UNIT

NO	CLOUR	PIN	AREA
1	GR	1	8.84
2	GR	2	8.85
3	GR	3	8.86
4	GR	4	8.87
5	GR	5	8.88
6	GR	6	8.89
7	GR	7	8.90
8	GR	8	8.91
9	GR	9	8.92
10	GR	10	8.93
11	GR	11	8.94
12	GR	12	8.95
13	GR	13	8.96
14	GR	14	8.97
15	GR	15	8.98
16	GR	16	8.99
17	GR	17	8.100

REAR FOG RELAY

NO	CLOUR	PIN	AREA
1	GR	1	8.92-63
2	GR	2	8.93
3	GR	3	8.94
4	GR	4	8.95
5	GR	5	8.96
6	GR	6	8.97
7	GR	7	8.98
8	GR	8	8.99
9	GR	9	8.100

ILLUMINATION CONTROL MODULE

NO	CLOUR	PIN	AREA
1	GR	1	9.03
2	GR	2	9.04
3	GR	3	9.05
4	GR	4	9.06
5	GR	5	9.07
6	GR	6	9.08
7	GR	7	9.09
8	GR	8	9.10
9	GR	9	9.11
10	GR	10	9.12
11	GR	11	9.13
12	GR	12	9.14
13	GR	13	9.15
14	GR	14	9.16
15	GR	15	9.17
16	GR	16	9.18
17	GR	17	9.19
18	GR	18	9.20
19	GR	19	9.21
20	GR	20	9.22
21	GR	21	9.23
22	GR	22	9.24

MAP LIGHT

NO	CLOUR	PIN	AREA
1	GR	1	8.85-71
2	GR	2	8.86
3	GR	3	8.87
4	GR	4	8.88
5	GR	5	8.89
6	GR	6	8.90
7	GR	7	8.91
8	GR	8	8.92
9	GR	9	8.93
10	GR	10	8.94
11	GR	11	8.95
12	GR	12	8.96
13	GR	13	8.97
14	GR	14	8.98
15	GR	15	8.99
16	GR	16	8.100

SHEET 2
AREA BB/7C8

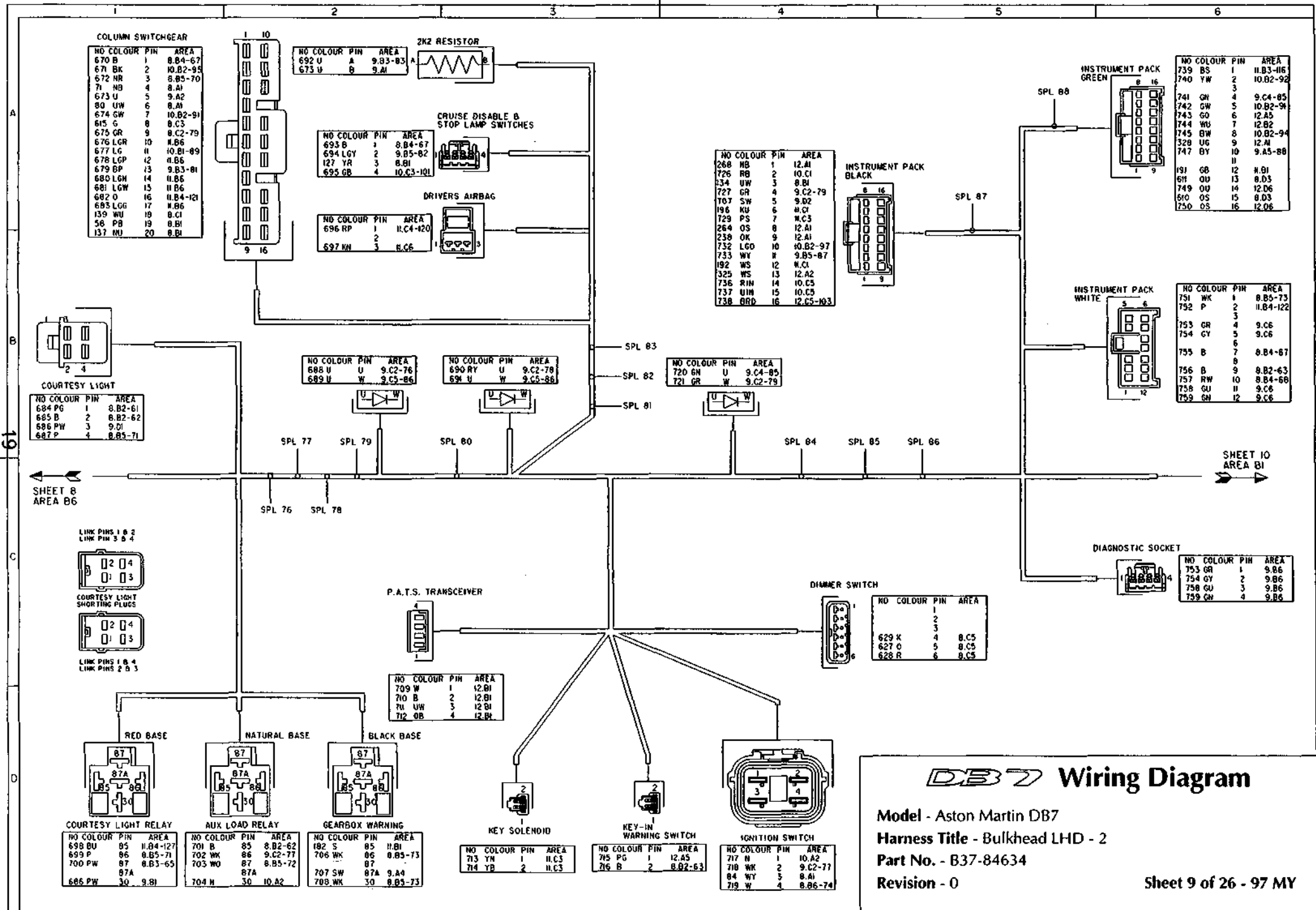
SHEET 21
AREA B6

SHEET 23
AREA B6

SHEET 9
AREA C1

Sheet 9 Splices

Splice No	Wire Colour	Wire No	Destination
SPL 76	Blue		
131	8 - A1		
688	9 - B2		
SPL 77	White/Pink		
608	8 - D3		
646	8 - A4		
659	8 - A6		
702	9 - D1		
718	9 - D3		
1003	11 - B3 - 117		
SPL 78	Red/Yellow		
130	8 - A1		
690	9 - B3		
SPL 79	Green/Red		
128	8 - A1		
675	9 - A1		
721	9 - B4		
727	9 - A4		
823	10 - C5		
SPL 80	Red/Brown		
388	8 - D1		
625	8 - C4		
829	10 - D5		
1013	10 - B5 - 107		
SPL 81	Black/Purple		
125	8 - B1		
679	9 - A1		
825	11 - D1		
856	11 - D3		
SPL 82	Lt Green/Yellow		
136	8 - B1		
694	9 - A2		
857	11 - D3		
2200	11 - D1		
SPL 83	Blue		
124	8 - B1		
692	9 - A2		
731	11 - B1		
855	11 - D3		
SPL 84	Red		
129	8 - A1		
664	8 - A6		
827	10 - C5		
784	11 - C1		
SPL 85	Green/Brown		
618	8 - C3		
720	9 - B4		
741	9 - A6		
760	10 - A1		
SPL 86	Blue		
689	9 - B2		
691	9 - B3		
844	11 - D3		
SPL 87	White/Yellow		
122	8 - B1		
840	11 - B3		
733	9 - B4		
SPL 88	Black/Yellow		
747	9 - A6		
764	10 - C1		
939	12 - A5		



COLUMN SWITCHGEAR

NO	COLOUR	PIN	AREA
670	B	1	8.B4-67
671	BK	2	10.B2-95
672	NR	3	8.B5-70
71	ND	4	8.A1
673	U	5	9.A2
80	UW	6	8.A1
674	GW	7	10.B2-91
615	G	8	8.C3
675	GR	9	8.C2-79
676	LGR	10	11.B6
677	LG	11	10.B1-89
678	LGP	12	11.B6
679	BP	13	9.B3-81
680	LGH	14	11.B6
681	LGW	15	11.B6
682	O	16	11.B4-121
683	LOG	17	11.B6
139	WU	19	8.C1
56	PB	19	8.B1
137	MU	20	8.B1

NO	COLOUR	PIN	AREA
692	U	A	9.B3-83
673	U	B	9.A1

NO	COLOUR	PIN	AREA
693	B	1	8.B4-67
694	LG	2	9.B5-82
127	YR	3	8.B1
695	GB	4	10.C3-101

NO	COLOUR	PIN	AREA
696	RP	1	11.C4-120
697	KN	3	11.C6

NO	COLOUR	PIN	AREA
268	NB	1	12.A1
726	RB	2	10.C1
134	UW	3	8.B1
727	GR	4	9.C2-79
707	SW	5	9.D2
196	KU	6	11.C1
729	PS	7	11.C3
264	OS	8	12.A1
238	OK	9	12.A1
732	LGO	10	10.B2-97
733	WY	11	9.B5-87
192	WS	12	11.C1
325	WS	13	12.A2
736	RIN	14	10.C5
737	UIM	15	10.C5
738	BRD	16	12.C5-103

NO	COLOUR	PIN	AREA
739	BS	1	11.B3-116
740	YW	2	10.B2-92
741	GN	3	9.C4-85
742	GW	4	10.B2-94
743	GO	5	12.A5
744	WU	6	12.B2
745	BW	7	10.B2-94
328	UG	8	12.A1
747	BY	10	9.A5-88
191	GB	12	11.B1
611	OD	13	8.D3
749	OU	14	12.D6
610	OS	15	8.D3
750	OS	16	12.D6

NO	COLOUR	PIN	AREA
751	WK	1	8.B5-73
752	P	2	11.B4-122
753	GR	3	9.C6
754	CY	4	9.C6
755	B	5	8.B4-87
756	B	6	8.B4-87
757	RW	9	8.B2-63
758	GU	10	8.B4-68
759	GN	12	9.C6

NO	COLOUR	PIN	AREA
688	U	U	9.C2-76
689	V	W	9.C5-86

NO	COLOUR	PIN	AREA
690	RY	U	9.C2-78
691	V	W	9.C5-88

NO	COLOUR	PIN	AREA
720	GN	U	9.C4-85
721	GR	W	9.C2-79

COURTESY LIGHT

NO	COLOUR	PIN	AREA
684	PG	1	8.B2-61
685	B	2	8.B2-62
686	PW	3	9.D1
687	P	4	8.B3-71

DIMMER SWITCH

NO	COLOUR	PIN	AREA
629	K	1	8.C5
627	O	2	8.C5
628	R	3	8.C5
629	K	4	8.C5
627	O	5	8.C5
628	R	6	8.C5

NO	COLOUR	PIN	AREA
709	W	1	12.B1
710	B	2	12.B1
711	UW	3	12.B1
712	OB	4	12.B1

COURTESY LIGHT RELAY

NO	COLOUR	PIN	AREA
698	BU	85	11.B4-127
699	P	86	8.B5-71
700	PW	87	8.B3-65
686	PW	30	9.B1

AUX LOAD RELAY

NO	COLOUR	PIN	AREA
701	B	85	8.B2-62
702	WK	86	9.C2-77
703	WO	87	8.B5-72
704	H	30	10.A2

GEARBOX WARNING

NO	COLOUR	PIN	AREA
182	S	85	11.B1
706	WK	86	8.B5-73
707	SW	87	8.B5-72
707	SW	87A	9.A4
708	WK	30	8.B3-73

KEY SOLENOID

NO	COLOUR	PIN	AREA
713	YN	1	11.C3
714	YB	2	11.C3

KEY-IN WARNING SWITCH

NO	COLOUR	PIN	AREA
715	PG	1	12.A5
716	B	2	8.B2-63

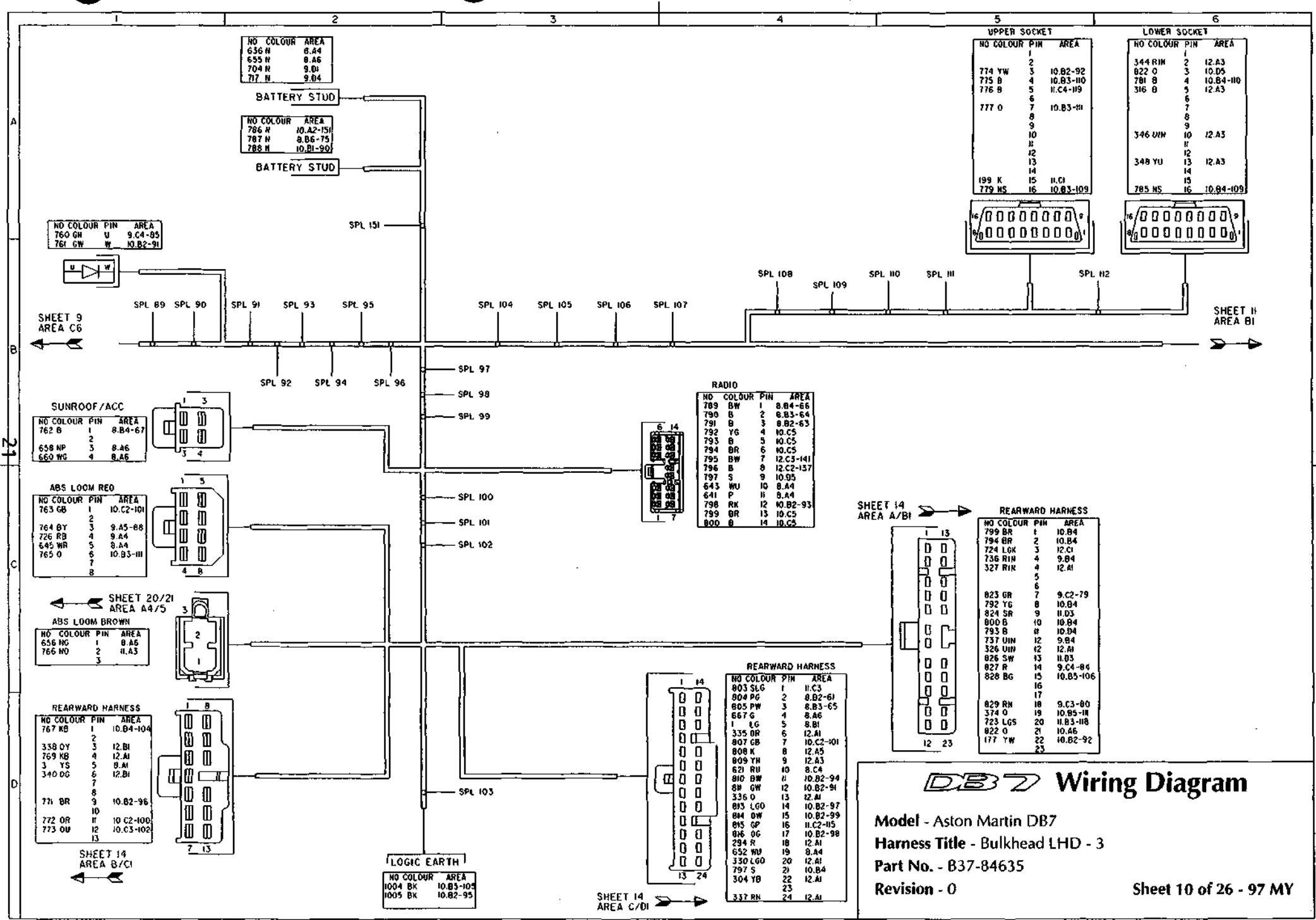
IGNITION SWITCH

NO	COLOUR	PIN	AREA
717	N	1	10.A2
718	WK	2	9.C2-77
84	WY	3	8.A1
719	W	4	8.B6-74

DB7 Wiring Diagram

Model - Aston Martin DB7
 Harness Title - Bulkhead LHD - 2
 Part No. - B37-84634
 Revision - 0

Sheet 10 Splices		SPL 94	Black/White	SPL 101	Green/Black	SPL 108	Red/Blue
Splice No	Wire Colour						
Wire No	Destination						
SPL 89	Light Green	SPL 95	Black/Pink	SPL 102	Orange/Blue	SPL 109	Brown/Slate
649	8 - A4	614	8 - C3	371	8 - D1	638	8 - A4
677	9 - A1	671	9 - A1	773	10 - D1	779	10 - A3
879	11 - B6	1005	10 - D2	1008	12 - C3 - 140	785	10 - A4
		1012	8 - C2 - 59				
SPL 90	Brown	SPL 96	Black/Red	SPL 103	Braid	SPL 110	Black
654	8 - A6	44	8 - A1	738	9 - B4	775	10 - A3
663	8 - A6	771	10 - D1			781	10 - A4
788	10 - A2	933	12 - A5	SPL 104	Pink/Black	1015	8 - B4 - 67
				55	8 - B1	SPL 111	Orange
SPL 91	Green/White	SPL 97	Lt Green Orange	767	10 - D1	765	10 - C1
16	8 - A1	732	9 - B4	958	12 - D2	777	10 - A5
180	12 - A4	813	10 - D4			184	11 - B1
674	9 - A1	927	12 - A3	SPL 105	Black/Pink	374	10 - D5
742	9 - A6			197	11 - C1		
761	10 - B1	SPL 98	Orange/Green	843	11 - D3	SPL 112	Braid
811	10 - D4	370	8 - D1	959	12 - D3	926	12 - A3
		816	10 - D4	1004	10 - D2	SPL 151	Brown
SPL 92	Yellow/White	1011	12 - C4 - 149	1007	12 - C2 - 140	639	8 - A4
740	9 - A6					657	8 - A6
774	10 - A3	SPL 99	Orange/White	SPL 106	Black/Green	669	8 - A6
868	11 - C6	372	8 - D1	86	8 - C1	786	10 - A2
177	10 - D5	814	10 - D4	828	10 - D5		
		1010	12 - C4 - 148	830	11 - B3		
SPL 93	Red/Pink			345	12 - A3		
632	8 - C5	SPL 100	Orange/Red	SPL 107	Red/Brown		
798	10 - C4	373	8 - D1	853	11 - D3		
190	11 - B1	772	10 - D1	993	12 - C6		
845	11 - D3	1009	12 - C3 - 147	1013	9 - C3 - 80		



NO	COLOUR	PIN	AREA
636	N	8	A4
655	N	8	A6
704	N	9	D1
717	N	9	D4

NO	COLOUR	PIN	AREA
786	N	10	A2-151
787	N	8	B6-75
788	N	10	D1-901

NO	COLOUR	PIN	AREA
760	GN	U	9.C4-85
761	GW	W	10.B2-91

UPPER SOCKET		
NO	COLOUR	PIN AREA
774	YW	2 10.B2-92
775	B	4 10.B3-110
776	B	5 11.C4-119
777	O	7 10.B3-111
		8
		9
		10
		11
		12
		13
		14
199	K	15 11.C1
779	NS	16 10.B3-109

LOWER SOCKET		
NO	COLOUR	PIN AREA
344	RIM	2 12.A3
822	O	3 10.D5
781	B	4 10.B4-110
316	B	5 12.A3
		6
		7
		8
		9
346	UIN	10 12.A3
		11
348	YU	13 12.A3
		14
785	NS	15 15
		16 10.B4-109

SUNROOF/ACC		
NO	COLOUR	PIN AREA
762	B	2 9.B4-67
658	NP	3 8.A6
660	WS	4 8.A6

ABS LOOM RED		
NO	COLOUR	PIN AREA
763	GB	1 10.C2-101
764	BY	2 9.A5-88
726	RB	3 9.A4
645	WR	5 9.A4
765	O	6 10.B3-111
		7
		8

ABS LOOM BROWN		
NO	COLOUR	PIN AREA
658	NO	1 8.A6
766	NO	2 11.A3
		3

REARWARD HARNESS		
NO	COLOUR	PIN AREA
767	KB	1 10.B4-104
		2
338	OY	3 12.B1
769	KB	4 12.A1
3	YS	5 8.A1
340	DC	6 12.B1
		7
		8
771	BR	9 10.B2-96
		10
772	OR	11 10.C2-100
773	OU	12 10.C3-102
		13

RADIO		
NO	COLOUR	PIN AREA
789	BW	1 8.B4-66
790	B	2 8.B3-64
791	B	3 8.B2-63
792	YG	4 10.C5
793	B	5 10.C5
794	BR	6 10.C5
795	BW	7 12.C3-141
796	B	8 12.C2-137
797	S	9 10.D5
643	WU	10 8.A4
641	P	11 8.A4
798	RK	12 10.B2-93
799	BR	13 10.C5
800	B	14 10.C5

REARWARD HARNESS		
NO	COLOUR	PIN AREA
803	SLG	1 11.C3
804	PG	2 8.B2-61
805	PW	3 8.B3-65
667	G	4 8.A6
1	LG	5 8.B1
335	OR	6 12.A1
807	GB	7 10.C2-101
808	K	8 12.A5
809	YH	9 12.A3
621	RU	10 8.C4
810	BW	11 10.B2-94
81	GW	12 10.B2-91
336	O	13 12.A1
815	LGO	14 10.B2-97
814	OW	15 10.B2-99
815	OP	16 11.C2-105
816	OG	17 10.B2-98
294	R	18 12.A1
652	WU	19 8.A4
330	LGO	20 12.A1
797	S	21 10.B4
304	YB	22 12.A1
		23
337	RN	24 12.A1

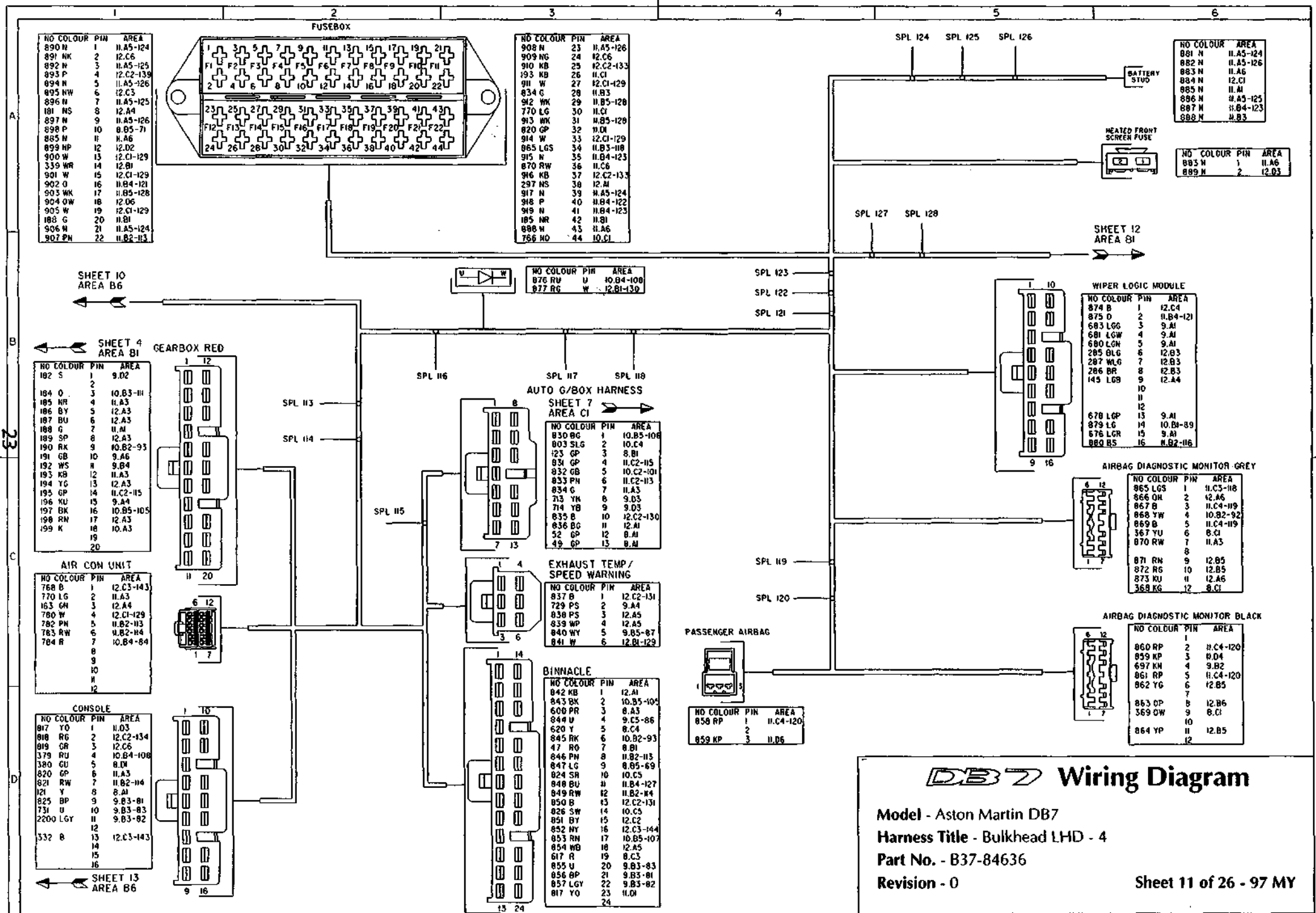
REARWARD HARNESS		
NO	COLOUR	PIN AREA
795	BR	1 10.B4
794	BR	2 10.B4
724	LKG	3 12.C1
736	RIN	4 9.B4
327	RIK	4 12.A1
		5
		6
823	GR	7 9.C2-79
792	YG	8 10.B4
824	SR	9 11.D3
800	B	10 10.B4
795	B	10 10.B4
737	UIN	12 9.B4
326	UIN	12 12.A1
826	SW	13 11.D3
827	R	14 9.C4-84
828	BG	15 10.B5-106
		16
		17
829	RN	18 9.C3-80
374	O	19 10.B5-111
723	LGS	20 11.B3-118
822	O	21 10.A6
177	YW	22 10.B2-92
		23

DB7 Wiring Diagram

Model - Aston Martin DB7
 Harness Title - Bulkhead LHD - 3
 Part No. - B37-84635
 Revision - 0

Sheet 11 Splices

Splice No	Wire Colour	Wire No	Destination
SPL 113	Purple/Brown	SPL 118	Lt Green/Slate
605	8 - D3	723	10 - D5
782	11 - C1	865	11 - D6
833	11 - B3	SPL 119	Black
846	11 - D3	867	11 - C6
907	11 - B1	869	11 - C6
996	12 - C6	1014	12 - C1 - 131
SPL 114	Red/White	776	10 - A5
783	11 - C1	SPL 120	Red/Purple
821	11 - D1	696	9 - B2
849	11 - D3	858	11 - D4
995	12 - C6	860	11 - D6
1001	8 - B5 - 68	861	11 - D6
SPL 115	Green/Purple	943	12 - B5
815	10 - D4	SPL 121	Orange
195	11 - C1	682	9 - A1
831	11 - B1	875	11 - B6
SPL 116	Black/Slate	902	11 - A1
147	12 - A4	288	12 - A3
739	9 - A6	SPL 122	Purple
880	11 - B6	752	9 - B6
938	12 - A5	333	12 - A1
SPL 117	White/Pink	918	11 - A3
952	12 - D1	SPL 123	Brown
998	12 - D6	887	11 - A6
1003	9 - C2 - 77	915	11 - A3
		925	12 - B1
		954	12 - D1
		SPL 124	Brown
		881	11 - A6
		906	11 - A1
		890	11 - A1
		917	11 - A3
		SPL 125	Brown
		886	11 - A6
		892	11 - A1
		896	11 - A1
		919	11 - A3
		950	12 - D1
		SPL 126	Brown
		882	11 - A6
		894	11 - A1
		897	11 - A1
		908	11 - A3
		SPL 127	Black/Blue
		698	9 - D1
		941	12 - A5
		848	11 - D3
		SPL 128	White/Pink
		903	11 - A1
		912	11 - A3
		913	11 - A3
		953	12 - D1



DB7 Wiring Diagram

Model - Aston Martin DB7

Harness Title - Bulkhead LHD - 4

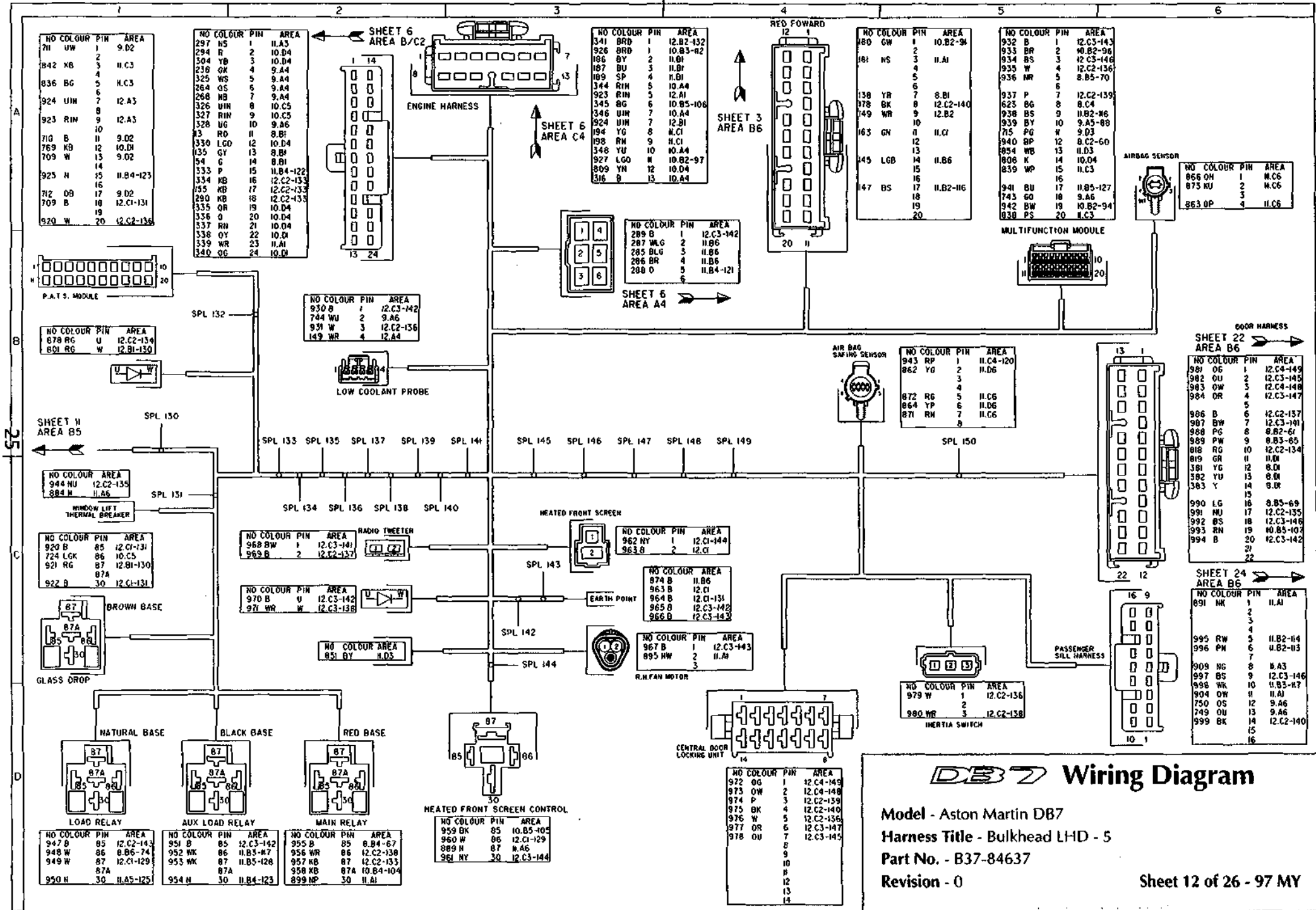
Part No. - B37-84636

Revision - 0

Sheet 11 of 26 - 97 MY

Sheet 12 Splices

Splice No	Wire Colour	Wire No	Destination	SPL 129	White	SPL 130	Red/Green	SPL 131	Black	SPL 132	Braid	SPL 133	Pink/Black	SPL 134	Red/Green	SPL 135	Brown/Blue	SPL 136	White	SPL 137	Black	SPL 138	White/Red	SPL 139	Purple	SPL 140	Black/Pink	SPL 141	Black/White	SPL 142	Black	SPL 143	Black	SPL 144	Brown/Yellow	SPL 145	Orange/Blue	SPL 146	Black/Slate	SPL 147	Orange/Red	SPL 148	Orange/White	SPL 149	Orange/Green																						
				780	11 - C1	877	11 - B3	835	11 - C3	341	12 - A3	910	11 - A3	818	11 - D1	386	8 - D1	920	12 - A1	796	10 - C4	956	12 - D2	893	11 - A1	178	12 - A4	795	10 - C4	289	12 - A3	973	12 - D3	597	8 - A3	978	12 - D4	934	12 - A5	977	12 - D4	973	12 - B2	852	11 - D3	984	12 - B6	983	12 - B6	961	12 - D3	992	12 - C6	1010	10 - B2 - 99	962	12 - C3	1008	10 - C2 - 105	997	12 - D6	1009	10 - C2 - 100	972	12 - D4	1011	10 - B2 - 98
				841	11 - C3	878	12 - B1	709	12 - A1	916	11 - A3	916	11 - A3	801	12 - B1	991	12 - C6	931	12 - B2	668	8 - A6	971	12 - C2	937	12 - A5	975	12 - D4	968	12 - C2	930	12 - B2	981	12 - B6	852	11 - D3	934	12 - A5	992	12 - C6	983	12 - B6	961	12 - D3	992	12 - C6	1010	10 - B2 - 99	962	12 - C3	1008	10 - C2 - 105	997	12 - D6	1009	10 - C2 - 100	972	12 - D4	1011	10 - B2 - 98								
				900	11 - A1	921	12 - C1	837	11 - C3	957	12 - D1	957	12 - D1	801	12 - B1	944	12 - C1	976	12 - D4	616	8 - A6	979	12 - C5	979	12 - A5	975	12 - D6	999	12 - D6	951	12 - D1	970	12 - C1	984	12 - B6	982	12 - B6	992	12 - C6	983	12 - B6	961	12 - D3	992	12 - C6	1010	10 - B2 - 99	962	12 - C3	1008	10 - C2 - 105	997	12 - D6	1009	10 - C2 - 100	972	12 - D4	1011	10 - B2 - 98								
				901	11 - A1	921	12 - C1	850	11 - D3	991	12 - C6	991	12 - C6	801	12 - B1	944	12 - C1	976	12 - D4	616	8 - A6	979	12 - C5	979	12 - A5	975	12 - D6	999	12 - D6	951	12 - D1	970	12 - C1	984	12 - B6	982	12 - B6	992	12 - C6	983	12 - B6	961	12 - D3	992	12 - C6	1010	10 - B2 - 99	962	12 - C3	1008	10 - C2 - 105	997	12 - D6	1009	10 - C2 - 100	972	12 - D4	1011	10 - B2 - 98								
				905	11 - A1	921	12 - C1	874	12 - C3	991	12 - C6	991	12 - C6	801	12 - B1	944	12 - C1	976	12 - D4	616	8 - A6	979	12 - C5	979	12 - A5	975	12 - D6	999	12 - D6	951	12 - D1	970	12 - C1	984	12 - B6	982	12 - B6	992	12 - C6	983	12 - B6	961	12 - D3	992	12 - C6	1010	10 - B2 - 99	962	12 - C3	1008	10 - C2 - 105	997	12 - D6	1009	10 - C2 - 100	972	12 - D4	1011	10 - B2 - 98								
				1002	12 - C2 - 136	921	12 - C1	874	12 - C3	991	12 - C6	991	12 - C6	801	12 - B1	944	12 - C1	976	12 - D4	616	8 - A6	979	12 - C5	979	12 - A5	975	12 - D6	999	12 - D6	951	12 - D1	970	12 - C1	984	12 - B6	982	12 - B6	992	12 - C6	983	12 - B6	961	12 - D3	992	12 - C6	1010	10 - B2 - 99	962	12 - C3	1008	10 - C2 - 105	997	12 - D6	1009	10 - C2 - 100	972	12 - D4	1011	10 - B2 - 98								
				905	11 - A1	921	12 - C1	874	12 - C3	991	12 - C6	991	12 - C6	801	12 - B1	944	12 - C1	976	12 - D4	616	8 - A6	979	12 - C5	979	12 - A5	975	12 - D6	999	12 - D6	951	12 - D1	970	12 - C1	984	12 - B6	982	12 - B6	992	12 - C6	983	12 - B6	961	12 - D3	992	12 - C6	1010	10 - B2 - 99	962	12 - C3	1008	10 - C2 - 105	997	12 - D6	1009	10 - C2 - 100	972	12 - D4	1011	10 - B2 - 98								
				905	11 - A1	921	12 - C1	874	12 - C3	991	12 - C6	991	12 - C6	801	12 - B1	944	12 - C1	976	12 - D4	616	8 - A6	979	12 - C5	979	12 - A5	975	12 - D6	999	12 - D6	951	12 - D1	970	12 - C1	984	12 - B6	982	12 - B6	992	12 - C6	983	12 - B6	961	12 - D3	992	12 - C6	1010	10 - B2 - 99	962	12 - C3	1008	10 - C2 - 105	997	12 - D6	1009	10 - C2 - 100	972	12 - D4	1011	10 - B2 - 98								



NO	CLOUR	PIN	AREA
71	UW	1	9.D2
842	XB	3	H.C3
836	BG	5	H.C3
924	UIM	7	12.A3
923	RIN	8	12.A3
710	B	10	9.D2
769	KB	12	10.D1
709	W	13	9.D2
925	N	15	H.B4-123
712	OB	17	9.D2
709	B	18	12.C1-131
920	W	20	12.C2-136

NO	CLOUR	PIN	AREA
297	NS	1	11.A3
294	R	2	10.D4
304	YB	3	10.D4
238	OK	4	9.A4
325	WS	5	9.A4
264	OS	6	9.A4
268	HB	7	9.A4
326	UIM	8	10.C5
327	RIN	9	10.C5
328	UG	10	9.A6
83	RD	11	8.B1
330	LGO	12	10.D4
135	GY	13	8.B1
54	G	14	8.B1
333	P	15	11.B4-122
334	KB	16	12.C2-133
155	KB	17	12.C2-133
260	KB	18	12.C2-133
335	OR	19	10.D4
336	O	20	10.D4
537	RN	21	10.D4
338	OY	22	10.D4
339	WR	23	11.A1
340	OG	24	10.D1

NO	CLOUR	PIN	AREA
341	BRD	1	12.B2-132
926	BRD	2	10.B3-12
186	BY	2	11.B1
187	BU	3	11.B1
109	SP	4	11.D1
344	RIN	5	10.A4
923	RIN	5	12.A1
345	RG	6	10.B5-106
346	UIM	7	10.A4
924	UIM	7	12.B1
194	YG	8	H.C1
198	RN	9	H.C1
348	YU	10	10.A4
927	LGO	11	10.B2-97
809	YN	12	10.D4
316	B	13	10.A4

NO	CLOUR	PIN	AREA
289	B	1	12.C3-142
287	WLG	2	11.B6
285	BLG	3	11.B6
286	BR	4	11.B6
288	O	5	11.B4-121

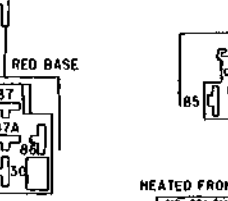
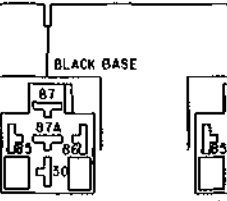
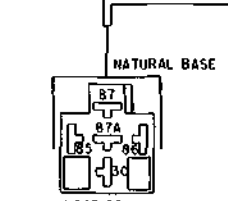
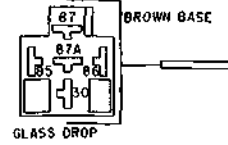
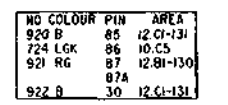
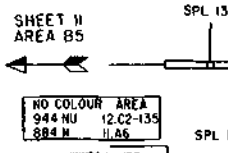
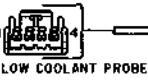
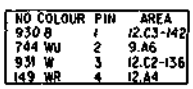
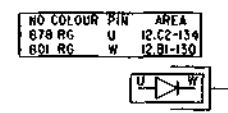
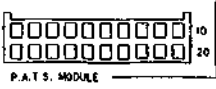
NO	CLOUR	PIN	AREA
180	GW	1	10.B2-94
181	NS	2	11.A1
138	YR	7	8.B1
178	BK	8	12.C2-140
149	WR	9	12.B2
163	GN	11	H.C1
145	LGB	14	11.B6
147	BS	18	11.B2-116

NO	CLOUR	PIN	AREA
932	B	1	12.C3-143
933	BR	2	10.B2-96
934	BS	3	12.C3-146
935	W	4	12.C2-136
936	NR	5	8.B5-70
937	P	7	12.C2-139
625	OG	8	8.C4
938	BS	9	11.B2-116
939	BY	10	9.A5-88
715	FG	11	9.D3
940	SP	12	8.C2-60
854	WB	13	11.D3
806	K	14	10.D4
839	WP	15	11.C3
941	BU	16	11.B5-127
743	GO	18	9.A6
942	BW	19	10.B2-94
838	PS	20	11.C3

NO	CLOUR	PIN	AREA
856	OH	1	M.C6
873	KU	2	M.C6
863	OP	4	11.C6

NO	CLOUR	PIN	AREA
981	OG	1	12.C4-149
982	OB	2	12.C3-145
983	OW	3	12.C4-148
984	OR	4	12.C3-147
986	B	6	12.C2-137
987	BW	7	12.C3-141
988	PG	8	8.B2-61
989	PW	9	8.B5-65
818	RG	10	12.C2-134
819	GR	11	11.D1
131	YG	12	8.D1
382	YU	13	8.D1
383	Y	14	8.D1
990	LG	16	8.B5-69
981	NU	17	12.C2-135
992	BS	18	12.C3-148
993	RN	19	10.B5-107
994	B	20	12.C3-142

NO	CLOUR	PIN	AREA
891	NH	1	11.A1
892	NH	2	11.A1
893	NH	3	11.A1
894	NH	4	11.A1
895	NH	5	11.A1
896	NH	6	11.A1
897	NH	7	11.A1
898	NH	8	11.A1
899	NH	9	11.A1
890	NH	10	11.A1
891	NH	11	11.A1
892	NH	12	11.A1
893	NH	13	11.A1
894	NH	14	11.A1
895	NH	15	11.A1
896	NH	16	11.A1



NO	CLOUR	PIN	AREA
947	B	85	12.C2-143
948	B	86	8.B6-74
949	W	87	12.C1-129
87A	87A	87A	
950	N	30	11.A5-125

NO	CLOUR	PIN	AREA
951	B	85	12.C3-142
952	WK	86	11.B3-117
953	WK	87	11.B5-126
87A	87A	87A	
954	N	30	11.B4-123

NO	CLOUR	PIN	AREA
955	B	85	8.B4-67
956	WR	86	12.C2-138
957	KB	87	12.C2-133
958	XB	87A	10.B4-104
899	NP	30	11.A1

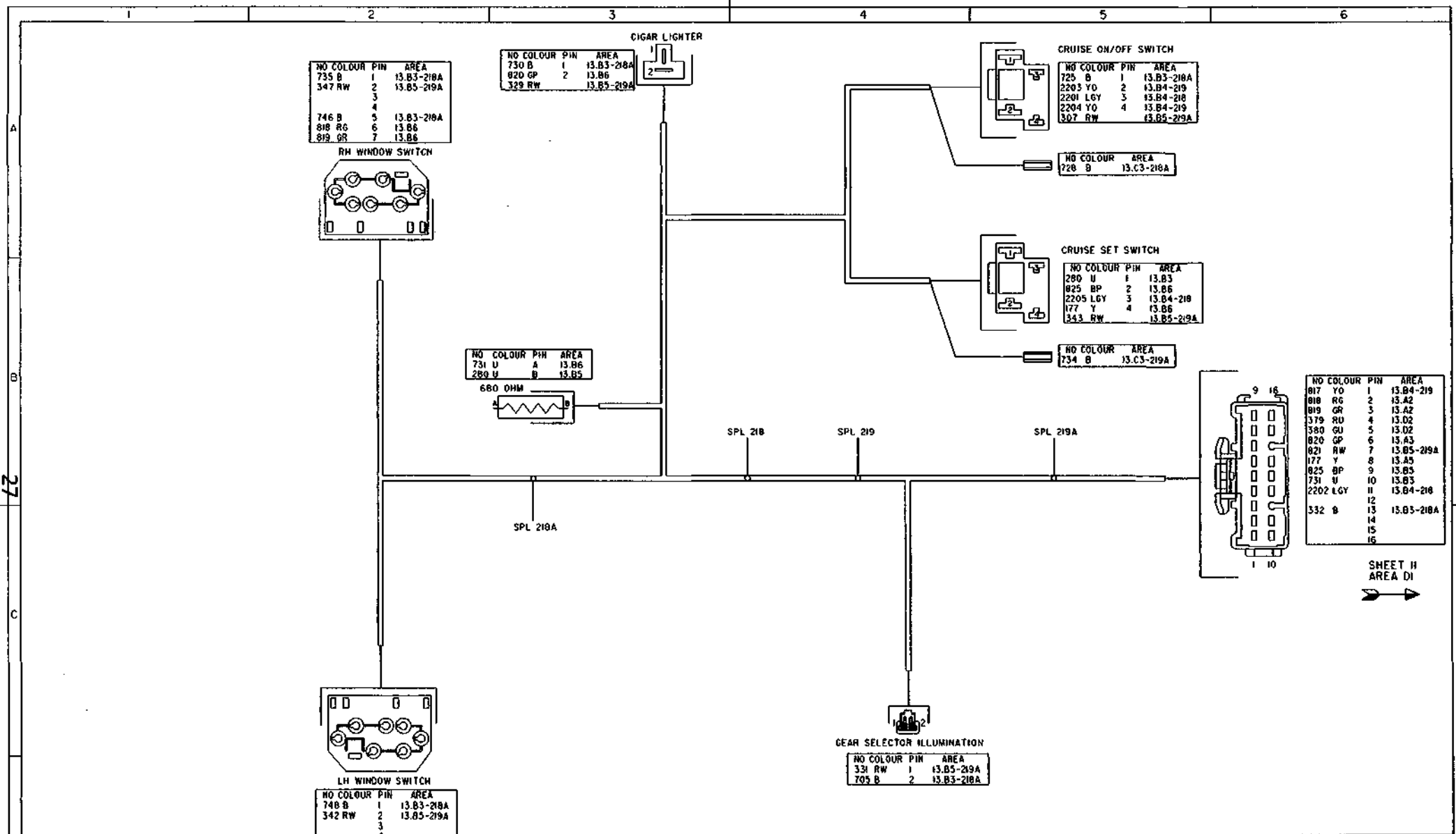
NO	CLOUR	PIN	AREA
959	BK	85	10.B5-105
960	W	86	12.C1-129
889	N	87	M.A6
961	NY	30	12.C3-144

DB7 Wiring Diagram
 Model - Aston Martin DB7
 Harness Title - Bulkhead LHD - 5
 Part No. - B37-84637
 Revision - 0
 Sheet 12 of 26 - 97 MY

Sheet 13 Splices

Splice No	Wire Colour
Wire No	Destination
SPL 218	Lt Green/Yellow
2202	13 - B6
2201	13 - A5
2205	13 - B5
SPL218A	Black
332	13 - B6
705	13 - D4
730	13 - A3
725	13 - A5
728	13 - A5
734	13 - B5
735	13 - A2
746	13 - A2
748	13 - D2
778	13 - D1
SPL 219	Yellow/Orange
817	13 - B6
2203	13 - A5
2204	13 - A5
SPL 219A	Red/White
821	13 - B6
331	13 - D4
329	13 - A3
307	13 - A5
343	13 - B5
347	13 - A2
342	13 - D2

24



NO	COLOUR	PIN	AREA
735	B	1	13.B3-218A
347	RW	2	13.B5-219A
		3	
746	B	4	13.B3-218A
818	RG	6	13.B6
819	GR	7	13.B6

NO	COLOUR	PIN	AREA
730	B	1	13.B3-218A
820	GP	2	13.B6
329	RW		13.B5-219A

NO	COLOUR	PIN	AREA
725	B	1	13.B3-218A
2203	YO	2	13.B4-219
2201	LGY	3	13.B4-218
2204	YO	4	13.B4-219
307	RW		13.B5-219A

NO	COLOUR	AREA
728	B	13.C3-218A

NO	COLOUR	PIN	AREA
280	U	1	13.B3
825	BP	2	13.B6
2205	LGY	3	13.B4-218
177	Y	4	13.B6
343	RW		13.B5-219A

NO	COLOUR	AREA
734	B	13.C3-219A

NO	COLOUR	PIN	AREA
731	U	A	13.B6
280	U	B	13.B5

NO	COLOUR	PIN	AREA
817	YO	1	13.B4-219
818	RG	2	13.A2
819	GR	3	13.A2
379	RU	4	13.02
380	GU	5	13.02
820	GP	6	13.A3
821	RW	7	13.B5-219A
177	Y	8	13.A5
825	BP	9	13.B5
731	U	10	13.B3
2202	LGY	11	13.B4-218
		12	
332	B	13	15.B5-218A
		14	
		15	
		16	

NO	COLOUR	PIN	AREA
748	B	1	13.B3-218A
342	RW	2	13.B5-219A
		3	
		4	
778	B	5	13.B3-218A
379	RU	6	13.B6
380	GU	7	13.06

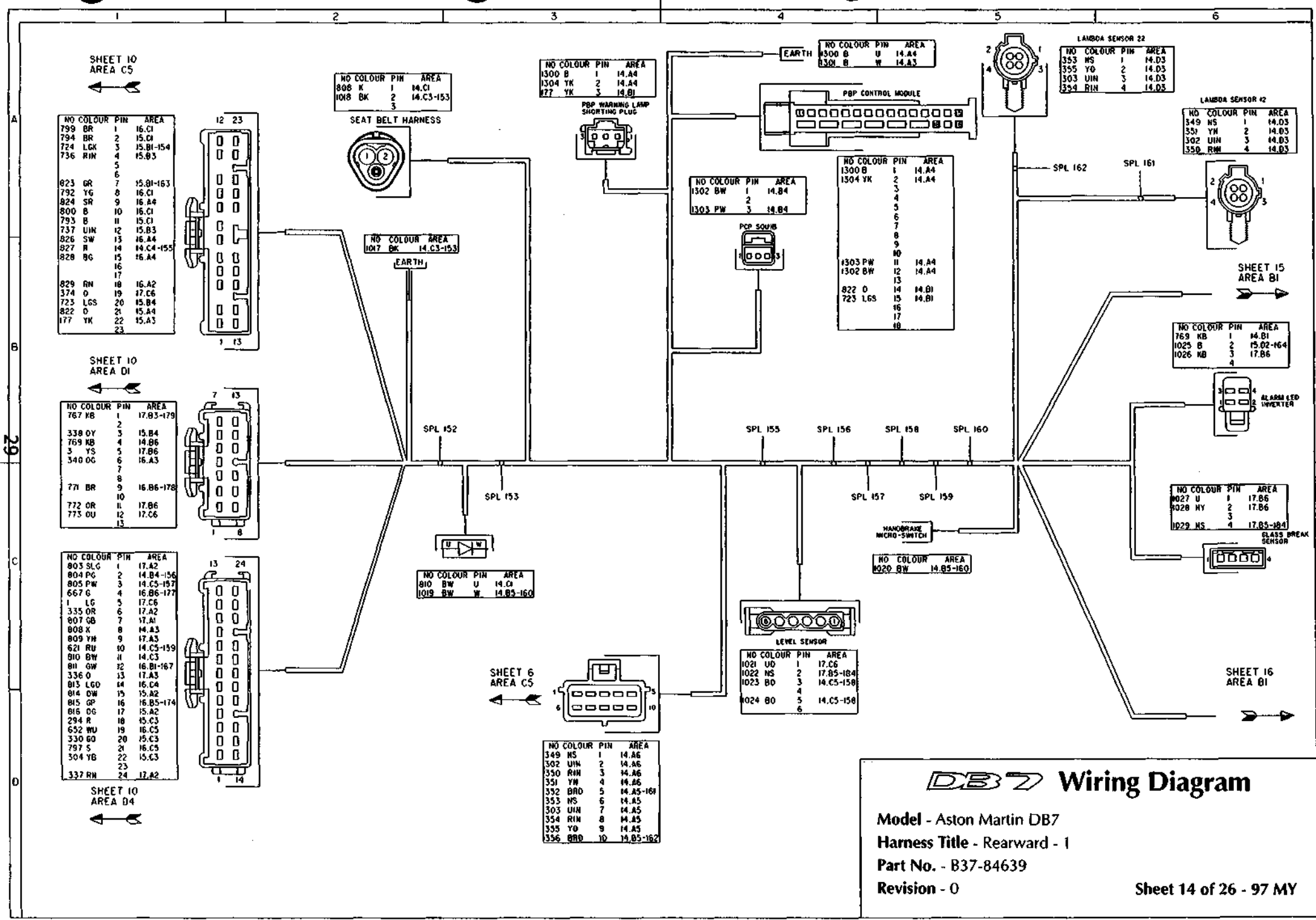
NO	COLOUR	PIN	AREA
331	RW	1	13.B5-219A
705	B	2	13.B3-218A

DB7 Wiring Diagram

Model - Aston Martin DB7
 Harness Title - Console
 Part No. - B37-84638
 Revision - 0

Sheet 14 Splices

Splice No Wire No	Wire Colour Destination	SPL 155 827 1072 1075	Red 14 - B1 16 - C2 16 - C2
SPL 152	Black/Pink	SPL 156	Purple/Green
1034	14 - A3 Braid	804	14 - C1
1142	14 - B3 - 153	1035	15 - C3
		1056	16 - B2
SPL 153	Black/Pink	SPL 157	Purple/White
1017	14 - A3	805	14 - C1
1018	14 - A3	1036	15 - C3
1142	14 - B3 - 152	1057	16 - B2
SPL 154	Lt Green/Pink	SPL 158	Black/Orange
724	15 - A1	1023	14 - C4
1033	15 - C2	1024	14 - C4
1039	15 - C2	1111	17 - A4
SPL 154A	Green/White	SPL 159	Red/Blue
1031	15 - A1	621	14 - C1
1060	16 - A3	1047	15 - B5
1075	15 - C2	1066	16 - D1
SPL 154B	Green/Red	SPL 160	Black/White
1030	15 - A1	1019	14 - C3
1061	16 - A3	1020	14 - C5
1074	15 - C2	1096	16 - A4
SPL 154C	Green/Purple	SPL 161	Braid
1033	15 - A2	352	14 - D3
1060	16 - B5 - 174	SPL 162	Braid
1045	15 - A5	356	14 - D3



NO COLOUR PIN AREA

799 BR	1	16.C1
794 BR	2	15.D1
724 LGK	3	15.B1-154
736 RIN	4	15.B3
	5	
	6	
823 OR	7	15.B1-163
792 YG	8	16.C1
824 SR	9	16.A4
800 B	10	16.C1
793 B	11	15.C1
737 UIN	12	15.B3
826 SW	13	16.A4
827 R	14	14.C4-155
828 BG	15	16.A4
	16	
	17	
829 RN	18	16.A2
374 O	19	17.C6
723 LGS	20	15.B4
822 O	21	15.A4
177 YK	22	15.A3
	23	

NO COLOUR PIN AREA

767 KB	1	17.B3-179
	2	
338 OY	3	15.B4
769 KB	4	14.B6
3 YS	5	17.B6
340 OC	6	16.A3
	7	
	8	
771 BR	9	16.B6-178
	10	
772 OR	11	17.B6
773 OU	12	17.C6
	13	

NO COLOUR PIN AREA

803 SLG	1	17.A2
804 PG	2	14.B4-156
805 PW	3	14.C3-157
667 G	4	16.B6-177
1 LG	5	17.C6
335 OR	6	17.A2
807 GB	7	17.A1
808 K	8	14.A3
809 YH	9	17.A3
621 RU	10	14.C3-159
810 BW	11	14.C3
811 GW	12	16.B1-167
336 O	13	17.A3
815 LGO	14	16.C4
814 DW	15	15.A2
815 GP	16	16.B5-174
816 OG	17	15.A2
294 R	18	15.C3
632 WU	19	16.C5
330 GO	20	15.C3
797 S	21	16.C5
304 YB	22	15.C3
	23	
337 RN	24	17.A2

NO COLOUR PIN AREA

808 K	1	14.C1
1018 BK	2	14.C3-153
	3	

NO COLOUR PIN AREA

1300 B	1	14.A4
1304 YK	2	14.A4
127 YK	3	14.B1

NO COLOUR PIN AREA

1302 BW	1	14.B4
1303 PW	2	14.B4

NO COLOUR PIN AREA

1300 B	1	14.A4
1304 YK	2	14.A4
	3	
	4	
	5	
	6	
	7	
	8	
	9	
	10	
1303 PW	11	14.A4
1302 BW	12	14.A4
	13	
822 O	14	14.B1
723 LGS	15	14.B1
	16	
	17	
	18	

LAMBDA SENSOR 22

353 MS	1	14.D3
355 YD	2	14.D3
303 UIN	3	14.D3
354 RIN	4	14.D3

LAMBDA SENSOR 12

349 NS	1	14.D3
351 YN	2	14.D3
302 UIN	3	14.D3
350 RIN	4	14.D3

NO COLOUR PIN AREA

769 KB	1	14.B1
1025 B	2	15.D2-164
1026 KB	3	17.B6
	4	

NO COLOUR PIN AREA

1027 U	1	17.B6
1028 NY	2	17.B6
	3	
1029 NS	4	17.B5-184

NO COLOUR PIN AREA

810 BW	U	14.C3
1019 BW	W	14.B3-160

NO COLOUR PIN AREA

1021 UD	1	17.C6
1022 NS	2	17.B5-164
1023 BD	3	14.C5-158
	4	
1024 BO	5	14.C5-158
	6	

NO COLOUR PIN AREA

349 NS	1	14.A6
302 UIN	2	14.A6
350 RIN	3	14.A6
351 YN	4	14.A6
352 BRD	5	14.A5-161
353 NS	6	14.A5
303 UIN	7	14.A5
354 RIN	8	14.A5
355 YD	9	14.A5
356 BRD	10	14.B5-162

DB7 Wiring Diagram

Model - Aston Martin DB7
 Harness Title - Rearward - 1
 Part No. - B37-84639
 Revision - 0

Sheet 15 Splices

Splice No	Wire Colour
Wire No	Destination
SPL 163	Green/Red
823	14 - A1
1050	15 - B6
1120	17 - B6
SPL 164	Black
1025	14 - B6
1032	15 - A2
1037	15 - D3
SPL 165	Black
1039	15 - D3
1044	15 - C4
1051	15 - B6
SPL 166	Red/Slate
1043	15 - C4
1052	15 - C6
1143	16 - B5 - 176

28

2 3 4 5 6

FUEL FILLER FLAP

NO	COLOUR	PIN	AREA
B16	OC	1	14.D
B14	DW	2	14.D



WINDOW LIFT

NO	COLOUR	PIN	AREA
1030	GR	1	15.B1-15.4B
1031	GN	2	15.B1-15.4B



HIGH LEVEL STOP LAMP

NO	COLOUR	PIN	AREA
1032	B	1	15.D2-16.4
1033	CP	2	15.B1-15.4C



SPEED INPUT

NO	COLOUR	PIN	AREA
1344	RD	1	14.C3-15.2
1345	RD	2	14.A
1347	W	3	14.A



PURGE CAN VENT

NO	COLOUR	PIN	AREA
1338	OY	1	14.B1
1040	KB	2	17.B3-17.9



BOOT LAMP

NO	COLOUR	PIN	AREA
1041	NP	1	16.B3-16.8
1042	BR	2	16.B3-17.2



REAR LAMP SHORTING PLUG

NO	COLOUR	PIN	AREA
1045	GP	1	15.B1-15.4C
1046	GP	2	15.C6
1047	RU	3	14.C3-15.9
1048	RD	4	15.86



LNK PINS 1 & 2

NO	COLOUR	PIN	AREA
1049	GR	1	15.85
1050	GR	2	16.B3-17.1
1051	GR	3	15.81-16.5
1052	RS	4	15.81-16.5
1053	RS	5	15.84-16.6
1046	GP	6	15.85



LNK PINS 3 & 4

NO	COLOUR	PIN	AREA
1054	GR	1	15.85
1055	GR	2	16.B3-17.1
1056	GR	3	15.81-16.5
1057	GR	4	15.81-16.5
1058	RS	5	15.84-16.6
1046	GP	6	15.85



SPEAKER

NO	COLOUR	PIN	AREA
1794	BR	1	14.A1
1793	B	2	14.A1



FUEL TANK PRESSURE

NO	COLOUR	PIN	AREA
1304	B	1	14.D
1305	CO	2	14.D
1304	R	3	14.B1



INTERIOR LIGHT

NO	COLOUR	PIN	AREA
1035	P	1	14.B4-15.6
1036	PW	2	14.C4-15.7



HEATED BACKLIGHT

NO	COLOUR	PIN	AREA
1037	B	1	15.02-16.4



EARTH

NO	COLOUR	PIN	AREA
1038	B	1	15.84-16.5
1039	B	2	15.02-16.4

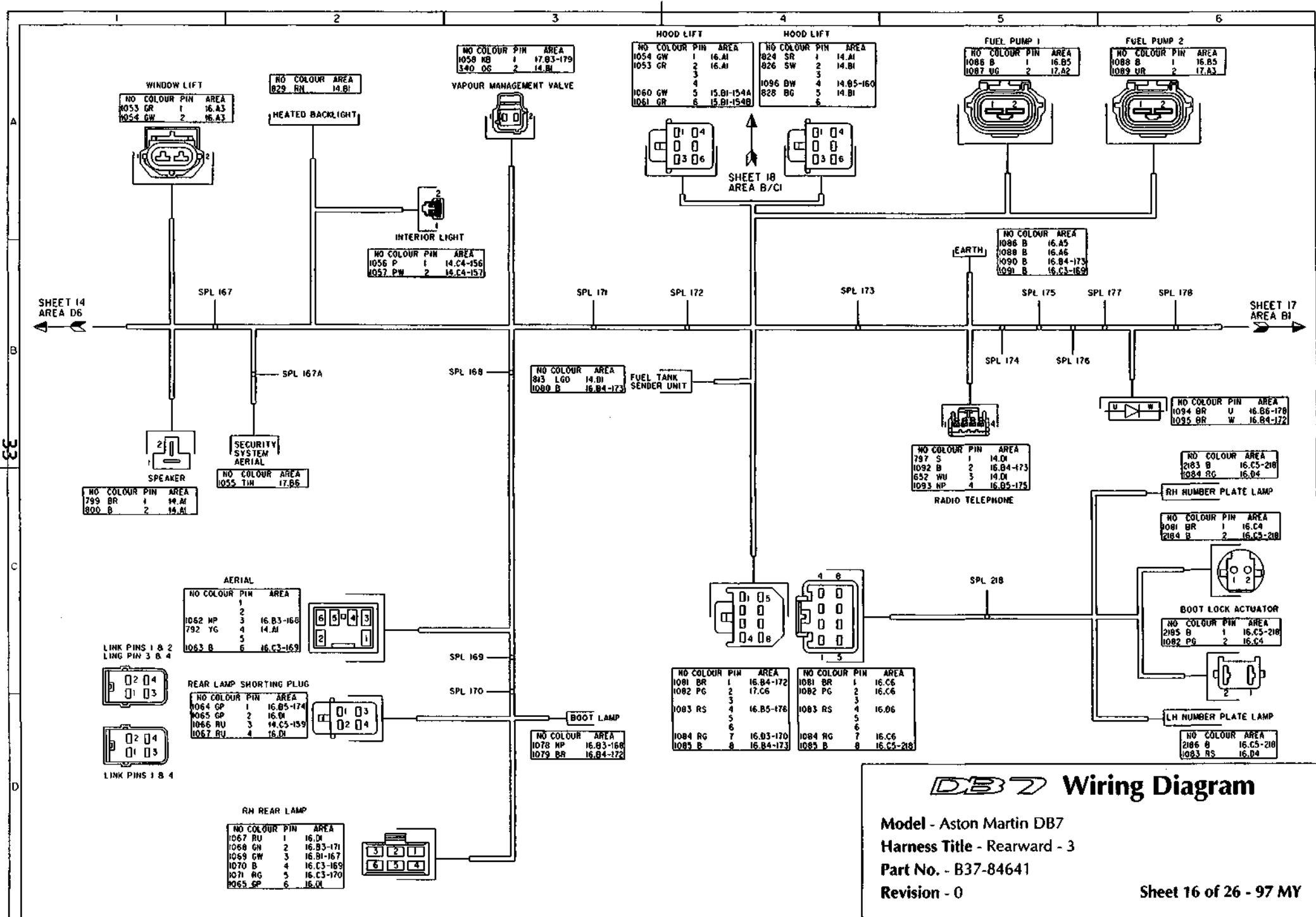


DB7 Wiring Diagram

Model - Aston Martin DB7
 Harness Title - Rearward - 2
 Part No. - B37-84640
 Revision - 0

Sheet 16 Splices

Splice No	Wire Colour	Splice No	Wire Colour	Splice No	Wire Colour
Wire No	Destination	Wire No	Destination	Wire No	Destination
SPL 167	Green/White	SPL 172	Black/Red	SPL 177	Green
811	14 - C1	1042	15 - A4	667	14 - C1
1069	16 - D1	1079	16 - D3	1126	17 - C1
1123	17 - C1	1081	16 - C4	1127	17 - C1
SPL 167A	Braid	1095	16 - C6	1137	17 - D2
1122	17 - B6	1117	17 - B6	1133	17 - C2
SPL 168	Brown/Purple	SPL 173	Black	SPL 178	Black/Red
1041	15 - A4	1090	16 - B5	771	14 - C1
1062	16 - C1	1092	16 - C5	1094	16 - C6
1078	16 - D3	1085	16 - C4	1118	17 - B6
1129	17 - D1	1041	17 - B4 - 183	SPL 218	Black
SPL 169	Black	1080	16 - B3	1085	16 - D4
1063	16 - C1	SPL 174	Green/Purple	2183	16 - B6
1070	16 - D1	815	14 - D1	2184	16 - C6
1091	16 - B5	1064	16 - D2	2185	16 - C6
SPL 170	Red/Green	1060	15 - B1 - 154C	2186	16 - C6
1071	16 - D1	1098	17 - A1		
1084	16 - C4	SPL 175	Brown/Purple		
1132	17 - C2	1093	16 - C5		
		1102	17 - A2		
		1139	17 - D1		



DB7 Wiring Diagram

Model - Aston Martin DB7
 Harness Title - Rearward - 3
 Part No. - B37-84641
 Revision - 0

Sheet 17 Splices

Splice No **Wire Colour**
Wire No **Destination**

SPL 179 **Pink/Black**
767 14 - B1
1040 15 - B4
1058 16 - A3
1103 17 - A2
1105 17 - A3

SPL 180 **Brown**
1130 17 - C1
1125 17 - D1
1135 17 - D2
1107 17 - B3

SPL 181 **Brown**
1128 17 - D1
1138 17 - D1
1140 17 - D1
1108 17 - B3

SPL 182 **White/Pink**
1110 17 - A4
1119 17 - B6
1134 17 - C2

SPL 183 **Black**
1109 17 - A4
1112 17 - A4
1116 17 - C4
1121 17 - B6
1041 16 - B4 - 173

SPL 184 **Brown/Slate**
1022 14 - C4
1029 14 - C6
1124 17 - C6
1136 17 - D2

STOP LAMP RELAY

NO	COLOUR	PIN	AREA
007	GB	85	14.C1
1097	G	86	17.02
1098	GP	87	16.B5-174
		87A	
1099	G	30	17.C2

REVERSE LAMP RELAY

NO	COLOUR	PIN	AREA
003	SLG	85	14.C1
1100	W	86	17.02
1101	GN	87	16.B3-171
		87A	
1102	NP	30	16.B5-175

FUEL PUMP RELAY 1

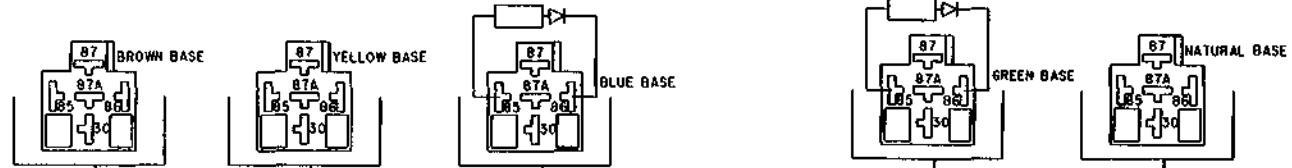
NO	COLOUR	PIN	AREA
335	OR	85	14.C1
103	KB	86	17.B3-179
1087	UG	87	16.A6
337	RN	87A	14.D1
1104	NP	30	17.02

FUEL PUMP RELAY 2

NO	COLOUR	PIN	AREA
336	O	85	14.C1
1105	KB	86	17.B3-179
1089	UR	87	16.A6
909	YN	87A	14.C1
1106	NP	30	17.C2

TILT SENSOR RELAY

NO	COLOUR	PIN	AREA
1109	B	85	17.B4-183
1110	WK	86	17.B4-183
		87	
111	BO	87A	14.B4-158
112	R	30	17.B4-183



NO	COLOUR	AREA
1107	H	17.B3-180
1108	N	17.B3-181

NO	COLOUR	PIN	AREA
1113	YS	A	17.B6
1114	NS	Q	17.C6

SECURITY SYSTEM

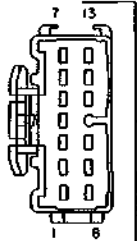
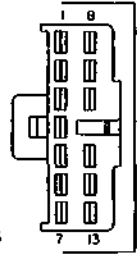
NO	COLOUR	PIN	AREA
1055	YN	1	16.C2
1026	KB	2	14.B6
1117	BR	3	16.B4-172
1118	BR	4	16.B6-178
1028	WY	5	14.C6
772	OR	6	14.C1
1027	U	7	14.C6
		8	
		9	
1119	WY	10	17.B4-182
3	YS	11	14.B8
1113	YS	11	17.B5
1120	GR	12	15.B1-163
1121	B	13	17.B4-183
1122	BRD	14	16.B2-167A
		15	
1021	UD	16	14.C4
773	OU	17	14.C1
		18	
374	O	19	15.B1
		20	
		21	
	LG	22	14.C1
1082	PG	23	16.C4
1123	GW	24	16.B1-167
1114	NS	25	17.B5
1124	NS	25	17.B5-184

SHEET 16
AREA B6

NO	COLOUR	PIN	AREA
1125	H	1	17.B3-180
1126	G	2	16.B6-177
1127	G	3	16.B6-177
1128	N	4	17.B3-181
1130	N	5	17.B3-180
1072	R	6	14.B4-155
1075	R	7	14.B4-155
1133	G	8	16.B6-177
1135	M	9	17.B3-180
1137	G	10	16.B6-177
1138	M	11	17.B3-181
1140	N	12	17.B3-181
		13	

SHEET 25
AREA B/C6
BOOT FUSEBOX HARNESS

NO	COLOUR	PIN	AREA
1106	NP	1	17.A3
1099	G	2	17.A1
1097	G	3	17.A1
1129	MP	4	16.B3-168
1115	NS	5	17.C4
1131	RS	6	16.B5-176
1132	RG	7	16.C3-170
1134	WK	8	17.B4-182
1136	NS	9	17.B5-184
1100	W	10	17.A2
1139	MP	11	16.B5-175
1104	NP	12	17.A2
		13	



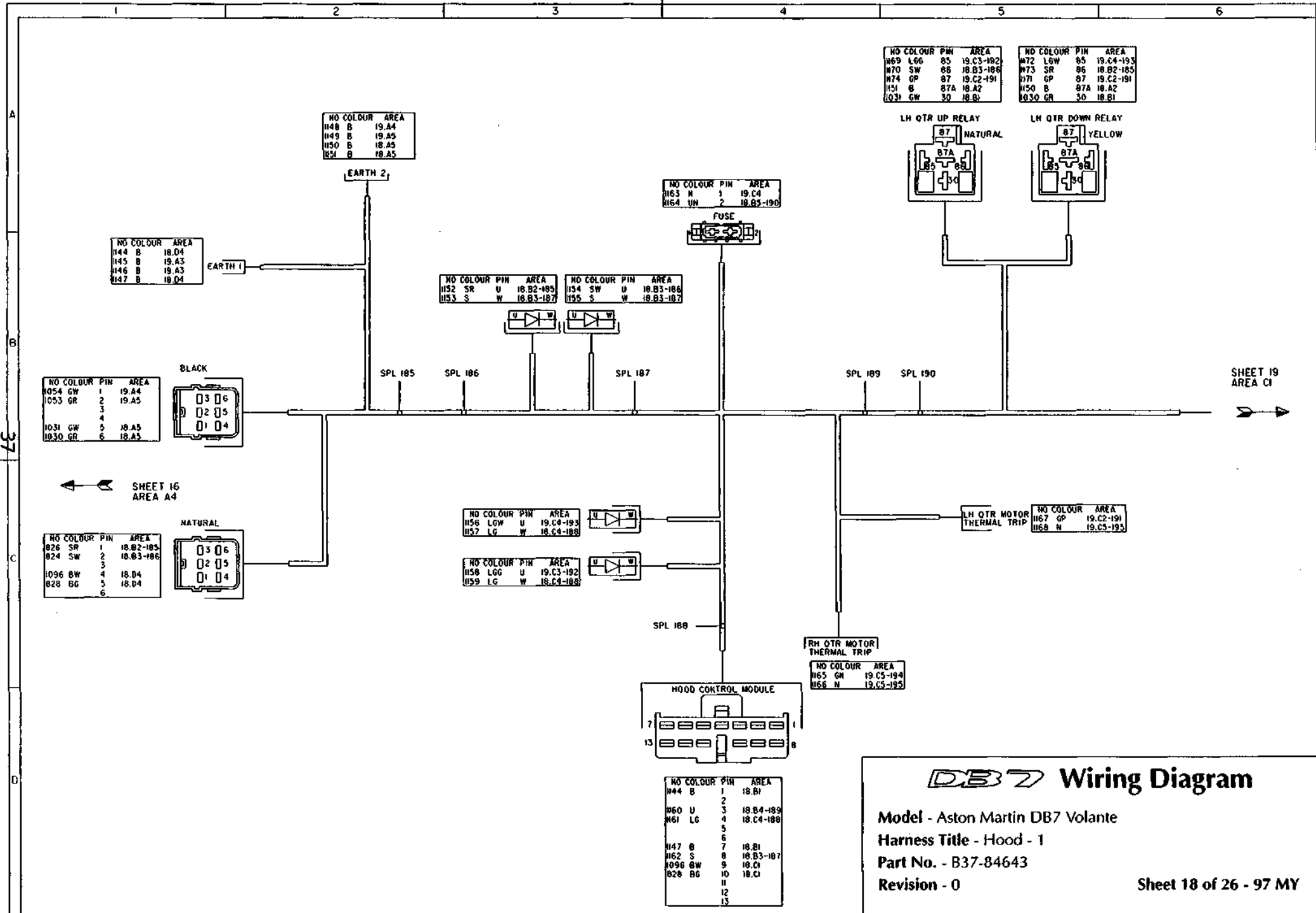
NO	COLOUR	AREA
1115	NS	17.D1
1116	B	17.B4-183

DB7 Wiring Diagram

Model - Aston Martin DB7
 Harness Title - Rearward - 4
 Part No. - B37-84642
 Revision - 0

Sheet 18 Splices**Splice No** **Wire Colour**
Wire No **Destination****SPL 185** **Slate/Red**826 18 - C1
1152 18 - B3
1173 18 - A5
1181 19 - A3
1189 19 - A5**SPL 186** **Slate/White**824 18 - C1
1154 18 - B3
1170 18 - A5
1177 19 - A2
1186 19 - A4**SPL 187** **Slate**1153 18 - B3
1155 18 - B3
1162 18 - D4**SPL 188** **Lt Green**1157 18 - C3
1159 18 - C3
1161 18 - D4**SPL 189** **Blue**1160 18 - D4
1176 19 - B1
1184 19 - B2**SPL 190** **Blue/Brown**1164 18 - A4
1178 19 - A2
1182 19 - A3

34



NO	COLOUR	PIN	AREA
W69	L66	85	19.C3-192
W70	SW	86	18.B3-186
W74	GP	87	19.C2-191
W51	B	87A	18.A2
W31	GW	30	18.B1

NO	COLOUR	PIN	AREA
W72	L6W	95	19.C4-193
W73	SR	96	18.B2-185
W71	GP	97	19.C2-191
W50	B	97A	18.A2
W30	GR	30	18.B1

NO	COLOUR	AREA
W48	B	19.A4
W49	B	19.A5
W50	B	18.A5
W51	B	18.A5

NO	COLOUR	AREA
W44	B	18.D4
W45	B	19.A3
W46	B	19.A3
W47	B	18.D4

NO	COLOUR	PIN	AREA
W63	M	1	19.C4
W64	UN	2	18.B5-189

NO	COLOUR	PIN	AREA
W52	SR	U	18.B2-185
W53	S	W	18.B3-187

NO	COLOUR	PIN	AREA
W54	SW	U	18.B3-186
W55	S	W	18.B3-187

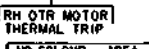
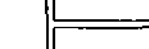
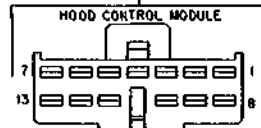
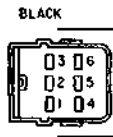
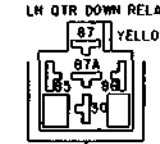
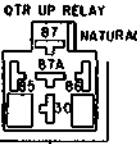
NO	COLOUR	PIN	AREA
W54	GW	1	19.A4
W53	GR	2	19.A5
		3	
W31	GW	4	18.A5
W30	GR	5	18.A5
		6	18.A5

NO	COLOUR	PIN	AREA
W26	SR	1	18.B2-185
W24	SW	2	18.B3-186
		3	
W96	BW	4	18.D4
W28	BG	5	18.D4
		6	18.D4

NO	COLOUR	PIN	AREA
W56	L6W	U	19.C4-193
W57	L6	W	18.C4-188

NO	COLOUR	PIN	AREA
W58	L6G	U	19.C3-192
W59	L6	W	18.C4-188

NO	COLOUR	PIN	AREA
W44	B	1	18.B1
		2	
W60	U	3	18.B4-189
W61	LG	4	18.C4-188
		5	
		6	
W47	B	7	18.B1
W62	S	8	18.B3-187
W98	BW	9	18.C1
W28	BG	10	18.C1
		11	
		12	
		13	



NO	COLOUR	AREA
W65	GW	19.C3-194
W66	N	19.C5-195

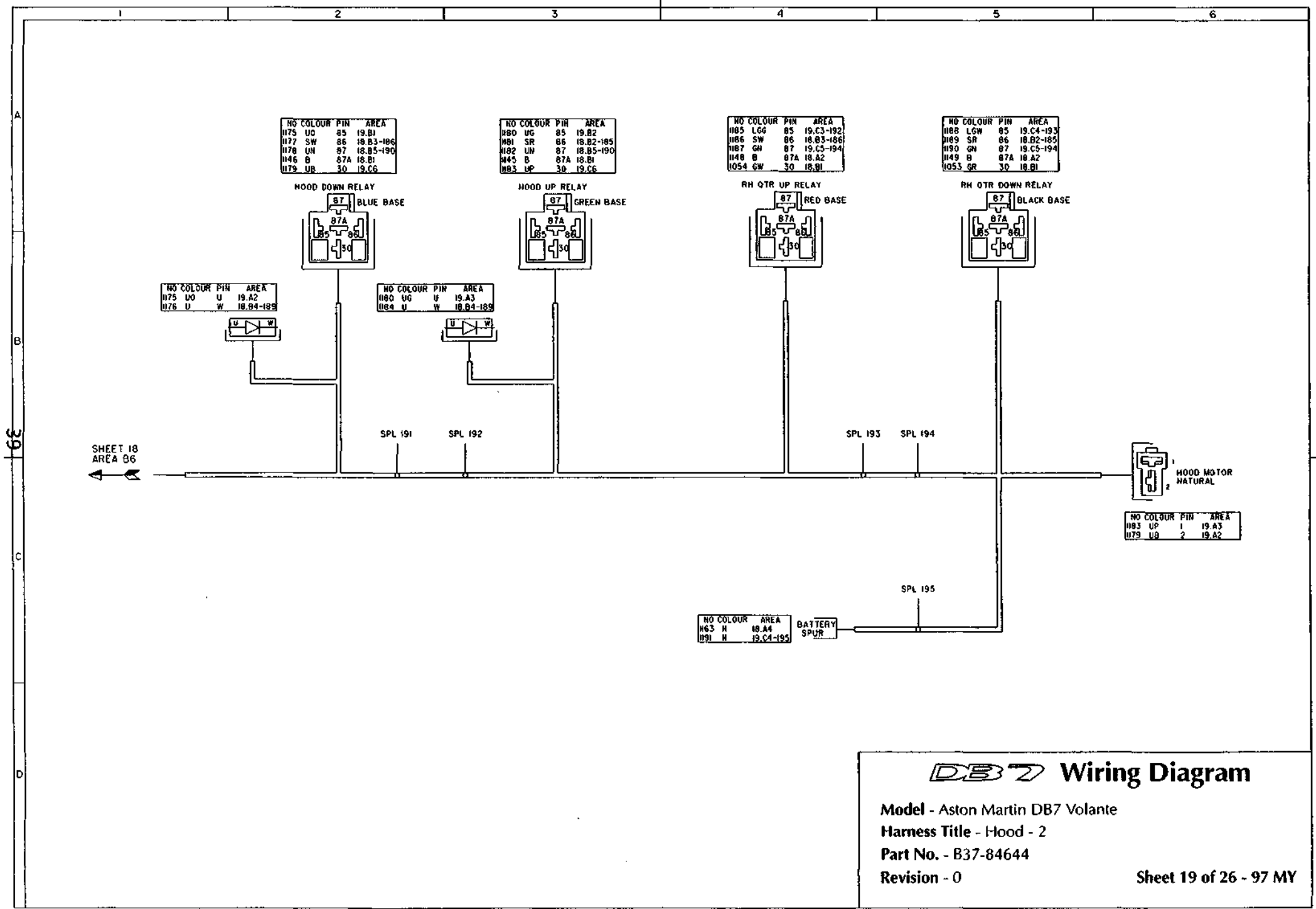
DB7 Wiring Diagram

Model - Aston Martin DB7 Volante
 Harness Title - Hood - 1
 Part No. - B37-84643
 Revision - 0

Sheet 19 Splices

Splice No	Wire Colour
Wire No	Destination
SPL 191	Green/Purple
1167	18 - C5
1171	18 - A5
1174	18 - A5
SPL 192	Lt Green/Green
1158	18 - C3
1169	18 - A5
1185	19 - A4
SPL 193	Lt Green/White
1156	18 - C3
1172	18 - A5
1188	19 - A5
SPL 194	Green/Brown
1165	18 - C4
1187	19 - A4
1190	19 - A5
SPL 195	Brown
1166	18 - C4
1168	18 - C5
1191	19 - C4

36



SHEET 18
 AREA 86

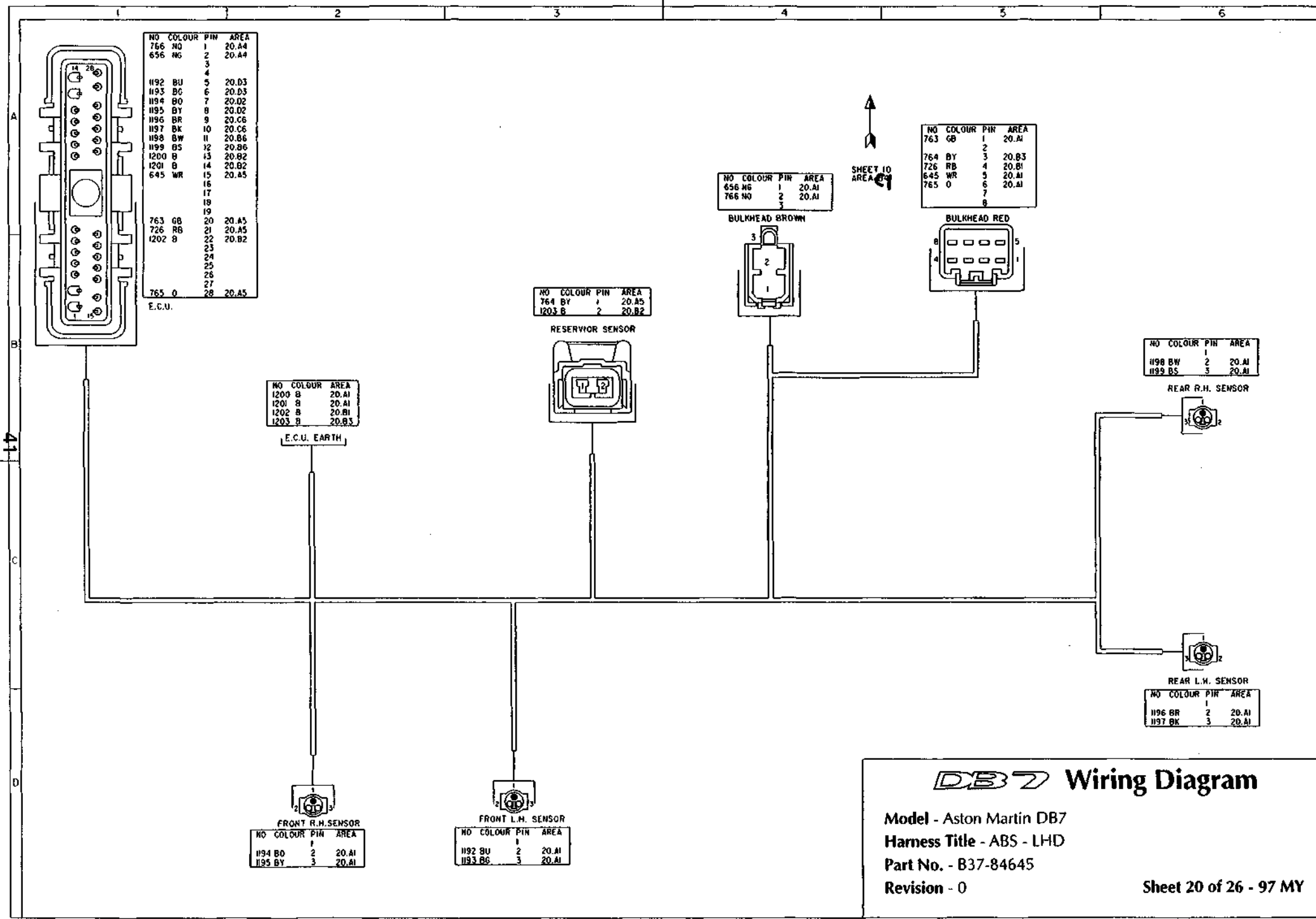
DB7 Wiring Diagram

Model - Aston Martin DB7 Volante
 Harness Title - Hood - 2
 Part No. - B37-84644
 Revision - 0

Sheet 20 Splices

No splices on sheet 20.





NO	COLOUR	PIN	AREA
756	NO	1	20.A4
656	NG	2	20.A4
		3	
		4	
1192	BU	5	20.D3
1193	BC	6	20.D3
1194	BO	7	20.D2
1195	BY	8	20.D2
1196	BR	9	20.C6
1197	BK	10	20.C6
1198	BW	11	20.B6
1199	BS	12	20.B6
1200	B	13	20.B2
1201	B	14	20.B2
645	WR	15	20.A5
		16	
		17	
		18	
		19	
763	GB	20	20.A5
726	RB	21	20.A5
1202	B	22	20.B2
		23	
		24	
		25	
		26	
		27	
765	O	28	20.A5

E.C.U.

NO	COLOUR	PIN	AREA
656	NG	1	20.A1
766	NO	2	20.A1
		3	

BULKHEAD BROWN

NO	COLOUR	PIN	AREA
763	GB	1	20.A1
		2	
764	BY	3	20.B3
726	RB	4	20.B1
645	WR	5	20.A1
765	O	6	20.A1
		7	
		8	

BULKHEAD RED

NO	COLOUR	PIN	AREA
764	BY	1	20.A5
1203	B	2	20.B2

RESERVIOR SENSOR

NO	COLOUR	AREA
1200	B	20.A1
1201	B	20.A1
1202	B	20.B1
1203	B	20.B3

E.C.U. EARTH

NO	COLOUR	PIN	AREA
1198	BW	1	20.A1
1199	BS	3	20.A1

REAR R.H. SENSOR

NO	COLOUR	PIN	AREA
1196	BR	1	20.A1
1197	BK	3	20.A1

REAR L.H. SENSOR

NO	COLOUR	PIN	AREA
1194	BO	1	20.A1
1195	BY	3	20.A1

FRONT R.H. SENSOR

NO	COLOUR	PIN	AREA
1192	BU	1	20.A1
1193	BC	2	20.A1
1193	BC	3	20.A1

FRONT L.H. SENSOR

DB7 Wiring Diagram

Model - Aston Martin DB7
 Harness Title - ABS - LHD
 Part No. - B37-84645
 Revision - 0

Sheet 21 Splices

Splice No **Wire Colour**
Wire No **Destination**

SPL 205 **Yellow**
383 21 - B6
1238 21 - A3
1252 21 - C5
1243 21 - A5

SPL 206 **Yellow/Green**
381 21 - B6
1251 21 - C5
1244 21 - A5

SPL 207 **Yellow/Blue**
382 21 - B6
1245 21 - A5
1254 21 - C5

SPL 208 **Yellow/Red**
1231 21 - C6
1239 21 - A3
1250 21 - C5

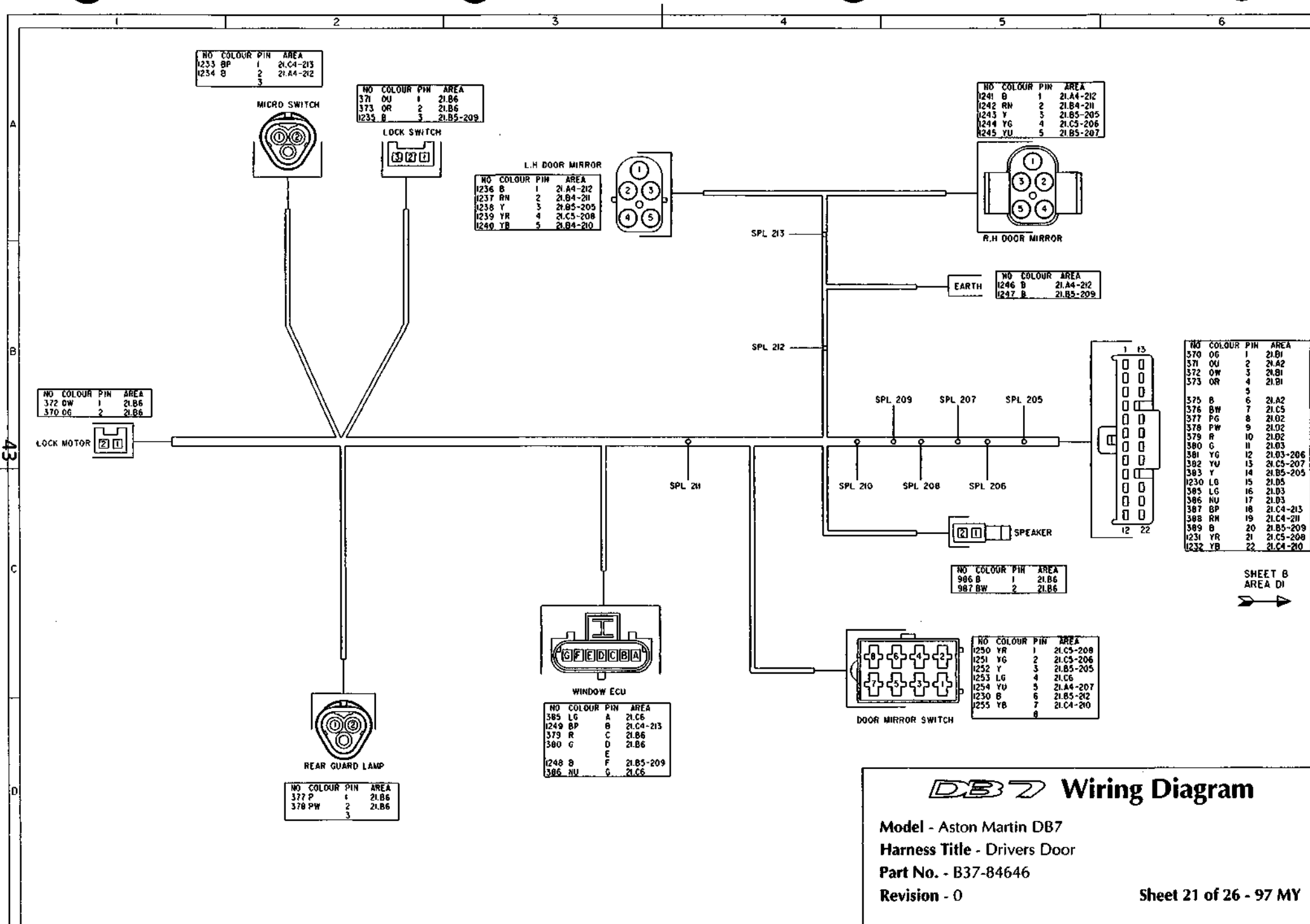
SPL 209 **Black**
389 21 - C6
1237 21 - B5
1235 21 - A2
1248 21 - D3

SPL 210 **Yellow/Black**
1232 21 - C6
1255 21 - D5
1240 21 - A3

SPL 211 **Red/Brown**
388 21 - C6
1242 21 - A5
1237 21 - A3

SPL 212 **Black**
1241 21 - A5
1246 21 - B5
1236 21 - A3
1234 21 - A1
1230 21 - D5

SPL 213 **Black/Purple**
387 21 - C6
1249 21 - D3
1233 21 - A1



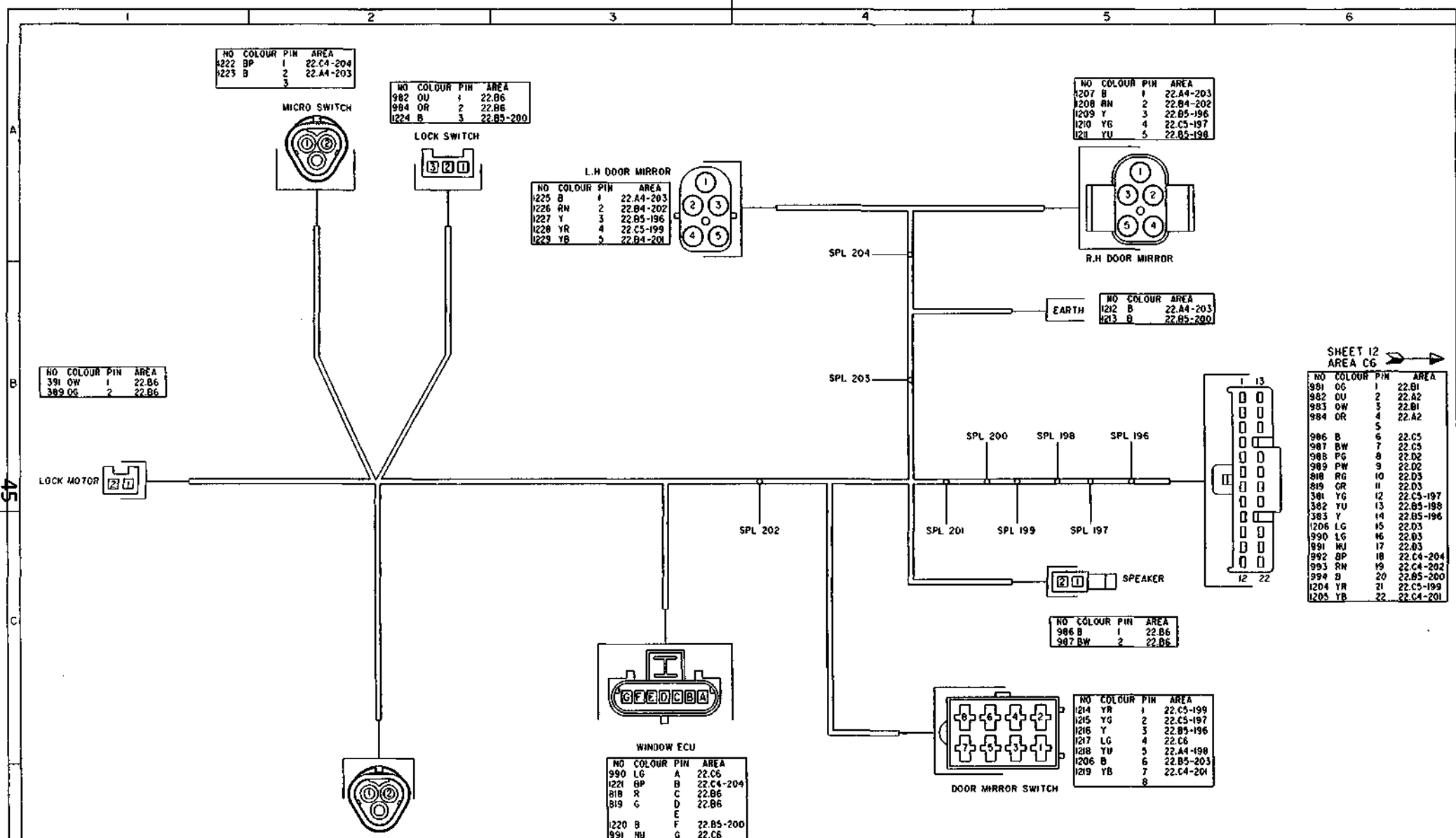
DB7 Wiring Diagram

Model - Aston Martin DB7
 Harness Title - Drivers Door
 Part No. - B37-84646
 Revision - 0

Sheet 22 Splices

Splice No Wire No	Wire Colour Destination	SPL 200	Black
		1224	22 - A2
		1220	22 - D3
		1213	22 - B5
SPL 196	Yellow	SPL 201	Yellow/Black
1209	22 - A5	1205	22 - C6
1227	22 - A3	1219	22 - D5
1216	22 - C5	1229	22 - A3
383	22 - C6		
SPL 197	Yellow/Green	SPL 202	Red/Brown
1210	22 - A5	1208	22 - A5
1215	22 - C5	1226	22 - A3
381	22 - B6	993	22 - C6
SPL 198	Yellow/Blue	SPL 203	Black
1211	22 - A5	1207	22 - A5
1218	22 - C5	1212	22 - B5
382	22 - B6	1206	22 - C5
		1225	22 - A3
		1223	22 - A1
SPL 199	Yellow/Red	SPL 204	Black/Purple
1204	22 - C6	1222	22 - A1
1214	22 - C5	1221	22 - D3
1228	22 - A3	992	22 - C6

42



NO	COLOUR	PIN	AREA
1222	BP	1	22.C4-204
1223	B	2	22.A4-203
		3	

NO	COLOUR	PIN	AREA
982	OU	1	22.B6
984	OR	2	22.B6
1224	B	3	22.B5-200

NO	COLOUR	PIN	AREA
1207	B	1	22.A4-203
1208	RN	2	22.B4-202
1209	Y	3	22.C5-196
1210	YG	4	22.C5-197
1211	YU	5	22.B5-198

NO	COLOUR	PIN	AREA
1225	B	1	22.A4-203
1226	RN	2	22.B4-202
1227	Y	3	22.B5-196
1228	YR	4	22.C5-199
1229	YG	5	22.B4-201

NO	COLOUR	PIN	AREA
391	OW	1	22.B6
389	OG	2	22.B6

SHEET 12
AREA C6

NO	COLOUR	PIN	AREA
981	OC	1	22.B1
982	OU	2	22.A2
983	OW	3	22.B1
984	OR	4	22.A2
		5	
986	B	6	22.C5
987	BW	7	22.C5
988	PG	8	22.O2
989	PW	9	22.O2
818	RG	10	22.O3
819	OR	11	22.O3
381	YG	12	22.C5-197
382	YU	13	22.B5-198
383	Y	14	22.B5-196
1206	LG	15	22.O3
990	LG	16	22.O3
991	MJ	17	22.O3
992	BP	18	22.C4-204
993	RN	19	22.C4-202
994	B	20	22.B5-200
1204	YR	21	22.C5-199
1205	YB	22	22.C4-201

NO	COLOUR	PIN	AREA
986	B	1	22.B6
987	BW	2	22.B6

NO	COLOUR	PIN	AREA
1214	YR	1	22.C5-199
1215	YG	2	22.C5-197
1216	Y	3	22.B5-196
1217	LG	4	22.C6
1218	YU	5	22.A4-198
1206	B	6	22.B5-203
1219	YB	7	22.C4-201
		8	

NO	COLOUR	PIN	AREA
990	LG	A	22.C6
1221	BP	B	22.C4-204
818	R	C	22.B6
819	G	D	22.B6
		E	
1220	B	F	22.B5-200
991	MJ	G	22.C6

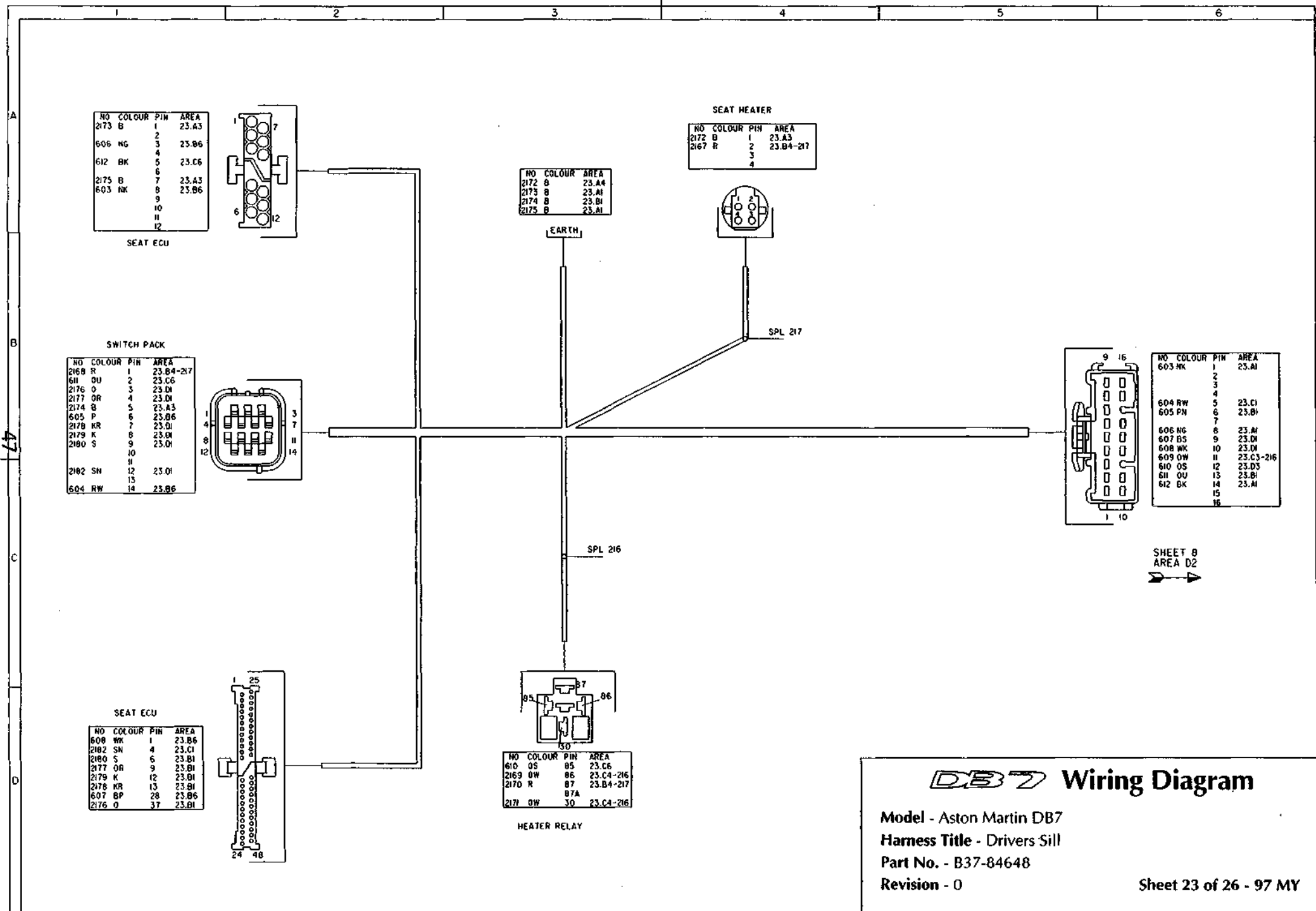
DB7 Wiring Diagram

Model - Aston Martin DB7
 Harness Title - Passengers Door
 Part No. - B37-84647
 Revision - 0

Sheet 22 of 26 - 97 MY

Sheet 23 Splices

Splice No	Wire Colour
Wire No	Destination
SPL 216	Orange/White
609	23 - B6
2169	23 - D3
2171	23 - D3
SPL 217	Red
2167	23 - A4
2168	23 - B1
2170	23 - B3



NO	COLOUR	PIN	AREA
2173	B	1	23.A3
606	NG	2	23.B6
612	BK	3	23.C6
		4	
2175	B	5	23.A3
603	NK	6	23.B6
		7	
		8	
		9	
		10	
		11	
		12	

SEAT ECU

SEAT HEATER

NO	COLOUR	PIN	AREA
2172	B	1	23.A3
2167	R	2	23.B4-217
		3	
		4	

NO	COLOUR	AREA
2172	B	23.A4
2173	B	23.A1
2174	B	23.B1
2175	B	23.A1

EARTH

SPL 217

SWITCH PACK

NO	COLOUR	PIN	AREA
2169	R	1	23.B4-217
611	OU	2	23.C6
2176	O	3	23.D1
2177	OR	4	23.D1
2174	B	5	23.A3
605	P	6	23.B6
2178	KR	7	23.D1
2179	K	8	23.D1
2180	S	9	23.D1
		10	
		11	
2182	SN	12	23.D1
		13	
604	RW	14	23.B6

NO	COLOUR	PIN	AREA
603	NK	1	23.A1
		2	
		3	
		4	
604	RW	5	23.C1
605	PN	6	23.B1
		7	
606	NG	8	23.A1
607	BS	9	23.D1
608	WK	10	23.D1
609	OW	11	23.C3-216
610	OS	12	23.D3
611	OU	13	23.B1
612	BK	14	23.A1
		15	
		16	

SHEET 8
AREA D2

SPL 216

SEAT ECU

NO	COLOUR	PIN	AREA
608	WK	1	23.B6
2182	SN	4	23.C1
2180	S	6	23.B1
2177	OR	9	23.D1
2179	K	12	23.D1
2178	KR	13	23.D1
607	BP	28	23.B6
2176	O	37	23.D1

NO	COLOUR	PIN	AREA
610	OS	85	23.C6
2169	OW	86	23.C4-216
2170	R	87	23.B4-217
		87A	
2171	OW	10	23.C4-216

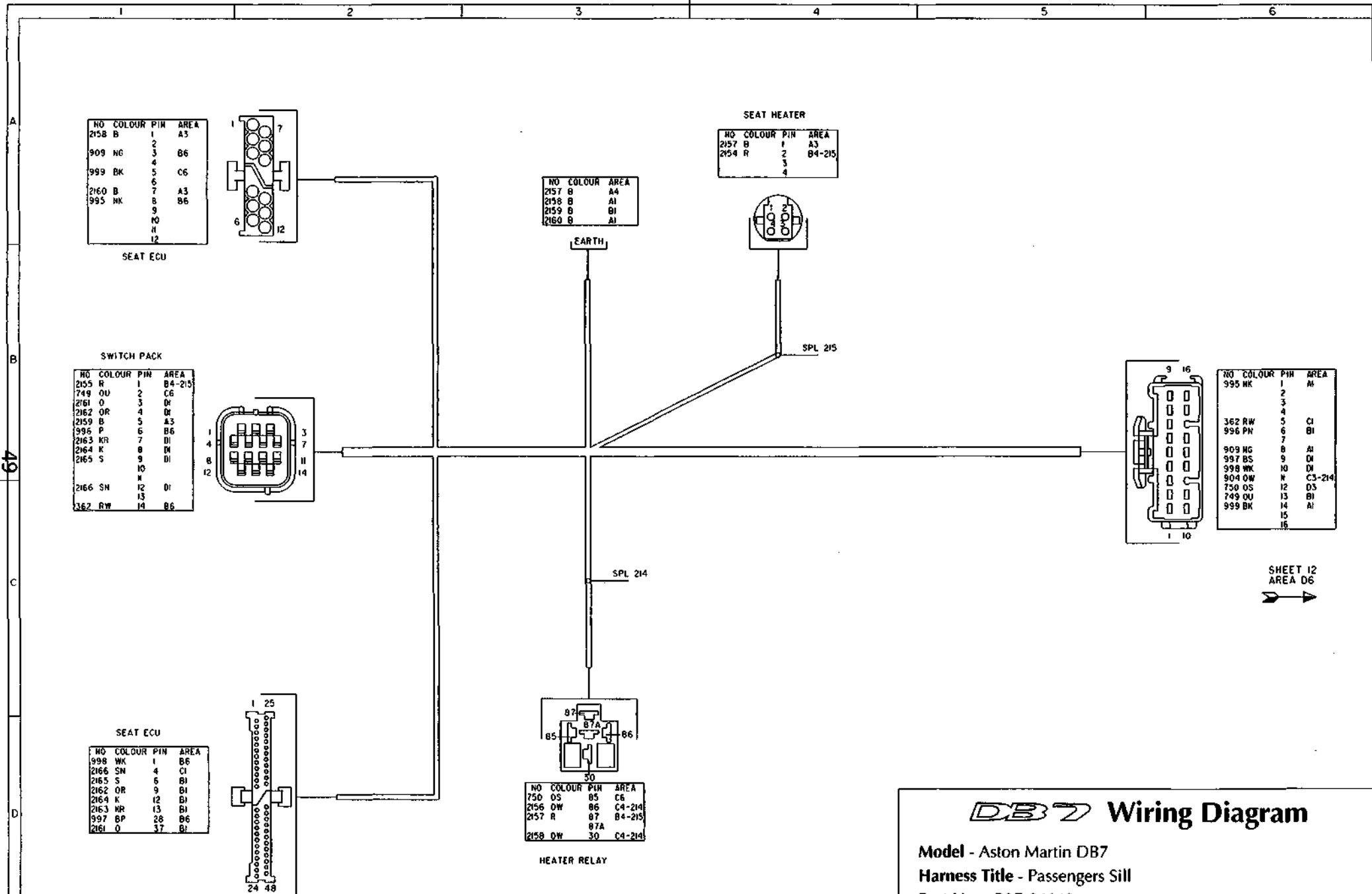
HEATER RELAY

DB7 Wiring Diagram

Model - Aston Martin DB7
 Harness Title - Drivers Sill
 Part No. - B37-84648
 Revision - 0

Sheet 24 Splices

Splice No	Wire Colour
Wire No	Destination
SPL 216	Orange/White
904	24 - B6
2156	24 - D3
2158	24 - D3
SPL 217	Red
2154	24 - A4
2155	24 - B1
2157	24 - D3



NO	COLOUR	PIN	AREA
2158	B	1	A3
909	NG	2	B6
999	BK	4	C6
		5	C6
2160	B	7	A3
995	NK	8	B6
		9	
		10	
		11	
		12	

SEAT ECU

NO	COLOUR	PIN	AREA
2157	B	1	A3
2154	R	2	B4-215
		3	
		4	

SEAT HEATER

NO	COLOUR	AREA
2157	B	A4
2158	B	A1
2159	B	B1
2160	B	A1

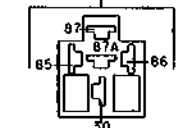
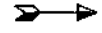
EARTH

NO	COLOUR	PIN	AREA
2155	R	1	B4-215
749	OU	2	C6
2161	O	3	D1
2162	OR	4	D1
2159	B	5	A3
996	P	6	B6
2163	KR	7	D1
2164	K	8	D1
2165	S	9	D1
		10	
2166	SN	12	D1
		13	
362	RW	14	B6

SWITCH PACK

NO	COLOUR	PIN	AREA
995	WK	1	M
		2	
		3	
		4	
362	RW	5	C1
996	PN	6	B1
		7	
909	NG	8	A1
997	BS	9	D1
998	WK	10	D1
904	OW	11	C3-214
750	OS	12	O3
749	OU	13	B1
999	BK	14	A1
		15	
		16	

SHEET 12
AREA D6



NO	COLOUR	PIN	AREA
750	OS	85	C6
2156	OW	86	C4-214
2157	R	87	B4-215
		87A	
2158	OW	30	C4-214

HEATER RELAY

DB7 Wiring Diagram

Model - Aston Martin DB7

Harness Title - Passengers Sill

Part No. - B37-84649

Revision - 0

Sheet 24 of 26 - 97 MY

Sheet 25 Splices

No splices on sheet 25.

1 2 3 4 5 6

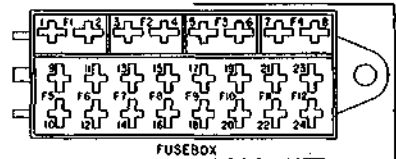
A

B

C

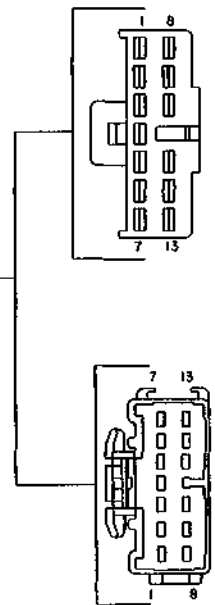
D

51



NO	COLOUR	PIN	AREA
U25	H	1	13.C6
U06	MP	2	13.B6
U26	G	3	13.C6
U09	G	4	13.B6
U27	G	5	13.C6
U07	G	6	13.B6
U28	H	7	13.C6
U29	MP	8	13.B6
U30	H	9	13.C6
U15	NS	10	13.B6
U72	RS	11	13.C6
U31	RS	12	13.B6

NO	COLOUR	PIN	AREA
U75	RG	13	13.C6
U32	RG	14	13.B6
U33	G	15	13.C6
U34	WK	16	13.B6
U35	N	17	13.C6
U36	NS	18	13.B6
U37	G	19	13.C6
U00	H	20	13.B6
U38	H	21	13.C6
U39	MP	22	13.B6
U40	H	23	13.C6
U04	NP	24	13.B6



NO	COLOUR	PIN	AREA
U06	MP	1	27.C1
U09	G	2	27.C6
U07	G	3	27.C1
U29	NP	4	27.C1
U15	NS	5	27.C1
U31	RS	6	27.C1
U32	RG	7	27.C2
U34	WK	8	27.C2
U36	NS	9	27.C2
U00	H	10	27.C2
U39	MP	11	27.C2
U04	NP	12	27.C2
		13	

SHEET 17
AREA DI
→

NO	COLOUR	PIN	AREA
U25	H	1	27.C1
U26	G	2	27.C1
U27	G	3	27.C1
U28	N	4	27.C1
U30	N	5	27.C1
U72	RS	6	27.C1
U75	RG	7	27.C2
U33	G	8	27.C2
U35	N	9	27.C2
U37	C	10	27.C2
U38	H	11	27.C2
U40	H	12	27.C2
		13	

DB7 Wiring Diagram

Model - Aston Martin DB7
 Harness Title - Boot Fusebox
 Part No. - B37-84650
 Revision - 0

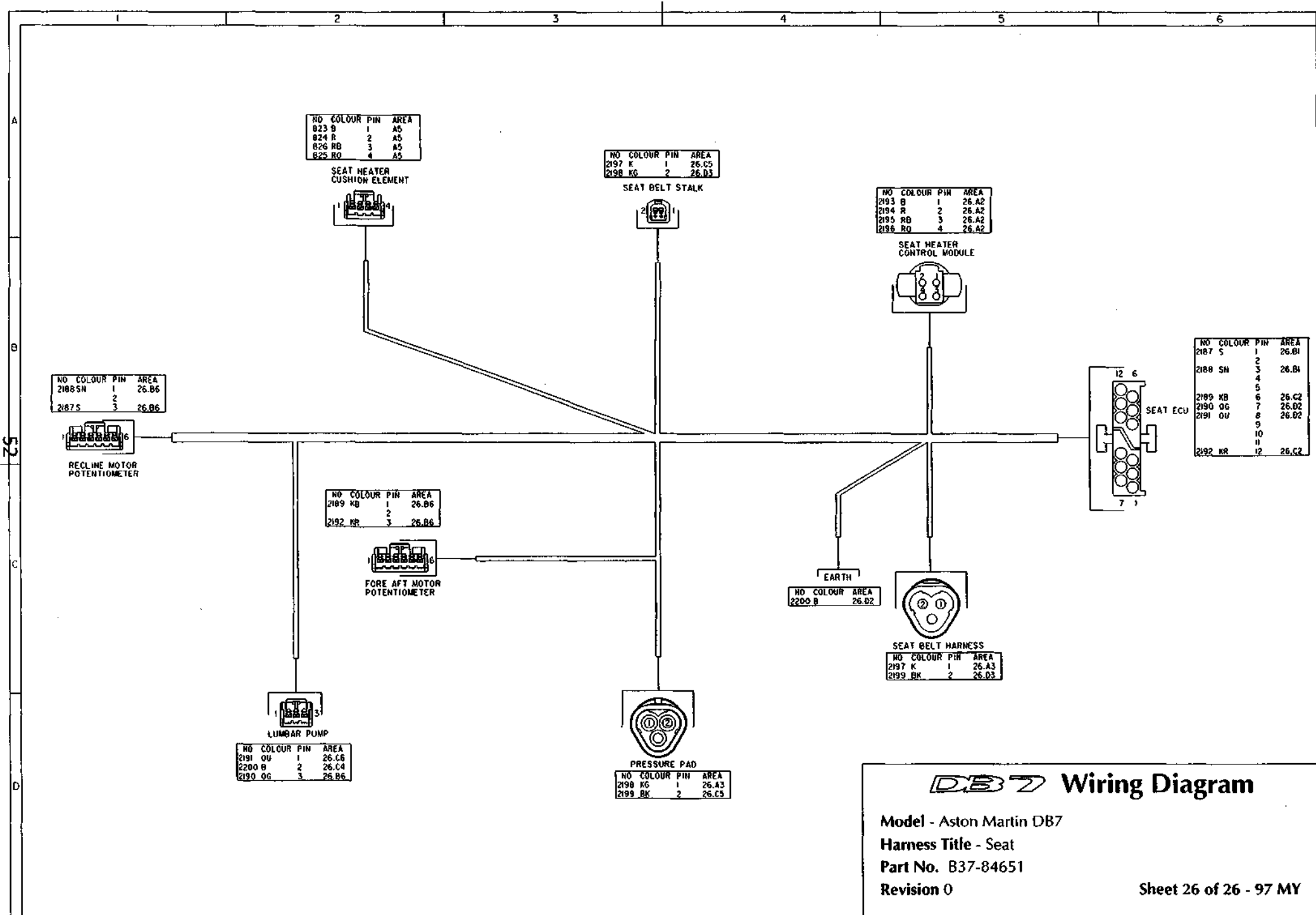
Sheet 25 of 26 - 97 MY

Sheet 26 Splices

No splices on sheet 26.

50





DB7 Wiring Diagram

Model - Aston Martin DB7

Harness Title - Seat

Part No. B37-84651

Revision 0

Sheet 26 of 26 - 97 MY

Airbag (Supplementary Restraint System)

Repair Procedures

Description

Two airbags are fitted to the 97 model year DB7. The drivers airbag is located in the centre of the steering wheel (Fig 1-1), the passenger airbag is located behind the fascia panel (Fig 1-2).

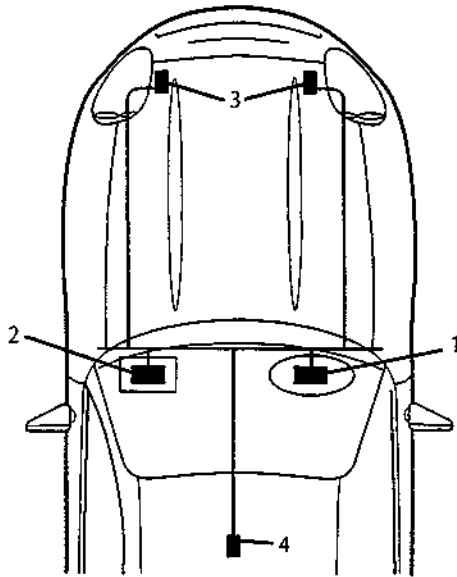


Figure 1. Airbag Locations

The following procedures and safety precautions must be adhered to while handling, installing and testing airbag modules. Failure to observe these precautions could cause the airbag to inadvertently deploy with the risk of personal injury.

The procedures and precautionary guidelines conform to the 'Handling and storage - The Explosives Act 1875 & 1923' and to the 'Health and Safety at Work Act - 1974' or local guidelines as appropriate.

Safety Precautions and Warnings

Handling Undeployed Airbags

The electrically actuated airbag module contains sodium azide and sodium nitrate which are poisonous and extremely flammable substances.

Their contact with acid, water or heavy metals may produce harmful, irritant gases or combustible compounds.

The airbag module is non-serviceable and must not be dismantled, punctured, incinerated or welded.

WARNING: Do not attempt any repairs or electrical measurements on the airbag module.

Never measure the resistance of the airbag module, as this may cause the airbag to deploy. Suspect modules must be returned to Aston Martin Lagonda Limited, or their importer for replacement.

Tampering or mishandling can result in personal injury.

Keep away from heat, sparks and open flames. Do not store at temperatures exceeding 93°C (200°F).

Keep away from electrical equipment as electrical contact may cause ignition.

Do not drop or impact the airbag module. Always position the module 'cover-up'.

Ensure that the module connector is protected to prevent damage. Never carry the airbag module by the wires or connector.

Store modules in a secure lockable cabinet.

Never position material over the undeployed module which could be projected and cause injury in the event of inadvertent deployment.

Do not wrap arms around the module when carrying and always carry the module with the cover and vents facing away from the body to avoid personal injury in the event of inadvertent deployment.

The chemical propellant mixture deploying the airbag is a solid and therefore inhalation exposure is unlikely even if the module is ruptured without deployment.

As far as practical, avoid skin contact with, or ingestion of, the materials present after combustion. Exposure to high concentrations of propellant mixture may cause headache, nausea, blurred vision, faintness, cyanosis, lowering of blood pressure, tachycardia and shortness of breath.

WARNING: Sodium azide has been listed as an 'Extraordinary Hazardous Substance or Carcinogen' by the state of Massachusetts, USA. Sodium azide has been listed on the 'Right to Know Hazardous Substance List' by the state of New Jersey and is also regarded as a 'Special Health Hazard Substance' by the state. The propellant mixture is sensitive to premature ignition by electrical sources if not properly protected and isolated.

Emergency First Aid Procedures

If the airbag is ruptured without deployment and exposure to the propellant mixture occurs, observe the following first-aid treatments:

- Ingestion - Do not induce vomiting and seek prompt medical attention.
- Skin contact - Immediately wash skin with soap and water and seek medical attention.
- Eyes - Immediately flush eyes with water for at least 20 minutes and seek prompt medical attention.
- Inhalation - Immediately move victim to fresh air and seek medical attention.
- Physical trauma, e.g. burns, abrasions, or impact due to premature ignition or deployment of the inflator assembly - Treat symptomatically and seek prompt medical attention.

Safety Procedures

Handling Deployed (Fired) Modules

See 'Emergency First Aid Procedures'

Prevent contact of the inflator with liquids, combustibles and flammable materials. Failure to follow these instructions could result in chemical burns and personal injury.

Ensure that the modules are cool before handling.

After deployment, the airbag surface contains small deposits of sodium hydroxide which can cause irritation to the skin and eyes.

When handling deployed airbags, always wear rubber gloves to BS 1651 grade 2 or equivalent, and chemical resistant goggles to BS 2092 grade 2 or equivalent.

After handling deployed airbags, immediately wash hands and exposed skin surface areas with mild soap and water.

Handling Undeployed Damaged Modules

The material inside the module is hermetically sealed and is completely consumed during deployment.

No attempt should be made to open the module as this leads to a risk of exposure to sodium azide.

In the unlikely event of a gas generator being damaged, it must be examined by trained personnel before any attempt is made to remove and/or deploy.

Full protective clothing must be worn when dealing with any spillage.

Ruptured units must be stored away from acids, halogens, heavy metals and metal salts. Damaged units may produce hydrazoic acid if exposed to liquids.

Failure to comply with these instructions may result in fire, noxious fumes and severe personal injury or death.

Fire Hazard Information

Thermal decomposition or combustion may produce dense smoke and other dangerous fumes which in fire situations form a highly toxic explosive.

In the event of a fire, the surrounding area must be evacuated and all personnel kept well upwind of the area.

Full fire fighting protective gear and a self contained breathing apparatus operating in positive pressure mode must be worn for combating fire. Material near the fire must be cooled with water spray to prevent ignition.

Fires should be allowed to burn themselves out if not threatening to life or property. If fire is threatening to life or property, use copious quantities of water to extinguish.

Ventilation

Local exhaust ventilation designed by a professional engineer should be provided if vapours, fumes or dusts are generated whilst working with the airbag module.

Respiratory Precautions

To prevent the inhalation of dangerous fumes and dusts, an approved mask should be worn.

Eye Protection

Chemical protective goggles are recommended where there is a possibility of eye contact with the propellant. Safety glasses with side shields are recommended for all other operations.

Protective Clothing

Approved protective gloves, overalls and shoes/boots should be worn.

Handling and Storage Precautions

Do not store airbag modules near live electrical equipment or circuitry. Store in a dry environment at ambient temperatures.

Good housekeeping and engineering practices should be employed to prevent the generation and accumulation of dusts. Store in compliance with all local state and federal regulations.

Driver and Passenger Airbag Modules**Assembly/Removal/Service Instructions**

WARNING: *In the event of a vehicle impact where the airbags and the seatbelt pretensioner (if fitted) are deployed, the following actions MUST be performed:*

Check the condition of the seatbelts, steering wheel, steering column, all connections to airbags, and the column switchgear connectors for integrity and damage. If in any doubt, replace suspected parts for new parts.

Replace both crash sensors, the safing sensor and the seatbelt pretensioner module (if fitted).

On completion of all repair procedures, switch on the ignition and check that the Airbag/SRS warning light comes on when the ignition is switched on and extinguishes after approximately six seconds indicating satisfactory completion of the airbag and pretensioner system self tests.

WARNING: *Before starting work, ensure that the ignition switch is in position 'O' and the ignition key is removed. Disconnect the battery negative lead within 12 seconds of switching off the ignition to prevent the alarm system triggering.*

As the airbag control module is equipped with a back-up power source and due to the risk of the airbag being inadvertently deployed, wait one minute or longer after disconnecting the battery before starting work on the airbag module.

- Disconnecting the battery negative cable cancels the memory for the 'one-touch' window down system and stops the vehicle clock. Reset the window memory and the clock when work is completed.
- Never use airbags from other vehicles, always use new parts.
- After work is completed, reconnect the battery and perform the airbag warning light check
- Never use electrical probes to check voltage or electrical resistance of the airbag modules.
- Disconnect the airbag before carrying out any work on, or in the vicinity of the module, or when using electric welding equipment.
- Always ensure that the battery negative lead has been disconnected for at least one minute before commencing any removal procedure.

Spillage and Leakage

If material is spilled or released, contact Aston Martin Technical Support for advice on clean-up procedures. All personnel must be kept away from the contaminated area.

Do not dispose of contaminated propellant or water into storm or sanitary sewers, ground water or soil.

Spills may be reportable to state and/or federal authorities.

Materials must be disposed of by incineration or chemical oxidation under carefully controlled conditions by specially trained individuals and in accordance with local state and federal regulations.

Scrapping Vehicles with Live Airbags

When scrapping a vehicle with live airbags, first deploy the airbags in accordance with the following procedure. This procedure assumes that the airbag wiring is undamaged

See Handling/Safety Information.

If the airbags are to be removed, see the airbag module assembly/removal/servicing instructions.

Equipment required:

- Four insulation displacement connectors (scotchlocks).
- Charged 'slave' battery.
- Two 10 metre lengths of 1mm² wire fitted with crocodile clips on one end.

Procedure

WARNING: The deployment procedure must be carried out outdoors away from other personnel.

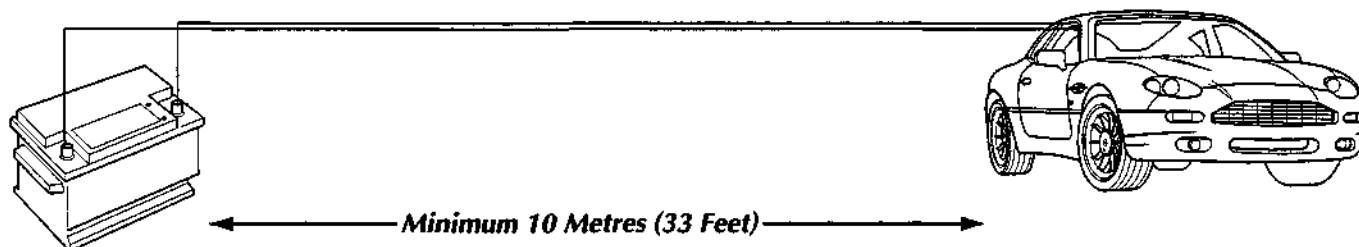
1. Remove any loose debris from around the airbag modules and ensure that no flammable liquids are present.
2. Disconnect the vehicle battery.

WARNING: Always connect to the airbag first, as the bag will deploy immediately on connection to the battery.

3. Remove the passenger side airbag deployment door and underscuttle panel.
4. Remove the drivers side underscuttle panel.
5. Disconnect the airbag connector for the spiral cassette under the fascia and at the wire (drivers side).
6. Locate the harness connectors and cut the wires leading from the airbag just above the mating plug (passengers side).

Note: The harness connected between the driver's airbag and the connector has one red feed wire and one grey/orange return wire. The harness connected between the passenger's airbag and the connector has one blue/orange feed wire and one pink/black return wire.

WARNING: Make the battery connections last.
The airbag will deploy as the battery connections are made.



7. Pass the cut ends of the two 10 metre (33ft) link wires through an open window and connect using two scotchlocks to the feed and return wires for one airbag.
8. Close the vehicle doors and leave the window with the link wires open.
9. Check that no personnel are in the car or in the area around the car. Warn personnel in adjacent areas of the impending airbag deployment.
10. Move back 10 metres (33ft) and connect the link harness crocodile clips to the positive and negative terminals of the slave battery; the airbag will deploy immediately.
11. Allow the deployed unit to cool for at least 20 minutes and monitor continuously to ensure that the heat generated during deployment does not create a fire with spilled liquids or other debris.
12. Using all appropriate safety precautions (see all warnings and precautions after the 'Safety Precautions and Warnings' Heading), enter the vehicle and cut the link harness wires from the deployed airbag.
13. Using two new scotchlocks, connect the link harness to the feed and return wires for the second airbag and deploy it by repeating steps 7 to 11 of this procedure.
14. The vehicle may now be scrapped in the normal manner with the deployed airbag modules installed.
15. In the event of any problems or queries, contact Aston Martin Lagonda Limited - Technical Services Department.

Scrapping Vehicles with Deployed Airbags

When scrapping a vehicle with a deployed airbag, first check that all installed airbags have been deployed or removed.

In the event that only one airbag has been deployed, it must be assumed that the second airbag is still live and therefore must be treated using the 'Scrapping Vehicles with Live Airbags' procedure.

When it is verified that both airbags have been deployed or removed, the vehicle may be scrapped in the normal manner.

Disposal of Live Airbags

Modules removed/renewed by Aston Martin dealers are to be deployed using the following procedure.

WARNING: Never use a customer's vehicle to deploy airbags.

Equipment Required:

Link harness
'Slave' battery
Safety goggles to BS 2092 grade 2 or equivalent
Rubber gloves to PrEN 374 class 2 or equivalent
Ear protectors
Particulate respirator to EN 149 grade FFP 25
Deployment cage

Note: If you do not have access to a deployment cage, please contact Aston Martin Lagonda Limited Technical Support Department for advice.

Procedure

This procedure must be performed outdoors, away from other personnel.

1. Remove any loose debris from around the airbag and ensure that no flammable liquids are present.
2. Assemble the disposal cabinet and fit the airbag as shown in figure 1 in line with the following procedures:
 - a) Remove the mesh guard from the rig frame.
 - b) Attach the guard to the frame by bolting the hinges to the frame.
 - c) Ensure the relevant plate is fitted and rotate into position.
 - d) Fit and secure the airbag module onto the plate.
 - e) Clamp the plate down using the two toggle clamps.
 - f) Close the mesh guard.

Note: The harness connected between the driver's airbag and the connector has one red feed wire and one grey/orange return wire. The harness connected between the passenger's airbag and the connector has one blue/orange feed wire and one pink/black return wire.

3. Connect the 10 metre (33ft) link harness to the airbag.
4. Ensure that no personnel are in the vicinity of the cabinet.

5. Move 10 metres (33ft) and connect the link harness crocodile clips to the 'slave' battery; the airbag will deploy immediately.
6. Allow the unit to cool for at least 20 minutes.
7. Open the mesh guard and remove the deployed airbag module.

Note: Should the design of your deployment cage differ from that described above, please contact the cage manufacturer for advice on mounting the airbag.

8. Seal the deployed module into a plastic bag ready for disposal.
9. In the event of any problems or queries, contact Aston Martin Lagonda Limited - Technical Services Department.

Disposal of Deployed Airbags

Deployed airbags are to be disposed of as special waste and disposal must comply with local environmental requirements. If in any doubt, contact the local authority for disposal instructions.

Note: The storage, transportation, disposal and/or recycling of airbag module components must be performed in accordance with all applicable federal, state and local regulations including, but not limited to, those governing building and fire codes, environmental protection, occupational health and safety and transportation.

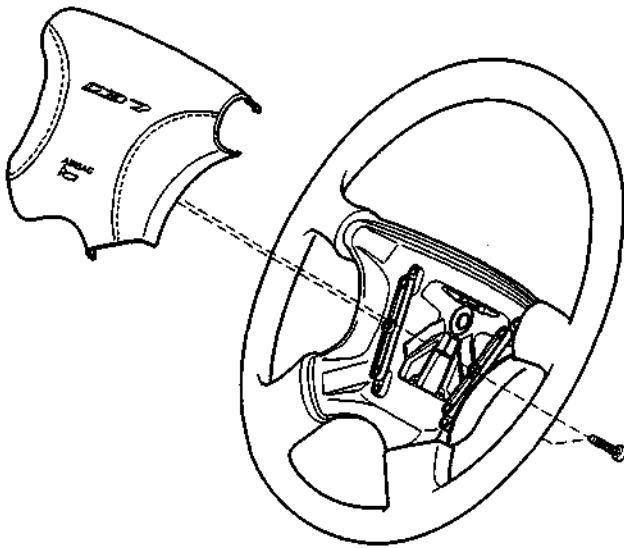
Modules removed and deployed by Aston Martin Dealers are to be returned to Aston Martin Lagonda Limited for disposal following prior consultation.

4.5.01.3 Driver's Airbag Module Renew

Read and adhere to all warnings and safety procedures quoted at the start of this section when working on airbag modules.

1. Ensure that the steering system is centralised and that the steering wheel is in the lowest tilt position.
2. Disconnect the vehicle battery and insulate the battery lead to avoid accidental reconnection. Wait for at least one minute before proceeding with work on the removal of the airbag.

Note: The vehicle battery must be disconnected within 12 seconds of switching off the ignition to avoid the alarm siren sounding.



3. Insert the ignition key and turn to position I. Turn the steering wheel to the left, 90° from its straight ahead position, and loosen the first module securing torx screw.
4. Turn the steering wheel 180° to the right and loosen the second module securing torx screw.

5. Carefully remove the module from the steering wheel and disconnect the airbag module multi-plug.
6. To ensure personal safety, double check that the battery is still disconnected and the battery lead safely insulated. Connect the new airbag module multi-plug. Fit and align the new module to the steering wheel and tighten the two securing torx screws. Return the steering to the straight ahead position.
7. Remove the battery lead insulation and reconnect the battery lead.

Note: The vehicle clock and the window control unit will need resetting after completion of this procedure.

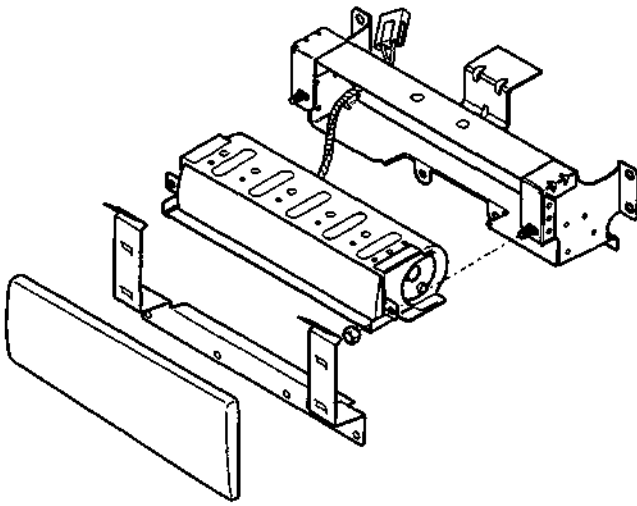
8. Switch on the ignition and check that the airbag warning light comes on when the ignition is switched on and extinguishes after approximately six seconds indicating satisfactory completion of the airbag system self tests.

7.8.02.6 Passenger's Airbag Module Renew

Read and adhere to all warnings and safety procedures quoted at the start of this section when working on airbag modules.

1. Disconnect the battery and wait for at least one minute before proceeding with the airbag removal.

Note: The vehicle battery must be disconnected within 12 seconds of switching off the ignition to avoid the alarm siren sounding.



2. Open the passenger airbag deployment door.
3. Release four nuts and remove the airbag module.
4. Disconnect the airbag harness multi-plug.
5. Connect and fit the new module and secure with four nuts.
6. Refit the airbag deployment door.

Note: The vehicle clock and the window control unit will need resetting after completion of this procedure.

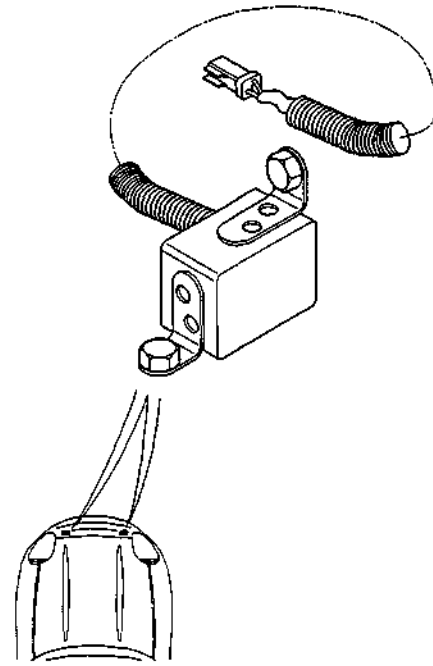
7. Reconnect the battery. Switch on the ignition and check that the airbag warning light comes on when the ignition is switched on and extinguishes after approximately six seconds indicating satisfactory completion of the airbag system self tests.

6.1.23.1/6.2.10.1 Airbag Crash Sensors Renew

Read and adhere to all warnings and safety procedures quoted at the start of this section when working on the airbag system.

1. Disconnect the battery and wait for at least one minute before working on the airbag system.

Note: The vehicle battery must be disconnected within 12 seconds of switching off the ignition to avoid the alarm siren sounding.



2. Raise the vehicle on a ramp and remove the relevant front roadwheel and wheel arch liner.
3. Disconnect the sensor connector and feed the protected loom forward through the body aperture.
4. Open the bonnet and release two bolts securing the crash sensor to the body.
5. Fit and secure the new sensor and feed the sensor loom back through the body aperture.
6. Reconnect the sensor. Refit the wheel arch liner and the roadwheel.

Note: The vehicle clock and the window control unit will need resetting after completion of this procedure.

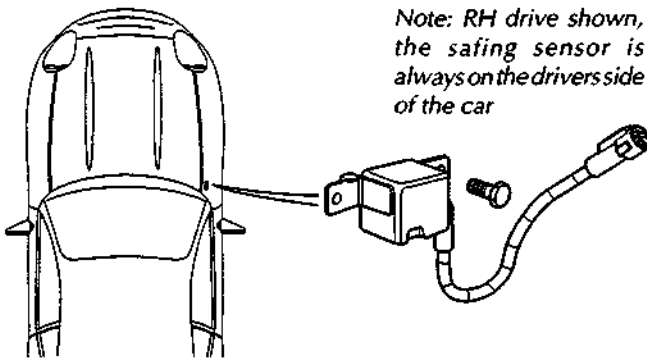
7. Reconnect the battery, switch on the ignition and check that the airbag warning light comes on when the ignition is switched on and extinguishes after approximately six seconds indicating satisfactory completion of the airbag system self tests.

6.4.21.2 Airbag 'Safing' Sensor Renew

Read and adhere to all warnings and safety procedures quoted at the start of this section when working on the airbag system.

1. Disconnect the battery and wait for at least one minute before working on the airbag system.

Note: The vehicle battery must be disconnected within 12 seconds of switching off the ignition to avoid the alarm siren sounding.



2. Open the drivers door and remove the lower 'A' post trim.
3. Release two screws retaining the airbag safing sensor.
4. Disconnect and remove the airbag safing sensor.
5. Connect and secure the replacement sensor. Replace the 'A' post trim.

Note: The vehicle clock and the window control unit will need resetting after completion of this procedure.

6. Reconnect the battery, switch on the ignition and check that the airbag warning light comes on when the ignition is switched on and extinguishes after approximately six seconds indicating satisfactory completion of the airbag system self tests.

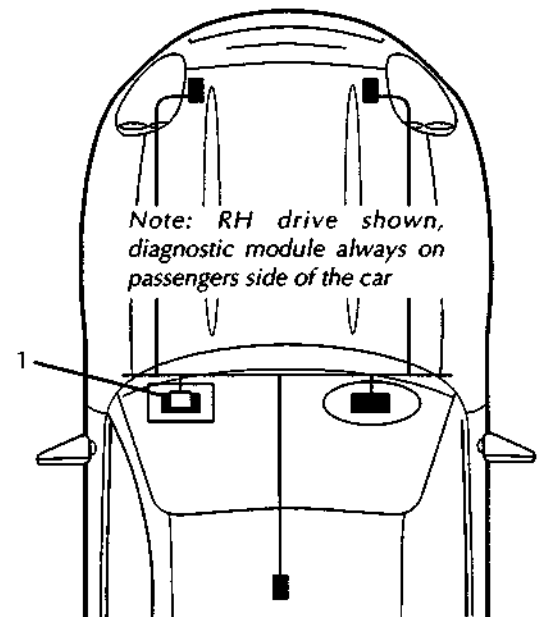
6.4.21.1 Airbag Diagnostic Module Renew

Read and adhere to all warnings and safety procedures quoted at the start of this section when working on the airbag system.

1. Disconnect the battery and wait for at least one minute before working on the airbag system.

Note: The vehicle battery must be disconnected within 12 seconds of switching off the ignition to avoid the alarm siren sounding.

2. Disarm the airbags (6.4.21.4).
3. Remove the facia assembly.



4. Disconnect the airbag control module (Fig 1-1). Release the module from the top of the airbag carrier assembly and remove the module.
5. Refit and secure the replacement airbag control module and connect the harness connector.
6. Refit the facia assembly.
7. Rearm the airbags (6.4.21.4).

Note: The vehicle clock and the window control unit will need resetting after completion of this procedure.

Airbag System Diagnostics

System Description

The airbag system installation comprises:

- Airbag Diagnostic Module
- Driver and passenger airbag modules
- Two front impact (crash) sensors
- One 'safing' sensor
- Dedicated wiring harness
- SRS indicator/warning lamp

The system is designed to provide protection for both driver and front seat passenger by automatically deploying airbags in the event of a collision during forward travel.

In the event of a collision, the crash and safing sensors will operate, completing the firing circuit and causing the airbags to inflate within 32 milliseconds. At least one crash sensor and the safing sensor must operate to fire the airbags.

Any faults in system components, installation or wiring will be indicated by a flashing code on the SRS/AIRBAG warning lamp. Fault code information may also be monitored using the PDU or scan tool.

Component Descriptions

Airbag Diagnostic Module

The airbag diagnostic module is mounted on top of the passenger airbag mounting cage. The diagnostic module contains the microprocessor which is connected to the complete airbag system. The state of the three system sensors, the two airbag modules and the wiring harness is constantly monitored by the microprocessor for faults and for sensor activation (crash) conditions.

The diagnostic module also confirms correct supply voltage by comparing a direct battery voltage input with a similar input via the ignition switch.

The diagnostic module contains a reserve power supply, enabling the airbags to fire even if the supply voltage is lost due to collision damage. The reserve power charge will be retained for approximately one minute if the positive battery supply is lost in a collision. An auxiliary internal circuit known as the 'dwell enhancer' provides a temporary ground if normal system ground was lost in a collision.

Wiring Harness

A dedicated electrical wiring harness is used to connect all system components to the bulkhead harness. To allow free movement of the steering mechanism, a cable reel cassette is used to connect the drivers airbag in the steering wheel to the airbag harness on the steering column.

Airbag Modules

The two airbag modules contain a charge of sodium azide/copper oxide which will generate a sufficient volume of nitrogen gas to fully inflate the airbag when ignited by an electrical impulse. The volume of gas is greater in the passenger side airbag due to its larger size.

Both airbag modules, including the surrounding trim of the drivers airbag, are non-serviceable and once deployed, must be renewed as a complete assembly.

Crash and Safing Sensors

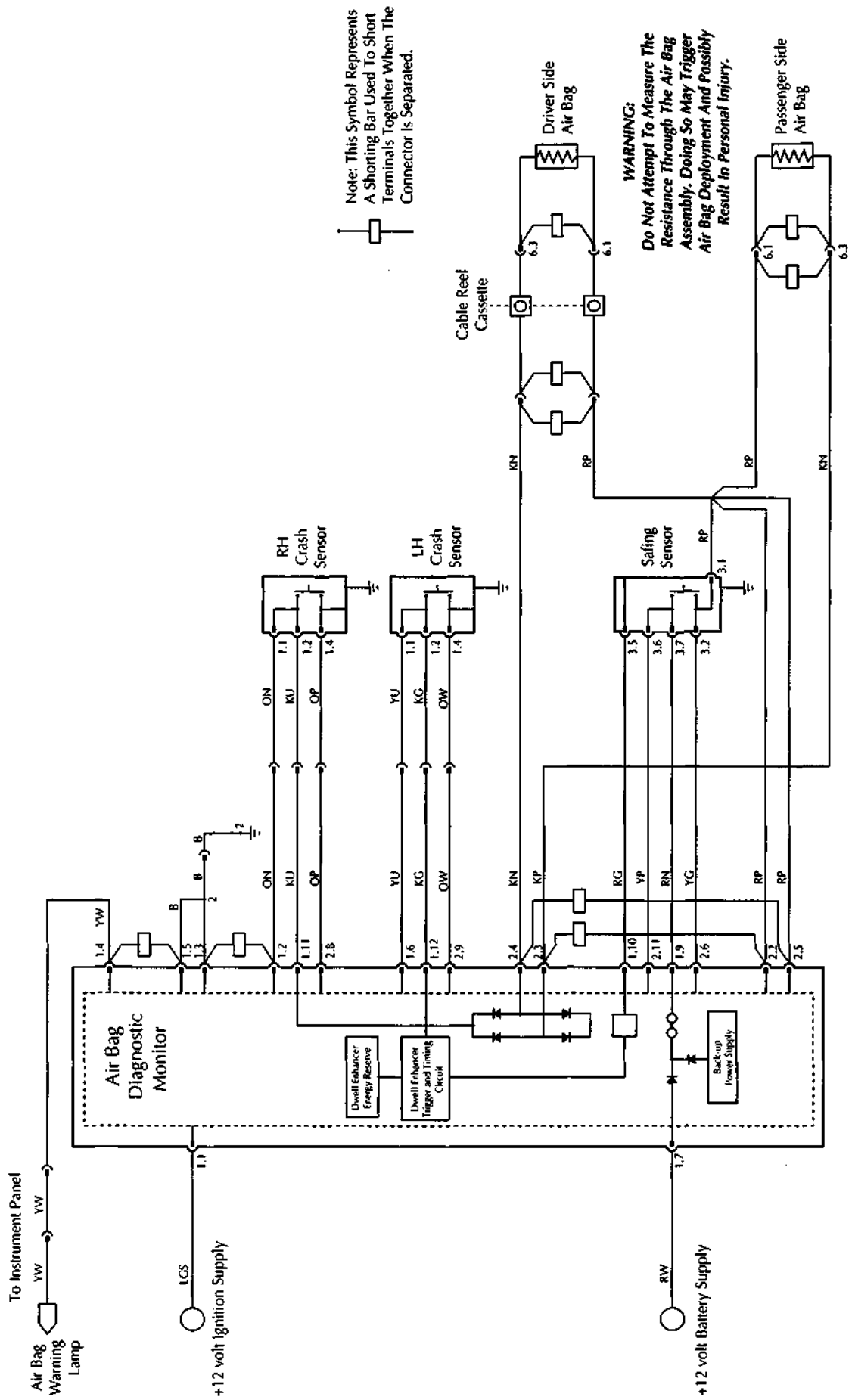
The two crash sensors are mounted one at either side of the bumper mounting cross member, outside of the bonnet hinges.

The safing sensor is mounted in the base of the drivers side 'A' post.

The two crash sensors and the safing sensor determine when airbag deployment is necessary in a crash condition.

The sensor contacts will only close when the vehicle suffers a forward impact of sufficient force. At least one crash sensor and the safing sensor contacts must close before the airbags will deploy. The double trigger strategy is used to prevent deployment during trivial impacts such as contacts during parking.

Air Bag System Wiring Diagram



6.4.21.4 Airbag Disarming/Arming Procedures

WARNINGS AND CAUTIONS:

WARNINGS:

Disarm the airbags by disconnecting the battery ground (black) lead, waiting one minute and then removing the airbag modules before servicing of any airbag or steering column component.

After disconnecting the battery ground lead, allow a minimum of one minute delay for the back-up power supply to discharge before servicing the airbag system.

The system components are non-serviceable, if faults are suspected, change components for new items only.

Failure to observe the above procedures may result in accidental deployment of the airbags.

Always wear safety glasses when working on airbag equipped vehicles.

Personnel carrying an airbag module must ensure that the module and trim cover are pointing away from the body. When positioning on a bench or work surface, ensure that the airbag module and trim cover face upwards to limit motion on accidental deployment.

Always wear gloves when handling deployed airbag modules. Deposits of sodium hydroxide may be present on the module surface. If sodium hydroxide contacts any area of the skin, wash the affected area immediately with mild soap and water. Dispose of the deployed airbag using the correct procedures referred to in this section.

Cautions:

When scrapping vehicles, ensure that the airbags have been deployed (see Scrapping Vehicles with Live Airbags).

If a component has been renewed and the fault does not clear, refit the original item and repeat the diagnostic procedure.

After servicing, repeat the diagnostic procedures to ensure correct system operation.

Renew the airbag module if the surrounding trim panels are damaged. Do not attempt to repaint trim covers as paint may damage cover material.

Disarming the Airbags

WARNING: Carry out the following disarming procedure before attempting any work on the vehicles electrical systems.

Note: The battery ground (black) lead must be disconnected within 12 seconds of switching off the ignition to avoid the alarm siren sounding.

1. Disconnect the battery ground lead. Allow a minimum of one minute delay for the back-up power supply to discharge.
2. Remove the drivers side airbag module and replace it with an airbag simulator from the simulator kit (Pt No. 43.27028).
3. Remove the passengers airbag module and replace it with an airbag simulator from the simulator kit.
4. Reconnect the battery ground.

Rearming the Airbags

WARNING: Carry out the following procedure to rearm and check the airbags after completing all work on the vehicles electrical systems.

Note: The vehicle battery must be disconnected within 12 seconds of switching off the ignition to avoid the alarm siren sounding.

1. Disconnect the battery ground lead. Allow a minimum of one minute delay for the back-up power supply to discharge.
2. Remove the drivers side airbag simulator and replace it with the drivers airbag module. Secure the airbag module with the two captive torx screws.
3. Remove the passengers side airbag simulator and replace it with the passenger side airbag module. Secure the module with four nuts and washers. Close the passenger side airbag door.
4. Reconnect the battery ground.
5. Switch on the ignition and check for correct indications from the SRS/AIRBAG warning light. The SRS/AIRBAG lamp should come on after a brief delay and remain on for approximately six seconds during the airbag system self check. The lamp will extinguish upon satisfactory completion of the self check, or will flash a diagnostic code if an airbag system fault is detected. Continuous illumination of the warning lamp may indicate a seatbelt pretensioner fault

Note: Reset the clock and window ECUs on completion.

Airbag Diagnostic Module Fault Codes

Fault codes may be extracted in one of two ways:

Through the upper diagnostics connector using the PDU, or as a series of flashes of the SRS/AIRBAG warning lamp.

Each series of flashes represents a two digit number, representing a fault code from the list below which is recorded in priority order (i.e. If two faults are present, the code nearest the top of the list will flash. Clear the first code, then the second code will flash). Fault analysis procedures for each code are included on the following pages.

- No Airbag warning lamp - Inoperative airbag warning lamp or no ignition voltage to the diagnostic module
- Continuous airbag warning lamp - Diagnostic module disconnected or inoperative, or a seatbelt pretensioner fault (see pretensioner diagnostics).
- 12 Low battery voltage
- 13 Airbag circuit shorted to ground
- 14 Front crash sensor circuit shorted to ground
- 21 Safing sensor incorrectly mounted in the vehicle
- 22 Safing sensor output circuit shorted to battery voltage
- 23 Safing sensor input feed/return open circuit
- 24 Safing sensor output feed/return open circuit
- 32 Drivers side airbag circuit high resistance or open circuit
- 33 Passengers side airbag circuit high resistance or open circuit
- 34 Drivers side airbag circuit low resistance or short circuit to ground
- 35 Passenger side airbag circuit low resistance or short circuit to ground
- 41 Front right crash sensor feed/return open circuit
- 42 Front left crash sensor feed/return open circuit
- 44 Front right crash sensor incorrectly mounted on the vehicle
- 45 Front left crash sensor incorrectly mounted on the vehicle
- 51 Diagnostic module internal fuse intermittent or short circuit to ground
- 52 Back-up power supply - overvoltage fault
- 53 Front crash sensor circuits resistance to ground or internal diagnostic module failure
- Rapid continuous flashing of the airbag lamp (no fault code)- all front crash sensors disconnected

Airbag Diagnostic Module Connector

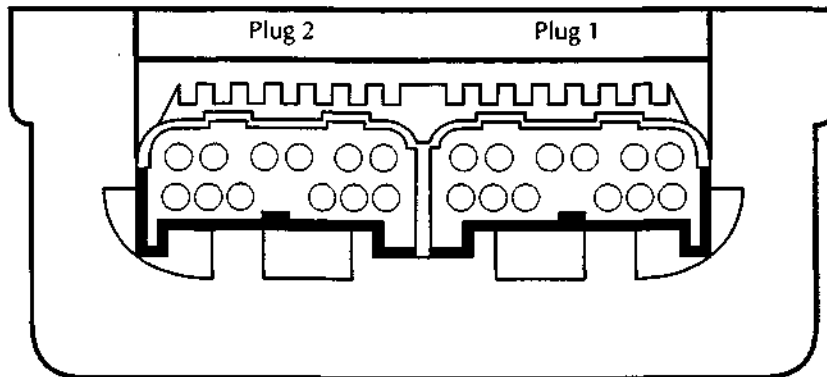
The wiring to the airbag diagnostic module passes through two plugs into a single socket. Plug 1 is grey coloured, plug 2 is black. To aid in fault analysis, the diagnostic module connector pins for plugs 1 and 2, and their functions are listed below:

Connector 1 - Grey Colour

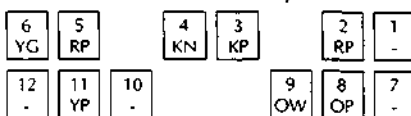
Pin No.	Colour	Circuit
1-1	LGS	12V Ignition Supply
1-2	ON	RH Crash Sensor Monitor
1-3	B	Ground
1-4	YW	Airbag Warning Lamp Output
1-5	B	Ground
1-6	YU	LH Crash Sensor Monitor
1-7	RW	12V Battery Power
1-8	-	Not Used
1-9	RN	Safing Sensor Input
1-10	RG	Safing Sensor Ground Monitor
1-11	KU	RH Crash Sensor Feed
1-12	KG	LH Crash Sensor Feed

Connector 2 - Black

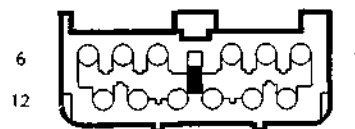
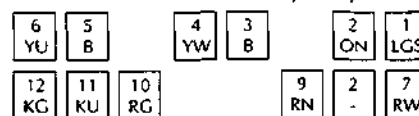
Pin No.	Colour	Circuit
2-1	-	Not Used
2-2	RP	Passenger Airbag Module Feed
2-3	KP	Passenger Airbag Module Return
2-4	KN	Drivers Airbag Module Return
2-5	RP	Drivers Airbag Module Feed
2-6	YG	Safing Sensor Output Monitor
2-7	-	Not Used
2-8	OP	LH Crash Sensor Ground Monitor
2-9	OW	RH Crash Sensor Ground Monitor
2-10	-	Not Used
2-11	YP	Safing Sensor Feed
2-12	-	Test Input



Connector 2/12-Way/Black



Connector 1/12-Way/Grey



No Airbag Warning Lamp

Inoperative lamp, lamp circuit or no ignition voltage to the diagnostics module

Normal Operation

The airbag warning lamp is designed to illuminate for approximately six seconds when the ignition is switched on. This period is allocated for satisfactory performance of the airbag system self test.

Note: The airbag warning lamp is driven by the instrument pack and not directly by the airbag diagnostic module.

The airbag diagnostic module requires an ignition supply to pin 1 to energise the airbag warning lamp circuit. If the warning lamp circuit is open, or the diagnostic module does not receive an ignition voltage at pin 1, the warning lamp will not illuminate.

Open circuit in the warning lamp supply, in conjunction with another system fault, will cause the diagnostic module to emit five tones every 30 minutes while the ignition is switched on. Repair the faulty circuit before further diagnosis.

Note: The diagnostic module will not emit the five tone signal if the warning lamp is open circuit and there is no system fault.

Possible Causes

Defective airbag warning lamp
Faulty wiring in the airbag warning lamp circuit
Loss of ignition voltage at diagnostic module pin 1.
Loss of ground at diagnostic module pin 3
Instrument pack fault

Fault Analysis

WARNING: Read and adhere to all warnings and safety procedures at the start of this section when working on the airbag system.

1. Remove the instrument pack and check the airbag warning lamp.

If the lamp is good, go to step 2.

If the lamp is defective, replace it, switch on the ignition and check that the lamp is now on for approximately six seconds after ignition on.
2. Disarm the airbag system and fit airbag simulators (6.4.21.4).

3. Connect the PDU. Switch on the ignition. Measure the 12V ignition supply voltage from airbag diagnostic connector pin 1-1 (+) to chassis ground. If ignition voltage is present, go to step 6. If ignition voltage is not present, go to step 4.
4. Check fuse F15 passenger side fusebox RHD or F17 passenger side fusebox LHD (ignition supply to the diagnostic module pin 1-1). If the fuse is good, go to step 5. If the fuse is replaced, go to step 6.
5. Check for an open circuit on the YW wire from fuse F15 passenger side fusebox (F17 LHD) to diagnostic module pin 1-1. If continuity is good, isolate the fault in the 12V supply to fuse F15 (F17) and then go to step 9.
6. Measure the voltage from diagnostic module pin 1-1 to diagnostic module pin 1-3. If 12V is not present, isolate and service the open circuit in the diagnostic module ground to pin 1-3. Then go to step 7.
7. Switch the ignition off. Set up to measure the voltage from DM pin 1-4 to DM pin 1-5 during the first six seconds after ignition on.

Switch on the ignition, the warning light signal to the instrument pack should switch for six seconds after a brief delay.

If the signal does not switch, the diagnostic module is faulty. Replace the module, switch on the ignition and check that the airbag warning lamp does light for six seconds after ignition on.

If the signal does switch for approx. six seconds after ignition on, the fault is in the instrument pack or wiring. go to step 8.

8. Check continuity of the YW wire from diagnostic module pin 1-4 to instrument pack 16 way plug pin 2.

If continuity is good, service the instrument pack and then retest to ensure correct indication from the airbag warning lamp at ignition on.

If continuity is defective, service the wire and then retest to ensure correct indication from the airbag warning lamp at ignition on.
9. Disconnect the PDU, and rearm the airbags (6.4.21.4). Switch on the ignition and check for correct indications from the airbag warning lamp.

Continuous Airbag Warning Lamp

Inoperative lamp circuit or no ignition supply to the airbag diagnostic module.

Normal Operation

The airbag warning lamp is designed to illuminate for approximately six seconds when the ignition is switched on. This period is allocated for satisfactory performance of the airbag system self test. If after this period, the diagnostic module detects a fault within the system, the airbag warning lamp will begin to flash.

Note: The seat belt pretensioner system (if fitted) shares the airbag/SRS warning lamp with the airbag system. If a seat belt pretensioner fault is detected, the Airbag/SRS warning lamp will be permanently illuminated. Ensure that a permanently lit lamp is not the result of a pretensioner fault before carrying out fault analysis on the airbag system.

Poor connection or disconnection of the diagnostic module harness may cause a short circuit from DM pin 4 (warning lamp control) to pin 5 (ground) and cause permanent illumination of the warning lamp.

Faulty operation of the diagnostic module internal logic may fail to turn off the warning lamp control circuit and cause constant illumination of the warning lamp.

Fault Analysis

WARNING: Read and adhere to all warnings and safety procedures at the start of this section when working on the airbag system.

1. Disarm the airbag system and fit airbag simulators (6.4.21.4). Reconnect the battery.
2. Inspect the instrument pack and diagnostic module connectors for damaged, pushed out pins, proper location etc.

If any defects are identified, service as necessary. Retest to ensure correct operation of the airbag warning light.

If the connector condition and security are good, reconnect the connectors and go to step 3.

3. Connect the PDU to the upper diagnostic socket and monitor the airbag warning lamp signal. Switch on the ignition.

If the signal is permanently low, suspect a short circuit to ground on the airbag warning lamp control line within the diagnostic module or from diagnostic module pin 1-4 to earth. Go to step 4.

If the signal switches low for six seconds after ignition on but the airbag warning lamp is permanently illuminated, suspect a fault in the output side of the instrument pack to the airbag warning lamp.

4. Disconnect diagnostic module plug 1 (slate) and withdraw the plastic locking wedge to prevent shorts to other circuits. Check continuity from pin 1-1 to ground.

If a short circuit to ground is detected, service the wiring as necessary. Replace the locking wedge, reinsert the connector. Switch on the ignition and check that the airbag warning lamp signal at pin 1-4 goes high six seconds after switching on the ignition and that the warning lamp extinguishes.

If no short circuit to ground is detected, the diagnostic module is faulty. Replace the diagnostic module. Switch on the ignition and check that the airbag warning lamp signal at pin 1-4 goes high six seconds after switching on the ignition and that the warning lamp extinguishes.

5. Switch off the ignition. Disconnect the battery. Rearm the airbags (6.4.21.4). Switch on the ignition and check for correct indications from the airbag warning lamp.

Airbag DM Fault Code 12

Low battery voltage

Normal Operation

The airbag diagnostic module (DM) monitors the voltage at pin 1-7 which should be equal to the battery voltage. If a voltage lower than 9 volts is detected at pin 1-7, the airbag warning lamp will be illuminated and fault code 12 will be flashed.

Possible Causes

Drop in battery voltage to DM pin 1-7 caused by:

- Open circuit to pin 1-7 from the battery
- Short circuit to ground on the battery feed circuit
- Safing sensor feed shorted to ground
- Safing sensor internal short to ground
- Faulty charge system draining the battery

Fault Analysis

WARNING: Read and adhere to all warnings and safety procedures at the start of this section when working on the airbag system.

1. Complete a battery voltage test as follows:
 - a) Measure the battery voltage at the battery under KOEO and KOER conditions.
If the battery voltage is below 10.5 volts during KOEO or below 12.5 volts during the KOER tests, service the battery and charging system as necessary. Retest for airbag system fault code 12 and go to step 2 if the fault recurs.
2. Complete a 12 volts supply check at the diagnostic module:
 - a) Disarm the airbag system and fit airbag simulators (6.4.21.4)
 - b) Disconnect the airbag diagnostic module.
 - c) Switch on the ignition.
 - d) Measure the voltage between DM harness connector pin 1-7 (+) and harness connector pin 1-3 (-).
 - e) If battery voltage is not present, go to step 3.
If battery voltage is present at pin 1-7, renew the diagnostic module. Rearm and verify the airbag system.
3. Check the supply fuse as follows:
 - a) Check fuse F16 in the passenger side fusebox RHD (or F18 in passenger fusebox LHD).
If the fuse has not blown, check for an open circuit between battery positive and diagnostic module connector pin 1-7.
If the fuse has blown, Renew the fuse and/or repair the wiring and go to step 4.
4. Check for a short circuit as follows:
 - a) Switch off the ignition. With the airbag diagnostic module disconnected, measure the continuity to earth from diagnostic module connector pin 1-7 to ground.
If no short circuit is detected, go to step 5.
If a short to ground is detected, service the wiring as necessary. Reconnect the diagnostic module and retest to ensure that code 12 is cleared.
5. Check for a short circuit to ground on the safing sensor wiring as follows:
 - a) Check for a short circuit to ground at diagnostic module pin 1-9.
 - b) If a short is detected, disconnect the safing sensor and repeat the check at diagnostic module pin 1-9. If a short is still detected, service the wiring from diagnostic module pin 1-9 to safing sensor pin 7.
 - c) If no short circuit is detected, change the airbag diagnostic module. Reconnect the diagnostic module and retest to ensure that code 12 does not recur.
6. Rearm the airbags (6.4.21.4)

Airbag DM Fault Code 13

Airbag circuit short to ground

Normal Operation

The diagnostic module measures the voltage at pins 2-5 and 2-6. The voltage at these pins is dependant on charging system voltage as shown in the table below.

Pin 2-5	Pin 2-6	Charge Volts
2.3V	2.3V	9.0V
2.4V	2.4V	9.5V
2.5V	2.5V	10.0V
2.7V	2.7V	10.5V
2.8V	2.8V	11.0V
3.0V	3.0V	11.5V
3.1V	3.1V	12.0V
3.2V	3.2V	12.5V
3.4V	3.4V	13.0V
3.5V	3.5V	13.5V
3.7V	3.7V	14.0V
3.8V	3.8V	14.5V
4.0V	4.0V	15.0V
4.1V	4.1V	15.5V
4.3V	4.3V	16.0V

If the diagnostic monitor measures a voltage of 2.0 volts or less on pins 2-5 and 2-6, a fault code 13 will be generated and flashed to the instrument pack to be signalled on the airbag warning lamp. Voltages as low as 2.0 volts indicate a possible short to ground in these circuits.

When generating a code 13 the diagnostic module also generates a signal to blow its own internal thermal fuse. This action disables the airbag deployment circuit. The airbag diagnostic module fuse is non-repairable and the module must be replaced after repairing the short circuit. If the voltage at pins 2-5 and 2-6 returns to normal, fault code 51 (blown thermal fuse) will be stored in memory.

Fault Analysis

WARNING: Read and adhere to all warnings and safety procedures at the start of this section when working on the airbag system.

1. Disarm the airbag system and fit airbag simulators (6.4.21.4)
2. Disconnect the airbag diagnostic module. Switch on the ignition.
3. Measure the continuity to ground at the following pins on the diagnostic module harness connector:

2-2 Passenger airbag feed
2-3 Passenger airbag return
2-4 Drivers airbag return
2-5 Drivers airbag feed
2-11 Safing sensor feed

If no short circuit is detected, go to step 4.

If a short circuit is detected, disconnect the relevant airbag simulator or the safing sensor and repeat the continuity measurement to isolate the circuit fault. Service the wiring or replace the safing sensor as necessary. Fit a new airbag diagnostic module and rearm the airbags (6.4.21.4).

4. Check for intermittent short circuits in the cable reel cassette. Monitor the continuity to ground at pins 2-4 and 2-5 whilst rotating the steering from lock to lock in both directions.

If no short circuit is detected, go to step 5.

If a short circuit is detected, replace the column switchgear assembly. Fit a new airbag diagnostic module and rearm the airbags (6.4.21.4).

WARNING: Do not attempt to make any electrical measurements on the airbag modules. Any induced voltage can cause the airbag to deploy with the risk of personal injury.

5. Fit a replacement diagnostic module and replacement airbag modules.

Caution: Do not refit the old airbag modules. They may be faulty and would damage the new diagnostic module.

6. Rearm the airbag system (6.4.21.4).

Airbag DM Fault Code 14

Primary crash sensor circuit short to ground

Normal Operation

The diagnostic module measures the voltage at pins 1-2 and 1-6. The normal voltage at these pins is 10 volts (± 1 volt) with the ignition on, and battery voltage with the ignition off.

If the voltage at the airbag diagnostic module connector pins 1-2 or 1-6 drops below 5 volts, fault code 14 will be generated and the airbag warning lamp will be switched on. When generating a code 14 the diagnostic module also generates a signal to blow its own internal thermal fuse. This action disables the airbag deployment circuit. The airbag diagnostic module fuse is non-repairable and the module must be replaced after removing the short circuit. If the voltage at pins 1-2 and 1-6 returns to normal, fault code 51 (blown thermal fuse) will be logged.

Fault Analysis

WARNING: Read and adhere to all warnings and safety procedures at the start of this section when working on the airbag system.

1. Disarm the airbag system and fit airbag simulators (6.4.21.4)
2. Disconnect the airbag diagnostic module and remove the plastic wedge from plug 1 (slate).

Note: The plastic wedge contains a shorting bar which would short together pins 1-3 (gnd), 1-11 and 1-2 when the plug is disconnected.

3. Measure the continuity to ground at the following pins on the diagnostic module harness connector:
 - 1-2 RH crash sensor monitor
 - 1-11 LH crash sensor feed
 - 1-6 LH crash sensor monitor
 - 1-12 RH crash sensor feed

If no short circuit is detected, go to step 4.

If a short circuit is detected, disconnect the relevant crash sensor and repeat the continuity measurement to isolate the circuit fault. Service the wiring or replace the crash sensor as necessary. Refit the plastic wedge to the diagnostic module connector. Fit a new airbag diagnostic module and rearm the airbags (6.4.21.4).

Airbag DM Fault Code 21

Safing sensor insecure mounting.

Normal Operation

The diagnostic module measures the resistance between pins 1-10 (safing sensor case ground) and 1-3 (monitor reference ground) at the diagnostic module connector. If the resistance is greater than 2Ω a fault code 21 will be generated and the airbag warning lamp will be switched on.

Note: a good ground connection is vital. The wire from pin 1-1 is riveted to the safing sensor case and the case must be securely grounded to the vehicle body.

Fault Analysis

WARNING: Read and adhere to all warnings and safety procedures at the start of this section when working on the airbag system.

1. Disarm the airbag system and fit airbag simulators (6.4.21.4).
2. Disconnect the diagnostic connector and check for continuity from pin 1-3 to chassis ground.

If continuity is good, go to step 3.

If the resistance reading is 2Ω or more, service the diagnostic module ground circuit to pin 1-3 as necessary. Confirm a good ground path between pins 1-10 and 1-3. Clear the code 21 and rearm the airbags (6.4.21.4).

3. Check for continuity between pins 1-10 and chassis ground at the safing sensor.

If the resistance is above 2Ω , check for continuity from the safing sensor connector pin 5 to chassis ground. Also check the safing sensor mounting for corrosion, dirt or loose fixings. Service the wiring and/or clean and secure the sensor mounting as necessary. If a satisfactory ground is not achieved, replace the safing sensor.

4. Make a final continuity test from diagnostic module connector pin 1-3 to 1-10 to ensure a satisfactory ground path. Reconnect the diagnostic module. Clear the code 21. Rearm the airbags (6.4.21.4).

Airbag DM Fault Code 22

Safing sensor output circuit shorted to battery voltage.

Normal Operation

The diagnostic module measures the voltage at pin 2-5 (airbag module feed) and 2-6 (safing sensor output monitor) at the diagnostic module connector. The voltage at these pins is dependant on charging system voltage as shown in the table below. If the voltage at either pin exceeds 5 volts, a fault code 22 will be generated.

Pin 2-5	Pin 2-6	Charge Volts
2.3V	2.3V	9.0V
2.4V	2.4V	9.5V
2.5V	2.5V	10.0V
2.7V	2.7V	10.5V
2.8V	2.8V	11.0V
3.0V	3.0V	11.5V
3.1V	3.1V	12.0V
3.2V	3.2V	12.5V
3.4V	3.4V	13.0V
3.5V	3.5V	13.5V
3.7V	3.7V	14.0V
3.8V	3.8V	14.5V
4.0V	4.0V	15.0V
4.1V	4.1V	15.5V
4.3V	4.3V	16.0V

Possible Causes

- A short between pins 2-5 or 2-6 and another wire. (The wiring to the safing sensor carries voltages above 5 volts).
- A short between the cable reel cassette circuit and other 12 volt circuits at the steering column head.
- A short across the normally open contacts of the safing sensor.
- Vehicle charging system voltage too high. If the generator output is greater than 17V, fault code 22 may be logged.

Fault Analysis

WARNING: Read and adhere to all warnings and safety procedures at the start of this section when working on the airbag system.

1. Disarm the airbag system and fit airbag simulators (6.4.21.4).
2. Check the voltage at the battery with the engine running at approximately 1500 rpm.

If the voltage is 14.8 ± 0.5 volts, the charging voltage is within specification, go to step 3.

If the voltage is significantly above 14.8 volts (the voltage regulator set point) service the charging system. Clear the code 22. Rearm the airbags (6.4.21.4)

3. Check in the area of the diagnostic module connector for harness damage which could cause a short circuit to 12 volts. (Note: The airbag system harness runs are sheathed in black plastic protection and harness damage is unlikely.)

If no harness damage is evident, go to step 4.

If harness damage is identified, service the wiring as necessary. Clear the code 22. Rearm the airbags (6.4.21.4).

4. Switch on the ignition. Monitor the voltage at pins 2-5 and 2-6 whilst rotating the steering from lock to lock in both directions.

If the voltage at both pins remains below 5.0 volts, go to step 5.

If the voltage rises to above 5.0 volts, service the cable reel cassette or wiring as necessary. Clear the code 22. Rearm the airbags (6.4.21.4).

5. With the ignition on, check the voltage at pins 2-5 and 2-6 whilst manipulating the bulkhead and safing sensor harnesses.

If the voltage rises above 5.0 volts, service the wiring fault in the harness area being manipulated at the time the voltage rise occurred.

If no voltage rise occurs, fit a new safing sensor as the most likely cause of the code 22. Clear the code 22 and rearm the airbags (6.4.21.4).

Airbag DM Fault Code 23

Safing sensor input - battery feed/return open circuit.

Normal Operation

The diagnostic module measures the voltage on diagnostic module pin 1-9 at all times. The voltage can be as high as 25 volts when the backup power supply is fully charged.

Pin 1-9 is connected to pin 2-11 inside the safing sensor and the voltage on both these pins should be the same. If the voltage on pin 2-11 falls below the voltage on pin 1-9, a code 23 is generated.

Possible Causes

- Open circuit in the wiring to diagnostic module pin 1-9.
- Open circuit in the wiring to diagnostic module pin 2-11.

Fault Analysis

WARNING: Read and adhere to all warnings and safety procedures at the start of this section when working on the airbag system.

1. Disarm the airbag system and fit airbag simulators (6.4.21.4).
2. Disconnect the diagnostic connector and the safing sensor connector. Check for continuity from DM pin 1-9 to safing sensor harness connector pin 7 and from DM pin 1-11 to safing sensor harness connector pin 6.

If the continuity of both leads is good, go to step 3.

If a continuity fault is detected, repair the wiring as necessary. Reconnect all components. Clear the code 23. Rearm the airbags (6.4.21.4).

3. Check the continuity between pins 6 and 7 of the safing sensor.

If the continuity is good, replace the diagnostic module. Rearm the airbags (6.4.21.4).

If a continuity fault is detected, replace the safing sensor. Reset the code 23. Rearm the airbags (6.4.21.4).

Airbag DM Fault Code 24

Safing sensor output - battery feed/return open circuit.

Normal Operation

The diagnostic module measures the voltage on diagnostic module pins 2-5 and 2-6 the voltage varies with the vehicle charge level as shown in the table below:

Pin 2-5	Pin 2-6	Charge Volts
2.3V	2.3V	9.0V
2.4V	2.4V	9.5V
2.5V	2.5V	10.0V
2.7V	2.7V	10.5V
2.8V	2.8V	11.0V
3.0V	3.0V	11.5V
3.1V	3.1V	12.0V
3.2V	3.2V	12.5V
3.4V	3.4V	13.0V
3.5V	3.5V	13.5V
3.7V	3.7V	14.0V
3.8V	3.8V	14.5V
4.0V	4.0V	15.0V
4.1V	4.1V	15.5V
4.3V	4.3V	16.0V

The diagnostic module also measures the voltage at pin 1-7 (battery input). Using the battery input voltage, the system can predict the expected voltage level on pins 2-5 and 2-6. If the voltage on pins 2-5 or 2-6 is higher or lower than expected, a fault code 24 will be declared.

Possible Causes

- Open circuit or high resistance in the wiring harness or safing sensor.
- Intermittent battery voltage on pin 1-7
- The resistance of the pin 2-5 to 2-6 circuit to ground. This circuit should be open to ground at all times.

Fault Analysis

WARNING: Read and adhere to all warnings and safety procedures at the start of this section when working on the airbag system.

1. Disarm the airbag system and fit airbag simulators (6.4.21.4).
2. Probe the battery input voltage terminal 1-7. Start the engine and monitor the charge voltage level using a digital multimeter. Run the engine at idle speed and look for any instability in the voltage level. Run the engine at a constant medium speed and then at a constant high speed and repeat the observation for voltage instability.

If the voltage levels are stable, go to step 3.

If instability of the voltage level is observed, Investigate and rectify the problem in the charging circuit.

3. Switch off the ignition. Disconnect the diagnostic module and check for 0Ω continuity from pins 2-5 to 2-6.

If no resistance is detected, go to step 4.

If any resistance is detected between pins 2-5 and 2-6, service the wiring or safing sensor to achieve 0Ω continuity.

4. Measure the resistance to ground from pins 2-5 and 2-6.

If no short circuit is detected, replace the diagnostic monitor. Rearm the airbags (6.4.21.4).

If a short to ground is detected, service the wiring or safing sensor as necessary. Rearm the airbags (6.4.21.4).

Airbag DM Fault Code 32

Drivers airbag circuit high resistance or open circuit.

Normal Operation

The diagnostic module measures the resistance across pins 2-4 and 2-5 every time the ignition is switched on. The resistance should be 1.6 to 1.8Ω. This value is made up of the airbag 1.0Ω and the cable reel cassette windings 0.3-0.4Ω per winding. If the total resistance in the drivers airbag circuit exceeds 4.0Ω, fault code 32 will be declared and the airbag lamp will be illuminated.

Note: The resistance of the airbag simulator is 2.5Ω, therefore expect total resistance readings of 2.8 - 2.9Ω with the simulator fitted.

Caution: The drivers airbag and the cable reel cassette connectors contains shorting bars which short circuit pins 1 and 3 of the connectors when disconnected.

DO NOT REMOVE THE AIRBAG SHORTING BAR UNDER ANY CIRCUMSTANCES.

The harness shorting bars may be temporarily removed during the following resistance checks.

Possible Causes

- Excessive resistance in the cable reel cassette connections.
- Open circuit or high resistance in the cable reel cassette windings.
- Open circuit or high resistance in the wiring harness
- Open circuit or high resistance in the drivers airbag module.
- Defective diagnostic module.

WARNING: Do not attempt a direct resistance check on the airbag module. Accidental deployment can occur due to the induced voltage from the measuring equipment.

Fault Analysis

1. Disarm the airbag system and fit airbag simulators (6.4.21.4).
2. Disconnect the diagnostic module and remove the plastic wedge from connector 2 (black). Measure the resistance between pins 2-4 and 2-5. The resistance should be 2.8 - 2.9Ω.

If the resistance is 2.8 - 2.9Ω, go to step 3.

If the resistance is not in the range 2.8 - 2.9Ω, isolate the continuity problem noting the following:

- a) Pin 2-4 is shorted to pin 2-5 by a shorting link when plug 2 of the diagnostic connector is removed. Removal of the plastic wedge from the plug will remove the short circuit.
 - b) Both halves of the cable reel connector have shorting links which will short pin 1 to pin 3 when the connection is removed. Removal of the plastic wedge from either half will remove the short circuit in that part of the wiring.
 - c) A shorting link is fitted in the airbag module connector. **Do not attempt to remove this shorting link or the plastic wedge. Do not attempt to measure the resistance of the airbag module.**
 - d) Carefully replace all plastic wedges on completion of the circuit checks.
3. The fault is therefore in either the airbag module or in the airbag diagnostic module.

Substitute a known good diagnostic module. If code 32 recurs with the airbag simulator fitted, there is a fault in the wiring.

If the fault code 32 does not recur, rearm the airbags (6.4.21.4) and retest.

If fault code 32 recurs with the airbag module fitted, the airbag module is faulty. Replace the drivers airbag module (4.5.01.3).

Airbag DM Fault Code 33

Passengers airbag circuit high resistance or open circuit.

Normal Operation

The diagnostic module measures the resistance across pins 2-2 and 2-3 every time the ignition is switched on. The resistance should be 0.9 to 1.1 Ω . If the total resistance in the passengers airbag circuit exceeds 4.0 Ω , fault code 33 will be declared and the airbag lamp will be illuminated.

Note: The nominal resistance of the airbag simulator is 2.5 Ω , therefore expect a total circuit resistance reading of 2.4 - 2.6 Ω with the simulator fitted.

Caution: The passenger airbag connector contains shorting bars which short circuit pins 1 and 3 of both sides of the connector when disconnected.

DO NOT REMOVE THE AIRBAG SHORTING BAR UNDER ANY CIRCUMSTANCES.

The harness shorting bar may be temporarily removed during the following resistance checks.

Possible Causes

- Open circuit or high resistance in the wiring harness
- Open circuit or high resistance in the passenger airbag module.
- Defective diagnostic module

WARNING: Do not attempt a direct resistance check on the airbag module. Accidental deployment can occur due to the induced voltage from the measuring equipment.

Fault Analysis

1. Disarm the airbag system and fit airbag simulators (6.4.21.4).
2. Disconnect the diagnostic module and remove the plastic wedge from connector 2 (black). Measure the resistance between pins 2-2 and 2-3. The resistance should be 2.4 - 2.6 Ω .

If the resistance is 2.4 - 2.6 Ω , go to step 3.

If the resistance is not in the range 2.4 - 2.6 Ω , isolate the continuity problem noting the following:

- a) In the diagnostic module connector, pin 2-2 is shorted to pin 2-3 by a shorting link when plug 2 of the diagnostic connector is removed. Removal of the plastic wedge from the plug will remove this short circuit.
 - b) At the airbag module harness connector, pin 1 is shorted to pin 3 when the airbag is disconnected. Removal of the plastic wedge from the plug will remove this short circuit.
 - c) The shorting link fitted in the airbag module connector will short pin 1 to pin 3 when the airbag is disconnected. **Do not attempt to remove this shorting link or the plastic wedge. Do not attempt to measure the resistance of the airbag module.**
 - c) Carefully replace all plastic wedges on completion of the circuit checks.
3. The fault is therefore in either the airbag module or in the airbag diagnostic module.

Substitute a known good diagnostic module. If code 33 recurs with the airbag simulator fitted, there is still a fault in the wiring or the simulator.

If the fault code 33 does not recur, rearm the airbags (6.4.21.4) and retest.

If fault code 33 recurs with the airbag module fitted, the airbag module is faulty. Replace the passengers airbag module (7.8.02.6).

Airbag DM Fault Code 34

Drivers airbag circuit low resistance or short circuit.

Normal Operation

The diagnostic module measures the resistance across pins 2-5 and 2-4 every time the ignition is switched on. The resistance should be 1.6 to 1.8Ω. This value is made up of the airbag 1.0Ω and the cable reel cassette windings 0.3-0.4Ω per winding. If the total resistance in the passengers airbag circuit falls below 0.7Ω, fault code 34 will be declared and the airbag lamp will be illuminated.

Note: The nominal resistance of the airbag simulator is 2.5Ω, therefore expect a total circuit resistance reading of 3.1 - 3.3Ω with the simulator fitted.

Caution: The drivers airbag connector contains shorting bars which short circuit pins 1 and 3 of both sides of the connector when disconnected.

DO NOT REMOVE THE AIRBAG CONNECTOR SHORTING BAR UNDER ANY CIRCUMSTANCES.

The airbag harness shorting bar may be temporarily disabled during the following resistance checks.

Possible Causes

- Poorly mated cable reel cassette connector. If the connector is poorly mated, the shorting bars may not be fully retracted.
- Faulty shorting bar may short circuit 2-4 and 2-5 together.
- Short circuit in the cable reel cassette windings.
- A short across the airbag terminals in the airbag module.

Fault Analysis

1. Disarm the airbag system and fit airbag simulators (6.4.21.4).
2. Disconnect the diagnostic module and remove the plastic wedge from connector 2 (black). Measure the resistance between pins 2-5 and 2-4. The resistance should be 3.1 - 3.3Ω.

If the resistance is 3.1 to 3.3Ω, go to step 4.

If the resistance is below 3.1 - 3.3Ω, go to step 3.

3. Disconnect the cable reel cassette connector at the steering column and remove the plastic wedge. Measure the resistance from pins 2-4 and 2-5 at the diagnostic module connector.

If the resistance is infinity, check the cable reel cassette for short circuits. Replace the column switchgear assembly if necessary. Refit the plastic wedges. Reconnect the diagnostic module. Clear the code 34. Rearm the airbags (6.4.21.4).

If the resistance is less than infinity, replace the main airbag harness. Refit the plastic wedges. Reconnect the diagnostic module. Clear the code 34. Rearm the airbags (6.4.21.4).

4. Since the circuit resistance is in specification, the fault must lie in the diagnostic module or in the airbag module.

Substitute a known good diagnostic module. If code 34 recurs with the airbag simulator fitted, there is still a fault in the wiring or the simulator.

If the fault code 34 does not recur, rearm the airbags (6.4.21.4) and retest.

If fault code 34 recurs with the airbag module fitted, the airbag module is faulty. Replace the drivers airbag module (4.5.01.3).

Airbag DM Fault Code 35

Passengers airbag circuit low resistance or short circuit.

Normal Operation

The diagnostic module measures the resistance across pins 2-2 and 2-3 every time the ignition is switched on. The resistance should be 0.9 to 1.1Ω. If the total resistance in the passengers airbag circuit falls below 0.7Ω, fault code 35 will be declared and the airbag lamp will be illuminated.

Note: The nominal resistance of the airbag simulator is 2.5Ω, therefore expect a total circuit resistance reading of 2.4 - 2.6Ω with the simulator fitted.

Caution: The passengers airbag connector contains shorting bars which short circuit pins 1 and 3 of both sides of the connector when disconnected.

DO NOT REMOVE OR DISABLE THE AIRBAG CONNECTOR SHORTING BAR UNDER ANY CIRCUMSTANCES.

The airbag harness shorting bar may be temporarily disabled during the following resistance checks.

Possible Causes

- Poorly mated airbag harness connector. If the connector is poorly mated, the shorting bars may not be fully retracted.
- Faulty shorting bar may short circuit 2-2 and 2-3 together.
- A short across the airbag terminals in the passengers airbag module.

Fault Analysis

1. Disarm the airbag system and check the security of the passengers airbag module connector before disconnecting.

If the connector is secure, complete the disarming procedure, fit the airbag simulators (6.4.21.4). Go to step 2

If the connector is insecure, service as necessary, clear the code 35, rearm the airbags. Check that code 35 does not recur.

2. Disconnect the diagnostic module and remove the plastic wedge from connector 2 (black). Measure the resistance between pins 2-2 and 2-3. The resistance should be 2.4 - 2.6Ω.

If the resistance is 2.4 - 2.6Ω, go to step 4.

If the resistance is below 2.4 - 2.6Ω, go to step 3.

3. Disconnect the airbag simulator at the passengers airbag module and remove the plastic wedge from the harness connector. Measure the resistance between pins 2-2 and 2-3 at the diagnostic module connector.

If the resistance is infinity, the airbag harness is good at this time. Swap the airbag simulators at the drivers and passengers airbag connectors. Repeat the resistance check. If the resistance is less than infinity, there is a fault in the passengers airbag harness connector. Service the connector or replace the harness as necessary. Refit the plastic wedges. Reconnect the diagnostic module. Clear the code 35. Rearm the airbags.

If the resistance is less than infinity, service the bulkhead harness as necessary. Refit the plastic wedges. Reconnect the diagnostic module. Clear the code 35. Rearm the airbags (6.4.21.4).

4. Since the circuit resistance is in specification, the fault must lie in the diagnostic module or in the airbag module.

Substitute a known good diagnostic module. If code 35 recurs with the airbag simulator fitted, there is still a fault in the wiring or the simulator.

If the fault code 35 does not recur, rearm the airbags (6.4.21.4) and retest.

If fault code 35 recurs with the airbag module fitted, the airbag module is faulty. Replace the passengers airbag module (7.8.02.6).

Airbag DM Fault Code 41

Right hand crash sensor feed or return open circuit.

Normal Operation

The diagnostic module constantly measures the voltage at pins 1-2 and 1-11. The voltage should be 10 ± 1 volt. The two wires are connected together within the right hand crash sensor. If the voltage at 1-2 falls below that at 1-11, an open circuit has occurred. Fault code 41 will be declared and the airbag lamp will be illuminated.

Possible Causes

- Open circuit in the wires from diagnostic module pins 1-2 or 1-11 to the right hand crash sensor.
- An open circuit within the right hand crash sensor across pins 1 and 2 of the sensor connector.

Fault Analysis

1. Disarm the airbag system and fit airbag simulators (6.4.21.4).
2. Disconnect the diagnostic module and check continuity between pins 1-2 and 1-11.

If the resistance is significantly greater than 0Ω , go to step 3.

If the circuit resistance is 0Ω , the fault is intermittent. Manipulate the harness, particularly in the area of the sensor connector and the crash sensor harness to bulkhead harness connector, to identify the location of the open circuit. Service the circuit as necessary.

3. Check the right hand crash sensor connector for security and service the connector if necessary.

If the connector is secure, disconnect and check continuity from pin 1 to pin 2 of the sensor.

If the resistance is high or an open circuit is detected, replace the crash sensor.

If the sensor continuity is good (0Ω), service the crash sensor loom or bulkhead harness as necessary to remove the high resistance or open circuit.

4. With the airbag simulators in circuit and all connectors in place, clear the code 41. Switch off and then on again to check that the airbag warning lamp comes on at 'ignition on' and extinguishes after approximately six seconds.
5. Switch off and rearm the airbags (6.4.21.4)

Airbag DM Fault Code 42

Left hand crash sensor feed or return open circuit.

Normal Operation

The diagnostic module constantly measures the voltage at pins 1-6 and 1-12. The voltage should be 10 ± 1 volt. The two wires are connected together within the left hand crash sensor. If the voltage at 1-6 falls below that at 1-12, an open circuit has occurred. Fault code 42 will be declared and the airbag lamp will be illuminated.

Possible Causes

- Open circuit in the wires from diagnostic module pins 1-6 or 1-12 to the left hand crash sensor.
- An open circuit within the left hand crash sensor across pins 1 and 2 of the sensor connector.

Fault Analysis

1. Disarm the airbag system and fit airbag simulators (6.4.21.4).
2. Disconnect the diagnostic module and check continuity between pins 1-6 and 1-12.

If the resistance is significantly greater than 0Ω , go to step 3.

If the circuit resistance is 0Ω , the fault is intermittent. Manipulate the harness, particularly in the area of the sensor connector and the crash sensor harness to bulkhead harness connector, to identify the location of the open circuit. Service the circuit as necessary.

3. Check the left hand crash sensor connector for security and service the connector if necessary.

If the connector is secure, disconnect and check continuity from pin 1 to pin 2 of the sensor.

If the resistance is high or an open circuit is detected, replace the crash sensor.

If the sensor continuity is good (0Ω), service the crash sensor harness or bulkhead harness as necessary to remove the high resistance or open circuit.

4. With the airbag simulators in circuit and all connectors in place, clear the code 42. Switch off and then on again to check that the airbag warning lamp comes on at 'ignition on' and extinguishes after approximately six seconds.
5. Switch off and rearm the airbags (6.4.21.4).

Airbag DM Fault Code 44

Right hand crash sensor incorrectly mounted.

Normal Operation

The diagnostic module constantly measures the resistance between pins 2-8 (RH crash sensor ground) and 1-3 (airbag DM system ground). If the resistance rises above 2Ω , fault code 44 is declared and the airbag warning lamp is illuminated.

Possible Causes

- Loose sensor mounting or an accumulation of dirt or corrosion at the sensor mountings.
- An open circuit or loose wire from DM pin 2-8 to the sensor.
- An open circuit wire or loose rivet within the sensor.

Fault Analysis

1. Disarm the airbag system and fit airbag simulators (6.4.21.4).
2. Disconnect the diagnostic module and check continuity between pins 1-3 and 2-8.

If the resistance is significantly greater than 0Ω , go to step 3.

If the circuit resistance is 0Ω , the fault is intermittent. Manipulate the harness, particularly in the area of the sensor connector and the crash sensor harness to bulkhead harness connector, to identify the location of the open circuit. Service the circuit as necessary.

3. Check the right hand crash sensor mounting for security and corrosion.

If neither problem is evident, go to step 4.

If either problem is evident, remove, clean and resecure the sensor. Reconnect the diagnostic module. Switch on and clear the code 44. Switch off and then on again to check that the airbag warning lamp comes on at 'ignition on' and extinguishes after approximately six seconds.

4. Check the right hand crash sensor connector for security and service the connector if necessary.

If the connector is secure, disconnect and check continuity from pin 1 to pin 2 of the sensor.

If the resistance is high or an open circuit is detected, replace the crash sensor. Go to step 5

If the sensor continuity is good (0Ω), service the crash sensor harness or bulkhead harness as necessary to remove the high resistance or open circuit. Go to step 5.

5. With the airbag simulators in circuit and all connectors in place, clear the code 44. Switch off and then on again to check that the airbag warning lamp comes on at 'ignition on' and extinguishes after approximately six seconds.
6. Switch off and rearm the airbags (6.4.21.4)

Airbag DM Fault Code 45

Left hand crash sensor incorrectly mounted.

Normal Operation

The diagnostic module constantly measures the resistance between pins 2-9 (LH crash sensor ground) and 1-3 (airbag DM system ground). If the resistance rises above 2Ω , fault code 45 is declared and the airbag warning lamp is illuminated.

Possible Causes

- Loose sensor mounting or an accumulation of dirt or corrosion at the sensor mountings.
- An open circuit or loose wire from DM pin 2-9 to the sensor.
- An open circuit wire or loose rivet within the sensor.

Fault Analysis

1. Disarm the airbag system and fit airbag simulators (6.4.21.4).
2. Disconnect the diagnostic module and check continuity between pins 1-3 and 2-9.

If the resistance is significantly greater than 0Ω , go to step 3.

If the circuit resistance is 0Ω , the fault is intermittent. Manipulate the harness, particularly in the area of the sensor connector and the crash sensor harness to bulkhead harness connector, to identify the location of the open circuit. Service the circuit as necessary.

3. Check the left hand crash sensor mounting for security and corrosion.

If neither problem is evident, go to step 4.

If either problem is evident, remove, clean and resecure the sensor. Reconnect the diagnostic module. Switch on and clear the code 45. Switch off and then on again to check that the airbag warning lamp comes on at 'ignition on' and extinguishes after approximately six seconds.

4. Check the left hand crash sensor connector for security and service the connector if necessary.

If the connector is secure, disconnect and check continuity from pin 1 to pin 2 of the sensor.

If the resistance is high or an open circuit is detected, replace the crash sensor. Go to step 5

If the sensor continuity is good (0Ω), service the crash sensor harness or bulkhead harness as necessary to remove the high resistance or open circuit. Go to step 5.

5. With the airbag simulators in circuit and all connectors in place, clear the code 45. Switch off and then on again to check that the airbag warning lamp comes on at 'ignition on' and extinguishes after approximately six seconds.
6. Switch off and rearm the airbags (6.4.21.4)

Airbag DM Fault Code 51

Airbag diagnostic module - thermal fuse blown.

WARNING: *The diagnostic module will blow the internal fuse whenever a short circuit to ground occurs in the deployment circuits. It does not blow because of excessive current flow. The thermal fuse is not a serviceable item. No attempt should be made to replace or bypass the fuse.*

WARNING: *Do not install a new diagnostic module until the short has been located and corrected. A short which goes away before corrective action has been taken must be regarded as an intermittent fault. Installing a new diagnostic module when there is an intermittent fault will result in repeated diagnostic module failures and repeated repairs.*

Normal Operation

In order to prevent airbag deployment in the event of a short circuit to ground, the diagnostic module blows its internal fuse as soon as a short to ground is detected. This action removes all battery and back-up power from the deployment circuits. The diagnostic module will flag the higher priority codes 13 or 14 while the short to ground exists. If the short is intermittent and temporarily corrects itself, the diagnostic module will flag code 51. If the short to ground returns, the diagnostic module will again flag the higher priority code 13 or 14 instead of code 51.

Code 51 after Airbag Deployment

The internal wiring may be shorted to the metal airbag housings after the airbags are deployed. The diagnostic module will see this as a short to ground in the deployment wiring. It will flag a code 14 and blow the internal fuse. As the deployed airbags cool, the short circuit may rectify itself. The diagnostic module will then flag a code 51. This intermittent fault must be investigated and corrected.

Possible Causes

A short circuit to ground in any of the following:
DM pins 2-2, 2-5 or 2-6 to the safing sensor
DM pins 2-2, 2-5 or 2-3 to the passenger airbag
DM pins 2-2, 2-4 or 2-5 to the drivers airbag
DM pins 1-2 or 1-11 to RH crash sensor
DM pins 1-6 or 1-12 to LH crash sensor

Fault Analysis

1. Disarm the airbag system and fit airbag simulators (6.4.21.4).
2. Inspect the connectors and terminals for any foreign metal objects or damaged terminals which could be the cause of the short circuit.

Check each of the circuits in the possible causes list and isolate the intermittent short circuit. Rectify the fault.

See the warnings above about replacement of diagnostic modules when intermittent shorts are present.

3. Replace the diagnostic module.
4. Reconnect all components and rearm the airbags (6.4.21.4).

Airbag DM Fault Code 52

Back-up power supply - voltage boost fault.

Normal Operation

A back-up power supply consisting of a capacitor and voltage booster is contained within the diagnostic module. The voltage booster charges the capacitor to 24 ± 1 volt when the ignition is on. The back-up power supply is connected to diagnostic module pin 1-9 via a diode. Since the resistance of pin 1-9 to ground is infinite, the capacitor has no discharge path and the back-up supply is maintained at a high voltage. The diagnostic module monitors this voltage and will flag a code 52 if a minimum of 23V is not achieved within 45 seconds of switching on the ignition.

Possible Causes

Low back-up supply voltage may be caused by:

- Partial or total short circuit of pin 1-9 to ground.
- Boost circuit failure within the diagnostic module.

Fault Analysis

1. Disarm the airbag system and fit airbag simulators (6.4.21.4).
2. Disconnect the diagnostic module. Check for a partial or permanent short circuit to ground from diagnostic module harness connector pin 1-9.

If no short circuit is detected, go to step 3.

If a short circuit is detected, service the wiring as necessary. Reconnect the diagnostic module. Clear the code 52. Rearm the airbags.

3. Using a high resistance digital multimeter, set up to measure the voltage from diagnostic module pin 1-9 to ground. Switch on the ignition.

If the voltage is in the range 24 ± 1 volt, the back-up power supply is good. Suspect an intermittent short circuit to ground and recheck the output circuit from pin 1-9.

If the voltage is below the range 24 ± 1 volt, replace the diagnostic module.

4. Rearm the airbags (6.4.21.4).

Airbag DM Fault Code 53

Internal diagnostic module failure.

Normal Operation

The diagnostic module constantly measures the voltage on pins 1-2, 1-6, 1-11 and 1-12. It should be 10 ± 1 volt. The voltage is regulated by a resistor within the diagnostic module and the resistance to ground of pins 1-2, 6, 11 and 12 should be infinite. The resistance across the normally open contacts of the crash sensors should also be infinite. If the resistance of the pins to ground or across the crash sensors becomes measurable, the voltage will drop. At between 5V and 10V the diagnostic module will recognise an internal voltage regulation failure and flag a code 53 fault and the airbag warning light will be illuminated.

Notes: A dead short to ground in the crash sensor circuits will drop the voltage below 5V and the diagnostic module will flag a code 14 fault.

The diagnostic module performs several self-tests as the ignition is switched on. If it fails any test, fault code 53 will be flagged.

Possible Causes

- A decrease in resistance from infinity between the primary crash sensor circuits and ground.
- An internal diagnostic module self-test failure.

Fault Analysis

1. Disarm the airbag system and fit airbag simulators (6.4.21.4).
2. Check each of pins 1-2, 1-6, 1-11 and 1-12 for continuity to ground.

If resistance of all circuits is infinity, go to step 3.

If any resistance other than infinity is detected, service the circuit wiring as necessary. Reconnect all connectors and switch on and clear all fault codes.

Switch off the ignition and then switch on again. Check that the airbag warning lamp comes on at 'ignition on' and extinguishes after approximately six seconds on satisfactory completion of the airbag system self-check.

3. Rearm the airbags (6.4.21.4).

Airbag DM Fault Code 99

Rapid continuous flashing of the airbag warning light - Both front crash sensors disconnected.

Normal Operation

Each crash sensor has three wires. Two deploy the airbag and monitor the sensors connection to the diagnostic monitor. The third wire monitors the mounting of the sensor to the vehicle bodywork. A code 99 is declared if both sensors are disconnected and not properly grounded.

Fault Analysis

1. Disarm the airbag system and fit airbag simulators (6.4.21.4).
2. Check continuity of all circuits listed below and service as necessary.

LH Crash Sensor

DM Pin	Sensor Pin
1-6	1
1-12	2
2-9	4

RH Crash Sensor

DM Pin	Sensor Pin
1-2	1
1-11	2
2-8	4

Also check for correct grounding of the diagnostic module and the sensor cases.

3. Reconnect all connectors, clear fault code 99. Switch off the ignition and then switch on again. Check that the airbag warning lamp comes on at 'ignition on' and extinguishes after approximately six seconds on satisfactory completion of the airbag system self-check.
4. Rearm the airbags (6.4.21.4).

The Seat Belt Pretensioner System (where fitted)

Description

The DB7 seat belt pretensioner system operates the drivers seat belt pretensioner in conjunction with the Airbag system. The seat belt pretensioner control module is located under the right hand seat, beside the right hand seat control module.

The pretensioner control module calculates changes in vehicle speed using an input signal from an accelerometer. When a collision is detected (Rapid reduction in vehicle speed) and the safing sensor in the airbag system is also activated, the pretensioner charge is fired using electrical energy stored in a capacitor within the pretensioner control module. Firing of the pretensioner charge applies additional tension to the drivers seat belt.

The airbag and seat belt pretensioner systems share the SRS (Airbag) warning lamp. Any fault detected by the pretensioner control module is indicated by constant illumination of the SRS (Airbag) warning lamp. Flashing of the SRS warning lamp indicates a fault in the airbag system.

Should both systems develop faults, the pretensioner system will permanently illuminate the warning lamp. This would mask the airbag system warning indication. Therefore, rectify the pretensioner fault and then retest for faults in the airbag system

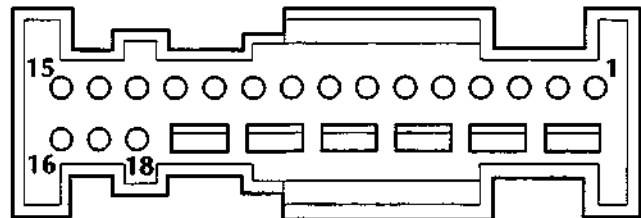
The pretensioner control module can log up to 10 diagnostic trouble codes together with a time since each fault was alerted to the driver. Each fault will be identified as 'Permanent' or 'Intermittent' on the PDU diagnostic trouble codes screen.

System Connections

DB7 is fitted with an Autoliv EC5 or RC5 Pretensioner Control Module. The Pretensioner Control Module has an 18 pin connector featuring six shorting bridges. The mating halves of the connector may be securely locked using a double mechanical locking system.

The following pins on the control module connector are used in the Aston Martin seat belt pretensioner system:

Pin 1	Ground
Pin 2	Airbag Warning Lamp
Pin 11	Drivers airbag positive
Pin 12	Drivers airbag negative
Pin 14	Serial communications
Pin 15	12 volt positive feed
Case	Ground



Note: Pins 1 - 2, 3 - 4, 5 - 6, 7 - 8, 9 - 10 and 11 - 12 are shorted together by internal shorting links within the connector when it is disconnected. The short circuits may be temporarily overcome for fault analysis purposes by inserting a suitable non-metallic cheater (the same size as the pegs in the controller connector) into the rectangular hole opposite the relevant pair of pins.

System Fault Strategy

No single fault may cause an unexpected deployment. The controller will supervise the pretensioner electrical system in order to warn the driver should a fault occur. Any fault detected by the self diagnostics shall cause the SRS/airbag warning lamp to be activated, and in some cases the pretensioner control module to enter shutdown mode. In shutdown mode, the energy of the reserve capacitors shall be discharged to avoid unintended deployment.

As the ignition is switched on, the pretensioner controller will directly discharge the energy capacitors. When the start up procedure is completed without detecting any faults, the DC/DC convertor will be activated allowing the capacitors to be charged. The system shall be fully active within 11 seconds after switching the ignition on providing that no faults are detected.

All system faults monitored by the controller are filtered in software to avoid fault warnings due to transient electrical disturbances.

If a fault which could lead to inadvertent deployment is detected by the microprocessor, a software shutdown will be generated. However, a leakage to an earth or positive potential in the pretensioner output circuit shall not cause the controller to enter shutdown mode.

If a permanent short of the ignition transistor occurs, a shutdown shall be generated by the hardware circuit. If a shutdown occurs, the system shall be unable to deploy the pretensioner after a period of 3 seconds (i.e. capacitors discharged to under minimum deployment voltage).

WARNING: *To avoid the possibility of personal injury caused by accidental deployment of the pretensioner, disconnect the vehicle battery and wait at least 10 minutes for all voltages to fully discharge before working on the pretensioner system. This covers the possibility of the normal capacitor discharge circuits being inoperative and failing to discharge the capacitor when instructed to do so.*

WARNING: *Do not make any electrical measurements on the pretensioner squib. Electrical measurement devices can induce sufficient voltage to cause unintentional firing of the pretensioner assembly*

If the module enters shutdown mode, all diagnostic functions are stopped, but the communications link remains active. A fault code corresponding to the cause of the problem may be read by the PDU.

Assembly/Removal/Service Instructions

WARNING: *In the event of a vehicle impact where the airbags and the seatbelt pretensioner (if fitted) are deployed, the following actions MUST be performed:*

Check the condition of the seatbelts, steering wheel, steering column, all connections to airbags, and the column switchgear connectors for integrity and damage. If in any doubt, replace suspected parts for new parts.

Replace both crash sensors, the safing sensor and the seatbelt pretensioner module (if fitted).

On completion of all repair procedures, switch on the ignition and check that the Airbag/SRS warning light comes on when the ignition is switched on and extinguishes after approximately six seconds indicating satisfactory completion of the airbag and pretensioner system self tests.

Vehicles for the North American, Australian and Japanese markets are fitted with drivers seat belt pretensioner systems and are fitted with a shorting plug in the yellow connector adjacent to the pretensioner control module. Vehicles for other markets do not have drivers seat belt pretensioners fitted but have a blanking plug in the yellow connector adjacent to the pretensioner control module.

6.6.26.1 Pretensioner Control Module - Renew

Read the warnings given in system fault strategy and service instructions on the previous page before starting the following procedure.

Procedure

1. Disconnect the battery ground (black) lead and wait at least 10 minutes for the pretensioner power supply to fully discharge before working on the pretensioner system.

Note: The vehicle battery must be disconnected within 12 seconds of switching off the ignition to avoid the alarm siren sounding.

2. Motor the right front seat to its rearmost position.
3. Remove the floor carpet and the ECU cover.
4. Disconnect the pretensioner control module connector (orange connector with black safety clip).
5. Remove 3 flange screws securing the module, noting the position of the earth strap.
6. Fit the new pretensioner control module with the connector facing to the rear and secure with 3 flange screws ensuring that the earth strap is secured with the outboard rear screw.
7. Connect the orange connector to the control module.
8. Refit and secure the ECU cover and the floor carpet.
9. Reconnect the battery ground (black) lead.

Note: The vehicle clock and the window control unit will need resetting after completion of this procedure.

10. Switch on the ignition and check that the airbag warning light comes on when the ignition is switched on and extinguishes after approximately six seconds indicating satisfactory completion of the pretensioner and airbag system self tests.

6.6.24.1 Pretensioner Assembly Renew

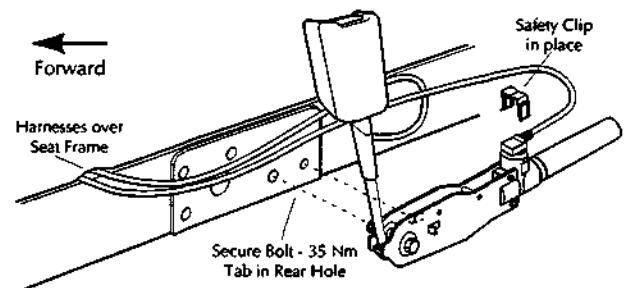
Read the warnings given in system fault strategy and service instructions on the previous page before starting the following procedure.

Procedure

1. Motor the drivers seat to its rearmost position. Disconnect the battery ground (black) lead and wait at least 10 minutes for the pretensioner power supply to fully discharge before working on the pretensioner system.

Note: Disconnect the battery within 12 seconds of switching off the ignition to avoid the alarm siren sounding.

2. Remove the pretensioner trim cover. Unbolt the drivers seat. Tip the seat rearwards and disconnect the seat and pretensioner squib connectors.
3. Release one bolt at the base of the seat belt stalk and remove the pretensioner assembly.
4. Ensure that the safety clip is fitted to the connector at the pretensioner squib. Fit the new assembly, locating the anti-rotation peg into the rear hole of the mounting bracket. Secure the assembly with one bolt. Torque the bolt to 35Nm.



5. Route the pretensioner lead between the seat and the frame. Reconnect the seat and pretensioner connectors. Ensure that the pretensioner connector safety clip is secured. Refit the drivers seat and loosely secure.

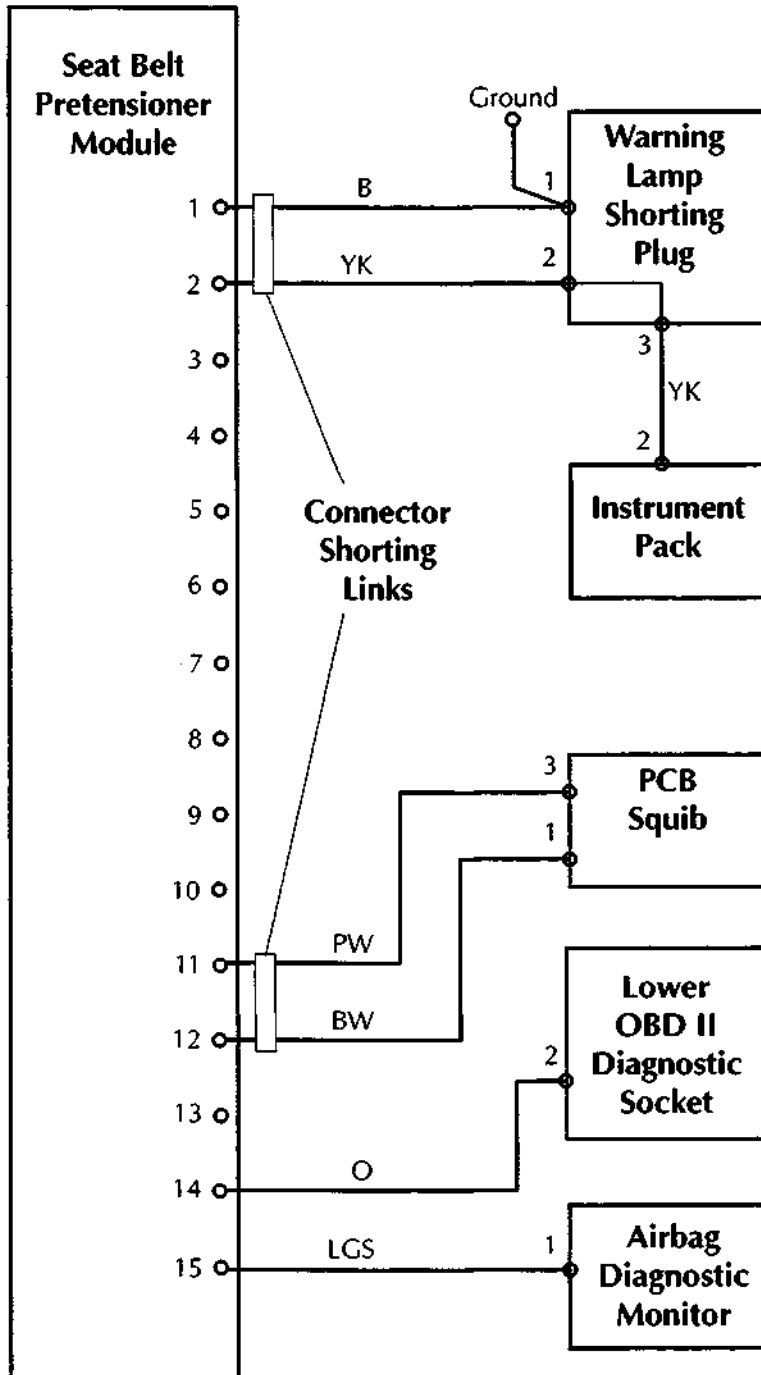
6. Reconnect the battery ground (black) lead.

Note: The vehicle clock and the window control unit will need resetting after completion of this procedure.

7. Switch on the ignition and check that the airbag warning light comes on when the ignition is switched on and extinguishes after approximately six seconds indicating satisfactory completion of the pretensioner and airbag system self tests.

8. Fit the front screws ensuring a 1.2mm gap between screws and slide. Power the seat forward Torque the rear screws to 25 Nm. Power the seat backward. Torque the front screws to 25 Nm.

Seat Belt Pretensioner Circuits



Diagnostic Trouble Codes

- 050A Pretensioner squib leak to battery positive
- 050B Pretensioner squib leak to ground
- 050C Pretensioner squib high resistance
- 050D Pretensioner squib low resistance
- 0D13 Capacitor voltage error
- 0D14 Capacitor capacitance
- 0D09 Energy reserve switch
- 0D1E Energy shutdown switch
- 050E Seatbelt pretensioner switch error
- 0109 Accelerometer function
- 010A Acceleration out of range
- 010B Accelerometer offset
- 0209 Safing sensor error
- 030A Temperature sensor error
- 060C Warning lamp short circuit
- 060D Warning lamp open circuit
- 060E Warning lamp driver error
- 0A0C Analogue voltage error
- 0A09 Communications error
- 090A EEPROM not programmed
- 0909 EEPROM checksum
- 0A0A External watchdog error
- 0A0B External watchdog time out
- 020A Safing sensor not closed
- 090C RAM check error

Seat Belt Pretensioner Diagnostics

WARNING: To avoid the possibility of personal injury caused by accidental deployment of the pretensioner, disconnect the vehicle battery and wait at least 10 minutes for all voltages to fully discharge before working on the pretensioner system. This covers the possibility of the normal capacitor discharge circuits being inoperative and failing to discharge the capacitor when instructed to do so.

WARNING: Do not make any electrical measurements on the pretensioner squib. Electrical measurement devices can induce sufficient voltage to cause unintentional firing of the pretensioner assembly

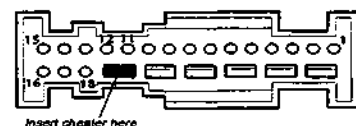
050A Pretensioner Squib Leak to Battery Positive

050A will be logged if the resistance of the pretensioner squib feed or return line to a positive potential falls below 1kΩ.

Procedure

1. Read the warnings given at the start of this pretensioner diagnostics section.
2. Connect the PDU to the lower diagnostic socket and access the pretensioner control module. Verify that an 050A code is logged and note if the fault is shown as intermittent. Note any other codes in the DTC log and then clear all codes.
3. Switch off the ignition and wait at least 10 minutes for the pretensioner squib firing capacitors to fully discharge before continuing with this procedure.
4. Disconnect the pretensioner squib connector at the rearward harness. Disconnect the pretensioner control module and temporarily cheat the squib shorting link.

*Note: The control module harness connector has a shorting link which short circuits the squib lines together when the connector is displaced. Carefully insert a suitable **non-metallic** cheater to remove the short circuit between pins 11 and 12 before continuing with fault diagnosis.*



5. Switch on the ignition and check for a positive potential on the squib feed or return lines at the two pins of the squib harness connector (activating circuits in the rearward harness in turn may assist in identifying the voltage source). If a positive potential is detected, switch off and repair the circuit fault.

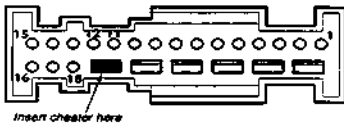
If no short circuit is detected in the rearward harness, go to step 6.

6. With the ignition switched off and the pretensioner squib disconnected, check the squib harness for physical damage.

If any damage is detected, replace the complete pretensioner squib assembly.

If no damage is detected, the fault is possibly in the pretensioner control module. Replace the control module.

7. Remove the cheater from the control module connector.



Reconnect all components. Switch on the ignition and test the vehicle to ensure that the problem is resolved.

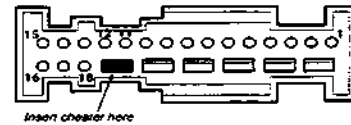
050B Pretensioner Squib Leak to Ground

050B will be logged if the resistance of the pretensioner squib feed or return line to ground falls below 1k Ω .

Procedure

1. Read the warnings given at the start of this pretensioner diagnostics section.
2. Connect the PDU to the lower diagnostic socket and access the pretensioner control module. Verify that an 050B code is logged and note if the fault is shown as intermittent. Note any other codes in the DTC log and then clear all codes.
3. Switch off the ignition and wait at least 10 minutes for the pretensioner squib firing capacitors to fully discharge before continuing with this procedure.
4. Disconnect the pretensioner squib connector at the rearward harness. Disconnect the pretensioner control module and temporarily cheat the squib shorting link.

*Note: The control module harness connector has a shorting link which short circuits the squib lines together when the connector is displaced. Carefully insert a suitable **non-metallic** cheater to remove the short circuit between pins 11 and 12 before continuing with fault diagnosis.*



5. Check for a short circuit to vehicle ground on the squib feed or return lines at the two pins of the squib harness connector. If a short circuit is detected, switch off and repair the circuit fault.

If no short circuit is detected in the rearward harness, go to step 6.

6. With the ignition switched off and the pretensioner squib disconnected, check the squib harness for physical damage.

If any damage is detected, replace the complete pretensioner squib assembly.

If no damage is detected, the fault is possibly in the pretensioner control module. Replace the control module.

7. Remove the cheater from the control module connector. Reconnect all components. Switch on the ignition and test the vehicle to ensure that the problem is resolved.

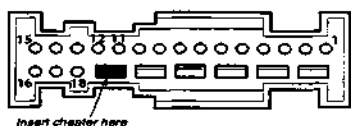
050C Pretensioner Squib High Resistance

050C will be logged if the resistance of the pretensioner squib circuit rises above $4.5 \pm 0.5\Omega$

Procedure

1. Read the warnings given at the start of this pretensioner diagnostics section.
2. Connect the PDU to the lower diagnostic socket and access the pretensioner control module. Verify that an 050C code is logged and note if the fault is shown as intermittent. Note any other codes in the DTC log and then clear all codes.
3. Switch off the ignition and wait at least 10 minutes for the pretensioner squib firing capacitors to fully discharge before continuing with this procedure.
4. Disconnect the pretensioner squib connector at the rearward harness. Disconnect the pretensioner control module and temporarily cheat the squib shorting link.

*Note: The control module harness connector has a shorting link which short circuits the squib lines together when the connector is displaced. Carefully insert a suitable **non-metallic** cheater to remove the short circuit between pins 11 and 12 before continuing with fault diagnosis.*



5. Check the continuity of the squib feed and return lines. If any significant resistance is measured, service the wiring as necessary.

Also check the condition of the connector pins for damage or lack of tension and service as necessary.

If the circuit resistance is acceptable and the connector pins are good, go to step 6.

If any defects are identified and serviced, go to step 7.

6. If the checks in step 4 are good, the high circuit resistance must be in the pretensioner squib or in the control module. Replace the pretensioner squib and reconnect all components.
7. Clear all logged DTCs from the pretensioner control module and then test the vehicle.

If the 050C code is logged again, replace the control module.

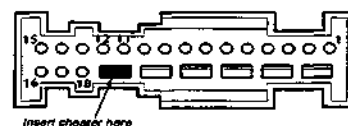
050D Pretensioner squib low resistance

050D will be logged if the resistance of the pretensioner squib circuit falls below $1.4 \pm 0.4\Omega$

Procedure

1. Read the warnings given at the start of this pretensioner diagnostics section.
2. Connect the PDU to the lower diagnostic socket and access the pretensioner control module. Verify that an 050D code is logged and note if the fault is shown as intermittent. Note any other codes in the DTC log and then clear all codes.
3. Switch off the ignition and wait at least 10 minutes for the pretensioner squib firing capacitors to fully discharge before continuing with this procedure.
4. Disconnect the pretensioner squib connector at the rearward harness. Disconnect the pretensioner control module and temporarily cheat the squib shorting link.

*Note: The control module harness connector has a shorting link which short circuits the squib lines together when the connector is displaced. Carefully insert a suitable **non-metallic** cheater to remove the short circuit between pins 11 and 12 before continuing with fault diagnosis.*



5. Check the continuity from the squib feed line to the squib return line. With the shorting link cheated, the resistance should be more than $10k\Omega$. If the resistance is less than $10k\Omega$, service the wiring as necessary.

Also check the connector pins for any damage which could cause an unintentional short circuit.

6. If the checks in step 5 are good, the low circuit resistance must be in the pretensioner squib or in the control module. Replace the pretensioner squib and reconnect all components.
7. Clear all logged DTCs from the pretensioner control module and then test the vehicle.

If the 050D code is logged again, replace the control module.

060C Warning Lamp Short Circuit

060C will be logged if the monitor current flow through the SRS/Airbag warning lamp is excessive.

The warning lamp circuit is normally at 12 volts and is switched to ground by the airbag control module or by the pretensioner control module when one of these control modules detects a fault.

If either control module connector is displaced and the ignition is switched on, the warning lamp will be illuminated via the ground shorting link between pins 1 and 2 of the pretensioner controller connector or pins 4 and 5 of the airbag controller connector. Both control modules must be checked for the appropriate DTC to isolate which circuit is at fault.

Procedure

1. Connect the PDU to the lower diagnostic socket and access the pretensioner control module. Verify that an 060C code is logged and note if the fault is shown as intermittent. Note any other codes in the DTC log and then clear all codes. Go to step 2.

If fault code 060C is not logged, go to the diagnostics section of the airbag system.

2. Check the security of the pretensioner control module connector.

If the connector is secure, go to step 3.

If the connector is displaced, resecure the connector. Clear all logged DTCs and retest the vehicle to ensure that the problem is resolved.

3. Access the SRS/Airbag warning lamp and check the lamp resistance.

If the resistance is approximately 120Ω, the lamp is good. Refit the lamp and go to step 4.

If the resistance of the lamp is significantly less than approximately 120Ω, fit a new lamp and refit the instrument panel. Clear the logged DTCs from the pretensioner control module and retest the vehicle to ensure that the problem is resolved.

4. If the checks in step 3 are good, the low circuit resistance must be in the instrument pack or in the control module. Replace the pretensioner control module and reconnect all components.

6. Switch on the ignition and then test the vehicle.

If the 060C code is logged again, replace the instrument pack.

060D Warning lamp open circuit

060D will be logged if the monitor current flow through the SRS/Airbag warning lamp is below the normal monitor level.

The warning lamp circuit is normally at 12 volts and is switched to ground by the airbag control module or by the pretensioner control module when one of these control modules detects a fault.

Procedure

1. Connect the PDU to the lower diagnostic socket and access the pretensioner control module. Verify that an 060D code is logged and note if the fault is shown as intermittent. Note any other codes in the DTC log and then clear all codes. Go to step 2.

If fault code 060D is not logged, go to the diagnostics section of the airbag system.

2. Switch off the ignition. Access the SRS/Airbag warning lamp and check the lamp resistance. The resistance should be approximately 120Ω.

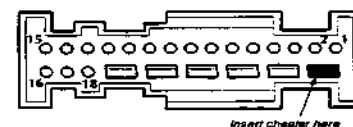
If the resistance is 120Ω, go to step 3.

If the lamp resistance is significantly lower than 120Ω, replace the lamp. Retest the vehicle to ensure that the problem is resolved.

3. Wait 10 minutes after switching off the ignition to ensure that the pretensioner firing capacitors have fully discharged.

Disconnect the pretensioner control module and temporarily cheat the warning lamp shorting link.

*Note: The control module harness connector has a shorting link which short circuits the warning lamp line (pin 2) to ground (pin 1) when the connector is displaced. Carefully insert a suitable **non-metallic** cheater to remove the short circuit between pins 1 and 2 before continuing with fault diagnosis.*



4. Check the continuity of the line from pretensioner control module pin 2 to instrument pack green connector pin 2.

If continuity is approximately 0Ω , go to step 5.

If the line resistance is significantly greater than 0Ω , service the wiring as necessary. Reconnect all components and test the vehicle to ensure that the problem is resolved.

5. If the lamp and wiring checks are good, the fault lies in the instrument pack or in the control module.

Replace the control module and retest. If the fault persists, replace the instrument pack. Reconnect all components and test the vehicle to ensure that the problem is resolved.

Pretensioner Control Module Internal Faults

The following codes indicate internal faults within the pretensioner control module.

0209 Safing sensor error
030A Temperature sensor error
0D13 Capacitor voltage error
0D14 Capacitor capacitance
0D09 Energy reserve switch
0D1E Energy shutdown switch
050E Seatbelt pretensioner switch error
0109 Accelerometer function
010A Acceleration out of range
010B Accelerometer offset
0A0C Analogue voltage error
090A EEPROM not programmed
0909 EEPROM checksum
090C RAM check error
060E Warning lamp driver error
0A09 Communications error
0A0A External watchdog error
0A0B External watchdog time out
020A Safing sensor not closed

If any of the above codes are logged, replace the pretensioner control module.

6.6.03 Seat Removal 97.5 MY

Description

The 97.5 MY front seats are common to the DB7 Coupe and Volante models. Seat switch assemblies are located on the outboard side of both driver and passenger seats. The front switch controls fore and aft movement and the seat height adjustment. The centre switch controls the recline adjustment. The rear switch controls the lumbar support adjustment.

The seat heater switches are mounted on the centre console, forward of the gear selector lever.

Only one of the slide, recline or height motors can be driven under manual control at any one time.

Each seat switch pack is hard wired to the relevant Seat Control Module beneath each seat. The module outputs are hard wired to the seat motors.

Removal

WARNING - Seat belt Pretensioners (if fitted):

To avoid the possibility of personal injury caused by accidental deployment of the seat belt pretensioner, disconnect the vehicle battery and wait at least 10 minutes for all voltages to fully discharge before working on the pretensioner system. This covers the possibility of the normal capacitor discharge circuits being inoperative and failing to discharge the detonator capacitor when instructed to do so.

Procedure

1. Motor the seat to its maximum forward position and remove the fixings at the rear of the slides.
2. Motor the seat to its maximum rearward position and remove the front seat slide fixings.
3. Disconnect the battery ground (black) lead. Wait at least 10 minutes for the pretensioner power supply to fully discharge before working on the seat if a pretensioner is fitted.

Note: Disconnect the battery within 12 seconds of switching off the ignition to avoid the alarm siren sounding.
4. Disconnect the two harness connectors from the seat control module. Also disconnect the yellow connector from the pretensioner control module if a pretensioner is fitted.

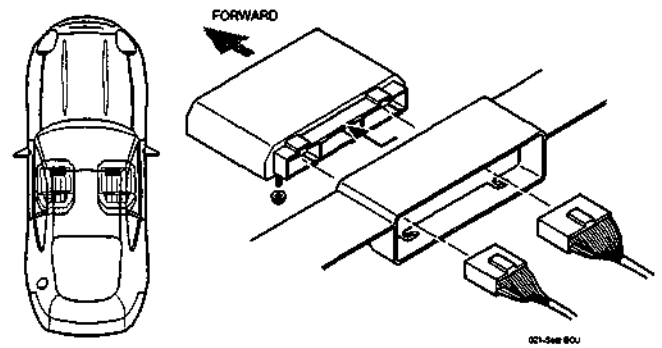


Figure 1. Control module connectors

5. Remove the tie straps and release the seat harness.
6. Remove the seat earth screw from the sill.
7. Tip the seat forwards and remove from the vehicle.

Steps 10-12 Seat Belt Pretensioner vehicles only.

8. Remove the seat belt pretensioner cover (if fitted)
9. Disconnect the buckle fly-lead from the pretensioner.
10. Release one bolt at the base of the seat belt stalk and remove the pretensioner assembly.

Reassembly and Replacement

Steps 1-3 Seat Belt Pretensioner vehicles only.

1. Ensure that the safety clip is fitted to the pretensioner connector at the squib.
 2. Fit the assembly to the seat, locating the anti-rotation peg into the rear hole of the mounting bracket. Secure the assembly with one bolt tightened to 35 Nm.
 3. Route the pretensioner lead between the seat and frame. Refit the pretensioner cover.
- #### **All vehicles**
4. Replace the seat in the vehicle. Reconnect and secure the harnesses with tiestraps.
 5. Reconnect the vehicle battery.

Note: The vehicle clock and the window control units will need resetting after completion of this procedure.

6. Switch on the ignition and check that the airbag warning lamp comes on when the ignition is switched on and extinguishes after approximately six seconds indicating satisfactory completion of the pretensioner and airbag system self tests.
7. Fit the front seat retaining screws ensuring a 1.2mm gap between the screw heads and the slides. Power the seat forward and refit the rear screws.

Caution: Centralise the rear fixing holes with the body weld nuts prior to inserting the bolts.

Torque the rear screws to 25 Nm. Power the seat backwards. Torque the front screws to 25 Nm.

8. Motor the seat through its full range of movement to ensure correct operation.

6.6.08 Seat Control Module 97.5 MY

Removal

WARNING - Seat belt Pretensioners (if fitted):

To avoid the possibility of personal injury caused by accidental deployment of the seat belt pretensioner, disconnect the vehicle battery and wait at least 10 minutes for all voltages to fully discharge before working near the pretensioner system. This covers the possibility of the normal capacitor discharge circuits being inoperative and failing to discharge the detonator capacitor when instructed to do so.

1. Lower the door window and open the relevant door. Disconnect the battery ground cable and wait for 10 minutes if a pretensioner is fitted. Otherwise, proceed immediately to step 2.

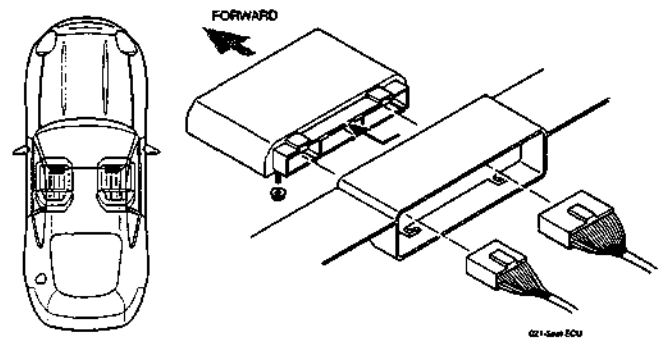


Figure 1. Seat ECU Removal

2. Loosen two nuts securing the seat ECU. Slide the ECU to the left and remove it from the front of the seat.
3. Disconnect two connectors from the ECU.

Replacement

1. Reconnect the two control module connectors. Fit the seat control module and tighten the two securing nuts.
3. Reconnect the battery ground and test for correct operation of the seat controls.

Contents

Body and Trim	7-1
Body Repair	7-2
Potential Risks	7-2
Precautions	7-3
General Repair Notes	7-3
Steel Body Parts - Repair, Remove and Replace	7-4
RTM Body Parts	7-5
Body Panel and Trim Removal	7-6
Front Apron	Sheet 1
Front Undertray	Sheet 2
Wheel Arch Liners	Sheet 3
Side Sills (top fixings)	Sheet 4
Side Sills (bottom fixings)	Sheet 5
Rear Bumper	Sheet 6
Doors	Sheet 7
Door Liners	Sheet 8
Door Liner (components)	Sheet 9
Steering Wheel	Sheet 10
Column Switches	Sheet 11
Instrument Panel (surround)	Sheet 12
Instrument Panel	Sheet 13
Facia Underscuttles	Sheet 14
Glove Box	Sheet 15
Facia Mountings (1)	Sheet 16
Facia Mountings (2)	Sheet 17
Console Instruments	Sheet 18
Radio	Sheet 19
Front Seats	Sheet 20
Ashtray	Sheet 21
Centre Console	Sheet 22
Seat ECU Covers	Sheet 23
Rear Console	Sheet 24
Rear Seats and C Post Trim	Sheet 25
Quarter Panels, B Post Panels, Parcel Shelf	Sheet 26
Headlining	Sheet 27
Roof System Description and Repair Procedures	
Volante Roof	7-7
Roof and Rear Quarter Light Control	7-7
Roof Component Location	7-8
Roof Control System	7-9
9.0.02.1 Roof Removal/Replacement	7-10
9.0.02.3 Roof Hydrailic Control System	7-11
9.0.02.5 Bleeding the Roof Hydraulic System	7-12
9.1.01.1 Rear Quarter Window Renewal	7-13
9.1.01.2 Rear Quarter Glass Adjustment	7-14
9.1.01.4 Rear Quarter Window Lift Motor - LH	7-15
9.1.01.5 Rear Quarter Window Lift Motor - RH	7-16
Roof Sealing and Wind Noise	7-17
9.2.01.5 'A' Post/Header Sealing and Lock Adj	7-17
9.2.01.6 Roof Seals - Adjustment	7-18
9.2.01.7 Cheater Plate Seals - Adjust/Renew	7-19
9.2.01.8 Door Glass Adjustment	7-20
Alcantara Cleaning	7-21

Body Repair

Introduction

This section contains information for the body repair and rectification of the vehicle. Wherever possible the vehicle must be returned to its original manufactured condition. Following repair the vehicle must be fully checked and, if necessary, the braking system and steering must be fully reset.

Health and Safety

Ensure that the correct working practices are established before beginning work.

Observe that the correct working practices are followed whether they be legislative or common sense.

Be aware of the potential risks of using materials used in the manufacture and repair of vehicles and take the appropriate precautions.

Warning: Make sure that the working practices for the air conditioning system are followed: do not vent the refrigerant directly into the atmosphere and always use the approved recovery/recycle /recharge equipment, always wear suitable protective garments to prevent injury to the eyes and the skin.

Potential Risks

Paint

If the organic solvents, contained in paints, are inhaled for any length of time damage can be caused to the liver, kidneys, respiratory tract and the digestive system.

Prolonged exposure to isocyanates can cause lung sensitisation and asthma-like symptoms can develop with subsequent re-exposure to even low concentrations.

Solvent inhalation can cause dizziness or loss of consciousness.

Inhalation of spray dust and sanding debris can cause lung damage.

Paint activators and additives will damage the eyes or can cause dermatitis if allowed to splash and come into contact with these areas. Peroxide and acid catalysts can cause burns.

Applied heat

There is considerable risk of damage to the eyes and skin when welding or flame cutting.

Fire is a serious danger as many materials and fluids in the vehicle are inflammable.

Toxic and dangerous fumes can be liberated when the following are subjected to heat; expanded foam, corrosion protection, adhesive and sealing compounds, trim, seat material and paints that contain isocyanates.

When heated to a temperature of 300°C, polyurethane based compounds can liberate small quantities of isocyanate. Many types of nitrogen containing chemicals may be liberated as breakdown products, these chemicals can contain isocyanates, oxides of nitrogen and hydrogen cyanide.

Potentially toxic or asphyxiant fumes and gases are produced by welding, for example; zinc oxide with zinc coated panels and ozone gas from the MIG process.

Metal repair

There is considerable risk of damage to the eyes, ears and skin when metal cutting, forming and dressing is being carried out.

Soldering may be hazardous because of heat generated fumes and skin contact with the materials.

Precautions

Paint

Ensure that there is efficient ventilation at all times. Paint spraying should be confined to spray booths.

Anyone with a history asthma should not be engaged in any process which involves the use of isocyanates.

Any operator working inside a spray booth where isocyanates are present must use air-fed breathing equipment. Supplied air to the visor should be fed at the recommended pressure and filtered to remove oil, water and fumes.

Operators involved in handling, mixing or spraying should wear protective clothing, gloves and goggles to avoid skin and eye contact. A Particle mask or canister typr respirator should be worn when sanding.

Applied heat

When welding, flame cutting or brazing and so on, goggles, a mask or fume extractor and flameproof protective clothing should be used always.

It is especially important when working with polyurethane compounds to use air-fed breathing equipment.

Ensure that at all times the appropriate fire fighting equipment is available and that personnel are trained in its use.

Metal repair

Wear appropriate eye and hand protection when sanding, drilling, cutting, chiselling, flattening or welding. Wear a face mask or air-fed visor when sanding or flattening either body solder or fillers. When a soldering operation has been completed, remove swarf from the work area and wash your hands thoroughly.

General Repair Notes

The following precautions should be noted before any work is carried out:

- disconnect the vehicle battery ground lead, taking note of the reconnection procedures
- Make sure that you have read and understood the safety related procedures in this section.

Caution: Electric arc welding must not be used on the vehicle as the high voltages produced by this process will cause irreparable damage to the electrical control and microprocessor systems.

All trim and electrical components in the locality of the repair must be removed or disconnected prior to panel removal or replacement.

Welding and Gas Process Special Notes

Resistance spot welding, MIG welding and all gas processes may only be carried out on bare, unpainted or unplated metal. The flanges of panels, which are to be welded together, must be clean, corrosion free and treated as appropriate with either weld-through or inter-weld sealer.

The resistance spot welding equipment used in vehicle repair does not always produce a weld of equivalent strength to that produced in manufacturing. This means that a single row of spot welds should be spaced on a pitch of 19-25 mm, which will usually result in more spot welds than found in the original factory joint.

Use a resistance spot weld cutter to remove resistance spot welds. Where a new joint is to be MIG welded, cut the old resistance spot welds from the panel that is to be retained; the resulting holes are then used for plug welding. Suitable holes may be drilled or punched as follows:

- 8.0 mm for sections up to 1.6 mm thickness
- 10.0 mm for thicker sections.

Always refer to the welding equipment manufacturers diagrams and tables for the relevant procedure.

Steel Body Parts - Repair, Remove and Replace

Removal

1. Expose the resistance spot weld. For those spot welds that are not obviously visible use a rotary wire brush fitted to an air drill or a hand held wire brush.

Caution: Do not burn off underseal, use a 'hot knife' or a suitable solvent.

2. Cut out the spot welds using a Zipcutter or roto-Bor. At this point it may be necessary to cut out the bulk of a panel using a pneumatic saw.

Note: On some panels, before removing the bulk of the panel, brazed areas and MIG welded seams should be removed.

3. Separate the spot welded joints and remove the panel remnants.

Preparing Old Surfaces

1. Remove the weld nuggets with a sander and 36 grit disc.
2. Clean all flanges to a bright smooth finish.
3. Straighten existing panel joint edges as required.

Preparing New Surfaces

1. Mark off the area of the new panel and cut to size leaving approximately two inches overlap on the existing panel
2. Offer up the new panel or section and align it with the associated parts.
3. Clamp the panel into position.
4. Where necessary, cut the new and original panels to form a butt joint.
5. Remove all clamps and the new panel.
6. If required, apply the inner panel protection and or sound insulation.

7. Prepare the new panel joint edges for welding by cleaning to bright metal, both interior and exterior edges.
8. Apply weld through primer or inter-weld sealer to all surfaces to be resistance spot welded.
9. Where appropriate, apply metal-to-metal adhesive or sealer in accordance with the manufacturer's instructions.

Panel Alignment

1. Align the replacement panel with the associated panel and clamp it in position.
2. With certain panels it may be necessary to tack weld or use PK screws.

Welding

1. MIG tack the butt joints.
2. Re-check the alignment and the panel contours as necessary.
3. Select the correct arms for resistance spot welding and ensure that the tips are correctly trimmed.

Note: It is recommended that the arms are not more than 12 in (300 mm) in length.

4. Test the equipment for satisfactory operation using test coupons.

In the absence of test equipment a satisfactory weld can be verified by pulling the test coupons apart and viewing the welded condition.

5. Resistance spot weld where required. Note the presence of zinc coated panels and treat as previously described.
6. Dress back all MIG tack welds.
7. MIG seam weld the butt joints.
8. Dress all welds as required.
9. Final braze and lead load as necessary prior to paint preparation.

RTM Body Parts

Certain exterior panels of the vehicle are manufactured from RTM as shown as shaded areas in Figure 1. The Front and rear bumpers are made from R-RIM

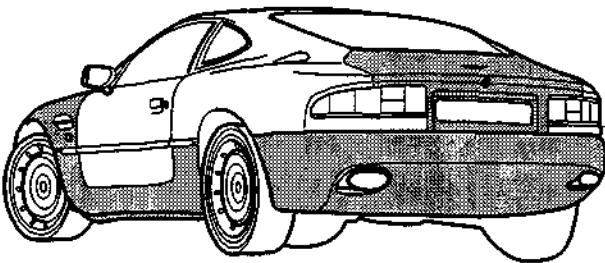
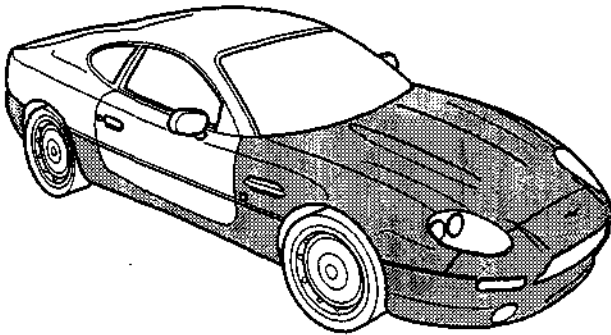


Figure 1.

Damage Recognition

Before any remedial action is carried out the damaged should be assessed. If the cover has been holed or torn it must be replaced. Repair should be attempted only if the damage falls into one of the following three categories.

Cosmetic	Abrasion to the surface paint finish
Substrate surface	Deep scratches, gouges or localised radial stress cracks.
Substrate penetration	Splits not exceeding 100 mm. Splits radiating from a gouge and accompanied by localised stress cracks.

Repair Procedures

Cosmetic Damage

Repair the paintwork using standard procedures.

Substrate surface

Where the defect does not affect the physical strength of the panel, fill and repaint using standard techniques.

Substrate Penetration

No reliable repair procedures are possible to correct major physical damage to RTM panels. Any small defect which do not affect the integrity or security of the panel may be filled and repainted at the owners risk.

Note: Because of the inherent flexibility of plastic panels, hard filler may crack. Such repairs cannot therefore be guaranteed.

Where the damage affects the security and or the integrity of the panel, it must be replaced.

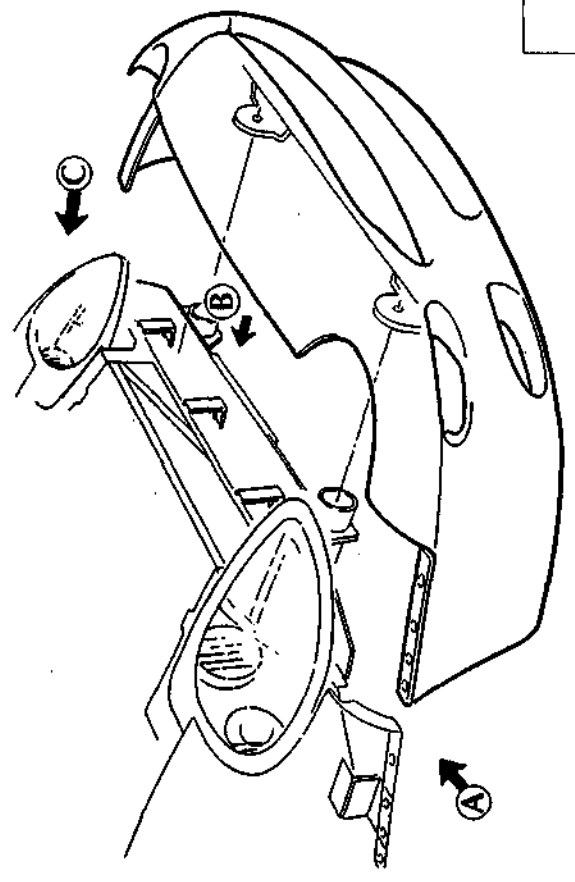
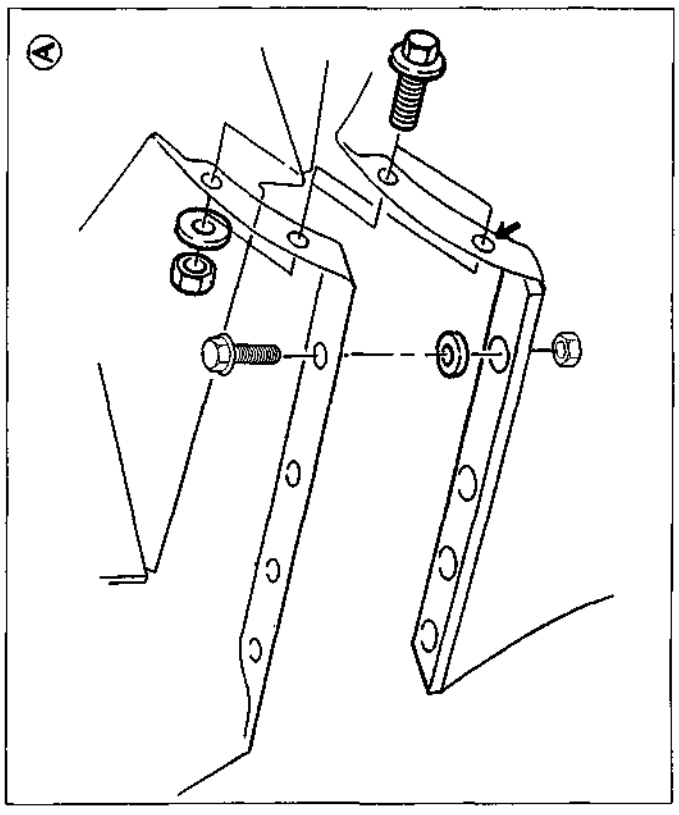
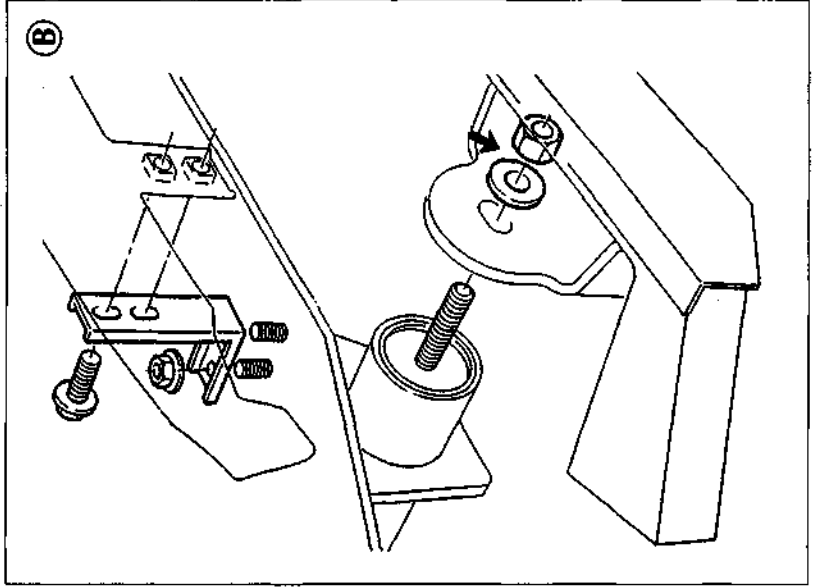
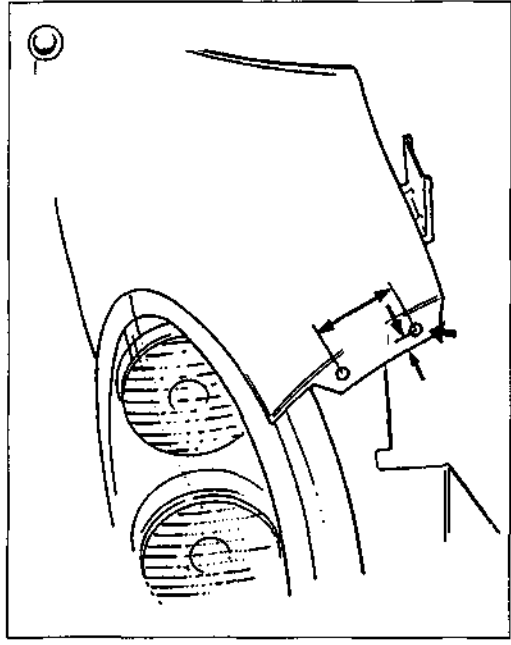
Precautions during Paint Operations

When any repair operation is being completed on the DB7 paintwork, take particular care to protect the leather upholstery and trim from paint contamination.

Body Panel and Trim Removal

The following diagrams show the fixings for all removeable body and trim panels.

- Sheet 1. Front Apron
- Sheet 2. Front Undertray
- Sheet 3. Wheel Arch Liners
- Sheet 4. Side Sills (top fixings)
- Sheet 5. Side Sills (bottom fixings)
- Sheet 6. Rear Bumper
- Sheet 7. Doors
- Sheet 8. Door Liners
- Sheet 9. Door Liner (components)
- Sheet 10. Steering Wheel
- Sheet 11. Column Switches
- Sheet 12. Instrument Panel (surround)
- Sheet 13. Instrument Panel
- Sheet 14. Facia Underscuttles
- Sheet 15. Glove Box
- Sheet 16. Facia Mountings (1)
- Sheet 17. Facia Mountings (2)
- Sheet 18. Console Instruments
- Sheet 19. Radio
- Sheet 20. Front Seats
- Sheet 21. Ashtray
- Sheet 22. Centre Console
- Sheet 23. Seat ECU Covers
- Sheet 24. Rear Console
- Sheet 25. Rear Seats and C Post Trim
- Sheet 26. Quarter Panels, B Post Panels, Parcel Shelf
- Sheet 27. Headlining

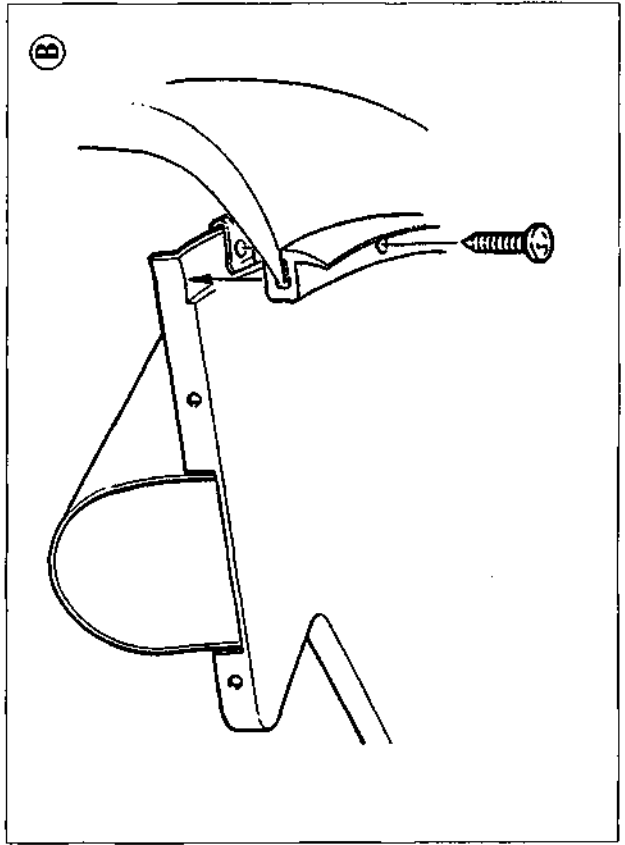
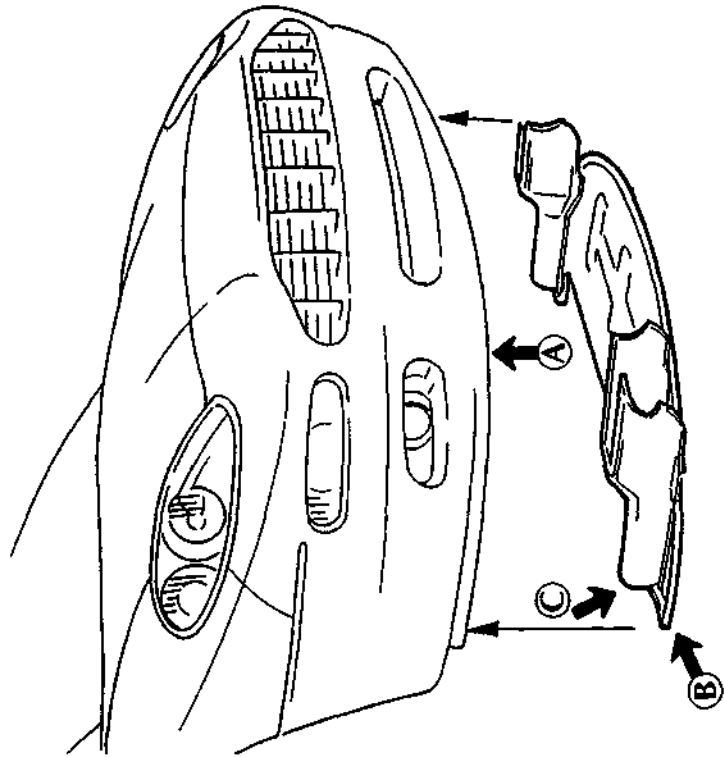
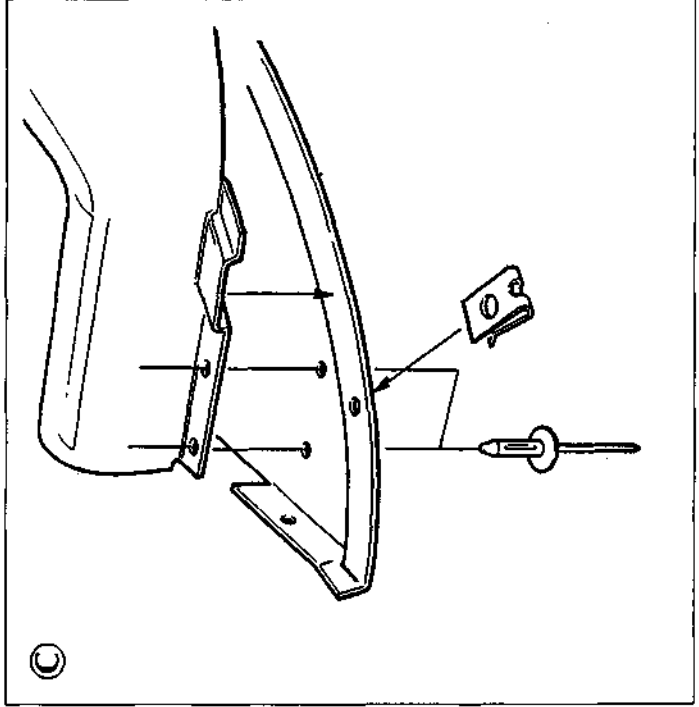
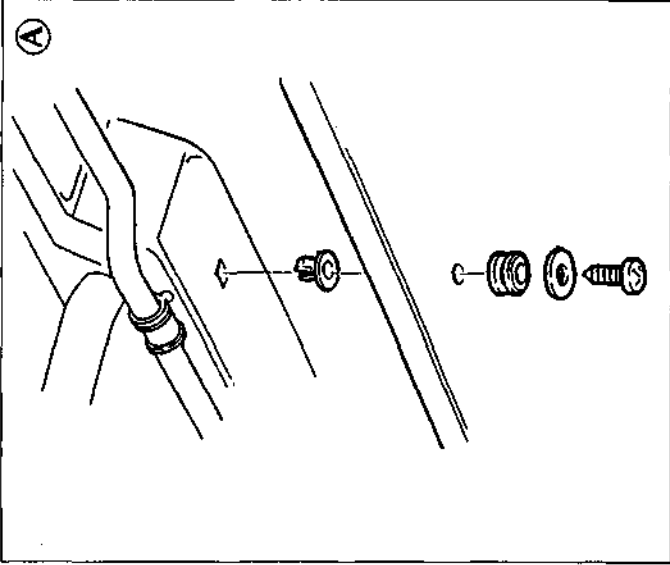


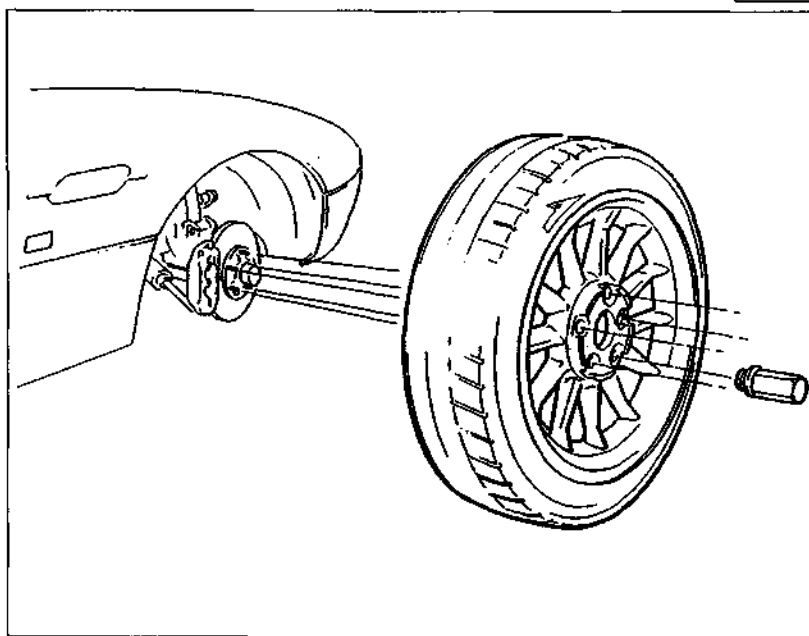
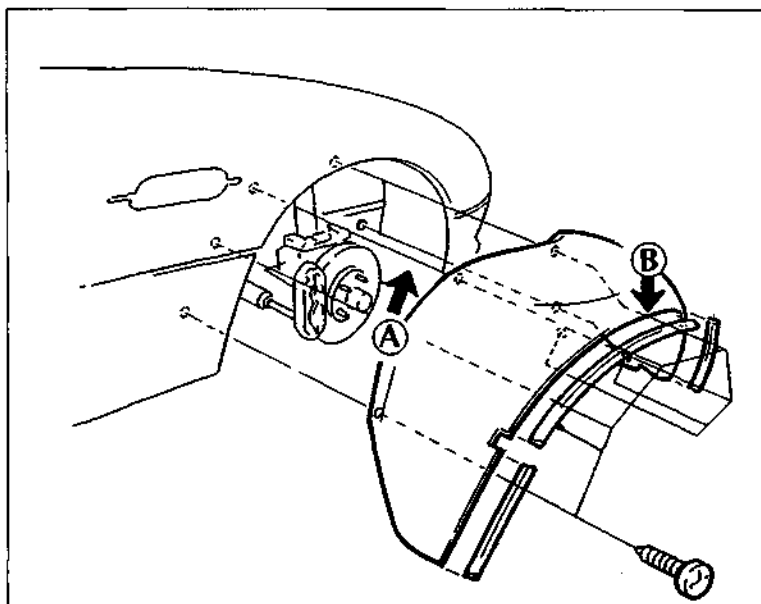
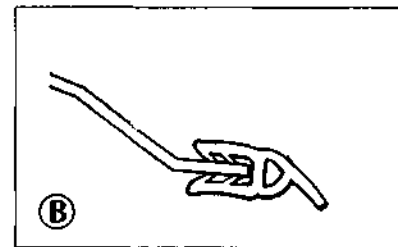
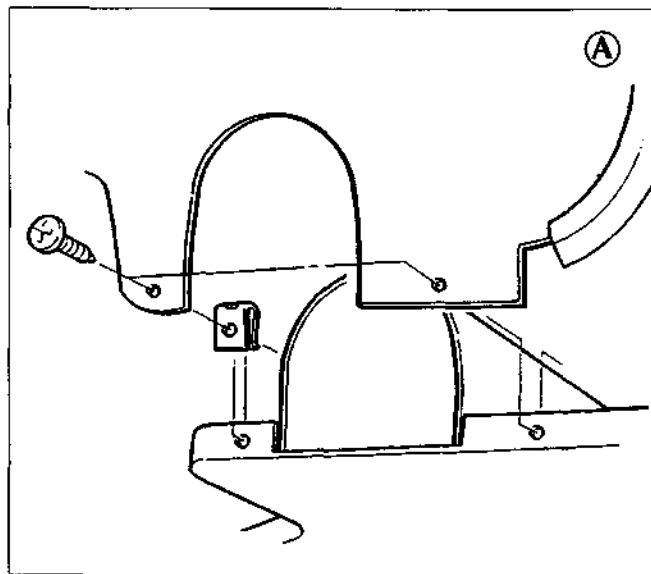
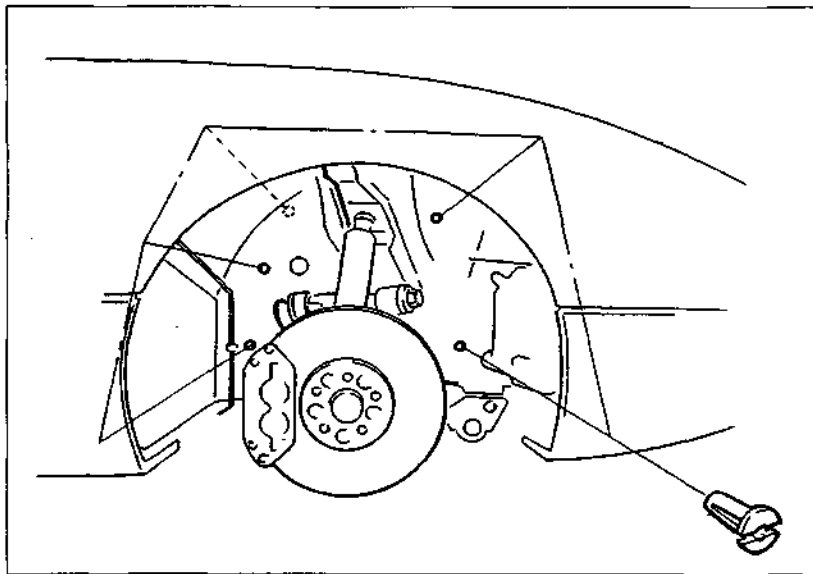
DB7

Body and Trim

Sheet 2

**Front
Undertray**





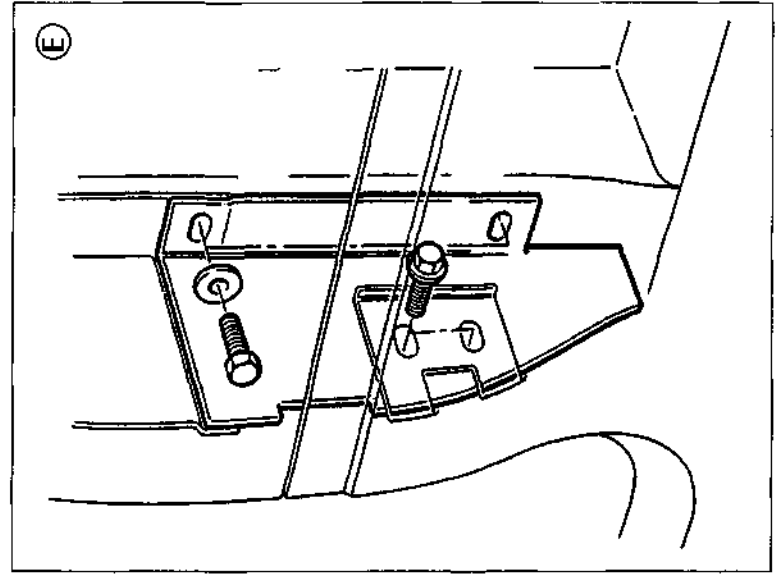
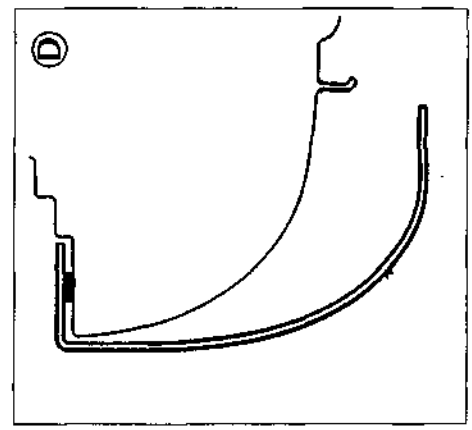
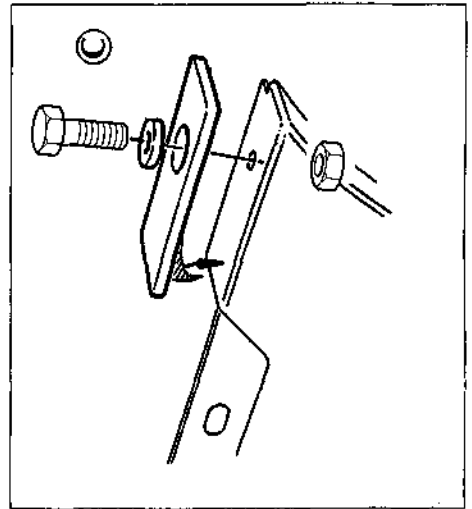
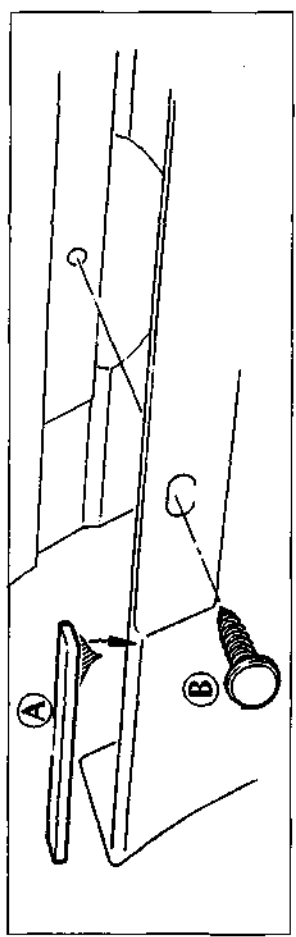
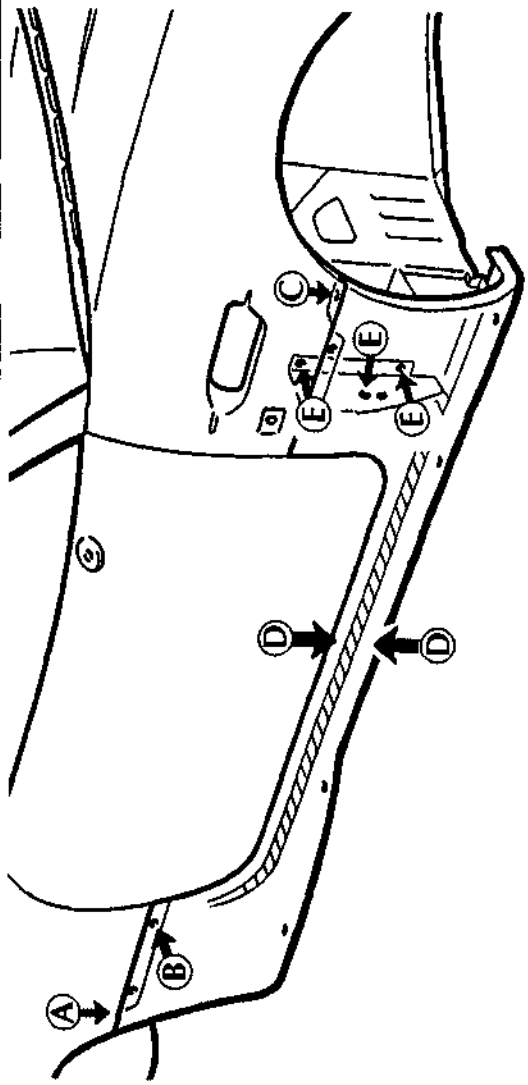
Caution: Take extreme care to avoid damaging the wing edge during liner removal.

1. Remove the liner securing screws.
2. Pull down the inside of the liner and pull off the edge seals.
3. Pull the liner lower corners together and ease the liner down and out of the wheel arch.
4. Refit the edge seals to the liner before refitting.

DB7
Body and Trim

Sheet 3

**Wheel Arch
Liners**

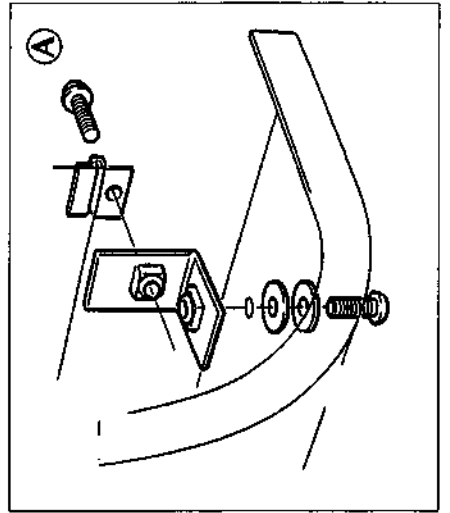
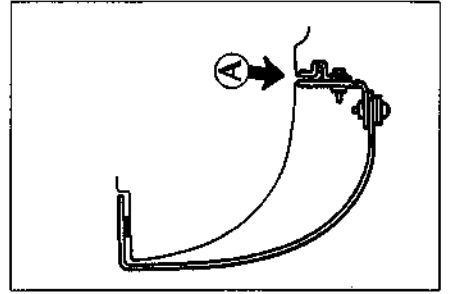
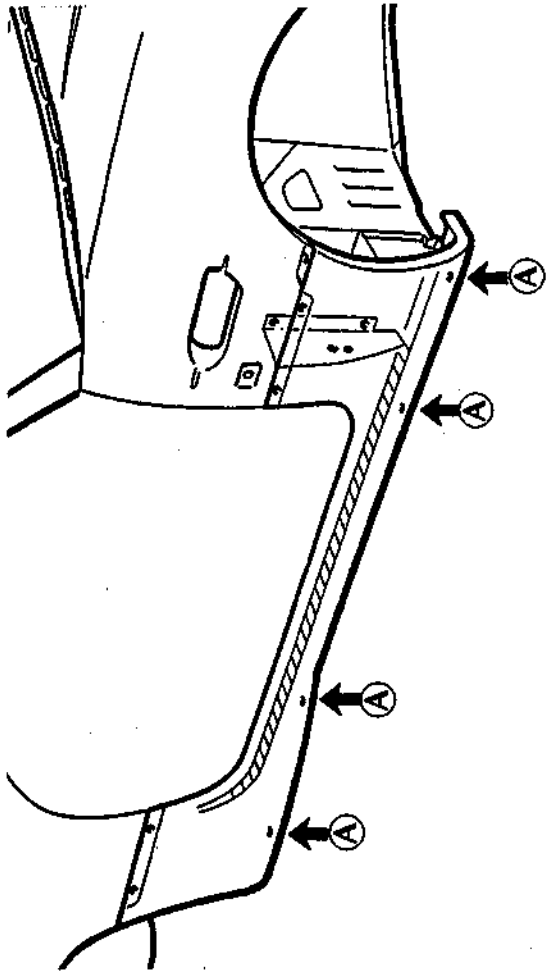


DB7

Body and Trim

Sheet 5

Side Sills
(Bottom Fixings)

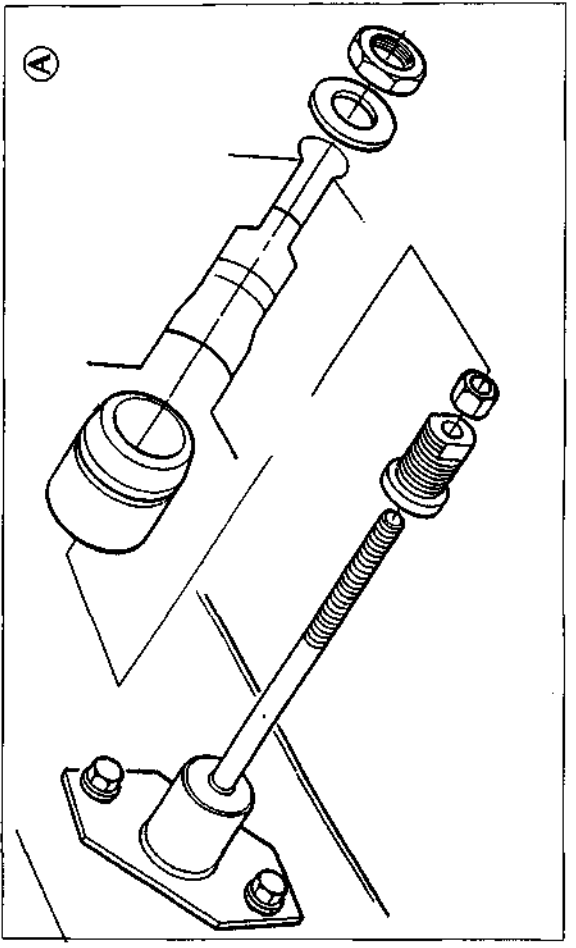
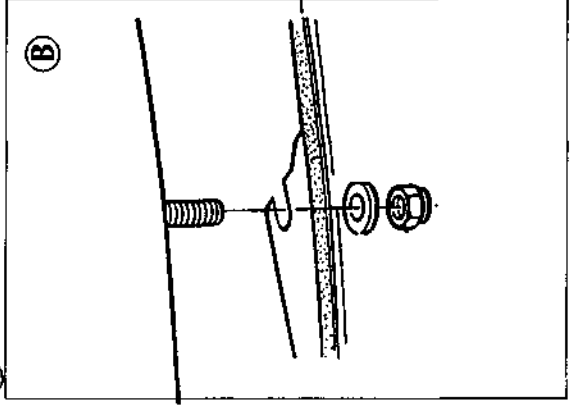
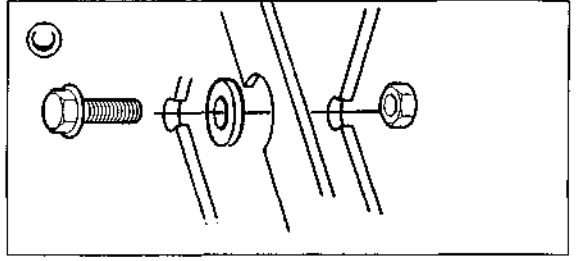
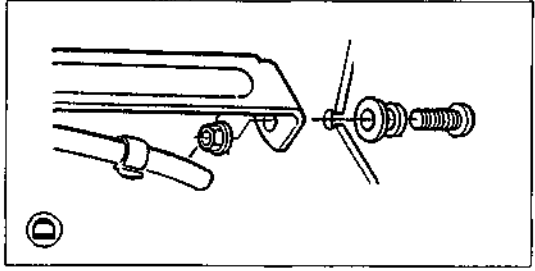
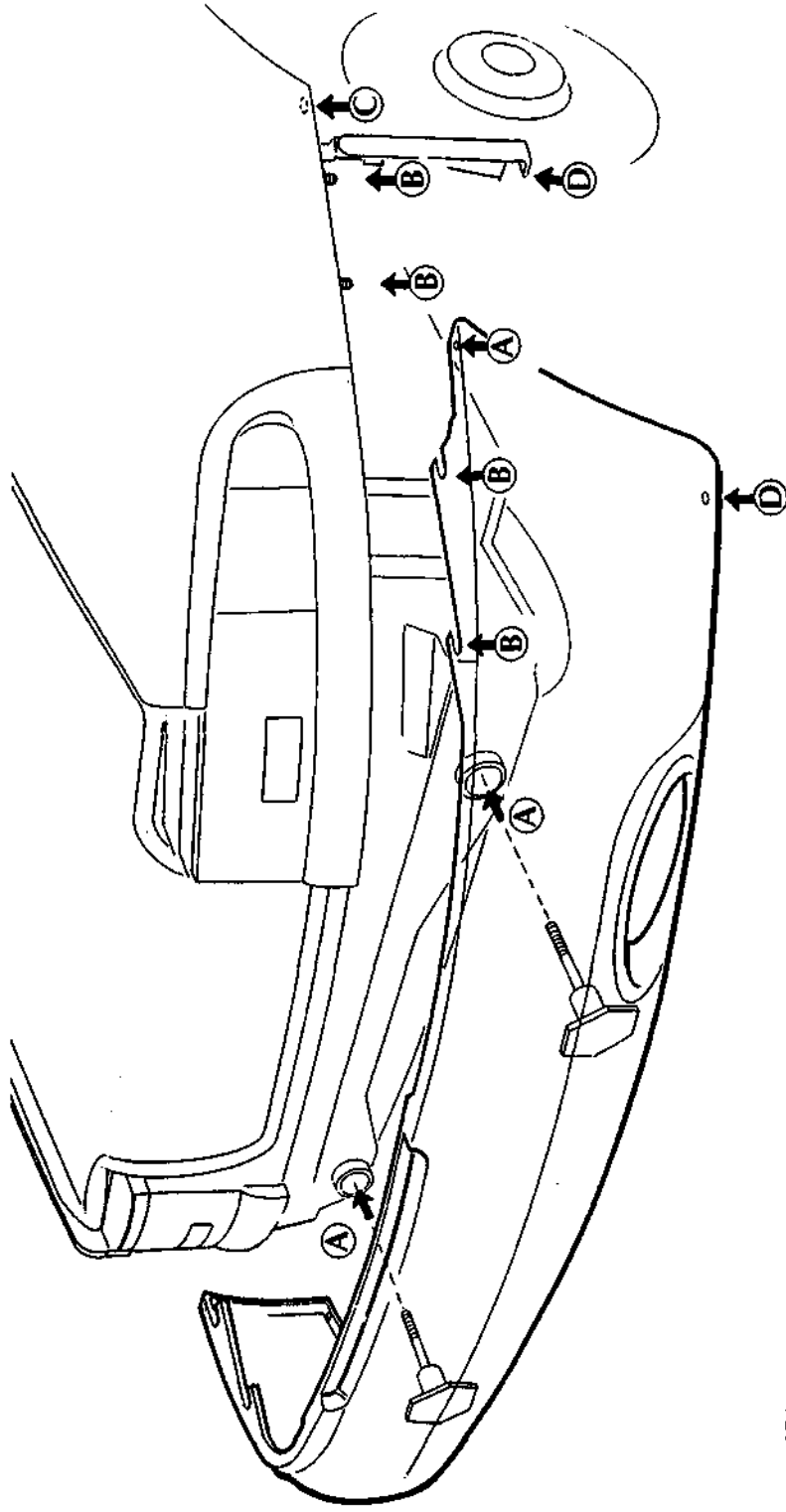


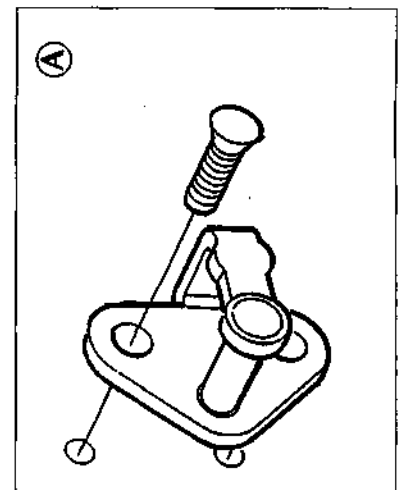
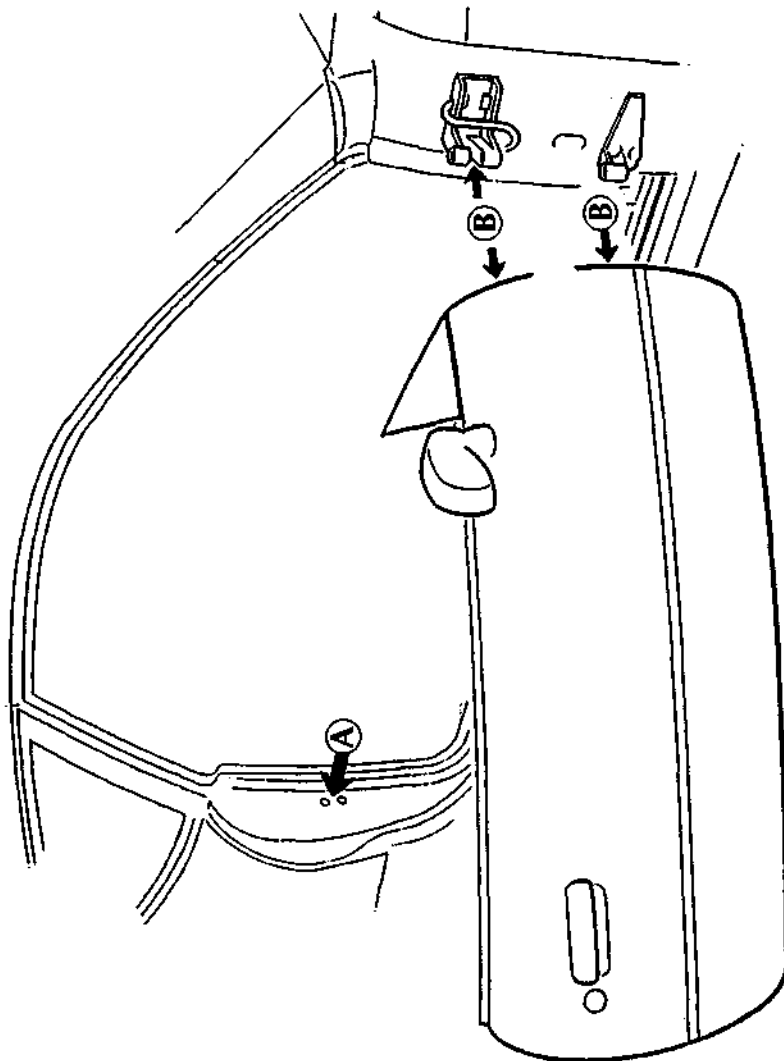
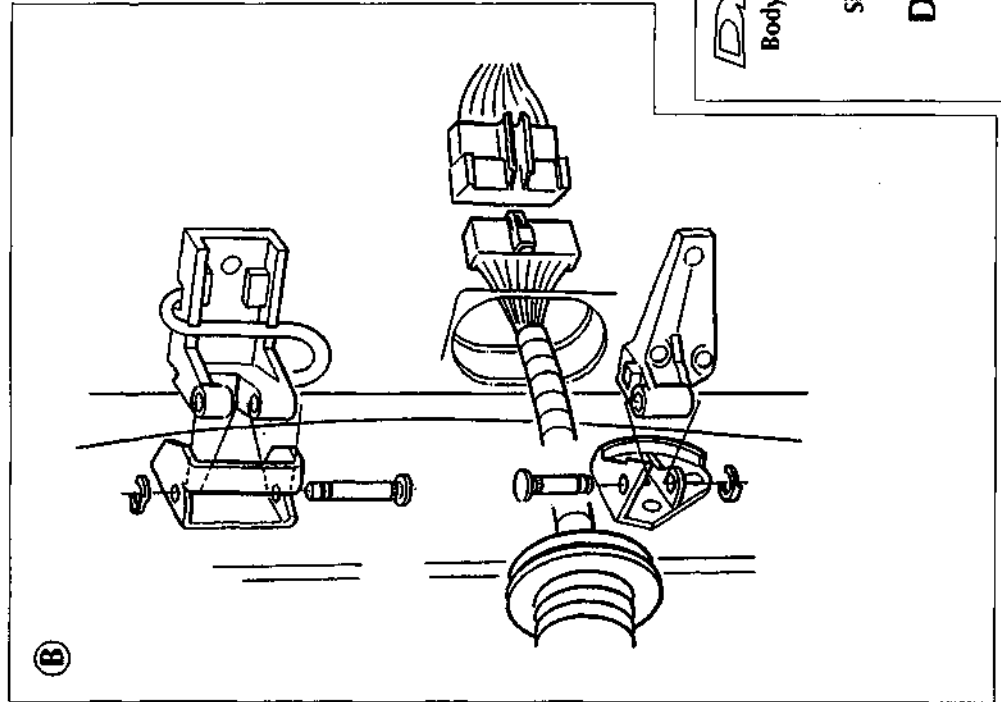
DB7
Body and Trim

Sheet 6

**Rear
Bumper**

Not EA

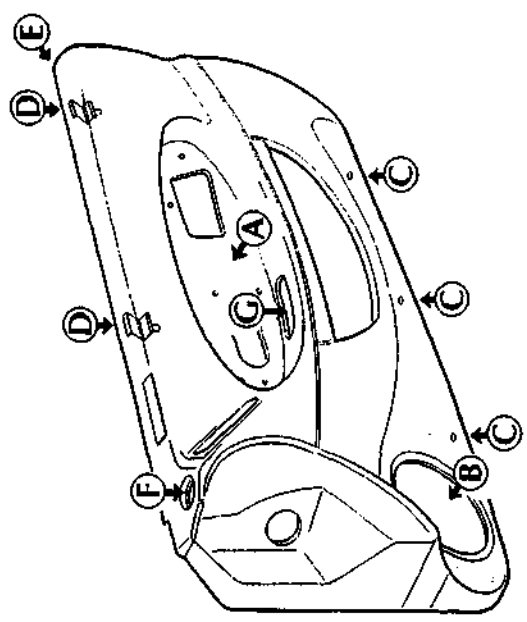
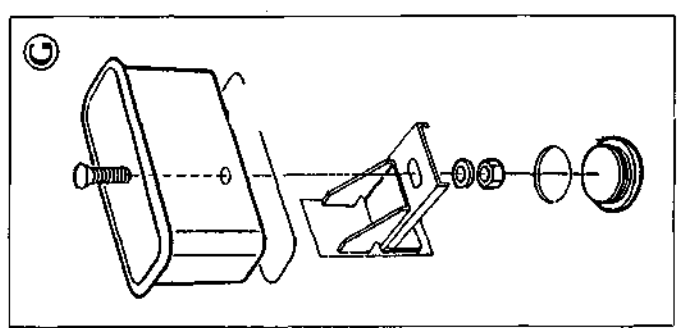
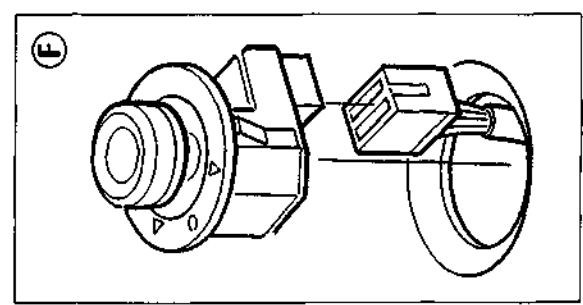
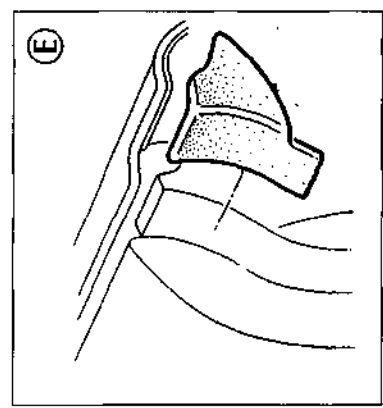
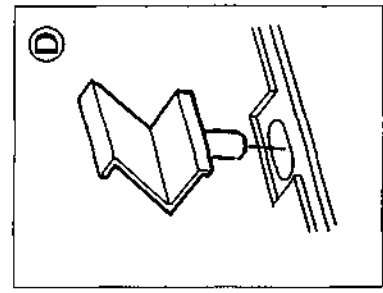
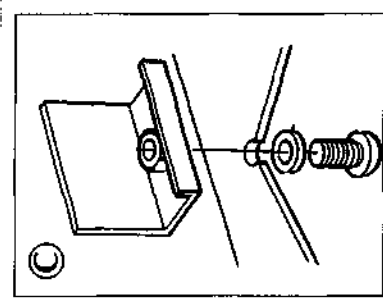
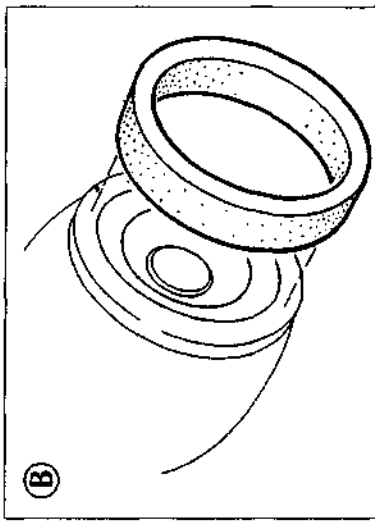
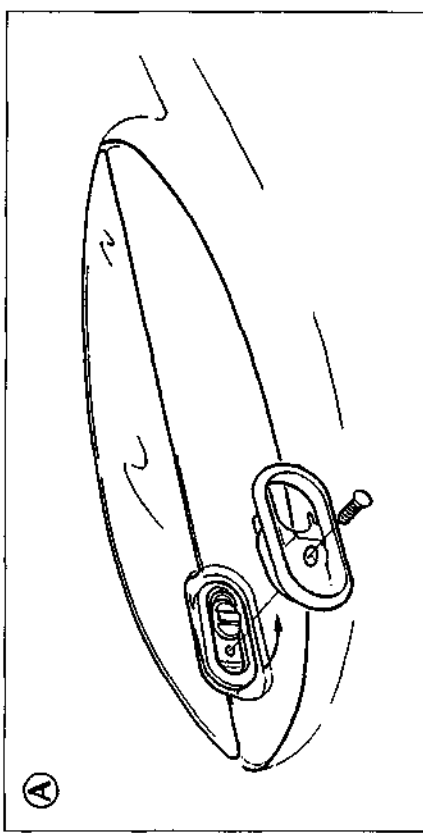


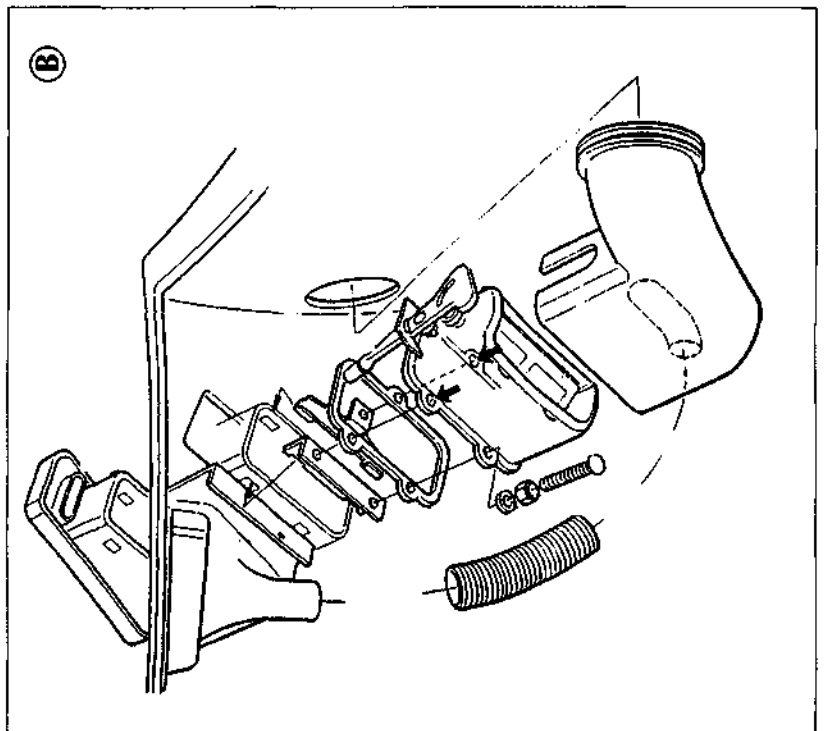
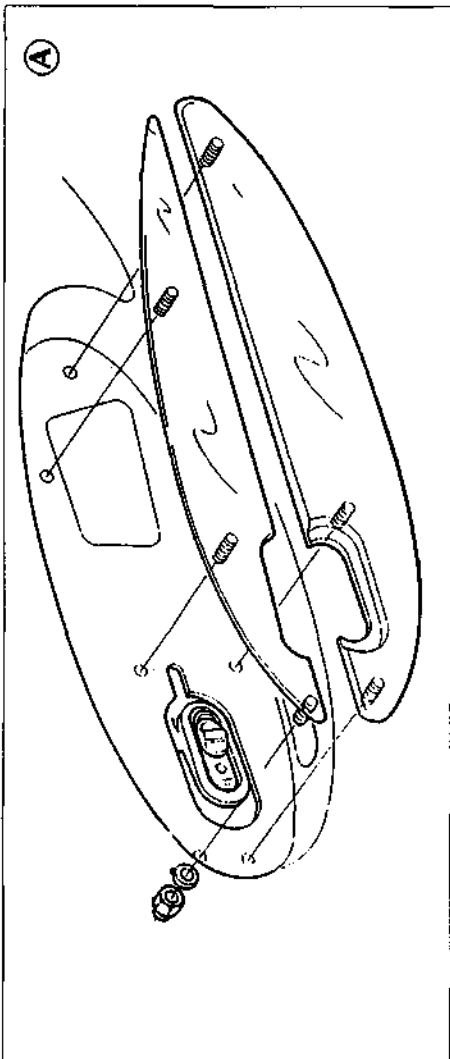
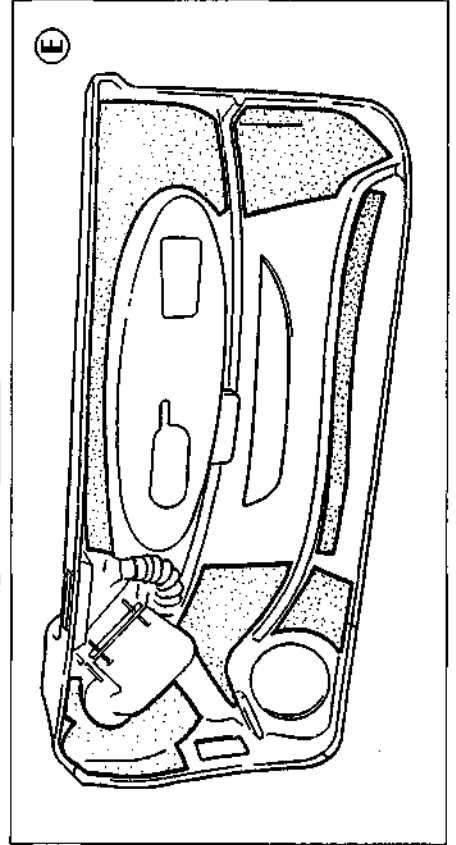
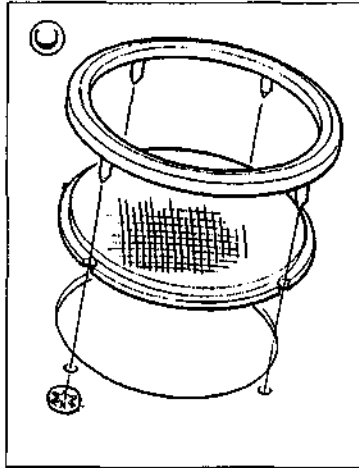
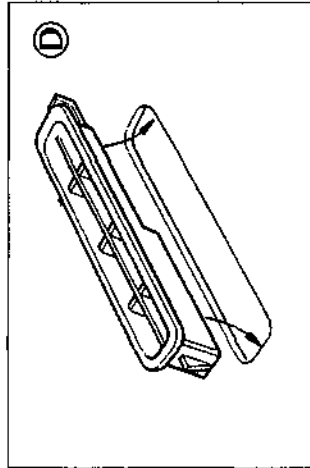
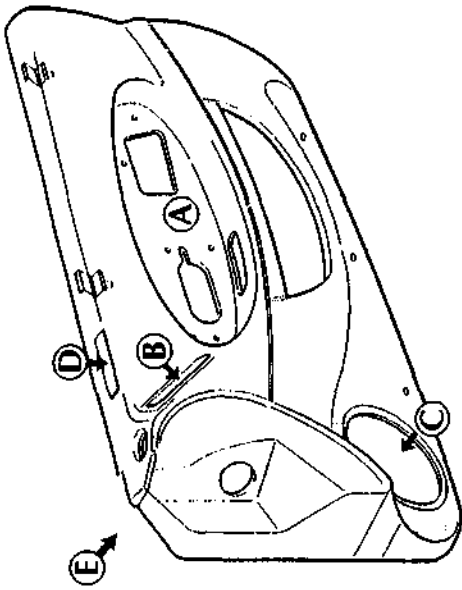


DBZ
Body and Trim

Sheet 8

**Door
Liners**





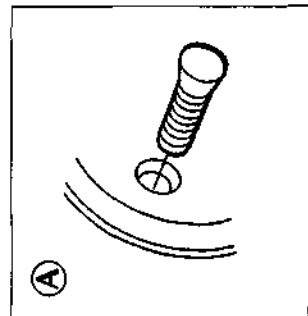
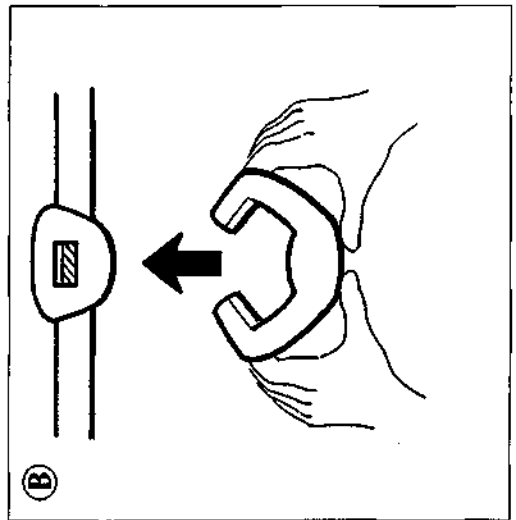
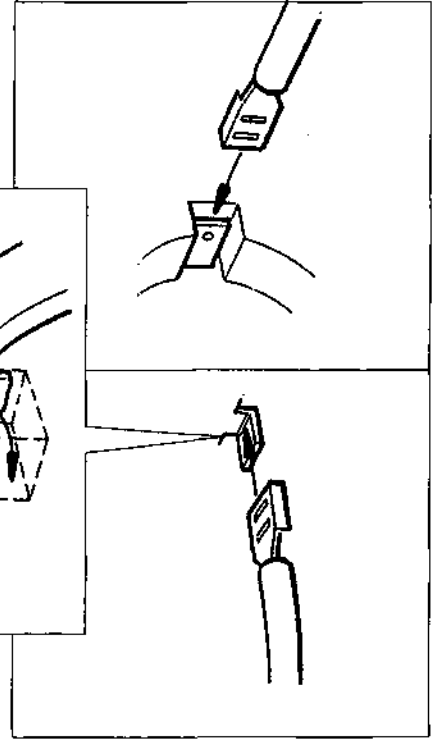
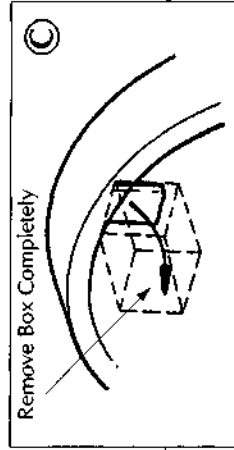
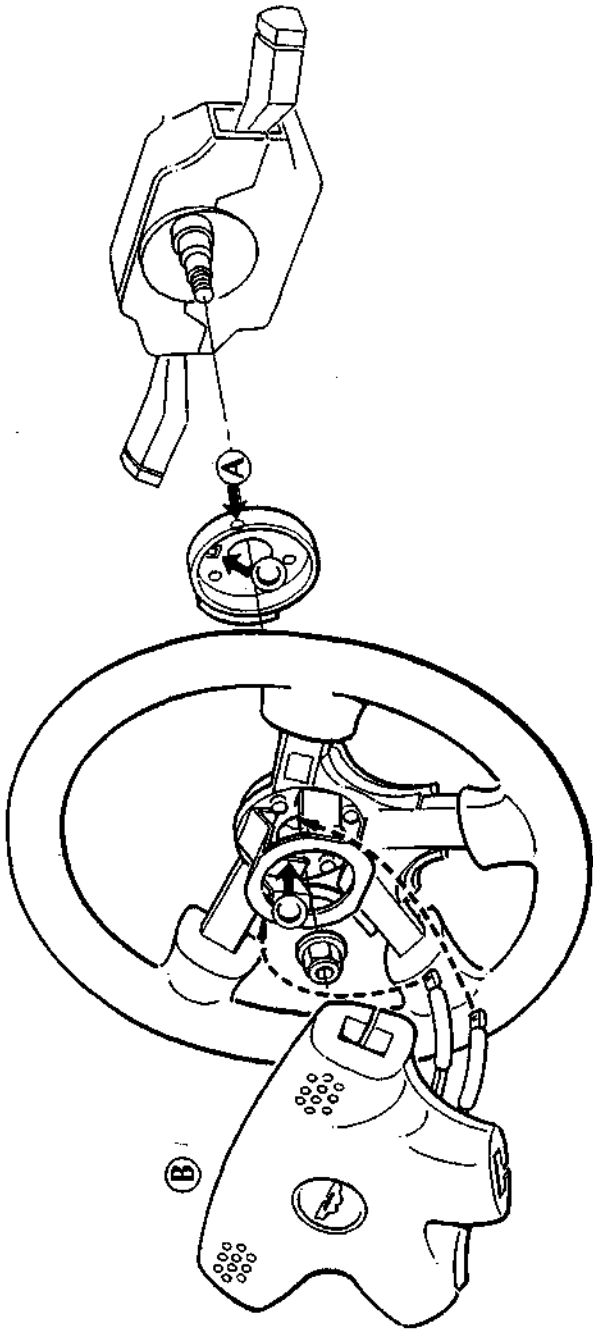
DBZ

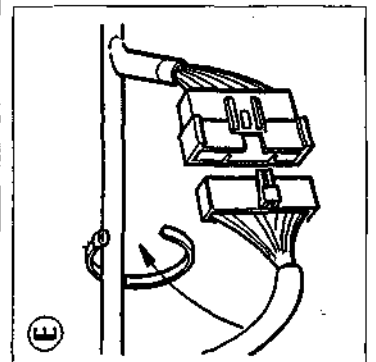
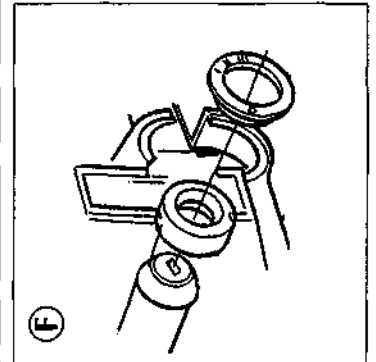
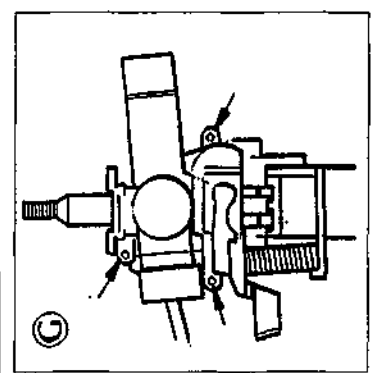
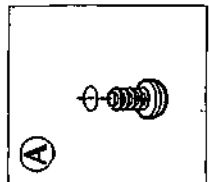
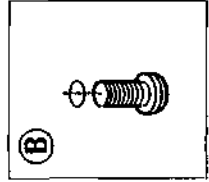
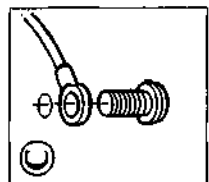
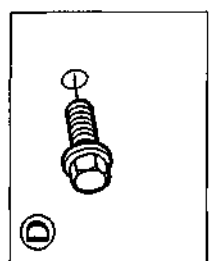
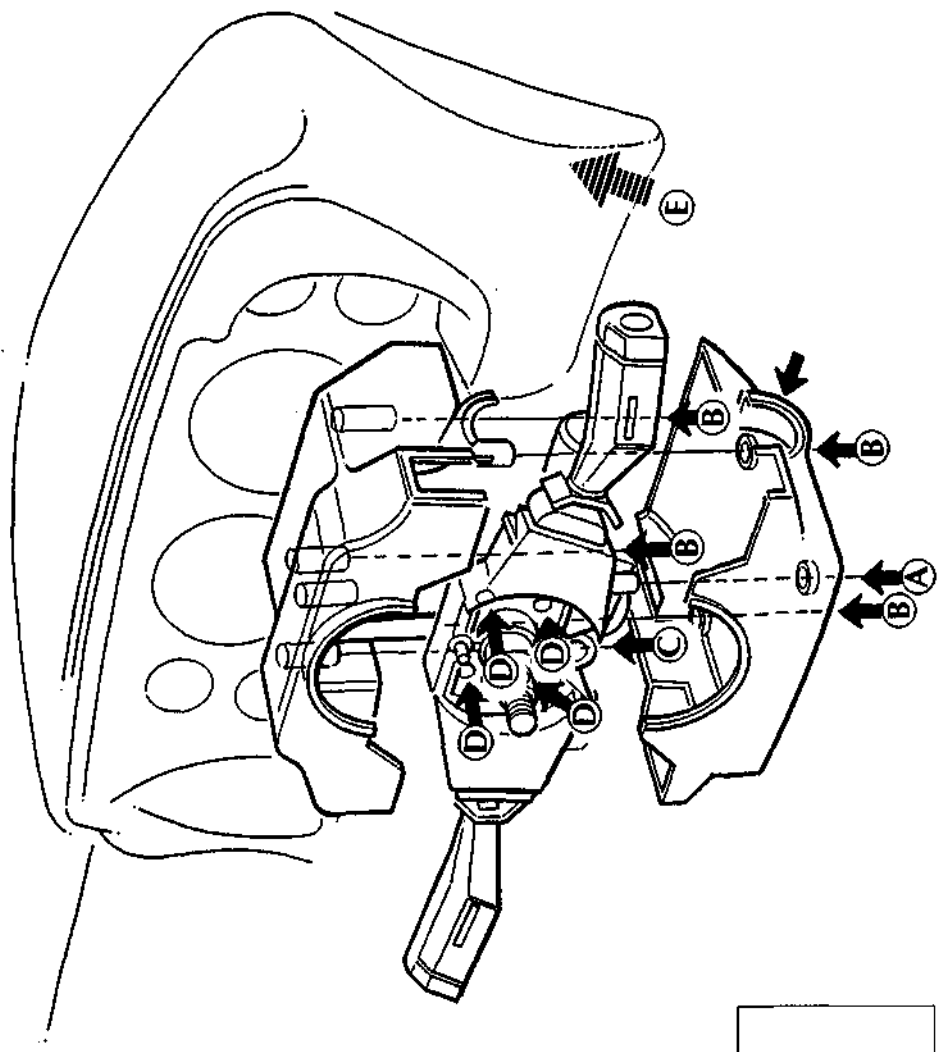
Body and Trim

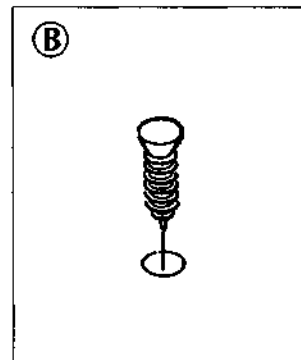
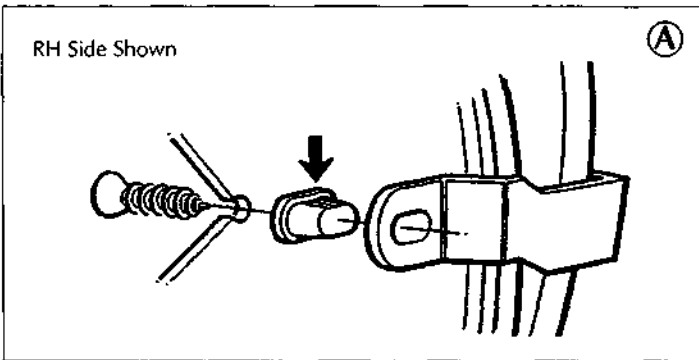
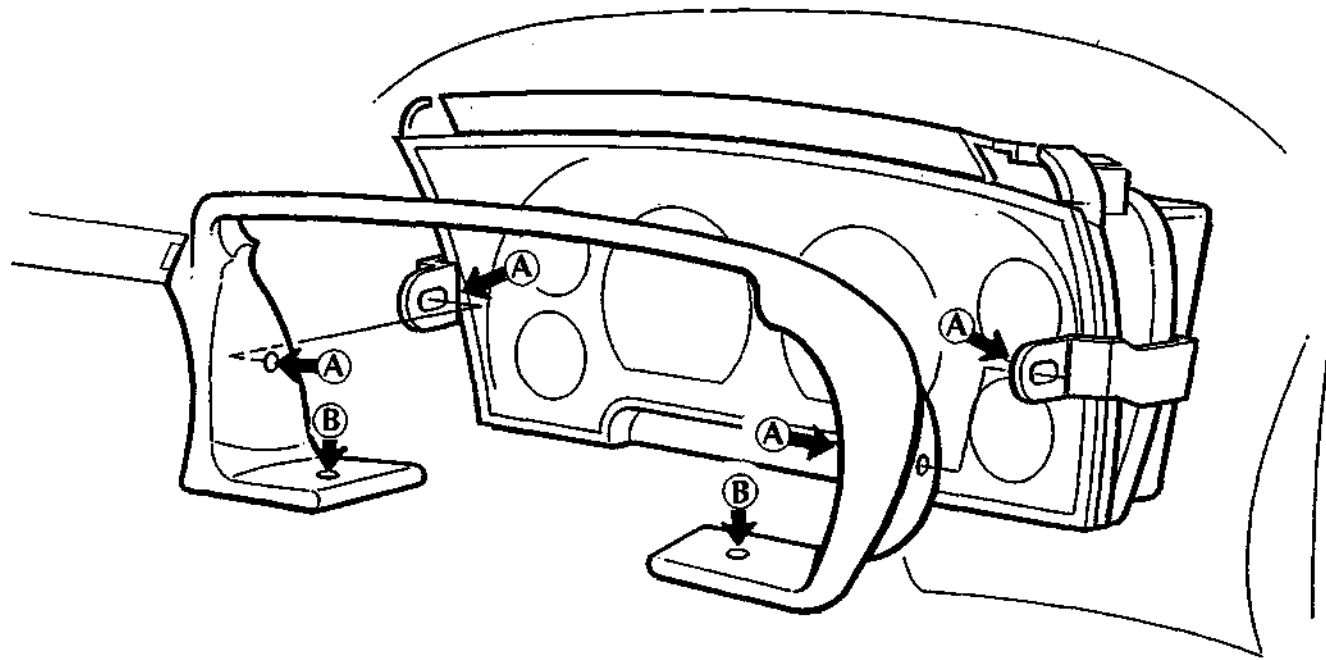
Sheet 10

**Steering
Wheel**

Up to 97 MY







DB7
Body and Trim

Sheet 12

**Instrument
Panel**

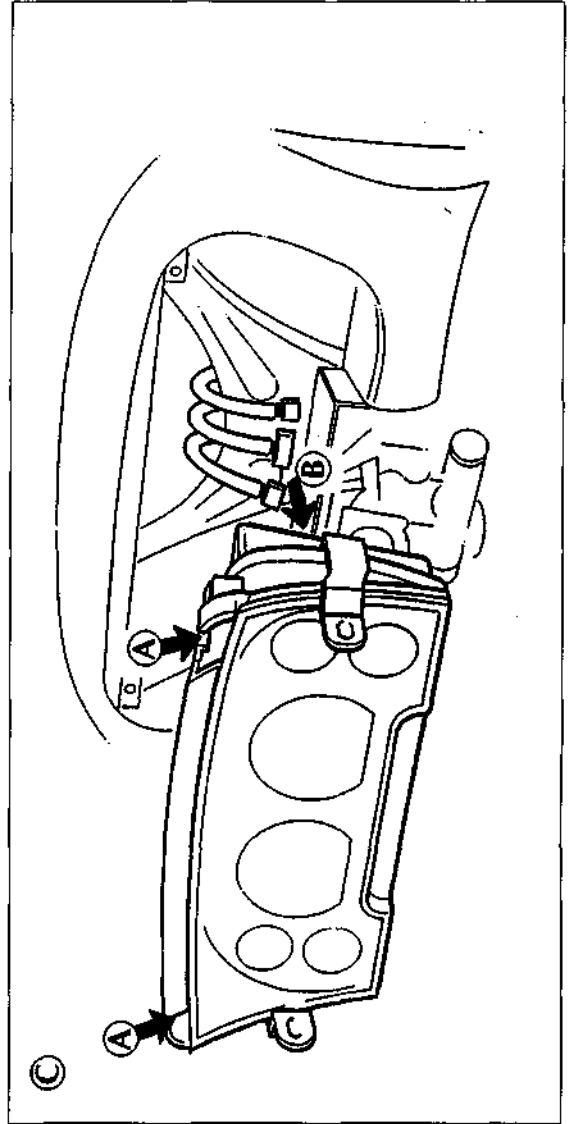
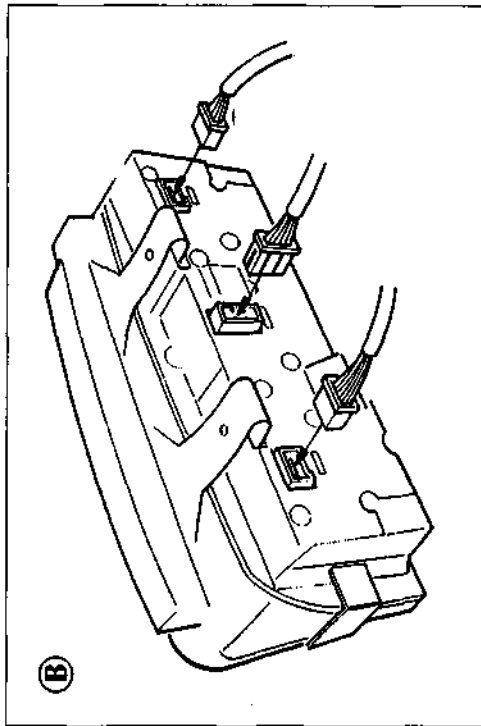
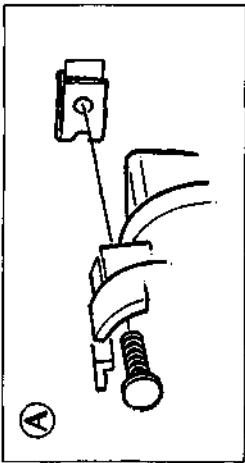
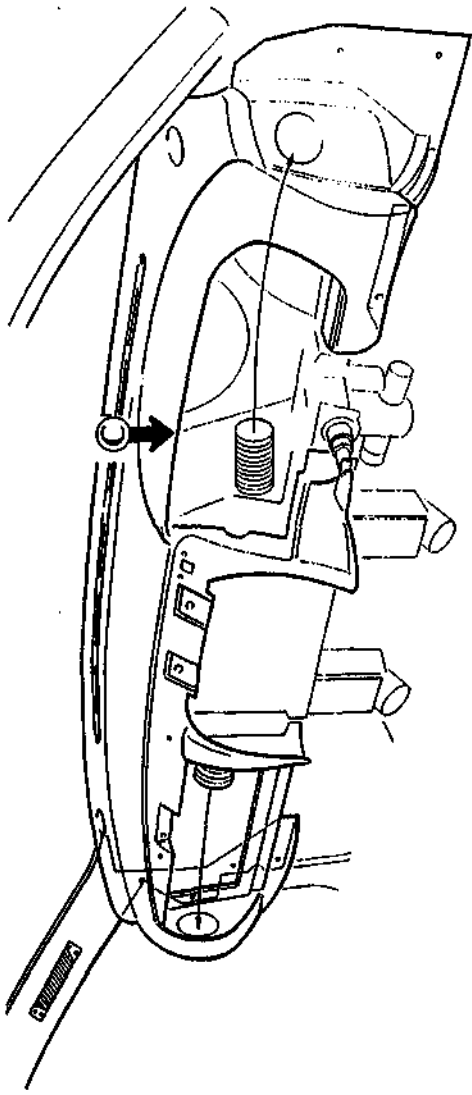
(Surround)

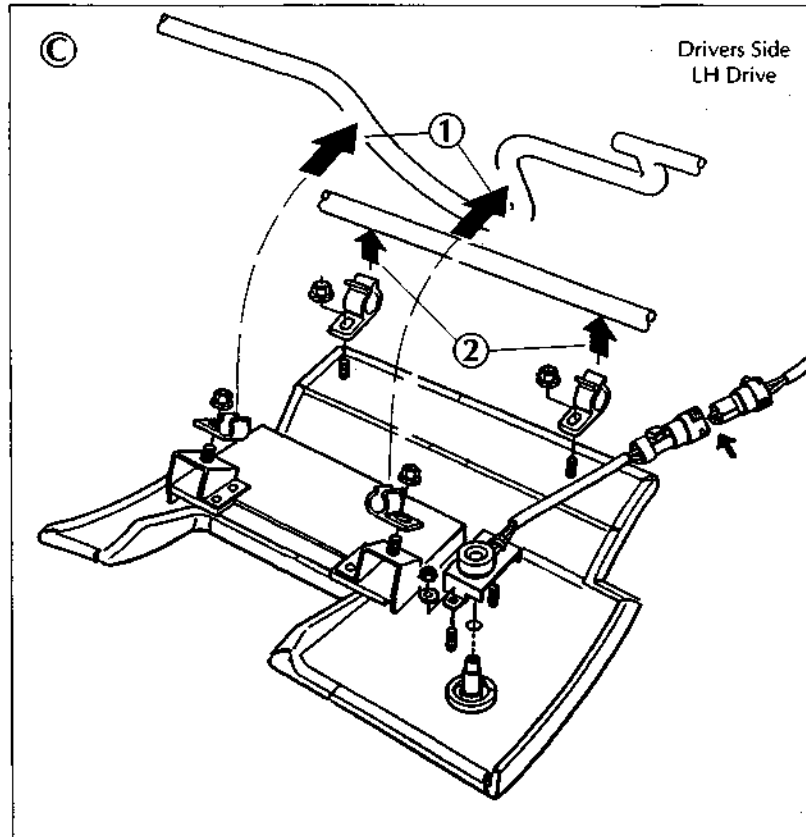
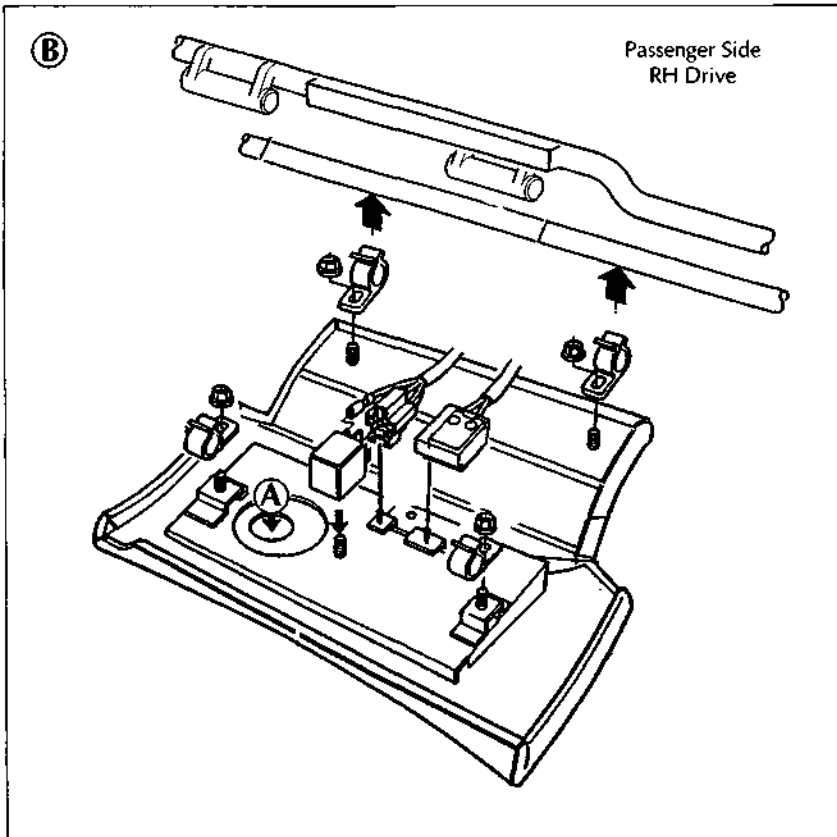
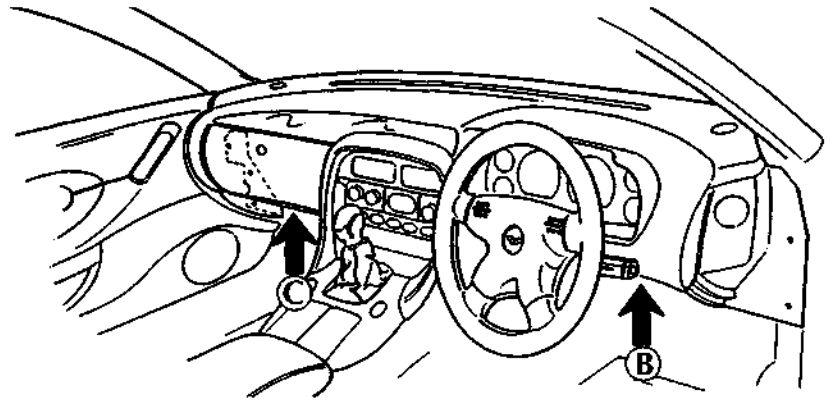
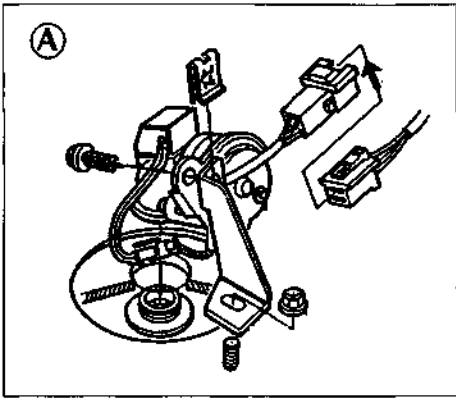
DB7

Body and Trim

Sheet 13

**Instrument
Panel**





DB7
Body and Trim

Sheet 14

**Facia
Underscuttles**

Up to 97 MY

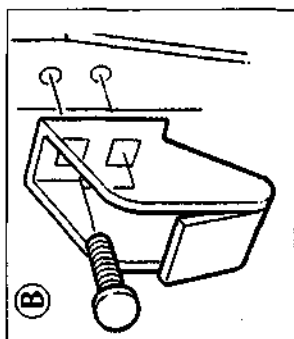
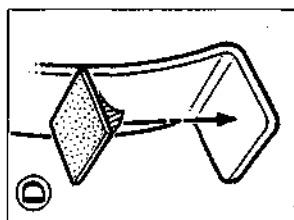
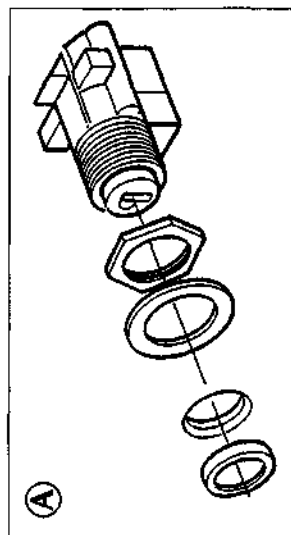
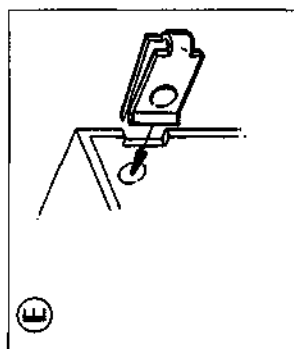
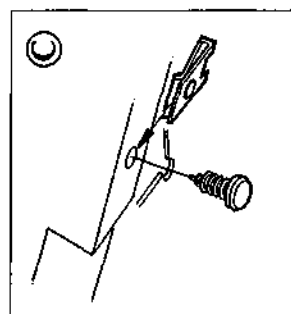
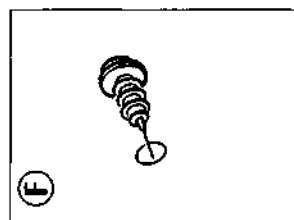
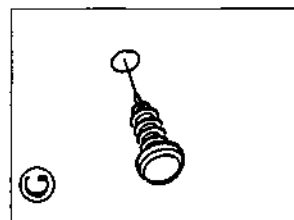
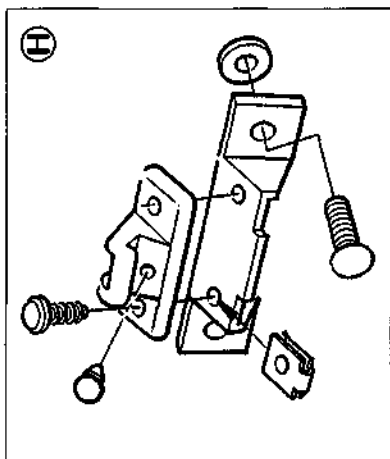
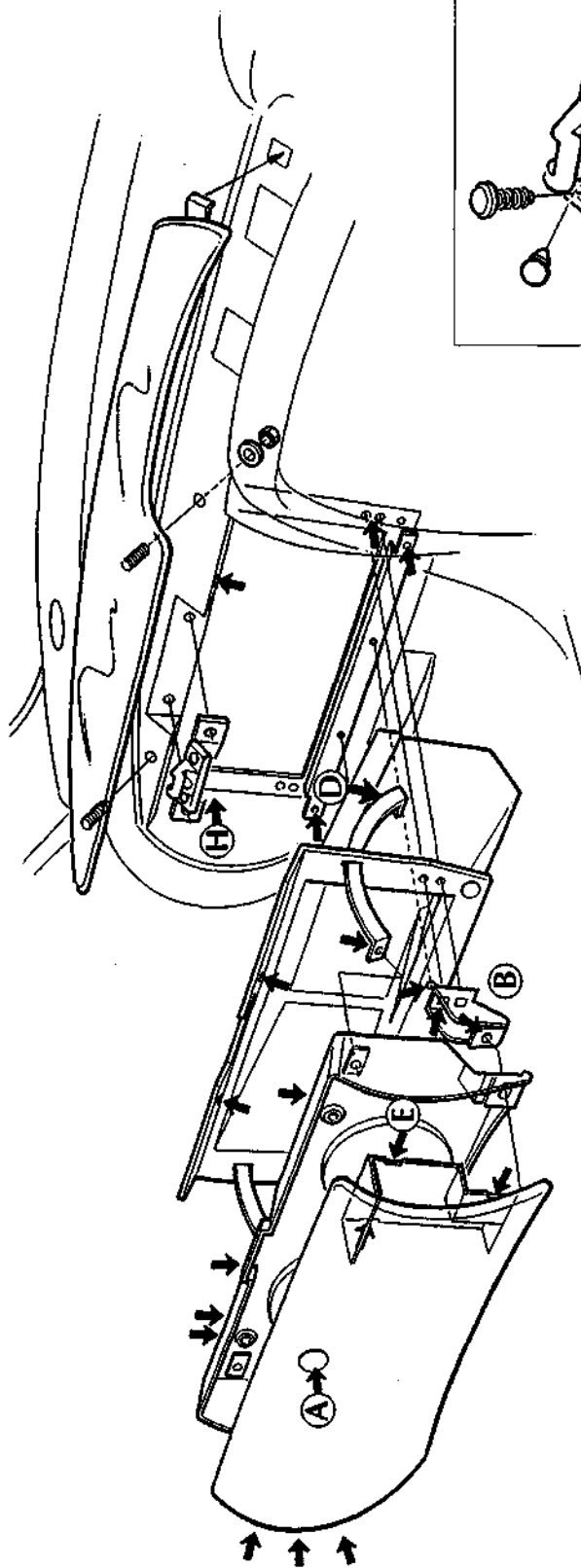
DBZ

Body and Trim

Sheet 15

Glove Box

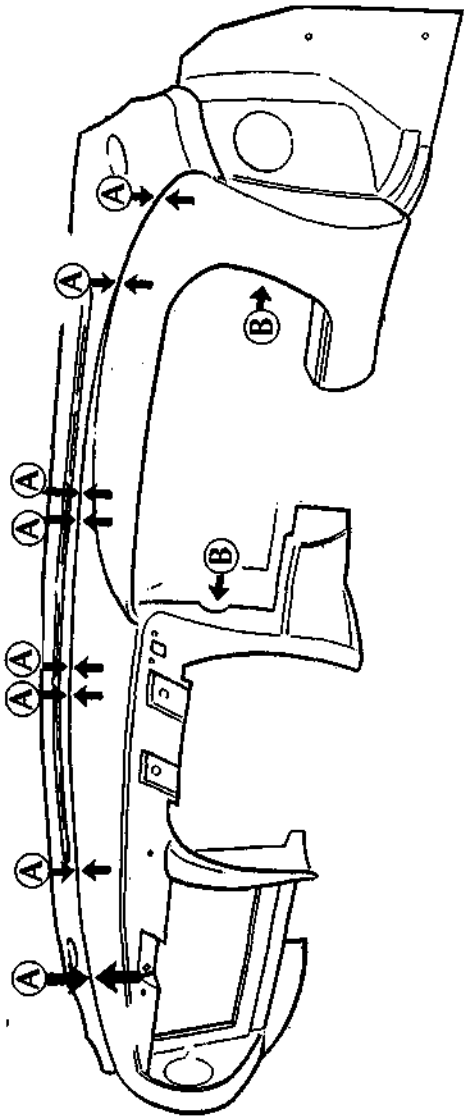
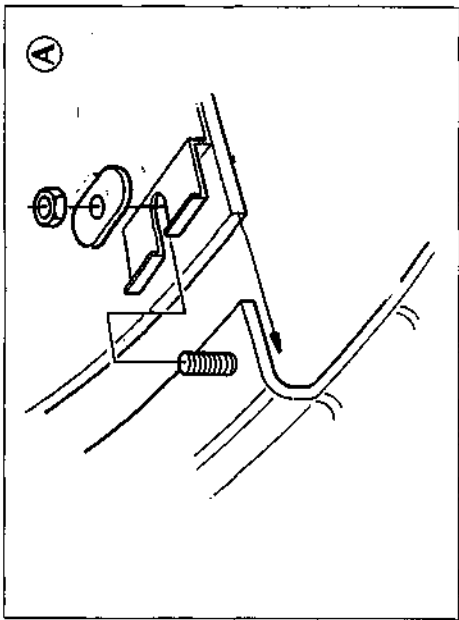
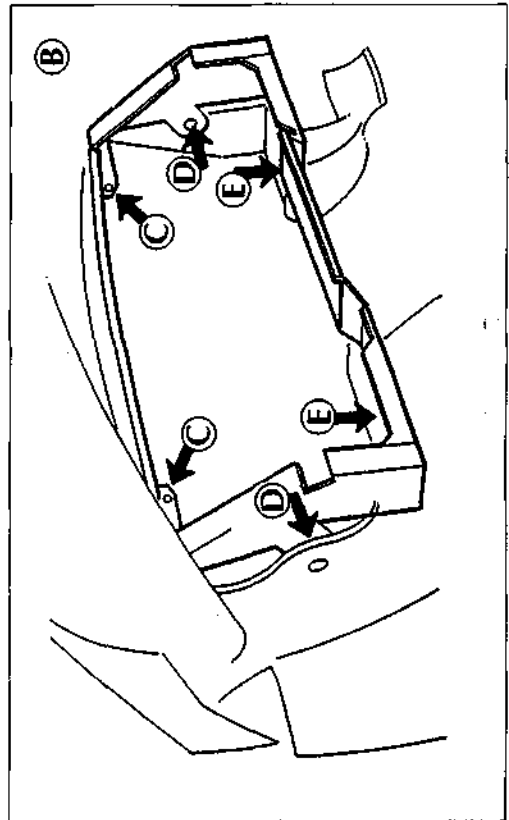
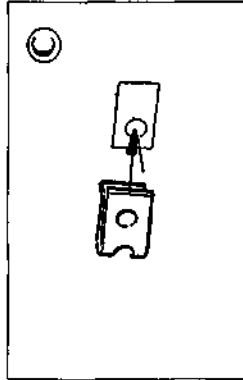
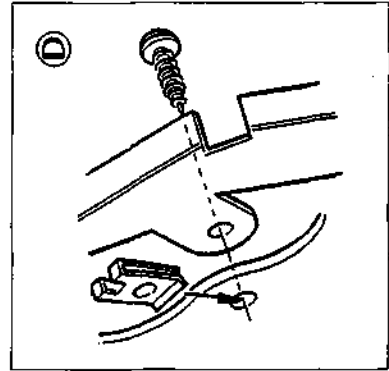
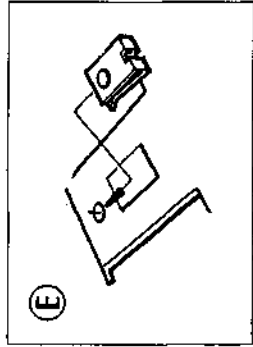
Up to 97 MY

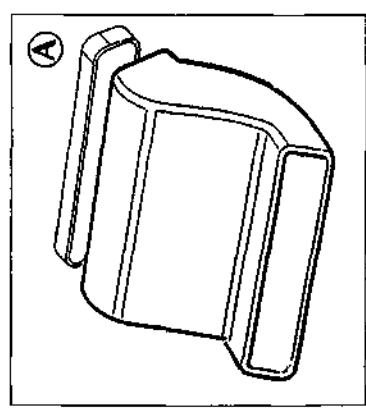
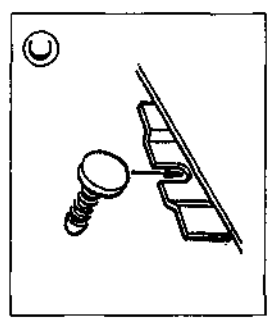
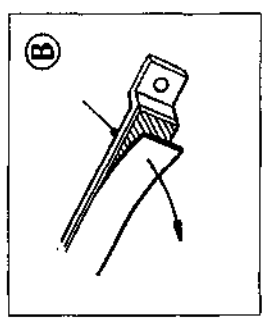
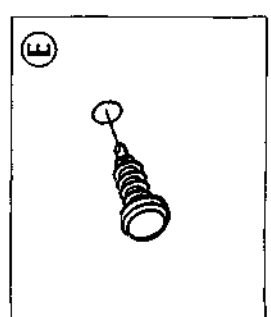
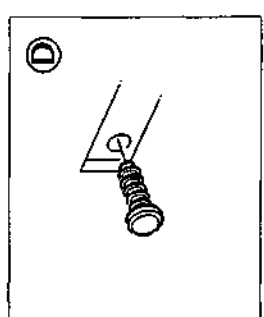
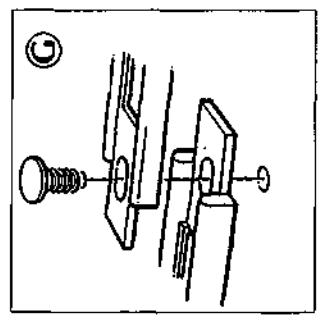
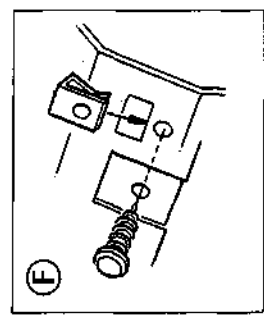
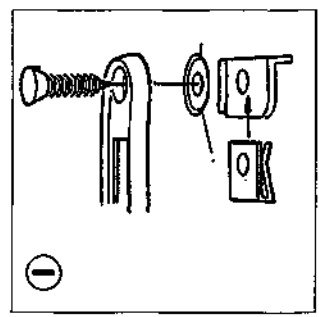
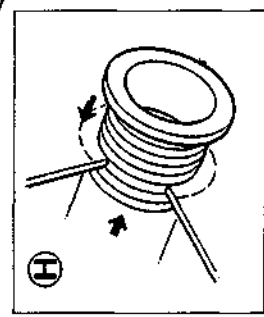
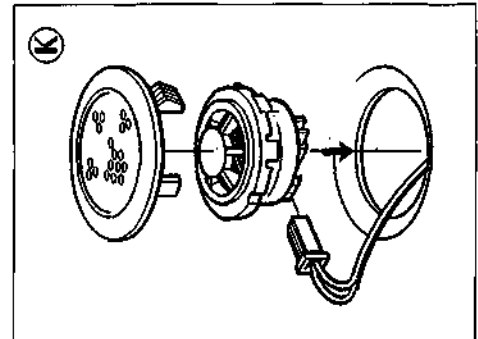
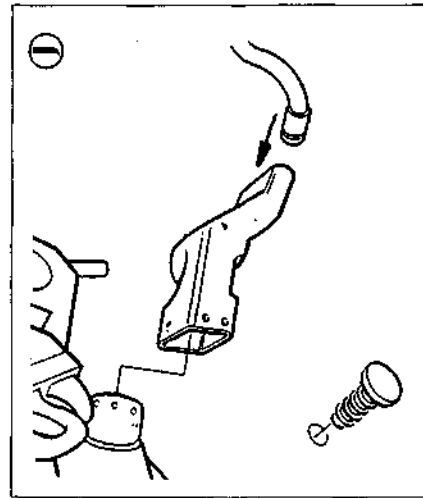
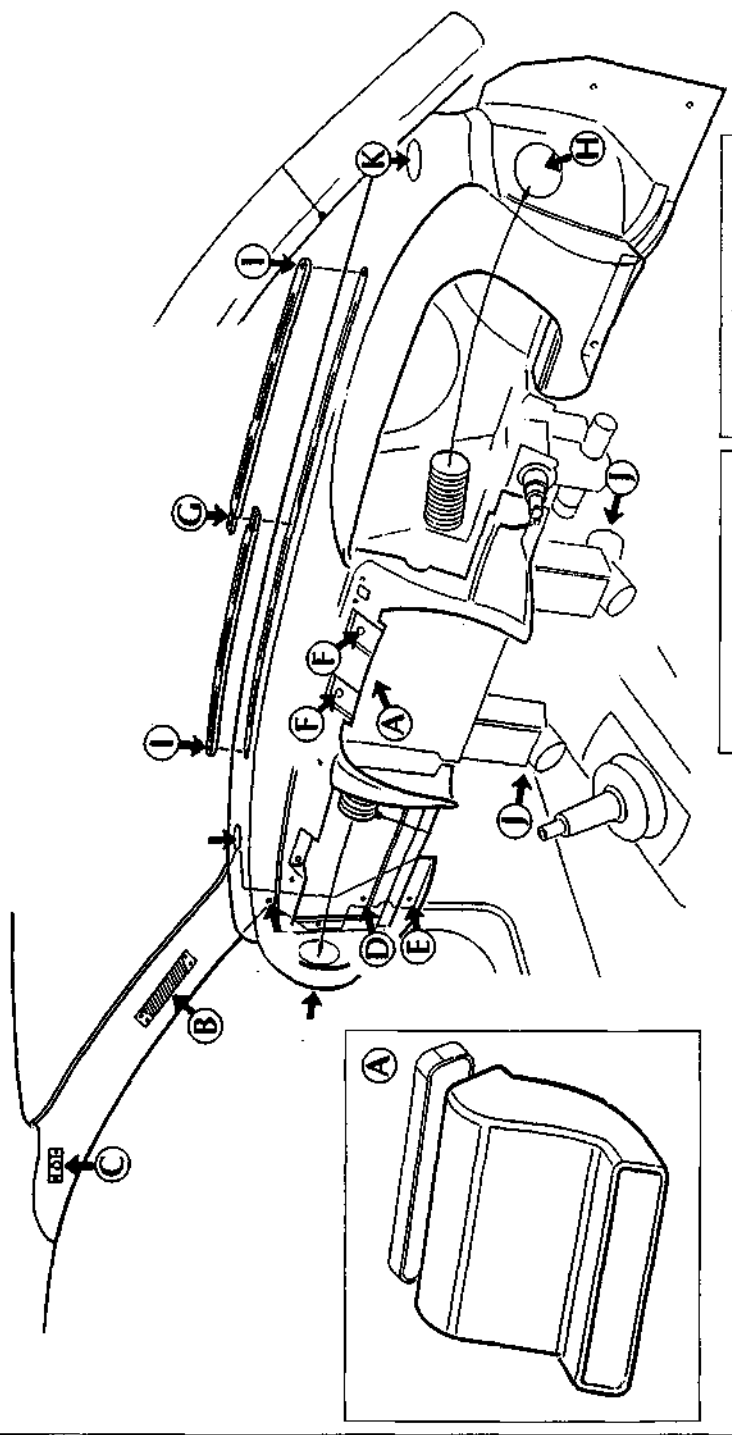


DBZ
Body and Trim

Sheet 16

**Facia
Mountings
(1)**



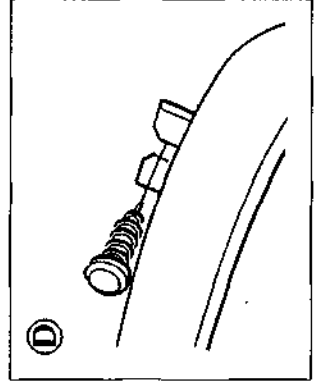
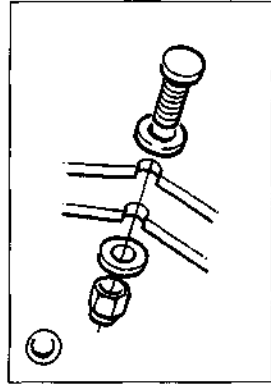
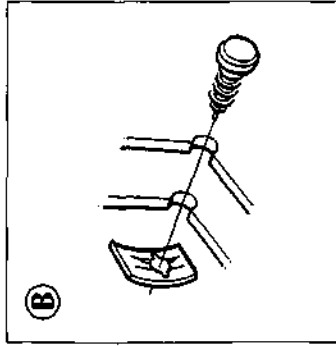
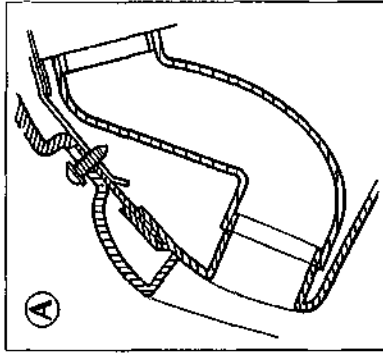
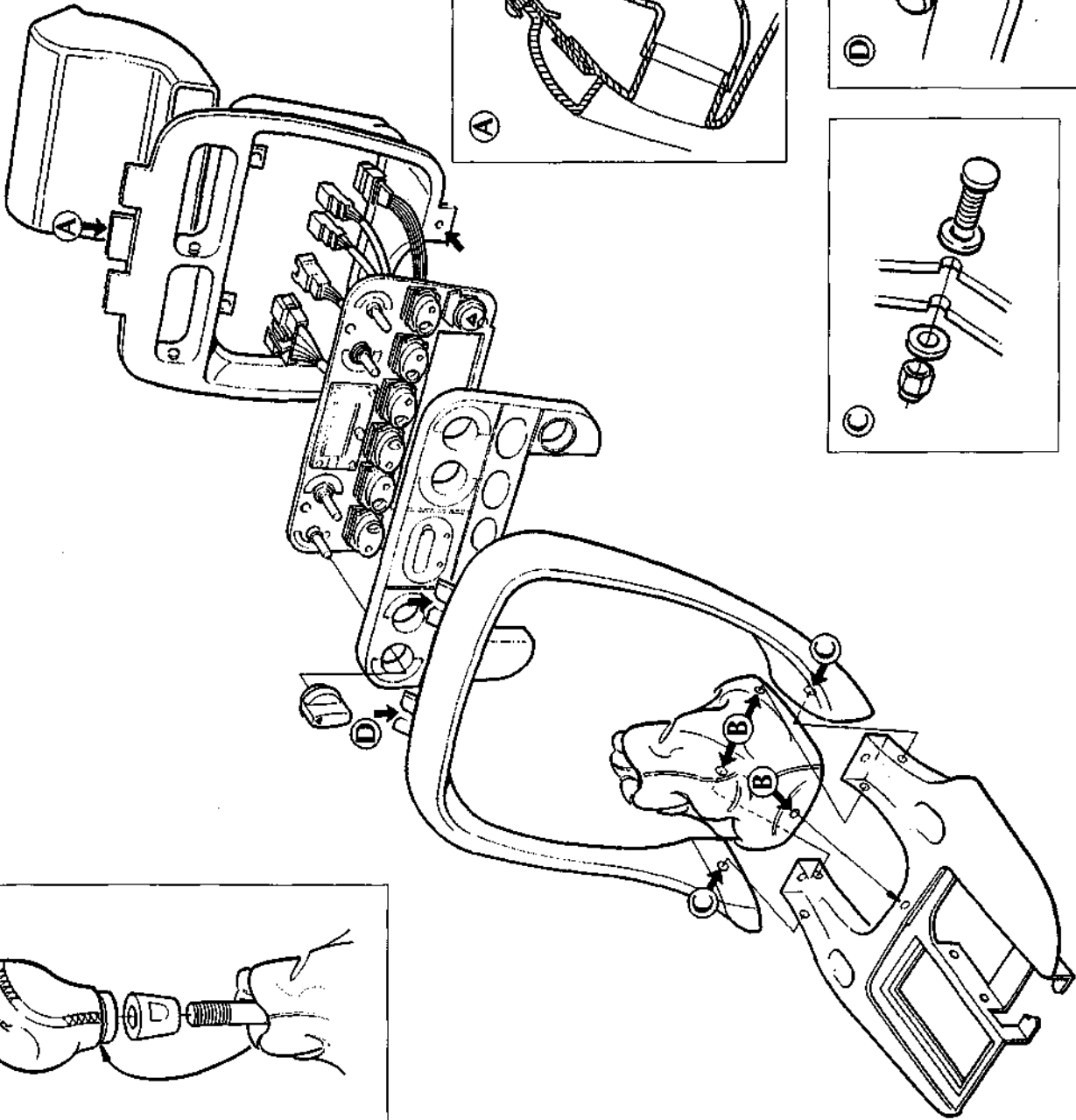
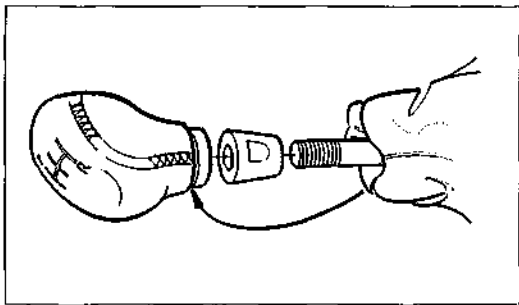


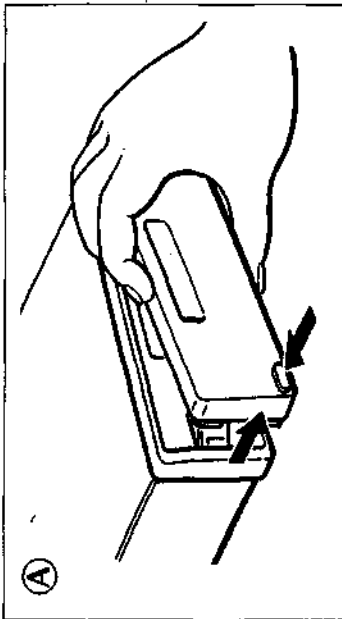
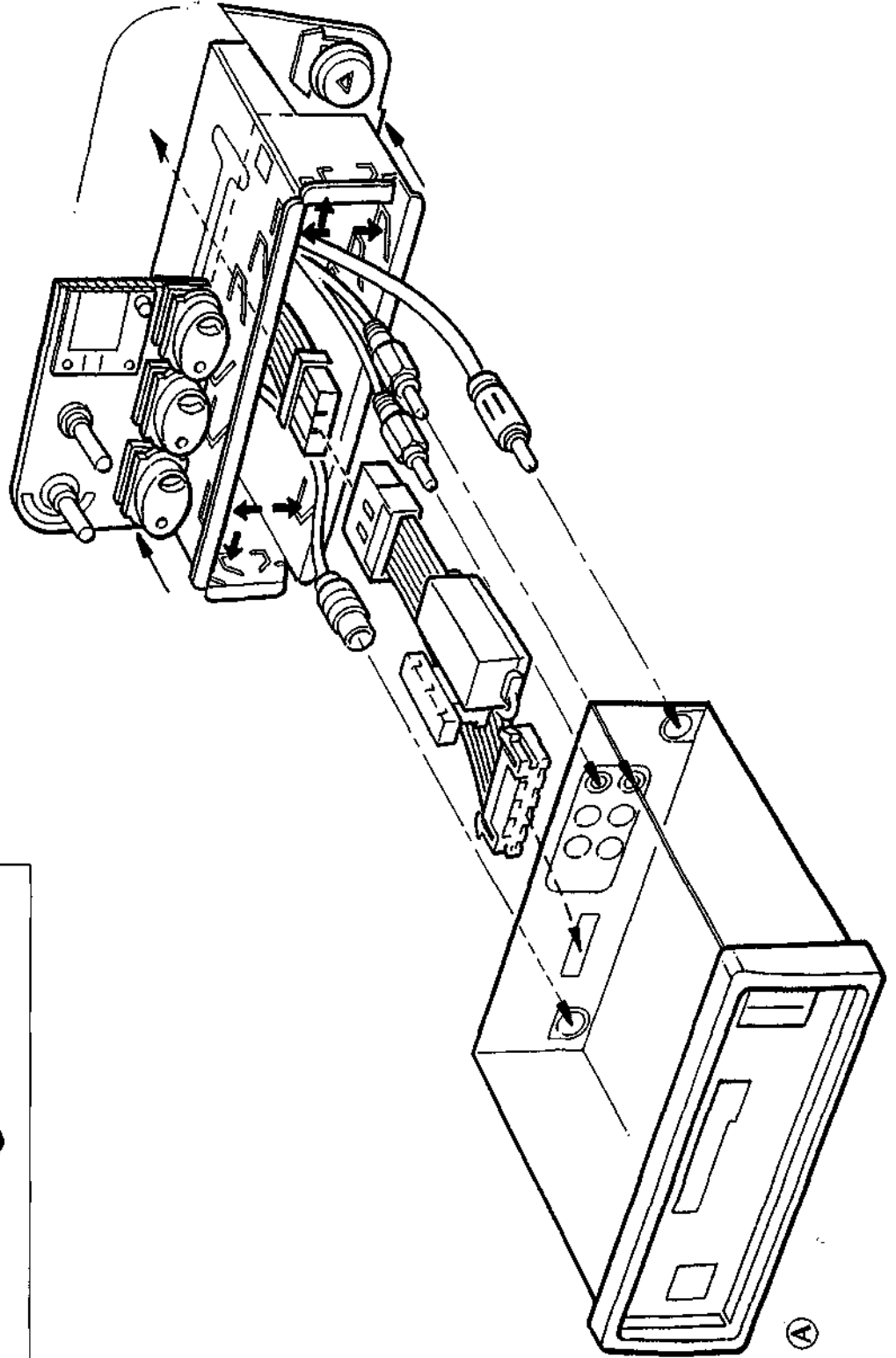
DB7

Body and Trim

Sheet 18

**Console
Instruments**



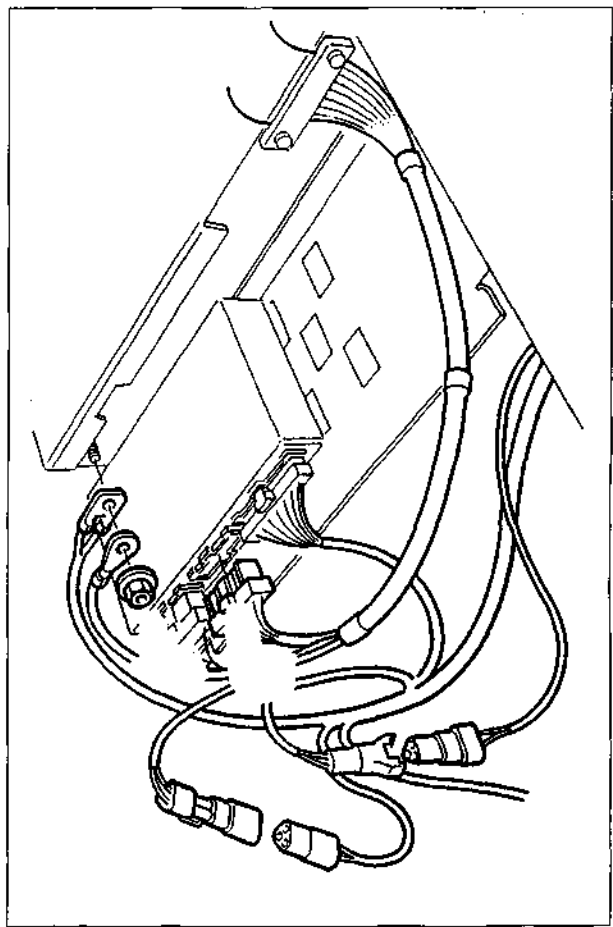
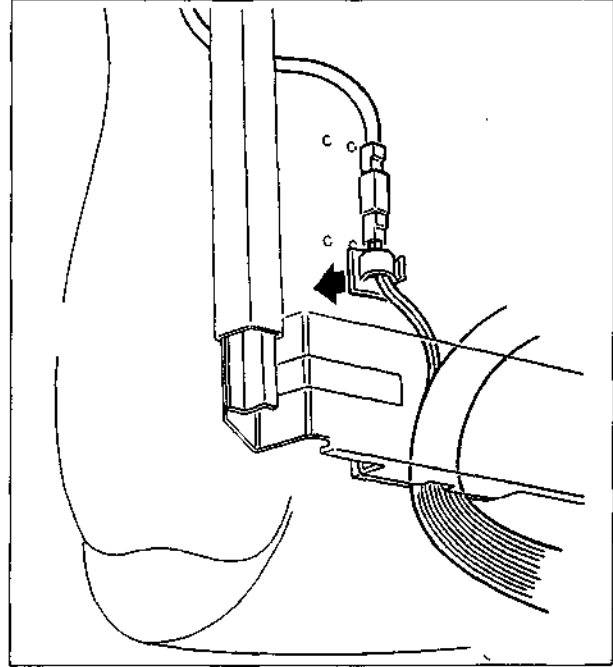
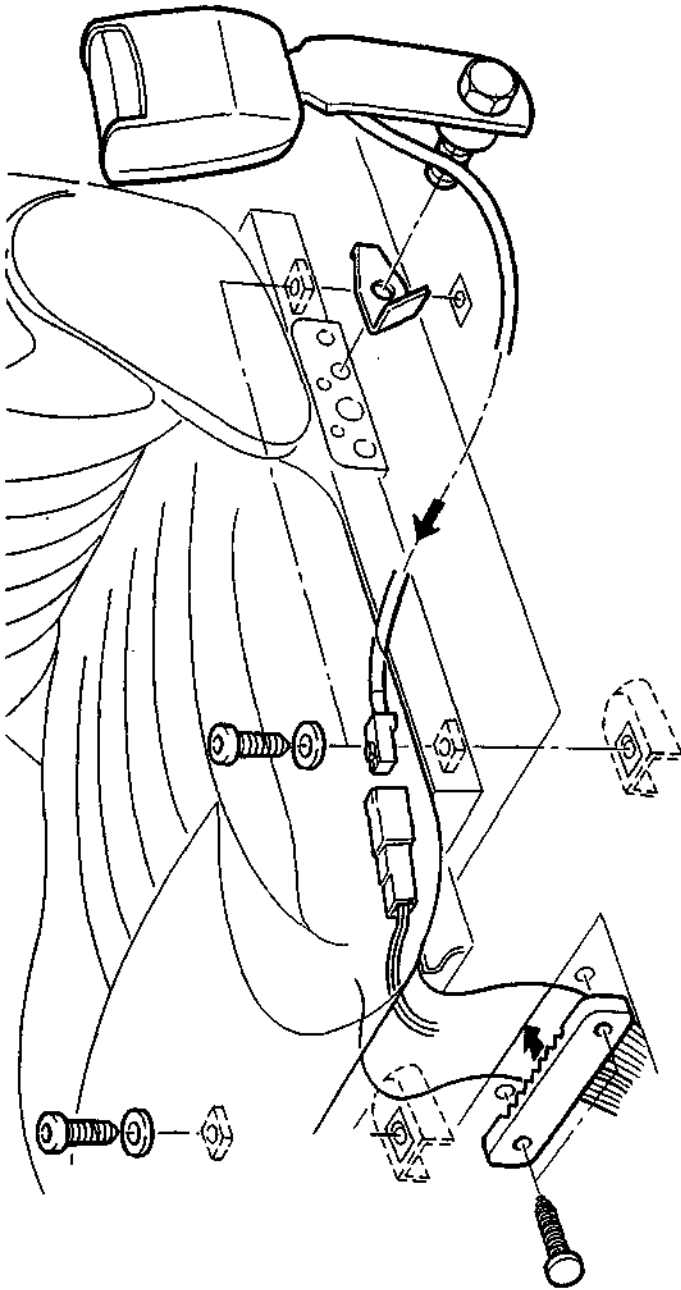


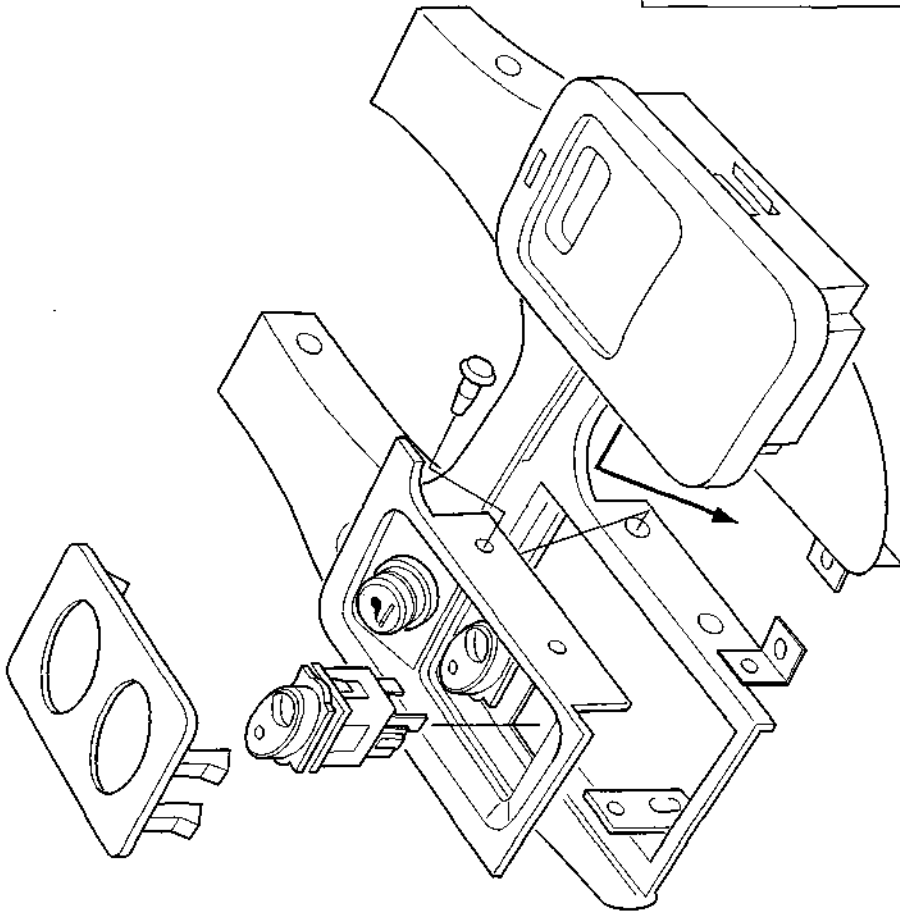
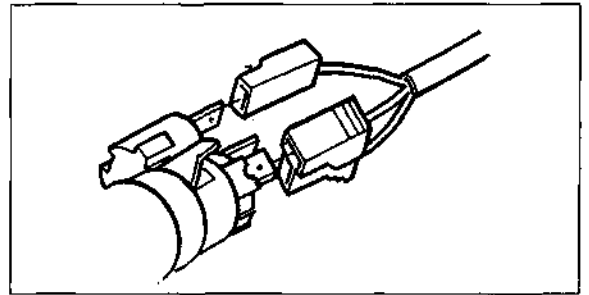
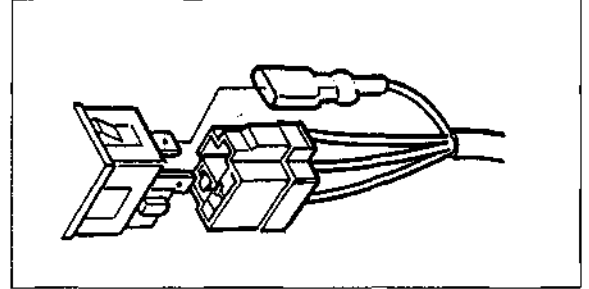
DBZ

Body and Trim

Sheet 20

**Front
Seats**



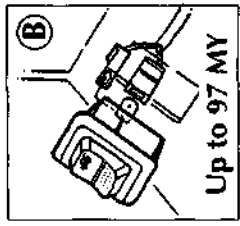
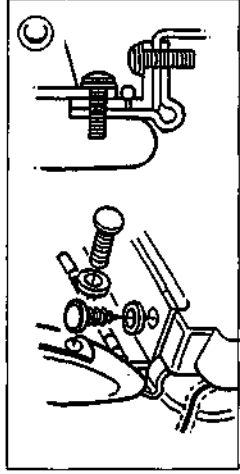
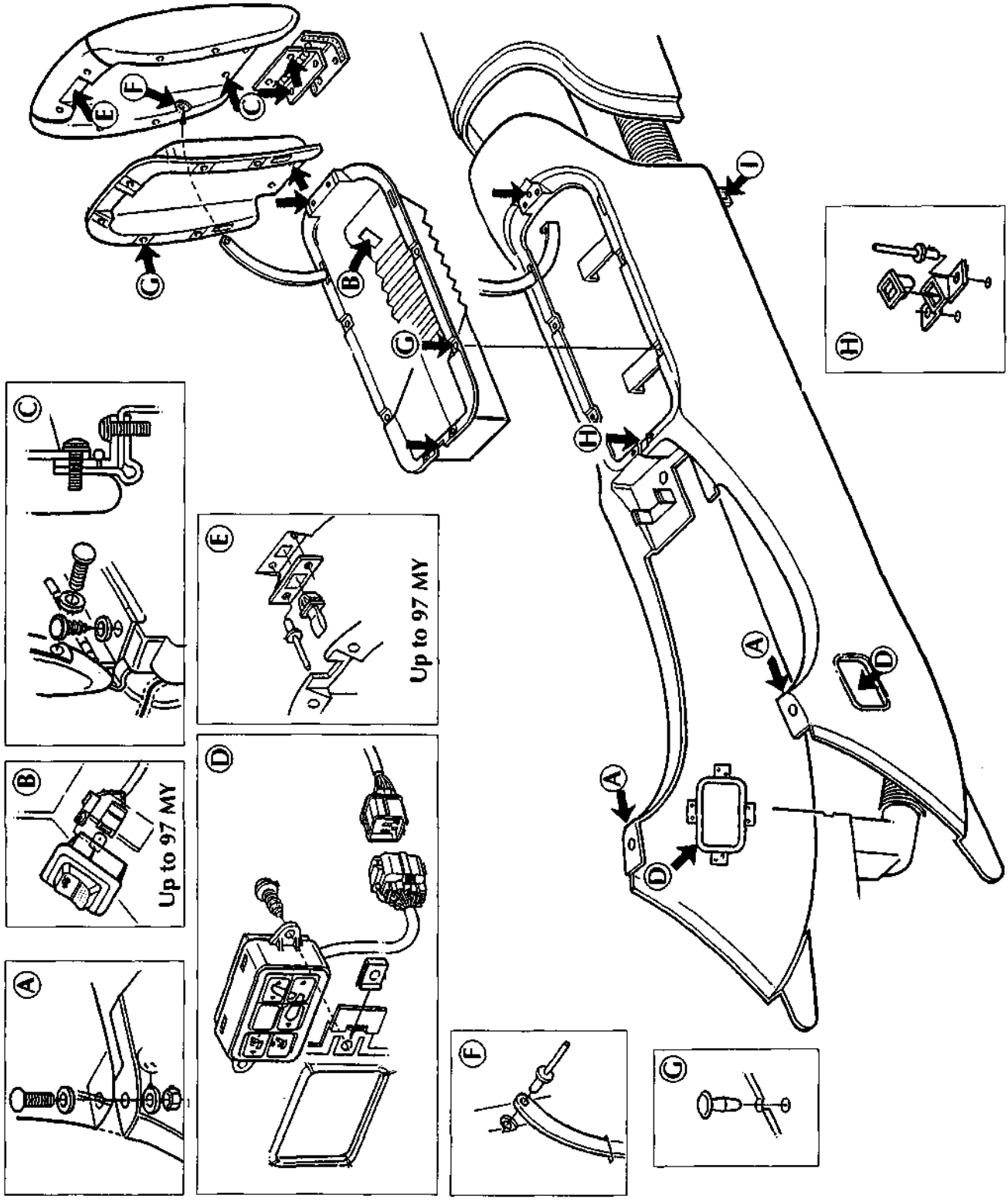


DB7

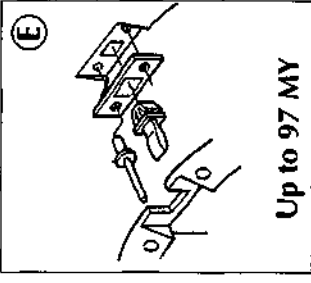
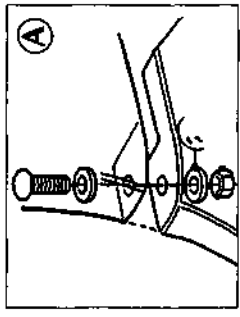
Body and Trim

Sheet 22

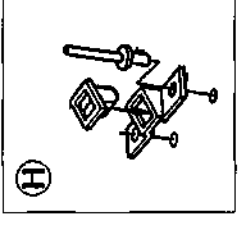
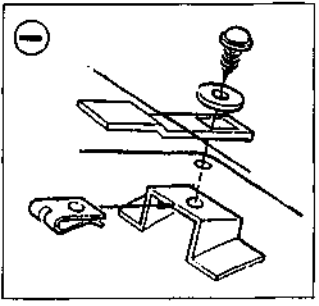
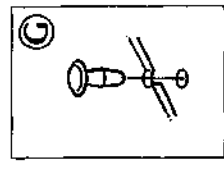
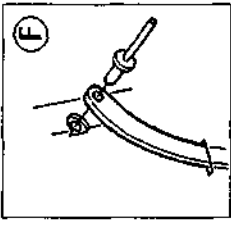
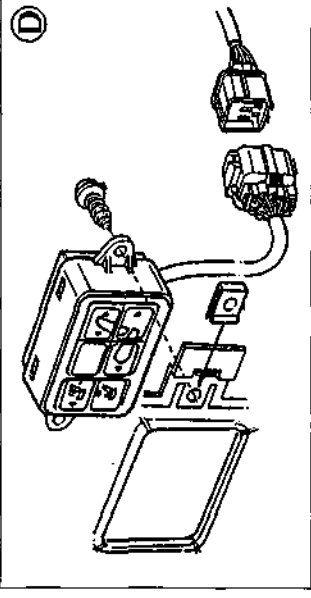
Centre Console

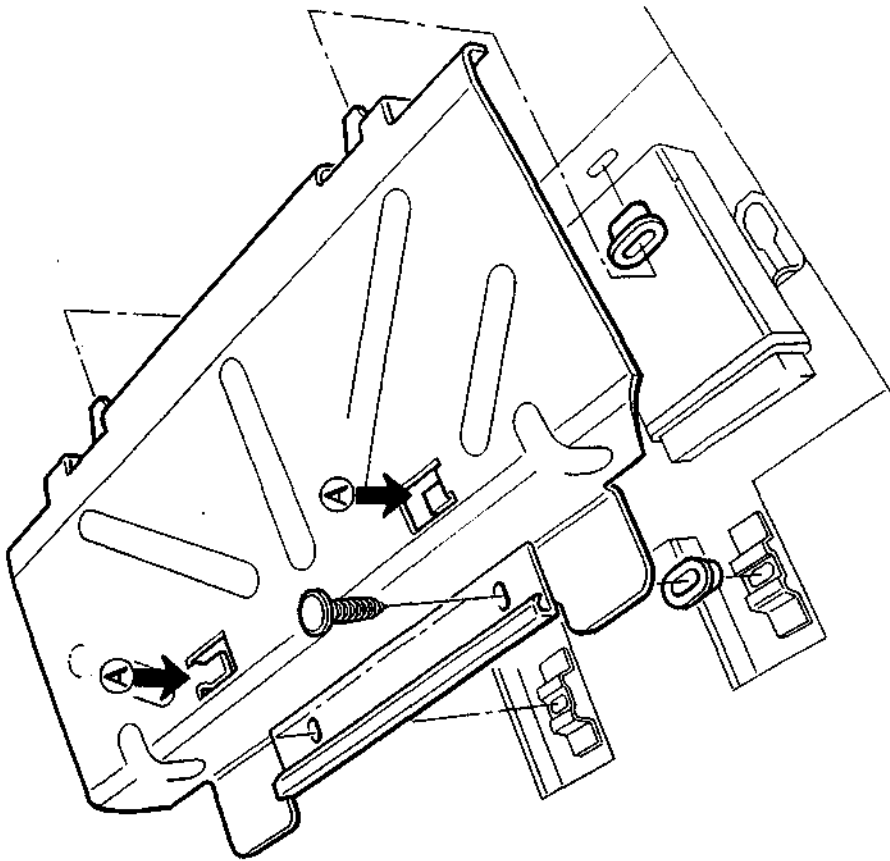
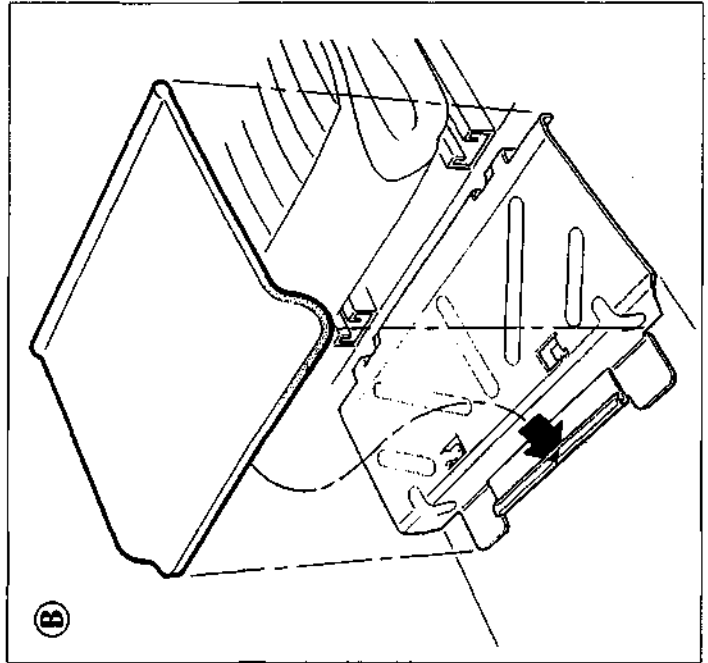
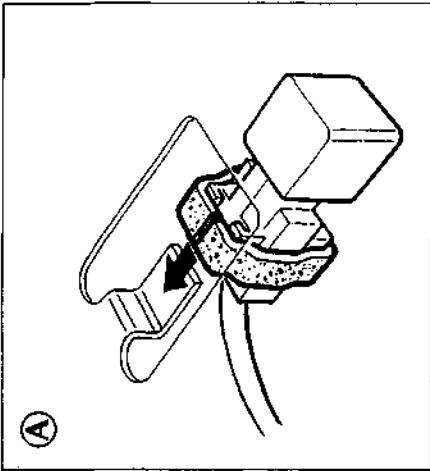


Up to 97 MY



Up to 97 MY





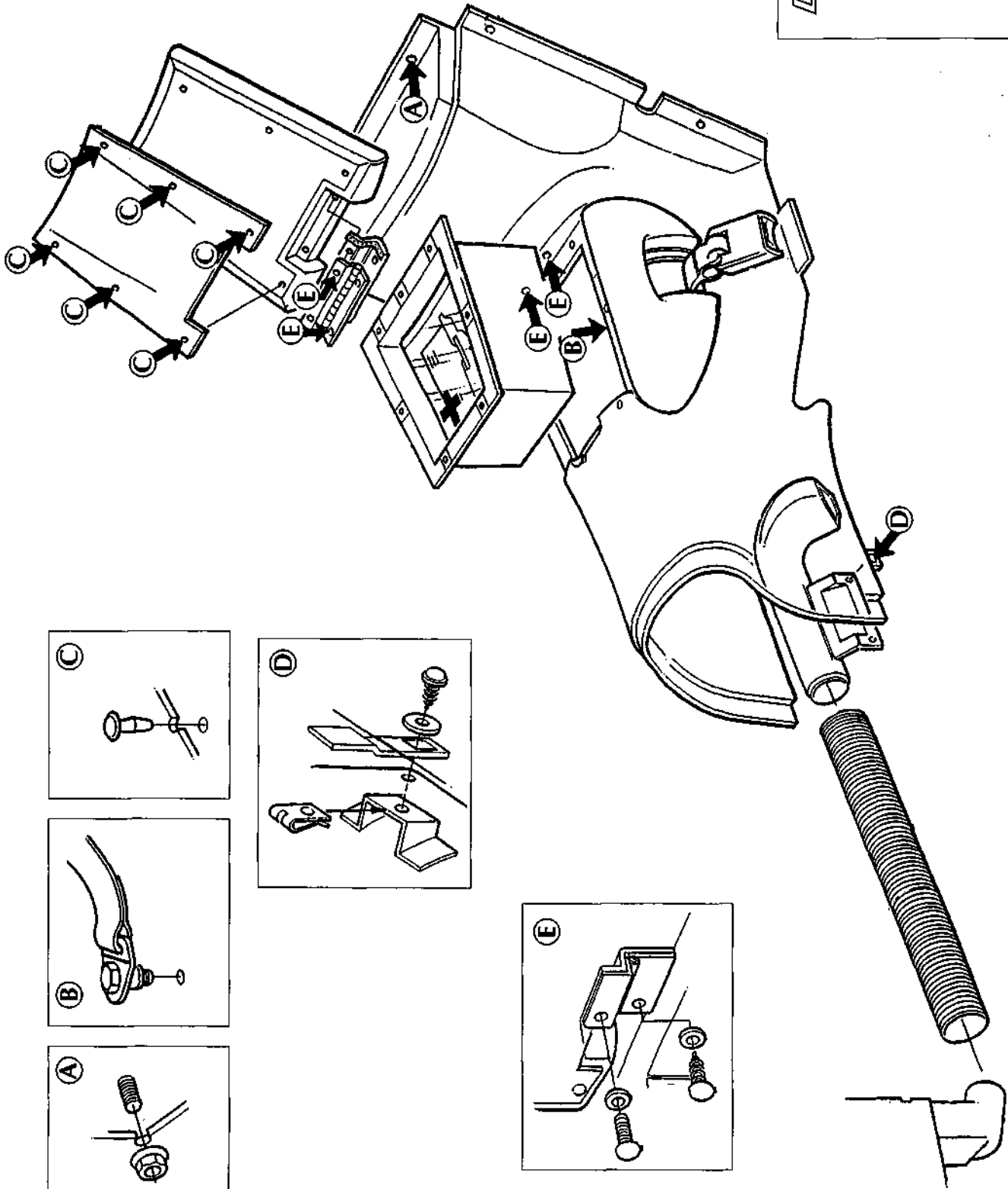
DB7

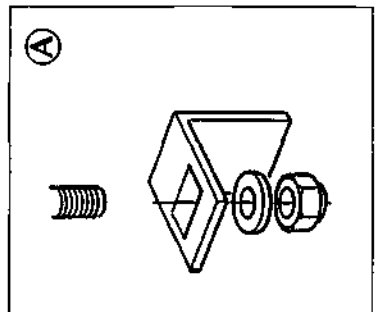
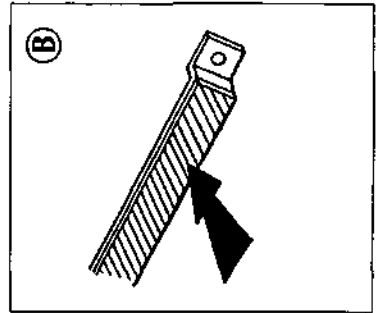
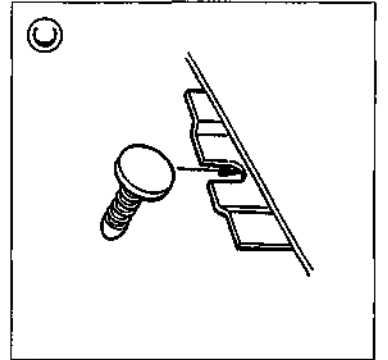
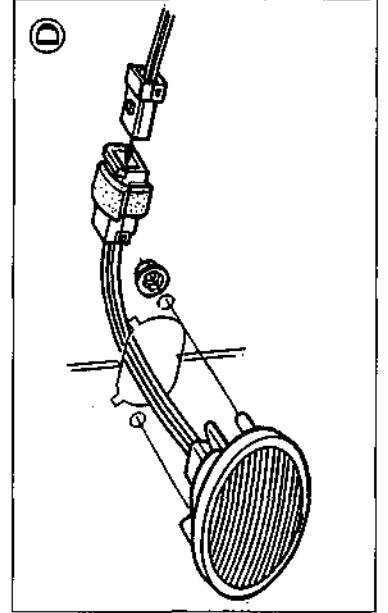
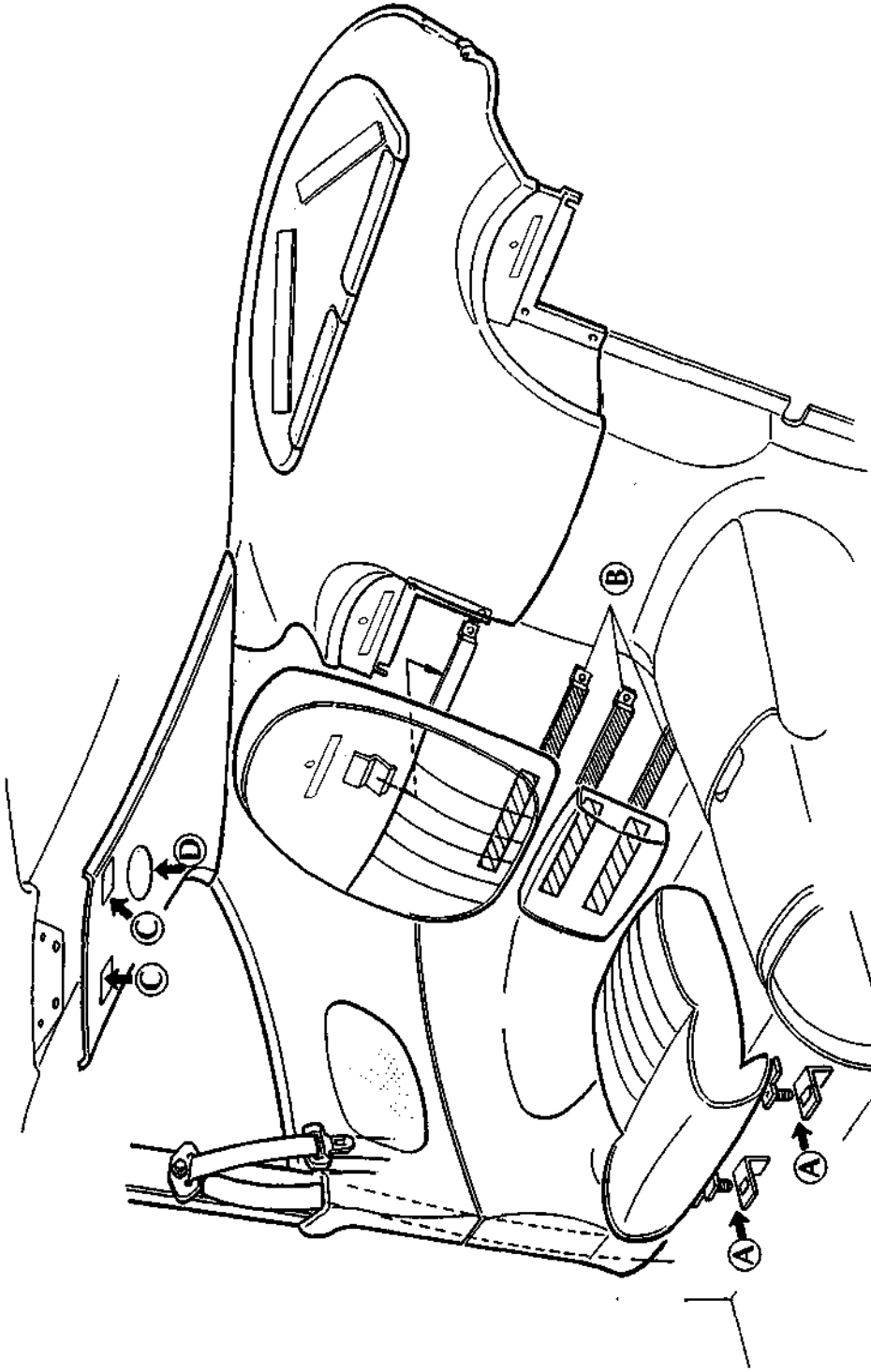
Body and Trim

Sheet 24

Rear
Console

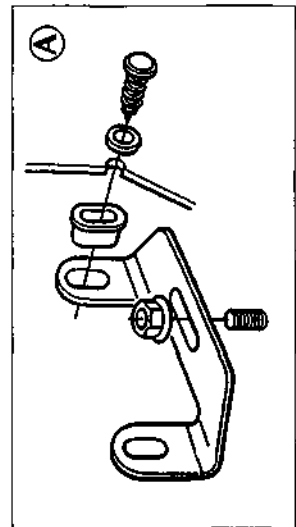
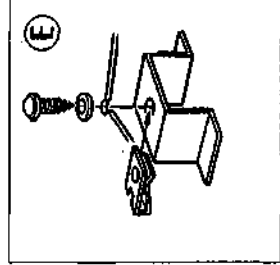
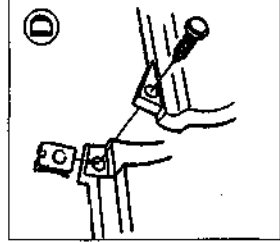
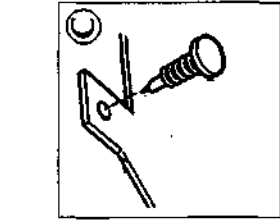
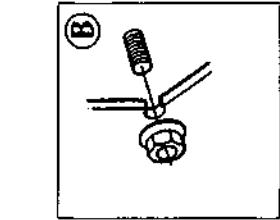
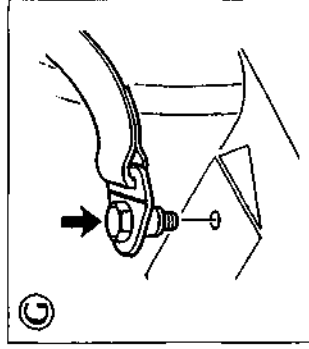
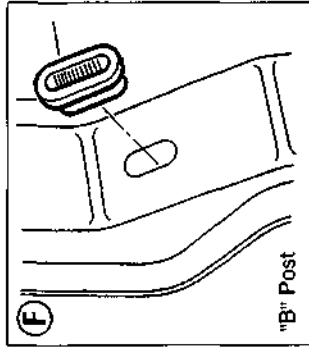
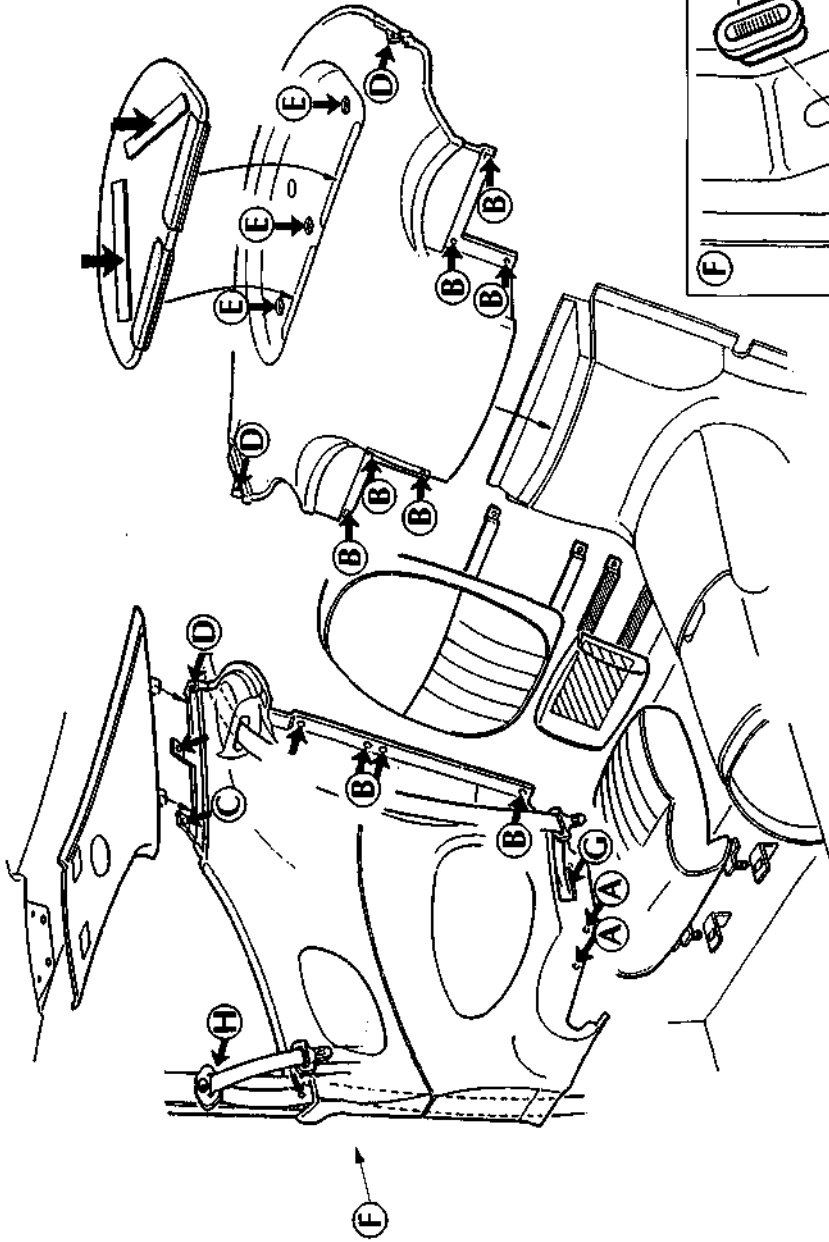
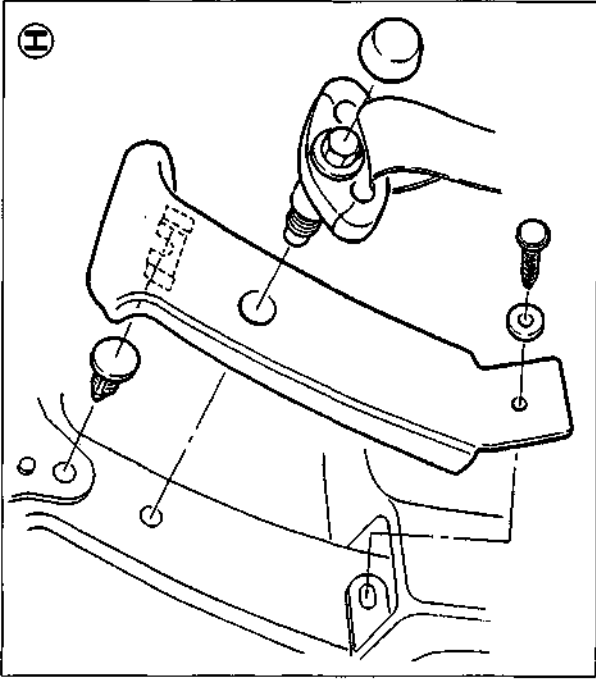
Coupe Only

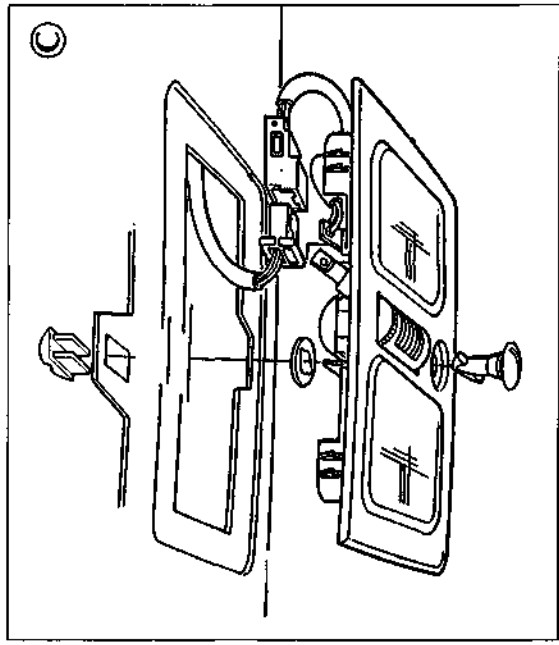
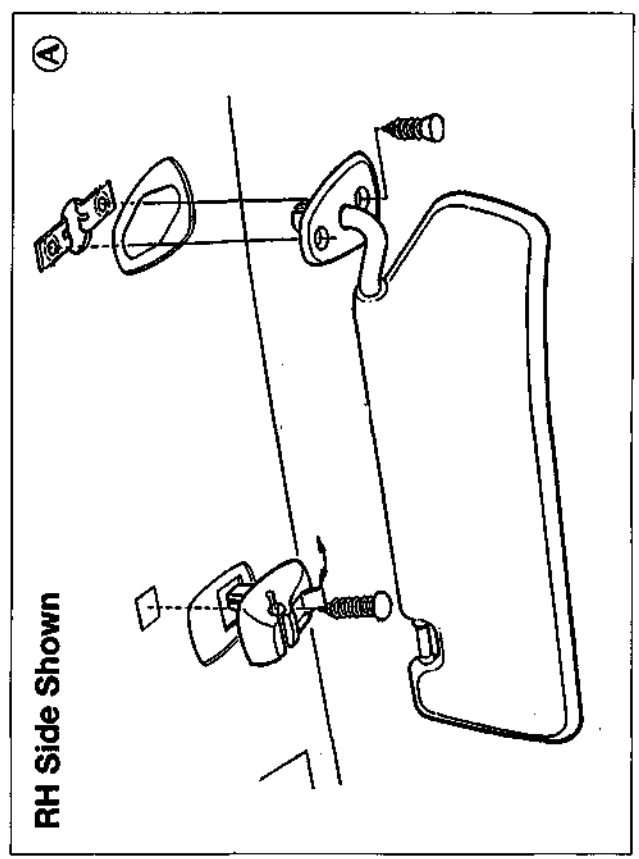
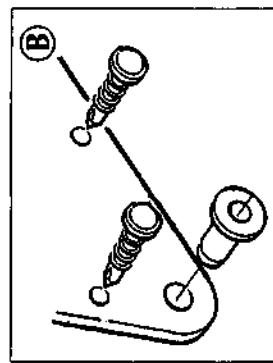
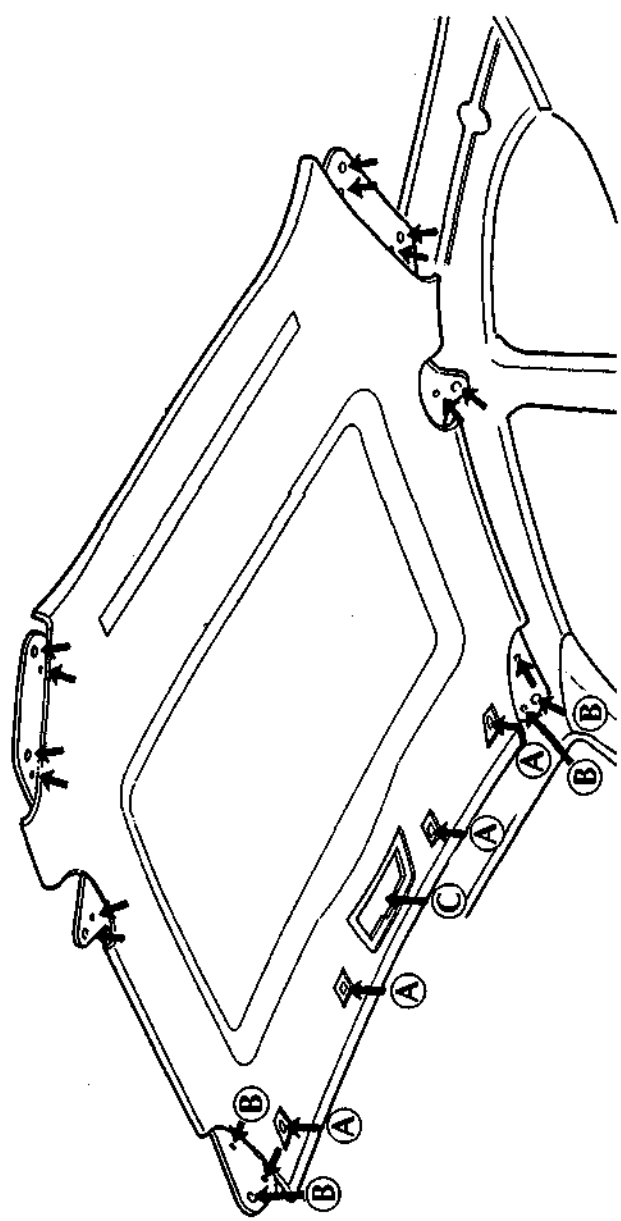




DB7
Body and Trim

Sheet 26
Coupe Only
1/4 Panels,
'B' Panels
Parcel Shelf





Volante Roof

Description

The system comprises an electrically driven hydraulic pump and two hydraulic rams for raising and lowering the roof. The pump is powered via two heavy duty changeover relays. Two further pairs of changeover relays power the rear quarter windows (one pair for each window). The roof hydraulic pump is protected by a 30A fuse, the windows by circuit breakers.

An electronic control module (ECM) is actuated by the roof switch on the centre console. The ECM controls the operation of both the roof and rear quarter window circuits so that they can only be operated in a pre-programmed manner. When in operation, the ECM provides signals to the roof and to the rear quarter windows.

When the roof switch is moved into the open (Roof Down) position, the roof and rear windows move together until approximately four seconds has elapsed. At this time, the ECM will remove power from the rear window circuits, leaving the roof motor running. The roof motor will stop after 12 seconds (i.e. a further 8 seconds after the rear window motors stop).

The signals will be removed from the rear window relay after 4 seconds and from the roof relay after 12 seconds if the roof switch is held in either position for longer than 12 seconds.

In order to comply with legislation, the following features are built into the system:

If the roof switch is operated in either direction and then released before that operation is complete, the roof and rear quarter windows will stop immediately. If, whilst the system is in operation, the ignition switch is turned to the off position, the system will immediately stop.

If the roof switch is pressed again after pausing during a roof movement, the timing sequence will be as follows:

1. If the previous direction is selected, the timing recommences from where it left off and will continue to completion. If the ignition has been turned off, the timing will start from the beginning of its cycle.
2. If the opposite direction is selected, the timing sequence will commence from the beginning of the newly selected direction and continue to completion.

Roof and Rear Quarter Light Control

The following diagrams show the component location and the electrical control for the roof and rear quarter light systems.

Roof Component Location

Roof Switch

Hydraulic Pump

ECM

Roof Up Relay

Roof Down Relay

LH Q Light Up Relay

LH Q Light Down Relay

RH Q Light Up Relay

RH Q Light Down Relay

Fuse and Circuit Breakers

Hydraulic Rams

Heated Rear Window Override Switch

Figure 1. Roof System Component Location

Roof Control System

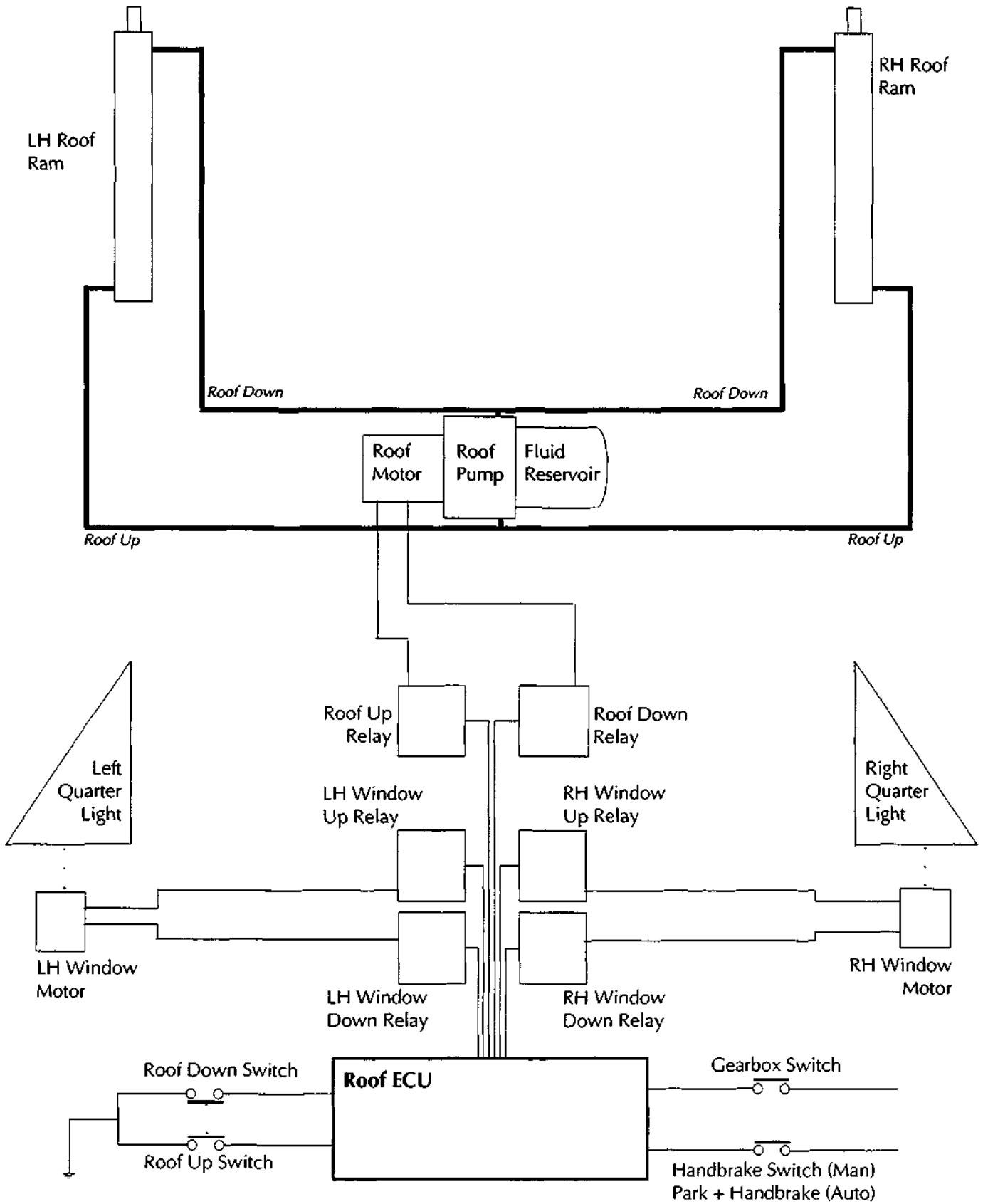


Figure 2. Roof System - Control Schematic Diagram

9.0.02.1 - Roof Removal/Replacement

1. Move the front seats fully forward for access.
2. Remove the rear seat squab and cushion. Remove the rear quarter trim panel.
3. Release the roof side curtain clips.
4. Release the rear window support bracket securing bolts (Fig 1-2).
5. Remove the side curtain clips (2 per side).
6. Release the side curtain rods and move the curtains aside.
7. Disconnect the heated rear window connector.
8. Release the rear window support bracket from the body.

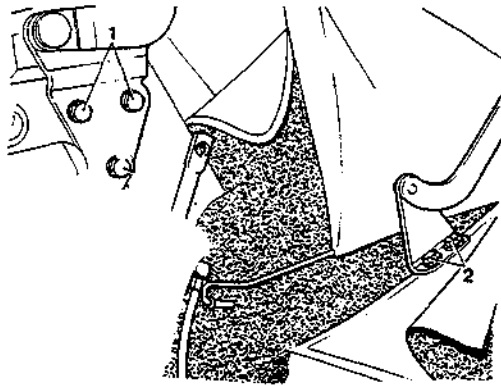


Figure 1. Rear Window Support Bracket

9. Release the roof catches.
10. Select Manual on the roof motor control switch. Lower the roof to the midway position. Select Electric on the roof motor control switch - the roof will remain in a raised position.
11. Raise the trim and remove the cable securing nuts.

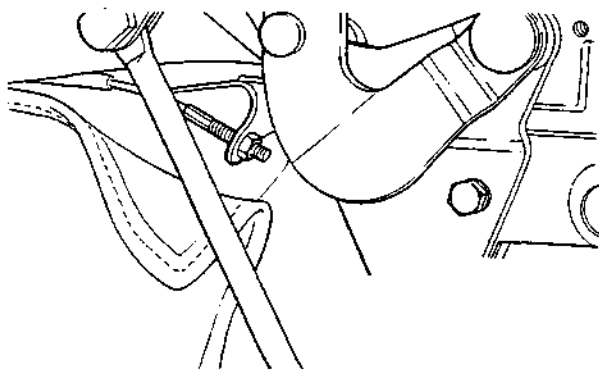


Figure 2. Cable Securing Nuts

12. Release the roof outer finisher securing screws and remove the finisher.
13. Release the cable and roof material from the body channel.

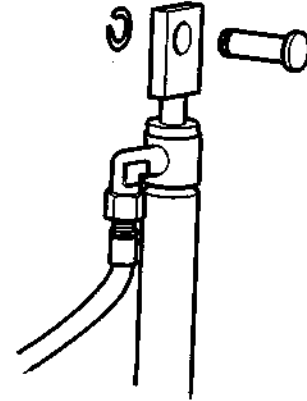


Figure 2. Ram Mountings

14. Select the Manual position on the roof motor control switch. Fold the roof and remove the ram to roof securing pins.
15. Remove the six roof to body securing bolts.
16. Remove the roof assembly.

Refitting

1. Fit the roof into position on the vehicle, aligned with the fixing holes.
2. Refit the six roof to body securing bolts.
3. Locate the rams to the pivot.
4. Select Manual on the roof motor control switch. Place the roof in the partially open position to align the ram fixing holes. Fit but do not tighten the securing bolts.
5. Fit the pivot pins and securing clips.
6. Finally tighten all bolts.
7. Position the rear window support bracket, fit and tighten the securing bolts.
8. Fully raise the roof. Select Electric on the roof motor control switch.

9. Position the rear edge of the roof to the body.
10. Position the rear cable to the roof lower edge. Position the loops on the cable (approximately 17in equi-spaced apart). Position the cable to the mounting brackets, fit but do not tighten the securing nuts.

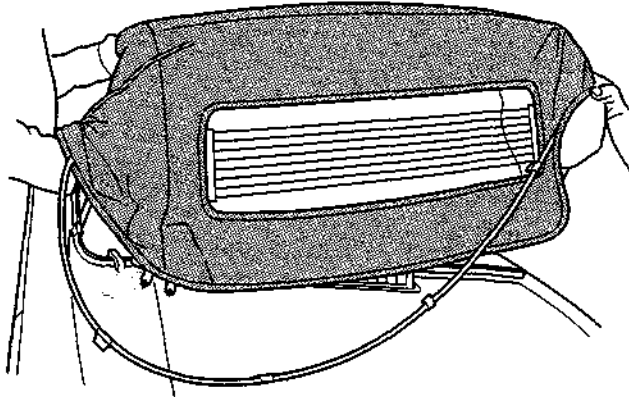


Figure 3. Cable, Roof Channel and Body Channel

11. Align the rear edge of the roof material to the body and commence tightening the cable nuts evenly. Stop frequently and check that the cable and roof channel are correctly bedding into the body channel. Continue tightening and checking until the roof is fully seated in the body channel.
12. Fit and secure the roof finishers.
13. Reconnect the heated rear window connector.
14. Position the roof inner curtain. Fit clips to the curtain rods. Fit and tighten the securing screws.
15. Refit all trim and check the roof mechanism for correct operation and fitting.

9.0.02.3 - Roof Hydraulic Control System

Procedure

1. Move the front seats forward for access.
2. Fully lower the roof.
3. Remove the rear seat squab and cushion. Remove the rear quarter trim panels.
4. Remove both the cylinder pivot pins. Release the ram cylinder assemblies (take care not to kink the pipes).
5. Remove the screws from the hydraulic pipe grommet in the rear of the roof stowage well. Remove the grommet.
6. Release the pipe securing clips.

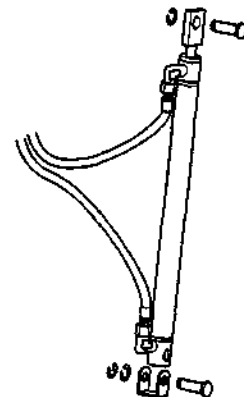


Figure 2. Ram Mountings

7. Open the boot and remove the boot floor trim panel. Remove the pump mounting plate securing bolts.
8. Release and remove the pump cover.
9. Disconnect the pump multi-plug.
10. Release the pump mounting rubbers from the plate.
11. Feed both ram cylinders into the boot through the aperture in the roof well rear wall.
12. Remove the complete hydraulic system from the boot.

Note: Check that the reservoir fluid level is correct. Always bleed the hydraulic system before topping up.

Refitting is the reverse of the removal procedure.

On completion of the refitting, check the roof operation.

9.0.02.5 - Bleeding the Roof Hydraulic System

Procedure

This procedure is completed in two stages:

- a) Bleed the left hand ram by disconnecting it from the pump.
- b) Bleed the right hand ram and pump by disconnecting both from the left hand ram.

Bleed the left hand ram:

1. Remove the roof hydraulic system.
2. Disconnect the left cylinder union nuts at the pump.

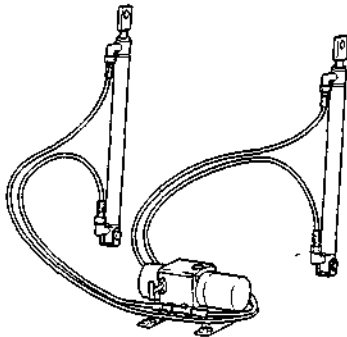


Figure 1. Left Hand Ram Bleeding

3. Submerge the two tubes in hydraulic fluid.
4. Fully extend the left hand ram to draw in clean hydraulic fluid.
5. Invert the cylinder, pause for any air in the cylinder to rise to the top and then fully retract the ram to expel any remaining air.
6. Reconnect the tubes to the pump and tighten the union nuts.
7. Remove the reservoir filler plug and fill to the maximum level indicated on the fluid reservoir. Refit the filler plug.

Bleed the right hand ram and pump:

8. Release the left hand cylinder tubes at the cylinder and submerge the tubes in hydraulic fluid.
9. Turn the motor control valve to the Electric position.
10. Fully extend the right hand ram to draw in clean fluid.
11. Invert the right hand cylinder and pause for any trapped air to rise to the top.
12. Fully retract the right hand ram to expel any trapped air.
13. Reconnect the two pipes to the left hand cylinder and tighten the union nuts.
14. Remove the filler plug and top up the reservoir with clean fluid to the maximum level indicated on the reservoir. Refit the filler plug.
15. Refit the roof hydraulic system.

9.1.01.1 - Rear Quarter Window Renewal

Procedure

1. Move the front seat forward to gain access.
2. Switch on the ignition, release the roof locking latches and lower the roof to approximately the midway position. Switch off the ignition.
3. Remove the rear seat squab and cushion. Remove the rear quarter trim panel.
4. Remove the roof cylinder support bracket securing bolts.
5. Support the roof, remove the cylinder to roof securing bolt. Remove the cylinder bracket.
6. Disconnect the cylinder from the pivot and carefully lower the roof.
7. Remove the window motor cover. Disconnect the window motor feed wires.

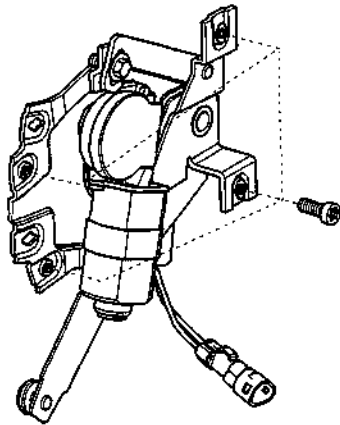


Figure 1. Window Motor Mountings

8. Release and remove the window motor finisher, feeding the wires through the grommet.
9. Remove the window motor mounting bracket securing bolts.
10. Remove the motor assembly, disengaging it from the glass.
11. Remove the window carrier securing nuts and special washers
12. Remove the window adjusters, displace and remove the window carrier.

Reassembly

Reassembly is the reverse of the removal procedure.

On reconnection of the motor, check the window height as follows:

1. Switch on the ignition and raise the rear quarter windows.
2. Check that the top of the glass is exactly level with the top edge of the fully raised door window.
3. Check for a complete vertical seal between the rear quarter window and the door window.
4. If the rear window alignment is not correct, adjust it using the procedure in the Wind Noise and Sealing section.
5. Switch off the ignition and complete the reassembly.
6. Switch on the ignition, raise the roof and recheck for complete sealing at the rear window top edge.

9.1.01.2 - Rear Quarter Glass Adjustment

The rear quarter glass can be adjusted in three planes, Lateral, Up and Down, and Front to Rear. During initial assembly, assuming that the door is correctly gapped and profiled, the door glass is set to the upper 'A' post seal and the front frame seal. The rear quarter glass is then set to the door glass.

Both glass tops should be accurately aligned and there should be a minimum 2mm gap between the glasses. Any minor adjustments are then made using the following procedures.

Lateral Adjustment

Remove the rear quarter trim panel. Remove the adjuster stud locknuts and special washers (Fig 7-A). Using a 5mm box spanner, rotate the adjuster screw clockwise to move the glass inboard or anti-clockwise to move the glass outboard (Fig 7-B). Refit the special washers, refit and tighten the locknuts. Refit the rear quarter trim panel.

Front to Rear Adjustment

Remove the rear quarter trim panel. Loosen the three adjuster stud locknuts. Adjust the glass front to rear as required (Fig 7-C). Re-tighten the locknuts. Check and readjust as required. Refit the rear quarter trim panel.

Up and Down Adjustment

Remove the rear quarter trim panel. Slacken off the lockbolt (Fig 7-D) two to three turns. Adjust the vertical position of the glass as required. Re-tighten the lockbolt. Recheck the glass position and readjust as required. Refit the rear quarter trim panel.

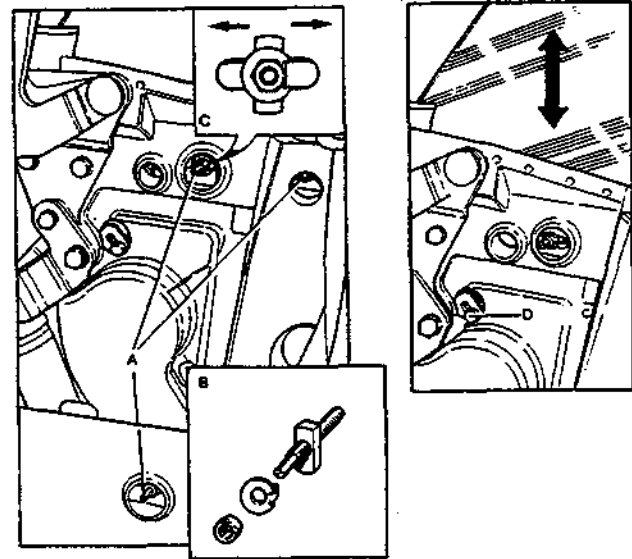


Figure 7. Rear Quarter Glass Adjustments

9.1.01.4 - Rear Quarter Window Lift Motor - Left Hand

Procedure

1. Move the front seat forward to gain access.
2. Switch on the ignition, release the roof locking latches and lower the roof. Switch off the ignition.
3. Remove the rear seat squab and cushion. Remove the rear quarter trim panel.
4. Disconnect the window motor feed wires.

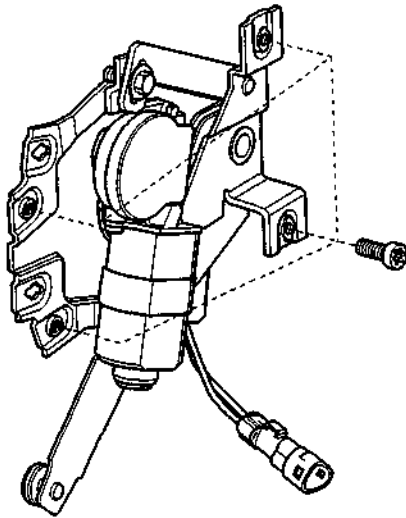


Figure 1. LH Window Lift Motor Removal

5. Release and remove the window motor finisher, feeding the wires through the grommet.
6. Remove the window motor mounting bracket securing bolts.
7. Remove the motor assembly, disengaging it from the glass.
8. Remove the motor to carrier securing bolts and remove the motor.

Reassembly

Reassembly is the reverse of the removal procedure.

On reconnection of the motor, check the window height as follows:

1. Switch on the ignition and raise the rear quarter windows.
2. Check that the top of the glass is exactly level with the top edge of the fully raised door window.
3. Check for a complete vertical seal between the rear quarter window and the door window.

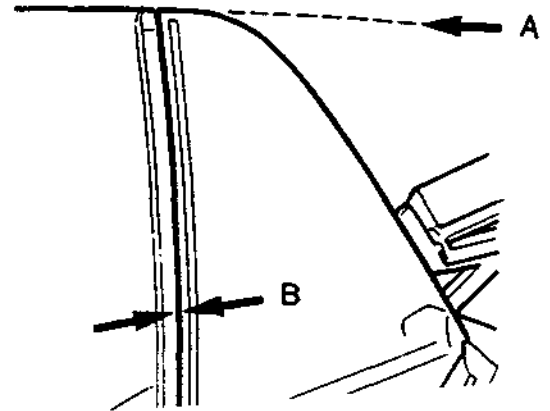


Figure 1. Rear Quarter Window Alignment

4. If the rear window alignment is not correct, adjust it using the procedure in the Wind Noise and Sealing section.
5. Switch off the ignition and complete the reassembly.
6. Switch on the ignition, raise and latch the roof, recheck for complete sealing at the rear window top edge.

9.1.01.5 - Rear Quarter Window Lift Motor - Right Hand

Procedure

1. Move the front seat forward to gain access.
2. Switch on the ignition, release the roof locking latches and lower the roof. Switch off the ignition.
3. Remove the rear seat squab and cushion. Remove the rear quarter trim panel.
4. Disconnect the window motor feed wires.

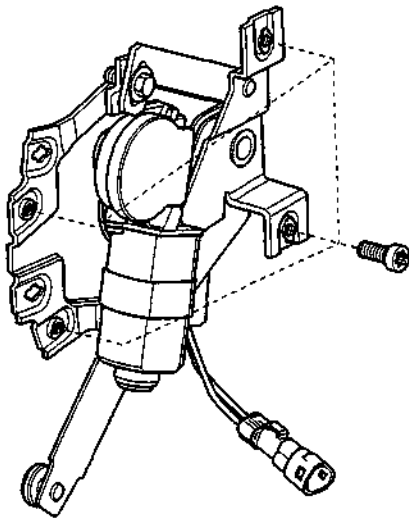


Figure 1. LH Window Lift Motor Removal

5. Release and remove the window motor finisher, feeding the wires through the grommet.
6. Remove the window motor mounting bracket securing bolts.
7. Remove the motor assembly, disengaging it from the glass.
8. Remove the motor to carrier securing bolts and remove the motor.

Reassembly

Reassembly is the reverse of the removal procedure.

On reconnection of the motor, check the window height as follows:

1. Switch on the ignition and raise the rear quarter windows.
2. Check that the top of the glass is exactly level with the top edge of the fully raised door window.
3. Check for a complete vertical seal between the rear quarter window and the door window.

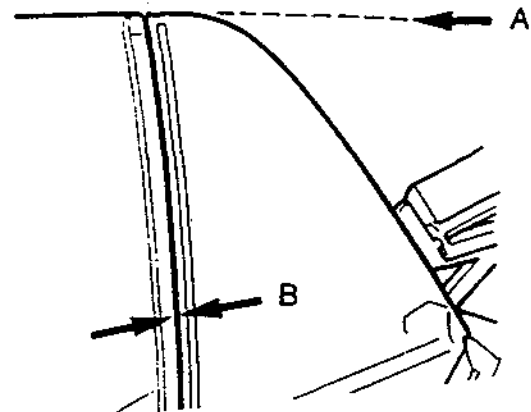


Figure 2. Rear Quarter Window Alignment

4. If the rear window alignment is not correct, adjust it using the procedure in the Wind Noise and Sealing section.
5. Switch off the ignition and complete the reassembly.
6. Switch on the ignition, raise and latch the roof, recheck for complete sealing at the rear window top edge.

Roof Sealing and Wind Noise

Roof seals and side windows have been provided with a range of adjustments capable of dealing with any leaks which may occur.

The following information is divided into five sections:

1. A post and header sealing/roof lock adjustment
2. Roof seals - adjustment
3. Cheater plate seals - adjustment/renewal
4. Door glass - adjustment
5. Rear quarter glass - adjustment (9.1.01.2)

When a leak is reported, either wind noise or water ingress, try to pinpoint the actual leak path using any of the following methods:

- An ultrasonic leak detector
- An air flow detector, e.g. Drager smoke tube
- Paper test strips at seal contact areas

9.2.01.5 - 'A' Post/Header Sealing and Lock Adjustment

When a leak is detected at the top of the 'A' post adjacent to the header rail seal, first ensure that the roof lock is correctly adjusted.

If the lock is difficult to operate, it is probably overtensioned. Release the retaining hook locknut and extend the hook one full turn. Check and repeat the adjustment as necessary.

If the locking handle is loose, it is undertensioned. Release the retaining hook locknut and screw the hook inwards one full turn. Check and repeat the adjustment as necessary.

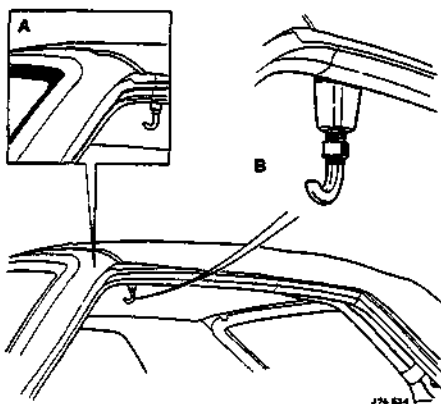


Figure 1. Roof Lock

Open the roof and check for obvious seal defects i.e. collapse, damage or manufacturing faults. Replace where necessary. If the lock tension is correct and a leak is still evident, it may be caused by lack of pressure between the front frame and header seals (Fig 2).

Increase seal pressure by inserting a packer between the front and rear frame seals (see DB7 Volante parts manual).

Note: After fitting seal packers, check the locking handle tension and adjust if necessary. If a leak is still evident, go to 9.2.01.6.

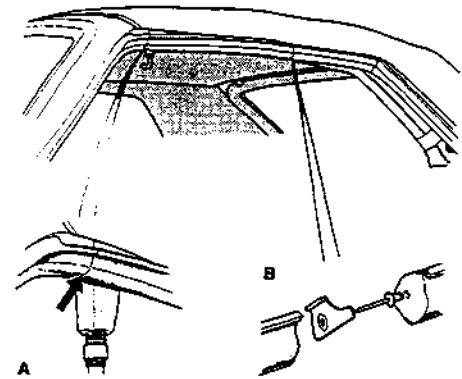


Figure 2. Front and Rear Seal Packers

9.2.01.6 - Roof Seals - Adjustment

Seal adjustment is done in two stages. First stage - lateral adjustment, and second stage - outward adjustment. Seals are packed out using selected packing strips.

Lateral Adjustment

Partially open the roof.

Front frame seal only: Remove the seal retaining plate. Remove the seal from the channel.

Slacken the channel securing screws and reposition the channel as required, moving it on the slotted screw holes (Fig 3-A). Tighten the channel securing screws.

Apply soft soap to the seal and insert the outer seal edge into the channel. Then press in the inner edge to fully seat the seal.

Refit the seal retaining plate.

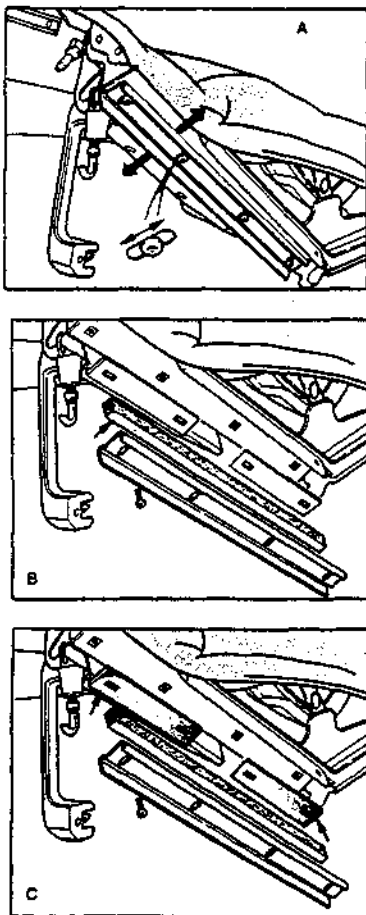


Figure 3. Front Frame Seal Adjustment

Outward Adjustment

Partially open the roof.

Remove the seal retaining plate. Remove the seal from the channel. Mark the position of the channel for reference, release the screws and remove the channel.

Select the appropriate packing (Figure 3-B)(see DB7 Volante parts manual):

- Rear frame seal foam strip
- Front frame seal foam strip
- Main column seal foam strip
- Upper 'A' post seal foam strip

Note: The foam strips are for full length packing. For packing at one end only, a shorter rubber wedge can be used. (Fig 1-C)

Fit the foam strip/rubber wedge and channel. Align the channel in the previously marked position. Fit and tighten the securing screws.

Apply soft soap to the seal and insert the outer seal edge into the channel. Then press in the inner edge to fully seat the seal. Refit the seal retaining plate.

Note: It is important at all times to retain the overall shape of the roof seal line (Fig 4). Where a leak necessitates the adjustment of only one or two seals, ensure that there are no misalignments. A more satisfactory result may be obtained by adjusting the adjacent component, i.e. the door glass or rear quarter glass.

The relationship between the roof seals is very important. Two seals in very close contact will promote leakage problems. Sealing will be far more effective if the seals touch lightly or exhibit a small air gap (Fig 4).

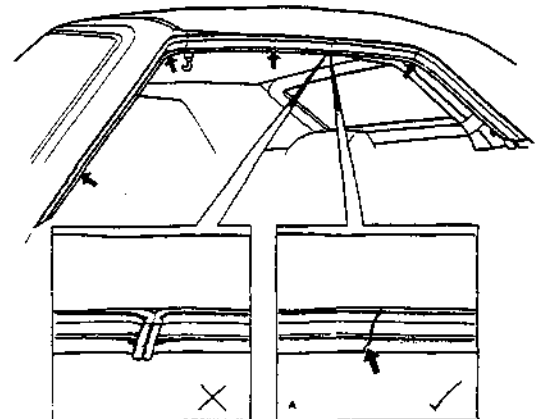


Figure 4. Seal Line and spacing

9.2.01.7 - Cheater Plate Seals - Adjust/ Renew

The contact line along the front edge of the door glass, and continuing via the cheater plate, is critical. Closer examination of the cheater plate assembly (following leak path identification) may reveal ridges where the upper and lower seals are joined. (Fig 5). The only solution is to carefully fit new seals using an appropriate sealant and contact adhesive.

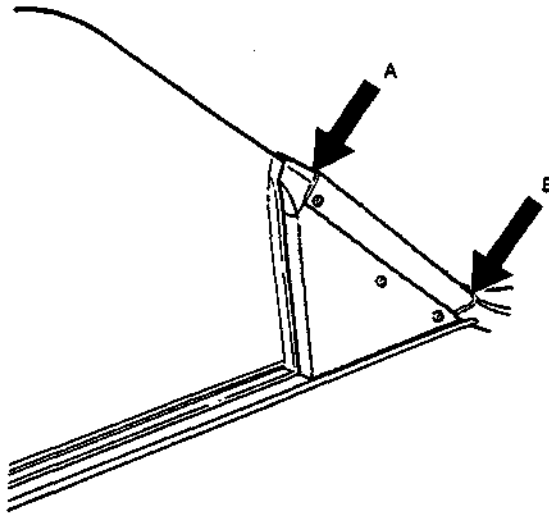


Figure 5. Cheater Panel Seals

If the leak is caused by incorrect positioning of the door glass, carry out the adjustment procedure as detailed in 9.2.01.8.

9.2.01.8 - Door Glass Adjustment

The door glass can be adjusted in three planes, Lateral, Up and Down, and Front to Rear. It is advisable however to avoid forward and rearward adjustment if possible, as this will affect the height and overall position of the glass relative to the seals. Use this adjustment only to correct serious misalignment.

Lateral Adjustment

Remove the door trim pad. Partially lower the window to allow access to the glass channel mounting bracket (Fig 6-A). Slacken off the four nuts to allow lateral adjustment. Move the glass to the desired position and tighten the nuts. Close the window and recheck the alignment. Repeat the adjustment until the optimum alignment is achieved. Refit the door trim pad.

Upward Adjustment

Remove the door trim pad. Slacken off the regulator locknut (Fig 6-B). With the door closed, operate the window to the fully closed position and tighten the locknut. Refit the door trim panel.

Front to Rear Adjustment

Remove the door trim pad. Partially lower the window to allow access to the glass channel mounting bracket (Fig 6C). Slacken the four screws to allow glass movement. Move the glass to the required position and tighten the screws. Close the window and recheck the alignment. Repeat the adjustment as necessary until the optimum front to rear alignment is achieved. Refit the door trim pad.

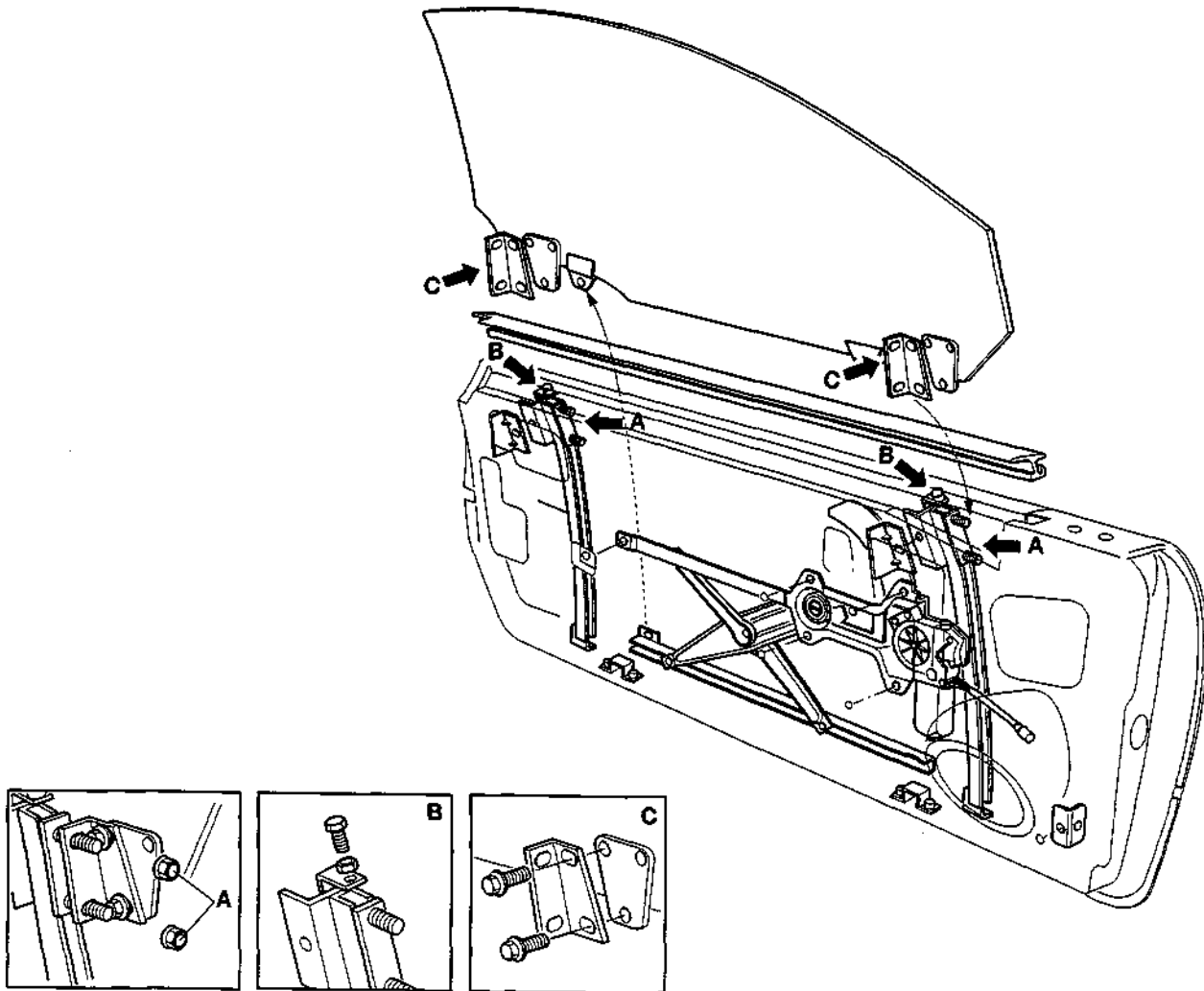


Figure 6. Door Glass Adjustments

Cleaning of Alcantara Trimmed Roof Lining and Interior Components

Recommendations

1. Clean the stain immediately.
2. Clean the stain working from the edge to the centre of the spot to prevent a ring forming.
3. Delicately remove most of the dirt with a blunt scraper and immediately blot the spot with a clean white cloth.
4. Once you've identified the type of stain, follow the instructions in the spot removal chart.
5. Never pour a solvent directly on the spot; instead pour the solvent on a clean cloth.
6. After you've applied the spot remover, remove it with a dry clean cloth. Afterwards, brush the area against the material nap.
7. Let the spot dry. Do not sit on a humid part. Afterwards, vacuum the spot with a vacuum cleaner.

Spot Removal Chart

Type of Stain	Cleaning Product and Cleaning Method
Alcohol-Liquors	Wash with mild soap, then blot with denatured alcohol
Beer	Blot with lukewarm water (max 50°C) and denatured alcohol at 3%
Coffee, Tea, Milk	Wash with mild soap. If the stain persists, blot with denatured alcohol or ammonia diluted at 10%.
Chocolate, Confectionary	Blot with lukewarm water (max 50°C) or with ammonia diluted at 5%.
Paints	Oil Paint - Blot with ethyl alcohol then wash with mild soap. Water Based Paint - If the stain is fresh, blot with cold water. An old stain is very difficult to remove, consult a specialist.
Cosmetics	Apply ethyl alcohol or perchloroethylene, then wash with mild soap. If the stain persists, use ammonia diluted at 5% or denatured alcohol.
Grass, Plants	Blot with lukewarm water (max 50°C) then wash with mild soap.
Chewing Gum	Blot with acetone.
Ink	Remove as much as possible with a paper towel. Blot with a solution of 30% denatured alcohol and 70% water, then wash with mild soap. Lemon juice also gives good results.
Marmalade, Syrup, Fruit Juice	Blot with lukewarm water (max 50°C). If the stain persists, use ethyl alcohol or perchloroethylene
Oil, Grease	Blot with denatured alcohol, then wash with mild soap.
Ballpoint Pen	Blot with perchloroethylene and denatured alcohol.
Wine Beverages	Blot with water and vinegar (50%), then wash with mild soap.

Contents

General Description	8-5
Specifications	8-5
Climate Control System	8-6
System Description	8-7
Special Servicing Tools and Equipment	8-7
Working Practices	8-8
General	8-8
Handling Refrigerant	8-8
Handling Lubricating Oil	8-8
System Maintenance	8-8
Temperature Distribution System	8-9
Fan Speed Control (Mode Switch)	8-10
Face Level Temperature Differential	8-10
Temperature Rotary Control	8-10
Refrigeration Cycle	8-11
System Protection	8-12
General System Procedures	8-12
Leak Test	8-12
Charge Recovery (System Depressurisation)	8-12
Evacuating the System	8-13
Adding Compressor Lubricating Oil	8-13
Adding Refrigerant	8-14
Functional Check	8-15
System Trouble Shooting	8-17
Electronic Control Module (ECM)	8-19
In Car Controls	8-21
Temperature Demand Switch	8-21
Face Level Differential Controller	8-21
Air Conditioning Function Switch	8-22
Fan Speed Control Switch (Mode Switch)	8-23
Temperature Sensors	8-23
Evaporator Sensor	8-24
Motorised In-Car Aspirated Sensor	8-24
Water Temperature Switch	8-25
Blower Motors	8-25
Potentiometers	8-26
Servo Motors	8-27
Vacuum System	8-28
Pressure-Temperature Graphs	8-29

System Fault Diagnosis

Fault Finding	8-30
Blower Motor Test	8-33
Open Water Temperature Switch Needs	8-33
Short Water Temperature Switch Leads	8-33
Refrigeration	8-34
Compressors	8-35
Compressor Clutch Control	8-35
Trinary Switch	8-35
Condenser	8-35
Receiver-Drier	8-36
Evaporator	8-36
Expansion Valve	8-36
Sanden Compressor SD7H15	8-37

Manifold Gauge Set

System Checking with the Manifold Gauge Set	8-39
Evacuating the Manifold Gauge Set	8-39
Connecting the Manifold Gauge Set	8-39
Stabilising the System	8-39
Purging the Test Hoses	8-40
Leak Test	8-40
Manifold Gauge Set Check Procedures	8-41
Refrigerant Slightly Low.	8-41
Refrigerant Excessively Low.	8-42
Air In The System.	8-42
Compressor Malfunction	8-43
Moisture in the System	8-44
A Large Amount of Air in the System.	8-45
Expansion Valve Malfunction.	8-45
Expansion Valve Malfunction	8-46
Restriction in the High Pressure Side.	8-46
Torque Levels for the Hose Connections	8-47

Air Conditioning Procedures

Depressurising	8-47
Recovering Refrigerant	8-47
Evacuating and Recycling the Refrigerant	8-48
Recharging the System	8-49
Compressor Oil Check	8-49

Repair Procedures

8.1.01.1	Compressor Removal/Renewal	8-51
8.1.02.1	Field Coil Renewal	8-52
8.1.03.1	Renew Gasket Kit	8-52
8.1.04.1	Valve Plate Renewal	8-53
8.1.05.1	Expansion Valve Renewal	8-54
8.1.06.1	Hose-Compressor to Evaporator Renewal	8-55
8.2.01.1	Air Conditioning Unit Renewal	8-55
8.2.02.1	Evaporator Unit Renewal	8-56
8.2.03.1	Upper Servo Feedback Potentiometer Renewal	8-57
8.2.04.1	Lower Servo Feedback Potentiometer Renew	8-57
8.2.05.1	Upper Flap Motor Assembly Renew	8-58
8.2.06.1	Lower Flap Motor Assembly Renew	8-58
8.2.07.1	Ambient Temperature Sensor Renew	8-59
8.2.08.1	Blower Motor Driver Side Renewal	8-59
8.2.09.1	Blower Motor Passenger Side Renewal	8-59
8.2.10.1	Blower Assembly Driver/Passenger Side Overhaul	8-60
8.2.11.1	Blower Motor High Speed Relay Renewal	8-61
8.2.12.1	Water Temperature Switch Renewal	8-62
8.2.13.1	Heater Matrix Renewal	8-62
8.2.14.1	Electronic Control Module Renew	8-63
8.3.01.1	Vacuum System Solenoid Renewal	8-63

General Description

Specifications

Refrigerant

Designation

Refrigerant R134A
(HFC134A)

Charge weight

1050 g ± 50 g

Manufacturer and Type

ICI Klea or equivalent

Compressor

Type & model

SD-7H15

Configuration

7 cylinder

Manufacturer

Sanden
155 cm³ per revolution

Compressor Lubricants

Designation

Polyalkylene glycol (PAG)

System Capacity

120-150 ml

Manufacturer and Type

Sanden SP 20

Standard for Recovery, Recharge and Recycle Equipment.

Feature

Recovery rate
Cleaning capability
Oil separator
Vacuum pump
Filter
Charge
Hoses
Charge pressure

Requirement

0.014-0.062 m³/min. (1.36 kg in 20 minutes)
15 ppm moisture; 4000 ppm oil; 330 ppm non-condensable gases in air
With hermetic compressor and automatic oil return
2 stage 0.07 -0.127 m³/min.
Replaceable with moisture indicator
Selectable charge weight and automatic delivery
Dedicated Refrigerant R134A port connections.
Heating element to increase pressure

Compressor Belt Tension

Type

Vee belt
Burroughs method

Clavis method

Condition and range

All figures apply to a cold belt.
New belt 578 to 623 N
If tension is below 356 N, reset at 512 to 534 N
New belt 147 to 153 Hz
If tension is below 110 Hz, reset at 132 to 138 Hz

Note: The tension is measured midway between the compressor and crankshaft pulleys. For a new belt, rotate engine three revolutions minimum and then re-check the tension.

Climate Control System

Features

- Refrigerant R134A (Hydro fluorocarbon), non ozone depletory.
- PAG (polyalkylene glycol) synthetic compressor lubricating oil.
- Dedicated and improved compressor for Refrigerant R134A.
- Quick fit and release self sealing charge and discharge ports.
- Triple pressure (Trinary) switch to control the compressor (incorporated into the liquid line).
- Clamp retained 'O' ring seals at the expansion valve and evaporator.
- All aluminium evaporator matrix and pipe work.
- Aluminium receiver-dryer (without sight glass) and HFC dedicated desiccant.
- Parallel flow extended height condenser.
- Single muffler situated in the suction hose.
- Improved electrical system connectors.
- Improved system control panel.
- System Recognition

Identification Features

- Aluminium pipes.
- Large diameter, quick release charge and recovery ports.
- No sight glass.

System Description

The in-car temperature and humidity are regulated by the electronically controlled air conditioning system. The system comprises four subsystems:

- heater matrix, supplied with water from the engine cooling system
- refrigeration
- vacuum
- electronic control

Apart from the ambient temperature sensor and the aspirated in-car temperature sensor, most of the components are housed in the air conditioning unit (Fig. 1) situated behind the dash board, or in the engine compartment.

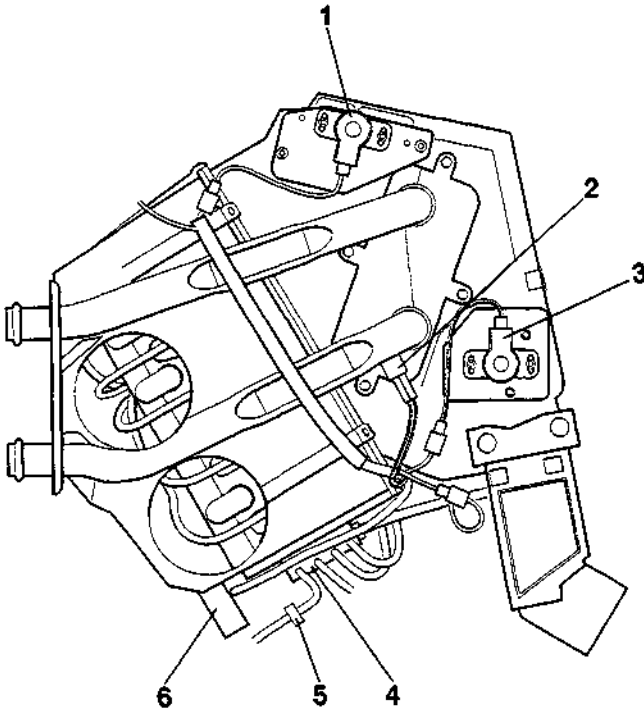


Figure 1.

Key to Fig. 1 - Left Hand Air Conditioning Unit

1. Upper feedback potentiometer
2. Water temperature switch
3. Lower feedback potentiometer
4. Vacuum valve block
5. Vacuum restrictor
6. Condensate drain tube

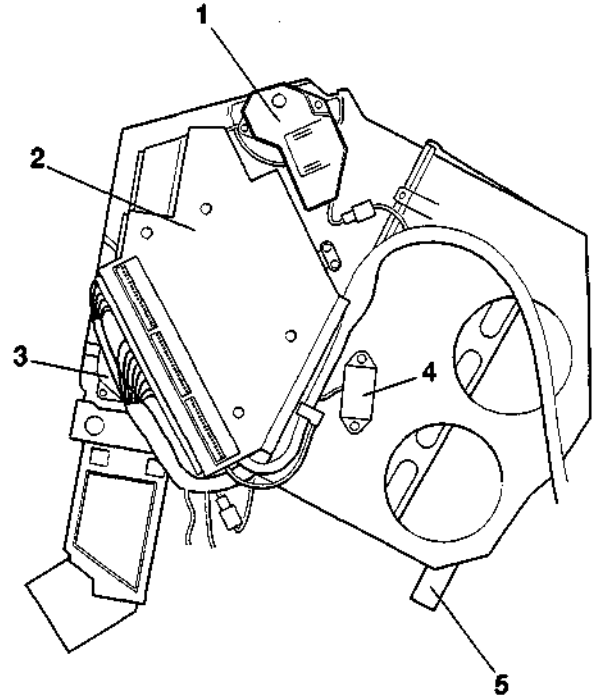


Figure 2.

Key to Fig. 2 - Right Hand Air Conditioning Unit

1. Upper servo motor
2. Electronic control module
3. Lower servo motor
4. Evaporator sensor
5. Condensate drain tube

Special Servicing Tools and Equipment

- 1 PDU system
- 1 Charging station
- 1 Leak detector
- 1 Temperature test box

- 1 Sanden compressor service tool kit
- 1 GM Type compressor service tool kit
- 1 Digital voltmeter
- 1 Multimeter

Working Practices

General

Be aware of, and comply with, all health and safety requirements.

Before beginning any repair or service procedure, disconnect the vehicle battery ground connection and protect the vehicle from dirt or damage.

Work in a well ventilated, clean and tidy area.

Recovery and charge equipment must comply with, or exceed the standard detailed in the General Description.

Handling Refrigerant

Wear eye protection at all times.

Use gloves, keep skin that may come into contact with refrigerant covered. If the refrigerant comes into contact with your eyes or skin wash the affected area *immediately* with cool water and seek medical advice, *do not* attempt to treat yourself.

Avoid inhaling refrigerant vapour, it will irritate your respiratory system.

Never use high pressure compressed air to flush out a system. Under certain circumstances a combination of HFC 134A and compressed air in the presence of a source of combustion (for instance, welding or brazing equipment), results in an explosion that releases toxic compounds into the atmosphere.

The refrigerant and CFC 12 must never come into contact with each other as they form an inseparable mixture that can only be disposed of by incineration.

Do not vent refrigerant directly into the atmosphere, always use approved recovery equipment. *Refrigerant is costly but it can be recycled.* Clean the refrigerant, using the recovery equipment and reuse it.

Carry out Leak Tests only with an electronic analyser dedicated to Refrigerant E134A.

Do not attempt to guess the amount of refrigerant in a system, always recover it and recharge with the correct charge weight. Do not depress the charge or discharge port valves to check for the presence of refrigerant.

Handling Lubricating Oil

Avoid breathing lubricant mist, it will cause irritation to your respiratory system.

Always decant fresh oil from a sealed container. Do not leave oil exposed to the atmosphere for any reason other than to fill or empty a system; PAG oil is hygroscopic (it absorbs water) and is contaminated rapidly by atmospheric moisture.

Following the recovery cycle *do not* reuse the oil when it has been separated from the refrigerant; dispose of the oil safely.

System Maintenance

Do not leave the system open to the atmosphere. If a unit or part of the system is left open for more than five minutes, it is advisable to renew the receiver-dryer. There is not a safe period in which work is to be carried out. *Always* plug pipes and units immediately after disconnection and only remove plugs when re-connecting.

If replacement parts are supplied without transit plugs and seals do not use the parts. Return them to your supplier.

Diagnostic equipment for pressure, mass and volume should be calibrated regularly and certified by a third party organisation.

Use extreme care when handling and securing aluminium fittings, always use a backing spanner and take special care when handling the evaporator.

Use only the correct or recommended tools for the job and apply the manufacturer's torque specifications.

Keep the working area, all components and tools clean.

Temperature Distribution System

The heating and ventilation unit case consists of three sections:

- the front, which contains the air conditioning system evaporator
- the rear section, which consists of two parts and contains the heater matrix and rotary flaps
- the lower outlets which direct air to footwell and rear passenger compartment and are removable.

Temperature variation within the car is achieved by all incoming air passing through the evaporator and then being directed through or around the heater matrix by rotary flaps:

- Full heating (Fig.1)
- Defrost (Fig. 2)
- Full cooling (Fig. 3)
- Blend (Fig. 4)

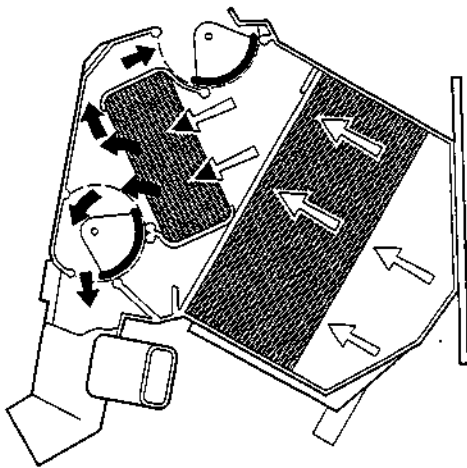


Figure 1.

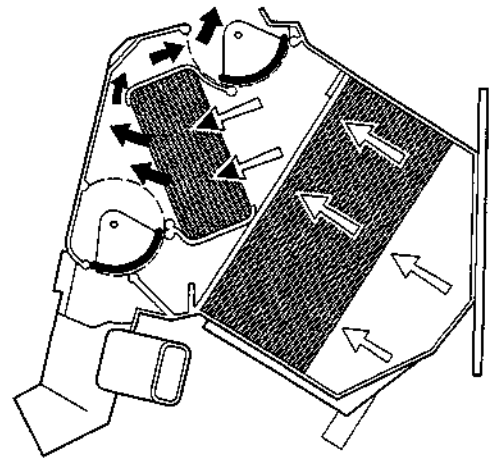


Figure 2.

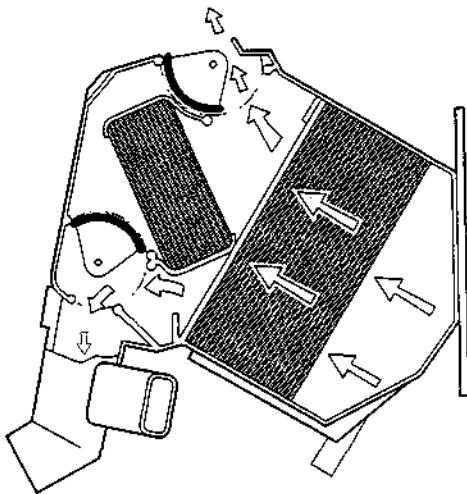


Figure 3.

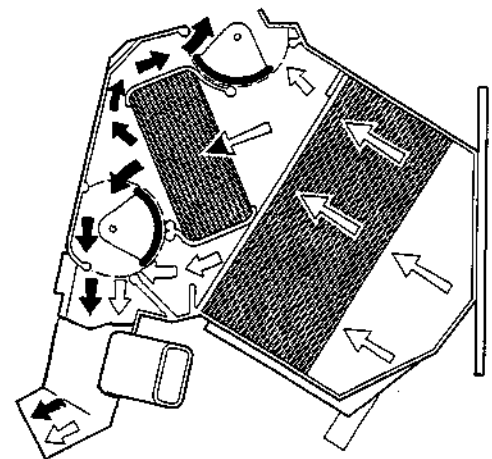


Figure 4.

The rotary flaps are opened or closed by servo motors, as directed by the control system, and flap position information is relayed to the ECM by feedback potentiometers.

(Solid arrow = Hot, Line arrow = Cold)

The Control Panel (Fig. 4) contains:

- Fan speed-defrost rotary switch (Mode-Switch),
- Air Conditioning Function Switch
- Temperature differential rotary control
- Temperature rotary control,

The control panel relays information to the ECM.

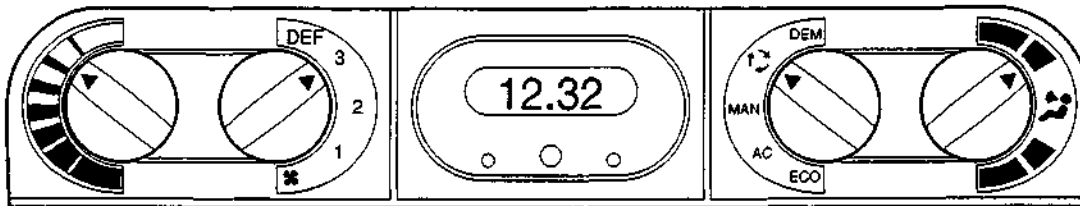




Figure 4.

Fan Speed Control (Mode Switch)

The rotary switch controls airflow from the blower motors. The switch has five positions: , 1, 2, 3 and DEFROST.

-  The system is not operational; a residual signal is sent to the Electronic Control Module (ECM) to ensure that the blower flaps are closed to prevent outside air from entering the system.
- 1, 2,3 Selection information is relayed to the ECM. Signals are also relayed to the ECM from the temperature selector feedback circuits and various sensors. Fan speed is steplessly controlled by the ECM, within the ranges 1, 2 and 3.
- DEFROST the fans operate at maximum speed, front screen vents open fully, lower flaps close fully and maximum output is directed to the windscreen (there may be a delay of up to 30 seconds from selection to execution of this function).

Face Level Temperature Differential

This control is used to vary the temperature difference between the air coming through the face vents and that coming through the lower vents into the footwell.


Temperature Rotary Control

This is used to preset the in car heat level in either automatic or manual mode. There are three temperature sensors located in the system:

- Exterior ambient
- In-car
- Evaporator.

An input voltage is supplied to the sensors from AC4-13 of the control module. The temperature sensing signal from the sensors is transmitted to the control module via AC4-4 and AC2-4 respectively. The sensors are semiconductor devices which provide a voltage output proportional to the sensed temperature.

Air Conditioning Function Switch

When AC, DEM or Re-circulation  is selected the system engages the Air conditioning compressor using the electromagnetic clutch. The in-car temperature is automatically corrected to the pre selected level by the system sensors.

When MAN (manual mode) is selected it provides the operator selection of fan speed and in-car temperature selection facilities. The in-car temperature is not thermostatically corrected to a predetermined level by the system sensors.

When ECO is selected the system is in economy mode which allows the fan speed and heating levels to be selected but gives no cooling. The air conditioning compressor is not engaged putting a minimum load on the engine.

When manual re-circulation is selected the blower flaps are closed and only that air which is in the vehicle is re-circulated. When the ignition is turned off the blower flaps revert to the fresh air position.

Refrigeration Cycle

The Compressor draws low pressure refrigerant from the evaporator and by compression, raises refrigerant temperature and pressure. High pressure, hot vaporised refrigerant enters the Condenser where it is cooled by the flow of ambient air. A change of state occurs as the refrigerant cools in the condenser and it becomes a reduced temperature high pressure liquid.

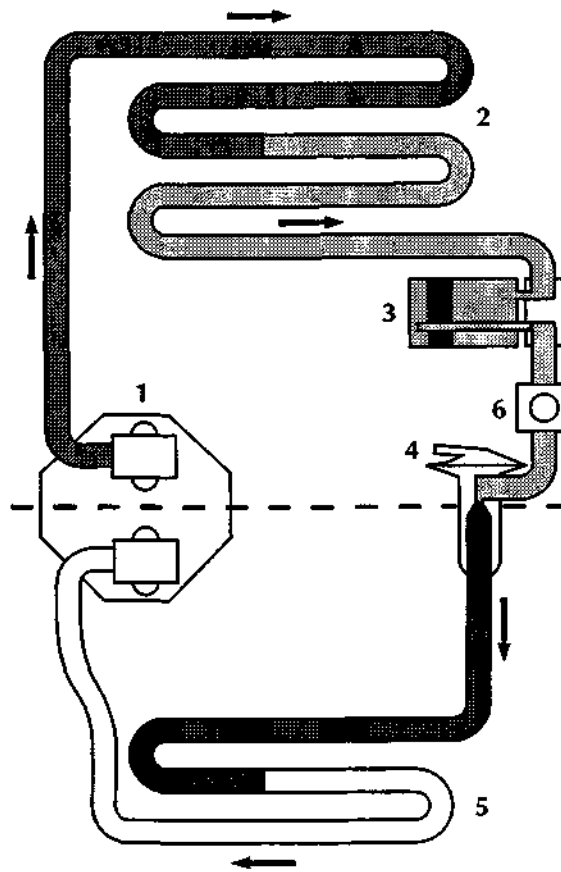


Figure 5.

- | | | | |
|----|----------------|----|---|
| 1. | Compressor | 4. | Expansion Valve |
| 2. | Condenser | 5. | Evaporator |
| 3. | Receiver-Drier | 6. | Triple Pressure Switch (Trinary switch) |

From the condenser the liquid passes into the Receiver-Drier which has three functions:

- Storage vessel for varying system refrigerant demands.
- Filter to remove system contaminants.
- Moisture removal via the desiccant.

With the passage through the receiver-drier completed the, still high pressure liquid refrigerant, enters the Expansion Valve where it is metered through a controlled orifice which has the effect of reducing the pressure and temperature.

The refrigerant, now in a cold atomised state, flows into the Evaporator and cools the air which is passing through the matrix.

As heat is absorbed by the refrigerant it once again changes state, into a vapour, and returns to the compressor for the cycle to be repeated (Fig. 5).

There is an automatic safety valve incorporated in the compressor which operates should the system pressure be in excess of 41 bar. The valve re-seats when the pressure drops below 35 bar.

Note: The division of HIGH and LOW side is simply the system pressure differential created by the compressor discharge (pressure), suction (inlet) ports and the relative inlet and outlet ports of the expansion valve. This differential is critical to system fault diagnosis and efficiency checks.

System Protection

The trinary pressure switch, located in the liquid line, cuts electrical power to the compressor clutch if the system pressure is outside of the range of 2 Bar (1st Function) to 27 Bar (2nd Function). The third function is to switch on the cooling fans when pressure exceeds 20 bar.

General System Procedures

Leak Test

Faults associated with low refrigerant charge weight and low pressure may be caused by leakage. Leaks traced to mechanical connections may be caused by torque relaxation or joint face contamination. Evidence of oil around such areas is an indicator of leakage. When checking for non visible leaks use only a dedicated Refrigerant E134A electronic analyser and apply the probe all round the joint connection. Should a leak be traced to a joint, check that the fixing is secured to the correct tightening torque before any other action is taken.

Do not forget to check the compressor shaft seal and evaporator.

Note: Never use a dedicated CFC 12 or naked flame type analyser.

Charge Recovery (System Depressurisation)

The process of refrigerant recovery depends on the basic characteristics of your chosen recovery-recycle-recharge equipment, therefore, follow the manufacturers instructions carefully. Remember that compressor oil may be drawn out of the system by this process, take note of the quantity recovered so that it may be replaced.

CAUTION: Observe all relevant safety requirements.

- **Do not vent refrigerant directly to atmosphere and always use approved recovery-recycle-recharge equipment.**
- **Wear suitable eye and skin protection.**
- **Do not mix the refrigerant with CFC 12.**
- **Take note of the amount of recovered refrigerant, it indicates the state of the system and thus the magnitude of any problem.**

Evacuating the System

This process, the removal of unwanted air and moisture, is critical to the correct operation of the air conditioning system. The procedure depends on the characteristics of the recovery-recycle-recharge equipment and must be carried out exactly in accordance with the manufacturer's instructions.

Moisture can be highly destructive and may cause internal blockages due to freezing, but more importantly, water suspended in the PAG oil will damage the compressor. Once the system has been opened for repairs, or the refrigerant charge recovered, all traces of moisture *must* be removed before recharging with new or recycled refrigerant.

Adding Compressor Lubricating Oil

Oil can be added by three methods, two of which are direct into the system

- via the recovery-recycle-recharge station
- by proprietary oil injector.

Equipment manufacturer's instructions must be adhered to when using direct oil introduction.

The third method may be required because of rectification work to the existing compressor, or the need to fit a new compressor. From an existing compressor, drain the oil into a measuring cylinder and record the amount. Flush the unit out with fresh PAG oil and drain thoroughly. Refill the compressor with the same amount of PAG oil that was drained out originally and plug all orifices immediately ready for refitting to the vehicle. The transit lubricating oil must be drained and discarded from a new compressor before it may be fitted. An adjustment should be made to the system oil level by taking into account:

- the quantity found in the original compressor
- the quantity deposited in the recovery equipment oil separator from the charge recovery operation.

Typically, 80 ml can be drained from the original compressor and 30 ml found in the oil separator; the sum of these volumes ($80 + 30 = 110$ ml) is the amount of fresh PAG oil that must be put into the new compressor prior to fitting.

Note: The discrepancy between this figure and the nominal capacity of 135 ml is caused by normally not recoverable oil being trapped in components such as the receiver-drier or evaporator.

The above statements are only true if there is no evidence of a leak. Where a leak has been detected and rectified, the compressor must be refilled with the specified quantity.

Caution: Always decant fresh oil from a sealed container and do not leave oil exposed to the atmosphere. PAG oil is very hygroscopic (absorbs water) and rapidly attracts atmospheric moisture.

PAG oil must NEVER be mixed with mineral based oils.

Do not reuse oil following a recovery cycle, dispose of it safely.

Depending on the state of the air conditioning system immediately prior to charge recovery and the rate of recovery, an amount of oil is drawn out with the refrigerant. The quantity is approximately 30 to 40 ml; this may vary, and the figure is given only for guidance. It is most important that the oil separator vessel in the recovery equipment is clean and empty at the start of the process so that the amount drawn out may be accurately measured.

Adding Refrigerant

In order that the air conditioning system may operate efficiently it must contain a full refrigerant charge. The indications of some system defects, and the results of certain tests, shows that a low charge is the most probable cause of the fault. In such cases the charge should be recovered from the system, the weight noted, and the correct amount installed.

Note: Never attempt to guess the amount of refrigerant in a system. Always recover and recharge with the correct charge weight, this is the only accurate method.

Caution: If oil is drawn out during the recovery process, the correct amount can be added directly from your recovery-recycle-recharge station (if so equipped) prior to the charging process. It must be stressed that the need to protect compressor oil from moisture is vital, observe the procedures in Handling Lubricating Oil.

Warning: Liquid refrigerant boils at -29°C (-20°F) at atmospheric pressure. Serious injury, even blindness, can occur if the refrigerant comes into contact with the eyes.

Goggles and gloves must be worn while working with refrigerant.

First Aid

If refrigerant should contact the eyes or skin, bathe the eyes or affected area with cold water for several minutes. Do not rub. As soon as possible thereafter, obtain treatment from a doctor or eye specialist.

Functional Check

This functional check procedure is provided as a simple system validation and is structured to augment the Portable Diagnostic Unit (PDU).

Stage 1 (Cold engine only, if not proceed to Stage 2)

Procedure	Normal System Reaction
1. Ignition ON Select MIN temperature, MAN, speed 3, Mid face. (Engine Stationary)	Fans Start
2. Select MAX temperature	Fans continue to run
3. Ignition OFF Select MAX temperature and defrost Ignition ON	Fans start at maximum speed
4. Select fan speed 1	Fan speed adjusts accordingly - system OK

Stage 2

Procedure	Normal System Reaction
1. Start up engine and warm up Select fan speed 1, MAN, MAX TEMPERATURE and mid face	
2. Open all vents	Fans start after 3 seconds
2. Select fan speed 2	Fan speed increases then stabilises
3. Select fan speed 3	Fan speed increases then stabilises
4. Select defrost	Fan speed steady at high All air at screen and dash end
5. Re-select fan speed 1 Select AUX ignition key position	
6. Slowly select MIN temperature	Solenoids switch <ol style="list-style-type: none"> 1. centre vent 2. water valve 3. Re-circulation
7. Re-select MID temperature	
8. Select DEM	Solenoid clicks Air at screen
9. Select manual re-circulation	Solenoid click
10. Check flap for position	
11. Run Engine to normal temperature	
12. Select: MAN, 3/4 MAX heat and fan speed 2.	Air from door vents cool, air temp from foot outlet slightly warm
13. Select MAX temperature and air differential to hot face	All vent outlets max temp except screen vent
14. Select temperature approx. 1/4 MAX heat and mid face level	Cool air from centre vents
15. Select MIN temperature	Blower flaps at re-circulation position All outlets blowing cold air except screen vent

Procedure	Normal System Reaction
16. Select ECO	Blower flaps revert to fresh air position
17. Select AC	Engine revs change then stabilise
18. Select fan speed 3	Small increase in fan speed
19. Select fan speed 2	Fan speed lower Centre vent and dash end cold footwell cool
20. Select MAX temperature allow in-car temperature to stabilise..... (Passenger side underscuttle panel must be in place)	Hot air from footwell, warm from dash end
21. Select MIN temperature and mid face level	System goes to full cooling automatically Cold air from all vent except from screen vent Centre vent open Blower at re-circulation
22. Select DEMIST and full heat	Demist vents open, centre vent closes and blower flaps revert to fresh air position
System check now complete	System good.

Note: A small amount of air will bleed from the ends of the demist-defrost vents in all cases, but there should be no leak along the length of the vents.

System Trouble Shooting

There are five basic symptoms associated with air conditioning fault diagnosis. It is very important to identify the area of concern before starting a rectification procedure. Spend time with your customer on problem identification, and use the following trouble shooting guide.

The following conditions are not in order of priority.

No Cooling

1. Is the electrical circuit to the compressor clutch functional?
2. Is the electrical circuit to the blower motor(s) functional?
3. Slack or broken compressor drive belt.
4. Compressor partially or completely seized.
5. Compressor shaft seal leak (see 9).
6. Compressor valve or piston damage¹ (may be indicated by small variation between HIGH & LOW side pressures relative to engine speed).
7. Broken refrigerant pipe (causing total loss of refrigerant).
8. Leak in system (causing total loss of refrigerant).
9. Blocked filter in the receiver drier.
10. Evaporator sensor disconnected?
11. Dual pressure switch faulty?

Note: Should a leak or low refrigerant be established as the cause, follow the procedures for Recovery-Recycle -Recharge, and observe all refrigerant and oil handling instructions.

Insufficient Cooling

1. Blower motor(s) sluggish.
2. Restricted blower inlet or outlet passage
3. Blocked or partially restricted condenser matrix or fins.
4. Blocked or partially restricted evaporator matrix.
5. Blocked or partially restricted filter in the receiver drier.
6. Blocked or partially restricted expansion valve.
7. Partially collapsed flexible pipe.
8. Expansion valve temperature sensor faulty (this sensor is integral with valve and is not serviceable).
9. Excessive moisture in the system.
10. Air in the system.
11. Low refrigerant charge.

12. Compressor clutch slipping.
13. Blower flaps or distribution vents closed or partially seized.
14. Water valve not closed.
15. Evaporator sensor detached from evaporator.

Intermittent Cooling

1. Is the electrical circuit to the compressor clutch consistent?
2. Is the electrical circuit to the blower motor(s) consistent?
3. Compressor clutch slipping.
4. Faulty air distribution flap potentiometer or motor.
5. Motorised in-car aspirator or evaporator temperature sensor faulty, causing temperature variations.
6. Blocked or partially restricted evaporator or condenser.

Noisy System

1. Loose or damaged compressor drive belt.
2. Loose or damaged compressor mountings.
3. Compressor oil level low, look for evidence of leakage.
4. Compressor damage caused by low oil level or internal debris.
5. Blower(s) motor(s) noisy.
6. Excessive refrigerant charge, witnessed by vibration and 'thumping' in the high pressure line (may be indicated by high HIGH & high LOW side pressures).
7. Low refrigerant charge causing 'hissing' at the expansion valve (may be indicated by low HIGH side pressure).
8. Excessive moisture in the system causing expansion valve noise.

Note: Electrical faults may be more rapidly traced using PDU.

Insufficient Heating

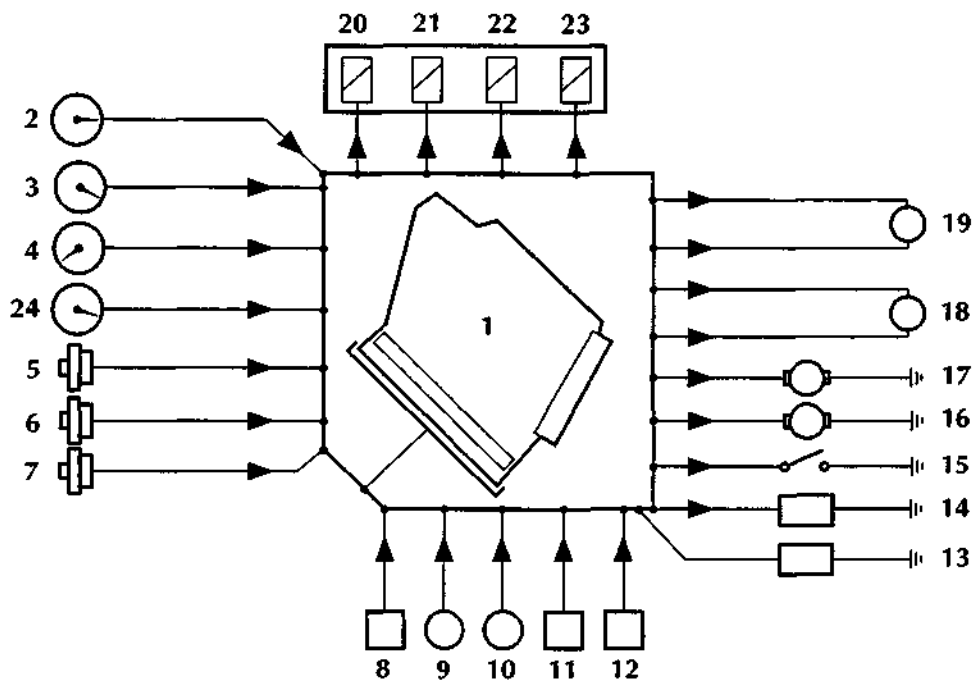
1. Water valve stuck in the closed position.
2. Motorised in-car aspirator seized.
3. Blend flaps stuck or seized.
4. Blocked or restricted blower inlet or outlet.
5. Low coolant level.
6. Blower fan speed low.
7. Coolant thermostat faulty or seized open.

Electronic Control Module (ECM)

The Electronic Control Module (ECM) is located on the right hand side of the heater unit.

The ECM has a digital microprocessor that allows the air conditioning system to maintain the selected in-car conditions. To do this it compares the signals from the in-car controls with those it receives from the system temperature sensors and feedback devices. On the basis of these comparisons it makes appropriate voltage changes to vary the blower motor speed, flap position and the state of other solenoids that effect the selected temperature demand.

The ECM is a non-serviceable component but may be interrogated for system testing. Care must be exercised when connecting the test equipment as the ECM may be irreparably damaged should any of the test pins be shorted or bent.



Figure

- | | |
|--|---|
| 1. Electronic control module (ECM) | 13. High speed relay |
| 2. Differential temperature control | 14. High speed relay |
| 3. Temperature control | 15. Compressor clutch |
| 4. Fan speed control | 16. Blower motor |
| 5. Ambient temperature sensor | 17. Blower motor |
| 6. Motorised in-car aspirator | 18. Lower flap servo motor |
| 7. Evaporator temperature sensor | 19. Upper flap servo motor |
| 8. Coolant temperature switch | 20. Defrost vacuum solenoid |
| 9. Lower flap feedback potentiometer | 21. Auto re-circulation vacuum solenoid |
| 10. Upper flap feed back potentiometer | 22. Centre vent vacuum solenoid |
| 11. Left hand blower motor feedback | 23. Water valve vacuum solenoid |
| 12. Right hand blower motor feedback | 24. Air conditioning function switch |

Description

The ECM (Fig 1) controls the air conditioning system so that selected temperatures are maintained. It cannot be repaired but input and output signals can be measured, using the PDU, for diagnostic purposes.

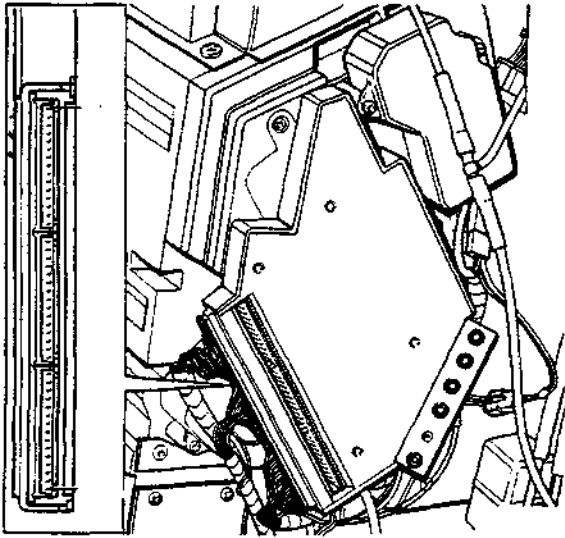


Figure 1.

The ECM is turned on when the ignition is turned on to auxiliary position 1. Its operating range is 13.5-14.2 volts.

The ECM power unit supplies +5 volts for the temperature sensors, feedback potentiometers and high speed relays.

An integrated circuit protects the ECM against reversed polarity and voltage surges.

Caution: Take care when connecting test equipment. If test pins are allowed to be shorted together, to ground or to positive supplies the ECM will be damaged.

Input-Output Voltage Signals

The following voltage signal levels are input and output from the ECM:

Digital input levels:

Low	0.16 to 1.1V
High	3.70 to 4.50V

Analogue input levels:

General	0 to 0.2885 V
Blend Flap Potentiometer	0 to 5.0V

Digital output levels

Relays	On	8.0V
	Off	1.0 to 5.0V
Vacuum manifold	Pull-in	5.6V (typical)
	Drop-out	3.5V (typical)

Analogue output levels

Blend Flap Servo Motors	0.5 to 6.5V
Blower Motors	0.5 to 2.5V

In Car Controls

Temperature Demand Switch

In-car temperatures are selected by the temperature demand switch (Fig. 1).

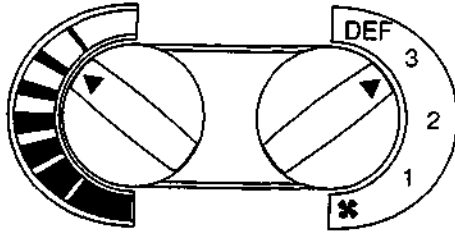


Figure 1.

The switch is coupled to a 590 ohm potentiometer (Fig. 2) supplied with +5 volts from pin 43 of the ECM. The output voltage is from zero to 2.885 volts which represents a range of temperatures from 16 to 38°C. Rotation of the switch is restricted mechanically to 180° of travel.

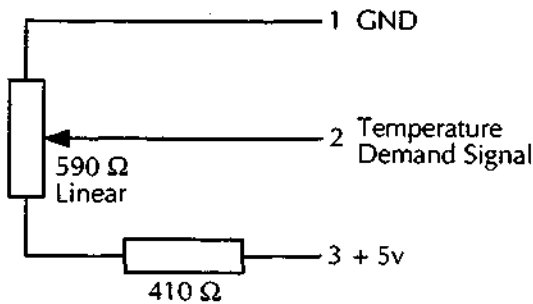


Figure 2.

Face Level Differential Controller

The face level differential control alters the temperature of the air distributed through the face level vents. The switch is coupled to a 10 K ohm potentiometer supplied with +5 volts from pin 43 of the control module (Fig. 3). Temperature, from the face vents, is decreased by moving the switch anti-clockwise and increased by moving it clockwise.

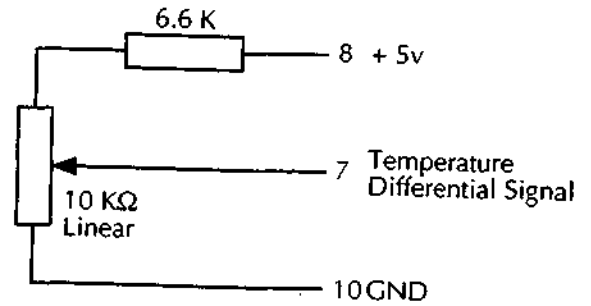


Figure 3.

Air Conditioning Function Switch

The air conditioning function switch (Fig. 4) has five positions: Economy (ECO), Air conditioning (AC), Manual (MAN), Re-circulation and Demist (DEM). These settings have the following functions:

ECO (Economy) In this setting the air conditioning compressor is switched off. No cooling is available but incoming air may be heated to the selected temperature. This mode puts a minimum load on the engine. Pin 23 at the ECM is earthed through the switch to select economy mode.

AC This setting allows the heating and cooling functions to be performed automatically, the required in-car temperature is maintained and the air is dehumidified. Pin 26 at the ECM is earthed through the switch to select this mode.

MAN (Manual) In the Manual mode the fan speed and temperature control can be set at any level and heating or cooling will be performed despite the internal temperature of the car. Pins 26 and 19 at the ECM are earthed through the switch to select this mode

(Re-circulation) With this setting selected the external air inlets are closed and conditions are maintained by circulating the air within the car. Heating and cooling functions are controlled automatically to give the required in-car temperature. Pins 9 and 26 at the ECM are earthed through the switch to select the manual Re-circulation.

DEM (Demist) Air is directed directly onto the screen in this mode. Air speed and temperature depend on the selected fan screen and in-car temperature. Heating and cooling functions are still controlled automatically to give the required in-car temperature. Pin 8 and 26 at the ECM are earthed through the switch to give the required in-car temperature.

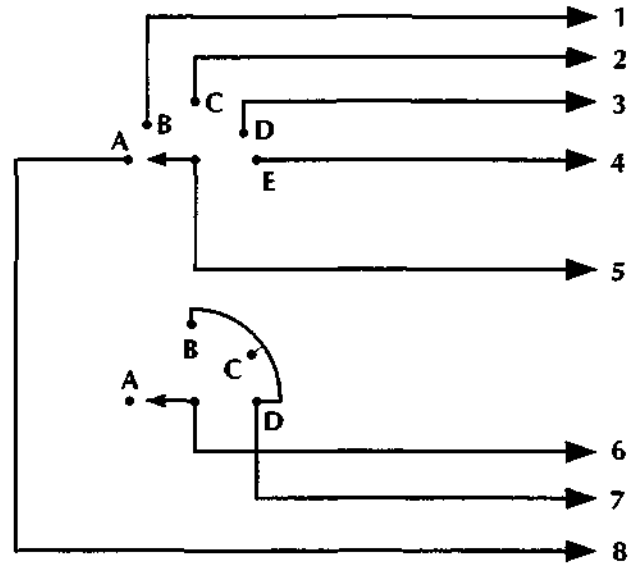


Figure 4.

Key to Fig. 4

- 1. AC signal Pin 26 ECM
- 2. MAN signal Pin 19 ECM
- 3. REC signal Pin 9 ECM
- 4. DEM signal Pin 8 ECM
- 5. Earth-ground Pin 1 ECM
- 6. Earth-ground Pin 1 ECM
- 7. AC signal Pin 26 ECM
- 8. ECO signal Pin 23 ECM
- A ECO
- B AC
- C MAN
- D Re-circulation
- E DEM

Fan Speed Control Switch (Mode Switch)

☘ On Mode

The system is not operational, a residual signal to the ECM ensures that the blower flaps are closed to prevent air entering the system.

1. Low Blower Mode

The fan speed is low and the air conditioning function switch is fully operational. Pin 13 on the ECM is earthed through the switch and a 12V signal is returned to Pin 44.

2. Medium Blower Mode

The fan runs at medium speed and the function switch is fully operational. Pin 14 of the ECM is earthed through the switch and a 12V signal is returned to Pin 44.

3. High Blower Mode

The fan speed is high and the function switch is fully operational. Pin 15 at the ECM is earthed through the switch and a 12V signal is returned to Pin 44.

DEF Defrost Blower Mode

The fan speed is high, the function switch and temperature switch are not operational, front screen vents are fully open and lower flaps are fully closed. Pin 27 at the ECM is earthed through the switch and a 12V signal is returned to Pin 44.

Temperature Sensors

The system has three temperature sensors:

- the ambient sensor (Fig. 5)

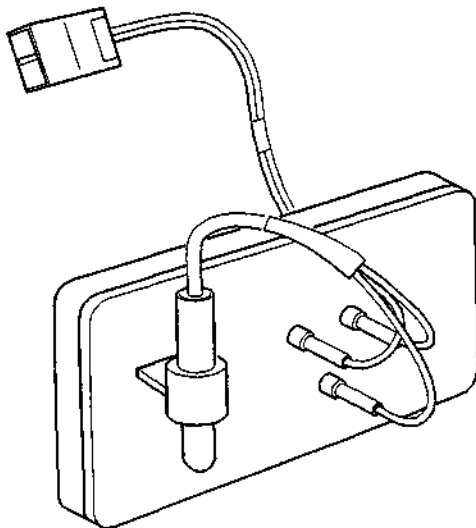


Figure 5.

- the evaporator sensor (Fig. 6)

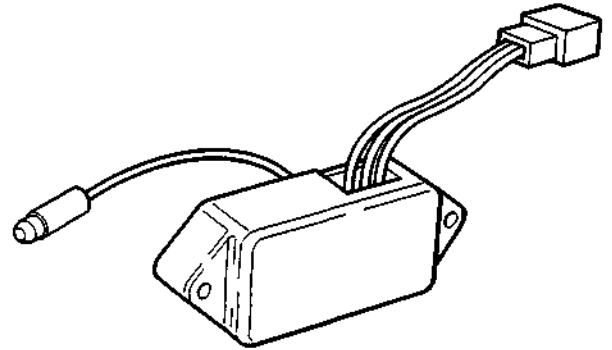


Figure 6.

- and the in-car aspirated sensor.

Each sensor contains a semiconductor whose output or sensing voltage varies with temperature changes. All three are supplied via pin 43 of the ECM. The sensing voltages are fed back into the module via the following pins (Fig. 7):

- ambient temperature sensor - pin 34
- in-car aspirated sensor - pin 4
- evaporator temperature sensor - pin 5

At 0°C the sensing voltage should be 2.732 volts. This voltage rises or falls by 0.01 volts for every 1°C change in temperature; for instance, if the temperature rises 5°C above zero, the voltage rises by 0.05 volts to 2.782 volts. Sensors have built in potentiometers which are preset at the factory and must not be adjusted.

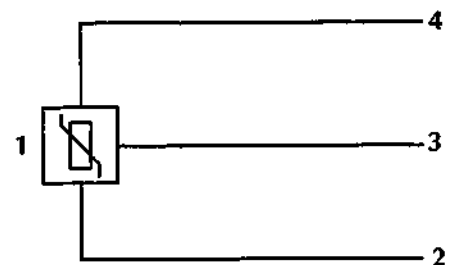


Figure 7.

Key to Fig. 7

1. Sensor
2. Pin 43 control module
3. Sensing voltages:
Pin 4 In-car aspirated temp sensor
Pin 5 Evap temp sensor
Pin 34 Ambient temp sensor
4. Earth-ground

Evaporator Sensor

The evaporator sensor allows the ECM to monitor the temperature of the refrigerant in the evaporator core continuously. When the temperature falls below 0°C the ECM de-energises the compressor's electromagnetic clutch and prevents refrigerant from flowing through the system. The clutch is re-engaged when the temperature rises.

Motorised In-Car Aspirated Sensor

The motorised aspirator (Fig. 8), which is fitted to the passenger side facia underscuttle panel, incorporates a motor driven fan (Fig. 8-1) that draws air continuously over the in car temperature sensor (Fig. 8-2).

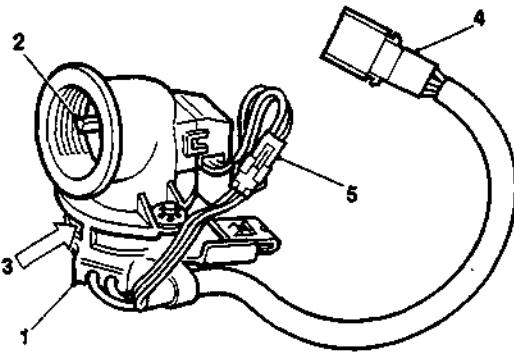


Figure 8.

Key to Fig. 8

- 1. Motor
- 2. Sensor
- 3. Fan
- 4. Connector SCA007
- 5. Connector SAC030

The motor (Fig. 8-1) is supplied, independently of the air conditioning system, from the ignition switch (position 2). Its operating voltage range is 13.5 to 14.2 volts. Maximum current is 120 mA. The sensor (Fig. 8-2) has a temperature operating range of -30°C to +85°C. It is fed with 5 volts from the ECM (pin 43), while the sensing voltage is supplied to pin 4 of the ECM. At 0°C the sensing voltage is 2.732V ± 0.002V. The rate of change of sensing voltage is 0.01V ± 0.002V per 1°C.

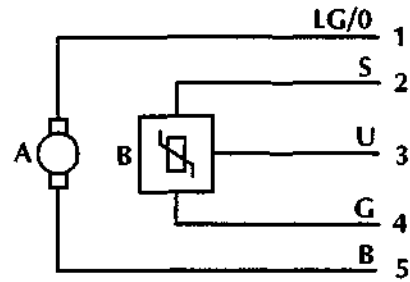


Figure 9.

Key to Fig. 9

- 1. Ignition switched supply to motor
- 2. +5V supply to sensor from pin 43 of ECM
- 3. Sensor voltage output to pin 10 of ECM
- 4. Sensor earth-ground to pin 4 of ECM
- 5. Motor earth-ground
- A. Motor
- B. Sensor

Ambient Temperature Sensor

An ambient temperature sensor (Fig. 10-1) is fitted in the plenum air intake to provide the ECM with information on the temperature of the air entering the air conditioning unit and so offset the in-car temperature at extremes of ambient. The voltage signal output from the sensor is proportional to the temperature of the surrounding air. The sensor temperature range is -30°C to 85°C. At 0°C the output of the sensor is 2.732V ± 0.005V. The rate of change is + 0.01V ± 0.002V per 1°C.

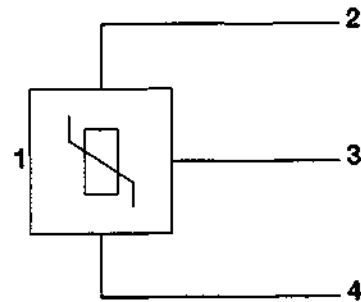


Figure 10.

Key to Fig. 10

- 1. Ambient temperature sensor
- 2. +5 volts from ECM Pin 43
- 3. Sensing signal to ECM Pin 34
- 4. Earth-ground

Water Temperature Switch

The water temperature switch (Fig. 1) is fitted to the lower side of the heater matrix inlet pipe.

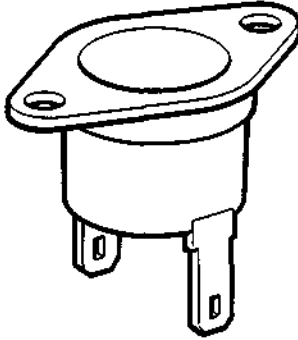


Figure 1.

It is connected to pin 21 of the ECM. The switch contacts are open to prevent the blower motors operating until the temperature of the water in the heater matrix reaches 30°C. The water temperature switch is overridden when cold air is demanded, defrost mode is selected and fan speed 3 is selected.

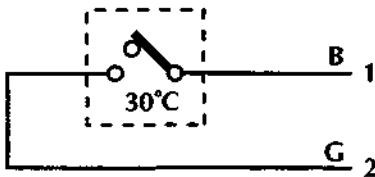


Figure 2.

Key to Fig. 2

1. Earth-ground
2. Output to Pin 21 ECM

Blower Motors

The air conditioning system has two blower motors (Fig. 1-7) that operate together to maintain the flow of air into the car at the desired level. The motors are supplied from an ignition switched supply through transistorised control circuits fitted in the motor outlets. The circuits steplessly vary the speed of the motors at 1 and 2 selections of the mode switch and operate the motors to high speed when 3 is selected. The electronic components are assembled on a heat sink and include a power transistor (Fig. 1-9) and feedback diode (Fig. 1-8). The switches are supplied and controlled by the ECM.

When the mode switch is set to 3, the high speed relay (Fig. 1-10) is energised from pin 16 of the ECM, opening a path to earth-ground, and allowing full battery voltage to be applied to the motor. At 1 and 2, the motor is supplied with a continuously variable voltage by the power transistor and the earth-ground return is made via the ECM. The feedback diode enables the ECM to sense the voltage at the negative terminal of the blower motor.

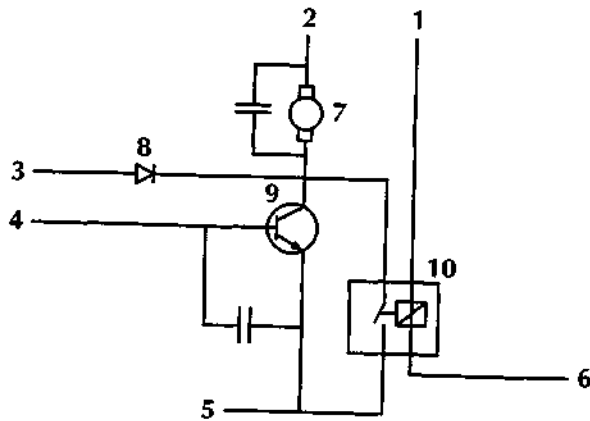


Figure 1.

Key to Fig. 1

1. Output signal from Pin 16 ECM
2. Power feed
3. Blower feedback
Left hand Pin 22, Right hand 33
4. Blower output Left Pin 31, Right 32
5. Control switch earth-ground
6. ECM earth-ground Pin 45
7. Blower motor
8. Feedback diode
9. Power transistor
10. High speed relay

Potentiometers

Lower Feedback Potentiometer

The lower feedback potentiometer determines the position of the lower blend flap in the air conditioning unit and feeds this information to the ECM. The ECM is thereby able to command the lower flap servo motor to move the flap to a new position and maintain the temperature of the air to the feet and rear outlets at the desired level.

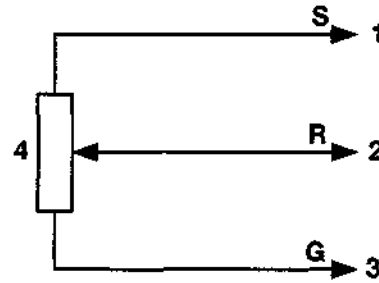


Figure 1.

1. +5 volts from ECM Pin 43
2. Feedback signal to ECM Pin 29
3. Earth-Ground

The potentiometer is supplied with +5V from pin 43 of the ECM and returns its feedback signal via pin 29. The feedback signal is 100mV (COLD AIR) to 1.2V (HOT AIR). The potentiometer also provides a single feedback signal of 2.9V when the blend flap is in DEFROST. In this position, the feet and rear outlets are closed and all air is directed to the screen.

Upper Feedback Potentiometer

The upper feedback potentiometer determines the position of the upper blend flap in the air conditioning unit and feeds this information to the ECM enabling it to command the upper flap servo motor to move the flap to a new position and maintain the desired temperature of the air at the dashboard, centre, screen and side demist vents.

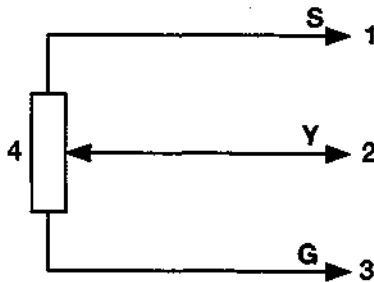


Figure 2.

1. +5 volts from ECM Pin 43
2. Feedback signal to ECM Pin 30
3. Earth-Ground

The potentiometer is supplied with +5V from pin 43 of the ECM and returns its feedback signal via pin 30. The feedback signal is 100mV (COLD AIR) to 1.9V (HOT AIR).

Servo Motors

Lower Servo Motor

The lower blend flap assembly has two inlets and a single outlet which are wholly or partially blocked by the flap to control the temperature of air entering the lower half of the vehicle.

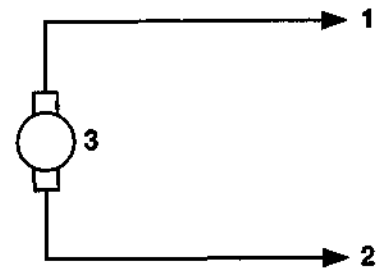


Figure 1.

1. Energising voltage Lower Servo ECM Pin 37 (Upper ECM 40)
2. Energising voltage Lower Servo ECM Pin 41 (Upper ECM 42)

A servo motor (Fig. 1) drives the lower blend flap to the desired position via a 1500:1 reduction gear box. The motor is bidirectional and energised from pins 37 and 41 of the ECM. The energising voltages have the following values: LOW \pm 0.0V to 2.0V; HIGH \pm 7.0V to 9.5V.

Upper Servo Motor

The upper servo motor (Fig. 1) drives the upper blend flap to the desired position through a 1500:1 reduction gearbox. Like the lower servo motor it is bi-directional and energised by the ECM (pins 40 and 42). The energising voltages are:

- LOW + 0.0V to 2.0V
- HIGH + 7.0V to 9.5V.

Vacuum System

The flaps in the cabin air distribution vents and the water valve in the pipeline from the engine coolant system to the heater matrix are all operated by vacuum actuators. The vacuum for these is supplied by four solenoids mounted in pairs behind the front footwell outlets. Each solenoid and its associated pipe work is identified by a colour:

- Defrost Green
- Auto Re-circulation Blue
- Water valve Red
- Centre vent Black.

The vacuum supply pipes to the re-circulation and centre vent actuators are fitted with restrictors in order to slow down the operation of the flaps and avoid hunting. The re-circulation flaps can take up to 30 seconds to move to a new position.

Vacuum is piped to the solenoids from the engine manifold through a reservoir. The solenoids are energised by signals from the ECM in response to demand ,sensing and feedback signals.

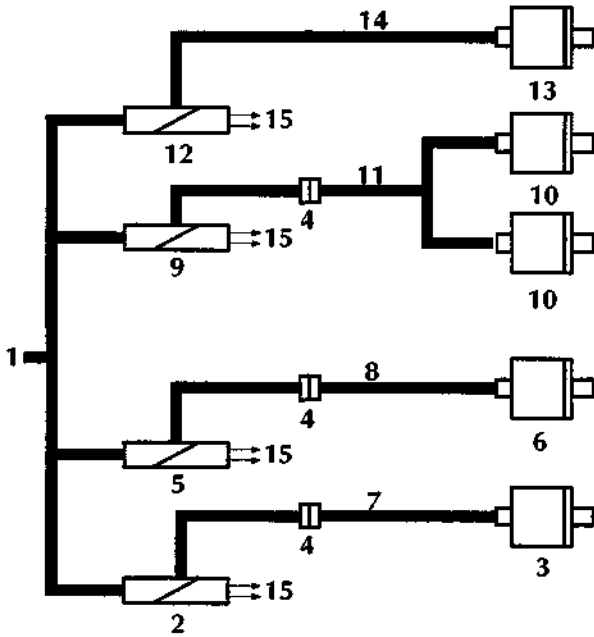


Figure 1.

Key to Fig. 1

1. Vacuum reservoir
2. Defrost solenoid
3. Defrost-demist actuator
4. Restrictors
5. Centre vent solenoid
6. Centre vent actuator
7. Defrost vacuum pipe
8. Centre vent vacuum pipe
9. Recirc. solenoid
10. Recirc actuator
11. Recirc. vacuum pipe
12. Water valve solenoid
13. Water valve actuator
14. Water valve vacuum pipe

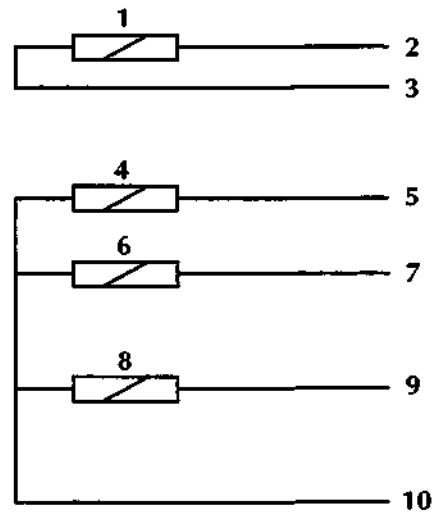


Figure 2.

Key to Fig. 2

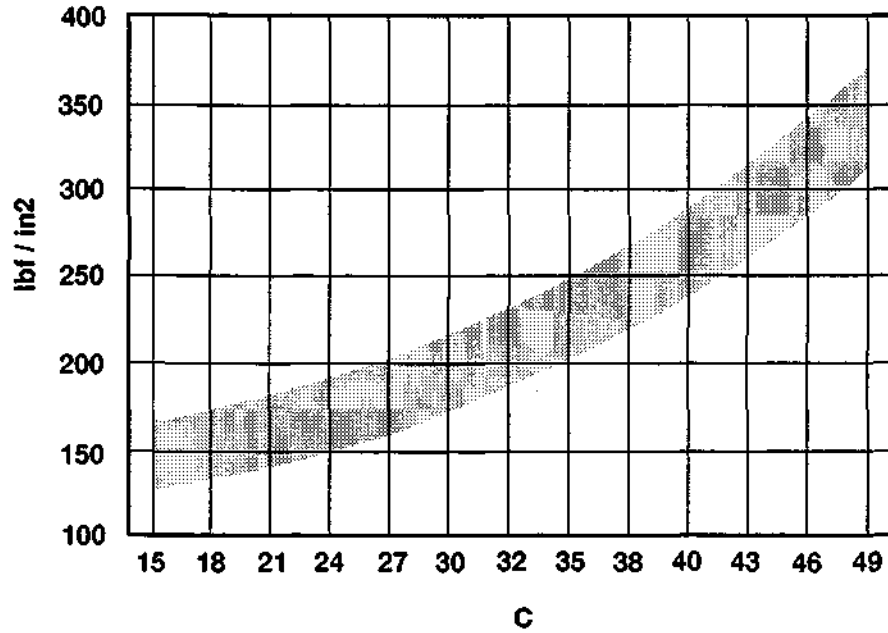
1. Defrost (Green) solenoid
2. +12V Defrost input from ECM pin 12
3. Defrost output to ECM Pin 11
4. Recirc (Blue) solenoid
5. +12V Recirc. input from ECM Pin 3
6. Water valve (Red) solenoid
7. +12V Water valve input from ECM Pin 17
8. Centre vent (Black) solenoid.
9. +12V Centre vent input from ECM Pin 18
10. ECM earth-ground

Pressure-Temperature Graphs

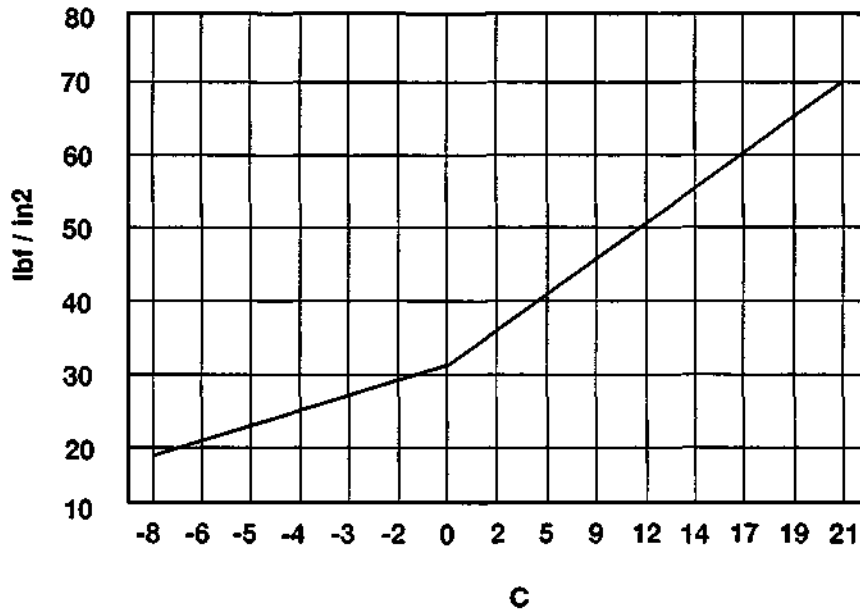
To obtain Bar multiply the lbf/in² by 0.068

To obtain kgf/cm² multiply lbf/in² by 0.07

High Side (lbf/in²) - Ambient (°C)



Low Side (lbf/in²) - Ambient (°C)



System Fault Diagnosis

Probable causes of faults can be found by comparing actual system pressures, registered on the manifold gauge set or recovery-recharge-recycle station, and the pressure to temperature relationship graphs found on the previous page. The chart below shows the interpretation that may be made by this difference. The 'Normal' condition is that which is relevant to the prevailing ambient and evaporator temperatures.

Note: If erratic or unusual gauge movements are experienced, check the equipment against a known manifold gauge set.

Low Side Gauge	High Side Gauge	Symptom	Diagnosis
Normal	Normal	Discharge air initially cool then warms up	Moisture in system
Normal to low	Normal	As above	As above
Low	Low	Discharge air slightly cool	HFC 134A charge low
Low	Low	Discharge air warm	HFC 134A charge very low
Low	Low	Discharge air slightly cool or frost build up at expansion valve	Expansion valve stuck closed
Low	Normal to high	Discharge air slightly cool	Restriction in High side of system
High	Low	Compressor noisy	Defective reed valve
High	High	Discharge air warm and high side pipes hot	HFC 134A charge high or condenser malfunction
High	High	Discharge air warm Sweating or frost at evaporator	Expansion valve stuck open

Fault Finding

Caution: The microprocessor is extremely sensitive and should only be tested using a digital multimeter with no less than a 3.5 digit display and a resistance of no less than 2 M ohms. The use of any other form of multimeter will damage the microprocessor irreparably.

Note: Always allow time for the servo motors and blower motors to come to a rest before starting a check.

The car should be in a workshop and the ambient temperature should be stable e.g. 24°C (75°F) for at least 30 minutes before commencing the automatic check.

At 24°C the sensor voltage is 2.972 V ± 2 mV. The rate of change is 10mV per 1°C.

Unless stated otherwise, all checks are carried out at the ECM test plugs

Mode Switch: Off Ignition Switch: Aux 2

Signal	Pin No.	Voltage
Battery supply	1	11 to 14V
Recirc input	9	0 to 2V
Earth-ground	2	0 to 40mV
Earth-ground	6	0 to 40mV
Earth-ground	10	0 to 40mV
Earth-ground	38	0 to 40mV
Earth-ground	45	0 to 40mV
From mode switch	44	0 to 12V
To mode switch	12	10 to 13.3V

Mode Switch: Low - Function Switch: Manual

Low input	13	150 to 350mV
Clutch output- Evap sensor below 2.72V	20	0.6V
Clutch output- Evap sensor above 2.72V	20	11.4V
Medium input	14	3 to 5V
High input	15	3 to 5V
Defrost	27	3 to 5V
From ON-OFF Switch.	44	10.3 to 13.3V
Output	43	4.73 to 5.2V
Recirc. output	3	0 to 200mV
HS Relays	16	0 to 200mV
Water valve solenoid	17	0 to 200mV
Centre vent solenoid	18	0 to 200 mV

Mode Switch: Medium - Function Switch: Manual

Low input	13	3 to 5V
Medium input	14	150 to 350mV
High input	15	3 to 5V
Defrost	27	3 to 5V

Mode Switch: High Servo Motors Stationary - Function Switch: Manual

Low input	13	3 to 5V
Medium input	14	3 to 5V
High input	15	150 to 350V
Defrost input	27	3 to 5V

Mode Switch: Defrost - Function Switch: Manual

Low input	13	3 to 5V
Medium input	14	3 to 5V
High input	15	3 to 5V
Defrost input	27	150 to 350mV

Mode Switch: Low, Medium or High - Function Switch: Manual

Air Differential - cold face	28	2.665 to 3.105V
Air Differential - hot face	28	0 to 200mV

Mode Switch: Low, Medium or High - Function Switch: Manual

Temp. Maximum demand	35	2.665 to 3.105V
Temp. Minimum demand	35	0 to 200mV

Mode Switch: Low, Medium or High Temperature Demand Switch: Mid-Range - Function Switch: AC

Servo motor lower flap	37	0 to 2.0V
Servo motor lower flap	41	0 to 2.0V
Servo motor upper flap	40	0 to 2.0V
Servo motor upper flap	42	0 to 2.0V

Mode Switch: Low, Medium or High Temperature Demand Switch: Mid-Range - Function Switch: AC

Servo motor lower flap	37	7.0 to 9.5V
Servo motor lower flap	41	7.0 to 9.5V
Serve motor upper flap	40	7.0 to 9.5V
Servo motor upper flap	42	7.0 to 9.5V

Mode Switch: Low or Medium Temperature Demand Switch: Mid-Range - Function Switch: AC

Recirc. input	9	10 to 12V
Recirc. output	3	0 to 500mV
Reference voltage	7	2.875 to 2.895V
Defrost output	11	0 to 500mV
High speed relays	16	0 to 500mV
Lower feedback pot.	29	0.6 to 0.9V
Upper feedback pot.	30	1.15 to 1.45V
Water temp. switch engine cold	21	260 to 460mV
Water temp. switch engine hot	21	4.5 to 5.5V
Defrost output	11	0 to 500mV
Clutch output- evaporator above 2.745 V	20	10.3 to 13.3V
Right hand Blower feedback	33	10 to 13V
Left hand Blower feedback	22	10 to 13V
Right hand Blower control	32	0 to 0.5V
Left hand Blower control	31	0 to 0.5V
Water valve solenoid	17	0 to 500mV
Centre vent solenoid	18	0 to 500mV

Mode Switch: (Auto) Low Temperature Demand Switch: Minimum

Face Level to mid-range	28	1.43 to 1.45V
-------------------------	----	---------------

Servo Motors Stopped

Servo motor lower flap	37	0 to 40mV
Servo motor lower flap	41	0 to 40mV
Servo motor upper flap	40	0 to 40mV
Servo motor upper flap	42	0 to 40mV
Lower feedback pot.	29	0 to 0.2V
Upper feedback pot.	30	0 to 0.2V

Mode Switch: Low Temperature Demand Switch: Mid-Position - Function Switch: AC

Temperature demand	35	1.43 to 1.45V
--------------------	----	---------------

Servo Motors Stopped

Servo motor lower flap	37	0 to 40mV
Servo motor lower flap	41	0 to 40mV
Servo motor upper flap	40	0 to 40mV
Servo motor upper flap	42	0 to 40mV
Lower feedback pot.	29	0.57 to 0.87V
Upper feedback pot.	30	0.6 to 0.9V

Mode Switch: Low Temperature Demand Switch: Maximum - Function Switch: AC

Temp demand	35	2.665 to 3.105V
Lower flap feedback pot	29	0.979 to 1.279V
Upper flap feedback pot.	30	1.518 to 1.9V

Mode Switch: (Auto) Face Level: Cold Face

Differential temp.	28	2.665 to 3.105V
Lower flap feedback pot.	29	0.979 to 1.279V
Upper flap feedback pot.	30	1.340 to 1.640V

Blower Motor Test

Face Level: Hot Face Temperature Demand Switch: Minimum

Differential temp.	28	0 to 200mV
Temperature demand	35	0 to 200mV

Note: Allow the servo motors to come to rest before checking voltage levels. Typical figures are given in brackets.

Mode Switch	RH Control	LH Control	RH Feedback	LH Feedback
Position	Pin No. 32	Pin No. 31	Pin No. 33	Pin No. 22
Low	1 - 2V (1.77V)	1 - 2V (1.77V)	4 - 6V (5.8V)	4 - 6V (5.63V)
Med	2 - 3V (2.28V)	2 - 3V (2.27V)	3 - 5V (3.7V)	3 - 5V (3.4V)
High	1 - 2v (1.17V)	1 - 2V (1.19V)	1 - 2V (1.22V)	1 - 2V (1.27V)

Set Face Differential Pot. to Mid Point

Mode Switch	RH Control	LH Control	RH Feedback	LH Feedback
Position	Pin No. 32	Pin No. 31	Pin No. 33	Pin No. 22
Low	1 - 2V (1.24V)	1 - 2V (1.27V)	6.5 - 9V (8.7V)	6.5 - 9V (8.7V)
Medium	1 - 2V (1.4V)	1 - 2V (1.4V)	6.9 - 9V (7.5V)	6.5 - 9V (7.5V)
High	2 - 3V (2.2V)	2 - 3V (2.2V)	3 - 5V (4.1V)	3 - 5V (4.0V)

Set Face Differential Pot. to Cold Face

Mode Switch	RH Control	LH Control	RH Feedback	LH Feedback
Position	Pin No. 32	Pin No. 31	Pin No. 33	Pin No. 22
Low	1 - 2V(1.67V)	1 - 2V(1.63V)	6.5 - 9V(6.25)	6.5 - 9V(6. IV)
Medium	2 - 3V(2.17)	2 - 3V(2.1V)	3 - 5V(4.25V)	3 - 5V(4.2V)
High	2 - 3V(2.3V)	2 - 3V(2.2V)	3 - 5V (3.7V)	3 - 5V(3.5V)

Open Water Temperature Switch Needs

Set Temperature Demand Switch to Midpoint Pin No. 35 1.43 -145V

RH Servo control	Pin 32	0 - 0.5V
LH Servo control	Pin 31	0 - 0.5V

Short Water Temperature Switch Leads

Mode Switch: Low

Clutch output	Pin 20	9.3 - 12.3V
RH Servo control	Pin 32	1 - 2V
LH Servo control	Pin 31	1 - 2V
Set diff to hot face	Pin 28	0 - 200mV
Set temp demand to minimum	Pin 35	0 - 200mV
Recirc. output	Pin 3	9.3 - 12.3V
High speed relays	Pin 16	0 - 200mV
Water valve solenoid	Pin 17	9.3 - 12.3V
Centre vent solenoid	Pin 18	9.3 - 12.3V
Defrost output	Pin 27	0 - 500mV
MODE SWITCH: DEFROST	Pin 27	150 - 350mV
High speed relays	Pin 16	9.3-12.3V
Lower feedback pot.	Pin 29	2.709-3.100V
Upper feedback pot.	Pin 30	1.714 -2.014V
MODE SWITCH: OFF	Pin 44	0-IV
Recirc. output	Pin 3	9.3-12.3V

Refrigeration

Safety Precautions

The air conditioning system is designed to use only Refrigerant E134A (dichlorodifluoromethane). Extreme care must be taken NOT to use a methylchloride refrigerant. The chemical reaction between methylchloride and the aluminium parts of the compressor results in the formation of products which burn spontaneously on exposure to air, or decompose with violence in the presence of moisture. The suitable refrigerant is supplied under the following names.

E134A KLEA or equivalent

Warning: Take care when handling refrigerant. Serious damage will occur if it is allowed to come into contact with the eyes. Always wear with goggles and gloves when working with refrigerant.

First Aid

If refrigerant should come into contact with the eyes or skin, splash the eyes or affected area with cold water for several minutes. DO NOT RUB. As soon as possible thereafter, obtain treatment from a Doctor or an eye specialist.

Good Practice

1. Protective sealing plugs must be fitted to all disconnected pipes and units.
2. The protective sealing plugs must remain in position on all replacement components and pipes until immediately before assembly.
3. Any part arriving for assembly without sealing plugs in position must be returned to the supplier as defective.
4. It is essential that a second backing spanner is always used when tightening or loosening all joints.

This minimises distortion or strain on components or connecting hoses.
5. Components must not be lifted by connecting pipes, hoses or capillary tubes.
6. Care must be taken not to damage fins on the condenser or evaporator matrices. Any damage must be rectified by the use of fin combs.

7. Before assembly of tube and hose joints, use a small amount of clean new refrigerant oil on the sealing seat.
8. Refrigerant oil for any purpose must be kept very clean and capped at all times. This prevents the oil absorbing moisture.
9. Before assembly the condition of joints and flares must be examined. Dirt and even minor damage will cause leaks at the high pressure points encountered in the system.
10. Dirty end fitting can only be cleaned using a cloth wetted with alcohol.
11. After removing sealing plugs and immediately before assembly, visually check the bore of pipes and components. Where any dirt or moisture is discovered, the part must be rejected.
12. All components must be allowed to reach room temperature before sealing plugs are removed.

This prevents condensation should the component be cold initially.
13. Before finally tightening hose connections ensure that the hose lies in the correct position, is not kinked or twisted and will not be trapped by subsequent operations, e.g., refitting or closing bonnet.
14. Check that hoses are correctly fitted in clips or straps.
15. The compressor must be stored horizontally with the sump down. It must not be rotated before fitting and charging. Do not remove the shipping plate until immediately before assembly. Always use new "O" ring seals in those joints that incorporate them. "O" ring seals should be coated with compressor oil before fitting.
16. Components or hoses removed must be sealed immediately after removal.
17. After the system has been opened the receiver-drier must be renewed.
18. Before testing, run the engine until normal running temperature is reached. This ensures that sufficient vacuum is available for test. For cooling tests the engine must be running for the compressor clutch to operate.

Compressors

Compressor Clutch Control

The compressor pulley is driven continuously when the engine is running. An electromagnetic clutch allows the compressor to be engaged or disengaged. The clutch is energised by battery supply voltage when the clutch relay RF3 is closed by a signal from the ECM (pin 21) via the engine management system.

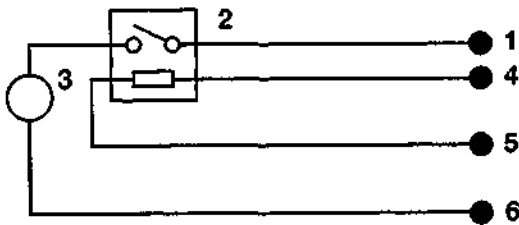


Figure 1

Key to Fig. 1

1. +ve battery supply
2. Clutch relay
3. Compressor clutch
4. Pin 20 ECM supply to clutch relay solenoid
5. Earth-Ground
6. Earth-Ground

Trinary Switch

High Side Low Pressure Switch

The high side low pressure switch (HSLP) is connected in the earth-ground return lead of the compressor clutch coil. The switch is a function of the trinary switch and monitors the pressure on the high side of the refrigeration system. If the pressure drops below 25 psi (+ 5 psi) the contacts open to de-energise the clutch coil and disengage the clutch. Low pressure occurs when there is a fault in the system, and the HSLP switch contacts remain open until the fault has been rectified.

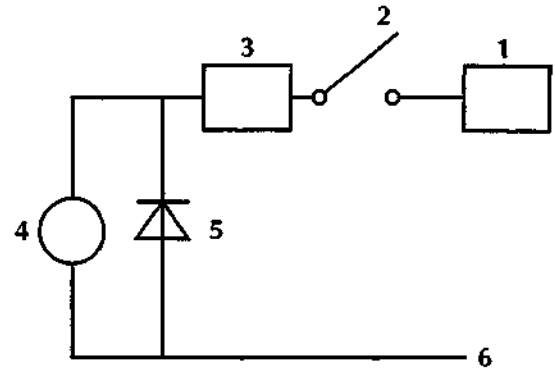


Figure 2

Key to Fig. 2

1. Clutch relay supply
2. Compressor clutch
3. HSLP switch
4. Protection diode
5. Earth-ground

Condenser

The condenser (Fig. 3) consists of a refrigerant coil mounted in a series of thin cooling fins to provide maximum heat transfer in the minimum amount of space. It is mounted directly behind the car radiator and receives the full flow of ram air induced by the forward motion of the car and the suction of the cooling fan. Refrigerant enters the inlet at the top of the condenser as a high pressure hot vapour. As the vapour passes down through the condenser coils cooled by ram air, a large quantity of heat is transferred to the outside air and the refrigerant changes to a high pressure warm liquid.

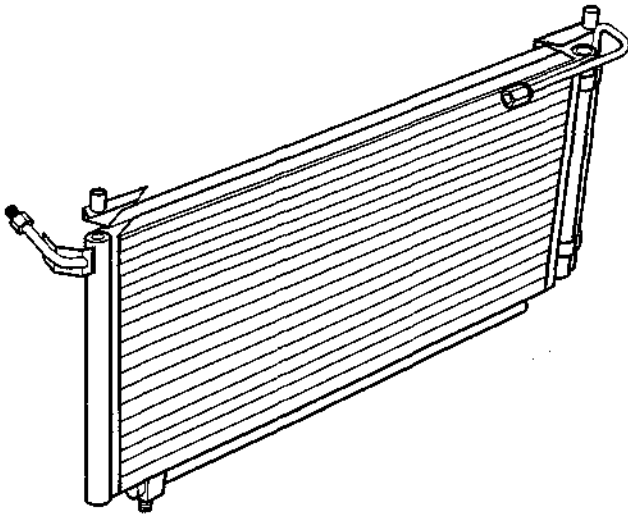


Figure 3.

Receiver-Drier

The receiver drier (Fig. 1) accepts high pressure warm refrigerant liquid from the condenser and delivers it via an expansion valve to the evaporator. It contains a quantity of molecular sieve desiccant to remove moisture from the refrigerant, and a filter to remove contaminants. It also provides a reservoir of refrigerant for the evaporator under varying operating conditions.

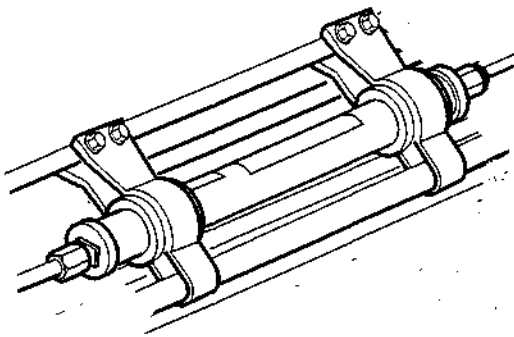


Figure 1.

Evaporator

The evaporator consists of a refrigerant coil mounted in a series of thin fins to provide a maximum amount of heat transfer in a minimum amount of space. It is housed in the air conditioning unit and all air entering the system passes across its coil.

The evaporator receives refrigerant from the thermostatic expansion valve as a low pressure cold atomised liquid. As this cold liquid passes through the evaporator coils, it absorbs heat from the surrounding air and changes into a low pressure warm vapour.

Expansion Valve

The expansion valve is the dividing point between the high and low pressure sides of the system. It automatically meters high pressure, warm liquid refrigerant via a metering orifice into the low pressure, cold side of the evaporator matrix. The valve senses outlet pipe temperature, inlet pipe pressure and regulates the flow of refrigerant into the evaporator to ensure that only vaporised refrigerant appears at the outlet.

Sanden Compressor SD7H15

The Sanden SD7H15 compressor is a 7 cylinder machine with a bore of 29.3 mm (1.15 in) and a stroke of 32.8 mm (1.29 inches).

The displacement per revolution is 155cc (9.5 cubic inches).

The magnetic clutch is engineered with the compressor as a complete assembly resulting in a relatively small unit of lightweight construction.

The compressor may be mounted up to 90° from its upright position.

The compressor incorporates a lubrication system which reduces the oil circulation ratio to a level of less than 2% at 1800 rpm.

An oil deflector and positive pressure differential lubrication system promotes oiling to the cylinder wall, piston rod assemblies, main bearings and shaft seal, and ensures that oil circulation to the refrigeration circuit is kept to a minimum. The compressor is charged with 135 cc (4.6 fluid ounces) of Sunico No 5GS oil at the factory. Only this oil or one of the equivalent oils detailed below should be used.

Key to Fig. 2.

1. Service port
2. Cylinder head
3. Hose connection
4. Anti-rotation gear
5. Oil filler plug
6. Planet plate
7. Clutch bearing
8. Electromagnetic clutch
9. Valve plate assembly
10. Cylinder and valve plate gasket
11. Cylinder block
12. Piston
13. Cam rotor
14. Needle thrust bearing
15. Front housing and 'O' ring
16. Shaft seal

Compressor Oils

- Sunico No 5GS
- Texaco Capella E
- Virginia Chemicals 500 Viscosity

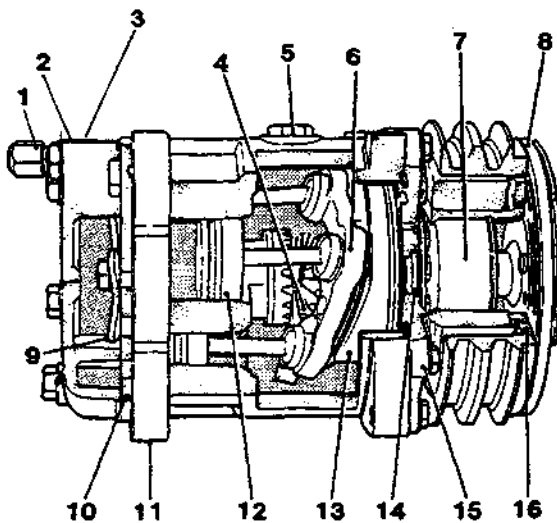


Figure 2.

Manifold Gauge Set

The manifold gauge set is a most important tool for fault diagnosis and system efficiency assessment. The relationship to each other of HIGH and LOW pressures and their correlation to AMBIENT and EVAPORATOR temperatures must be compared to determine system status. Because of the heavy reliance upon this piece of equipment for service diagnosis, ensure that the gauges are calibrated regularly and the equipment is treated with care.

Manifold.

The manifold is designed to control refrigerant flow. When connected into the system, pressure is registered on both gauges at all times. During system tests both the high and low side hand valves should be closed (rotate clockwise to seat the valves). The hand valves isolate the low and the high sides from the centre (service) hose.

Low Side Pressure Gauge.

This compound gauge is designed to register positive and negative pressure and may be calibrated as follows:

- Full Scale Deflection - 0 to 24 bar pressure in a clockwise direction
- 0 to 1 bar FSD negative pressure in a counter clockwise direction.

High Side Pressure Gauge.

This pressure gauge may be calibrated from 0 to 34 bar FSD in a clockwise direction. Depending on the manufacturer, this gauge may also be of the compound type.

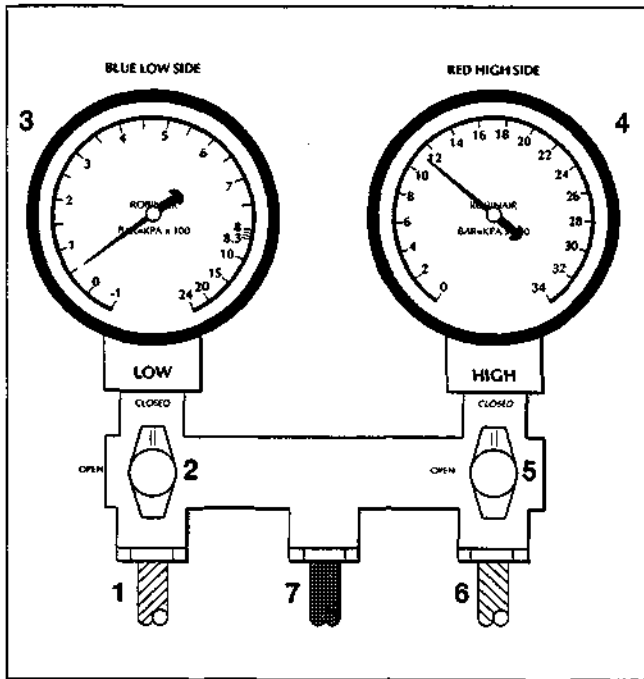


Figure 1

The gauge set (Fig. 1) consists of a manifold fitted with:

- 1 Low side service hose - BLUE.
- 2 Low Side hand valve - BLUE.
- 3 Low pressure compound gauge - BLUE.
- 4 High pressure gauge- RED.
- 5 High Side hand valve - RED.
- 6 High side service hose - RED.
- 7 System service hose - NEUTRAL COLOUR (commonly yellow).

System Checking with the Manifold Gauge Set

Connecting the Manifold Gauge Set

Caution: Only use hoses with connectors which are dedicated to HFC 134A charge ports.

Attachment of the hose quick release connectors to the high and low side system ports is straightforward, provided that the high and low valves are closed and the system is NOT operational.

Assessment of the system's operating system can be carried out by using the facilities of the Recovery-Recharging-Recycling station. Follow the manufacturer's instructions carefully and closely observe the safety procedures.

Warning: Under no circumstances should the connections be made with the system in operation or the valves open. Should the valves be open and a vacuum pump or refrigerant container attached, an explosion could occur as a result of high pressure refrigerant being forced back into the vacuum pump or container.

Stabilising the System

Accurate test gauge data can be attained only if the system temperatures and pressures are stabilised.

Ensure that equipment and its hoses cannot come into contact with moving parts or heat sources.

It is recommended that a free standing air mover is placed in front of the vehicle to provide mass air flow through the condenser-cooling system.

Checking Procedure

1. Start the engine and allow it to attain normal working temperature then set it at fast idle (typically 1200 to 1500 rpm).
2. Select full air conditioning performance.
3. With all temperatures and pressures stable or displaying symptoms of faults, begin relevant test procedures.

Connecting the Gauge Set.

A test hose connected to the fitting directly under the low side gauge is used to connect the low side of the test manifold into the low side of the system, and a similar connection is found on the high side. When connecting the gauge manifold set to the air conditioning system an access valve core removing tool is available for connecting the test hoses to the high and low sides of the system.

Using the valve removing tool it enables the valve core to be removed and held back inside the tool eliminating restrictions and, thereby, providing a full flow of refrigerant.

Warning: Do not open the high side hand valve while the air conditioning system is in operation because, high pressure refrigerant will be forced through the high side gauge and to the refrigerant container, if it is attached. This could cause the container to rupture or the fitting at the safety container valve to burst resulting in damage and personal injury.

1. With the engine switched off, remove the protective caps from the schraeder valves.
2. Fit the access valve removal tool to the schraeder valves. Ensure that both the manifold hand valves are in the closed position.
3. Connect the high pressure manifold gauge hose (to the high pressure side of the air conditioning side of the system (high side is always the line from the compressor to the condenser). Connect the low pressure or compound gauge hose to the low pressure side of the air conditioning system.
4. Using the access valve removal tool loosen and screw out the valve cores.

Purging the Test Hoses

1. With the manifold test set attached to the system.
2. Purge the high pressure test hose by cracking open the high pressure side hand valve on the manifold gauge set for 3 to 5 seconds. This allows the system refrigerant to purge the air from the test hose and discharge through the manifold centre test hose. Immediately close the high pressure side hand valve.
3. Purge the low pressure test hose in the same manner by cracking open the low pressure side hand valve manifold gauge set for 3 to 5 seconds, then close the hand valve.

Stabilising the System

The manifold gauge set is now attached to the system and the test hoses purged of air. With both hand valves closed, the system must be operated for a few minutes to stabilise all pressures and temperatures throughout the system in order to obtain accurate test gauge readings.

Proceed as follows:

1. Place all test hoses, gauge set and other equipment away from all engine moving parts. Also keep the hoses from touching the hot engine manifold.
2. Start the engine and adjust engine speed to fast idle
3. Turn on the air conditioning and set for maximum cooling with blower fans on high speed
4. Open the car doors and/or windows (to quickly eliminate car interior heat).
5. Operate the system under these conditions for 5 to 10 minutes to stabilise the system ready for testing.
6. Check the system for full refrigerant by noting the sight glass indications. Some refrigerant loss occurs over a period of time.

Note: The air conditioning system must contain a full refrigerant charge before an accurate system check can be made. An insufficient charge is indicated by a stream of bubbles or foam. If the refrigerant charge is low, the system must be fully discharged into a refrigerant recovery station and recharged with the correct weight of refrigerant 82.30.08. Do not top up a system with refrigerant.

Leak Test

A high proportion of all air conditioning work consists of locating and repairing leaks.

Many leaks are located at connections and are caused by vibration. They may only require the re-tightening of a connection or clamp.

Occasionally a hose rubs on a structural part of the vehicle and creates a leak, or a hose deteriorates which will require a replacement.

The specified maximum leakage rate at each fitting is 0.5 kg of R 134a in 40 years and a leak detector capable of operating to this accuracy must be provided. To check place the leak detector probe at the lowest point of each joint, pause for two seconds. Do not wave the probe about as refrigerant is heavier than air and flows to the lowest point. If a leak is greater than 0.5 kg in forty years is detected identify the leak point for rectification.

Check that the leaking fitting has been tightened to the correct torque. If the torque is low, rectify and repeat leak test. If the torque is satisfactory, depressurise the system, dismantle the leaking connection and check the quality of the fitting.

If the fitting is satisfactory, clean and reassemble after applying a thin film of refrigerant to the seat of a flare fitting, or a new oiled "O" ring to an "O" ring fitting.

Tighten to the correct torque.

Charge the system with 200 g of E134A and leak test the rectified system. If the system is satisfactory, depressurise, evacuate and recharge the system.

If the system is unsatisfactory, i.e. leakage greater than 0.5 kg in forty years, depressurise and replace the leaking assembly.

Pressure Temperature Relationship.

Note: Pressures shown are under exact conditions (see test conditions) and are not necessary true for every car checked. Ambient Temperature is given as the air surrounding the condenser and is taken 5 cm in front of the condenser.

Test Conditions.

Use a large fan to substitute for normal ram air through the condenser. Engine adjusted to fast idle speed.

All conditions equivalent to 30 m.p.h. or 48 km/h.

Ambient Evaporator Temp °C	High Pressure Gauge Reading lbf/in2	Low Pressure Gauge Reading lbf/in2	Temp °C
16	95-115	10	-16
18	105-125	12	-14
21	115-125	4	-12
24	130-150	16	-10
27	150-170	18	-8
29	165-185	20	-6
32	175-195	22	-5
35	185-205	24	-4
38	210-230	26	-3
41	230-250	28	-1
43	250-270	30	0
46	265-285	35	2
49	280-310	40	5
		45	9
		50	11
		55	14
		60	17
		65	19
		70	21

Normal operating ambient temperature range is: -24 to 43°C.

Normal operating evaporator temperature range is: -12 to 0°C.

Under normal running conditions system pressure should be, as follows:

Low side: 1.05 to 2.10 kgf/cm² 1.034 to 2.06 bar 15 to 30 lbf/in²

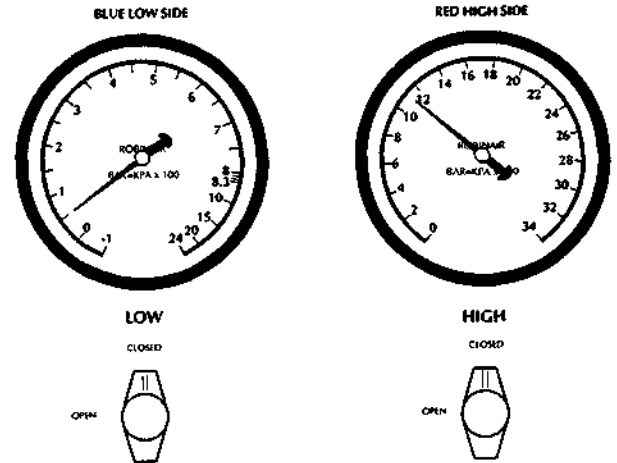
High side: 13.00 to 14.40 kgf/cm² 12.75 to 14.34 bar 185 to 205 lbf/in²

Manifold Gauge Set Check Procedures

Refrigerant Slightly Low.

Complaint.

Little or no cooling.



Condition.

1. The low side gauge reading is too low.
2. The high side gauge reading is too low.
3. A stream of bubbles evident in the sight glass.
4. The discharge air from the evaporator only slightly cool.

Diagnosis.

The system low on refrigerant due to slight leak.

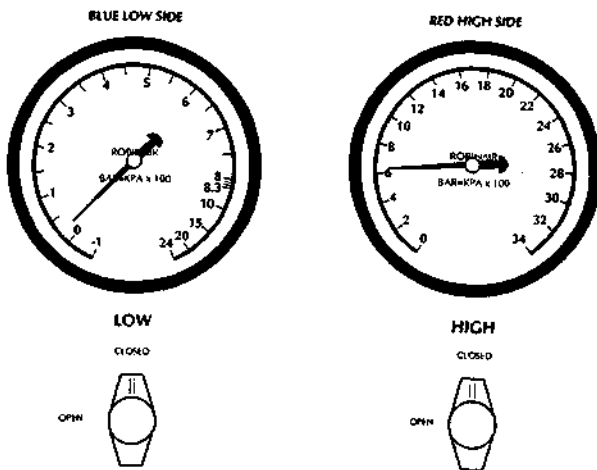
Correction.

1. Test the system for leaks.
2. Depressurise the system.
3. Repair the leaks, and if necessary renew hoses or units.
4. Check the compressor oil level. The system may have lost oil due to leakage.
5. Evacuate the system using a vacuum pump.
6. Recharge the system with new refrigerant.
7. Operate the system and check the performance.

Refrigerant Excessively Low.

Complaint.

Cooling is not adequate.



Condition.

1. The low side gauge is reading very low.
2. The high side gauge reading very low.
3. No bubbles or liquid evident in the sight glass.
4. The discharge air from the evaporator is warm.

Diagnosis.

System refrigerant excessively low. Serious leak indicated.

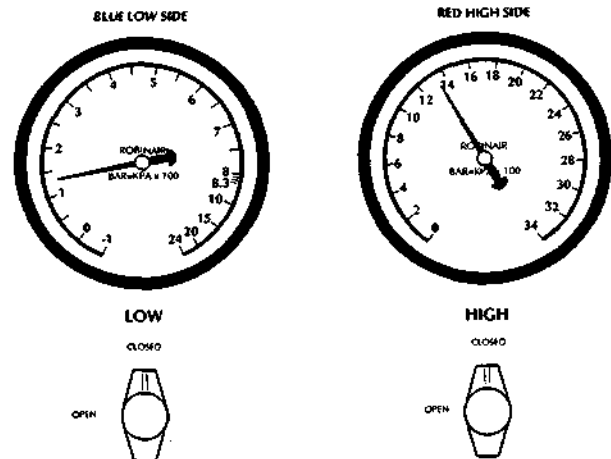
Correction.

1. Test the system for leaks.
Note: Partially recharge the system before testing the system for leaks to ensure that leak detection is obtained.
2. Depressurise the system.
3. Repair the leaks, and if necessary renew hoses or units.
4. Check the compressor oil level. The system may have lost oil due to leakage.
5. Evacuate the system using a vacuum pump.
6. Recharge the system with new refrigerant.
7. performance.

Air In The System.

Complaint.

Cooling is not adequate.



Condition.

1. The low side gauge reading is constant and does not drop. The pressure should drop until the compressor cycles (thermostat control)
2. The high side gauge reading is slightly high (or slightly lower especially if a large fan is used to substitute ram air).
3. The sight glass is free of bubbles or only shows an occasional bubble.
4. The discharge air from the evaporator is only slightly cool.

Diagnosis.

Non condensables present in the system. Air or moisture present instead of a full refrigerant charge.

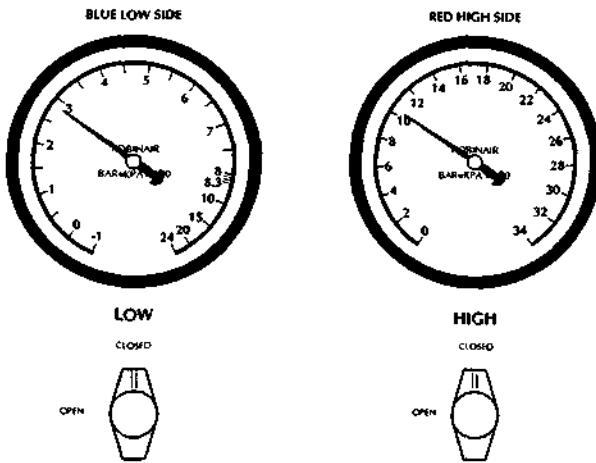
Correction.

1. Test the system for leaks. Test the compressor seal area very carefully.
2. Depressurise the system. Repair the leaks, and if necessary renew hoses or units.
3. Renew the drier bottle, probably water saturated .
5. Check the compressor oil level.
6. Evacuate the system using a vacuum pump.
7. Recharge the system with new refrigerant.
8. Operate the system and check the performance.

Compressor Malfunction

Complaint.

Cooling is not adequate.



Condition

1. The low side gauge reading is too high.
2. The high gauge reading is too low.
3. The sight glass is free of bubbles and the system is fully charged.
4. The discharge air from the evaporator is not sufficiently cool.

Diagnosis.

Internal leak in the compressor.

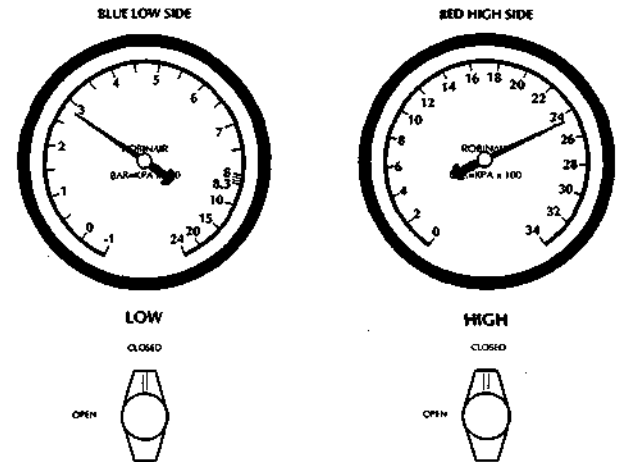
Correction.

1. Depressurise the system.
2. Renew the compressor and the drier bottle.
3. Evacuate the system using a vacuum pump.
4. Charge the system with new refrigerant.
5. Operate the system and check the performance.

Condenser Malfunction or System Overcharge

Complaint.

Little or no cooling. Overheating of the engine may also be noted.



Condition.

1. The low side gauge reading excessively high.
2. The high side gauge reading is also excessively high.
3. Bubbles may appear occasionally in the sight glass and the liquid line to the evaporator is very hot.
4. The discharge air from the evaporator is warm.

Diagnosis.

The condenser not operating correctly through lack of cooling caused by too high a high side pressure. The system may have either a normal or overcharge of refrigerant.

Correction.

1. Check the compressor drive belt for correct tension.
2. Check the condenser for clogged air passages preventing air flow through the condenser.
3. Inspect the condenser mounting for correct radiator clearance.
4. Check for correct fan operation.
5. Check the coolant pressure cap for correct type and operation.

After making the above checks operate the system and check the performance. If the Condition is not rectified.

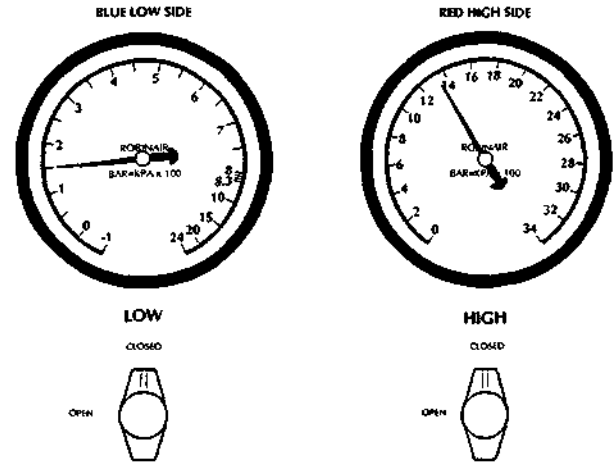
1. Inspect the system for overcharge of refrigerant and rectify as follows.
 - A. Discharge the system, until a stream of bubbles appear in the sight glass and both gauge readings drop to below normal.
 - B. Add new refrigerant until the bubbles disappear and the pressures are normal. Then add 0.25 to 0.5 lb. of additional refrigerant.
2. Operate the system and check the performance. If the gauge readings are still too high.
3. Depressurise the system.
3. Remove and inspect the condenser for oil clogging. Clean and flush the condenser to ensure the free passage refrigerant or renew the condenser.
4. Renew the receiver-drier.
5. Evacuate the system using a vacuum pump Recharge the system with new refrigerant. Operate the system and check the performance

Moisture in the System

Complaint.

Cooling not adequate during the hot part of the day.

Note: Cooling may be satisfactory during early morning / late evening but inadequate during the hot part of the day.



Condition.

1. The low side gauge reading normal but may drop into vacuum during testing.
2. The high side gauge reading normal but drops when the low side drops into vacuum. The sight glass may show tiny bubbles.
3. The discharge air from the evaporator is cold but becomes warm when the low side gauge drops into vacuum.

Diagnosis.

Excessive moisture in the system.

Desiccant agent saturated with moisture which is released during high temperatures. The moisture collects and freezes in the expansion valve which stops the refrigerant flow.

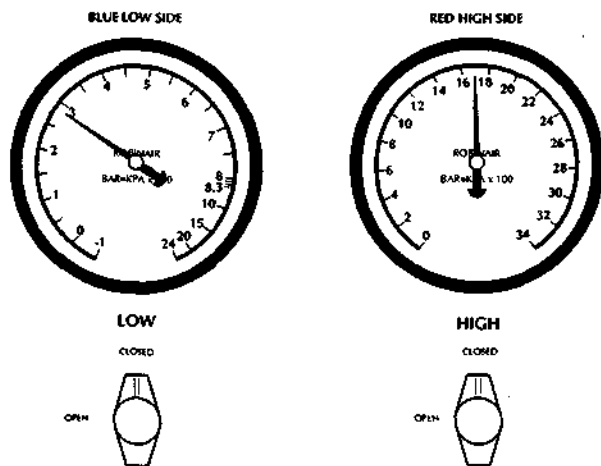
Correction.

1. Depressurise the system.
2. Renew the drier bottle.
3. Evacuate the system using a vacuum pump.
4. Recharge the system with new refrigerant.
5. Operate the system and check the performance.

A Large Amount of Air in the System.

Complaint.

Little or no cooling.



Condition.

The low side gauge reading is too high. The high side gauge reading is too high. An occasional bubble in the sight glass. The discharge air from the evaporator is not cool.

Diagnosis.

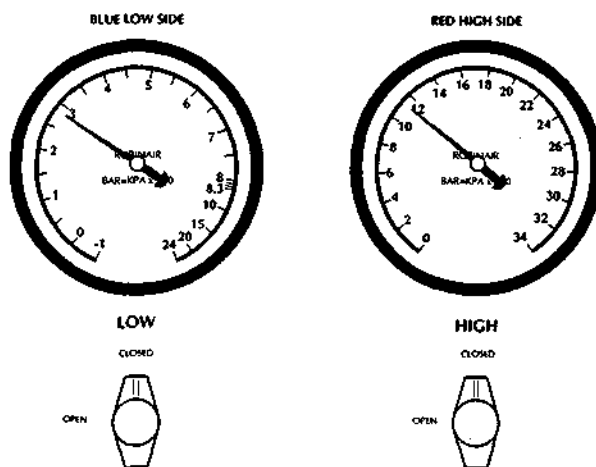
Air in the system. The refrigerant contaminated by non-condensables (air and/or moisture).

Correction.

1. Depressurise the system.
2. Renew the receiver-drier.
3. Evacuate the system using a vacuum pump.
4. Recharge the system with new refrigerant.
5. Operate the system and check the performance.

Expansion Valve Malfunction.

The valve stuck open.



Complaint.

Little or no cooling.

Condition.

The low side gauge reading is too high.

The high side gauge reading is normal or slightly low.

The discharge air from the evaporator is warm. The suction hose and the evaporator show signs of heavy sweating.

Diagnosis.

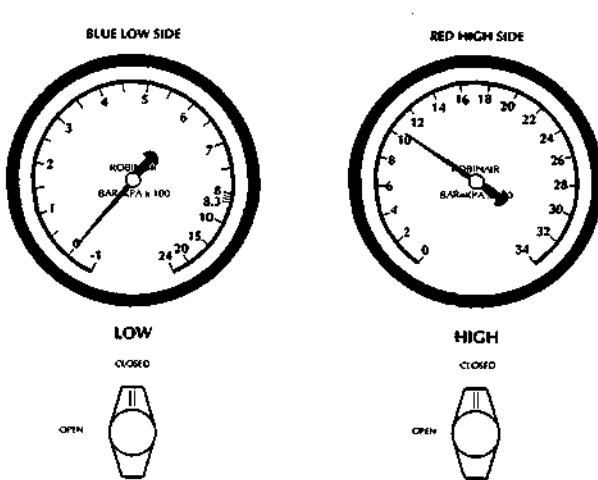
The expansion valve allowing excessive flow of refrigerant through the evaporator coils causing flooding of the coils.

Correction.

1. Depressurise the system.
2. Renew the expansion valve.
3. Renew the drier bottle.
4. Evacuate the system using a vacuum pump.
5. Recharge the system with new refrigerant.
6. Operate the system and check the performance.

Expansion Valve Malfunction

The valve stuck closed.



Complaint.

Cooling is not adequate.

Condition.

1. The low gauge reading is too low (0 or a vacuum).
2. The high side gauge reading is too low.
3. The discharge air from the evaporator only slightly cool.
4. The expansion valve shows signs of heavy sweating or frost.

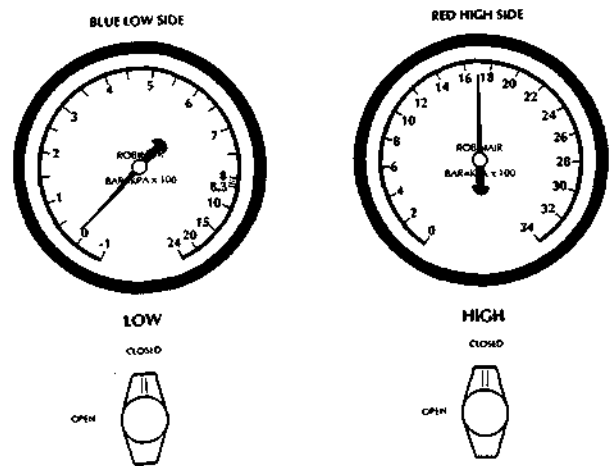
Diagnosis.

The expansion valve restricting the refrigerant flow.

Correction.

1. Depressurise the system.
2. Renew the expansion valve.
3. Renew the drier bottle.
4. Evacuate the system using a vacuum pump.
5. Recharge the system with new refrigerant.
6. Operate the system and check the performance.

Restriction in the High Pressure Side.



Complaint.

Cooling is not adequate.

Condition.

1. The low side gauge reading is low.
2. The high side gauge reading builds up to an excessively high reading.
3. The discharge air only slightly cool.
4. The high pressure liquid hose from the drier bottle to the evaporator is cool to the touch or shows signs of heavy sweating or frost.

Diagnosis.

A restriction in the receiver-drier or the high pressure liquid hose from the drier bottle. Which results in the compressor removing refrigerant from the evaporator faster than it can enter. This results in a starved evaporator.

Correction.

1. Depressurise the system.
2. Renew the drier bottle and/or the high pressure liquid hoses or other defective parts.
3. Evacuate the system using a vacuum pump.
4. Recharge the system with new refrigerant.
5. Operate the system and check the performance.

Torque Levels for the Hose Connections

COMPONENT	TORQUE	Nm
Evaporator Hose		
Hose to Expansion Valve	32.0 ±	4.0
Hose to Compressor	34.0 ±	2.0
Condenser Hose		
Hose to Compressor	34.0 ±	2.0
Hose to Compressor	25.0 ±	4.0
Condenser Pipe		
Pipe to Drier Bottle	6.0 ±	1.5
Evaporator Pipe		
Pipe to Expansion Valve	16.0 ±	1.5

Air Conditioning Procedures

Depressurising

Note: Observe all safety precautions and do not smoke while carrying out the following procedures.

1. With the engine switched off, remove the protective caps from the schraeder valves.
2. Ensure the manifold gauge set hand valves are in the closed position, then by using the access valve core remover connect the manifold gauge set to the system with the red hose to the high pressure side and the blue hose to the low pressure side.
3. Screw out the valve core to allow the refrigerant to flow.
4. Place the centre hose of the manifold set into a suitable container.
5. Slowly open the high or low side manifold hand valve and adjust the valve for a smooth refrigerant flow. Watch the refrigerant for any signs of escaping oil and adjust the hand valve to prevent any oil escaping.
6. If oil is lost during the discharge, the compressor oil level must be checked and if necessary topped up.
7. As the discharge rate slows down, open the other manifold hand valve so that refrigerant flows from both high and low pressure sides of the system.
8. Constantly adjust the hand valves to ensure that oil does not flow. When a zero reading is shown on both high and low pressure gauges the system is discharged.
8. Close both manifold hand valves.

Recovering Refrigerant

Caution: The Recovery-Recycle-Recharging equipment has special fittings to avoid cross contamination with R-12 systems. Do not attempt to adapt this unit for R-12 as system failure will result.

Warning: Follow the safety procedures as defined at the beginning of the section.

Caution: The unit's overfill limitation mechanism has been calibrated specifically for use with the 50 lb. (23 Kg) refillable refrigerant tank.

As the refrigerant is recovered it is passed through an oil separator and a filter drier before it is allowed to enter the refrigerant tank. When it is dry the moisture indicator turns green.

Recovery Procedure

Note: Run the air-conditioning system for a few minutes before starting the recovery procedure as this will enable more refrigerant to be recovered. Turn the system off before starting the procedure.

1. Attach the red (high side) hose of the unit to the high side fitting of the system on the vehicle then fit the blue (low side) fitting to the low side on the vehicle.

Note: Make sure that the Air conditioning system has pressure in it before beginning the recovery process; if there is no system pressure there is no refrigerant to recover. Also make sure that the oil drain valve is closed.

2. Open both the high and low side valves on the control panel.
3. Open the red GAS (vapour) valve and the blue LIQUID valve on the tank.
4. Turn on the MAIN POWER switch.
5. Press the RECOVERY key on the key-pad. The display shows that the unit is in the RECOVER mode and AUTOMATIC cycle. After the compressor starts the display shows the weight of refrigerant being recovered. The compressor shuts off automatically when the recovery is complete and the display shows the message 'CPL' and the final weight of the recovered refrigerant.
6. Wait for five minutes and watch the manifold gauges for a rise above 0. If a rise occurs press the HOLD/CONT key. Repeat as needed until the system pressure holds for two minutes.

Note: Drain the oil separator after each job.

7. Slowly open the oil drain valve and drain the oil into the oil catch bottle. When all the recovered oil has completely drained close the valve.
8. Replace oil lost during the recovery procedure by measuring the amount of oil in the catch bottle and adding the same amount of new oil to the system.
Note: Dispose of the recovered oil in an approved way.
9. When the recovery tank is full the compressor is shut off and the display shows the message FULL.

Evacuating and Recycling the Refrigerant

1. Open the red (high side) and the blue (low side) valves on the unit and open the red GAS (vapour) valve and the blue LIQUID valve on the tank.
2. Enter the required time using the key-pad, press enter, the display shows the entered time in minutes.
3. Start the vacuum pump by pressing the VACUUM KEY again. The recycling process begins approximately five seconds after the vacuum pump starts and the message RECYCLE is displayed.

Note: If the vacuum pump has run for ten hours or over without an oil change the message OIL flashes on the display. Change the pump oil and then press the SHIFT/RESET key and the zero key to reset the oil change timer to zero.

The digital display counts down the evacuation time.

4. Check for non-condensibles after five minutes recycling. If the gauge needles are more than 10 psi apart purge the non-condensibles from the tank by opening the purge valve on the back of the unit and continue to bleed until both needles show the same reading.

The vacuum sequence continues until the programmed time has elapsed at which point the message CPL is displayed.

5. If the moisture indicator turns green recharge with refrigerant.
or
5. If the moisture indicator has not turned green replace the unit's filter-drier, which is probably saturated.

Note: Pressing any key at this point allows the next function to be accessed.

To recycle the refrigerant only without pulling a vacuum for an indefinite period of time press the SHIFT/RESET key and the RECYCLE key on the key-pad. Press the SHIFT/RESET key to cancel.

For vacuum only press the SHIFT/RESET key and the ENTER key and then press "1". Run the vacuum pump as long as required and then press "1" or press SHIFT/RESET to cancel.

Recharging the System

1. Open the high side valve on the unit control panel. If the messages PROGRAM and CHARGE are not displayed press the CHG key to enter PROGRAM mode.
2. Key in the amount of refrigerant needed to recharge the system and press ENTER.
3. Press the CHG key; the message AUTOMATIC and the entered amount of refrigerant will be displayed. The display counts down to zero as the charging process proceeds. When the charging is complete the message CPL is displayed.

If the refrigerant transfer is too slow the charging unit emits a signal. If the message CHECK REFRIGERANT is not displayed, close the high side valve, open the low side valve and start the air conditioning system to pull the remainder of the charge into the system.

If the refrigerant transfer will not complete and the message CHECK REFRIGERANT is displayed, press the HOLD/CONT key to interrupt the cycle then reset the unit by pressing the RESET key. Recover the refrigerant already charged into the system by following the procedure for recovering the refrigerant, add new refrigerant to the tank and return to Step 1 to recharge the system.

4. If the air conditioning system is not running start it and let it run until the gauge pressure readings stabilize (compare the gauge readings with the system manufacturer's specifications).

Note: Ensure that the readings are accurate by closing both the high and low side valves on the unit's control panel.

5. Check the evaporator outlet temperature to make sure that the air conditioning system is operating properly (refer to the system manufacturer's specifications for the proper temperature).

Compressor Oil Check

Data

Special Tools

Sanden oil dipstick JD 149

Torque Figures

Oil filler plug 8-12 Nm

Procedure

Whenever a component has been replaced in the refrigerator system or there is an obvious oil leak, the following procedure should be carried out.

A Sanden oil dipstick and angle gauge are required in order to carry out the check.

1. Run the compressor for 10 minutes at engine idle speed.
2. Depressurise the system.
3. Lay the angle gauge across the flat surfaces of the two front mounting lobes. Centre the bubble and note the mounting angle.
4. Remove the compressor from the vehicle.
3. Remove the plug from the oil filler hole (1 Fig. 1).
4. Rotate the counter weight (3 Fig. 1) on the front of the clutch to allow the dipstick (2 Fig. 1) to penetrate to its fullest extent.

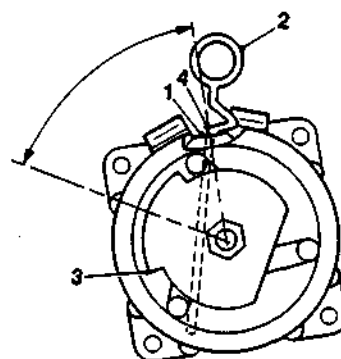


Figure 1.

5. Insert the dipstick to its stop position (4 Fig. 1). The point of dipstick angle should be facing left.
6. Remove the dipstick and check the oil level against the figures quoted in the chart below.

Mounting Angle Degrees	Acceptable Oil Level Increments
0°	3- 5
10°	4- 6
20°	5- 7
30°	6- 8
40°	7- 9
50°	8 - 10
60°	9 - 11
90°	10-12

If the level indicated on the dipstick does not match the increments given in the table for a particular mounting angle, add or subtract oil to the midpoint value.

7. Ensure that the "O" ring seal and seat are clean. Coat the seal with compressor oil and refit the oil filler plug.
8. Torque tighten the plug to 8-12 Nm. Do not over tighten the plug to stop a leak. If necessary, remove the plug and fit a new oil seal.
9. Refit the compressor.
10. Recharge the system with refrigerant.

8.1.01.1 Compressor Removal/Renewal

Procedure

1. Open the bonnet and fit a wing cover.
2. Depressurise the air conditioning system.
3. Disconnect the low and high pressure hoses from the rear of the compressor. Plug the hose ends to prevent the ingress of dirt.
6. Remove the compressor pivot bolt securing nut.
7. Carefully separate the muffler from the compressor and remove and discard the 'O' ring seal.
8. Fit a blanking plug to the muffler and a blanking plate to the compressor, fit and tighten the bolt that secures blanking plate.
9. Raise the vehicle to working height on a ramp.

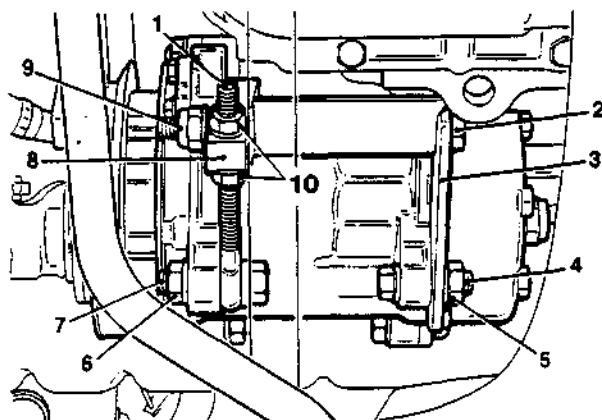


Figure 1.

10. Slacken the compressor drive belt adjuster rod and adjuster plate securing nuts and bolts (Fig. 1-4, 5, 6 and 7)
11. Slacken adjuster nut (Fig. 1-10).
12. Remove the nut and bolt (Fig. 1-4 and 5) from adjuster plate (Fig. 1-3).
13. Slacken trunnion nut and bolt (Fig. 1-9 and 2) and remove the adjuster rod (Fig. 1-1).
14. Disconnect the compressor multi-plug.
15. Remove the compressor drive belt.
16. Pivot the compressor away from engine, support the compressor and remove the top pivot bolt and lift the compressor clear of the vehicle.
17. Remove the mounting brackets from the compressor.
26. Lift the compressor up to the engine and fit the top pivot bolt (Fig. 1-2) from above.
27. Attach adjustment rod loosely to the compressor (Fig. 1-1) with nut and bolt (Fig. 1-6 and 7).
28. Loosely attach adjustment plate (Fig. 1-3) to the compressor with nut and bolt (Fig. 1-4 and 5).
29. Fit bolt (Fig. 1-2) through trunnion (Fig. 1-8) and fit nut (Fig. 1-9) to the bolt.
30. Fit the drive belt over the pulley, move the compressor away from the engine to tension the drive belt and lightly tighten the bolts and nuts.
31. To obtain the correct tension on the drive belt tighten adjuster nuts (Fig. 1-10). The belt is correctly tensioned when a load of 59- 63.6 kg (130 -140 lb) applied at the centre deflects the belt 4 mm.
32. Ensure that all securing bolts and nuts are fully tightened.
33. Lower the vehicle to the ground.
34. Remove the blanking plate and the blanking plugs from the compressor.
36. Fit new 'O' ring seals to the low and high pressure hoses and connect them to the compressor. Fit the retaining plate, fit and tighten the screw.
38. Charge the air conditioning system.
39. Remove the wing cover and close the bonnet.

8.1.02.1 Field Coil Renewal

Procedure

1. Open the bonnet and fit a wing cover.
2. Depressurise the air conditioning system.
3. Remove the compressor.
4. Remove the compressor drive clutch.
5. Remove the compressor pulley.
6. Slacken the field coil wire clamp screw (Fig. 1) and release the wire from the clamp.

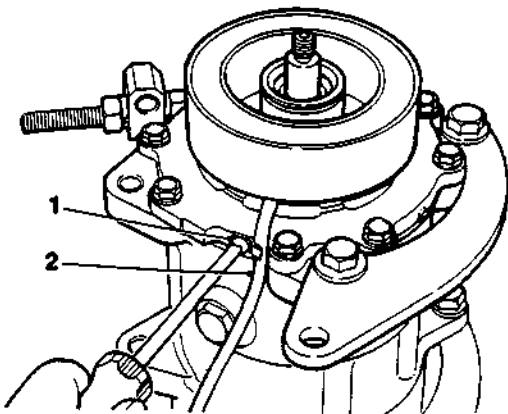


Figure 1.

7. Remove the field coil retaining snap ring and detach the field coil.
8. Clean the mating face of the compressor with a cloth moistened with an approved cleaning fluid.
9. Position the new field coil on the compressor and fit the retaining snap ring.
10. Route the wire to the compressor and fit the wire clamp, tighten the securing screw.
11. Fit the compressor pulley.
12. Fit the compressor drive clutch.
13. Fit the compressor.
14. Recharge the air conditioning system.
15. Remove the wing cover and close the bonnet.

8.1.03.1 Renew Gasket Kit

Data

Torque Figures

Cylinder head bolts 29.83 to 33.9 Nm.

Procedure

1. Open the bonnet and fit a wing cover.
2. Depressurise the air conditioning system.
3. Remove the compressor.
4. Position the compressor in a vice, tighten the vice onto the compressor body lugs.
5. Remove the outlet port blanking plate securing bolt and detach the plate.
6. Remove and discard the 'O' ring seals from the outlet port.
7. Remove the compressor cylinder head securing bolts, detach the cylinder head.
8. Detach the valve plate from the compressor.
9. Remove the gaskets from the compressor.
10. Remove all traces of gasket material from the mating surfaces of the cylinder head, valve plate and cylinder block.

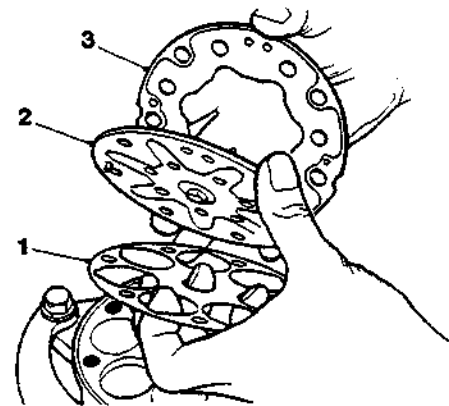


Figure 1.

11. Position new gaskets (Fig. 1-1 and 3) on the valve plate (Fig. 1-2) and then place it on the cylinder block.

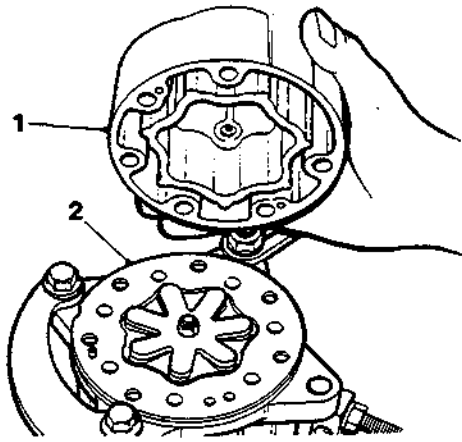


Figure 2.

12. Position the cylinder head (Fig. 2-1) on the cylinder block (Fig. 2-2), fit and tighten the securing bolts in the sequence shown in Fig. 3.

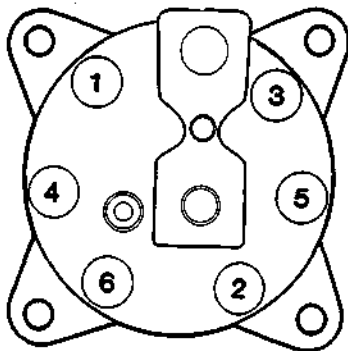


Figure 3.

13. Fit new 'O' ring seals in the compressor outlet port, position the outlet port blanking plate and fit and tighten the securing bolt.
14. Check and top up compressor oil
15. Refit the compressor.
16. Recharge the air conditioning system.

8.1.04.1 Valve Plate Renewal

Data

Torque Figures

Cylinder head bolts 29.83 - 33.9 Nm

Procedure

1. Open the bonnet and fit a wing cover.
2. Depressurise the air conditioning system.
3. Remove the compressor.
4. Position the compressor in a vice, tighten the vice onto the compressor body lugs.
5. Remove the outlet port blanking plate securing bolt and detach the plate.
6. Remove the 'O' ring seals from the compressor outlet port.

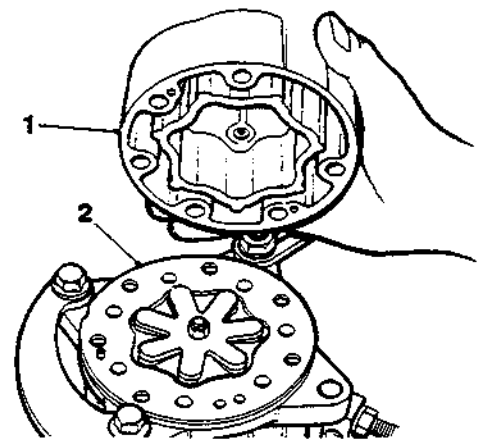


Figure 1.

7. Remove the cylinder head securing bolts and detach the cylinder head (Fig. 1-1) from the cylinder block.
8. Remove valve plate (Fig. 1-2) from the compressor.
9. Remove all traces of gasket material from the mating surfaces of the cylinder head and compressor.
10. Apply clean refrigerant oil to the gaskets and then position them on the valve plate.

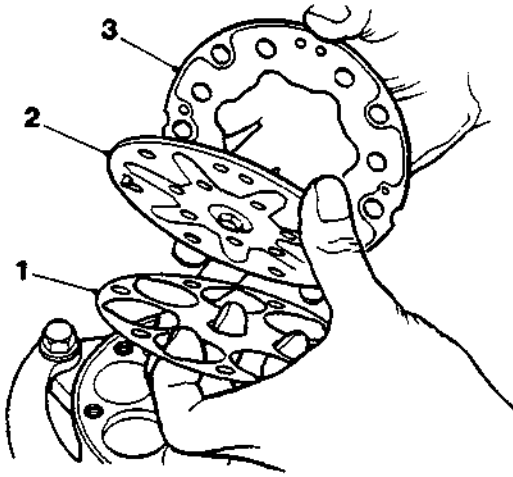


Figure 2.

11. Position valve plate and gaskets (Fig. 2-1 and 2) on the compressor and fit the cylinder head.
12. Tighten the cylinder head securing bolts in the order shown in Fig. 3.

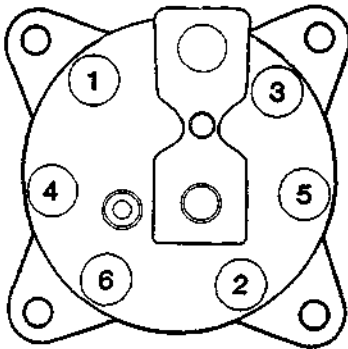


Figure 3.

13. Fit new 'O' rings to the outlet port blanking plate, position the plate on the compressor and fit and tighten the securing bolt.
14. Check compressor oil and top up in necessary.
14. Refit the compressor.
15. Remove the wing mat and close the bonnet.

8.1.05.1 Expansion Valve Renewal

1. Depressurise the air conditioning system.
2. Undo the pipe to expansion valve clamp bolt and retaining plate and disconnect the pipes (Fig. 1)

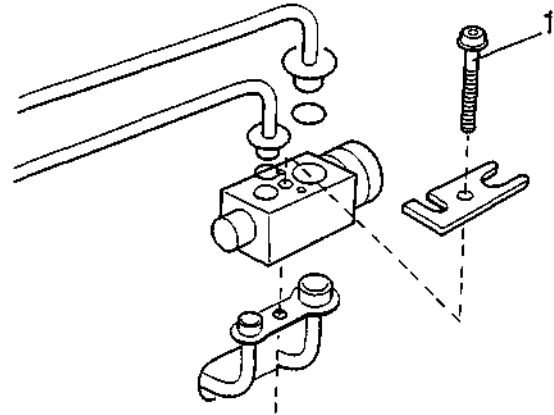


Figure 1.

3. Fit blanking plugs to the expansion valve and to the pipes.
4. Reposition the pipes to one side.
5. Unscrew the two torx head retaining screws and remove the expansion valve from the air conditioning unit (Fig. 1-1).
6. Remove and discard the 'O' rings.
7. Fitting a new valve is the reversal of the removal procedure.
8. Ensure new 'O' rings to all union connections are fitted.
9. Evacuate the system.
10. Recharge the system.

8.1.06.1 Hose-Compressor to Evaporator Renewal**Procedure**

1. Open the bonnet and fit a wing cover.
2. Depressurise the air conditioning system.
3. Remove the hose to evaporator valve clamping plate, disconnect the hose from the valve, remove and discard the 'O' ring seal.
4. Fit a blanking plug to the evaporator valve. Release the evaporator hose securing clips.
5. Remove the compressor outlet port retaining bolt.
6. Disconnect the hose from the compressor, discard the hose complete with 'O' ring seals.
7. Connect the hose to the evaporator valve and tighten clamp onto the hose.
8. Route the hose to the compressor, fit a new 'O' ring seal and connect it to the compressor.
9. Position the outlet port retaining plate on the compressor, fit and tighten the securing bolt.
10. Refit the hose to the clips.
11. Charge the air conditioning system.
12. Remove the wing cover and close the bonnet.

8.2.01.1 Air Conditioning Unit Renewal

1. Disconnect the battery earth lead.
2. Drain the engine coolant into a suitable container.
3. Depressurise the air conditioning system.
4. Disconnect the high and low pressure hoses and expansion valve from the air conditioning unit (see expansion valve renewal).
5. Slacken the coolant hose to the heater matrix pipe securing clips and disconnect the hoses from the matrix. (This will require the removal of the air intake hose for access.)
6. Remove the following items from inside the car:
 - front seats
 - underscuttle panels/knee bolsters
 - glove box assembly
 - facia trim (walnut trim)
 - radio and ashtray
 - centre console switch panel assembly
 - instrument panel and surround trim
 - steering wheel and column
 - facia assembly complete
 - hoses - distribution box to door vents
 - facia support frame

Details and drawings of the above operations can be found in the electrical and trim sections.

7. Disconnect the vacuum hoses from the blower motors, water valve and reservoir.
8. Un-clip the electrical harness from the air conditioning unit, release the electrical connections and reposition the harness to allow removal of the unit.
9. Displace and remove the footwell ventilator ducts and hoses (Fig. 1-1).

10. Disconnect the pliable trunking from the unit (Fig. 1-2).

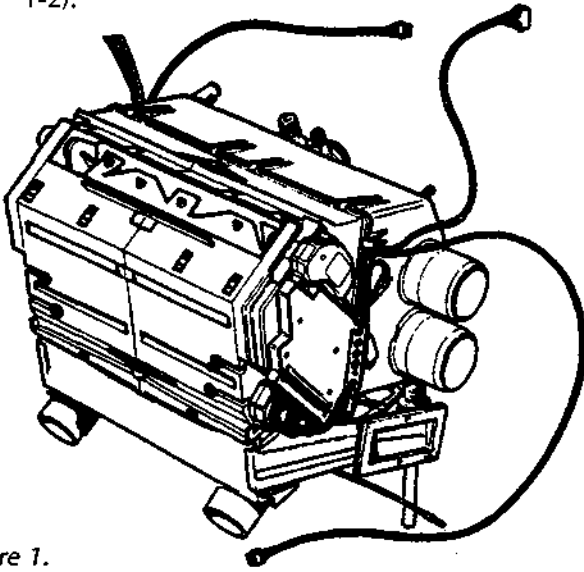


Figure 1.

11. Twist and pull out the four air conditioning unit stub pipes (Fig. 1-3)
12. Remove the screws securing the air conditioning unit support stays.
13. Displace the tunnel carpet for access to the lower fixing bolts and remove the stays.
14. Disconnect the condensate drain tubes.
15. Peel off the tape securing the windscreen demist duct to the distribution box (Fig. 1-4).
16. Remove the air conditioning unit to bulkhead securing nuts.
17. Carefully lift out the air conditioning unit complete with the distribution box.
18. Remove the distribution box securing screws and remove the assembly (Fig. 1-5).
19. Reverse the removal procedure to refit the air conditioning unit.

Note: Ensure new 'O' rings are fitted to all air conditioning hose connections.

8.2.02.1 Evaporator Unit Renewal

1. Remove the air conditioning unit assembly.
2. Remove the heater pipe guide plate securing screws and remove the guide plate.
3. Remove the screws securing evaporator sensor and withdraw the sensor from the evaporator.
4. Remove the screws securing the solenoid mounting plate and displace the mounting plates from the unit.
5. Remove the harness to casing earth bolt and displace the harness.
6. Cut and remove the harness to casing securing ratchet straps and displace the harness from the casing.
7. Displace the vacuum hose from the casing.
8. Displace and remove the casing securing clips.
9. Split the casing and remove the evaporator from the unit.
10. Remove the expansion valve guide securing screws and remove the plate.
11. Displace and remove the plate from the evaporator.
12. Fitting the new evaporator is the reversal of the removal procedure.
13. Refill the engine cooling system with coolant.
14. Recharge the air conditioning system.

8.2.03.1 Upper Servo Feedback Potentiometer Renewal

1. Disconnect the battery earth lead.
2. **(On left hand cars)** Remove the instrument pack and surround trim.
2. **(On right hand cars)** Remove the glove box assembly.
3. Remove the securing screws and the potentiometer assembly. Disconnect the electrical connector.
4. Fitting a new potentiometer is the reverse of the removal procedure.

8.2.04.1 Lower Servo Feedback Potentiometer Renew

1. Disconnect the battery earth lead.
2. Un-clip and remove the left hand underscuttle casing.

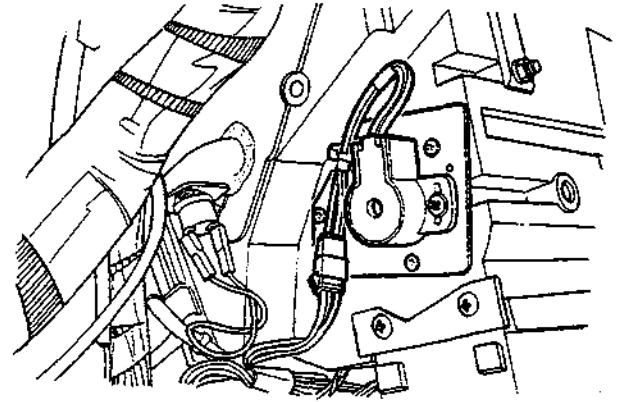


Figure 1.

3. Disconnect the electrical block connector (Fig. 1).
4. Remove the securing screw and the potentiometer assembly.
5. Fitting a new potentiometer is the reversal of the removal procedure.

8.2.05.1 Upper Flap Motor Assembly Renew

1. Disconnect the battery earth lead.
2. Remove the electronic control module.
3. Disconnect the motor block connector.
4. Remove the securing screws and motor assembly (Fig 1).

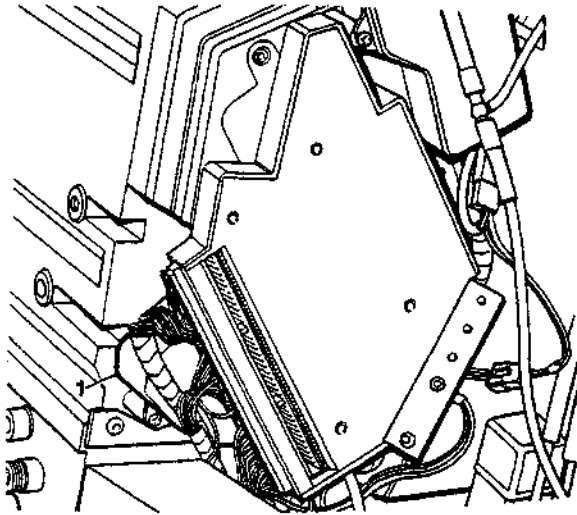


Figure 5.

5. Fitting a new motor is the reverse of the removal procedure.

8.2.06.1 Lower Flap Motor Assembly Renew

1. Disconnect the battery earth lead.
2. Remove the right hand side underscuttle casing.
3. Remove the electronic control unit.
4. Disconnect the block connector.
5. Remove the screws securing the motor to the air conditioning unit.
6. Displace the 'P' clip.
7. Withdraw and remove the motor from the air conditioning unit .
8. Fitting a new motor is the reversal of the removal procedure.

8.2.07.1 Ambient Temperature Sensor Renew

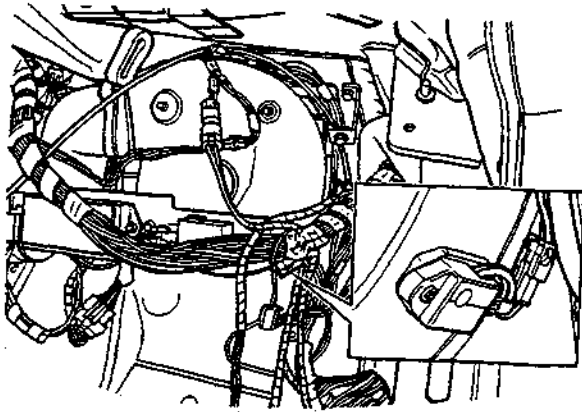


Figure 1.

The ambient temperature sensor is located in the left hand side of the air plenum chamber under the lower windshield panel (Fig. 1-1).

Procedure

1. Disconnect the battery earth lead.
2. **(On left hand cars)** Remove the steering wheel (mark the position on the column shaft for re-assembly), instrument pack and surround trim.
2. **(On right hand cars)** Remove the glove box lid and liner.
3. Disconnect the hose from the distribution box to the side vent outlet. Reposition the hose for access.
4. Disconnect the sensor block connector.
The sensor has locating clips and is a push fit into the plenum chamber.
5. Lever the sensor free.

8.2.08.1 Blower Motor Driver Side Renewal

8.2.09.1 Blower Motor Passenger Side Renewal

1. Move seat fully rearward.
2. Disconnect vehicle battery ground lead.
3. Remove the under scuttle/knee pad bolster.
4. Remove the lower brace bar/facia assembly underscuttle knee pad.

Driver Side Only

5. Remove the instrument pack, bonnet release handle mounting bracket and steering column..
6. Disconnect the air hose from the facia side air outlet.

Passenger Side Only

7. Remove the glove box lid and liner.

Both

8. Remove the nuts securing the component panel (Fig. 1-1).

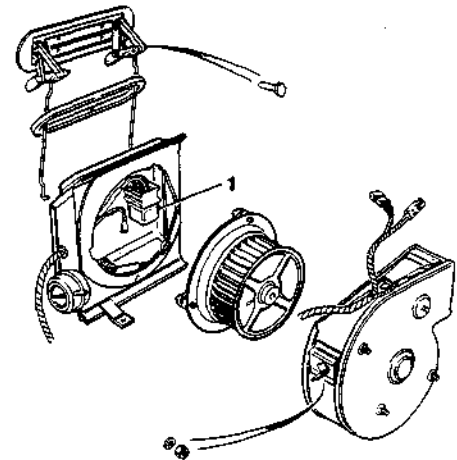


Figure 1.

9. Ease the component panel clear for access to the blower assembly mounting bolts.
10. Disconnect the pliable trunking from the stub pipes on either side of the air conditioning unit (Fig. 1-3).
11. Disconnect the blower motor electrical harness at the block connector.

12. Disconnect the vacuum pipe from the flap actuator (Fig. 1-4).
13. Open the re-circulation flap in the base of the blower assembly and fit a wedge to retain it in the open position (Fig. 1-5).
14. Remove the bolts securing the blower assembly and ease the blower unit from its location (Fig. 1-6).
15. Remove the tape securing the ducting to the assembly and remove the ducting (Fig. 1-7).

Note: To remove the blower motor assembly from the vehicle, the lower flap must be opened to allow the upper flap to disengage from the upper body aperture.

8.2.10.1 Blower Assembly Driver/ Passenger Side Overhaul

Note: Blower assemblies under warranty must not be dismantled.

1. Remove the three self tapping screws (Fig. 1-1) from the air intake casing.

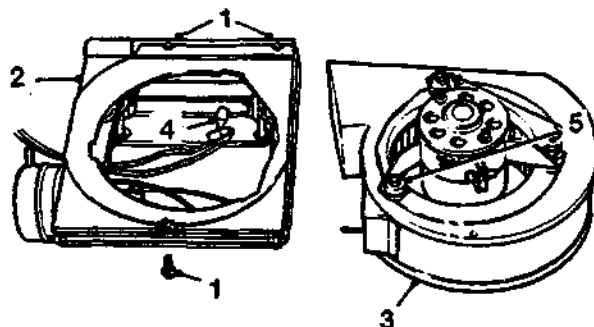


Figure 1.

2. Part the air intake casing (Fig. 1-2) from the motor assembly (Fig. 1-2) and disconnect the electrical connections at the lucar connectors (Fig. 1-4).

Note: Mark the position of the various components with paint or a scribe. This facilitates re-assembly.

3. One lucar connector has a raised projection which matches the aperture in the motor casing to ensure that the connections are replaced correctly and that the rotation of the motor is unaffected.
4. Remove the bolts securing the motor mounting bracket to the fan housing (Fig. 1-5).
5. Remove the motor and fan assembly from the fan housing.
6. Remove the mounting bracket from the motor.
7. Using appropriate Allen key, remove the impellor fan from the spindle.

Re-assembling

1. Refit the fan to the motor and secure it to the spindle.
2. Refit the mounting bracket to the motor.
3. Locate the fan and mounting assembly into the fan housing.

4. Place the flap box assembly to the fan housing and reconnect the electrical connections.
5. Fit and tighten the screws securing the flap box to the housing.
6. Raise the re-circulation flap, fit and tighten the remaining screw.
7. Refit the blower motor assembly.
8. Reconnect the battery earth-ground lead.

8.2.11.1 Blower Motor High Speed Relay Renewal

1. Remove the blower motor assembly complete.

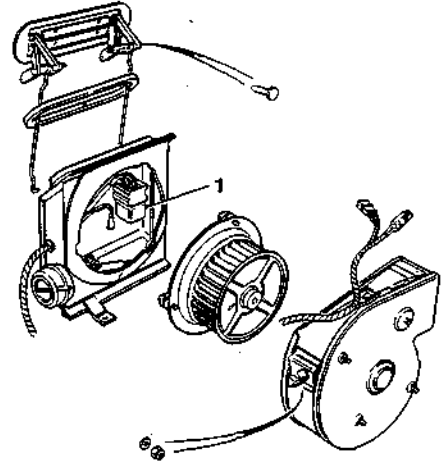


Figure 1.

2. Open the flap for access.
3. Using a suitable tool remove the relay from the blower assembly (Fig. 1-1).
4. Fit a new relay and refit the blower motor assembly.

8.2.12.1 Water Temperature Switch Renewal

1. Disconnect the battery earth lead.
2. Un-clip and remove the left hand underscuttle casing.

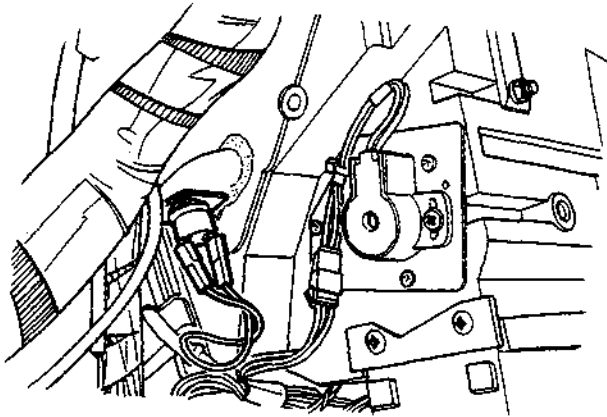


Figure .

3. Note and disconnect the feed wires from the switch (Fig. 1-1).
4. Displace and remove the switch from the water pipe.
5. Fitting a new switch is the reversal of the removal procedure.

8.2.13.1 Heater Matrix Renewal

1. Disconnect the battery earth lead.
2. Remove the left hand underscuttle panel.
3. **(On right hand cars)** Remove the glove box assembly.
3. **(On left hand cars)** Remove the instrument pack and surround trim, steering column and mounting bracket.
4. Drain the coolant into a suitable container.
5. Remove the matrix cover panel securing screws.
6. Remove the rear panel, displace the front panel and foam seal for access.
7. Place rag in position.
8. Remove screws securing the feed pipe and disconnect the pipe from the matrix.
9. Remove and discard the gasket.
10. Remove the screws securing the feed pipe and disconnect the pipe from the matrix.
11. Remove and discard the gasket.
12. Disconnect the water temperature switch feed wires.
13. Remove the foam pad from the pipes.
14. Remove the front panel from the unit.
15. Undo the heater hose matrix pipe hose clips and disconnect the hoses from the pipes.
16. Reposition the pipes from the matrix.
17. Remove the matrix from the air conditioning unit.
18. Fitting a new matrix is the reversal of the removal procedure.
19. Ensure that new gaskets are fitted.

8.2.14.1 Electronic Control Module Renew

1. Disconnect the battery earth lead.
2. Remove the right hand underscuttle casing.
3. **(On left hand cars)** Remove the glove box assembly.
3. **(On right hand cars)** Remove the instrument pack and surround trim.
4. Disconnect the earth wire and three block connectors from the control module (Fig. 1-2).
5. Remove the securing screws and module from the air conditioning unit (Fig. 1-1).

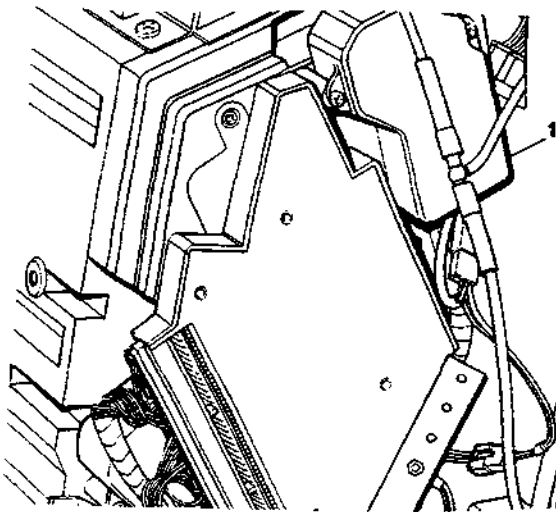


Figure 1.

6. Fitting a new module is the reversal of the removal procedure.

8.3.01.1 Vacuum System Solenoid Renewal

The flaps in the cabin air distribution vents and the water valve in the pipe line from the engine coolant system to the heater matrix are all operated by vacuum actuators. The vacuum for these is supplied by four solenoids mounted in a manifold pack located behind the front left hand footwell outlet. Failure of a solenoid will require replacement of the manifold pack.

Procedure

1. Disconnect the battery earth lead.
 2. Remove the following:
 - glove box and lid
 - facia trim (walnut strip)
 - radio and ashtray
 - centre console switch assembly
 - left hand underscuttle casing/knee bolster
- Details of the above operations can be found in the trim and the electrical sections.
2. Remove the fixings joining the centre console to the facia. This allows the front of the console to be repositioned for access.
 3. Disconnect the ducting from the left hand footwell outlet.
 4. Remove the two plastic fixings that secure the slotted footwell outlet and slide the outlet out of the unit.
 7. Cut the tie strap holding the vacuum lines and electrical harness to the underside of the air conditioning unit.
 8. Remove the screws that secure the manifold pack to the underside of the air conditioning unit and slide out the plate complete with the manifold pack.
 10. To fit a new manifold pack reverse the steps for the removal.

The Air Conditioning System Diagnostics

The air-conditioning control module (A/CCM) is located at the right end of the air-conditioning unit.

A digital microprocessor within the A/CCM receives data signals from the operator controlled switches. Comparison of these signals with those returned from the system temperature sensor and feedback devices results in the appropriate voltage changes necessary to vary: blower motor speed, flap positions and system solenoids to respond to the drivers selected temperature demand.

The air from the two blower motors is passed through the evaporator matrix which, depending on the A/C mode selected, removes heat from the incoming air. Depending on the position of the two blend flaps, the cold air passes either directly into the vehicle outlet vents, or is passed through the heater matrix to be reheated and then passed to the vehicle outlet vents.

The amount of air passing through the heater matrix is infinitely variable depending on ambient temperature and the temperature selected within the vehicle.

Air Conditioning Diagnostics

Cable Connections to the A/CCM

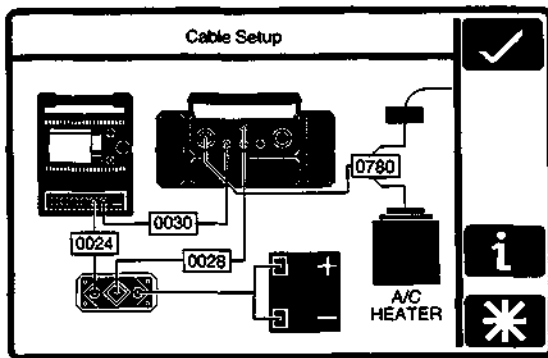


Figure 1. PDU connections to the A/CCM

1. Remove the right side underdash trim panel.
2. Connect the VBA (0024) to the vehicle battery
3. Connect the PDU to the VBA (0024).
4. Connect the VIA to the PDU using the VIA-PDU cable (0030).
5. Connect the AirCon DataLogger harness (0780) between the VIA Channel A and the Air-Conditioning Control Module on the vehicle.

Air Conditioning Signal Monitoring

The following signals can be monitored using the PDU. The abbreviated name of the signal is shown on the PDU display.

Display Name	Full Signal Name
AMBTMP	Ambient temperature sensor
ARECIP	Auto-Recirculation input
ARECOP	Auto-Recirculation output
AUX+	Auxiliary battery positive
CLUREL	Clutch relay drive output
CVSOL	Centre vent solenoid
DEFSOL	Defrost solenoid
DIFF	Temperature differential
EVSEN	Evaporator sensor
FANDEF	Fanspeed defrost
FANHIG	Fanspeed high
FANLOW	Fanspeed low
FANMED	Fanspeed medium
FIVEV	Five volt supply voltage
FORSERL	Lower servo forward drive
FORSERU	Upper servo forward drive
GND10	Ground voltage
GND2	Ground voltage
GND38	Ground voltage
GND45	Ground voltage
GND6	Ground voltage
HSREL	High speed relay drive
ICSEN	In-Car sensor
LBLOFB	Left blower feedback voltage
LBLOWOP	Left blower output voltage
LSERFB	Lower servo feedback potentiometer
MPROBE	Measurement probe
POWIN+	Switched power input
POWOP+	Power output
RBLOFB	Right blower feedback voltage
RBLOWOP	Right blower output voltage
REF	Reference signal
REVSERL	Lower servo reverse drive
REVSERU	Upper servo reverse drive
TEMPDEM	Temperature demand
USERFB	Upper servo feedback potentiometer
WATSW	Water switch
WATVAL	Water valve

The following signals are supported on the Air-Conditioning Control Module. For each signal, The signal name, mnemonic and background information are detailed.

Ambient Temperature Sensor

(AMBTEMP)

A/CCM Pin 34 ref Pin 6

This sensor is located in the right hand blower motor. This signal is used to enable the A/C system to compensate for changes in ambient air temperature. The output to pin 34 is 2.732 volts at 0 degrees Celsius and changes by 0.01 volts for each degree Celsius above or below zero.

Auto-Recirculation Input

(ARECIP)

A/CCM Pin 9 ref Pin 6

This is effectively an On/Off switch for the A/C system and forms part of the fan control switch.

Switch Off - Pin 9 should be at ground

Switch On - Pin 9 should be at 10+ volts.

When pin 9 is at ground, pin 3 will be at 10+ volts causing the recirculation flaps to open.

Auto-Recirculation Output

(ARECOP)

A/CCM Pin 3 ref Pin 6

This signal will cause the recirculation flaps to close. Operating conditions should be:

A/C Off - 10+ volts at pin 3, flaps open.

Temp demand minimum - 10+ volts at pin 3, flaps open.

Defrost - 0 volts at pin 3, flaps closed.

Temp demand max - 0 volts at pin 3, flaps closed.

Auxiliary Battery Positive

(AUX+)

A/CCM Pin 1 ref Vehicle Battery -ve

This signal is the auxiliary supply to the A/CCM. Pin 1 should read battery voltage if the ignition switch is in the auxiliary or ignition on positions. Pin 1 should read 0 volts when the ignition switch is in the Off position or in position III whilst cranking the engine. Loss of this supply will cause total failure of the A/C system.

Clutch Relay Drive Output

(CLUREL)

A/CCM Pin 20 ref Pin 6

This signal responds to the input at pin 5 (evaporator sensor). When pin 5 is between 2.715 and 2.725 volts, pin 20 should read below 1 volt, and the compressor clutch will be switched off. When pin 5 is between 2.735 and 2.745 volts, pin 20 will rise to 10+ volts and the compressor will re-engage.

Centre Vent Solenoid

(CVSOL)

A/CCM Pin 18 ref Pin 6

The centre vent solenoid controls the operation of the centre vent flap. The centre vent will open to increase the cooling capabilities of the vehicle when cooling is selected. In all other conditions, the centre vent will be closed.

Solenoid energised: pin 18 should read 10+ volts and the centre vent will be open.

Solenoid de-energised; pin 18 should read below 0.5 volts and the centre vent should be closed.

Defrost Solenoid

(DEFSOL)

A/CCM Pin 11 ref Pin 6

The defrost solenoid controls the operation of the screen vents. When the solenoid is energised, the screen vents will be held closed by the vacuum created. To open the vents the solenoid is de-energised.

The solenoid is energised when a ground supply is provided to pin 11. The solenoid is de-energised when the ground supply is removed, at which point 10+ volts can be read at pin 11.

Temperature Differential

(DIFF)

A/CCM Pin 28 ref Pin 6

This sets the differential between the position of the upper and lower flaps. With minimum differential selected, pin 28 should read between 0 and 100 millivolts. The voltage at pin 28 will rise smoothly as the differential is increased, up to a maximum of 2.885 volts.

Evaporator Sensor

(EVSEN)

A/CCM Pin 5 ref Pin 6

This sensor monitors the temperature of the evaporator matrix, the output is used to trigger the compressor circuit via the A/CCM pin 20. Operating conditions are 2.732 volts at 0 degrees Celsius ± 0.01 volts for every degree Celsius above or below zero.

Fanspeed Defrost

(FANDEF)

A/CCM Pin 27 ref Pin 6

This signal is normally held at 3.6 ± 0.8 volts by the control module. When Defrost is selected from the control panel, the line is pulled down to 0.6 volts or below. This will cause the defrost flaps to open by applying system voltage (approx 11 volts) to pin 11. In addition, both fans will go to full speed i.e. high speed fan relay energised.

Fanspeed High

(FANHIG)

A/CCM Pin 15 ref Pin 6

This signal is generated from the fan speed control switch.

Switch at High, pin 15 should read 0.6 volts.

Switch at Off, L, M or D positions, pin 15 should read 3.6 ± 0.8 volts.

Fanspeed Low

(FANLOW)

A/CCM Pin 13 ref Pin 6

This signal is generated from the fanspeed control switch.

Switch at Low, pin 13 should read 0.6 volts.

Switch at Off, M, H or D positions, pin 13 should read 3.6 ± 0.8 volts.

Fanspeed Medium

(FANMED)

A/CCM Pin 14 ref Pin 6

This signal is generated from the fanspeed control switch.

Switch at Low, pin 14 should read 0.6 volts.

Switch at Off, L, H or D positions, pin 14 should read 3.6 ± 0.8 volts.**Five Volt Supply**

(FIVEV)

A/CCM Pin 43 ref Pin 6

This 5 volt rail provides the power supply for all the sensors and the feedback potentiometers. Any variation in this signal would totally upset the balance of the whole system.

Flap Servo Drive Signals

The servo drive signals control the position of the upper and lower flaps. The drive signals work in pairs, two for the upper and two for the lower flaps.

Lower Servo Forward Drive

(FORSERL)

A/CCM Pin 37 ref Pin 6

Upper Servo Forward Drive

(FORSERU)

A/CCM Pin 40 ref Pin 6

Lower Servo Reverse Drive

(REVSERL)

A/CCM Pin 41 ref Pin 6

Upper Servo Reverse Drive

(REVSERU)

A/CCM Pin 42 ref Pin 6

When the flaps are stationary, all signals will be at 0.6 volts approximately. When the flap(s) is being driven, the drive line(s) will rise to approximately 6 volts.

As the flap approaches its final position, the drive signal will be pulsed to nudge the flap to the exact position required.

Note: If a drive signal rises to above 8.5 volts and the servo motor does not operate, suspect an open circuit within the servo.

Ground Voltage

(GND10)

A/CCM Pin 10 ref Pin 6

This is the ground supply from the A/CCM to the in-car sensor and should read below 10 millivolts.

Failure of this line will cause the in-car sensor to believe the vehicle temperature to be at maximum all the time, thus forcing the system into permanent cooling. Under these circumstances, pin 4 (in-car sensor output) will be approximately 5 volts.

Ground Voltage

(GND2) A/CCM Pin 2 ref Pin 6

Ground Voltage

(GND38) A/CCM Pin 38 ref Pin 6

Ground Voltage

(GND45) A/CCM Pin 45 ref Pin 6

Ground Voltage

(GND6) A/CCM Pin 6 ref Battery -ve

The four ground signals above must be at battery negative voltage at all times.

High Speed Relay Drive

(HSREL) A/CCM Pin 16 ref Pin 6

The high speed relay drive signal is used to energise the high speed relay and to run the blowers at full speed, bypassing the normal fan control circuit. The high speed relay will be energised whenever Defrost or High speed Fans is selected.

Relay energised, pin 16 should read 10+ volts

Relay de-energised, pin 16 should read below 0.5 volts.

If the signal at pin 16 is correct but only one fan responds, suspect a fault in the harness or relay.

In-Car Sensor

(ICSEN) A/CCM Pin 4 ref Pin 6

The in-car temperature sensor operates in the range 0-5 volts. Actual output is 2.732 volts at 0 degrees Celsius ± 0.01 volts for every degree Celsius above or below zero. The sensor signal forms a reference point for the whole system.

If the signal on this pin remains at less than 1 volt, suspect either a short to ground on the signal wire or an open circuit on the 5 volt supply line to the sensor.

If the signal rises to approximately 3 volts, then suspect an open circuit on the ground supply to the sensor.

Left Blower Feedback Voltage

(LBLOFB)

A/CCM Pin 22 ref Pin 6

This signal informs the control module of the present voltage applied to the left blower. The control module can then monitor and vary this voltage to change blower motor speed. With Manual selected, the blower operates in four basic ranges:

Low SpeedTemp Min: pin 22 = 5 ± 1 voltTemp Med: pin 22 = 9 ± 1 voltTemp Max: pin 22 = 5 ± 1 volt**Medium Speed**Temp Min: pin 22 = 2 ± 1 voltTemp Med: pin 22 = 6 ± 1 voltTemp Max: pin 22 = 2 ± 1 volt**High Speed**Pin 22 = 1 ± 1 volt at all temperature settings**Defrost**Pin 22 = 1 ± 1 volt at all temperature settings**Left Blower Output Voltage**

(LBLOWOP)

A/CCM Pin 31 ref Pin 6

This signal is produced by the control module to drive the blower motor. The signal can vary from 0-3 volts depending on blower motor speed. The higher the voltage, the higher the blower motor speed. This signal is amplified by a simple amplifier circuit inside the blower motor. This circuit also supplies the feedback signals to pins 22 and 33.

Note: If the signal rises above 5 volts, then suspect a fault in the amplifier circuit.

Lower Servo Feedback Potentiometer

(LSERFB)

A/CCM Pin 29 ref Pin 6

This feedback signal informs the control module of the exact position of the flaps, enabling accurate control of flap position.

Defrost - Lower flap signal should be 2.9 volts (flap closed) upper flap signal should read 1.9 volts.

Max Temp - Lower flap signal should read 1.14 volts, upper flap signal should read 1.9 volts.

Min Temp - Both lower and upper flap signals should read 130 ± 80 millivolts.

Note: If the feedback sticks low, with the fan continually running, suspect an open circuit in the 5 volts supply to the feedback potentiometer or the potentiometer itself.

Measurement Probe

(MPROBE)

Measurement probe (RED) with reference to measurement probe (BLACK).

Switched Power Input

(POWIN+)

A/CCM Pin 44 ref Pin 6

Switched power-in is a signal from the control module. Unlike the unswitched power available on pins 1 and 12, this signal is only available when the A/C is switched on.

Power Output

(POWOP+)

A/CCM Pin 12 ref vehicle battery +ve

This is the ignition power for the whole A/C system. It passes through the A/CCM via pins 1 and 12 (and a feedback protection diode) before supplying the fan control switch. Pin 12 should normally read battery voltage with the ignition switch in positions I or II. With the ignition switch off, pin 12 should read 0 volts.

Right Blower Feedback Voltage

(RBLOFB)

A/CCM Pin 33 ref Pin 6

The purpose of the blower feedback is to inform the control module of the present blower speed. This enables the control module to directly monitor and control blower motor speed. With Manual selected, the blower operates in four basic ranges:

Low Speed

Temp Min: pin 33 = 5 ± 1 volt
Temp Med: pin 33 = 9 ± 1 volt
Temp Max: pin 33 = 5 ± 1 volt

Medium Speed

Temp Min: pin 33 = 2 ± 1 volt
Temp Med: pin 33 = 6 ± 1 volt
Temp Max: pin 33 = 2 ± 1 volt

High Speed

Pin 33 = 1 ± 1 volt at all temperature settings

Defrost

Pin 33 = 1 ± 1 volt at all temperature settings

Right Blower Output Voltage

(RBLOWOP)

A/CCM Pin 32 ref Pin 6

This signal is produced by the control module to drive the blower motor. The signal can vary from 0-3 volts depending on blower motor speed. The higher the voltage, the higher the blower motor speed. This signal is amplified by a simple amplifier circuit inside the blower motor. This circuit also supplies the feedback signals to pins 22 and 33.

Note: If the signal rises above 5 volts, then suspect a fault in the amplifier circuit.

Reference Signal

(REF)

A/CCM Pin 7 ref Pin 6

This is the main reference signal for the A/CCM. All the sensors reference against this voltage. Drift in this signal will cause inconsistent temperature control.

Normal voltage should read 2.885 ± 10 millivolts

Temperature Demand

(TEMPDEM)

Temperature demand control either selects the required temperature of the system (auto mode) or the outlet temperature of the vents (manual mode). Pin 35 will vary from 0 volts at full cooling up to 2.885 volts at full heating.

Note: When defrost is selected, the signal at pin 35 is ignored. The system will go into full heating through the upper flaps only.

Upper Servo Feedback Potentiometer

(USERFB)

A/CCM Pin 30 ref Pin 6

The feedback signal informs the control module of the exact position of the flaps, enabling accurate control of the flap position.

Defrost - Lower flap signal should read 2.9 volts (flap closed, the upper flap signal should read 1.9 volts.

Max Temperature - Lower flap signal should read 1.14 volts, upper flap signal should read 1.9 volts.

Min Temperature - Both upper and lower flap signals should read 130 ± 80 millivolts.

Note: If the feedback sticks low, with the fan continually running, suspect an open circuit in the 5 volt supply to the feedback potentiometer or the potentiometer itself.

Water Switch

(WATSW)

A/CCM Pin 21 ref Pin 6

The water switch monitors the temperature of the coolant and inhibits heating by restricting fan operation at coolant temperatures below 30 degrees celsius. This enables the vehicle to warm up at a faster rate. It can be overridden by selecting Defrost.

Water Valve

(WATVAL)

A/CCM Pin 17 ref Pin 6

The water valve controls the flow of hot coolant to the heater matrix. When manual full cooling is selected, the valve will close inhibiting the heating effort of the matrix, thus enhancing the cooling effect

Full cooling selected; pin 17 should read 10+ volts and the water valve should be closed.

All other conditions, pin 17 should read below 0.5 volts and the water valve should be open.

Contents**Installation Instructions**

Introduction	9-2
The Aston Martin Diagnostic System	9-2
Diagnostic System Cables	9-5
Base Station Installation	9-8
Problem Solving	9-16
Service Centres	9-21
Service and Maintenance	9-22
Technical Specifications	9-24

Operating Instructions

The Aston Martin Lagonda Diagnostic System	9-27
Software	9-29
Cable Setup	9-31
Diagnostic Sockets - 97 MY	9-31
Establishing Communications	9-32
System Menu Selections	9-32
PDU Use	9-32
Engine Diagnostics - 97 MY	9-33
Transmission Diagnostics	9-40
Climate Control Diagnostics	9-43
Anti-Lock Brakes Diagnostics	9-43
Passive Anti-Theft (PATS) Diagnostics	9-44
Airbag System Diagnostics	9-45
Seat Belt Pretensioner Diagnostics	9-47
Print Facility	9-49
Digital Multimeter	9-50
Diagnostic Trouble Codes	9-53
Datalogger	9-55
Datalogger Example	9-63
Training	9-66
OBD II Scan Tool	9-66
System Self Test	9-69
The Asterisk (*) Menu	9-69
System Setup	9-70

Introduction

This guide contains instructions for the installation of the Portable Diagnostic Unit hardware in Aston Martin Dealer workshops. To achieve maximum benefit from the system, please follow the instructions carefully. The following System Diagram shows the principal system components and panel details.

This introduction briefly describes the system and its capabilities. This is followed by the installation and Power-Up procedures which give detailed instructions on how to start the system and access the self-contained Interactive Training Programme.

The subsequent sections detail the fault diagnosis and maintenance procedures.

WARNING: *The equipment must only be used by trained personnel. Care should be taken to use the equipment in accordance with the operating procedures. Observe all safety warnings in this guide. If any part of the system is damaged do not use it. Call your local GenRad Service Centre immediately for a substitute part. Refer to 'Parts Ordering'.*

WARNING: *If the system is used to measure high voltages, these voltages can appear on the pins of other connectors in the system. Ensure that socket covers are fitted on unused sockets. Ensure that all connections are made prior to applying the high voltage to the probes. Do not leave the equipment unattended in this state. The maximum voltage that may be applied between the test probes is 150 volts AC or DC.*

Radio Interference Statements

This digital apparatus does not exceed the Class A limits for radio noise emissions from digital apparatus as set out in the radio interference regulations of the Canadian Department of Communications.

This equipment has been tested and found to comply with the limits for Class A digital device pursuant to part 15 of the Federal Communications Commission (FCC) rules. However, operation in close proximity to domestic communication equipment may cause interference. It is the responsibility of the user to avoid or correct this condition.

The Aston Martin Diagnostic System

The Aston Martin Diagnostic System is a new generation diagnostic tool which fulfils a number of functions in aiding the technician to quickly and accurately locate faults. The heart of the system is the Portable Diagnostic Unit, a lightweight powerful computer/measurement system providing a step-by-step user friendly interface for the technician.

PDU functions include:

Data Logger - The ability to monitor and record control module signals even whilst the vehicle is being driven.

On-Line Help - Containing detailed descriptions in the operation of the vehicles electronic components.

Vehicle Setup - The ability to setup various adjustable parameters to their optimum settings.

Diagnostic Trouble Codes - The ability to extract recorded fault information from the DB7's control modules.

Each of these functions is described in detail in the PDU Users Guide.

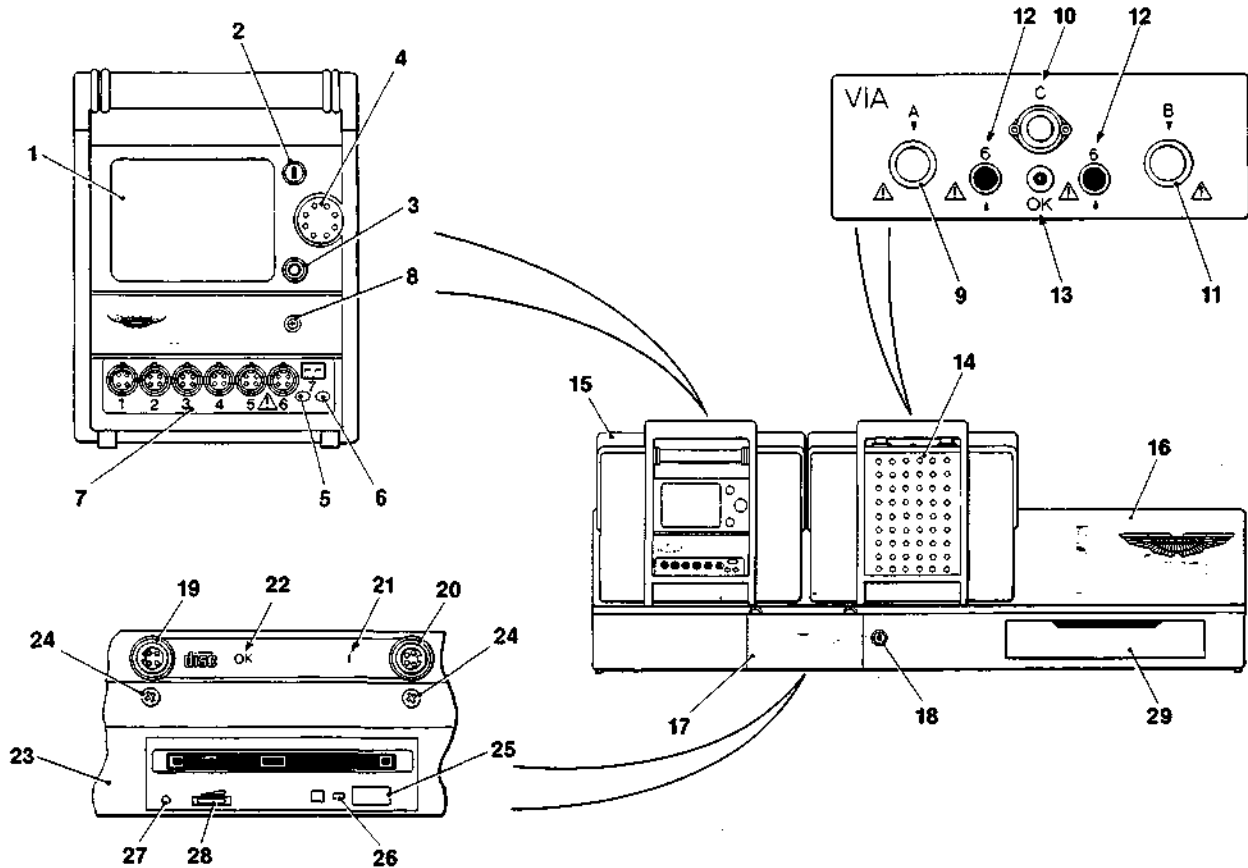


Figure 1. The Aston Martin Diagnostic System

Key to Figure 1

- | | |
|--|---|
| 1. LCD touch screen | 12. Connector for PDU cable |
| 2. Power on switch | 13. VIA status indicator |
| 3. Power off switch | 14. Vehicle Interface Adaptor (VIA) |
| 4. Screen contrast control | 15. Portable Diagnostic Unit (PDU) |
| 5. Battery charge indicator (Orange/Yellow) | 16. Base Station |
| 6. Power on indicator (Green) | 17. Base station door |
| 7. PDU interface connectors | 18. Base station door lock |
| 7.1. Black probe | 19. Charging and loading data connector |
| 7.2. Red probe | 20. Secondary charging connector |
| 7.3. Current clamp | 21. Power on indicator (Green) |
| 7.4. Pressure transducer | 22. Status Indicator (Red) |
| 7.5. Vehicle battery adaptor (VBA) | 23. CD-ROM drive |
| 7.6. VIA, base station, serial interface and system test | 24. Electronic module securing screws |
| 7.7. Temperature probe | 25. CD-ROM eject button |
| 8. Battery cover | 26. CD-ROM drive active light |
| 9. Connector A for vehicle cable | 27. Audio output (not used) |
| 10. VIA power input cable | 28. Audio level (not used) |
| 11. Connector B for vehicle cable | 29. Base station drawer. |

Component Identification

Base Station (Fig 1-16)

The Base Station is a wall or bench mounted steel unit on which up to two Portable Diagnostic Units and a Vehicle Interface Adaptor can be stored.

Portable Diagnostic Unit (PDU) (Fig 1-15)

The PDU is a hand held diagnostic tool utilising a touch sensitive screen and serial communications capability

Electronics Module

The Electronics Module is located behind the base station door (Fig 1-17) and facilitates the charging of the PDU battery. Also contained in the module is the CD-ROM drive (Fig 1-23) for the storage of all system software. The PDU must be connected to the electronic module whenever it is located on the base station.

Vehicle Interface Adaptor (VIA) (Fig 1-14)

The VIA enables the PDU to interface with vehicle systems not equipped with serial communications.

Vehicle Battery Adaptor (VBA)

The VBA provides the correct voltage to power the PDU from the vehicle battery and also protects the PDU from any interference from the vehicles electrical systems.

Controls

The Touching the Power On button (Fig 2-2) will switch on the unit and bring on the screen backlight. Also note that the Power On Indicator (Fig 2-6) will illuminate.

Touching the Power Off button (Fig 2-3) will turn off the unit, screen backlight and power on indicator.

The Touch Sensitive Screen (Fig 2-1) is used to display information in digital or in graphic forms. Program options are also displayed and may be selected by touching the appropriate area of the screen.

CAUTION: The use of sharp pointed implements will damage the touch sensitive screen. Use only light finger pressure to operate the PDU.

To adjust the screen contrast, rotate the contrast control (Fig 2-4) to the required position.

In order to preserve the battery charge, the power to the screen backlight is automatically switched off after 5 minutes of inactivity. In this state, the Power On indicator (Fig 2-6) remains illuminated to indicate that the PDU is in stand-by mode. Touching the screen will return the PDU to normal operating mode.

Diagnostic System Cables

Cables

The cables connecting the diagnostic system elements together and to the electronic units of the vehicle are identified in the following illustrations.

The cables should be stowed in the base station drawer or in the pockets of the PDU and VIA carrying cases.

CAUTION: Care must be taken when using the vehicle cables since they are capable of passing high currents. Short Circuits are a fire risk.

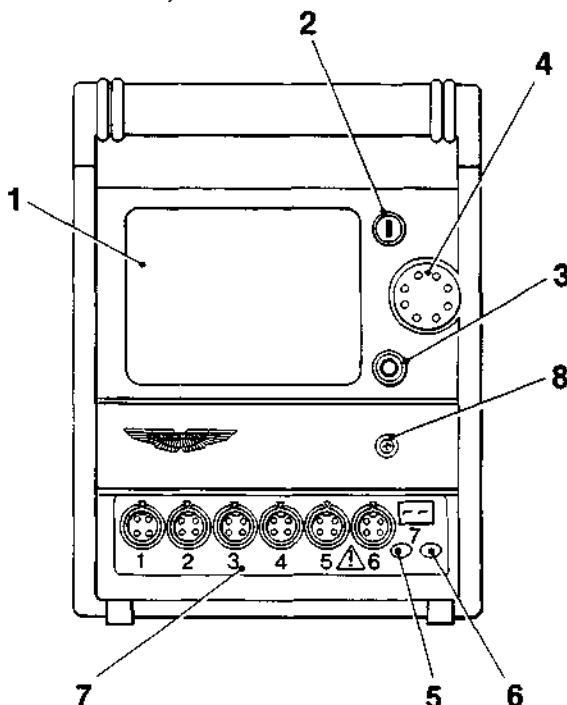
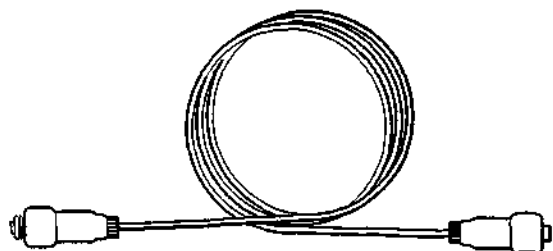


Figure 2. The Portable Diagnostic Unit

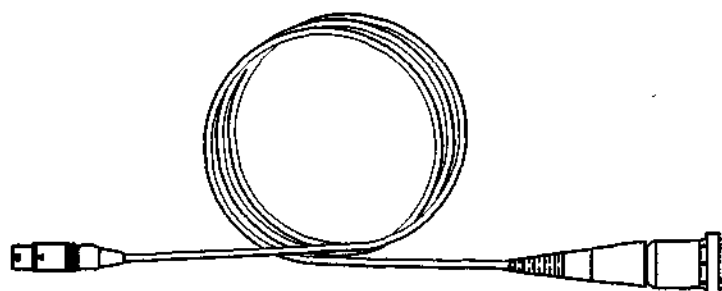
Diagnostic System Cables



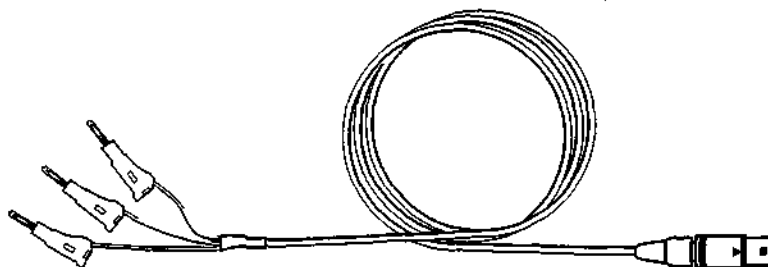
3130-0028-01 VIA-VBA Cable



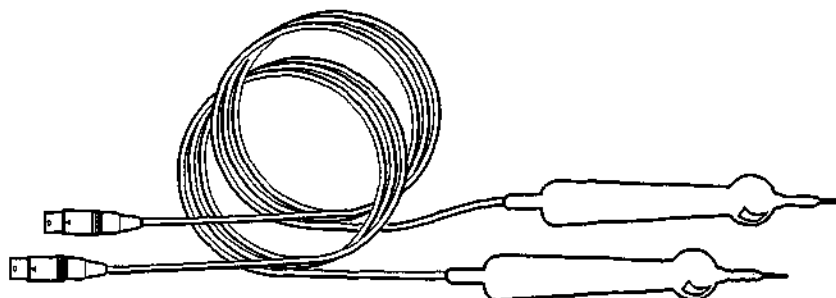
3130-0753-00
3130-0754-00
Red and Black Croc Clips



3130-0756-00 Transmission Test Cable



3130-0026-01 Scope and Self Test Adaptor Cable

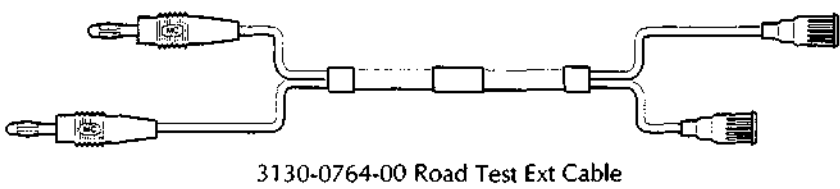
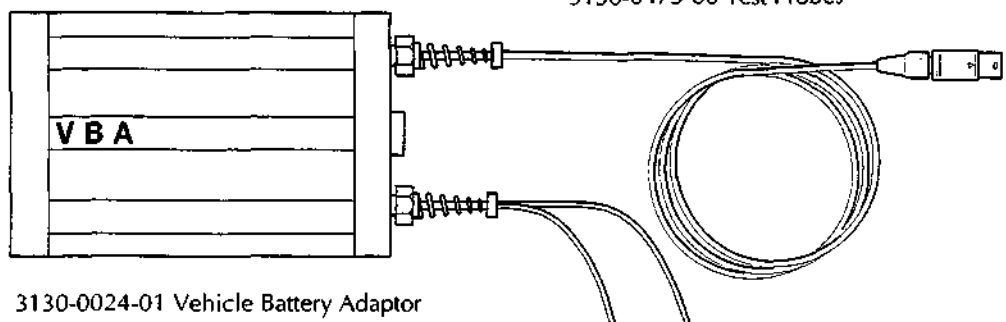
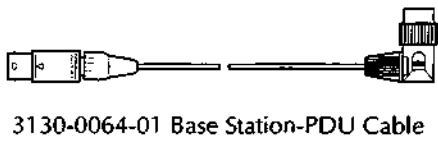
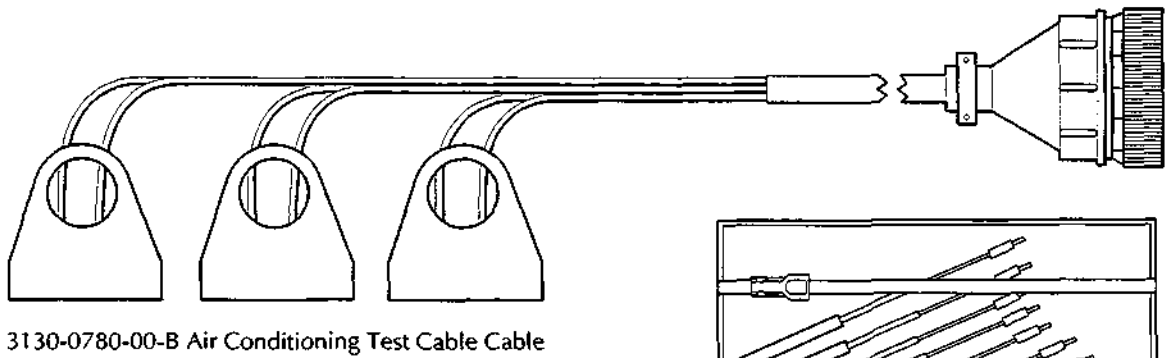
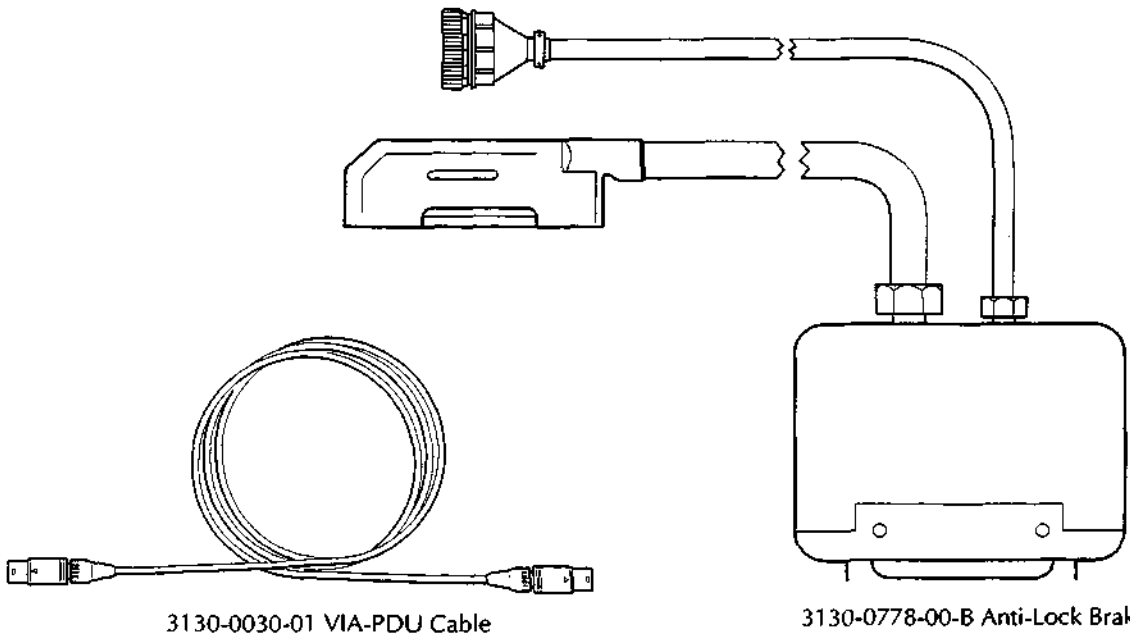


3130-022-01 Red Probe
3130-023-01 Black Probe

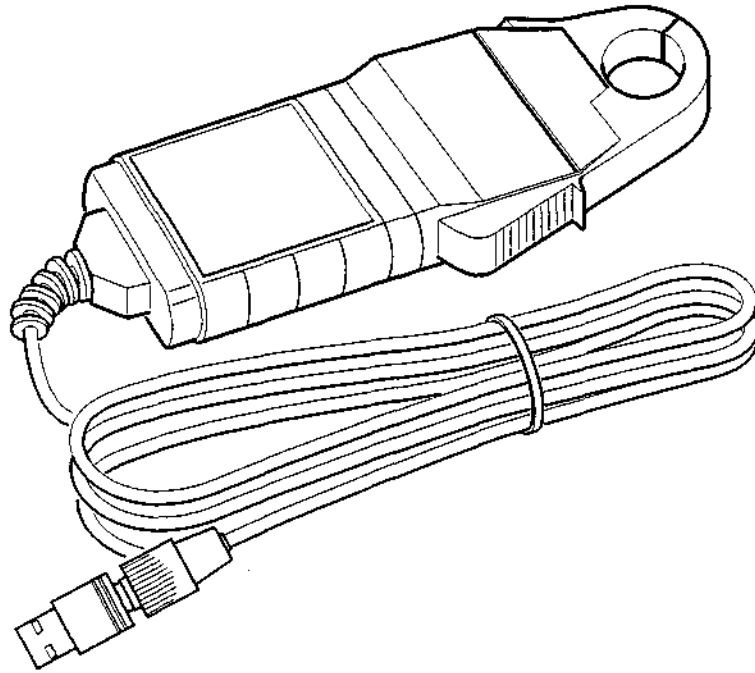


3130-1242-00 Aston Martin Protocol Adaptor

Diagnostic System Cables



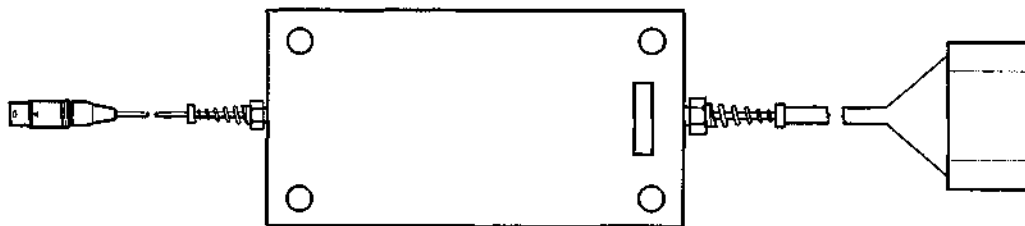
Diagnostic System Cables



3130-1213-01 Aston Martin Current Probe



3539-1169-02 Aston Martin Printer Lead



3538-0100-01 Aston Martin Multi Protocol Adaptor

Base Station Installation

It is recommended that the base station is wall mounted (Fig 3). Alternatively it may be mounted on a bench. The base station houses the CD-ROM drive and power supplies.

Note: The electronic module should only be fitted after the base station has been installed.

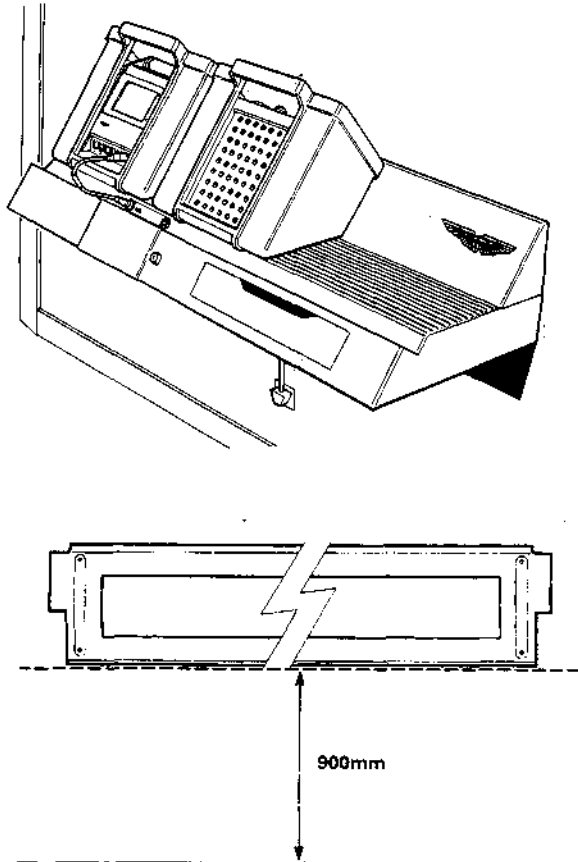


Figure 3. Wall Mounted installation

Wall Mounting

It is important that the following points be considered before carrying out the mounting procedure.

1. The location should be close to the vehicle repair bays. The base station will require a power outlet close by, such that the 2m mains lead will comfortably reach the outlet.
2. The wall plate should be attached with four fasteners, each of which has a minimum pull-out strength of 300 kg (662 lb). The four fasteners are not supplied, as the type of fastening will depend on the wall material. The mounting holes in the wall plate are 8mm diameter with a maximum clearance for a socket spanner of 30mm. It is recommended that 6mm diameter bolts are used to secure the wall plate.

WARNING: The mains power outlet must be close to the equipment and be clearly recognisable as the power source for safety reasons.

French Market Only: Do not connect the PDU equipment to IT (Impedante Terre) power systems.

WARNING: This equipment must be earthed via the mains lead through the outlet socket. In markets where three pin main power outlets are not available, a separate earth point must be used

Procedure

1. Select a suitable location.
2. Mark a horizontal line on the wall 900mm above the floor (Fig 3)
3. Remove the two screws securing the wall mounting plate to the base station and remove the wall mounting plate.
4. Hold the wall mounting plate up to the marked line and mark four hole positions for the wall mounting plate bolts.
5. Drill the wall to the correct diameter and depth required for the four bolts.
6. Securely fasten the wall mounting plate to the wall. Lift the base station onto the wall mounting plate, fit and tighten the two screws/washers to secure the base station to the mounting plate.

CAUTION: The gap beneath the base station should be maintained free from obstructions to allow a flow of air under the unit for cooling.

Bench Mounting

The base station may also be mounted on a bench, which must be in a safe position, stable and protected from hazards and impacts. The base station must be mounted at the back of the bench. 'Z' clips are provided for permanent mounting. The bench surface must be kept free from dust at all times.

CAUTION: A gap under the base station must be maintained free from obstructions to allow a flow of air under the unit for cooling.

Electronic Module Installation

WARNING: The base station electronic module must be disconnected from the mains supply prior to installation/removal from the base station assembly. **DO NOT** reconnect to the mains supply until the module is safely fitted into the base station. This unit must be earthed.

Note: Users in North America are advised to replace the ceramic mains fuse in the electronic module with the glass fuse supplied.

Procedure

1. Unlock the base station door.
2. Pull the right spring-loaded hinge (Fig 4-1) and remove the door.
3. Remove the electronics module from the packaging and place it on a firm surface.
4. Remove the two screws and washers from the front of the module (Fig 4-3).
5. Insert the mains power lead into the socket at the rear of the module (Fig 4-4), **DO NOT CONNECT TO THE MAINS SUPPLY.**
6. Insert the two guide pins on the sides of the module (Fig 4-5) into the base station slots.
7. Slide the module into the base station until fully home, raise the front so that it is level and draw it slightly forward.
8. The two connectors on the front of the module will appear through the matching holes in the base station. Support the module whilst refitting the two retaining screws and washers (Fig 4-6).
9. Secure the mains lead to the underside of the base station using the two cable ties provided (Fig 4-7).
10. If bench mounting, the base station will need to be turned on its back to install and secure the mains lead.
11. Refit the base station door.

CAUTION: Take care to avoid the sharp edges of the module whilst installing. Take care to support the module from the underside until the mounting screws are secured.

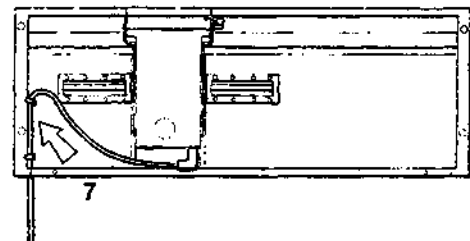
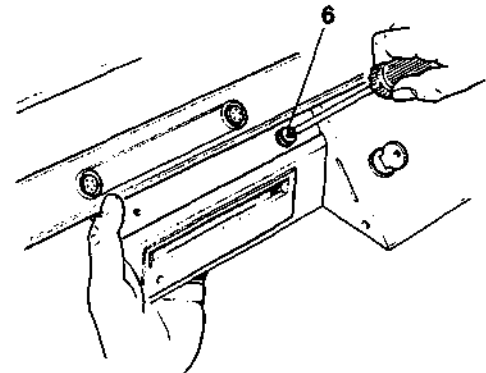
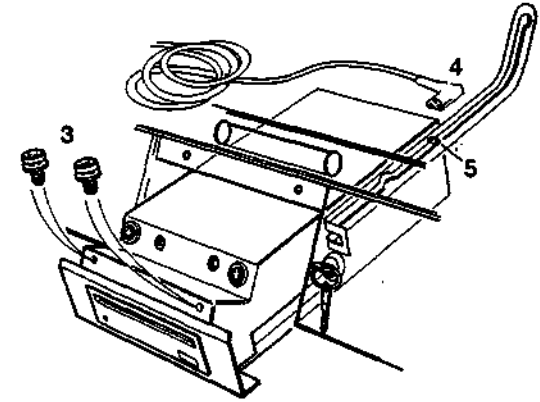
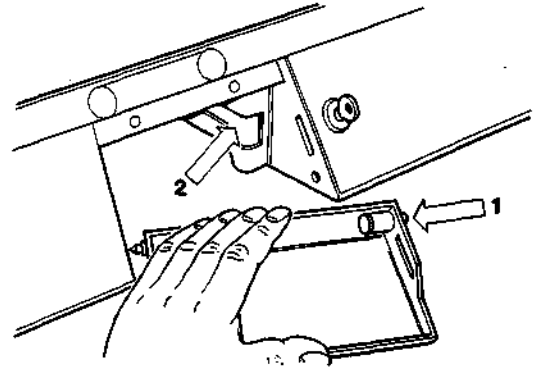


Figure 4. Electronic Module Installation

Powering-Up the Base Station

When first operating the System or when first using a PDU fitted with substitute batteries, it will take up to 36 hours to achieve full charge. In the meantime, the PDU can be used whilst connected to the base station or to the vehicle battery.

WARNINGS:

When using the system equipment, basic safety precautions should always be followed, including:

Carefully read and follow all instructions.

Care should be taken as burns can occur from touching hot parts.

Do not operate the appliance with a damaged mains lead or if the appliance has been dropped or damaged. Call your local GenRad Service Centre immediately for a substitute part.

Do not let the mains lead hang over the edge of the table, bench or counter or come into contact with hot manifolds or moving fan blades.

The Aston Martin Portable Diagnostic Unit is fitted with an auto switching power supply suitable for voltage supplies of 100 - 240 VAC 50 - 60 Hz. You need only check that the power cord connector is of the correct type for your power outlets.

1. Connect the mains lead to the mains outlet.
2. Check that the green indicator lamp above the base station door is illuminated. If the green lamp does not come on, see the problem solving section for advice.
3. After a few seconds, during which the electronics module completes its self-test, the red OK indicator lamp should illuminate. If the red lamp does not come on, see the problem solving section for advice.
4. Allow the base station electronics module to reach working temperature. This will take approximately 30 minutes, after which time the base station will be ready to accept the software on CD-ROM.
5. Slide the PDU into its carrying case and place the associated cables and probes in the carrying case compartments.

6. Place the carrying case onto the base station at the far left side (Fig 5). This is the normal place for charging the battery, loading software and storing the PDU. Note that it is retained by raised retaining blocks which fit inside the recesses under the carrying cases (Fig 5).
7. Remove the protective cover from the PDU interface panel socket (Fig 1-7.6)
8. Using the PDU to base station cable (0064) connect panel socket 6 to the base station left socket (Fig 1-19). The indicator lamp will glow orange during fast charge and yellow during trickle charging.
9. A second PDU can be fitted on the central position on the base station and may be connected to the right charging socket using a second cable (0064). Note that both units may be charged simultaneously but software may only be loaded from CD-ROM using the left base station socket.

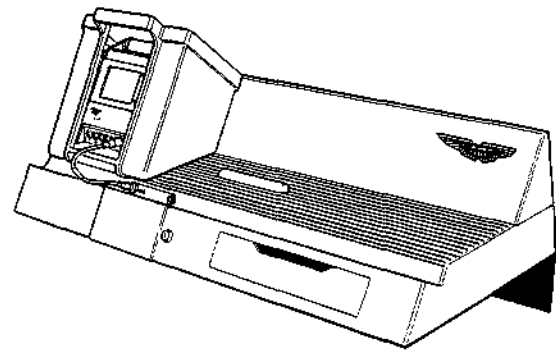


Figure 5. Normal PDU position

Installing the CD-ROM (Early Systems)

1. Ensure that your hands are clean before touching the CD-ROM disc, disc caddy, or the CD-ROM drive.
2. Open the base station door to gain access to the CD-ROM drive.
3. Open the CD caddy by squeezing the sides whilst lifting the hinged door upwards (Fig 6).
4. Handling the CD by the edges only, remove it from the protective sleeve and insert it into the caddy with the image side uppermost. Close the caddy door.
5. Insert the CD caddy into the CD drive in the base station. Close and lock the CD-ROM drive door. The base station is now ready for use.

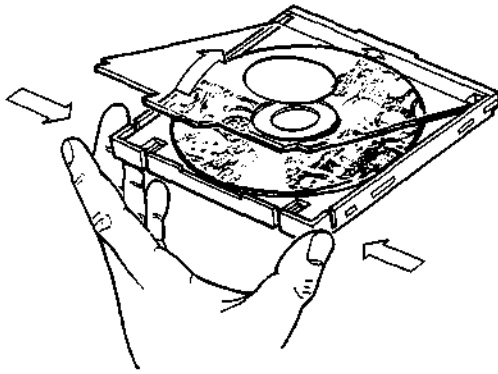


Figure 6. CD-ROM Installation (Early Systems)

Installing the CD-ROM (Later Systems)

Later PDU systems have an improved CD-ROM drive incorporating a tray loading mechanism for the CD-ROM disc.

1. Ensure that your hands are clean before touching the CD-ROM disc, or the CD-ROM drive.
2. Open the base station door to gain access to the CD-ROM drive.
3. Press the tray eject button on the CD-ROM drive (Fig 7). The tray will open automatically.
4. Remove the CD from its protective sleeve and place it on the tray with the image side uppermost.
5. Gently push on the tray and the motorised mechanism will start to retract the tray automatically. Alternatively, pressing the eject button will cause the tray to close.
6. Close and lock the CD-ROM drive door. The base station is now ready for use.

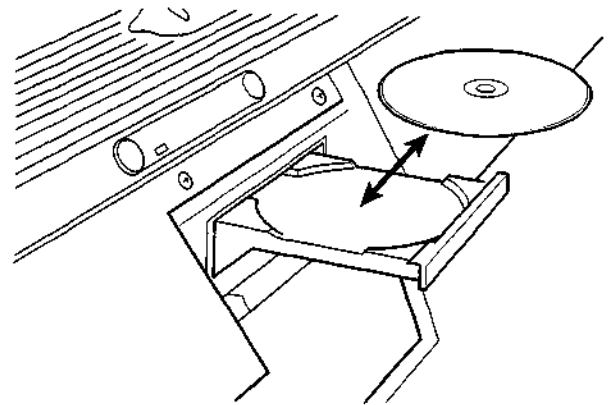


Figure 7. CD-ROM Installation (Later Systems)

Removing the CD-ROM (Early Systems)

1. Ensure that your hands are clean before touching the CD-ROM disc, disc caddy, or the CD-ROM drive.
2. Unlock and open the CD-ROM drive door.
3. Press the eject button on the CD-ROM drive (Fig 1-25).
4. After a short delay, the CD caddy will be ejected. Remove the caddy from the CD drive.
5. Open the caddy and remove the CD. Place the CD into its storage sleeve and store in the base station drawer (Fig 8).

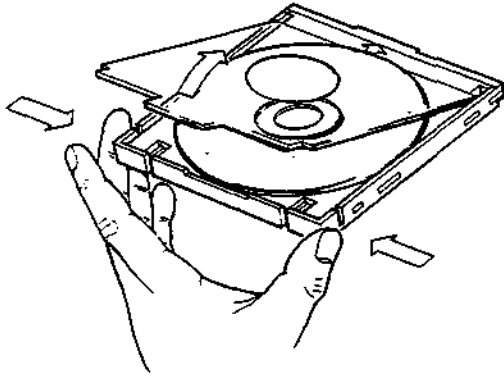


Figure 8. CD-ROM Removal (Early Systems)

Removing the CD-ROM (Later Systems)

1. Ensure that your hands are clean before touching the CD-ROM disc, or the CD-ROM drive.
2. Unlock and open the CD-ROM drive door.
3. Press the eject button on the CD-ROM drive (Fig 1-25).
4. The CD tray will open fully. Remove the CD from the tray.
5. Gently push on the tray or press the eject button again to close the motorised tray (Fig 9).

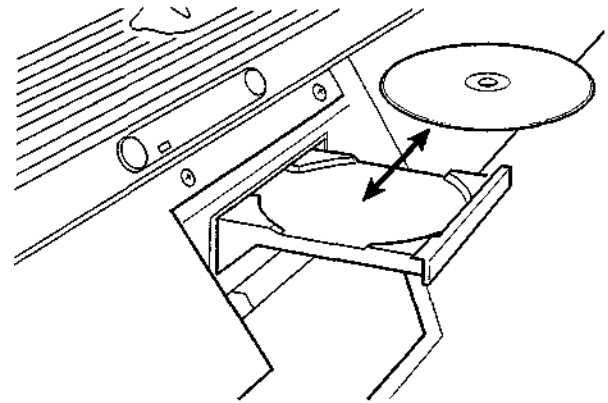


Figure 9. CD-ROM Removal (Later Systems)

Powering-Up the PDU

1. Install the CD-ROM.
2. Press the PDU power on switch (Fig 1-2). An audible tone will be heard and the green PDU power on indicator (Fig 1-6) will illuminate. The touch sensitive screen will also be activated. If this does not happen, see the problem solving section.
3. Adjust the contrast control (Fig 1-4).
4. When the PDU is switched on, it will perform an automatic self-check to test the internal components. On successful completion of the self-check, a PDU symbol will appear with a 'tick' next to it (Fig 10). The PDU will then display the language selection screen (Fig 11).
5. Select the required language and confirm the selection (Fig 11).

Note: PDU text is available in English, French, Italian, German and Japanese.
6. The PDU will then load its software from the CD-ROM and display the 'main menu' (Fig 12).
7. New users may select 'Training' and press the 'tick' icon to enter the on-screen PDU training programme.

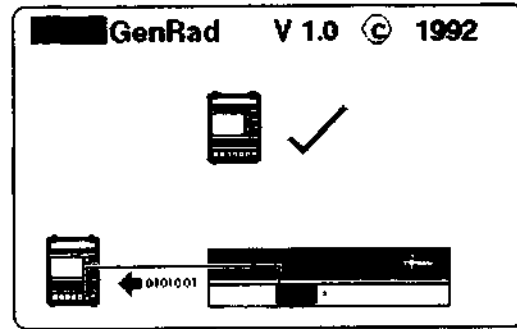


Figure 10. Self-check completed screen

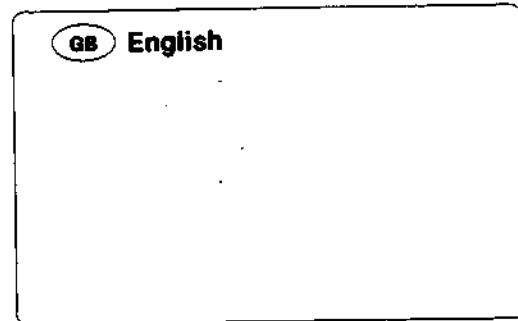


Figure 11. Language selection screen

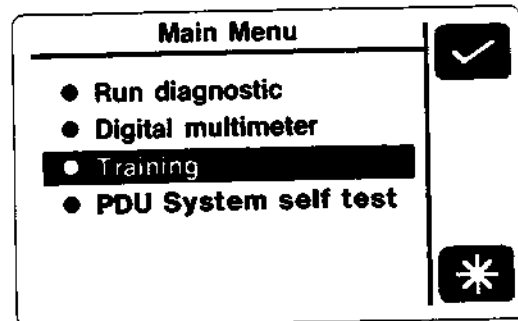


Figure 12. The main menu

Battery Charging

The PDU is fitted with internal NICAD batteries which allow the PDU to be transported whilst retaining programs. The batteries are not designed to be used as a general power source. A special circuit monitors the amount of charge in the batteries so that they cannot be overcharged.

From the time when first operating the system or a PDU fitted with substitute batteries, it will take up to 36 hours to achieve full charge. In the meantime, the PDU can be used whilst connected to the base station or to the vehicle battery. Keep transit times to and from the vehicle as short as reasonably possible to preserve battery charge.

Subsequent battery charges should take six to seven hours from fully discharged. The PDU must always be left connected to the base station when not in use in order to keep the batteries fully charged.

CAUTION: *The rechargeable NICAD batteries fitted to the PDU are of a special type and must only be replaced with GenRad approved parts. Do not substitute the batteries with any other type. Always dispose of old batteries in compliance with local recycling regulations. The procedure for changing the battery pack is described later in this installation guide.*

Operating Procedures

Refer to the Aston Martin Diagnostic System Users Guide for detail on each of the PDU software options

Selecting Diagnostics

1. Switch on the PDU, the main menu will be displayed.
2. Select 'Run Diagnostic' from the main menu and confirm the selection by pressing the 'tick' icon. A sequence of menus will be displayed requesting identification of the vehicle under test.
3. The system will load the appropriate software.
4. On completion of software loading, disconnect the PDU from the base station and transfer it in its carrying case to the vehicle. The additional pockets in the carrying case may be used for carrying any interface cables required.
5. If the VIA is required, also transfer it in its carrying case to the vehicle together with any vehicle interface cable required.

Using the PDU on the Vehicle

At the vehicle, the PDU may be removed from its carrying case if required. The PDU should always be connected to the vehicle using the Vehicle Battery Adaptor (VBA) (0024). The PDU will continue to charge from the vehicle battery.

Vehicle Battery Adaptor

This unit transforms battery voltage to the correct level for the PDU. The VBA (Fig 13) also contains electrical filters to protect the PDU from any voltage spikes or other interference from the vehicle which could affect PDU operation.

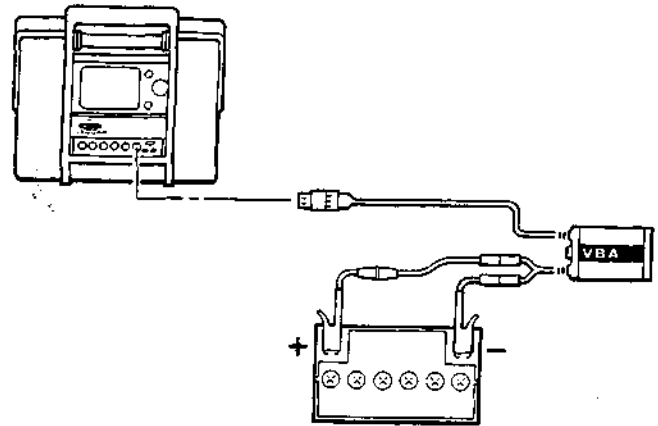


Figure 13. The vehicle battery adaptor

Vehicle Interface Adaptor

When the software requires the Vehicle Interface Adaptor to be used, it is powered from the vehicle battery (Fig 14). The Vehicle Battery Adaptor incorporates a socket into which the VIA to VBA cable (0028) is inserted. The opposite end of this cable is inserted into the connector on the VIA panel.

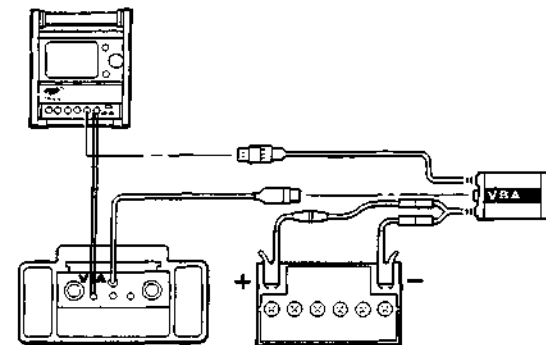


Figure 14. The vehicle interface adaptor

Finishing the Test

When data analysis is finished, switch off the PDU and disconnect it from the vehicle. Store the PDU and cables in the carrying case and refit the case to the base station.

Connect the PDU to the base station using cable 0064. The base station will keep the PDU batteries fully charged at all times (Fig 15).

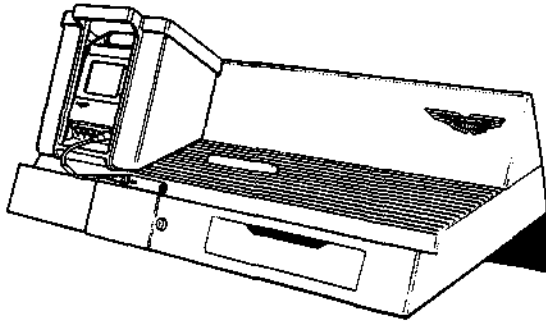


Figure 15. PDU connected for recharging

Care of the Equipment

CAUTION: *With the exception of those parts referred to in the Servicing and Maintenance section, there are no user serviceable parts. All servicing must be carried out by GenRad Service Centres.*

Switch off the power before cleaning the equipment. The Aston Martin Diagnostic System should only be cleaned using a non-abrasive, mild cleaning agent. Dust and other particles should be lightly brushed from the surface before cleaning. Cleaning agent should be applied to a soft lint-free cleaning cloth and never directly to the unit. Do not soak the cleaning cloth and take care not to allow cleaning fluid to enter connectors.

CAUTION: *If any liquid is spilt on the equipment, switch off immediately. Ensure that the equipment has dried out completely before operating it again, especially in connectors where fluid can lodge.*

Problem Solving

CAUTION: If any part of the system is damaged, do not use it. Call your local GenRad Service Centre immediately for a substitute part. Refer to 'Parts Ordering'.

CAUTION: With the exception of those parts referred to in the Servicing and Maintenance section, there are no user serviceable parts. All servicing must be carried out by GenRad Service Centres.

PDU Self-Test

The system self test routine should be run periodically even if there are no apparent problems with the system. Running the system self-test will identify any problems before they impact on productivity.

If it is suspected that the system is operating incorrectly, run the PDU system self test option on the main menu).

If the system self test will not run, or the PDU will not switch on, the instructions in this section must be followed carefully.

If one of the following test steps advises you to order or fit a new part, make a note of the test step, part number and description. Then follow the parts ordering procedure later in this section.

Step 1

Connect the mains power to the base station. Is the green base station indicator illuminated?

YES - Go to step 4

NO - Go to step 2

Step 2

Check the mains supply, then check the mains lead. Is the mains lead faulty?

YES - Renew the mains lead.

NO - Go to step 3

Step 3

Remove the electronic module from the base station.

Using a small screwdriver, open the fuse drawer below the power socket on the rear of the module (Fig 16). Remove the fuse and fit the spare fuse. The fuse must be IEC 127 approved ceramic type 250V 2A (T). Re-install the module into the base station, power up the system. Is the base station green indicator illuminated?

YES - The fuse was faulty

NO - Renew the electronic module (0019)

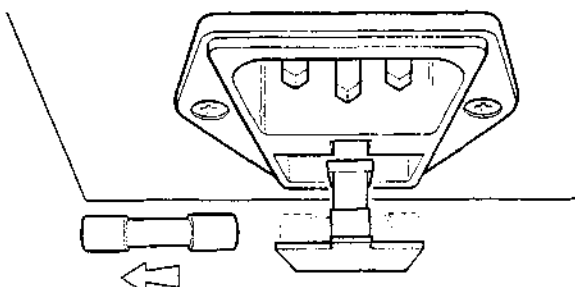


Figure 16. Electronic Module Fuse Replacement

Step 4

Connect the mains power to the base station. Is the base station red indicator illuminated?

YES - Go to step 5

NO - Renew the electronic module (0019)

Step 5

Switch off the PDU and disconnect all cables. Set up the PDU to charge from the left charge socket on the base station using one of the PDU to base station cables. Is the PDU charge indicator (Fig 1-5) illuminated.

YES - Go to step 9

NO - Go to step 6

Step 6

Set up the PDU to charge from the right socket on the base station using the same PDU to base station cable. Is the PDU charge indicator (Fig 1-5) illuminated.

YES - Go to step 8

NO - Go to step 7

Step 7

Using the VBA, connect the PDU to a charged vehicle battery. Is the PDU charge indicator illuminated?

YES - Go to step 8

NO - Renew the PDU (0017)

Step 8

Switch off the PDU and disconnect all cables. Connect the PDU to the base station left connector using the second PDU to base station cable (0064). Is the PDU charge indicator illuminated?

YES - The first PDU to base station cable (0064) is faulty, renew the cable.

NO - Renew the electronic module (0019).

Step 9

Switch on the PDU. Is the PDU power indicator (Fig 1-6) illuminated?

YES - Go to step 10.

NO - Renew the PDU (0017).

Step 10

Is the PDU touch screen illuminated?

YES - Go to step 12.

NO - Go to step 11.

Step 11

Adjust the contrast control. Is the PDU touch screen illuminated?

YES - Go to step 12

NO - Renew the PDU (0017)

Step 12

Observe the display screen. Is the screen displaying a PDU hard error symbol similar to that shown in Fig 17

YES - Note the number and refer to 'Parts Ordering'.

NO - Go to step 13

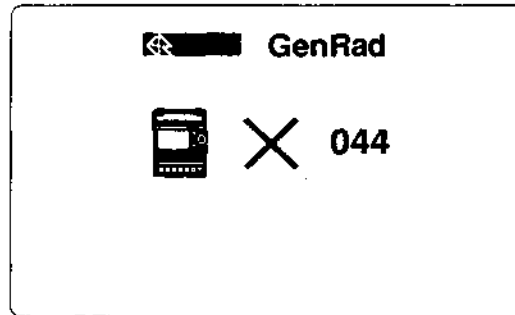


Figure 17. PDU hard error code

Step 13

Observe the screen display. Is the screen displaying the main menu (Fig 9)?

YES - Go to step 14

NO - Go to step 15

Step 14

Select the PDU system self test option and press the 'tick' icon. Does the screen respond?

YES - Go to step 15

NO - Renew the PDU (0017)

Step 15

Observe the display screen. Is the screen displaying the symbol shown in Fig 18?

YES - Connection problem, go to step 17

NO - Go to step 16

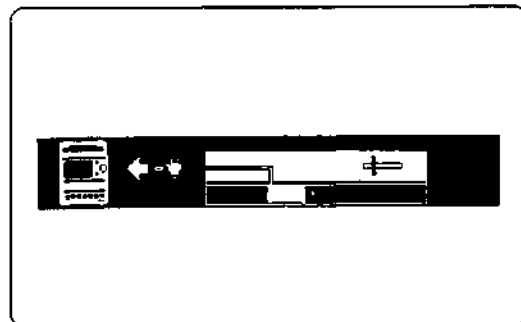


Figure 18. Communications blocked

Step 16

Observe the display screen. Is the screen displaying either of the symbols shown in Fig 19?

YES - Remove the CD caddy and check the CD-ROM. Re-install the CD-ROM. Go to step 13.

NO - Go to step 19

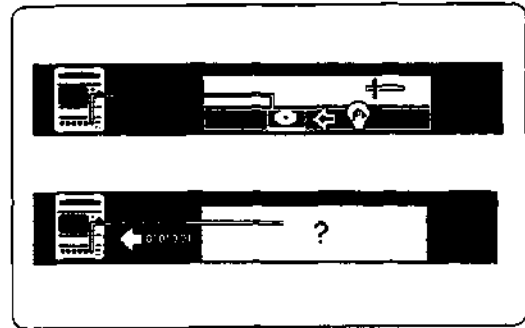


Figure 19. Reload the CD and retry

Step 17

Connect the PDU to the base station top left connector using the second PDU to base station cable (0064) (Fig 34). Is the screen displaying the symbol shown in Fig 15?

YES - Go to step 18

NO - The first PDU to base station cable is faulty, renew the cable (0064)

Step 18

Connect the PDU to the VIA using cable (0030) and connect the VIA to the VBA using cable (0028). Connect the VBA to a charged battery. Does the VIA panel indicator flash for more than 5 seconds after pressing the 'tick' icon.

YES - Renew the electronic module (0019)

NO - Renew the PDU (0017)

Step 19

Observe the screen display. Is the screen displaying the symbol shown in Fig 20?

YES - During the data transfer, the connection was lost. Check to see if the cable connections are intact, if not, reconnect and go back to step 13.

NO - Go to step 20

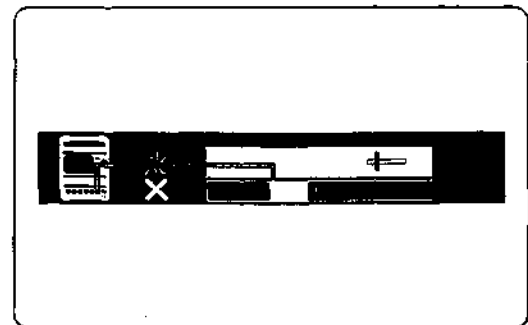


Figure 20. Data transfer connection lost

Step 20

Observe the screen display. Is the language selection screen displayed (Fig 21)?

YES - Try to select a language, go to step 21

NO - Call your local GenRad Service Centre for advice.

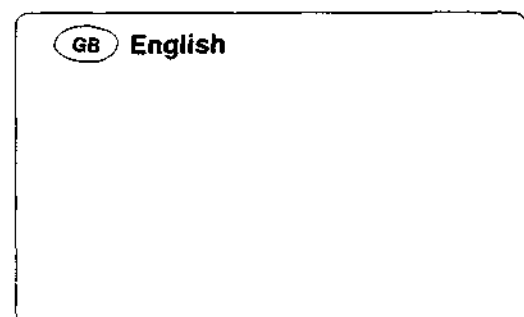


Figure 21. Language selection screen

Step 21

Observe the screen display. Is the system loading from the CD-ROM?

YES - Go to step 13.

NO - Renew the PDU (0017).

Parts Ordering

Before calling GenRad, it is essential that the system self test is run from the main menu. If the system self test will not run or the PDU does not switch on, follow the Problem Solving procedures.

The system self test option will identify any fault and display a fault code on the PDU screen. This fault code number must be recorded. When in contact with your local GenRad Service Centre, they will require this number in order to send the correct substitute parts.

Before calling the GenRad Service Centre, please have the following information available.

- Dealer Name and Address
- Name of the contact at that address
- PDU Serial Number (base station LHS - Fig 22)
- Fault Code, Component Name and Serial Number as given on the PDU screen during self test.

If the system self test will not run, GenRad will require the name and part number of the component identified during the Problem Solving Procedures.

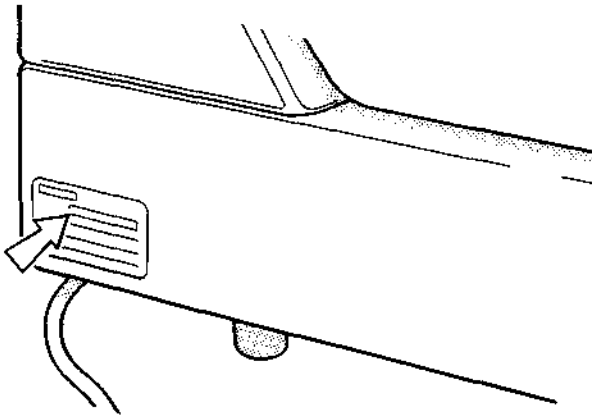


Figure 22. Diagnostic System Serial Number

Service Centres**UK and EIRE**

GenRad Limited, Horsefield Way, Bredbury Industrial Park, Bredbury, Stockport, Cheshire SK6 2SU, England

Telephone: 061-406-8209 Fax: 061-406-8480

Germany

GenRad GmbH, Neumarkter Strasse 83, 81673 München, Germany

Telephone: 01049-89-431990 Fax: 01049-89-43199101

Switzerland and Austria

GenRad AG, Drahzug Strasse 18, Postfach 8032, Zürich, Switzerland

Telephone: 010411-422-2420 Fax: 010411-422-2065

Italy

GenRad SPA, Via Fantoli 21/13, 20138 Milano, Italy

Telephone: 01039-2-502951 Fax: 01039-2-5063331

France, Spain and Portugal

GenRad Europe Paris, Succursale de GenRad Europe Limited, 6 Rue Vincent Van Cogh, 93364, Neuilly Plaisance Cedex, France.

Telephone: 01033-1-49442200 Fax: 01033-1-49442298

Sweden, Norway, Denmark and Finland

Lagercrantz Kontest AB, Kung Hans väg 3, Box 986, 191 29 Sollentuna, Sweden

Telephone: 01046-8-626-06-20 Fax: 01046-8-754-88-67

Netherlands, Belgium and Luxembourg

Multidata BV, Postbus 137, Bedrijvencentrum "De Baanderije", Parallelweg Zuid 33/1, 5280 AC Boztel, Netherlands

Telephone: 01031-4116-83775 Fax: 01031-4116-85359

USA and Canada

GenRad Inc, 300 Baker Avenue, Concord, Massachusetts, 1742, USA.

Telephone: 0101-508-369-4400 Fax: 0101-508-287-2011

Singapore, Taiwan, Hong Kong and Thailand

GenRad Inc, 73 Science Park Drive, Cintech Building #03-04, Singapore, Singapore 0511.

Telephone: 01065-2784400 Fax: 01065-7766422

Australia and New Zealand

Nilsen Instruments, 25-27 Paul Street North, North Ryde, New South Wales 2113, Australia.

Telephone: 01061-2-7362888 Fax: 01061-2-7363005

Japan

Tokyo Electron Limited, 2-30-7 Sumiyoshi-Cho, Fuchu City, Tokyo, Japan 183

Telephone: 01081-423-33-8377 Fax: 01081-423-33-8489

Warranty

The Aston Martin Diagnostic System is covered by a one year warranty. Should any of the electrical components fail during the warranty period, contact your local GenRad Service Centre for a replacement part. Note that the warranty does not include physical damage.

Spare Parts

Refer to the Aston Martin Diagnostic System Users Guide for a full parts list. All spare parts should be obtained from your local GenRad Service Centre who can advise you on current prices.

Servicing and Maintenance

CAUTION: *With the exception of those parts listed in this section, there are no user serviceable parts within the system. All servicing must be carried out by GenRad Service Centres.*

Battery Testing.

The NICAD batteries fitted in the PDU are designed to be rechargeable and should normally last through many recharge cycles. Battery life of three to five years can be expected. The capacity of new batteries improves after several charging cycles. After extended use, they may require renewing. The following procedure will assist you to determine when renewal is required. Do not use this procedure with new batteries or with a new PDU.

Testing Procedure

1. Remove all cables from the PDU.
2. Switch the PDU on and leave it until it switches off (the power on indicator will extinguish)
3. Connect the PDU to the base station for at least 12 hours charging.
4. Remove all cables from the PDU, switch on the PDU and start timing.
5. If the PDU switches off in less than 30 minutes, the batteries should be renewed.

Changing the Battery Pack

CAUTION: *Always read and follow safety warnings and instructions printed on the equipment. The rechargeable NICAD batteries fitted to the PDU are of a special type. They must only be substituted by GenRad approved parts. Do not substitute the batteries with any other type. Always dispose of old batteries in compliance with local recycling regulations.*

Battery Changing Procedure

A spare battery pack kit (0975) is available from your local GenRad Service Centre.

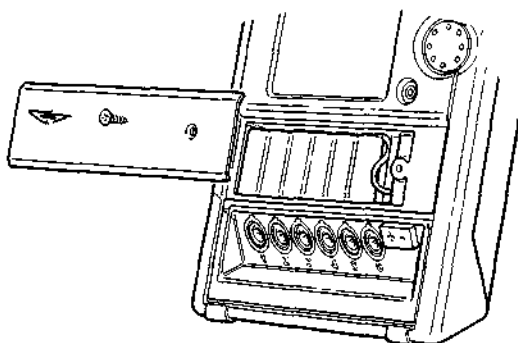


Figure 23. Battery cover screw

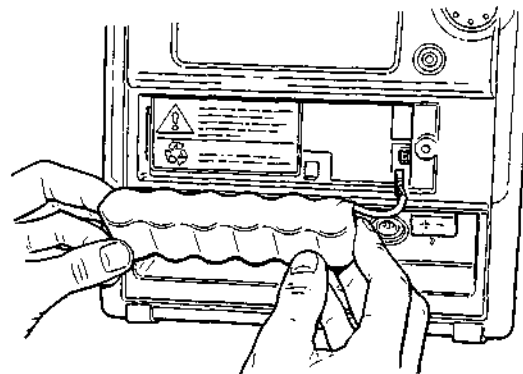


Figure 24. Battery pack

1. Switch off the PDU and remove all cables.
2. Remove the cover screw (Fig 23) and remove the cover.
3. If damaged, remove the old foam gasket from the cover and replace with the new one supplied.
4. Note the orientation of the connector. Disconnect the connector and remove the old battery pack.
5. Fit and connect the new battery pack (Fig 24) with the black cable towards the touch screen.
6. Refit the cover and cover screw.
7. Refer to the Battery Charging instructions for recharging times.

Changing the Dust Filter

The electronic module has a dust filter fitted to the underside of the module. Every three months a new filter will be supplied. To change the filter, proceed as follows:

1. Switch off the mains supply and pull out the old filter (Fig 25).
2. Feed in the new filter with the blue side facing in, pushing it well into the corners of the holder.
3. Switch on the mains supply.

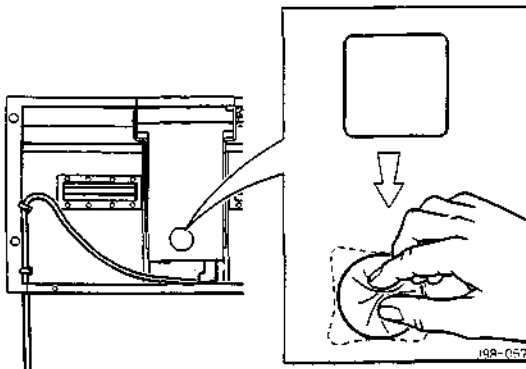


Figure 25. Dust filter replacement

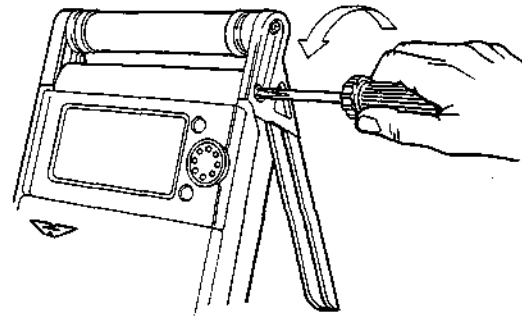


Figure 26. Support arm adjustment

Support Arm Adjustment

Periodically the support arm mechanism may require adjustment.

1. Remove the cross head arm fixing screw.
2. Using a suitable screwdriver, turn the tensioning screw (Fig 26) anti-clockwise half a turn.
3. Refit the leg fixing screw and repeat the operation on the opposite side.
4. Check that the arm tension is enough to support the weight of the PDU without movement.

VIA Carrying Case

The VIA unit (0018) is secured into its carrying case with two fixing screws from the underside of the case. If a new VIA is required, remove the two fixing screws and lift the VIA from the carrying case. Return only the VIA for replacement, do not return the carrying case.

New CD-ROM Releases

The latest version of the Aston Martin Diagnostic System software will be supplied with the system. When necessary, new releases of software will be issued by mail to each user of the system. Immediately fit the new CD-ROM to the disc caddy, retaining the old CD in its protective case as a backup. The new software should be loaded at the next use of the PDU.

In order to identify the revision level of the software, the version number is included on the disc.

e.g. DB7 PDU 001 is version 001 of the DB7 PDU software.

Technical Specifications

Electronics Module

Voltage Supply	100-240 VAC
Frequency	50-60 Hz
Current Consumption	1.0-0.5 Amp
Operating Temperature	0 - 45°C
Operating Humidity	15 - 85% non-condensing

PDU and VIA

Voltage Supply	12 VDC
PDU Current Consumption	2.5 Amp
VIA Current Consumption	6.5 Amp
Operating Temperature	0 - 50°C
Operating Humidity	95% max non-condensing 12 hours
Storage Humidity	60% RH max non-condensing 1000 hours
Storage Temperature	-20°C to 70°C

Weights

Base Station	20.5 kg (45.2 lb)
Electronic Module	3.7 kg (8.16 lb)
PDU	3.7 kg (8.16 lb)
Carrying Case	2.0 kg (4.4 lb)
VIA	4.3 kg (9.48 lb)

Statement of Calibration

Product Range Aston Martin Diagnostic System
Product Type Portable Diagnostic Unit
Product Number 3130-0017

We certify that the above product has been tested and found to conform to the product specification, prior to dispatch from GenRad. The measurements performed by this equipment are traceable to international measurement standards. Calibration records, including the date of calibration and the serial numbers of the measurement instruments are maintained by GenRad and are traceable through the PDU System serial number.

NOTE: The PDU will not require any periodic adjustment in order to maintain specified measurement accuracy.

Calibration Measurements

Ambient temperature during calibration $20 \pm 1^\circ\text{C}$.

The test resistances in the table below are applied between the red and black probes. The PDU is set to measure resistance between these probes using the DMM function. The PDU reading must be between the limits shown.

Test Resistance	PDU Reading Limits
10 Ω	9.84 Ω - 10.16 Ω
10M Ω	8.22M Ω - 11.78M Ω

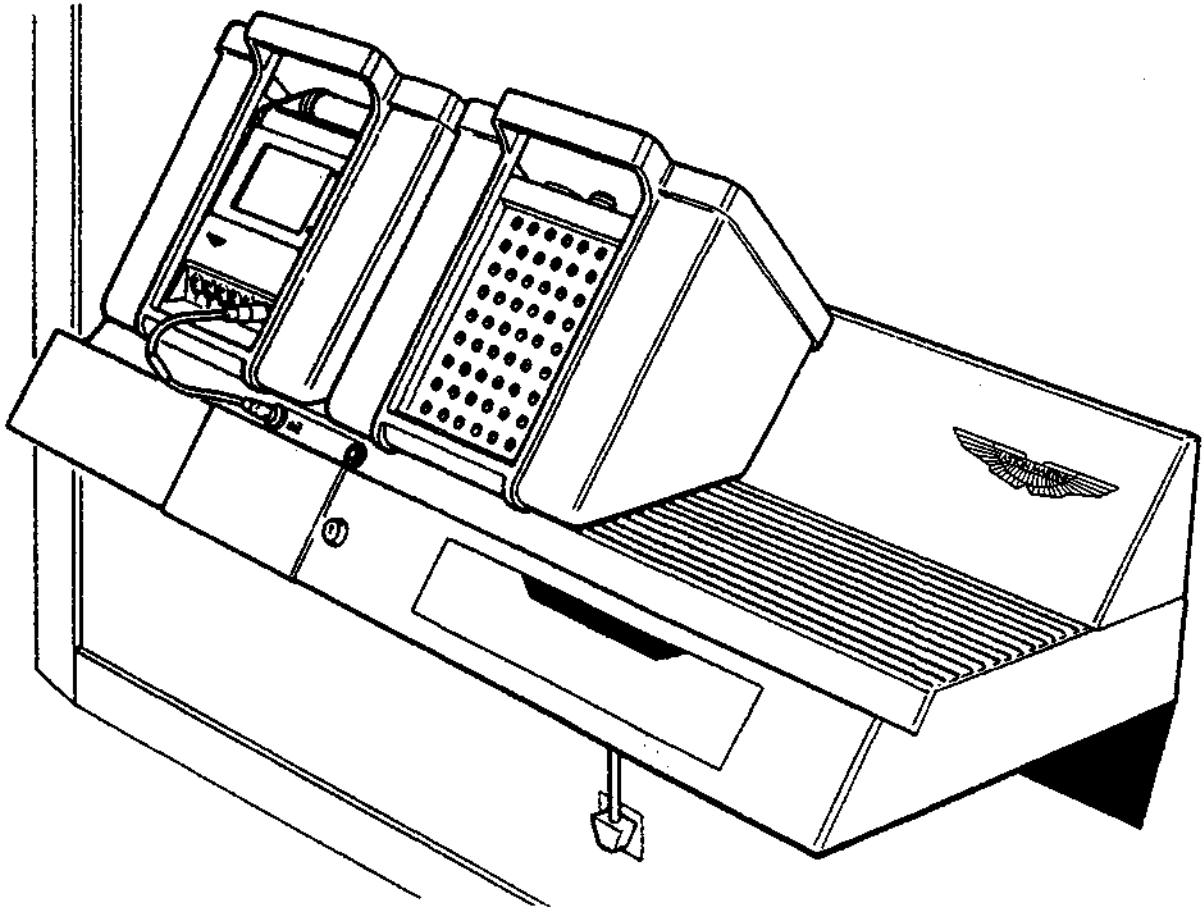
The test voltages in the table below are applied between the red and black probes. The PDU is set to measure voltage between these probes using the DMM function. The PDU reading must be between the limits shown.

Test Voltage	PDU Reading Limits
50mV	48mV - 52mV
100mV	98mV - 102mV
160mV	157mV - 163mV
350mV	345mV - 355mV
720mV	712mV - 728mV
1.45V	1.43V - 1.47V
2.90V	2.86V - 2.94V
7.25V	7.17V - 7.33V
14.5V	14.35V - 14.65V
29V	28.7V - 29.3V
49V	48.5V - 49.5V
98V	97.0V - 99.0V
175V	173.7V - 176.3V



The Aston Martin Lagonda Diagnostic System

The Aston Martin Lagonda Diagnostic System fulfils a number of functions in aiding the technician to quickly and accurately locate faults. The heart of the system is the Portable Diagnostic Unit (PDU), a lightweight powerful computer/measurement system providing a step-by-step user friendly interface for the technician.



PDU Functions

The PDU main menu provides access into the following functions:

- Diagnostics
- Training
- Digital Multimeter
- User Self Test

Diagnostics

On selecting 'Diagnostics' from the main menu, the user will be prompted to enter the features and market specification of the vehicle to be tested. Use of the diagnostics in each of the above areas is described later in this guide.

Diagnostics Menu - 95 Model Year

- Engine
- Anti-Lock Braking System
- Transmission
- Climate Control

Diagnostics Menu - 97 Model Year

- Engine Diagnostics
- OB2 II Scan Tool
- Airbag
- Seat Belt Pretensioner
- Engine Datalogger
- Climate Control
- PATS System
- Transmission
- Anti-Lock Braking System
- Security

Digital Multimeter

The Digital Multimeter function provides the capability to measure voltage, current, resistance, frequency, pulse width, pulse period, and duty cycle. These measurements are usually made using the PDU measurement probes. Measurements may also be made using the module pin selection function on the Teves Mk II braking system and on the Air Conditioning system.

Training

An on-screen programme is provided to train new users in the use of screen icons and in the use of the digital multimeter and datalogger functions.

User Self Test

In order to prove that the equipment is functioning correctly, a complete user self test is incorporated. The user is directed to test the PDU and then to progressively connect each part of the PDU system which will be tested by the software. Any fault identified during the test is notified to the user. If no faults are identified, the user is advised on the correct functioning of the system.

PDU Power

Power for the PDU is supplied via an internal rechargeable battery pack which can keep the PDU operational for approximately one hour when disconnected from the base station and the vehicle. In order to preserve PDU battery charge, power to the screen backlight is automatically cut after five minutes of inactivity. The power ON indicator remains lit, indicating that the PDU is in 'stand-by' mode. One touch of the screen will restore backlight power.

When connected to the base station, power is supplied to the PDU from the Electronic Module to recharge the PDU battery pack as necessary.

On 95 MY vehicles, the Vehicle Battery Adaptor (VBA) is used to maintain PDU power.

On 97 MY vehicles, when connected via the MPA to either diagnostic socket on the vehicle, power is supplied via pin 4 (chassis ground) and pin 16 (battery power) to maintain PDU power at all times even when the vehicle ignition is switched off.

On all model years, when connected to the air conditioning system using the VIA, the vehicle battery adaptor (VBA) must also be used to maintain PDU power.

Software

Software for the PDU system is supplied on CD ROM discs and supports diagnosis on the following control units:

- Zytek Engine Management System (95 MY)
- EEC-V Engine Management System (97 MY)
- GM 4L80-E Transmission Controller
- PATS - Passive Anti Theft System
- Teves Mk II ABS System (95 MY)
- Teves Mk IV ABS System (97 MY)
- Valeo Air Conditioning System
- FMC Airbag System
- Megamos Security System
- Autoliv Drivers Seat Belt Pretensioner (where fitted)

All of these systems are supported in English, French, Italian, German and Japanese.

In addition to the specific system software listed above, the PDU is also equipped with general purpose software to provides multimeter, printing and PDU training options.

Software for 95 and 97 Model Year Vehicles

Software for both the 95 and 97 model year vehicles is provided.

The PDU system requires a Vehicle Interface Adaptor (VIA) to communicate with the control units of 95 model year vehicles.

Communication with 97 model year control units is principally via an Aston Martin multi-protocol adaptor to 2 inbuilt diagnostic sockets in the vehicle. Only the air conditioning unit requires the VIA on 97 model year vehicles.

If the multimeter function is used, the Vehicle Battery Adaptor (VBA) will be required to provide the basic supply and ground levels for the multimeter.

Software Loading and Selection

Ensure that the system is powered up and that the PDU is correctly connected to the base station. Check and if necessary load the DB7 software CD Revision 002. (see the installation guide)

Switch 'on' the PDU which will run through two front screens and then load the following initial PDU software.

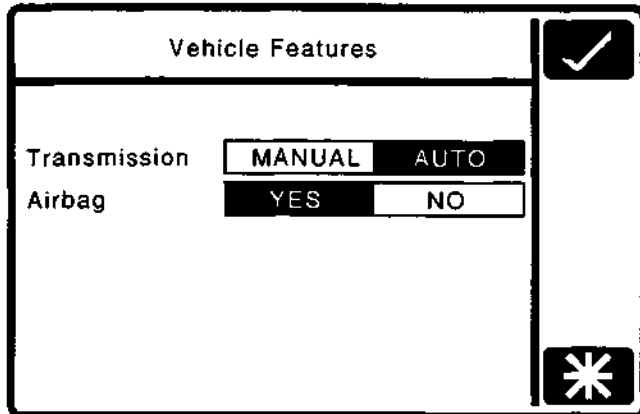
- Operating System
- Main Menu
- Selector
- Digital Multimeter
- Interactive Training

Vehicle Features

The vehicle features screen illustrated below is used to identify the vehicle particulars and the model year.

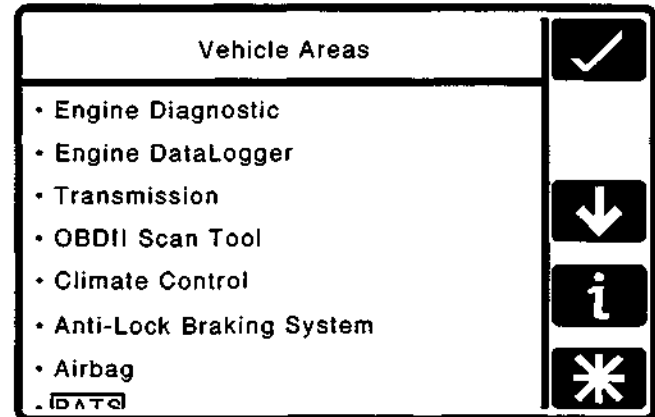
If Airbag - NO is selected, the vehicle is assumed to be 95 model year.

If Airbag - YES is selected, 97 model year is assumed. On completing entries in the vehicle features screen, the appropriate vehicle area screen will be displayed.



Vehicle Area

This screen allows selection of the vehicle system to be accessed. Only 4 systems may be accessed on 95 model year vehicles, on 97 model year cars, 8 systems may be accessed as follows:



95 model year software

- Zytec Engine Management
- GM 4L80-E Transmission Controller
- Teves Mk II Anti-Lock Braking System
- Valeo Air Conditioning

97 model year software

- EEC-V Engine Management
- GM 4L80-E Transmission Controller with OBDII
- Teves Mk IV Anti-Lock Braking System
- Valeo Air Conditioning
- PATS Engine Immobiliser
- Megamos security system
- FMC Airbag system
- Autoliv seatbelt pretensioner

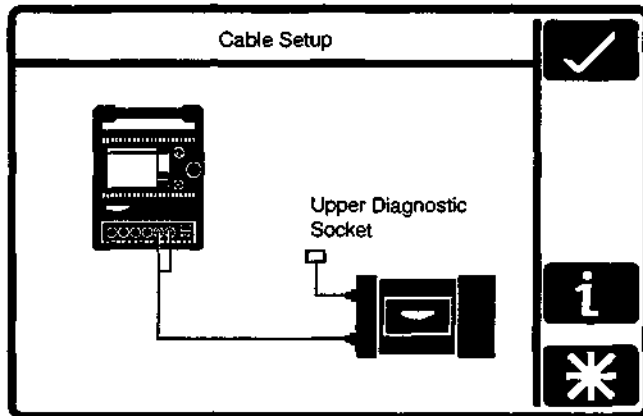
Cable Setup - 95 MY

On selecting the required vehicle area, the selected software will be loaded and then the Cable Setup screen will appear.

Connections will be shown directly to the selected control unit on 95 model year vehicles using the vehicle interface adaptor (VIA) and appropriate cables from the PDU kit. Select the specified interface devices and cables from the PDU kit and connect as shown in the diagram.

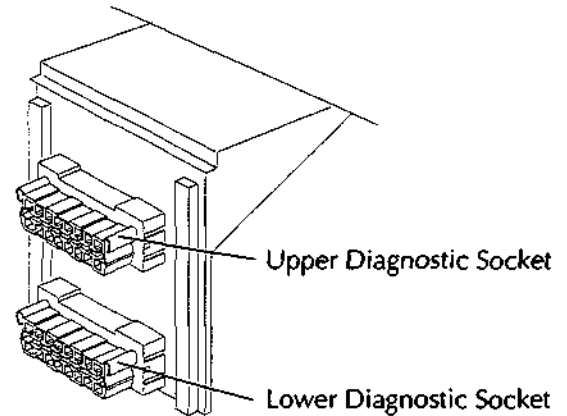
Cable Setup - 97 MY

On 97 model year vehicles, connections to the vehicle are made via the Aston Martin Multi-Protocol Adaptor and two diagnostic sockets for most vehicle systems.



Diagnostic Sockets - 97 MY

The diagnostic sockets are located behind the passenger side underscuttle panel.



The sockets are mounted on a bracket and labelled Upper and Lower. The following lists describe the systems accessed from each socket.

Upper Diagnostic Socket

- Transmission Control Module (TCM)
- Megamos Security System
- FMC Airbag System
- Teves Mk IV Anti-Lock Braking System

Lower Diagnostic Socket

- EEC V Powertrain Control Module (PCM)
- PATS Passive Anti-Theft System
- Autoliv Seatbelt Pretensioner System

Air Conditioning Diagnostics

The Valeo air-conditioning system uses a unique communications protocol and therefore the vehicle interface adaptor (VIA) is required and is connected directly to the air-con CPU in order to carry out diagnostics work on the system.

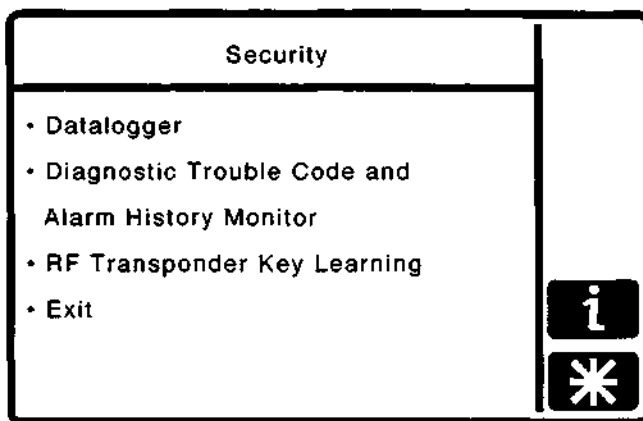
Establishing Communications

When cable connections are completed, switch on the vehicle ignition. The electronic control units will 'wake up' and communication between the selected control unit and the PDU will be established.

As communication is established with the selected system, a system menu similar to that below will be displayed.

System Menu Selections

The options for each vehicle system are described in detail on the following pages but menu entries fall into the following general areas:



Datalogger

The Datalogger function is described in detail using a worked example at the end of this PDU Users Guide.

Diagnostic Trouble Codes

This application enables the PDU to monitor selected control module trouble codes and provides the following functions:

- Decode and display any trouble codes logged by the control module being monitored.
- When supported by the module, decode and display enhanced trouble codes, together with any count of the number of occurrences
- Clear all of the trouble codes and freeze frame data logged in the control module.
- Monitor other data such as the alarm history in this example.

Note: The 95 model year Zytec engine management system permits clearing of individual trouble codes selected by the technician on the PDU.

System Specific Tests

These menu entries cover special tests required to program or test system specific features. The following are examples of tests provided:

Engine	KOEO and KOER tests OBDII Readiness test Output State Control test Throttle Potentiometer track test
PATS	Ignition Key Learn Menu
Security	Remote Transmitter Key Learn Tests Special Functions Programming

Exit

Selecting and then confirming the exit option will return the PDU to the Main Menu.

PDU Use

In the following pages, the use of the PDU on each vehicle system is described.

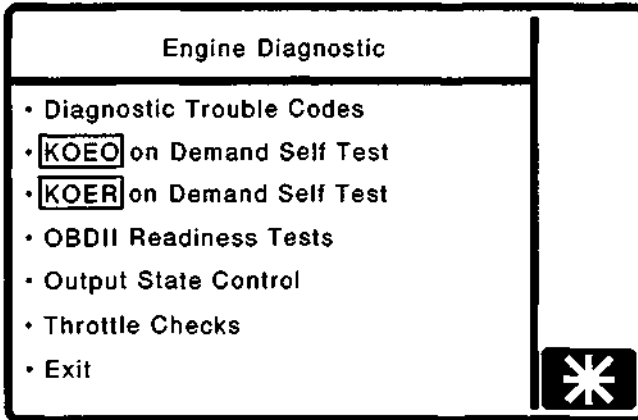
- Engine Diagnostics
- Transmission Diagnostics
- Climate Control Diagnostics
- Anti-Lock Brakes Diagnostics
- Passive Anti-Theft (PATS) Diagnostics
- Security System Diagnostics
- Airbag Diagnostics
- Seat Belt Pretensioner Diagnostics

After these system specific descriptions, the following general purpose functions are described:

- Datalogger
- Digital Multi-Meter
- Diagnostic Trouble Codes
- Printing
- Training
- OBD II Scan Tool
- User Self-Test

Engine Diagnostics - 97 MY

Selecting Engine Diagnostics from the Vehicle Area screen brings up the following Engine Diagnostics Screen.



Diagnostic Trouble Codes (DTCs)

On selecting Diagnostic Trouble Codes, the PCM memory will be scanned and any recorded DTCs will be decoded and displayed.

The engine and transmission DTCs are integral to the On Board Diagnostics (OBD II) system and are fully described in the DB7 OBD II Diagnostics Manual.

Before attempting to clear the logged DTCs, record all logged DTCs for use in subsequent fault analysis.

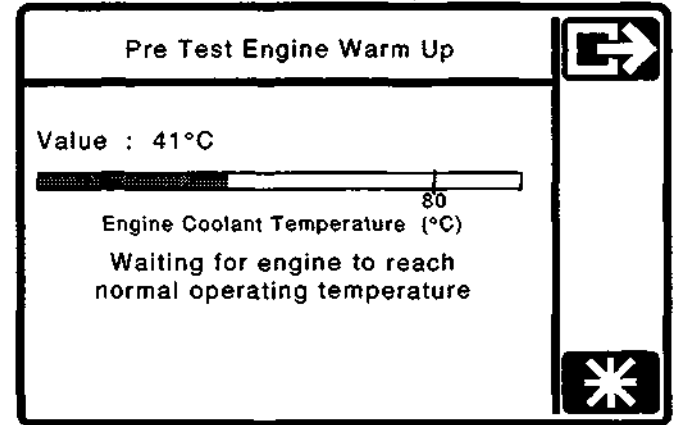
All logged DTCs may be cleared by selecting the EEC-V EMS DTCs title. This will bring up the Clear (C) icon which may be selected and confirmed to clear all logged DTCs.

Note that on clearing all logged DTCs you will also clear the associated timers, counters and fault history files (and extinguish the engine management warning light for North American vehicles). The OBD II readiness test status will also clear down and a P1000 (OBD II readiness test incomplete) trouble code will be set. A full drive cycle (see DB7 OBD II Diagnostics Manual) must be completed to clear the P1000 code if required. The P1000 code will clear automatically after some miles of driving when all required tests have satisfactorily completed.

Caution: If a transmission code is logged in the PCM, the TCM DTCs must be cleared first and then clear the PCM DTCs. If the PCM DTCs are cleared without clearing the TCM, the TCM code will immediately reset in the PCM when power is restored.

Key On Engine Off (KOEO) and Key On Engine Running (KOER) On Demand Self Tests

Before either the KOEO or KOER test will run, the engine coolant temperature must be in excess of 80°C. Select and confirm either the KOEO or KOER test. If the coolant temperature is too low, the Pre Test Engine Warm Up screen will appear. Start the engine and run until coolant temperature is at 80+°C.



KOEO Test

As coolant temperature rises through the 80°C level, the technician will be requested to turn the ignition off and then on again. The KOEO test will then commence. Static inputs to the PCM will be checked and any faults detected will be recorded and displayed as DTCs. If any DTCs other than P1000 are logged, go to the OBD II Diagnostics Manual and resolve the concern(s) using the OBD II diagnostic procedures.

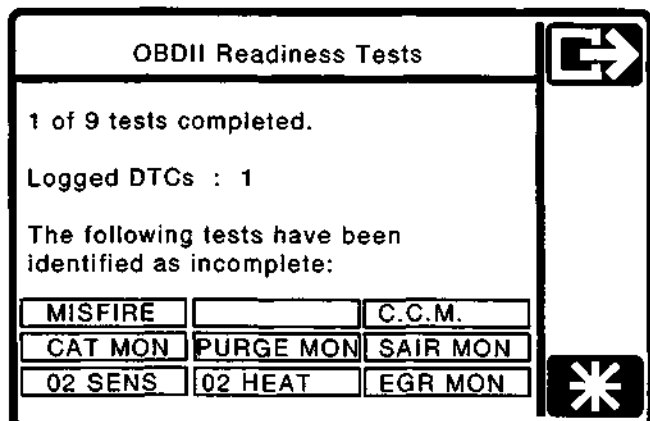
KOER Test

If coolant temperature level is below 80°C, the technician will be prompted to start and run the engine until coolant temperature rises above 80°C. As the temperature passes the 80°C level, the KOER test will commence automatically.

If coolant temperature is above the 80°C level, the technician will be requested to start the engine. The KOER test will commence as the engine is started. Dynamic inputs to the PCM will be checked and any faults detected will be recorded and displayed as DTCs. If any DTCs other than P1000 are logged, go to the OBD II Diagnostics Manual and resolve the problem(s) using the OBD II diagnostic procedures.

OBD II Readiness Test Monitor - 97 MY

Selecting OBD II Readiness Tests will bring up the following screen.



This software monitors the status of all significant components and parameters required to control vehicle emissions. When the tests are satisfactorily completed, the test boxes will be empty and the P1000 status code will be removed from the DTC list.

If any problem is detected, the tests will be terminated and the status will be shown as on the screen above e.g.: 1 of 9 tests completed, Logged DTCs : 1

Incomplete test titles will remain in the screen boxes. Completed test titles are deleted from the screen boxes.

Details of any trouble codes may be accessed using the Diagnostic Trouble Code function.

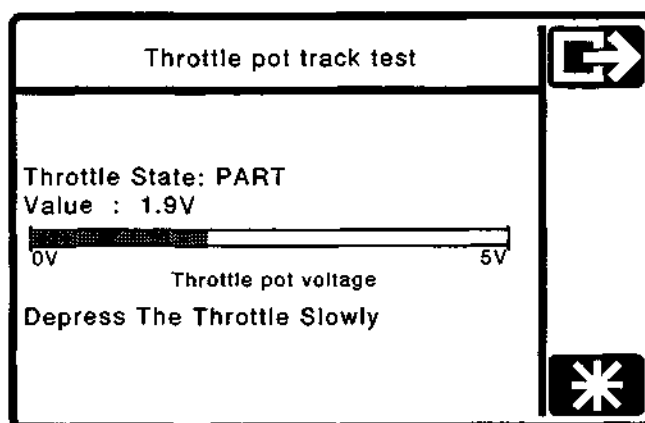
The tests incorporated into this routine are as follows:

- Misfire Monitoring
- Fuel System Monitoring
- Comprehensive Component Monitoring
- Catalyst Monitoring
- Purge System Monitor
- Secondary Air Injection Monitor
- Oxygen Sensor Monitor
- Oxygen Sensor Heater Monitor
- Exhaust Gas Recirculation Monitor

Throttle Position Sensor Track Test - 97 MY

This test is used to detect any problems with the throttle potentiometer track which could cause faulty throttle position signals to enter the PCM. Such signals would result in incorrect calculation of engine power demand and possibly create excessive fuelling and high emissions.

Selecting Throttle Checks from the Engine Diagnostics screen will bring up the Throttle Position Sensor Track Test screen:



Follow the screen instructions to test the throttle position sensor track. The throttle must be moved slowly from fully closed to fully open without hesitation. Any pause in throttle movement will be interpreted as a track fault.

If a fault is detected, repeat the test several times to eliminate hesitant throttle movement errors from actual potentiometer faults. If a repeatable fault is detected, the potentiometer must be replaced.

Output State Control - 97 MY

This menu item provides a quick test of the basic electro-mechanical components controlled by the PCM. These tests should be performed in a key on engine off state.

The selections available are:

- Low Speed Cooling Fans
- High Speed Cooling Fans
- Set Electromechanical Outputs

Low and High Speed Fans

Selecting and confirming either the low or high speed cooling fans will run the fans at the selected speed for 5 seconds to verify their operation.

Electromechanical Outputs

This selection will cause the following electromechanical devices to operate for five seconds

- Air Pump
- Fuel Pumps
- Canister Purge Valve
- Idle Air Control Valve

Observing each device in turn as the PCM outputs are turned 'On' will enable the technician to verify correct operation.

Engine Datalogger

The datalogger software is designed to aid the technician in identifying permanent or intermittent faults in the DB7's electrical and electronic systems. It can provide a recorded view of selected signals over a chosen time period. This recording may be captured in a static, rolling road or road test situation. Data recorded during such tests may then be analysed on completion of the test or printed out for later analysis.

Datalogger operation is described using a fully worked example at the end of this PDU Users Guide.

The full list of datalogger signal names and descriptions is provided in the DB7 OBD II Diagnostic Manual and on the PDU screen. The following list is a summary of the PCM signals which may be monitored.

Signal	Description
ACCS	Air-Con Control Switch - 1 = A/C On
ACP	Air-Con Pressure Sensor - 1 = A/C pressure high
ACT MAX	Maximum Intake Air Temperature signal during normal running
Adap Fuel 1	Current Adaptive Fuel Correction - (% of range)
Adap Fuel 2	Current Adaptive Fuel Correction - (% of range)
ADPT1F	Adaptive Fuel - Table 1 failure mode
ADPT2F	Adaptive Fuel - Table 2 failure mode
AIR	Air Pump On/Off - 1 = Pump On
AIRM	Air Pump Monitor - 1 = high, pump on
B+	Battery Positive - Volts
BARO	Barometric Pressure
CID	Cylinder Identification - Cam sensor status
CMP STAT	Cam Position Sensor - 1 = CID mis, not currently reliable
DRVCNT	Number of OBDII Drive Cycles Completed
DSDRPM	Desired engine speed (RPM)
DTCNT	Diagnostic Trouble Codes Count (Fault codes + pending codes. MIL and non-MIL)
ECT MAX	Maximum Engine Coolant Temperature signal during normal running
ECT STAT	Engine Coolant Temperature - In or out of range
ECT-C	Engine Coolant Temperature - °C or raw counts
ECT-V	Engine Coolant Temperature - Volts or raw counts
EGR STAT	EVP EGR sensor failure
ENGLOAD	Engine Load (Ratio of air charge over standard)
ENGRPM	Engine Speed - RPM
EPT	DPFE Sensor feedback
EVAP DC	Cannister Purge Duty Cycle (% on)
EVAPCVA	Vapour Management Valve (VMV) fault detected
Evts HI	Cumulative cylinder events total carried over from previous background logic executions
Evts LO	Cumulative cylinder events total carried over from previous background logic executions
FPM	Fuel Pump Monitor - 0 = pump off, 1 = pump on
FPUMP DC	Desired Fuel Pump Duty Cycle - 0% or 100%
H02S12	Sensor Output - Volts
H02S21	Sensor Output - Volts
H02S22	Sensor Output - Volts
H02S11	Sensor Output - Volts
HFC	High Speed Fan Status
Htr11 ret	Highest number of retries seen on the HO2S 11 heater
Htr12 ret	Highest number of retries seen on the HO2S 12 heater
Htr21 ret	Highest number of retries seen on the HO2S 21 heater
Htr22 ret	Highest number of retries seen on the HO2S 22 heater
HTRCM11	HO2S 11 heater current
HTRCM12	HO2S 12 heater current
HTRCM21	HO2S 21 heater current
HTRCM22	HO2S 22 heater current

Signal	Description
IACDTCY	Idle Air Control Duty Cycle (% open)
IAT	Intake Air Temperature - °C or raw input counts
IAT STAT	Air Temperature - Temperature sensor failure
IAT-V	Intake Air Temperature - Volts or raw counts
IGN	Desired Ignition Timing - ° BTDC
INDS	Input from manual lever position sensor (counts)
IPWA	Injector Pulse Width in mS- Bank A (Cylinders 1-3)
IPWB	Injector Pulse Width in mS- Bank B (Cylinders 4-6)
LAMSE1	Current Short Term Fuel Trim 1, adjustment from stoich - (% of range)
LAMSE2	Current Short Term Fuel Trim 2, adjustment from stoich - (% of range)
LFC	Low Speed Fan Status
LOOP	Fuel Control - 1 = Open Loop, 0 = Closed Loop
MAF MAX	Maximum Mass Air Flow signal during normal running
MAF	Raw MAF sensor output (A/D counts)
MAF STAT	Mass Air Flow Meter - MAF sensor failure
MIL	Malf. Indicator Lamp Status - 1 = Lamp On
Mis HI	Cumulative misfires detected by misfire test (Hi bit).
Mis LO	Cumulative misfires detected by misfire test (Lo bit).
Mis nc HI	Cumulative misfires detected by a misfire test (Hi bit).
Mis nc LO	Cumulative misfires detected by a misfire test.
Mis1 HI	Cumulative misfires detected by cylinder 1 misfire test (Hi bit).
Mis1 LO	Cumulative misfires detected by cylinder 1 misfire test (Lo bit).
Mis2 HI	Cumulative misfires detected by cylinder 2 misfire test (Hi bit).
Mis2 LO	Cumulative misfires detected by cylinder 2 misfire test (Lo bit).
Mis3 HI	Cumulative misfires detected by cylinder 3 misfire test (Hi bit).
Mis3 LO	Cumulative misfires detected by cylinder 3 misfire test (Lo bit).
Mis4 HI	Cumulative misfires detected by cylinder 4 misfire test (Hi bit).
Mis4 LO	Cumulative misfires detected by cylinder 4 misfire test (Lo bit).
Mis5 HI	Cumulative misfires detected by cylinder 5 misfire test (Hi bit).
Mis5 LO	Cumulative misfires detected by cylinder 5 misfire test (Lo bit).
Mis6 HI	Cumulative misfires detected by cylinder 6 misfire test (Hi bit).
Mis6 LO	Cumulative misfires detected by cylinder 6 misfire test (Lo bit).
MISF	Misfire Monitor - 1 = Currently misfiring
ODCODES	Total number of on-demand codes currently stored.
PGM CVS DC	Purge Management Duty Cycle (% on)
PIP	Profile Ignition Pick-Up - PIP input level
PNP	Park Neutral Position Switch
R-BIAS1	Rear bias trim (Bank 1, cylinders 1-3)
R-BIAS2	Rear bias trim (Bank 2, cylinders 4-6)
RATCH	Lowest TP reading during driving
TP MAX	Maximum Throttle Potentiometer signal during normal running
TP STAT	Throttle Position Sensor - TP sensor failure
TP	Throttle Potentiometer - Volts or counts
TPR-V	Raw counts from sensor
TQ-NET	Net torque into the torque convertor
TRIP	OBDII Drive Cycle Complete (except cat monitor) - 1 = Trip completed
TRIPCNT	Number of Completed OBDII Trips
VS MAX	Maximum Vehicle Speed signal during normal running
VS STAT	Vehicle Speed Sensor mode flag
VS	Vehicle Speed - MPH
WAC	Wide Open Throttle A/C Cut-Off - 1 = High (WOT Relay)

Engine Setup - 95 MY

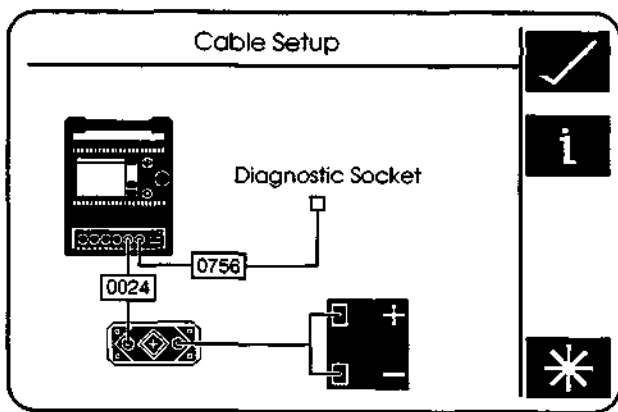
Two adjustments may be set with the aid of the PDU on 95 MY vehicles.

- Throttle Potentiometer
- Idle Fuelling Trim

From the 95 MY Main Menu, make and confirm the following sequence of selections:

Diagnostics	✓
Manual or Auto Transmission	✓
Engine	✓
Engine Setup	✓

The following connection diagram will then be displayed.



Engine Setup Connections

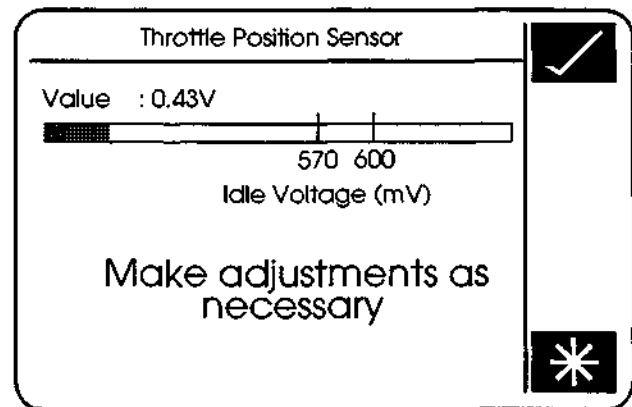
Throttle Sensor Adjustment - 95 MY

Note: The throttle stop and throttle cable adjustments must be correct before setting the throttle potentiometer.

On completion of the engine setup connections the test selection screen will be displayed.

1. Select Throttle Potentiometer.
2. Turn the ignition switch to position II but do not start the engine.
3. Monitor the throttle potentiometer bargraph voltage at fully closed and then at fully open throttle.
4. The throttle potentiometer voltage specifications are:

Throttle Closed 0.57 - 0.59V
Throttle Full Open 4.00 +V



Throttle Potentiometer Voltage

5. If both voltages are either high or low, loosen the two throttle pot screws and adjust the potentiometer until the specified voltages are achieved. Carefully tighten both screws ensuring that the potentiometer does not move during tightening.
6. If either voltage is unstable or if the specified voltages cannot be achieved, investigate the cause. If the potentiometer is replaced, set the new pot using steps 3 - 5 above.

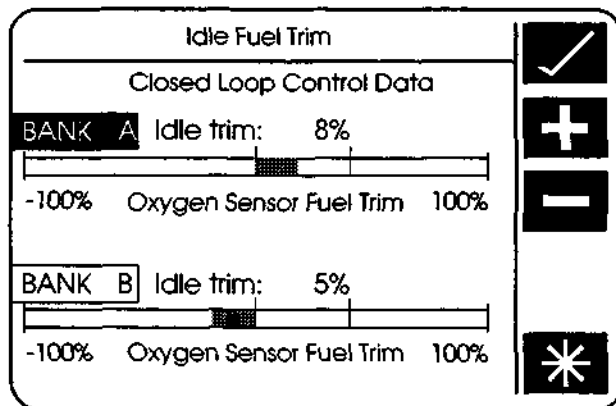
Note: On automatic vehicles, the kickdown switch adjustment check follows the throttle pot adjustment.

Idle Fuelling Trim - 95 MY

This program is used to check and if necessary reset the fuelling level at idle to ensure that the specified idle speed and emission levels are attainable. The throttle potentiometer adjustment sequence must be completed before the fuel trim sequence can be run.

Note: The throttle setup must be completed before attempting to set the Idle Fuelling Trim. An error in throttle stop, throttle cable or throttle pot adjustments can cause serious difficulties in setting the Idle Fuelling.

1. Select Idle Fuelling Trim from the Engine Setup Menu. (The PDU connections are as for the Throttle Potentiometer Adjustment.)
2. Start the DB7 engine and allow it to warm to normal operating temperature.
3. Follow the screen instructions to run the idle fuelling trim procedure.
4. Observe the bargraphs for oxygen sensors A and B. The bargraph indications should oscillate evenly about the 0% position on the bargraph.



Idle Fuelling Trim Display

5. If the bargraph indications are not oscillating evenly about the 0% position, select the A (cylinders 1, 2 and 3) or the B (cylinders 4, 5 and 6) sensor. The Increase/Decrease buttons will appear.
6. Adjust the fuel trim as required to achieve even oscillation about the 0% mark for both sensors. When the adjustment is correct, select the 4 icon and confirm that the idle fuelling trim is correct. On confirmation of the adjustment, the PDU will exit from the idle fuelling program.
7. On completion of the procedure, select Exit from the Engine Diagnostics Software.

Transmission Diagnostics

Automatic transmission DB7s are fitted with a GM4L80-E gearbox electronically controlled by a Transmission Control Unit (TCM)

The TCM is mounted on the rear left wheel arch. It may be electronically accessed from the upper diagnostic socket.

The TCM continuously monitors requests made by the driver via the gear selector, throttle pedal, mode switch, etc. This data is used in conjunction with speed input from the transmission unit to calculate the optimum shift points under current conditions. Shift pressure and ignition retard are also controlled from this data to enhance shift quality and reduce transmission wear.

The TCM also detects faults within the transmission system and stores the relevant fault codes for later analysis.

Gearshifts are controlled by two solenoid valves and a pressure regulator within the transmission valve block assembly.

If a serious fault occurs, the TCM removes all electrical power from these valves and the transmission defaults to a 'limp home' condition. In this state, only mechanical selection of either reverse or second gear is available.

Gearshift Timing

Inputs from the performance mode switch (Sport, Normal or 1st Gear Inhibit) and the throttle position sensor are used to modify transmission gearshift operation as required by the driver.

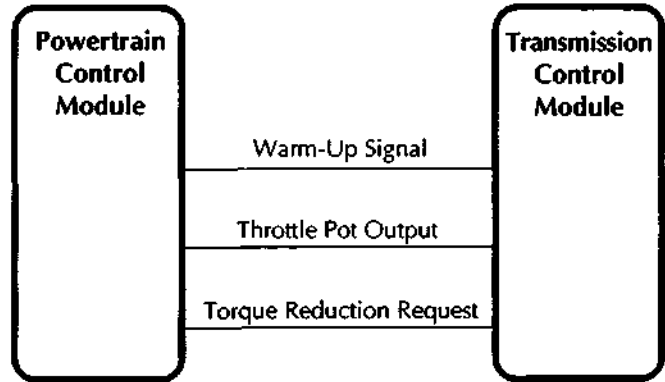
Sport mode raises the road speed at which gearshifts occur enabling higher acceleration rates for the vehicle.

1st gear inhibit prevents engagement of first gear to reduce the risk of wheel slip in icy conditions.

The throttle position sensor signal is continuously monitored by the TCM to detect a rapid throttle opening. If the throttle position sensor signal rises rapidly to above 4.5 volts, a 'Kickdown' condition is initiated. In this condition, upshifts are delayed to higher road speeds to provide the higher acceleration required for overtaking etc.

TCM - PCM Communication

The interface between TCM and PCM allows continuous exchange of the primary data required to appropriately control the gearshifts required during driving under a wide range of conditions.



Warm-Up

The Warm-Up signal is sent from the TCM to the PCM and is used to detect when the transmission reaches normal operating temperature of approximately 100°C (212°F). As this temperature is reached, the modified gearshift timing required with a cold gearbox may be abandoned in favour of the standard timing for a warm gearbox.

Throttle Pot Output

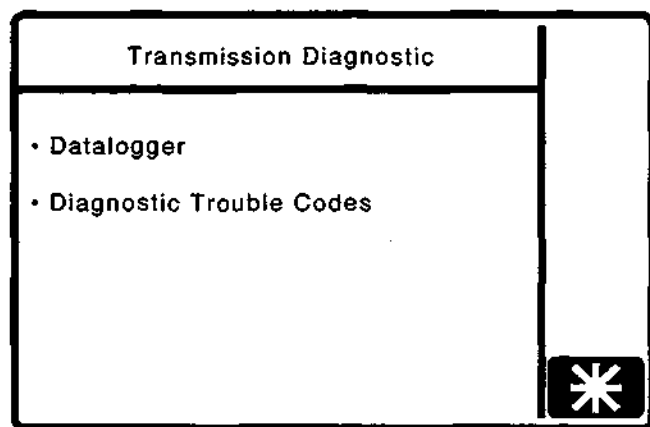
The ThrottlePot Output signal is sent from the PCM to the TCM. The TCM can then use this information to control shift timing in relation to the power demanded by the driver.

Torque Reduction Request

The Torque Reduction Request signal is sent from the TCM to the PCM. It is used to temporarily retard the ignition timing during gear shifts to improve shift quality. When the gearshift is completed, ignition timing will be returned to normal.

Transmission Diagnostics

Selecting 'Transmission' from the vehicle area menu will present the technician with the following transmission diagnostic tools menu:



The Datalogger function is fully described in the worked example at the rear of this PDU Users Guide.

Transmission Datalogger

The PDU datalogger function may be used to monitor the following transmission controller signals

DTCS Number of DTCs Logged

The Diagnostics status manager (DSM) receives and processes fault information and decides when a DTC should be logged and the MIL turned on (if enabled). The actual total stored is indicated by the parameter DTCS.

FBRAKE Brake Switch

The footbrake switch signal is input to the TCM. The input is normally at ground potential and goes open circuit when the brakes are applied. If the torque converter clutch is applied it will disengage when this signal is detected.

FMA Actual Force Motor Current

The force motor regulates the transmission fluid pressure. It is a variable force solenoid whose coil current is determined by the TCM. Range 0 - 1.245 amps. A driver circuit limits excessive current flow and performs a ratiometric comparison of Desired (commanded) Force Motor Current and Actual Force Motor current. The parameter monitors the Actual Force Motor current 1 Bit = 1/204.8amps.

HOT Hot Mode

The signal from the transmission temperature sensor is used to control TCC and line pressure. It is also used in many diagnostic signals and is a critical component for OBD II. Above 120°C the TCC is on in 2nd, 3rd and 4th gears. This reduces transmission temperature by decreasing the heat generated by the torque converter. It also provides maximum cooling by routing transmission fluid directly to the transmission cooler in the radiator. When the Hot Mode is ON the bit is set to 1.

IGN+ Ignition Feed Positive

The TCM receives ignition voltage through TCM pin 53.

MD Desired Force Motor Current

The force motor regulates the transmission fluid pressure. It is a variable force solenoid whose coil current is determined by the TCM. Range 0 - 1.245 amps. A driver circuit limits excessive current flow and performs a ratiometric comparison of Desired (commanded) Force Motor Current. The parameter monitors the Desired Force Motor current 1 Bit = 1/204.8amps.

RATIO Actual Gear Ratio

The diagnostic detects malfunction in the transmission output components by monitoring the actual gear ratio. The actual gear ratio is calculated using input (Ni) and output speed (No): $\text{Ratio} = N_i/N_o$. This is compared with the standard gear ratio for each gear. Malfunction can be defined as: actual gear ratio is not equal to any of the standard gear ratios.

RPM Engine Speed

The engine speed signal is input from the instrument pack. The signal originates at the crankshaft sensor. The crankshaft sensor signal is modified by the PCM and the instrument pack before being input to the TCM.

SSA Shift Solenoid A

Shift solenoid A is attached to the valve body and its outlet is open to exhaust when it is switched off. A OFF - outlet open - 2nd and 3rd gears selected. The solenoid is energised by the TCM providing an internal ground to close the outlet. A ON - outlet closed - 1st and 4th gears selected.

SSB Shift Solenoid B

Shift solenoid B is attached to the valve body and its outlet is open to exhaust when it is switched off. B OFF - outlet open - 1st and 2nd gears selected. The solenoid is energised by the TCM providing an internal ground to close the outlet. B ON - outlet closed - 3rd and 4th gears selected.

TCCS Torque Converter Clutch Solenoid

The torque converter clutch solenoid is mounted on the valve body. The signal is Pulse Width Modulated at 32Hz to provide closed loop control of the pressure across the converter clutch plates. 1 bit = 0.39% Range 0 to 100%

TCS Torque Converter Slip

Torque converter slip is defined as the difference between the Input/turbine (ni) speed and the Engine speed (Ne): Slip = Ne-Ni. The PWM duty cycle may increase from 0 to 100% when TCC is fully applied. In practice a 100% duty cycle will be achieved only if a large slip is detected. Normally only a 60 to 95% duty cycle will be required for full application of the TCC. Slip is expressed in rpm. 1 Bit - 1/8 rpm. Range -4096 to +4096 rpm.

TCSW Transmission Control Switch

A three position switch allows the driver to select Sport, Normal or 1st Gear Inhibit mode. When 'Sport' is selected gearshifts take place at higher engine revs. When '1st Gear Inhibit' is selected, the transmission only operates in the higher forward ratios to prevent wheel slip in icy conditions.

TISSA Turbine Input Shaft Speed

Turbine speed is the speed of the input shaft of the transmission measured by the input speed sensor mounted on the transmission. An alternating waveform is induced in the sensor by 31 serrations on the forward clutch housing as it rotates. The waveform frequency and amplitude is low at low speeds and high at high speeds. The TCM changes this signal into a digital signal. 1 bit = 1/8 RPM. Range: 0 - 8192 RPM.

TOS+ Transmission Output Speed

The output speed sensor is mounted on the transmission case and measures the speed of the output shaft. As the shaft rotates an alternating waveform is induced in the sensor which varies in frequency and voltage. The waveform is converted into a digital signal by the TCM and used to control TCC, line pressure, shift timing and torque management. 1 bit = 1/8 RPM. Range 0 - 8192 RPM

TOT Transmission Oil Temperature

The transmission temperature sensor signal is used to control TCC and line pressure. It has a negative temperature coefficient so when the temperature is cold its resistance is high and the TCM sees a high voltage. As the temperature warms the volts drop across the sensor decreases and the signal voltage becomes lower. The TCM converts this analogue input into a digital signal.

1 bit = 1°C Range -55°C to +200°C.

TP Throttle Position

This is provided by the EECV Engine Management System as a Pulse Width Modulated signal derived from the throttle position signal read by that module from the throttle position sensor.

TRX Transmission Control Switch X

TRY Transmission Control Switch Y

TRZ Transmission Control Switch Z

The transmission range is detected by the pressure switch manifold (PSM) and input to the TCM. The signal consists of three discrete lines X, Y, Z which transmit a 3 bit binary code as shown in the table below.

0 = open circuit

1 = short circuit to ground

	X	Y	Z
P	0	0	0
R	1	0	1
N	0	0	0
D	1	0	0
3	0	1	1
2	0	1	0
Error	1	1	1

VS Vehicle Speed

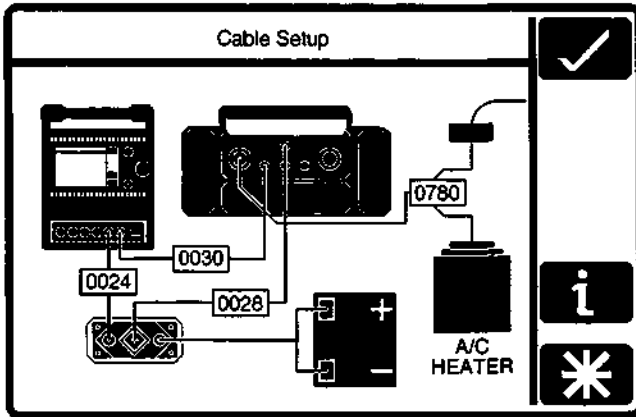
Vehicle speed is derived from a pulsed wave form generated by the speed sensor in the hypoid unit. There are 40 pulses per shaft rotation and the TCM converts this to vehicle speed and applies correction for axle ratio and road wheel diameter. 1 bit - 1kph. Range 0 - 255kph

Transmission Diagnostic Trouble Codes

The diagnostic trouble codes supported by the GM 4L80-E Transmission Control Module are covered in detail in the DB7 OBD II Diagnostics Manual.

Climate Control Diagnostics

The air conditioning control module is located at the right end of the air conditioning unit. Since this controller uses a unique communications protocol, the PDU must be connected directly to the unit via the Vehicle Interface Adaptor as shown in the following cable setup screen.



A digital microprocessor within the control module receives data signals from the operator controlled switches. Comparison of these signals with those returned from system temperature sensors and feedback devices results in the appropriate output voltage changes needed to vary: Blower motor speed, flap position and the solenoids which respond to operator selected temperature demand.

The air from two blower motors is passed through the evaporator matrix which, depending on the positions of the humidity buttons, removes heat from the incoming air. Depending on the position of the two blend flaps, the cold air either passes directly to the vehicle outlet vents, or is passed through the heater matrix to be reheated and then to the vehicle outlet vents.

The amount of air passing through the heater matrix is infinitely variable depending on ambient temperature and the temperature selected within the vehicle.

Selecting 'Climate Control' from the vehicle area menu, will present the technician with the datalogger tool selection screen.

Details of the signals which may be monitored in the system may be found in the DB7 Workshop Manual - Section 8 - Air Conditioning'

Anti-Lock Braking Diagnostics

The Teves Mk IV Braking System consists of two sub-systems, power braking and anti-lock braking.

The PDU software (DataLogger) only allows the monitoring of the anti-lock braking system.

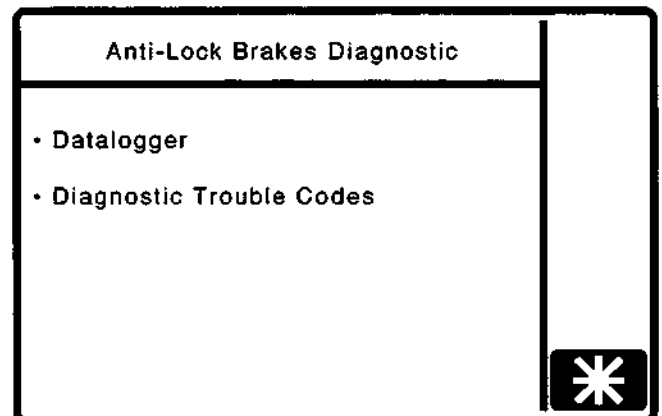
The ABS System consists of:

- Four wheel speed sensors.
- One control module.
- Seven solenoid valves.
- One pressure switch.
- One fluid level switch.

The ABS System is controlled and continuously monitored by the ABS control module, which automatically switches off the system if a failure is identified, illuminating a warning lamp and leaving full, boosted braking to all wheels. A wheel speed sensor is installed at each wheel. Their wheel speed related signals are processed by the control module, which triggers the solenoid valves to modulate hydraulic pressure, preventing the wheels from locking. The control module also monitors the fluid level and will inhibit ABS operation should low fluid level be detected.

The DataLogger function will permit monitoring of the complete system apart from the solenoid valves. The control module transmits short duration test pulses of 25 to 100 microseconds to the solenoid valves. These pulses are too fast for the PDU to monitor and as a result would cause confusing waveforms.

Selecting 'Anti-Lock Braking' from the vehicle area menu, will present the technician with the following menu of diagnostic tools screen:



ABS Diagnostic Trouble Codes

The DTCs which are supported in the Teves Mk IV ABS system are listed in the workshop manual - Section 5 Brakes Wheels and Tyres.

ABS Datalogger

The following signals in the Teves Mk IV ABS system may be monitored using the datalogger function.

DTCs Number of DTCs Logged

The Diagnostic status manager (DSM) receives and processes fault information and decides when a DTC should be logged and the MIL turned on. The actual total stored is indicated by the parameter.

FBRAKE Brake Switch

The signal from the brake switch is used by the CM to ensure that traction control is inhibited when the brakes are applied. The input circuitry within the CM is a 10K pull-up to ignition voltage. When the switch is closed the parameter is set to 1.

FLWS Front Left Wheel Speed Sensor

An indication sensor outputs a sinusoidal wave form 48 pulses per revolution. The output is processed by the CM to control braking and traction. The sensor is continually monitored for open and short failure and operating range. If its output exceeds 330km/h it is deemed to be faulty and the CM is disabled. The parameter tracks the sensor waveform through 255 steps.

FRWS Front Right Wheel Speed Sensor

An indication sensor outputs a sinusoidal wave form 48 pulses per revolution. The output is processed by the CM to control braking and traction. The sensor is continually monitored for open and short failure and operating range. If its output exceeds 330km/h it is deemed to be faulty and the CM is disabled. The parameter tracks the sensor waveform through 255 steps.

RLWS Rear Left Wheel Speed Sensor

An indication sensor outputs a sinusoidal wave form 48 pulses per revolution. The output is processed by the CM to control braking and traction. The sensor is continually monitored for open and short failure and operating range. If its output exceeds 330km/h it is deemed to be faulty and the CM is disabled. The parameter tracks the sensor waveform through 255 steps.

RRWS Rear Right Wheel Speed Sensor

An indication sensor outputs a sinusoidal wave form 48 pulses per revolution. The output is processed by the CM to control braking and traction. The sensor is continually monitored for open and short failure and operating range. If its output exceeds 330km/h it is deemed to be faulty and the CM is disabled. The parameter tracks the sensor waveform through 255 steps.

Passive Anti Theft (PATS) Diagnostics

Security System Diagnostics

Because of the requirement to maintain vehicle security, the PATS and Security System operating instructions and diagnostics are covered in the Vehicle Security supplement to section 6 of the workshop manual. This supplement has restricted circulation and is only available to Aston Martin Dealers.

Airbag System Diagnostics

WARNING: Whilst it is completely safe to access and read the airbag diagnostic module memory at the diagnostic socket, significant personal risks exist in the performance of any other tasks on the airbag system or components. Therefore all workshop manual warnings must be read and all safety procedures must be followed before, during and on completion of any other practical work on the airbag system.

System Description

The airbag system installation comprises:

- Airbag Diagnostic Module
- Driver and passenger airbag modules
- Two front impact (crash) sensors
- One 'safing' sensor
- Dedicated wiring harness
- SRS indicator/warning lamp

The system is designed to provide protection for both driver and front seat passenger by automatically deploying airbags in the event of a collision during forward travel.

In the event of a collision, the crash and safing sensors will operate, completing the firing circuit and causing the airbags to inflate within 32 milliseconds. At least one crash sensor and the safing sensor must operate to fire the airbags.

Any faults in system components, installation or wiring will be indicated by a flashing code on the SRS/AIRBAG warning lamp. Fault code information may also be monitored using the PDU or scan tool.

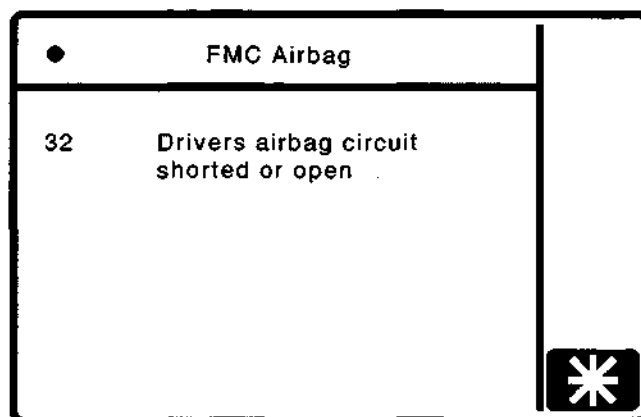
A full description of the airbag system components is included in the workshop manual.

Airbag Diagnostics

The Airbag Control Module indicates a fault by transmitting a pulsed signal down the Airbag System Failure line to flash the SRS/AIRBAG warning lamp. The fault code is repeated continuously. If there are two or more faults, the fault code with the highest priority is transmitted first. The second fault code is only transmitted when the first fault has been rectified.

The SRS/AIRBAG warning lamp is also used to indicate any problem in the seat belt pretensioner system (if fitted). Flashing of the lamp indicates an airbag fault, constant illumination of the lamp indicates a seat belt pretensioner fault.

At the top left of the PDU screen there is a bullet mark which indicates the current state of the Airbag System Failure line. As a code is transmitted the bullet mark can be seen to flash. The PDU reads the fault code, and writes the code number and fault description to the screen. The PDU continues to monitor the transmitted code. If the transmitted code changes, the new code number and description will appear below the first.



When remedial action has been taken to correct a fault, press the Clear Button to clear down the PDU display. Then use the PDU to ensure that no faults are reported.

A series of audible beeps, continuously transmitted by the Airbag Diagnostic Module, indicates that there is an Airbag System fault to report and that the Airbag System Failure line is open circuit. The PDU is not able to monitor the fault line in this situation as there is no pull-up resistor, normally provided by a warning lamp in the instrument pack.

Rapid continuous flashing of the Instrument Pack Airbag Failure Lamp indicates that both front impact sensors are disconnected. No fault code is reported on the PDU, however on close inspection the bullet mark can be seen to flicker.

Airbag Diagnostic Trouble Code Monitor

The following diagnostic trouble codes are supported by the Airbag Control Module:

- 12 Low battery voltage
- 13 Air bag circuit shorted to ground
- 14 Front impact sensor circuit shorted to ground
- 21 Safing impact sensor incorrectly mounter to vehicle
- 22 Safing impact sensor output shorted to battery voltage
- 23 Safing impact sensor input feed / return open circuit
- 24 Safing impact sensor output feed / return open circuit
- 32 Driver side airbag circuit high resistance or open
- 33 Passenger side airbag circuit high resistance or open
- 34 Driver side airbag circuit low resistance or short circuit
- 41 Front right impact sensor feed / return open circuit
- 42 Front left impact sensor feed / return open circuit
- 44 Front right impact sensor incorrectly mounted to vehicle
- 45 Front left impact sensor incorrectly mounted to vehicle
- 51 Airbag CM internal thermal fuse - intermittent short to ground
- 52 Back up power supply - voltage boost fault
- 53 Front impact sensor circuits resistance to ground or internal Airbag CM failure

Seat Belt Pretensioner Diagnostics (where fitted)

Description

The DB7 seat belt pretensioner system operates the drivers seat belt pretensioner in conjunction with the Airbag system. The seat belt pretensioner control module is located under the right hand seat, beside the seat control module.

The pretensioner control module calculates changes in vehicle speed using an input signal from an accelerometer. When a collision is detected (Rapid reduction in vehicle speed) the pretensioner charge is fired using electrical energy stored in a capacitor within the pretensioner control module. Firing of the pretensioner charge applies additional tension to the drivers seat belt.

The airbag and seat belt pretensioner systems share the SRS (Airbag) warning lamp. Any fault detected by the pretensioner control module is indicated by constant illumination of the SRS (Airbag) warning lamp. Flashing of the SRS warning lamp indicates a fault in the airbag system.

Should both systems develop faults, the pretensioner system will permanently illuminate the warning lamp. This would mask the airbag system warning indication. Therefore, rectify the pretensioner fault and then retest for faults in the airbag system

The pretensioner control module can log up to 10 diagnostic trouble codes together with a time since each fault was alerted to the driver. Each fault will be identified as 'Permanent' or 'Intermittent' on the PDU diagnostic trouble codes screen.

System Connections

The Autoliv RC5 Pretensioner Control Module has an 18 pin connector featuring six shorting bridges. The mating halves of the connector may be securely locked using a double mechanical locking system.

The following pins on the control module connector are used in the Aston Martin seat belt pretensioner system:

Pin 1	Ground
Pin 2	SRS/Airbag Warning Lamp
Pin 11	Drivers airbag positive
Pin 12	Drivers airbag negative
Pin 14	Serial communications
Pin 15	12 volt positive feed
Case	Ground

System Fault Strategy

No single fault may cause an unexpected deployment. The controller will supervise the airbag/pretensioner electrical system in order to warn the driver should a fault occur. Any fault detected by the self diagnostics shall cause the airbag warning lamp to be activated, and in some cases the pretensioner control module to enter shutdown mode. In shutdown mode, the energy of the reserve capacitors shall be discharged to avoid unintended deployment.

As the ignition is switched on, the pretensioner controller will directly discharge the energy capacitors. When the start up procedure is completed without detecting any faults, the convertor will be activated allowing the capacitors to be charged. The system shall be fully active within 11 seconds after switching the ignition on providing that no faults are detected.

All system faults monitored by the controller are filtered in software to avoid fault warnings due to transient electrical disturbances.

If a fault which could lead to inadvertent deployment be detected by the microprocessor, a software shutdown will be generated. However, a leakage to an earth or positive potential in the pretensioner output circuit shall not cause the controller to enter shutdown mode.

If a permanent short of the ignition transistor occurs, a shutdown shall be generated by the hardware circuit. If a shutdown occurs, the system shall be unable to deploy the pretensioner after a period of 3 seconds (i.e. capacitors discharged to under minimum deployment voltage).

WARNING: To avoid the possibility of personal injury caused by accidental deployment of the pretensioner, disconnect the vehicle battery and wait at least 10 minutes for all voltages to fully discharge before working on the pretensioner system. This covers the possibility of the normal capacitor discharge circuits being inoperative and failing to discharge the capacitor when instructed to do so.

If the module enters shutdown mode, all diagnostic functions are stopped, but the communications link remains active. A fault code corresponding to the cause of the problem may be read by the PDU.

Seatbelt Pretensioner Diagnostic Trouble Codes

- 050A Pretensioner squib leak to battery positive
- 050B Pretensioner squib leak to ground
- 050C Pretensioner squib high resistance
- 050D Pretensioner squib low resistance
- 0D13 Capacitor voltage error
- 0D14 Capacitor capacitance
- 0D09 Energy reserve switch
- 0D1E Energy shutdown switch
- 050E Seatbelt pretensioner switch error
- 0109 Accelerometer function
- 010A Acceleration out of range
- 010B Accelerometer offset
- 0209 Safing sensor error
- 030A Temperature sensor error
- 060C Warning lamp short circuit
- 060D Warning lamp open circuit
- 060E Warning lamp driver error
- 0A0C Analogue voltage error
- 0A09 Communications error
- 090A EEPROM not programmed
- 0909 EEPROM checksum
- 0A0A External watchdog error
- 0A0B External watchdog time out
- 020A Safing sensor not closed
- 090C RAM check error

Print Facility

The print trace and print screen facilities provided on DB7 CD2 will enable the Dealer to print directly to a serial printer via an isolated RS 232 cable.

General Information

This cable is designed to provide full electrical isolation between the Portable Diagnostic Unit (PDU) and a device using the RS232 serial communication port. The cable is constructed with an in-line module that contains the optical isolation circuitry, powered from the PDU.

Printer type

The cable is supplied configured to suite an Epson LX300 printer. This is the only installation verified and approved by Aston Martin Lagonda Ltd.

Unexpected results may occur if used with an unapproved printer.

Part Number Equipment type

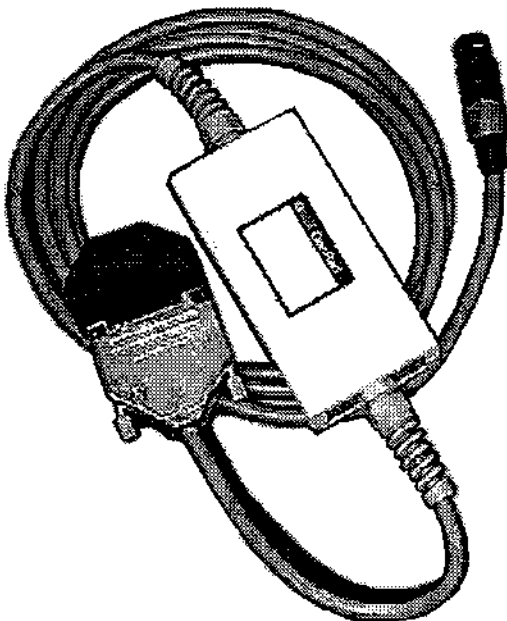
3539-1114-03 Epson LX300 printer cable kit

comprising
3539-1169-03 Printer Cable

3539-1175-02 User Self Test Adaptor

Connecting to the PDU

Connection to the PDU RS232 port is made by plugging the circular connector with the BLUE ident ring into socket (1) on the PDU interface panel.



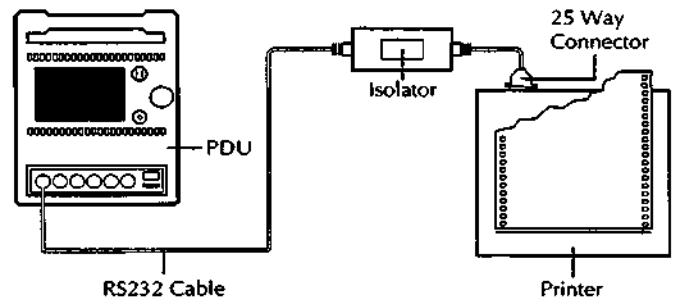
RS232 Printer Cable

RS232 Protocol

The RS232 protocol operated by the PDU is 9600 baud, 8 bit, no parity, 1 stop bit, RTS / CTS hardware handshake.

Printer Configuration

When connected to the printer a hardcopy of the PDU data can be produced.



Printer Connection

When connecting to the printer please record original printer settings prior to making any changes. Neither GenRad nor Aston Martin Lagonda can accept responsibility for re-configuration of the printer for other applications.

Self Test Adaptor

Each cable type is supplied with a User Self Test (UST) adaptor. This allows the function of the cable to be verified independently of a printer. Future releases of UST software will include testing procedures for this cable.

Printer Use

Print Trace

The Trace Buffer is used to record technician use of the PDU. As the diagnostics are executed, the following information is written to trace:

- Screen Title
- Menu options selected
- Operator questions selected
- Operator actions
- Control module information
- Test limits and results
- P codes detected by the DTC monitor
- Snapshot data from the datalogger
- OBD II freeze frame data

Set up the printer and load with paper. Select Print Trace and confirm the selection. All recorded information in the above list will be printed.

Print trace is supported in English, French, German and Italian.

Print Screen

The Print Screen function dumps a bitmap image of the current screen display to the printer. This function is particularly useful for recording data such as waveforms captured by the datalogger application.

The print screen function is supported in English, French, German, Italian and Japanese.

Digital Multimeter

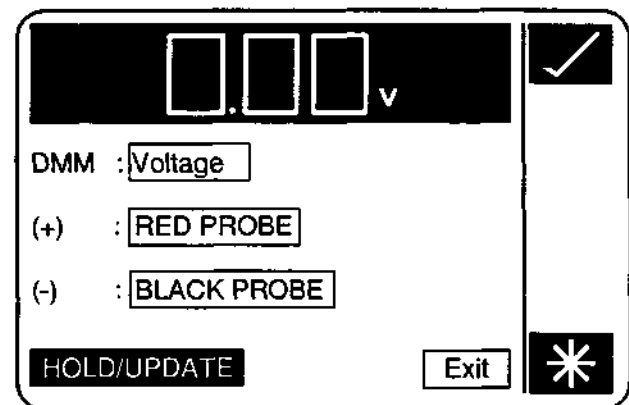
Introduction

The Digital Multi-Meter provides the capability to measure voltage, current, resistance, frequency, pulse width, pulse period and duty cycle using measurement probes or vehicle interface adaptor channels.

WARNING: DMM measurements must not be taken while the PDU is connected to the base station. The PDU measurement system becomes referenced to earth when connected to the base station. Serious measurement errors may be present because of any voltage difference between vehicle ground and base station earth. Operation of the PDU in this mode has both functional and safety implications and therefore must be avoided.

A digital multimeter (DMM) is resident within the PDU software toolbox.

The DMM application can be accessed from the main menu. On selection of "Digital Multimeter" from the main menu, the PDU will always display the same screen, known as the DMM general screen.



The DMM General Screen

The DMM is used to display measured values, to three significant figures, in the correct units.

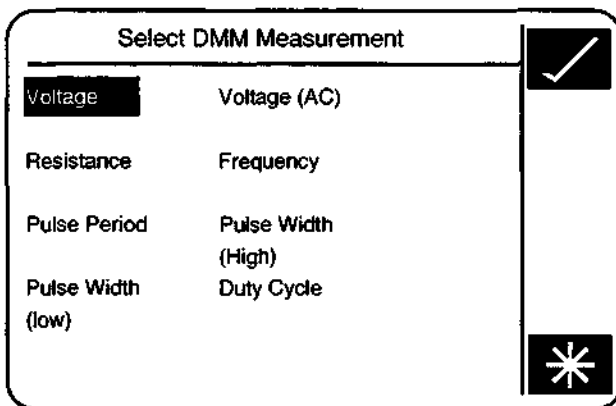
Modes of measurement are Voltage, Voltage (AC), Resistance, Frequency, Pulse Period, Pulse Width (High/Low) and Duty Cycle. Current measurements up to 50A may be made using the current probe. Measurements are usually made directly using the PDU measurement probes. On the air conditioning system only, when using the VIA, measurements may be made between specific module pins. If required, this mode must be specified when specifying the measurement to be made.

Operation

On selection of DMM the general screen, as shown in Fig. 1, will be displayed.

Voltage is the default selection for measurement, with red and black probes selected as sources. To choose alternatives to these options, press the relevant description for change followed by the 'tick' icon in the top, right-hand, corner.

If the measurement mode (Voltage) is selected for change, followed by a confirming 'tick', a screen as show will be displayed.



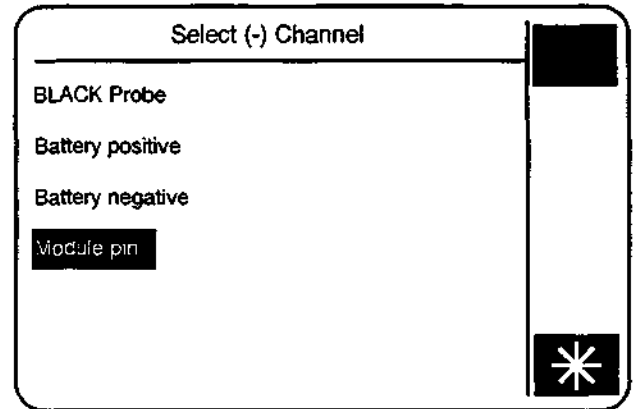
DMM Measurement Selection

Selection of any option from this screen, followed by a confirming 'tick', will return the operator to the general screen but with the new mode displayed against DMM.

If 'Resistance' is selected an additional icon, showing an audio symbol, will appear above the "EXIT" display. This icon allows the enabling / disabling of an audible signal which sounds when measured value falls below 0.5 ohms. Touch the icon to toggle the warning ON / OFF directly, no confirming 'tick' is necessary. A 'cross' is displayed over the icon when warning is turned OFF.

Measurement Source Selection

If a measurement source (either RED or BLACK PROBE) is selected, a screen as shown will be displayed. This screen may vary depending upon the various probes which can be connected to the PDU. A full list of possible sources will be displayed on the 'Source Select' screen.



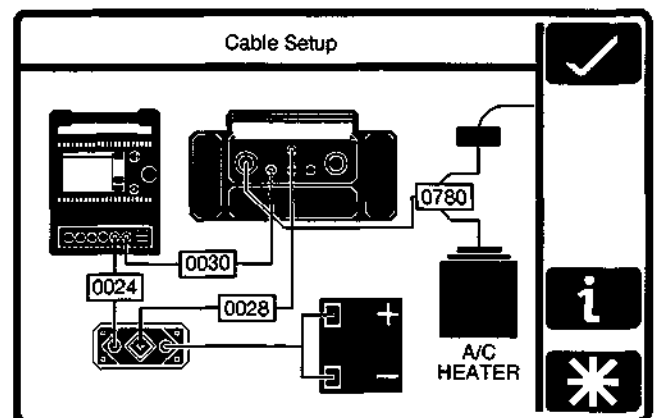
Selection of (+) and (-) measurement channels

Selection of any source option, except "Module Pin", will return the user to the general screen, which will display the revised source.

Module Pin Selection (Air-Con only)

Selection of "Module Pin" will display a screen as shown.

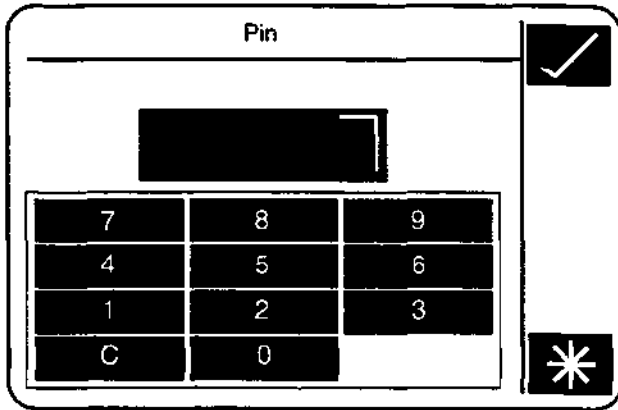
Selection of one of the options displayed on this screen allows the operator to make measurements on designated pins of the air conditioning control module. When the air conditioning module is selected PDU will display a wiring connection diagram, as shown.



Module Connection

The PDU will then check the cable connections. Until all connections are correct, the PDU will not allow progression beyond this screen. Pressing the 'asterisk' icon and selecting abort returns the operator to the general screen if an incorrect system has been chosen.

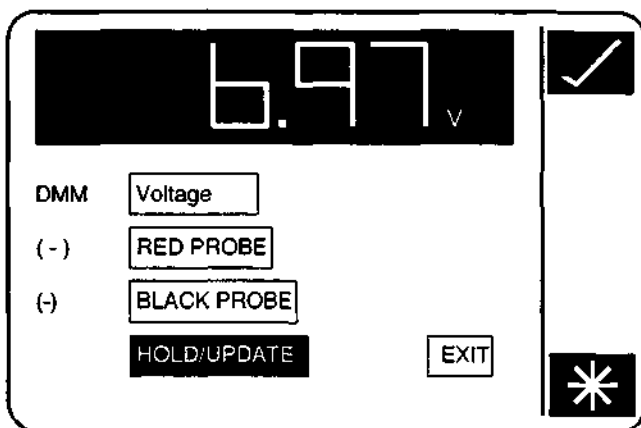
If selection and wiring are correct a numeric keypad will be displayed. The operator can now enter a pin number to be tested, using this keypad.



Numeric Keypad

Display Freezing

To assist the operator a "HOLD/UPDATE" option is displayed on the general screen. This option is selected as default on the general screen and allows a reading to be 'frozen' on screen when the 'tick' icon is pressed. A 'tick' button is also incorporated into the red probe so that a remote 'freeze' command can be sent to PDU, holding the reading until the operator can view the screen. A frozen value is displayed on a 'grey' background indicating that the value is on HOLD. Re-pressing the 'tick' icon (either local or remote) unfreezes the display and restores the normal display background.



The Hold/Update option

The "HOLD/UPDATE" option operates on one touch of the 'tick' icon (or 'tick' button) irrespective of the state of the screen backlight. Therefore it is not necessary to reinstate the screen backlight if there has been no operator contact with the PDU for five minutes (or longer). Pressing "HOLD/UPDATE" reinstates the backlight and initiates/releases display 'freeze' automatically.

System Exit

At any point during DMM operation it is possible to exit the system by either pressing the 'asterisk' icon and selecting abort, or pressing "EXIT" (where available) followed by a confirming 'tick'.

Diagnostic Trouble Codes

Introduction

The 'Diagnostic trouble codes' application enables the PDU to monitor the trouble codes logged in selected control module's and provides the following functions:

- Decode and display any trouble codes logged by the control module(s) being monitored.
- Decode and display enhanced diagnostic information, together with any count of the number of occurrences, when supported by the control module(s).
- Clear some or all of all these trouble codes selected by the user on the PDU screen, when supported by the control module(s).

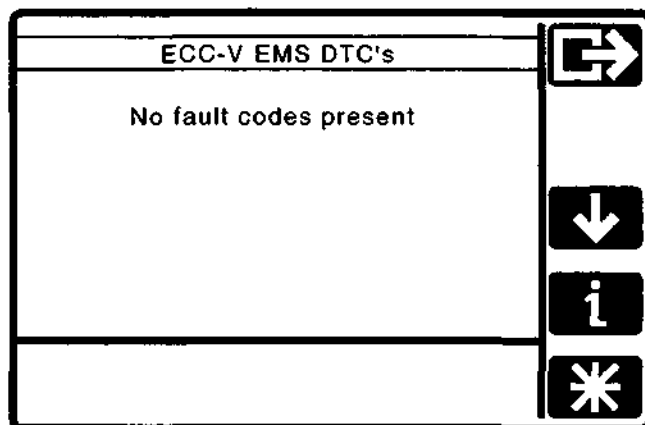
Diagnostic Trouble Codes are logged by the Engine Management and by the Automatic Transmission control units and can be accessed using the PDU. Logged codes in the 95 MY Teves Mk II ABS controller can only be accessed using the brake warning light. The Air Conditioning control unit does not log trouble codes.

Operation

From the Main Menu make the following selections:

- Select Diagnostics
- Select Engine or Transmission
- The system will then load the appropriate software
- Select Diagnostic Trouble Codes
- Connect the PDU to the car as shown on the screen diagram
- Select the ✓ icon to confirm connection
- The PDU will then interrogate the chosen control unit and will display any logged trouble codes.

If no trouble codes have been flagged by the control module, the PDU will display a screen similar to Fig. 15



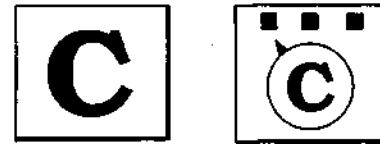
The No Fault Codes screen

The trouble code screen will be headed by a module title block followed by a list showing all logged trouble codes for the selected module.

Note: There may be more logged diagnostic trouble codes than displayed on the first screen. Use the 'up arrow' and 'down arrow' icons if necessary to scroll through the total display.

On the Zytec engine management system only, each trouble code definition will be individually selectable to invoke the clear trouble codes screen. If one or more trouble codes are selected, the clear all and clear selected trouble code icons will be displayed.

On all other systems, only the 'Clear All' function is available.



'Clear All' and 'Clear Selected Codes' Icons

Freeze Frame Data



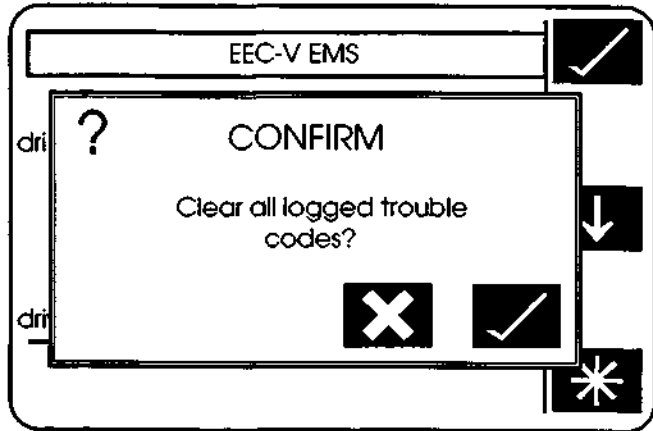
As any engine management trouble code is logged, the system takes a snapshot (freeze frame) and records the state of all signals at that time.

On the Zytec engine management system (95 MY), freeze frame data can be displayed by selecting a logged trouble code and touching the 'snowflake' icon.

On the 97 MY EEC V engine management system, freeze frame data is accessed using the OBD II scan tool.

Clear all Trouble Codes

Selecting the clear all trouble codes icon will invoke a confirmation window.



'Clear All Codes' confirmation screen

Selecting the 'tick' will instruct the PDU to clear all logged trouble codes in the selected module and return to the no logged codes screen.

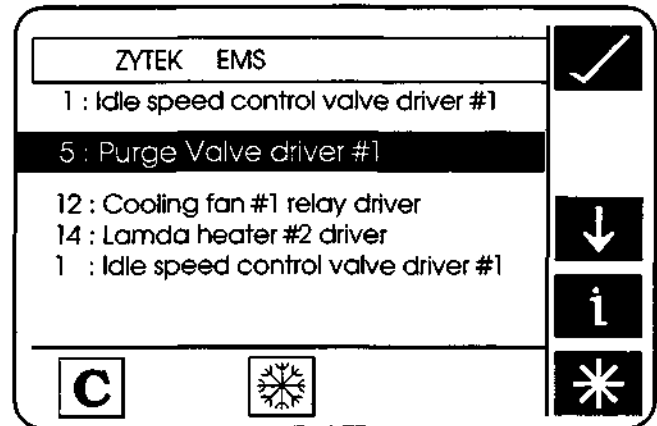
Select the 'tick' icon to exit Diagnostic Trouble Codes.

Clear Selected Trouble Codes

(95 MY Zytec Engine Management Only)

If you wish only to clear selected codes on the Zytec ECU and leave others for later investigation, proceed as follows:

Highlight only the trouble code(s) to be cleared.



Highlighting Selected Trouble Codes

Select the 'clear selected trouble codes' icon; this will invoke a confirmation window.

Selecting the 'tick' icon will instruct the PDU to clear only the selected trouble codes from the control module fault table, and if successful, the system will return to the 'Diagnostic trouble codes' screen.

If any attempt to clear trouble codes is unsuccessful, a warning window will be displayed.

This will indicate that some selected trouble codes remain logged, selecting the 'tick' icon will return to the 'Diagnostic trouble codes' screen.

Select the 'tick' icon again to exit Diagnostic Trouble Codes.

Datalogger

Introduction

DataLogger is software produced to identify permanent or intermittent faults on vehicle electronics. The objective of DataLogger is to provide a view of the vehicle's electrical behaviour, such that intermittent activity can be recorded and interpreted quickly and accurately. Running on the Portable Diagnostic Unit (PDU), the DataLogger application can capture vehicle information in three ways.

- Serial communications direct from the control unit.
- Parallel communications using the Interface Adaptor.
- Direct signal monitoring using the measurement probes.

Serial Communication

Serial Communication is a two-wire communication link between the PDU and most vehicle control modules providing digital measurements for connected components. The serial communication link allows the tester to determine the current condition of components connected to the control module, and to identify any history of faults.

On later vehicles, the PDU is connected to the vehicle diagnostic sockets via the multi Protocol Adaptor (MPA) to gather serial data from the control modules.

Parallel Communication

The Vehicle Interface Adapter (VIA) provides an interface between the PDU and the vehicle harnesses for the acquisition of multiple analogue measurements. The VIA is connected between the relevant vehicle control module and it's harness connector. This allows the PDU to capture information from a multitude of channels entering the control module. This vehicle interface is used with control modules not equipped with a serial communication link (Teves Mk II braking system and the air conditioning system).

Measurement Probes

The measurement probes permit readings to be taken directly from any connector on the vehicle.

DataLogger Applications

Datalogger may be used to interrogate the following DB7 systems:

- ABS braking system controller
- Engine Management Controller
- Air Conditioning Controller
- Automatic Transmission Controller
- Passive Anti Theft (97 MY)
- Security System (97 MY)

Using the Datalogger

Configure the vehicle to the normal operating conditions for the system under test.

From the PDU main menu screen:

Highlight 'Diagnostics'.

Press the 'tick' icon to confirm the selection.

Enter the Transmission Type and confirm the selection.

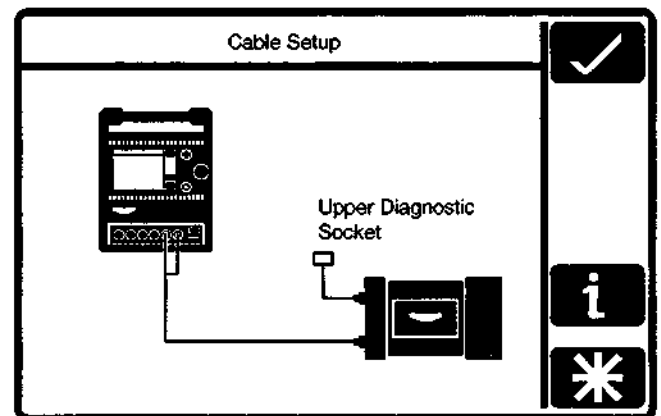
Select the Vehicle Area to be tested and confirm the selection.

The PDU tools screen should now be displayed.

Highlight 'DataLogger'.

Confirm the selection with the 'tick' icon.

The PDU connection screen should now be displayed.



PDU Connections for Datalogger

Connect the PDU to the vehicle as described in the screen image.

Switch On the ignition and press the 'tick' icon.

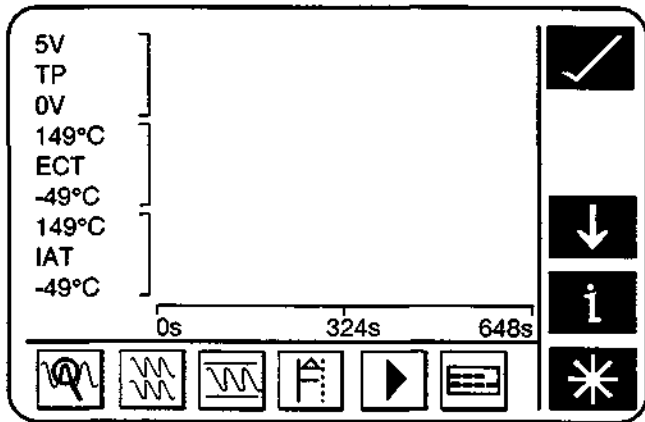
'Establishing connection to control module' should now be displayed on the screen.

If for any reason the PDU cannot communicate with the relevant vehicle control module a 'communications failure screen' will be displayed with a retry option.

Check all connections before retrying.

Once communications are successful 'Starting DataLogger' will appear on the screen momentarily.

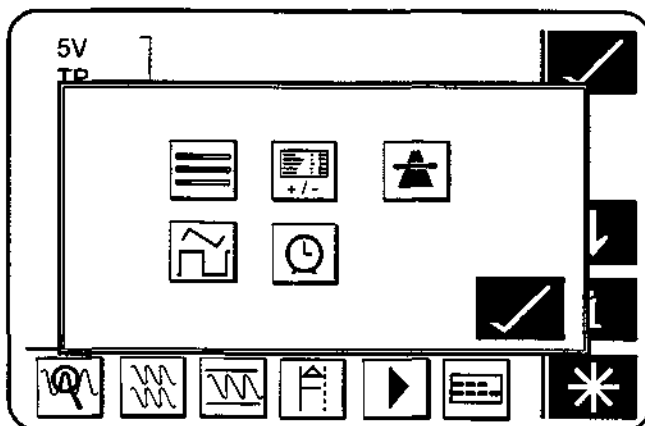
DataLogger will automatically default to the waveform screen.



Datalogger Waveform Screen

The default waveform screen will display previous selected parameters. If these parameters are ideal for the test procedure then DataLogger can be started immediately, simply by pressing the record icon.

Select the main menu icon to go to the main menu screen.



Datalogger Main Menu

Main Menu

The datalogger main menu is the main control screen, and can be selected from any of DataLogger's screens.

The main menu provides a single touch entry to each of DataLogger's features.

These features include (left to right, top to bottom):

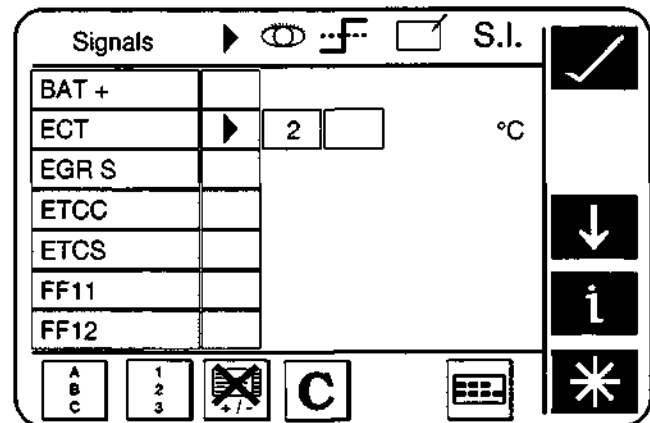
- Bargraph Display
- Parameter Customisation
- On-Road Manual Trigger
- Waveform Display
- DataLogger timing

Parameter Customisation

Parameter customisation enables the selection of signals to be recorded by DataLogger. It also enables the signal units to be selected, the order in which the signals are displayed, and whether the displayed signals are to be used as a trigger.

The Parameter Customisation screen presents selections in a five column table. Each column from left to right represents:

- Parameter name or acronym.
- Record enabled.
- Display order.
- Trigger action.
- Display S.I. Units.



Parameter Customisation

Parameter Name

Parameters can be fault codes, inputs to, or specific outputs from, a vehicle control module.

The number of parameters selectable is limited to 32.

If the number of parameters available for customization exceeds the display area, the arrow buttons will be present, allowing display area scrolling.

The parameters declared to DataLogger are initially presented in alphabetical order.

Record Enabled

Record enabled is used to select which signals are to be recorded.

To select a signal for recording, touch the rectangle next to the signal name.

The record button will then be displayed.

Note: Additional rectangles may appear in other columns beside a selected signal name, indicating that the signal units may be changed or that the signal may be used as a trigger.

It should be noted that the more parameters you select to record the slower the PDU's sample rate will be for each parameter e.g. The PDU may be able to monitor six parameters sampling each parameter twice a second. If the number of parameters is increased to twelve then the PDU would only be able to sample each parameter once per second, thus reducing its ability to capture fast faults; therefore it is recommended that the number of parameters is kept to a minimum.

Display Order

Parameters may be displayed on the waveform / bargraph screen in any order.

To set the parameter display order, press the required rectangle to create a numbered list.

Note: It is not necessary to display all of the parameters required to be recorded.

This has particular benefits if a parameter is to be used as a trigger but is not required to be displayed.

Trigger Action

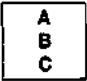
For a detailed description of trigger action, refer to the Trigger Customisation description on the following page.

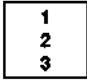
S.I. Units

Certain parameters can be measured / displayed in a number of different units eg temperature in °C or °F. If a rectangle appears around the displayed units in the 'S.I.' column then the units are selectable. Each time the rectangle is pressed, the selectable units scroll one step through the available options.

Other Features


To make parameter customization easier two icons have been introduced on to the bottom of the screen, these are:

 This icon simply puts all of the signals selected for recording in alphabetical order irrespective of the language.

 This icon will put all of the signals selected for recording at the top of the parameter list in numerical order.

After the parameter customization process is completed, return to the DataLogger main menu.

Default Customisation

 To cancel all customisations, press the Customisation Reset icon. This will reset the customisation on all parameters to the default setting.

Trigger Customisation

DataLogger operates using a 'rolling memory'.

When the Record icon is selected on the waveform display, PDU will start to record data, it will then continue to record data until its memory is full.

At this point it will continue recording by overriding the oldest data. This process will continue indefinitely or until the trigger is activated.

When the trigger is activated it performs a number of functions.

- a) The first function is to place a zero time point within the stored data, this enables the trigger point to be easily accessible in later stages.
- b) The second function is to set a timer, ensuring that the PDU will only continue recording for the time selected in 'test-duration'.

Only the data within the selected time period will be stored. A trigger is used to define the zero time point on any waveform display. This is used to make it easier to locate the actual point at which the fault occurred on the waveform display. Triggers may take three forms.

1. Manual Trigger

A manual trigger would be used in circumstances where the technician can clearly identify the point when the fault occurs and has access to the PDU at this point.

The trigger icon should be pressed on the waveform / bargraph display (or the on-road trigger icon) at the instant the fault occurs. This will then become the zero point for the waveform/bargraph display. The waveform/bargraph display up to this point would have a negative form.

2. Fault Code Trigger

The fault code trigger is used when the first indication of a fault is normally by the appearance of a warning lamp within the instrument pack. For some vehicle systems DataLogger can trigger on specific fault codes, this type of triggering is more precise than simply triggering on the warning lamp.

This trigger is selected during the parameter customisation process. To select a fault code to trigger 'on', set the fault code (parameter) to record.

Assign the display order by touching the rectangle below the Eye icon repeatedly until the desired display order number is shown.

Press the rectangle in the trigger column.

Highlight the fault code parameter again and select the magnifying glass icon. The trigger customisation screen will be displayed.

Select the appropriate trigger style icon and select the tick icon to confirm.

Press the Tick icon again to return to the main DataLogger screen.

Select the Record icon to start data capture.

The unit will trigger when the fault code appears and will set the zero time point of the waveform/bargraph display.

3. Specific Signal Trigger

It is possible to select a specific parameter or signal to trigger DataLogger.

Triggering on specific signals is likely to be used when the vehicle system has no on-board diagnostics or when diagnostic information is not readily available at the time the fault occurs, e.g. air-conditioning.

This type of trigger should only be used when it is known that a particular signal has certain characteristics at the time the fault occurs, e.g. one signal will always go from 12 Volts to ground, bringing on a warning lamp when a particular fault occurs, as this is a known event, this signal may be used to trigger the PDU.

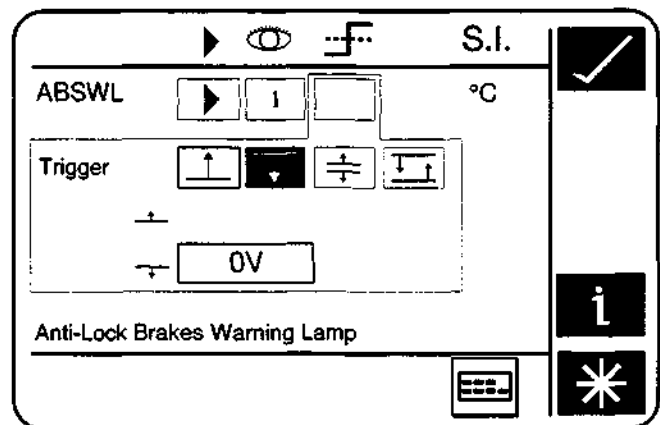
Trigger Selection

Any of the record enabled parameters may be used to trigger DataLogger.

To select a trigger highlight the parameter name, a magnifying glass type icon will appear at the bottom of the screen.

Select the magnifying glass type icon.

The trigger action screen should be displayed.



Trigger Action Screen

The following trigger options are available:-



Triggers when the signal passes above a specified value, i.e. stop lamp.



Triggers when the signal passes below a specified value, i.e. Anti-Lock brakes warning lamp.



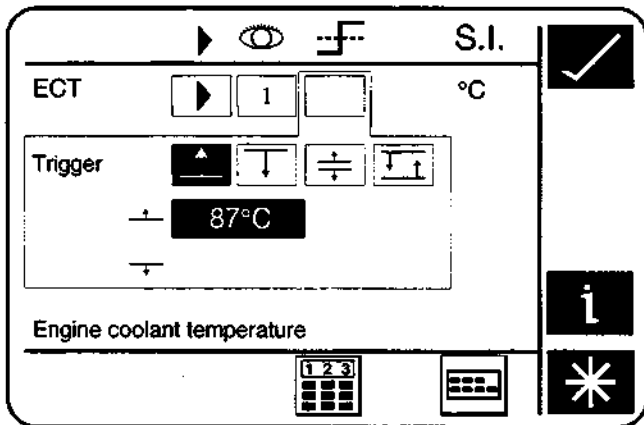
Triggers when the signal passes outside a specified band, i.e. oxygen sensor feedback.



Triggers when the signal passes into a specified band.

Once the type of trigger has been selected the trigger value(s) (i.e. the signal level at which the trigger point will occur) should be set.

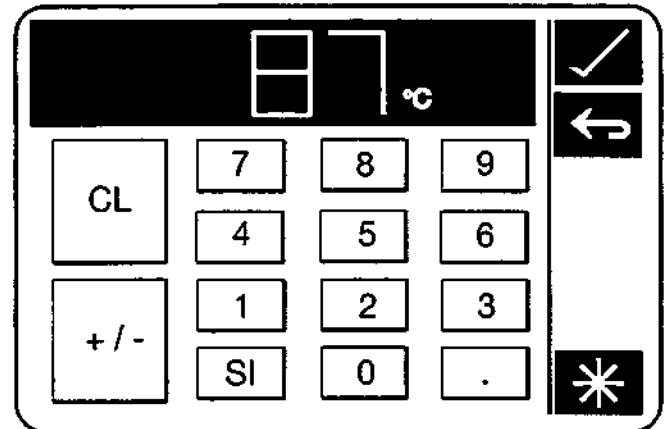
These values are set by highlighting the existing value.



Highlighted Trigger Value

Press the calculator-style icon.

A new screen should now be displayed.



Trigger Value Entry

Enter the required trigger value using the calculator-style screen buttons.

The S.I. button enables unit selection, where applicable, refer to S.I. Units.

Confirm the trigger value by pressing the 'tick' icon.

The trigger screen will now be re-displayed.

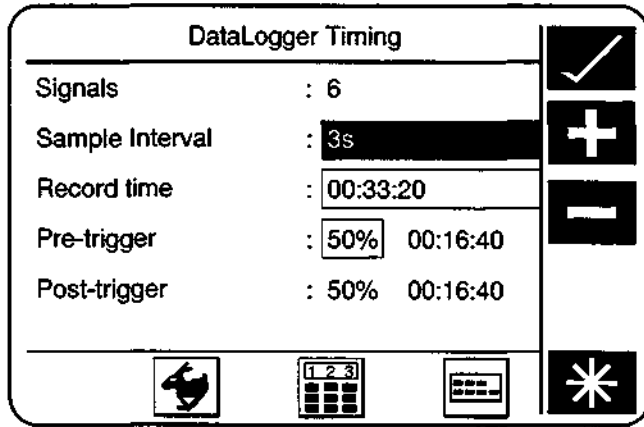
Press the 'tick' icon to go back to the Parameter Customisation screen.

Press the 'tick' icon again to return to the datalogger main menu.

Datalogger Timing

Select the 'clock' icon from the main menu screen.
Confirm the selection using the 'tick' icon.

The DataLogger timing screen should now be displayed.



Datalogger Timing

The DataLogger timing screen allows customisation of the sample interval and duration of data capture.

The display will identify the number of parameters (channels) which have been selected to be recorded by DataLogger.

Timing changes can only be made while data capture is inactive. Entering DataLogger timing while vehicle data is being captured will display the current settings, but disable selection.

Signals

The signals are the number of parameters set for sampling by DataLogger.

Sample Interval

The sample interval (frequency) defines the time interval between successive block requests for all recorded parameters.

The sample interval is selectable to enable fast response to intermittent faults.

Note: Very short sample intervals may reduce test duration because the PDU memory becomes full of data.

Select the sample interval rectangle.

A calculator-style icon should now be displayed.



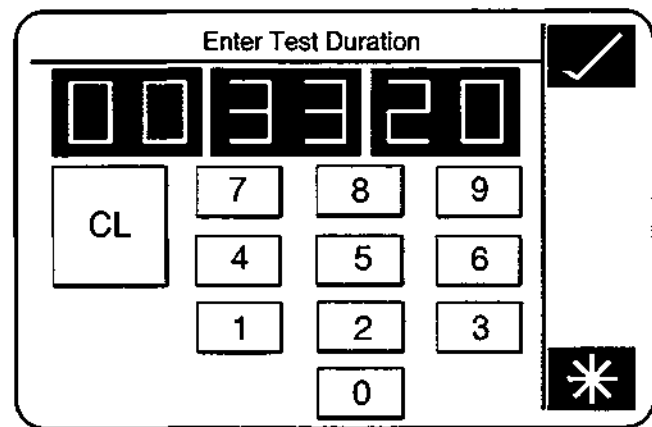
As well as a calculator-style icon being displayed there will be a hare icon, selecting this icon will automatically set the fastest sample rate for the selected parameters.



Note: The fastest sample rate set using the 'hare' icon may be too fast for some applications.

Select the calculator-style icon.

A new screen should now be displayed.



Test Duration

Enter the required value in milliseconds up to a maximum of 60,000 mS (1 min). At this stage DataLogger will not verify if the entered sample interval can be achieved.

When DataLogger is actioned to start recording vehicle data, and the sample interval is shorter than the fastest achievable capture time, a warning screen will be displayed, requesting changes to the sample interval.

Record Time

The record time (test duration) defines the length of the data slice which will be preserved for analysis after the fault occurs. The selected time will be split equally before and after the fault trigger. e.g. a 10 minutes recording will preserve data from 5 minutes before to 5 minutes after the fault.

At the end of the record time the PDU will automatically stop recording.

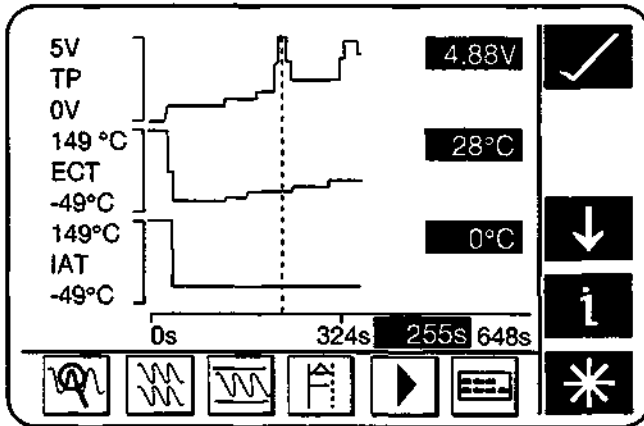
The record time is entered in the same way as the sample interval, by enabling the rectangle and selecting the calculator-style icon.

Pre-trigger and Post-trigger

The pre-trigger and post-trigger represent the duration of the tests before and after the trigger point respectively.

Waveform

Select the waveform icon from the main menu, confirm selection using the 'tick' icon; the waveform screen should now be displayed.



Waveform Display

The screen consists of three parts:

- Waveform Display
- System icons
- DataLogger Specific icons

Waveform Display

The waveform display provides a graphical indication of activity occurring within the displayed parameters. This feature provides a display of various waveforms simultaneously. Each waveform represents a vehicle parameter indicating measured activity in relation to time. The display is dynamically updated at the frequency of the sample interval.

To the right-hand side of the waveform is a digital read-out of that signal.

A vertical dotted line (cursor) on the screen represents the point in time displayed by the digital read-out.

This cursor may be moved by applying finger pressure to the screen in the position the cursor is required.

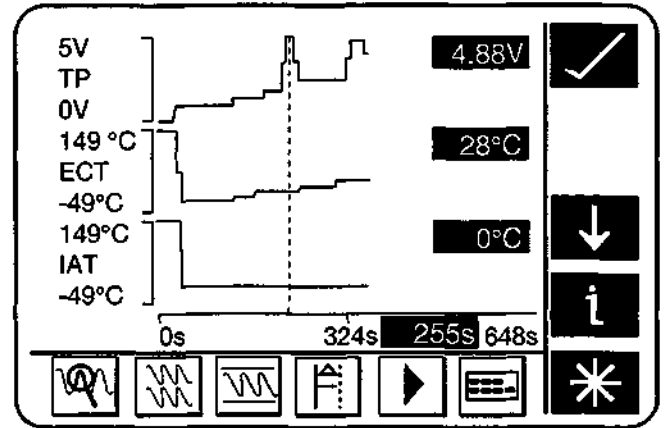
The system up or down icons can be used to scroll the waveform display up or down respectively to look at the other displayed waveforms.

System Icons

For a detailed description of each of the system icons, refer to the on-screen Dataslogger Training Programme.

DataLogger Specific Icons

The DataLogger specific icons are those at the bottom of the screen.



DataLogger Icons

Record Icon

Press the record icon to start capturing data, a trigger icon will replace the record icon.



Press the trigger icon to instigate the manual trigger.

Once the trigger procedure has occurred, a stop icon will replace the trigger icon.

Press the stop icon to stop capturing data.

The following icons are to aid viewing / analysis.

Split Cursor Icon



The split cursor icon splits the vertical cursor into two parts.

One permanent static cursor represented by a solid vertical line in the waveform display, and one moveable cursor represented by a dotted vertical line, this is moved by applying finger pressure to the screen in the position the cursor is required.

The digital display of the waveforms will now represent the difference in levels between the two cursors and not the absolute signal level as detailed earlier.

Re-scale Vertical Icon



Normally all of the waveforms are displayed with the vertical axis representing the maximum possible variation of the signal, e.g. battery voltage 0 to 16 V.

The re-scale icon causes the waveform to scale such that the recorded variation determines the scale, this normally enlarges the vertical scale.

The scaling operation can be performed on any of the displayed waveforms by highlighting the parameter name prior to the operation.

Once auto-scaling has taken place, further manual scaling may be achieved by using the '+' and '-' system icons.

Waveform Display Number



This icon enables control of the number of waveforms displayed on the screen at any one time.

Pressing this icon causes the '+' and '-' system icons to appear. Using these system icons increase or decrease the number of displayed waveforms.

It should be noted that the more waveforms displayed the poorer the detail becomes, therefore the number of displayed waveforms should be kept to a minimum.

Horizontal Scale



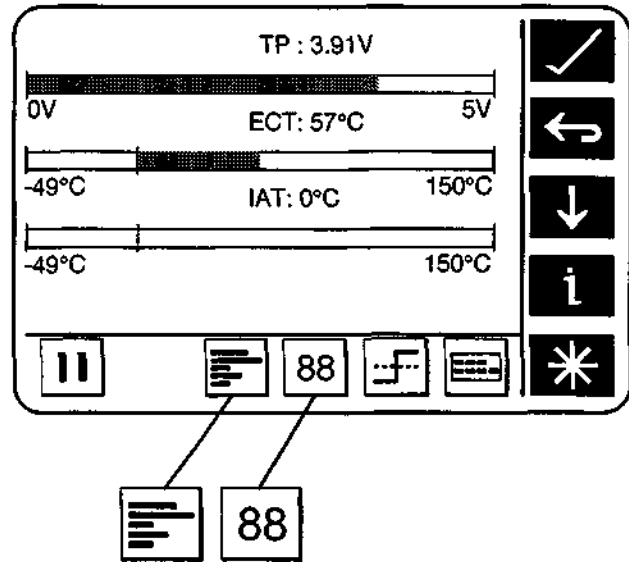
This icon performs the same function as the re-scale vertical icon only for the horizontal axis.

By expanding the scale more detail will be available, thus proving easier to analyse. However the amount of time displayed on any one screen will be reduced.

Bargraph / Digital display

Bargraph / Digital display provides another format in which to display recorded data.

The DataLogger icons operate similar to those used in the waveform display. However one new icon is provided as a toggle option from bargraph to digital display.



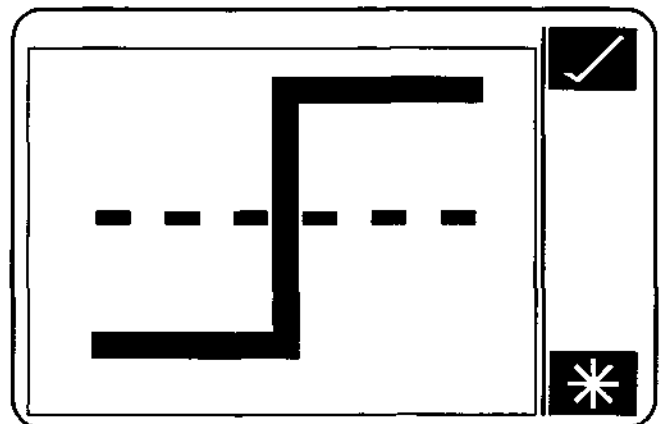
Bargraph / Digital Display

On-Road Trigger

When on-road trigger is selected using the motorway icon from the main menu a symbol is displayed over the entire screen display area.

This option is intended for use during on-road tests to ensure that the PDU screen does not distract the driver.

Press the record icon to start capturing data, a trigger icon will replace the record icon.



Datalogger Trigger Icon

Press the trigger icon to instigate the manual trigger.

Once the trigger procedure has occurred, a stop icon will replace the trigger icon. Press the stop icon to stop capturing data.

Datalogger Example

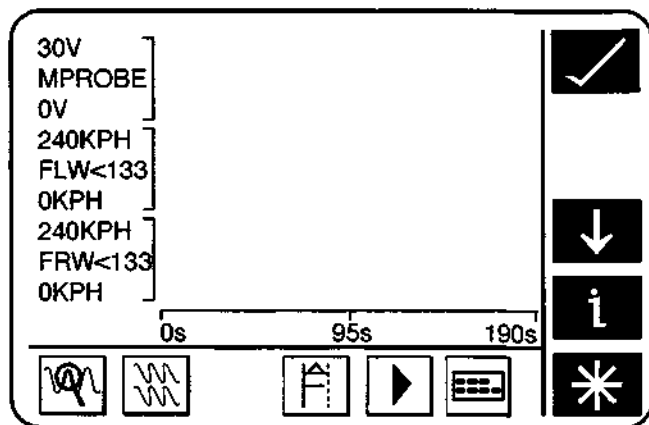
A customer reported intermittent illumination of the anti-lock Brakes (ABS) warning lamp.

The ABS control module was interrogated, producing fault code 33 (95 MY), right-rear wheel speed sensor.

The PDU was used to check the wheel speed sensor output using the ABS warning lamp as a trigger.

The PDU was setup to the vehicle's configurations and DataLogger was accessed.

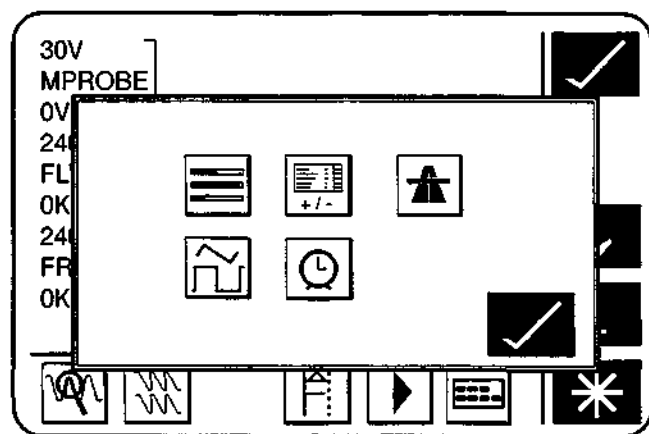
DataLogger automatically defaulted to the waveform screen.



Datalogger Waveform Screen

The main menu icon was selected to access the main menu screen.

The main menu screen is the main control screen for access to DataLogger's subsystems.

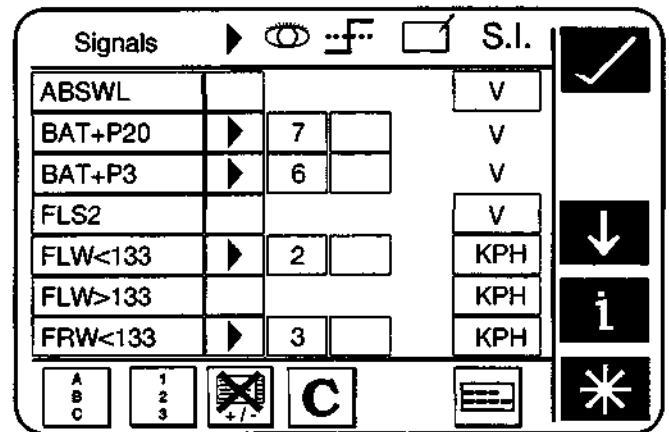


Datalogger Main Menu



The customisation icon was selected, and the selection was confirmed using the 'tick' icon.

The parameter customisation screen was then displayed.



Parameter Customisation Screen

All pre-defined parameters were cancelled using the 'C' icon, the screen was now similar to that below.

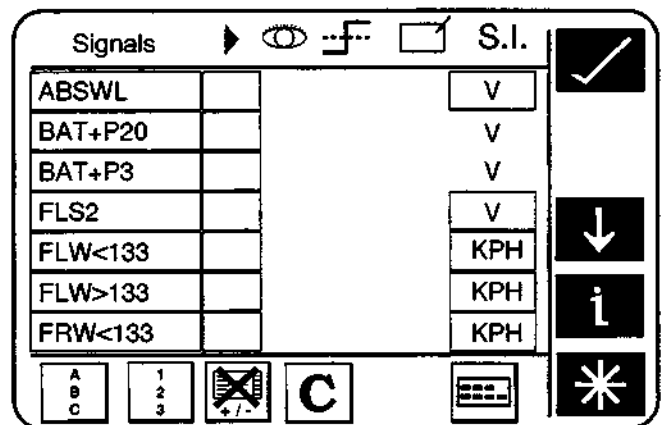


Fig. 35 Parameter Setup

The rectangle below the play icon next to 'ABSWL' (Anti-lock Brakes System Warning Lamp) was selected to be recorded.

The rectangle below the 'eye' icon in the 'ABSWL' row was selected to be recorded.

The screen was scrolled down until 'RLW<133' was displayed.

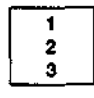
The rectangle below the play icon in row 'RLW<133' was selected.

The rectangle below the eye icon in row 'RLW<133' was selected.

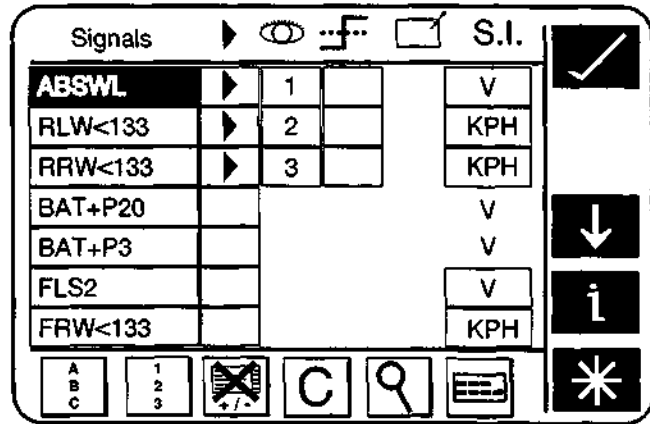
The screen was scrolled down until 'RRW<133' was displayed.

The rectangle below the play icon on row 'RRW<133' was selected.


The rectangle below the eye icon in row 'RRW<133' was selected.

 The 're-order' icon was then selected; this places the record enabled parameters at the top of the parameter list in numerical order.

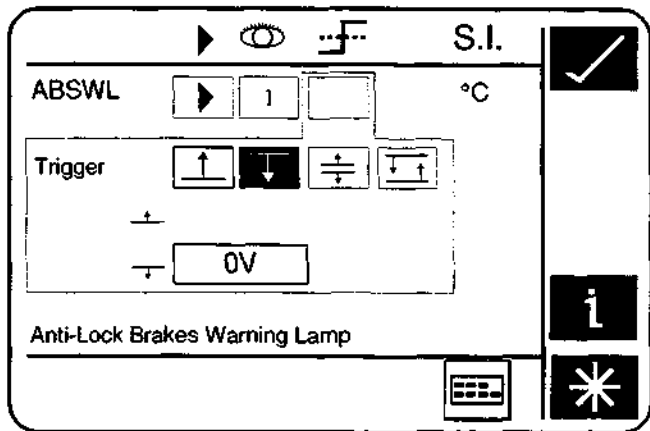
The 'ABSWL' parameter was then selected and the trigger switched on by touching the rectangle in the ABSWL line below the trigger symbol.



ABS Warning Light selection

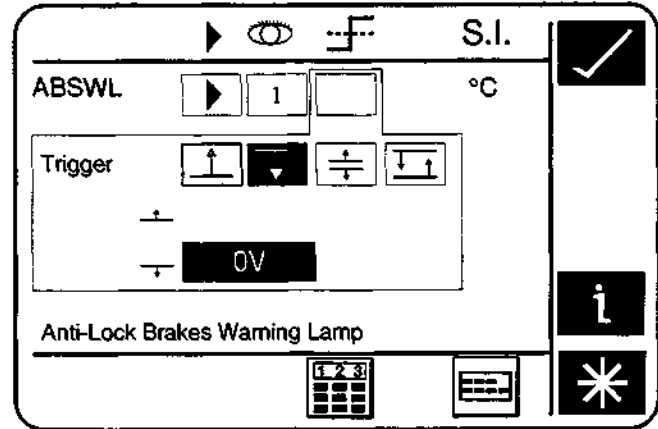
 The magnifying-glass type icon was then selected to lead to the trigger customization screen.

The 'falling-edge' trigger icon was then selected. DataLogger will then trigger from the ABSWL when the signal passes below a specified value.




Falling Edge Trigger Icon

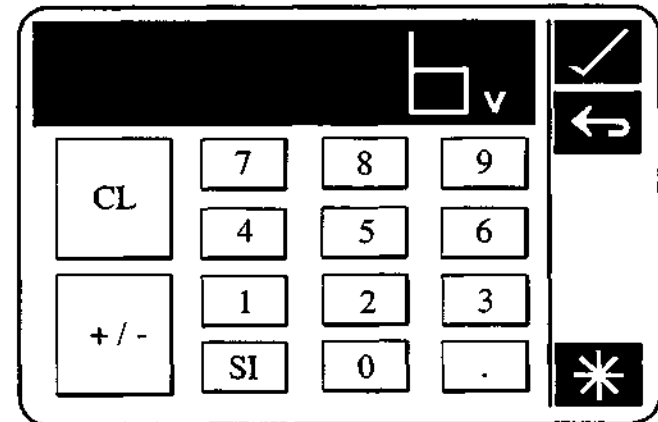
The 'OV' rectangle was then selected.



Selection of the 0V trigger point

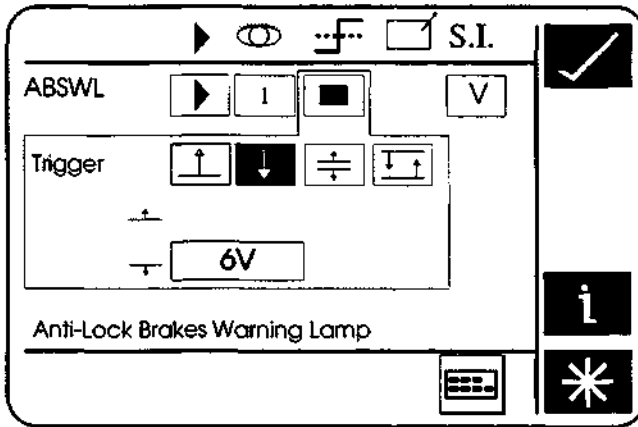
 The calculator-style icon was then selected to alter the trigger value.

Using the calculator-style screen buttons, a threshold value of 6 Volts was entered.



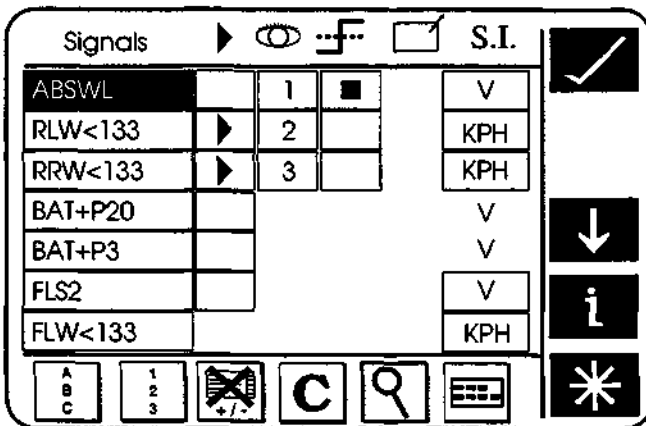
Trigger Point setting to 6V

The 'tick' icon was selected to return to the trigger screen which will then be as shown below.



The Trigger Set-Up Screen

The 'tick' icon was then selected to return to the parameter customisation screen. The screen should now look similar to that below.



Parameter Customisation - Final Setup

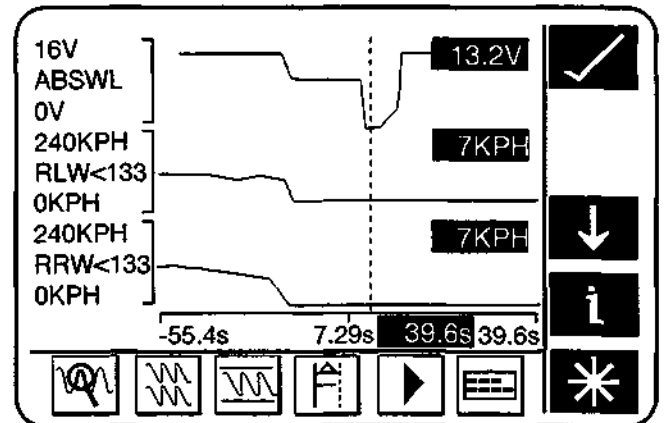
The 'tick' icon was pressed to access the waveform display.

The PDU was now ready to start recording data.

The 'record' icon was selected to start recording data.

When the fault occurred, the ABS warning lamp automatically triggered the PDU. This will place a fixed cursor on the screen and set the time base to zero. The PDU will stop recording after the preset record time. If no record time has been entered, the PDU will use its default record time of 16minutes and 40 seconds. 8m20s pre-trigger and 8m20s post trigger.

The following figure indicates the typical waveform display for the wheel speed sensor fault. The dotted vertical line represents the trigger point.



Wheel Speed Sensor Display

Training

The training programme incorporated into the PDU software is designed to cover the needs of new users and those who have basic PDU skills but require further training on the DMM and Datalogger functions.

Select 'Training' from the PDU main menu to bring up the training menu.

New User Training

The new user training program takes the student through a structured sequence of activities to learn the meaning and use of the basic screen icons. The trainee may then work through programmed exercises to learn the digital multi-meter and then the datalogger functions.

Existing User Training Menu

In this program the existing user may select training from the following list:

- User Screen Controls
- Digital Multi-Meter
- Datalogger

OBD II Scan Tool (Not 95 MY)

The OBD II Scan Tool is designed to access the memories of the engine and transmission control units to monitor and extract data relative to emissions control.

The following types of data may be accessed:

- Current Powertrain Data
- Monitor Freeze Frame Data
- Request Trouble Codes
- Clear Trouble Codes
- Request Oxygen Sensor Test Results
- Monitor Oxygen Sensors
- Display Pending Trouble Codes
- Request On-Board Monitoring Test Results
- Examine Readiness Tests
- Malfunction Lamp Status

The data to be monitored is selected from the OBD II main menu.

For example if Monitor Freeze Frame Data is selected, the system will display up to 13 parameters which are always recorded when a fault code is logged. The parameters are as follows:

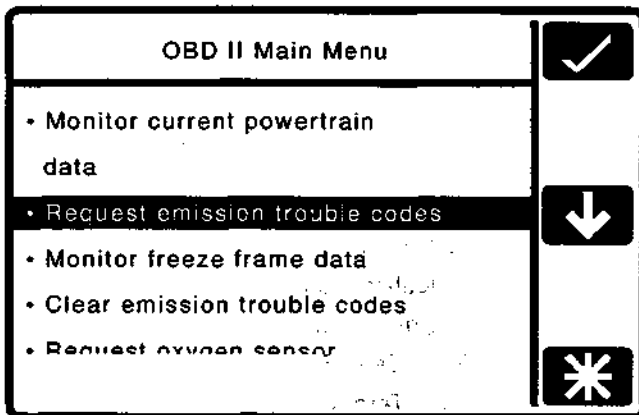
0 : SUPP	Supported
2 : FCFF	Fault Causing Freeze Frame
3 : FSS	Fuel System Status
4 : CLV	Calculated Load Value
5 : ECT	Engine Coolant Temperature
6 : STFT-B1	Short Term Fuel Trim - bank 1 (Cyl 1-3)
7 : LTFT-B1	Long Term Fuel Trim - bank 1 (Cyl 1-3)
8 : STFT-B2	Short Term Fuel Trim - bank 2 (Cyl 4-6)
9 : LTFT-B2	Long Term Fuel Trim - bank 2 (Cyl 4-6)
12 : RPM	Engine Speed
13 : VS	Vehicle Speed

Accessing Freeze Frame Data

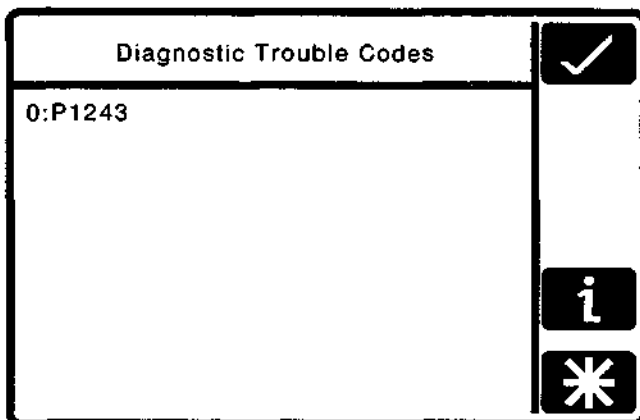
The freeze frame data is vital in analysing unresolved trouble codes. If an emissions related trouble code occurs, complete a diagnostic trouble code report form including the vehicle data, logged trouble codes and the freeze frame data. Fax a copy of the form to Aston Martin Service Operations Department who will assist in resolving the concern.

To access freeze frame data, proceed as follows:

1. Switch on the PDU and select 'Engine Diagnostics'.
2. Select 'OBD II Scan Tool'. The scan tool software will load and the 'Cable Setup' screen will appear.
3. Connect the PDU to the lower diagnostic socket using the multi protocol adaptor (MPA). Switch on the ignition. After communications are established, the OBD II Main Menu will appear.

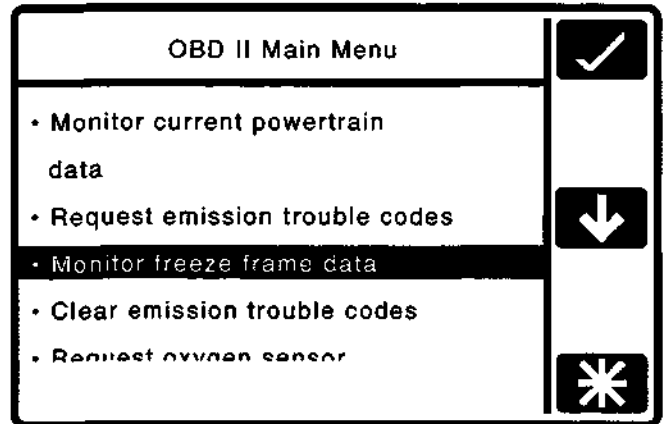


4. Select 'Request Emission Trouble Codes' and press the 'tick' icon.

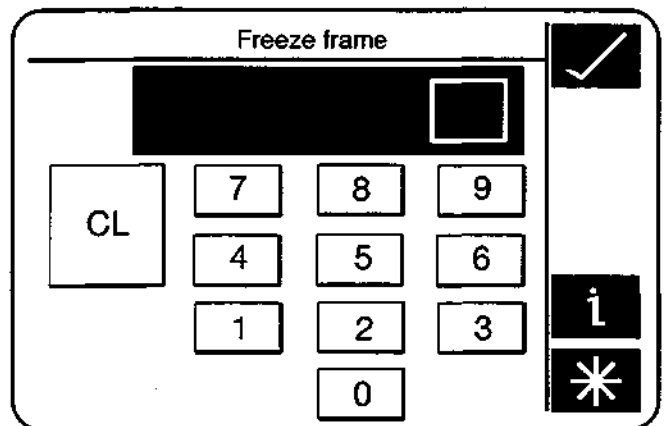


5. Any logged diagnostic trouble codes will be displayed on the screen (e.g. 0:P1243). Record both the list number (e.g. 0, 1, 2, etc) and the logged 'P' codes (e.g. P1243, etc).

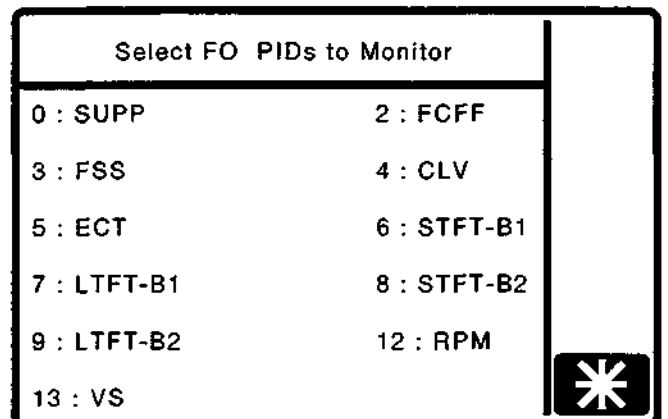
6. Press the 'tick' icon and return to the OBD II main menu.



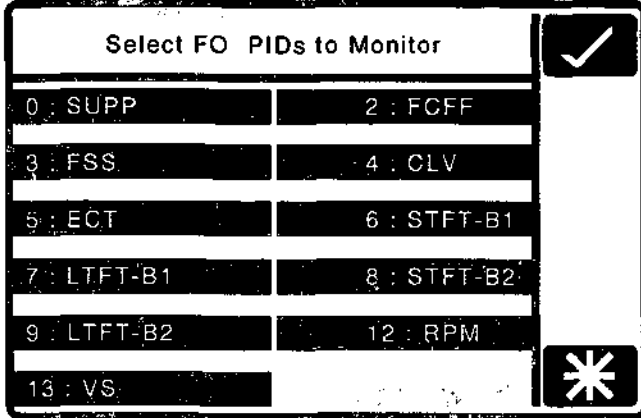
7. Select 'Monitor Freeze Frame Data' and press the 'tick' icon.
8. The numeric keypad screen will appear. Enter the list number noted in step 5 for the fault code to be investigated and press the 'tick' icon.



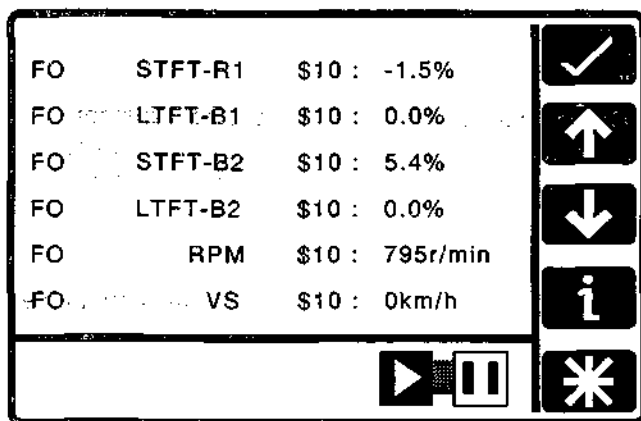
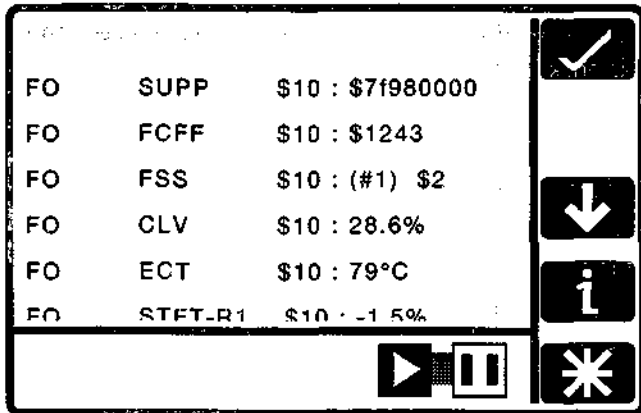
9. The 'Select PIDS to Monitor' screen will appear.



10. Select all PIDS (Parameter Identifications) and press the 'tick' icon.



11. The freeze frame data for the selected parameters will appear (Press the down arrow to scroll to the lower part of the display).



12. Enter the freeze frame data onto the DTC Report Form together with the vehicle details and 'P' codes.
13. Select the 'asterisk' icon and return to the main PDU menu.

User Self Test

The self-test function built into the PDU software enables users to completely test the system for faulty modules and cables. By following the screen instructions, faulty system components can be identified.

Procedure

Select User Self-Test from the PDU main menu. The self-test software will load from the CD.

The first screen shows the cable setup with the PDU connected to the base station. After confirming that the connections are correct, the self-test sequence begins.

The initial test is of the PDU and base station electronics and takes slightly less than 2 minutes.

The user is then directed to connect the various external elements of the system in turn and confirm the cable setup at each stage. As each element is connected and tested, the sequence will either direct that the next element is connected or will report a fault in the last element tested.

Using this procedure, any faulty element in the system will be identified. If the self-test concludes with no fault reported, any problem encountered must be in the vehicle or as a result of incorrect use.

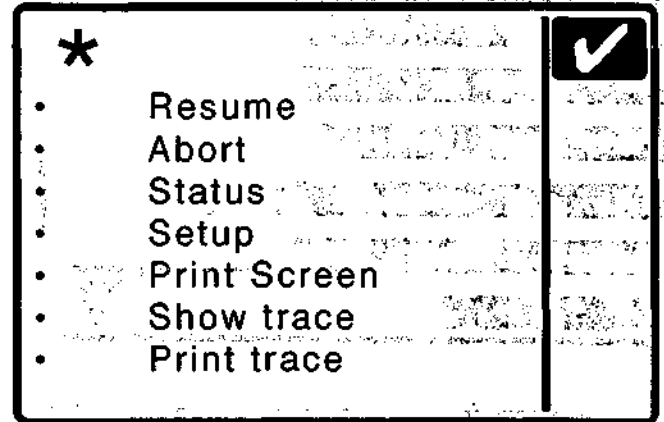
Self-Test Problems

If the self test software will not load or if unidentified problems are encountered during the self-test, go to the problem solving procedure in the PDU installation guide.

Be prepared to record any problem codes which are reported during problem solving. The Genrad Service Centre will require the problem code number to identify the correct remedial action and replacement parts.

The Asterisk (*) Icon

When available, selecting the asterisk icon will bring up the following menu of general facilities:



Resume

Return to the screen from which you selected the asterisk icon.

Abort

Return to the PDU Main Menu.

Status

Show the current software level and the application currently loaded.

Print Screen

Send the current screen display to the printer.

Show Trace

Display the current contents of the trace memory on the screen (Use the Down and Up arrows to scroll through the display if more than one screenful).

Print Trace

Send the current contents of the trace memory to the printer.

System Setup

The System Setup Menu may be accessed at any time from the asterisk (*) menu. The menu provides system configuration options for the following parameters:

Display Mode

Sets the screen to either Black on White or White on Black display

Trace Mode

Sets the trace information gathering to All the Time or Only After a Fault.

Trace Type

Sets the trace system to gather Everything or Only Test Information.

Fault Override

If fault override is OFF, the trace recording will stop when a fault occurs. With fault override set to ON, trace recording will continue after fault occurrence and show vehicle performance after the fault.

Language

Permits selection of one of the following languages:

- English
- German
- French
- Italian
- Japanese

Caution: Check that the correct language is selected. If you accidentally select and confirm the wrong language, it may be difficult to configure the system back to a familiar language.