

Chapter V

Wiring diagrams

Rolls-Royce Camargue
Rolls-Royce Silver Shadow II
Rolls-Royce Silver Wraith II
Bentley T2
Corniche Saloon
Corniche Convertible

Chapter V

Issue record sheet 1

June 1980

The dates quoted below refer to the issue date of individual pages within this chapter.

Section V1		V1 Supp. No.1	
Page No.	Diagrams Sheet No.	Page No.	Diagrams Sheet No.
1	June 80	1	May 80
2	June 80	2	Dec 78
3	Dec 78	3	Dec 78
4		4	Dec 78
5		5	
6		6	
7		7	
8		8	
9		9	
10		10	
11		11	
12		12	
13		13	
14		14	
15		15	
16		16	
17		17	
18		18	
19		19	
20		20	
21		21	
22		22	
23		23	
24		24	
25		25	
26		26	
27		27	
28		28	
29		29	
30		30	
31		31	
32		32	
33		33	
34		34	
35		35	
36		36	
37		37	
38		38	
39		39	
40		40	
41		41	
42		42	
43		43	
44		44	
45		45	
46		46	
47		47	
48		48	

Section VI

Theoretical wiring diagrams

Contents

Cars from car serial number 30 001

	Sheet
Rolls-Royce Silver Shadow II, Bentley T2, Rolls-Royce Silver Wraith II (without division)	
Right-hand drive cars	1
Left-hand drive cars for countries other than USA and Canada	2
Left-hand drive cars for USA and Canada with the exception of cars built to the 1980 Californian specification	3
Rolls-Royce Silver Wraith II (with division)	
Right-hand drive cars	4
Left-hand drive cars for countries other than USA and Canada	5
Rolls-Royce Corniche Convertible, Bentley Corniche Convertible	
Right-hand drive cars	6
Left-hand drive cars for countries other than USA and Canada	8
Left-hand drive cars for USA and Canada	10
Rolls-Royce Corniche Saloon, Bentley Corniche Saloon	
Right-hand drive cars	7
Left-hand drive cars for countries other than USA and Canada	9
Left-hand drive cars for USA and Canada	11
Rolls-Royce Camargue	
Right-hand drive cars	12
Left-hand drive cars for countries other than USA and Canada	13
Left-hand drive cars for USA and Canada	14
Rolls-Royce Silver Shadow II, Bentley T2 and Rolls-Royce Silver Wraith II 1980 model year cars for California	15

This wiring diagram can also be used with regard to the fuel injection system for Corniche and Camargue cars built to the 1980 Californian specification.

For items other than those concerning the fuel injection system refer to sheets 10, 11 and 14 respectively

Cars from car serial numbers

Silver Shadow II	-	SRX 34573
Silver Wraith II	-	LRG 34601
Bentley T2	-	SBH 34775
Corniche Saloon	-	CRH 34830
Corniche Convertible	-	DRX 33029

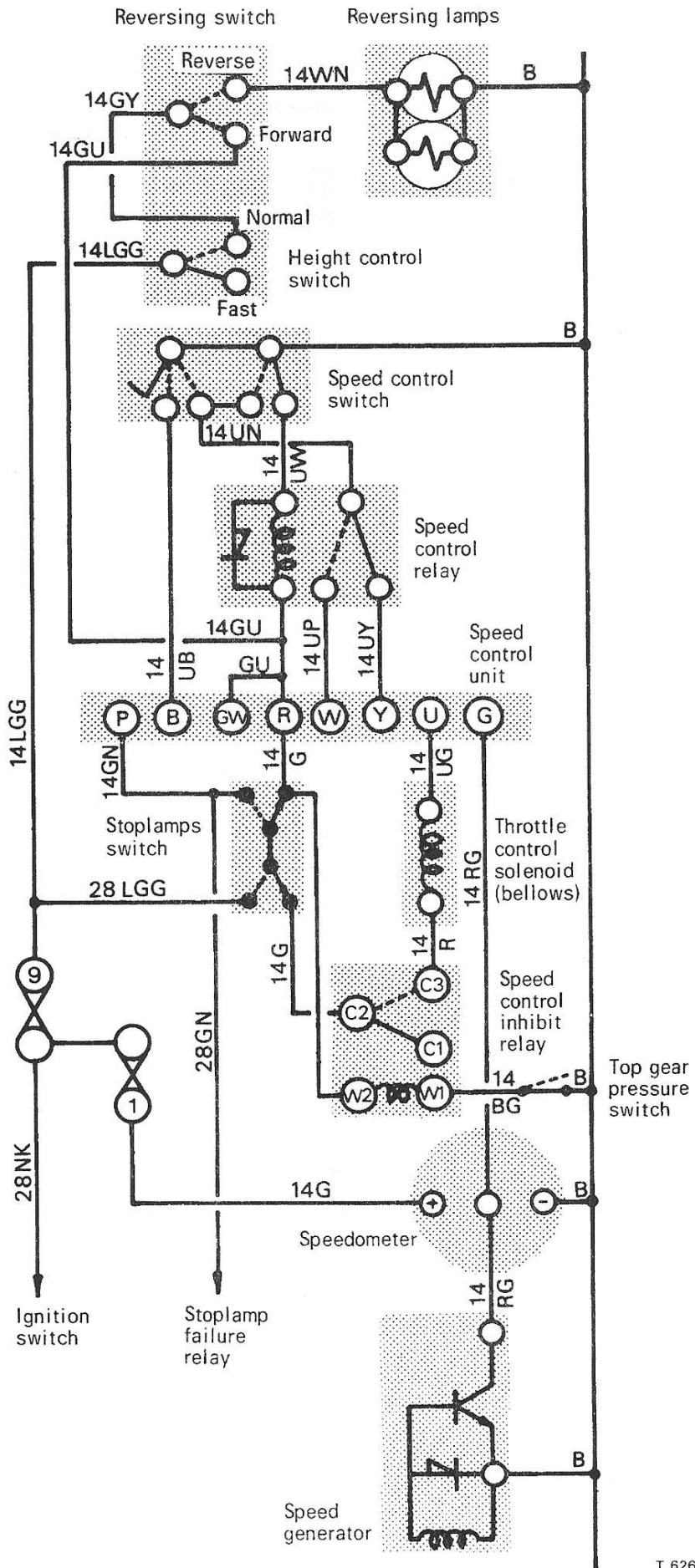
Refer to Supplement number 1

Section VI

Theoretical wiring diagrams
Modification number 1

Affecting sheets 1 to 14 inclusive
Applicable to all cars from car
serial number 30 001

Speed control, stoplamps switch
and associated wiring



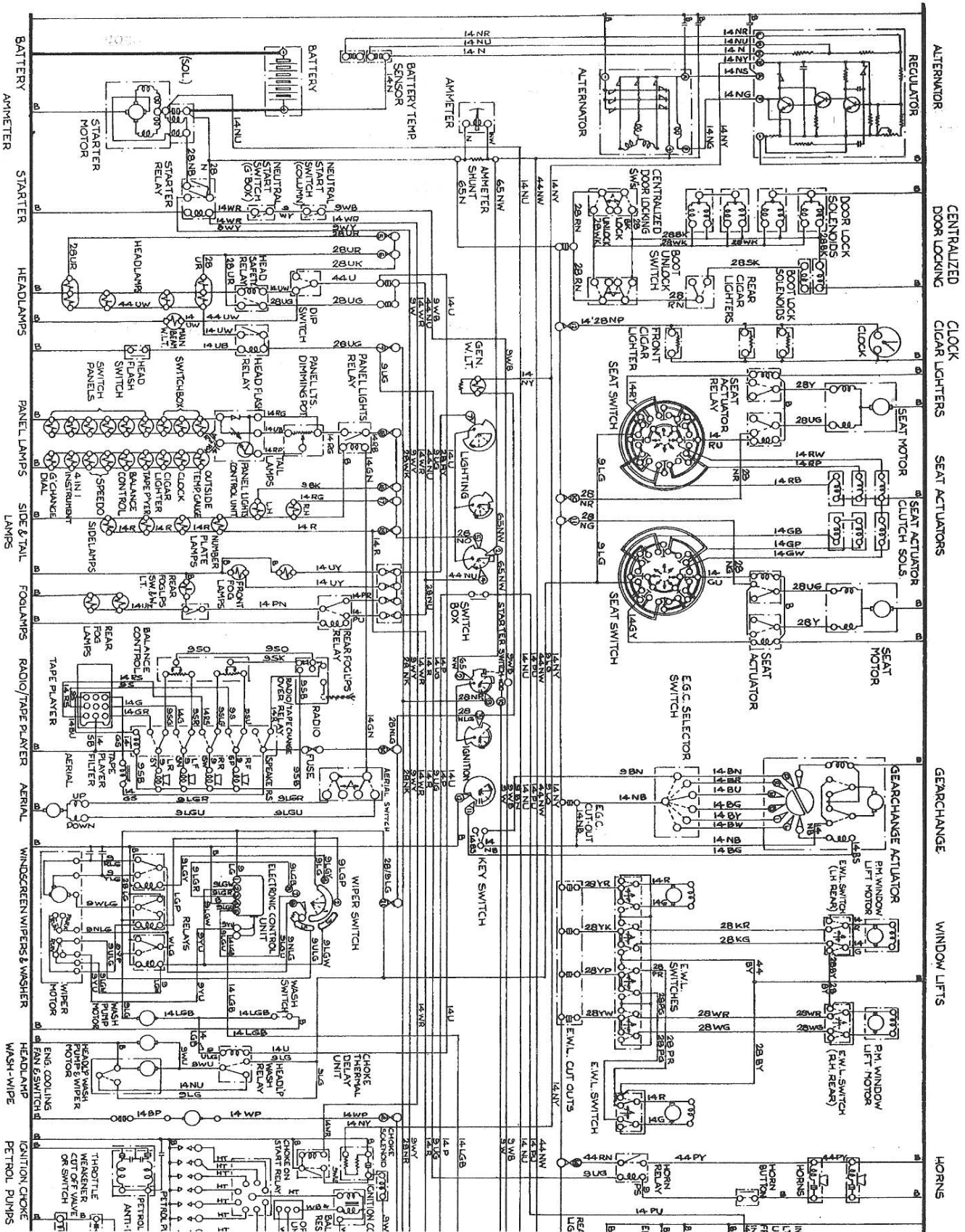
Theoretical wiring diagram
Sheet 1

Rolls-Royce Silver Shadow II
Bentley T2
Rolls-Royce Silver Wraith II
(without division)

Right-hand drive cars from
car serial number 30 001

This document is the property of Rolls-Royce Motors Limited and may not be copied or communicated to a third party or used for any purpose other than that for which it is supplied without the express written authority of Rolls-Royce Motors Limited.

Whilst the information in this document is given in good faith based upon the latest knowledge available to Rolls-Royce Motors Limited, Rolls-Royce Motors Limited gives no warranty or representation concerning such information, and such information must not be taken as establishing any contractual or other commitment on the part of Rolls-Royce Motors Limited.



* SEE MODIFICATION 1

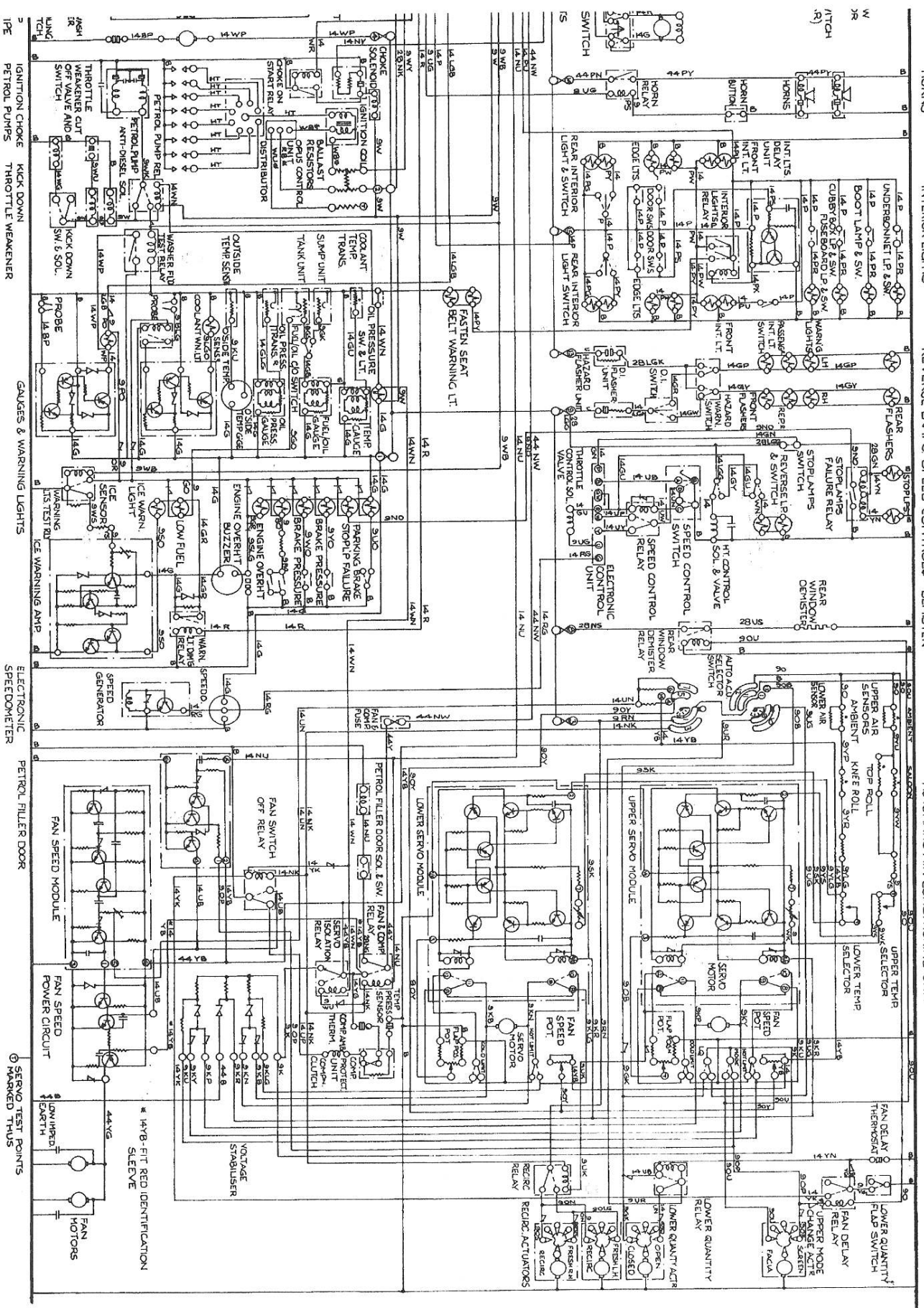
HORNS

INTERIOR LIGHTS

DIRECTION WARNING STORLAMP
HAZARD WARNING STORLAMP
REVERSE LAMP SPEED CONTROL

REAR WINDOW
DENISTER

AUTOMATIC AIR CONDITIONING UNIT



IGNITION CHOKE KICK DOWN
THROTTLE WEAKENER
PETROL PUMPS THROTTLE WEAKENER
CUT OFF VALVE

GAUGES & WARNING LIGHTS

ELECTRONIC SPEEDOMETER

PETROL FILTER DOOR

FAN SPEED MODULE

FAN SPEED POWER CIRCUIT

SERVO TEST POINTS
MARKED THUS

* 14V-B-FIT RED IDENTIFICATION SLEEVE

VOLTAGE STABILISER

FAN MOTORS

Theoretical wiring diagram

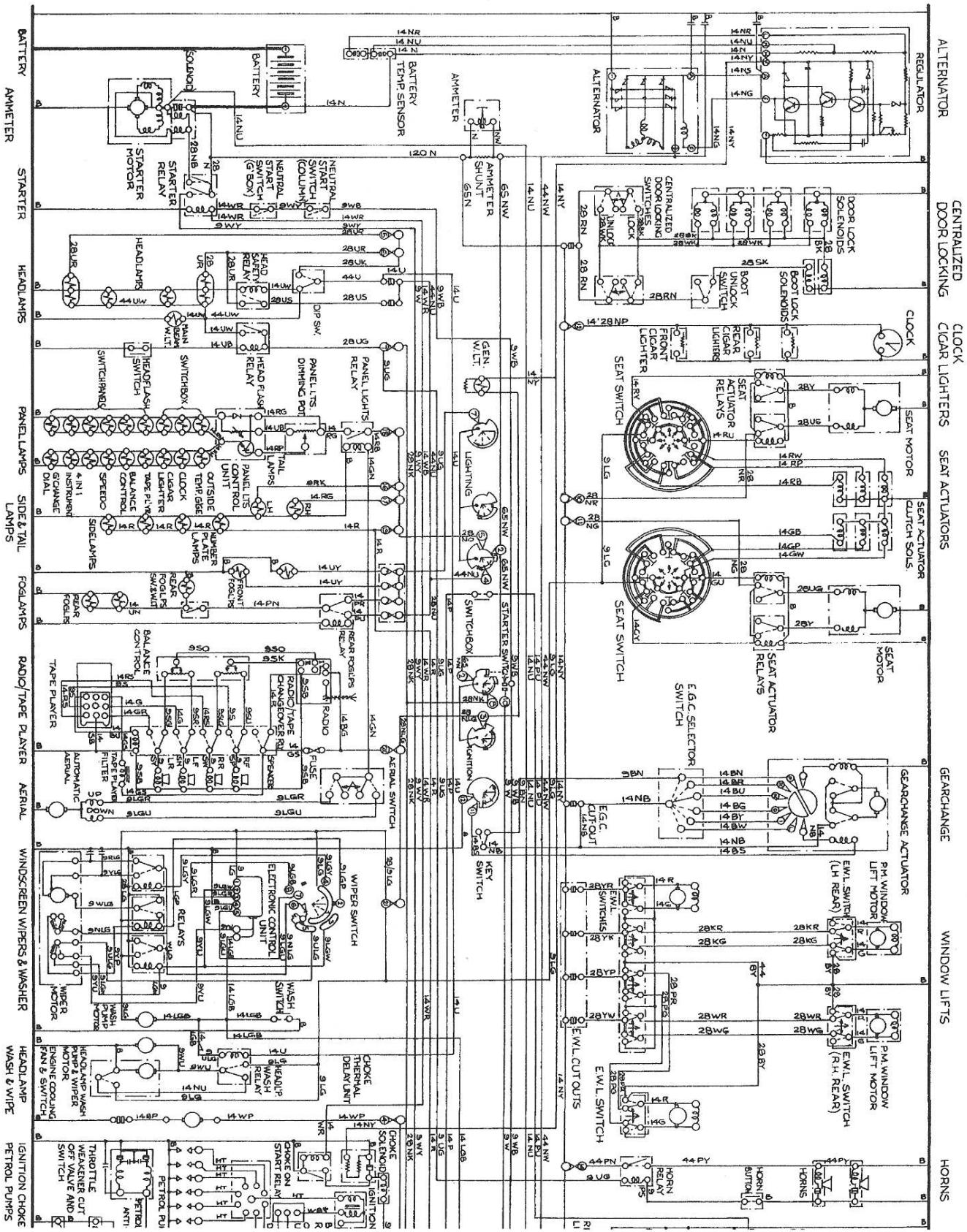
Sheet 2

**Rolls-Royce Silver Shadow II
Bentley T2
Rolls-Royce Silver Wraith II
(without division)**

Left-hand drive cars for countries other
than USA and Canada from car
serial number 30 001

This document is the property of Rolls-Royce Motors Limited and may not be copied or communicated to a third party or used for any purpose other than that for which it is supplied without the express written authority of Rolls-Royce Motors Limited.

Whilst the information in this document is given in good faith based upon the latest knowledge available to Rolls-Royce Motors Limited, Rolls-Royce Motors Limited gives no warranty or representation concerning such information, and such information must not be taken as establishing any contractual or other commitment on the part of Rolls-Royce Motors Limited.



SEE MODIFICATION 1

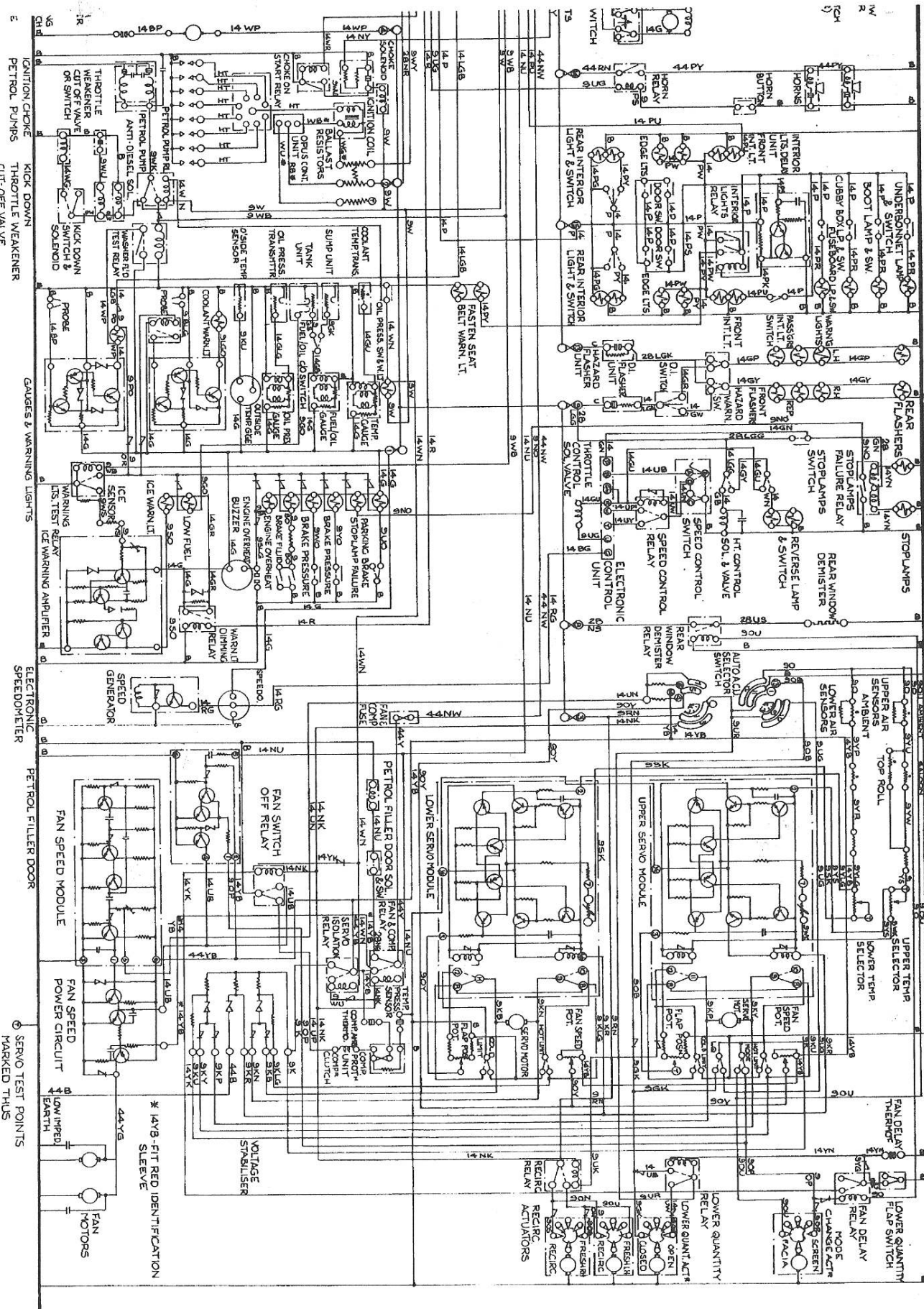
HORNS

INTERIOR LIGHTS

DIRECTION INDICATORS
HAZARD WARNING STOP LAMPS
REVERSE LAMPS SPEED CONTROL

REAR WINDOW
DENISTER

AUTOMATIC AIR CONDITIONING UNIT



IGNITION CHOKE KICK DOWN THROTTLE WEAKENER PETROL PUMPS THROTTLE WEAKENER CUT-OFF VALVE

Gauges & Warning Lights

PETROL FILLER DOOR

SERVO TEST POINTS MARKED THUS

* 14VB-FIT RED IDENTIFICATION SLEEVE

Theoretical wiring diagram

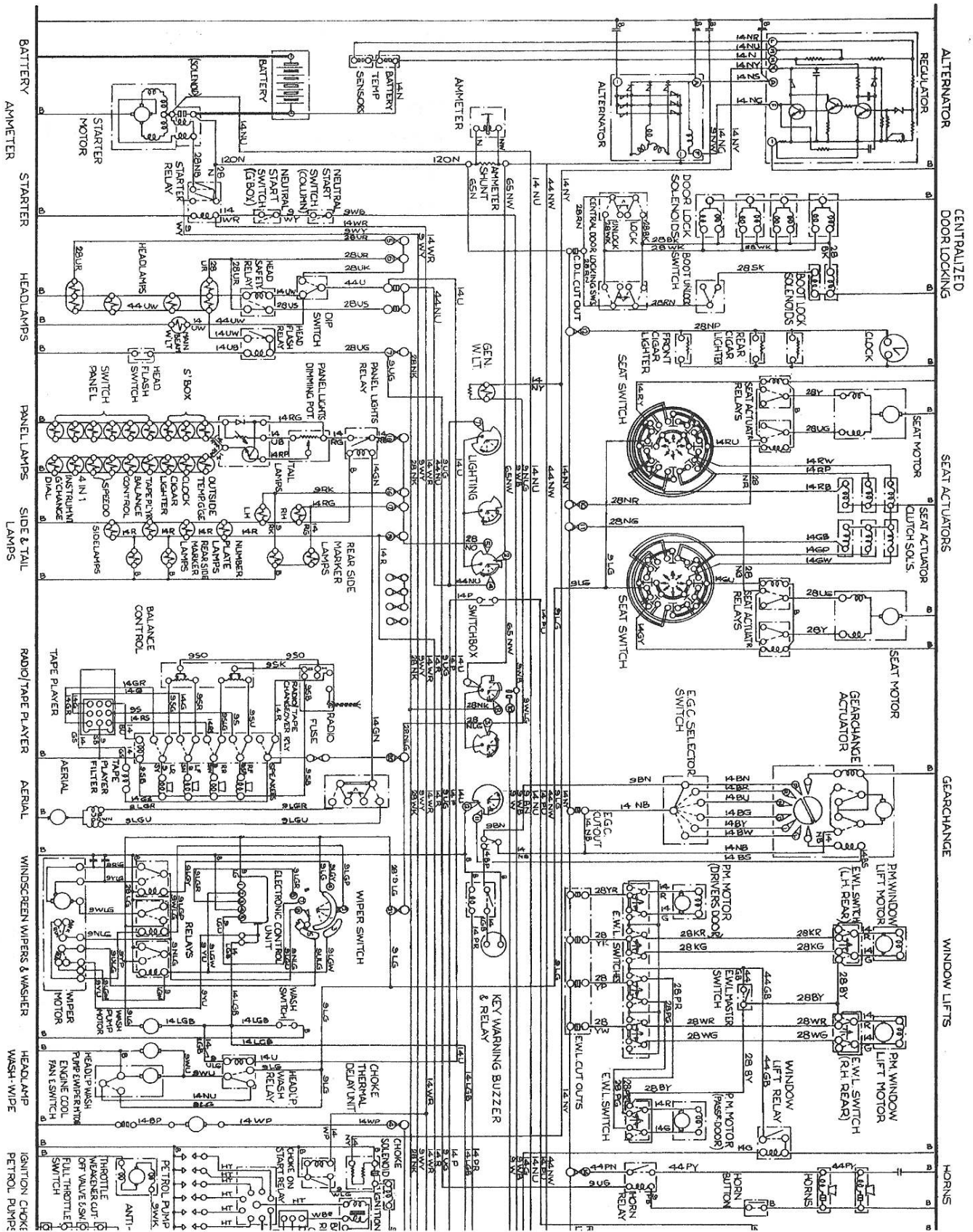
Sheet 3

**Rolls-Royce Silver Shadow II
Bentley T2
Rolls-Royce Silver Wraith II
(without division)**

Left-hand drive cars for USA and Canada
from car serial number 30 001

This document is the property of Rolls-Royce Motors Limited and may not be copied or communicated to a third party or used for any purpose other than that for which it is supplied without the express written authority of Rolls-Royce Motors Limited.

Whilst the information in this document is given in good faith based upon the latest knowledge available to Rolls-Royce Motors Limited, Rolls-Royce Motors Limited gives no warranty or representation concerning such information, and such information must not be taken as establishing any contractual or other commitment on the part of Rolls-Royce Motors Limited.



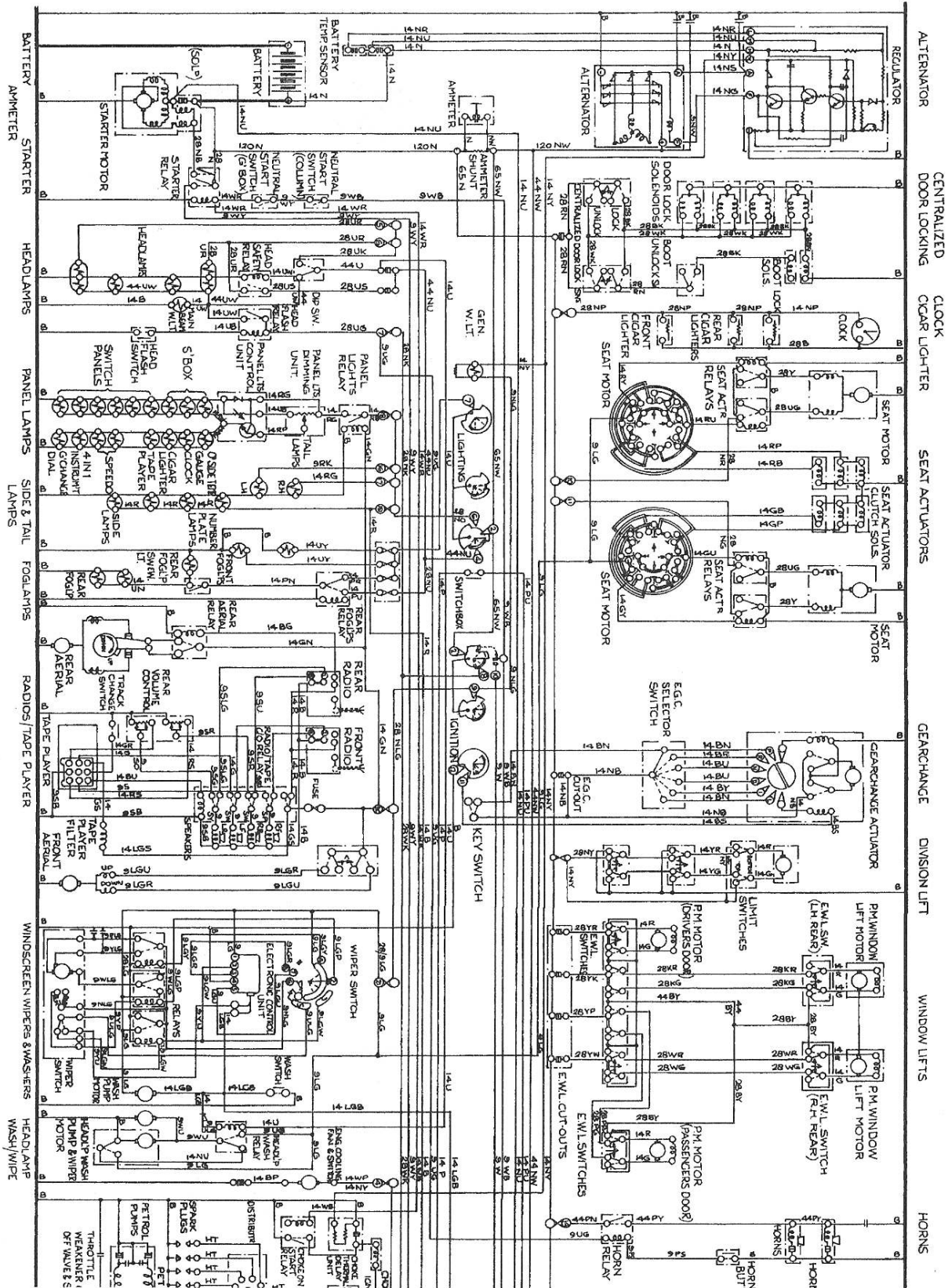
Theoretical wiring diagram
Sheet 4

**Rolls-Royce Silver Wraith II
(with division)**

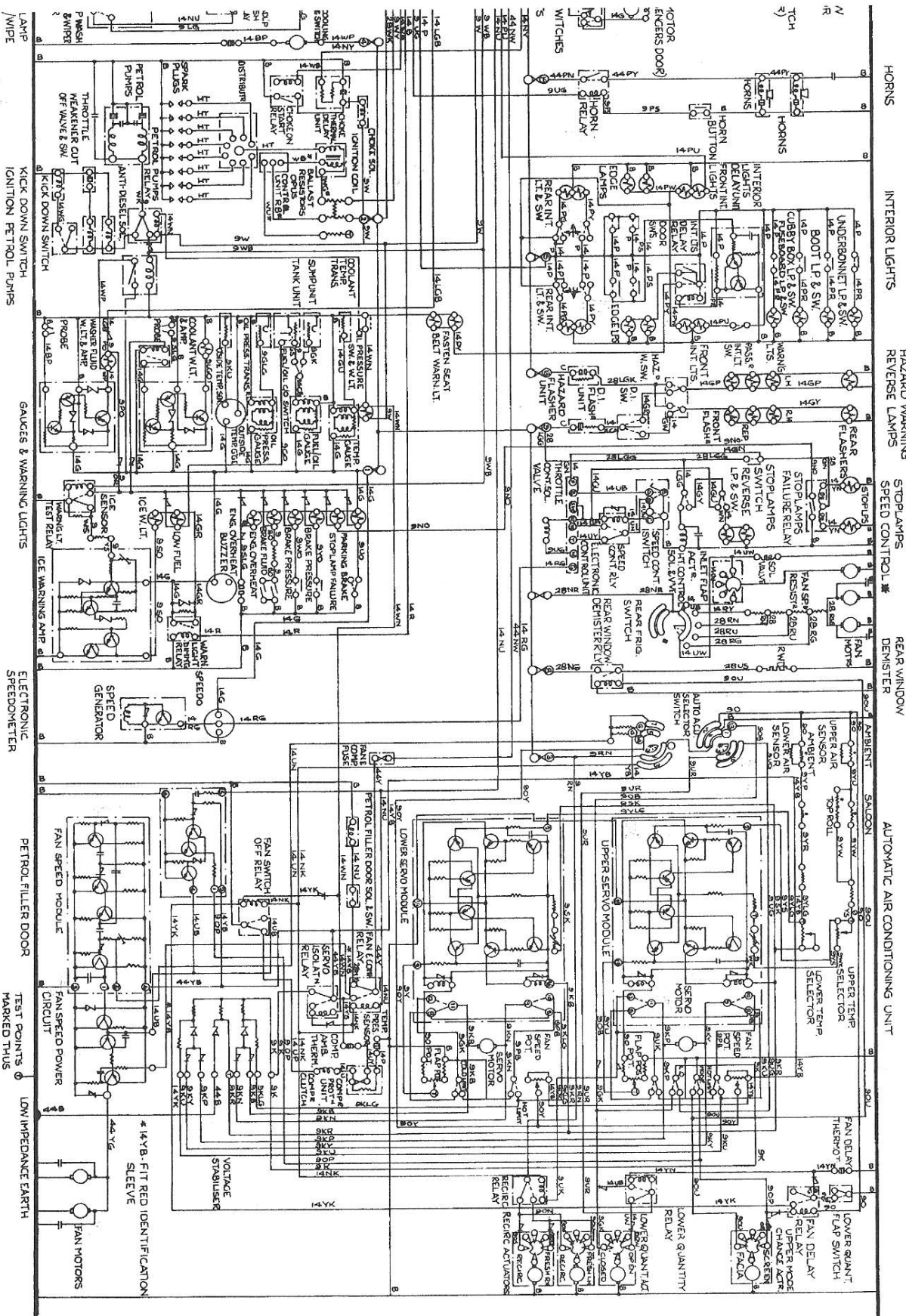
Right-hand drive cars from
car serial number 30 001

This document is the property of Rolls-Royce Motors Limited and may not be copied or communicated to a third party or used for any purpose other than that for which it is supplied without the express written authority of Rolls-Royce Motors Limited.

Whilst the information in this document is given in good faith based upon the latest knowledge available to Rolls-Royce Motors Limited, Rolls-Royce Motors Limited gives no warranty or representation concerning such information, and such information must not be taken as establishing any contractual or other commitment on the part of Rolls-Royce Motors Limited.



*** SEE MODIFICATION 1**



MOTOR (ENGINE DOOR)
 SWITCHES
 14A, 14B, 14C, 14D, 14E, 14F, 14G, 14H, 14J, 14K, 14L, 14M, 14N, 14P, 14Q, 14R, 14S, 14T, 14U, 14V, 14W, 14X, 14Y, 14Z, 14AA, 14AB, 14AC, 14AD, 14AE, 14AF, 14AG, 14AH, 14AJ, 14AK, 14AL, 14AM, 14AN, 14AP, 14AQ, 14AR, 14AS, 14AT, 14AU, 14AV, 14AW, 14AX, 14AY, 14AZ, 14BA, 14BB, 14BC, 14BD, 14BE, 14BF, 14BG, 14BH, 14BJ, 14BK, 14BL, 14BM, 14BN, 14BP, 14BQ, 14BR, 14BS, 14BT, 14BU, 14BV, 14BW, 14BX, 14BY, 14BZ, 14CA, 14CB, 14CC, 14CD, 14CE, 14CF, 14CG, 14CH, 14CJ, 14CK, 14CL, 14CM, 14CN, 14CP, 14CQ, 14CR, 14CS, 14CT, 14CU, 14CV, 14CW, 14CX, 14CY, 14CZ, 14DA, 14DB, 14DC, 14DD, 14DE, 14DF, 14DG, 14DH, 14DJ, 14DK, 14DL, 14DM, 14DN, 14DP, 14DQ, 14DR, 14DS, 14DT, 14DU, 14DV, 14DW, 14DX, 14DY, 14DZ, 14EA, 14EB, 14EC, 14ED, 14EE, 14EF, 14EG, 14EH, 14EJ, 14EK, 14EL, 14EM, 14EN, 14EP, 14EQ, 14ER, 14ES, 14ET, 14EU, 14EV, 14EW, 14EX, 14EY, 14EZ, 14FA, 14FB, 14FC, 14FD, 14FE, 14FF, 14FG, 14FH, 14FJ, 14FK, 14FL, 14FM, 14FN, 14FP, 14FQ, 14FR, 14FS, 14FT, 14FU, 14FV, 14FW, 14FX, 14FY, 14FZ, 14GA, 14GB, 14GC, 14GD, 14GE, 14GF, 14GG, 14GH, 14GJ, 14GK, 14GL, 14GM, 14GN, 14GP, 14GQ, 14GR, 14GS, 14GT, 14GU, 14GV, 14GW, 14GX, 14GY, 14GZ, 14HA, 14HB, 14HC, 14HD, 14HE, 14HF, 14HG, 14HH, 14HJ, 14HK, 14HL, 14HM, 14HN, 14HP, 14HQ, 14HR, 14HS, 14HT, 14HU, 14HV, 14HW, 14HX, 14HY, 14HZ, 14IA, 14IB, 14IC, 14ID, 14IE, 14IF, 14IG, 14IH, 14IJ, 14IK, 14IL, 14IM, 14IN, 14IP, 14IQ, 14IR, 14IS, 14IT, 14IU, 14IV, 14IW, 14IX, 14IY, 14IZ, 14JA, 14JB, 14JC, 14JD, 14JE, 14JF, 14JG, 14JH, 14JJ, 14JK, 14JL, 14JM, 14JN, 14JP, 14JQ, 14JR, 14JS, 14JT, 14JU, 14JV, 14JW, 14JX, 14JY, 14JZ, 14KA, 14KB, 14KC, 14KD, 14KE, 14KF, 14KG, 14KH, 14KJ, 14KK, 14KL, 14KM, 14KN, 14KP, 14KQ, 14KR, 14KS, 14KT, 14KU, 14KV, 14KW, 14KX, 14KY, 14KZ, 14LA, 14LB, 14LC, 14LD, 14LE, 14LF, 14LG, 14LH, 14LJ, 14LK, 14LL, 14LM, 14LN, 14LP, 14LQ, 14LR, 14LS, 14LT, 14LU, 14LV, 14LW, 14LX, 14LY, 14LZ, 14MA, 14MB, 14MC, 14MD, 14ME, 14MF, 14MG, 14MH, 14MJ, 14MK, 14ML, 14MN, 14MP, 14MQ, 14MR, 14MS, 14MT, 14MU, 14MV, 14MW, 14MX, 14MY, 14MZ, 14NA, 14NB, 14NC, 14ND, 14NE, 14NF, 14NG, 14NH, 14NJ, 14NK, 14NL, 14NM, 14NN, 14NP, 14NQ, 14NR, 14NS, 14NT, 14NU, 14NV, 14NW, 14NX, 14NY, 14NZ, 14OA, 14OB, 14OC, 14OD, 14OE, 14OF, 14OG, 14OH, 14OJ, 14OK, 14OL, 14OM, 14ON, 14OP, 14OQ, 14OR, 14OS, 14OT, 14OU, 14OV, 14OW, 14OX, 14OY, 14OZ, 14PA, 14PB, 14PC, 14PD, 14PE, 14PF, 14PG, 14PH, 14PJ, 14PK, 14PL, 14PM, 14PN, 14PP, 14PQ, 14PR, 14PS, 14PT, 14PU, 14PV, 14PW, 14PX, 14PY, 14PZ, 14QA, 14QB, 14QC, 14QD, 14QE, 14QF, 14QG, 14QH, 14QJ, 14QK, 14QL, 14QM, 14QN, 14QP, 14QQ, 14QR, 14QS, 14QT, 14QU, 14QV, 14QW, 14QX, 14QY, 14QZ, 14RA, 14RB, 14RC, 14RD, 14RE, 14RF, 14RG, 14RH, 14RJ, 14RK, 14RL, 14RM, 14RN, 14RP, 14RQ, 14RR, 14RS, 14RT, 14RU, 14RV, 14RW, 14RX, 14RY, 14RZ, 14SA, 14SB, 14SC, 14SD, 14SE, 14SF, 14SG, 14SH, 14SJ, 14SK, 14SL, 14SM, 14SN, 14SP, 14SQ, 14SR, 14SS, 14ST, 14SU, 14SV, 14SW, 14SX, 14SY, 14SZ, 14TA, 14TB, 14TC, 14TD, 14TE, 14TF, 14TG, 14TH, 14TJ, 14TK, 14TL, 14TM, 14TN, 14TP, 14TQ, 14TR, 14TS, 14TT, 14TU, 14TV, 14TW, 14TX, 14TY, 14TZ, 14UA, 14UB, 14UC, 14UD, 14UE, 14UF, 14UG, 14UH, 14UJ, 14UK, 14UL, 14UM, 14UN, 14UP, 14UQ, 14UR, 14US, 14UT, 14UU, 14UV, 14UW, 14UX, 14UY, 14UZ, 14VA, 14VB, 14VC, 14VD, 14VE, 14VF, 14VG, 14VH, 14VJ, 14VK, 14VL, 14VM, 14VN, 14VP, 14VQ, 14VR, 14VS, 14VT, 14VU, 14VV, 14VW, 14VX, 14VY, 14VZ, 14WA, 14WB, 14WC, 14WD, 14WE, 14WF, 14WG, 14WH, 14WJ, 14WK, 14WL, 14WM, 14WN, 14WP, 14WQ, 14WR, 14WS, 14WT, 14WU, 14WV, 14WW, 14WX, 14WY, 14WZ, 14XA, 14XB, 14XC, 14XD, 14XE, 14XF, 14XG, 14XH, 14XJ, 14XK, 14XL, 14XM, 14XN, 14XP, 14XQ, 14XR, 14XS, 14XT, 14XU, 14XV, 14XW, 14XX, 14XY, 14XZ, 14YA, 14YB, 14YC, 14YD, 14YE, 14YF, 14YG, 14YH, 14YJ, 14YK, 14YL, 14YM, 14YN, 14YP, 14YQ, 14YR, 14YS, 14YT, 14YU, 14YV, 14YW, 14YX, 14YY, 14YZ, 14ZA, 14ZB, 14ZC, 14ZD, 14ZE, 14ZF, 14ZG, 14ZH, 14ZJ, 14ZK, 14ZL, 14ZM, 14ZN, 14ZP, 14ZQ, 14ZR, 14ZS, 14ZT, 14ZU, 14ZV, 14ZW, 14ZX, 14ZY, 14ZZ

Theoretical wiring diagram

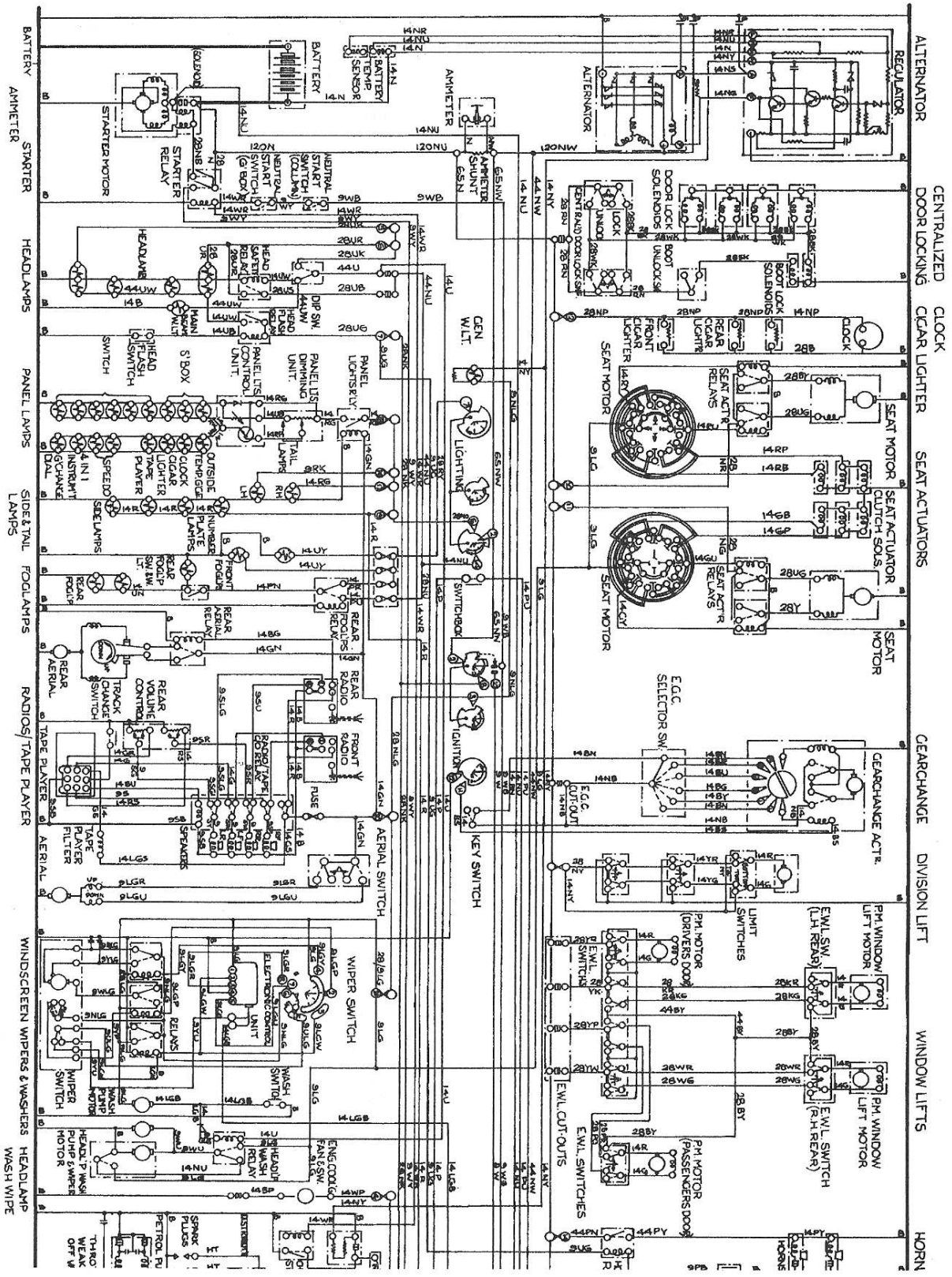
Sheet 5

Rolls-Royce Silver Wraith II (with division)

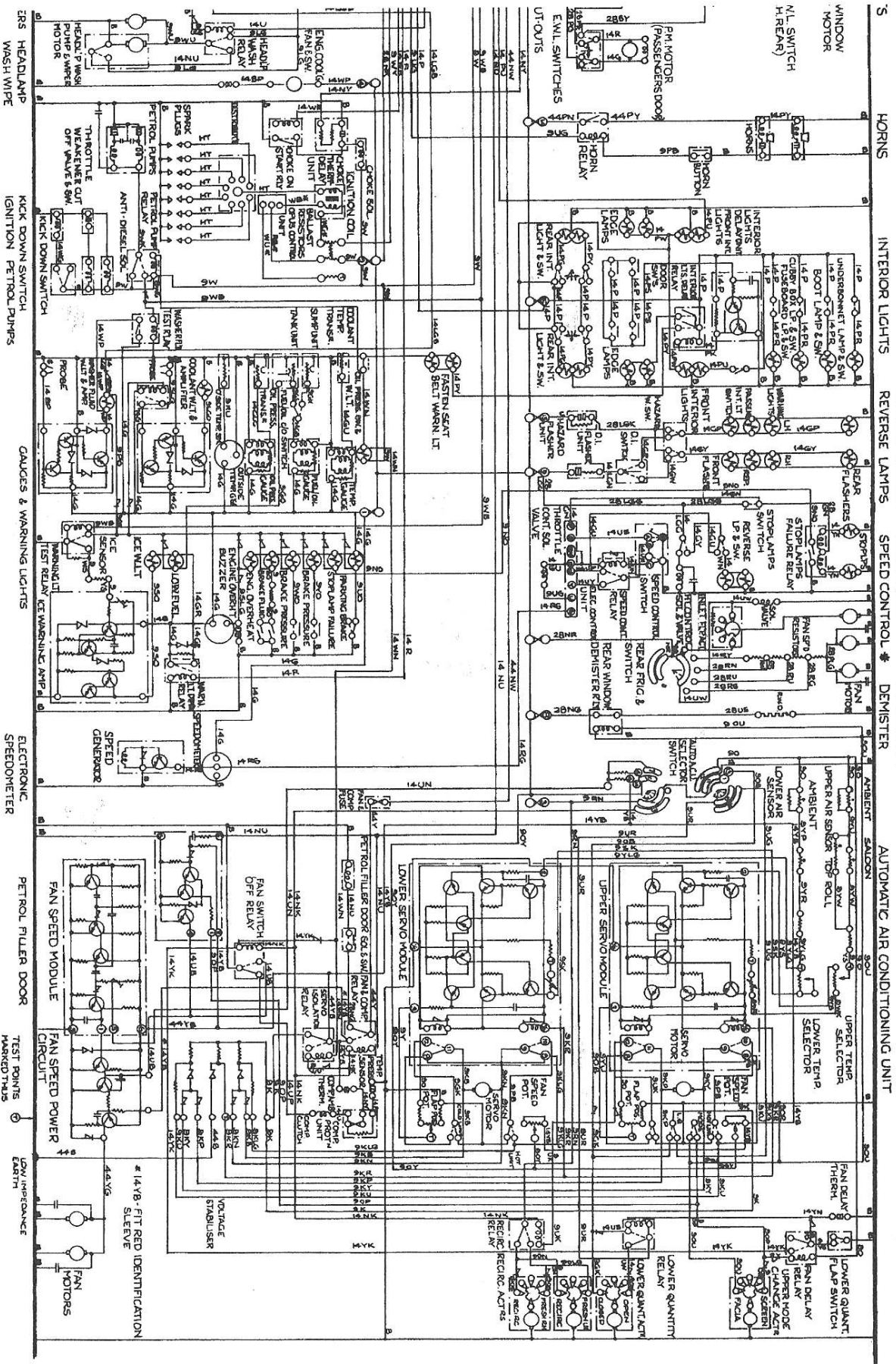
**Left-hand drive cars for countries other
than USA and Canada from car
serial number 30 001**

This document is the property of Rolls-Royce Motors Limited and may not be copied or communicated to a third party or used for any purpose other than that for which it is supplied without the express written authority of Rolls-Royce Motors Limited.

Whilst the information in this document is given in good faith based upon the latest knowledge available to Rolls-Royce Motors Limited, Rolls-Royce Motors Limited gives no warranty or representation concerning such information, and such information must not be taken as establishing any contractual or other commitment on the part of Rolls-Royce Motors Limited.



* SEE MODIFICATION 1



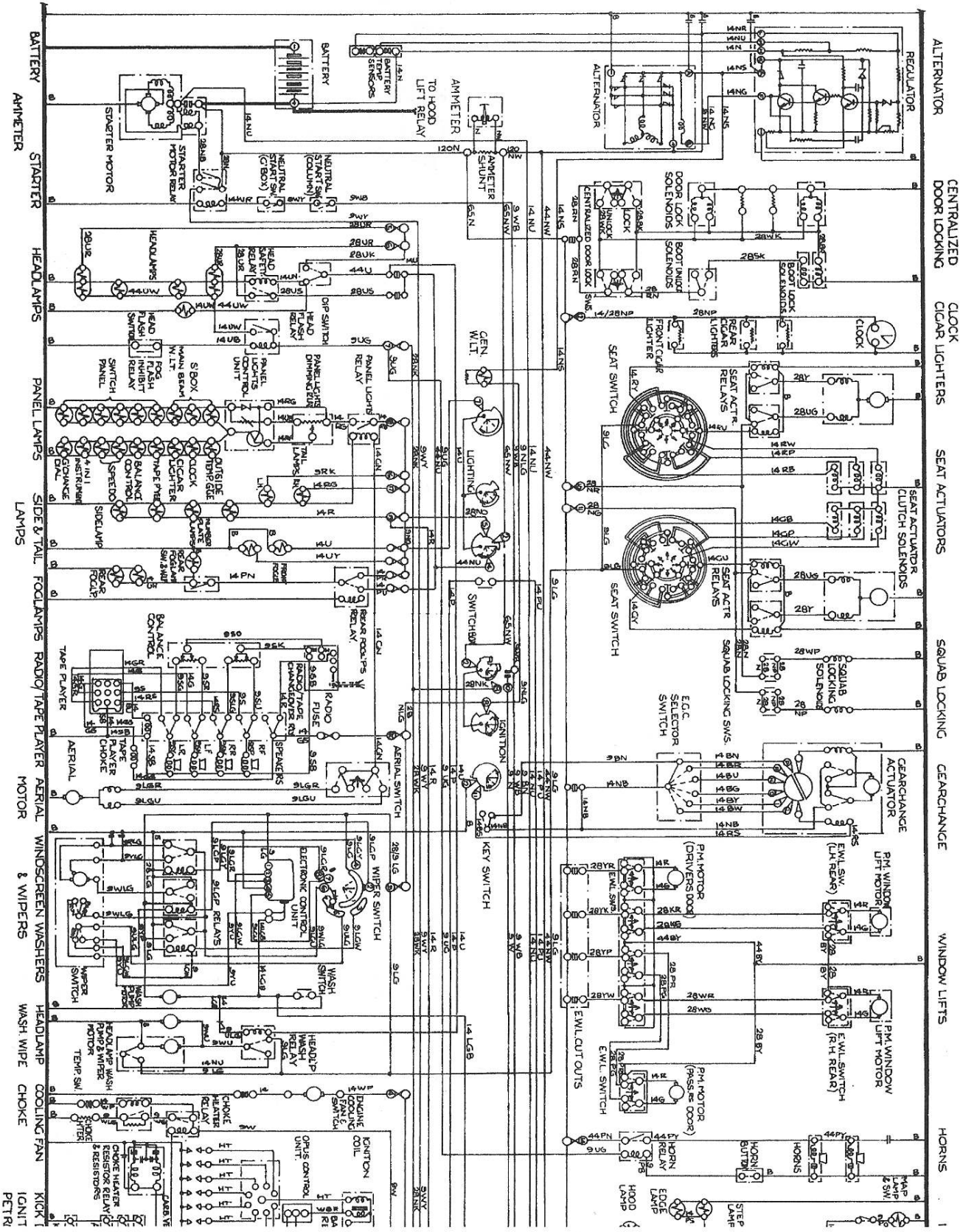
Theoretical wiring diagram
Sheet 6

**Rolls-Royce Corniche
Convertible
Bentley Corniche Convertible**

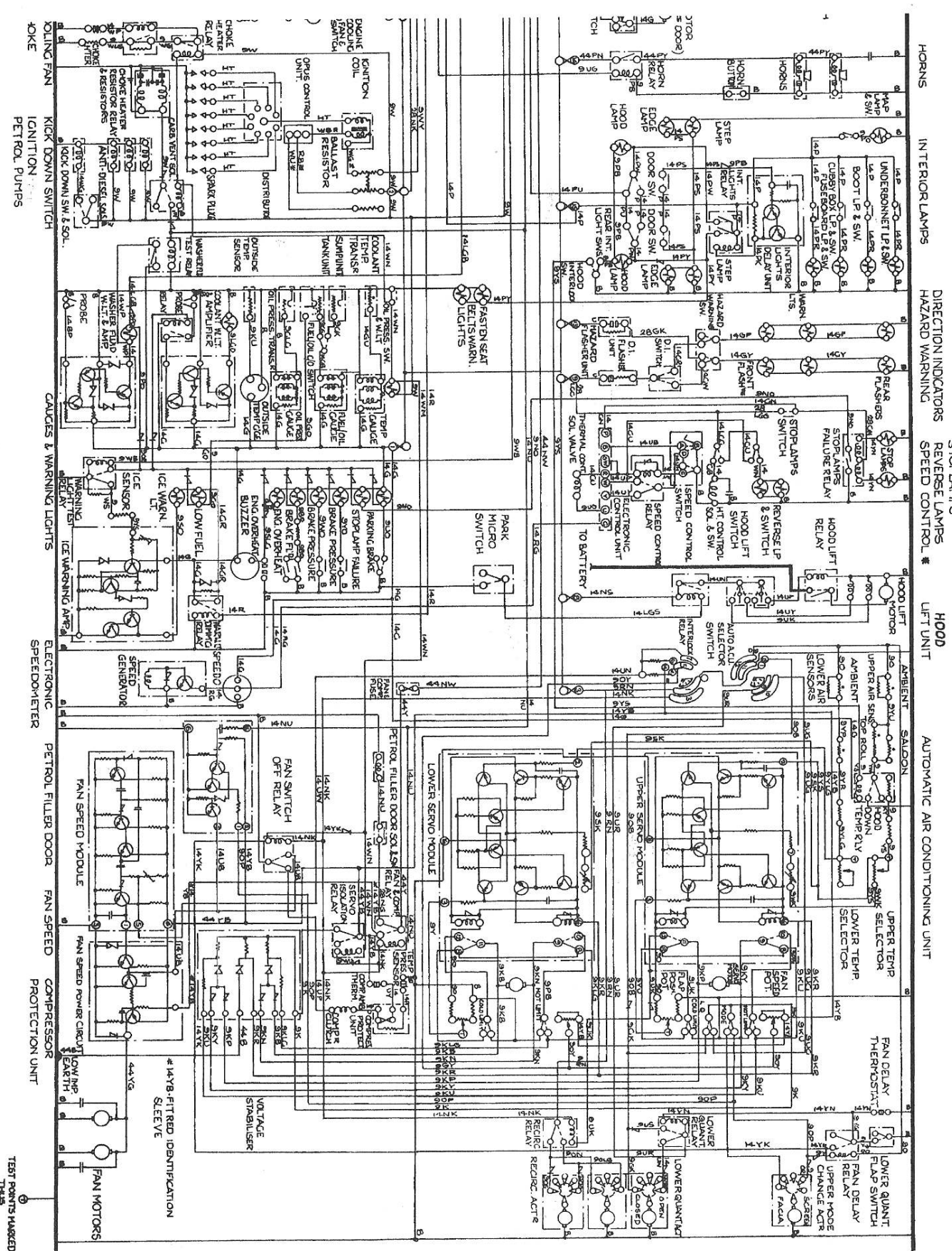
Right-hand drive cars from
car serial number 30 001

This document is the property of Rolls-Royce Motors Limited and may not be copied or communicated to a third party or used for any purpose other than that for which it is supplied without the express written authority of Rolls-Royce Motors Limited.

Whilst the information in this document is given in good faith based upon the latest knowledge available to Rolls-Royce Motors Limited, Rolls-Royce Motors Limited gives no warranty or representation concerning such information, and such information must not be taken as establishing any contractual or other commitment on the part of Rolls-Royce Motors Limited.



* SEE MODIFICATION 1



HORNS

INTERIOR LAMPS

DIRECTION INDICATORS
HAZARD WARNING

STOPLAMPS
REVERSE LAMPS
SPEED CONTROL

HOOD
LIFT UNIT

AUTOMATIC AIR CONDITIONING UNIT

IGNITION

KICK DOWN SWITCH
IGNITION

CAUGES & WARNING LIGHTS

ELECTRONIC
SPEEDMETER

PETROL FILTER DOOR
FAN SPEED

COMPRESSOR UNIT
PROTECTION UNIT

FAN SPEED MODULE
FAN SPEED

FAN MOTORS
TEST POINTS MARKED

IGNITION COIL
DISTRIBUTOR
BALLAST RESISTOR
ENGINE CONTROL UNIT

CHOKER HEATER
DISTRIBUTOR
IGNITION COIL
DISTRIBUTOR
BALLAST RESISTOR
ENGINE CONTROL UNIT

IGNITION COIL
DISTRIBUTOR
BALLAST RESISTOR
ENGINE CONTROL UNIT

IGNITION COIL
DISTRIBUTOR
BALLAST RESISTOR
ENGINE CONTROL UNIT

IGNITION COIL
DISTRIBUTOR
BALLAST RESISTOR
ENGINE CONTROL UNIT

IGNITION COIL
DISTRIBUTOR
BALLAST RESISTOR
ENGINE CONTROL UNIT

IGNITION COIL
DISTRIBUTOR
BALLAST RESISTOR
ENGINE CONTROL UNIT

IGNITION COIL
DISTRIBUTOR
BALLAST RESISTOR
ENGINE CONTROL UNIT

IGNITION COIL
DISTRIBUTOR
BALLAST RESISTOR
ENGINE CONTROL UNIT

IGNITION COIL
DISTRIBUTOR
BALLAST RESISTOR
ENGINE CONTROL UNIT

IGNITION COIL
DISTRIBUTOR
BALLAST RESISTOR
ENGINE CONTROL UNIT

Theoretical wiring diagram

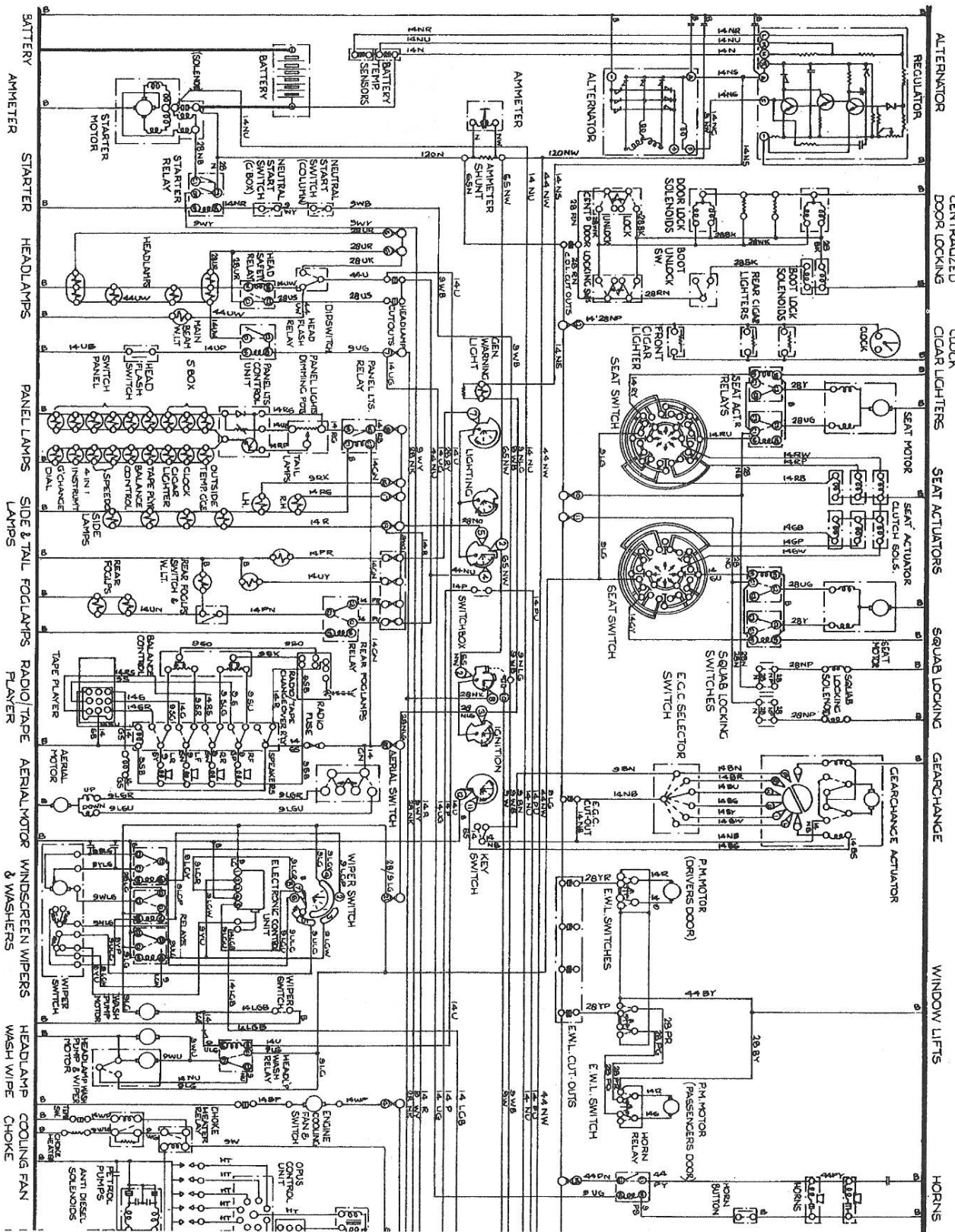
Sheet 7

**Rolls-Royce Corniche Saloon
Bentley Corniche Saloon**

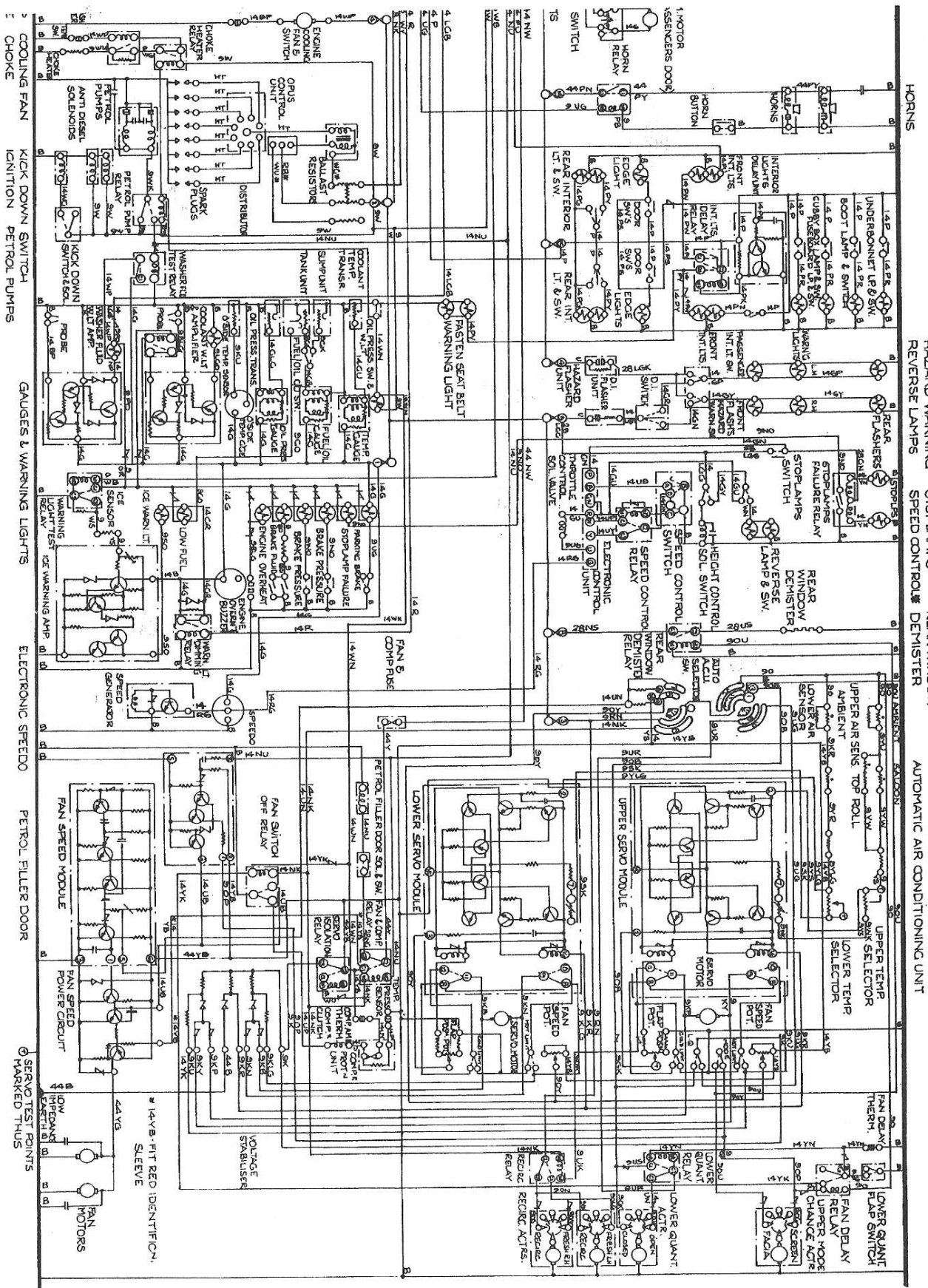
Right-hand drive cars from
car serial number 30 001

This document is the property of Rolls-Royce Motors Limited and may not be copied or communicated to a third party or used for any purpose other than that for which it is supplied without the express written authority of Rolls-Royce Motors Limited.

Whilst the information in this document is given in good faith based upon the latest knowledge available to Rolls-Royce Motors Limited, Rolls-Royce Motors Limited gives no warranty or representation concerning such information, and such information must not be taken as establishing any contractual or other commitment on the part of Rolls-Royce Motors Limited.



* SEE MODIFICATION 1



Theoretical wiring diagram

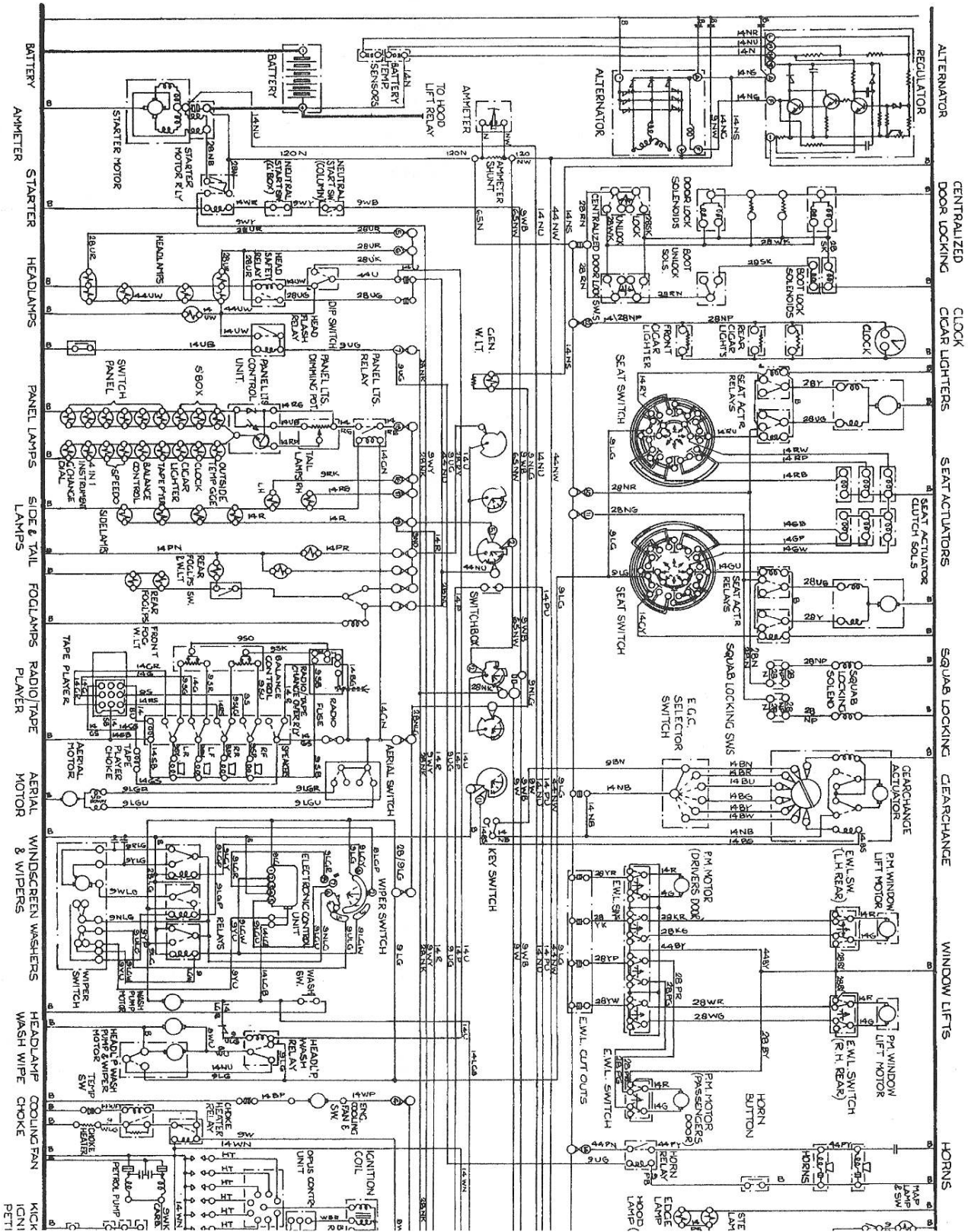
Sheet 8

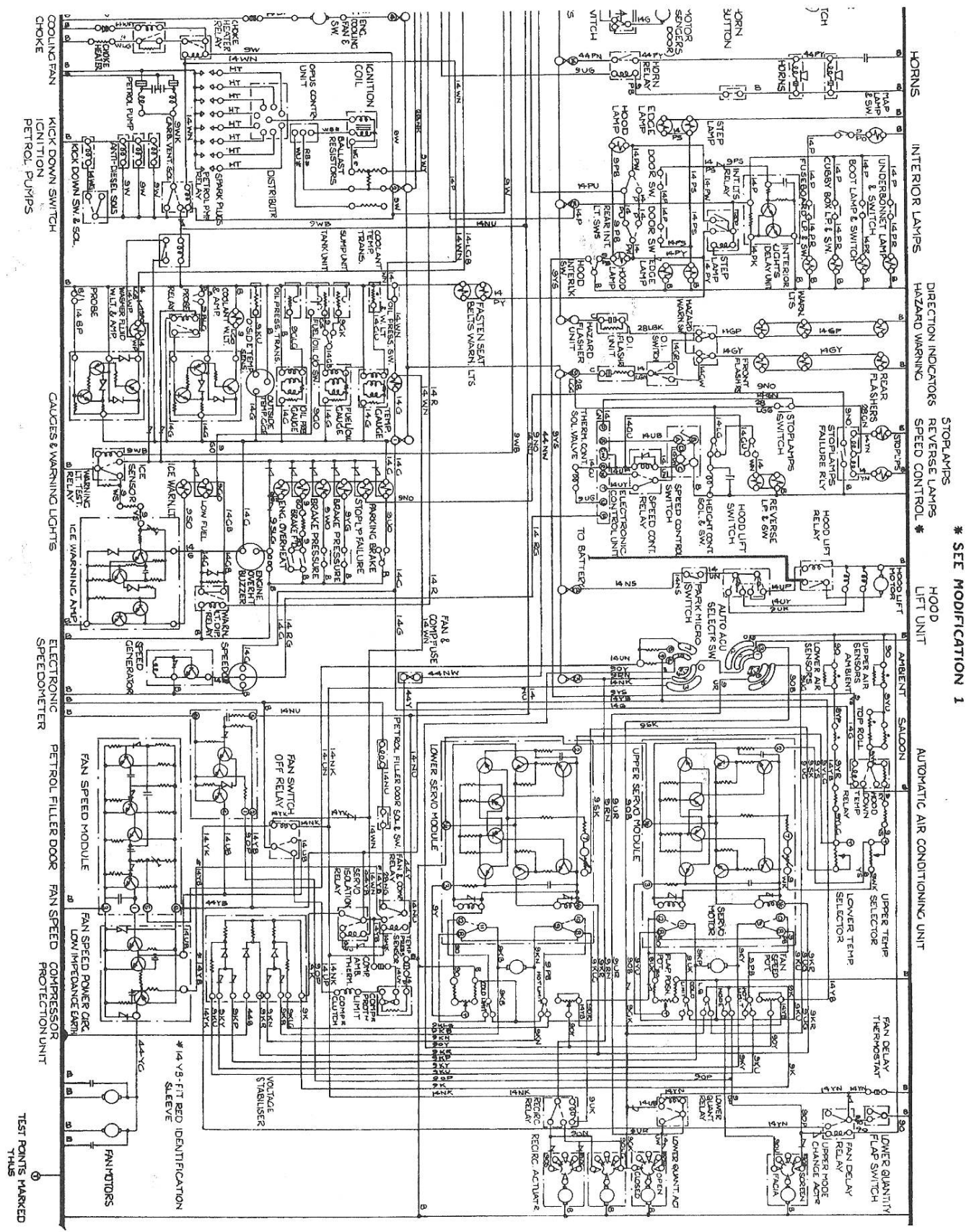
**Rolls-Royce Corniche
Convertible
Bentley Corniche Convertible**

Left-hand drive cars for countries other
than USA and Canada from
car serial number 30 001

This document is the property of Rolls-Royce Motors Limited and may not be copied or communicated to a third party or used for any purpose other than that for which it is supplied without the express written authority of Rolls-Royce Motors Limited.

Whilst the information in this document is given in good faith based upon the latest knowledge available to Rolls-Royce Motors Limited, Rolls-Royce Motors Limited gives no warranty or representation concerning such information, and such information must not be taken as establishing any contractual or other commitment on the part of Rolls-Royce Motors Limited.

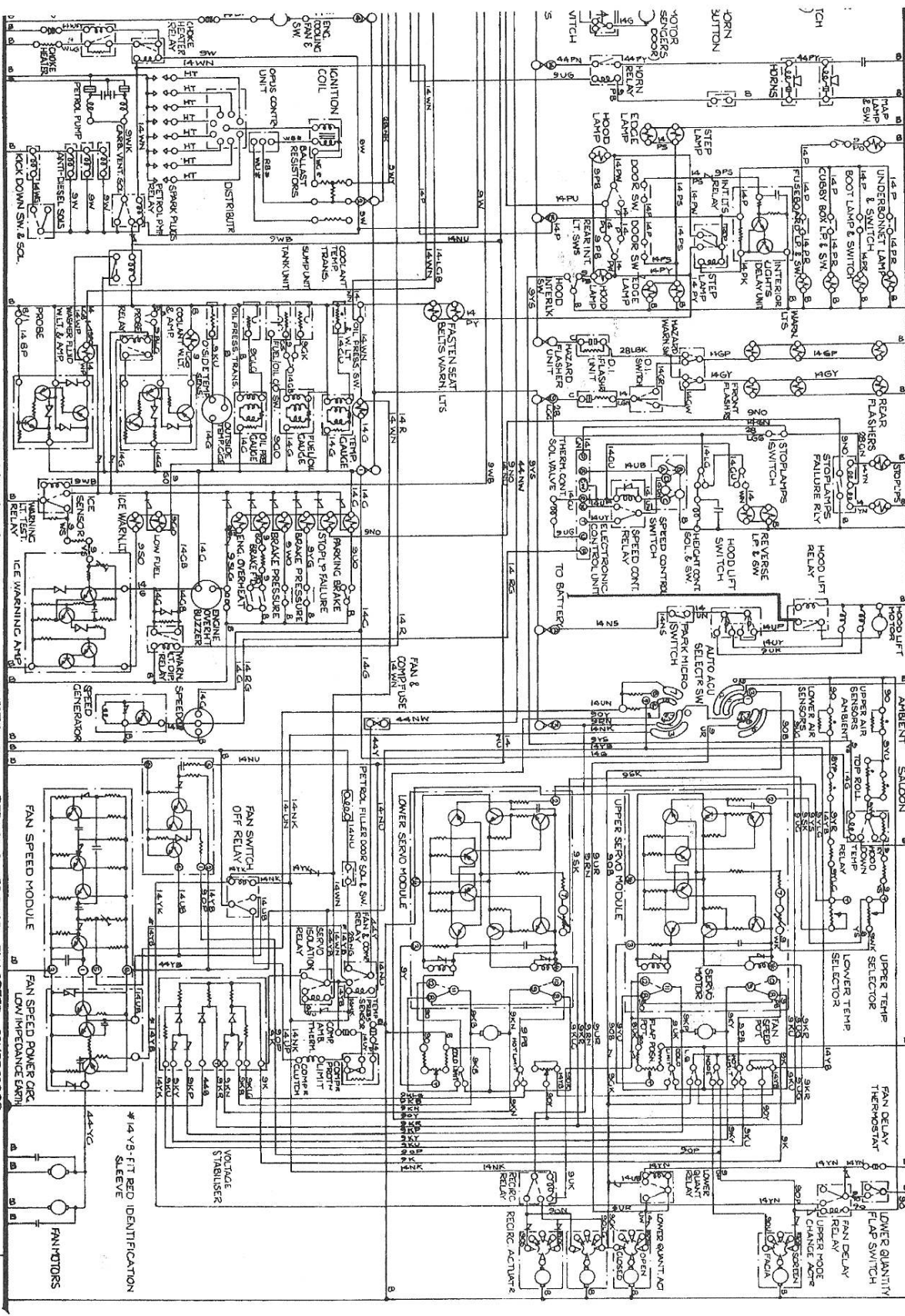




* SEE MODIFICATION 1

COOLING FAN CHOKER
 KICK DOWN SWITCH
 IGNITION PETROL PUMPS
 CAUGES & WARNING LIGHTS
 ELECTRONIC SPEEDOMETER
 PETROL FILLER DOOR FAN SPEED COMPRESSOR PROTECTION UNIT
 TEST POINTS MARKED THIS

HORNS
 INTERIOR LAMPS
 DIRECTION INDICATORS
 HAZARD WARNING
 STOP LAMPS
 REVERSE LAMPS
 SPEED CONTROL
 HOOD LIFT UNIT
 AMBIENT SALOON
 AUTOMATIC AIR CONDITIONING UNIT
 UPPER TEMP SELECTOR
 LOWER TEMP SELECTOR
 FAN DELAY THERMOSTAT
 LOWER QUANTITY FLAP SWITCH
 FAN DELAY RELAY
 FAN MODE CHANGE ACTUATOR



Theoretical wiring diagram

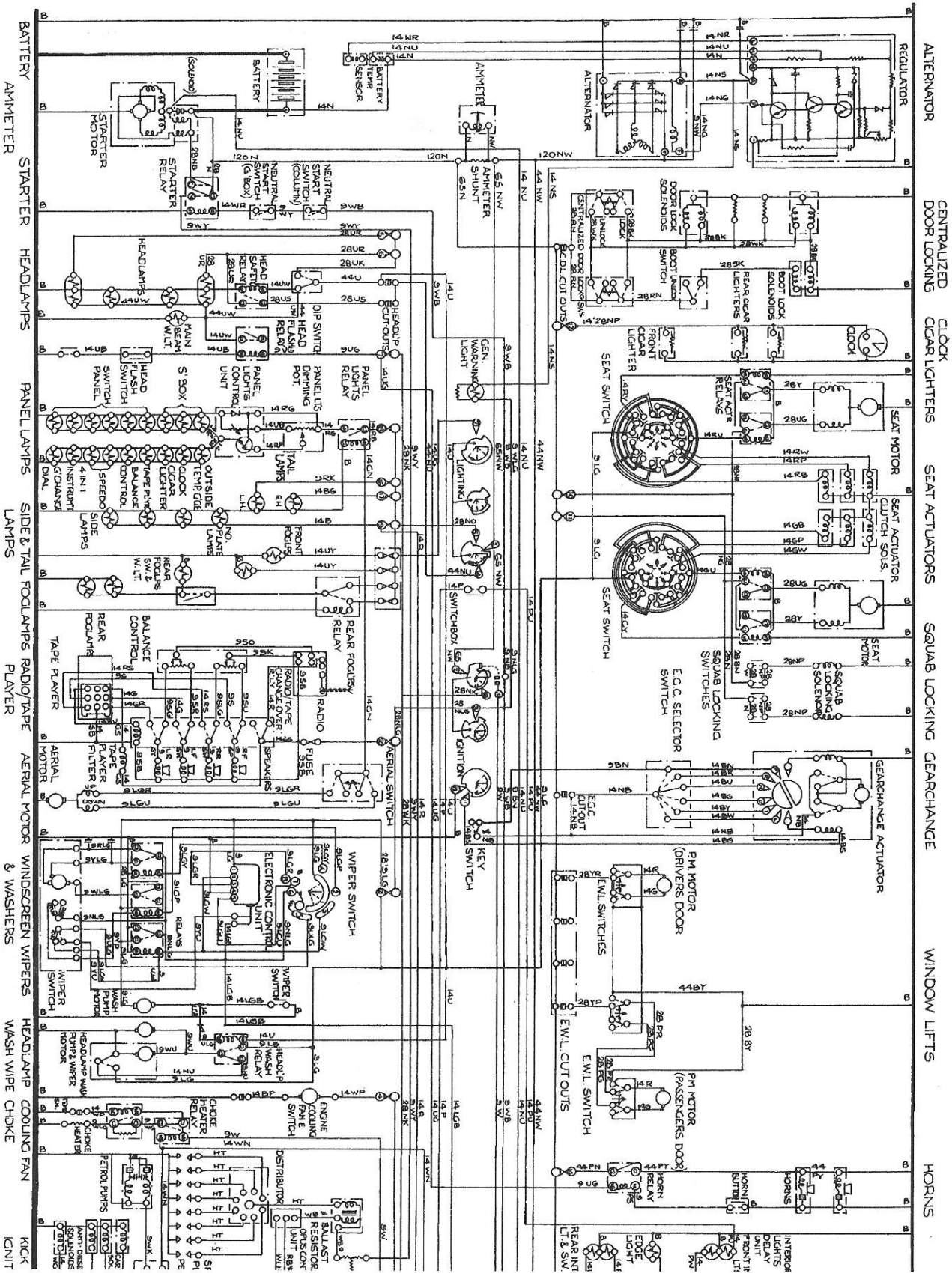
Sheet 9

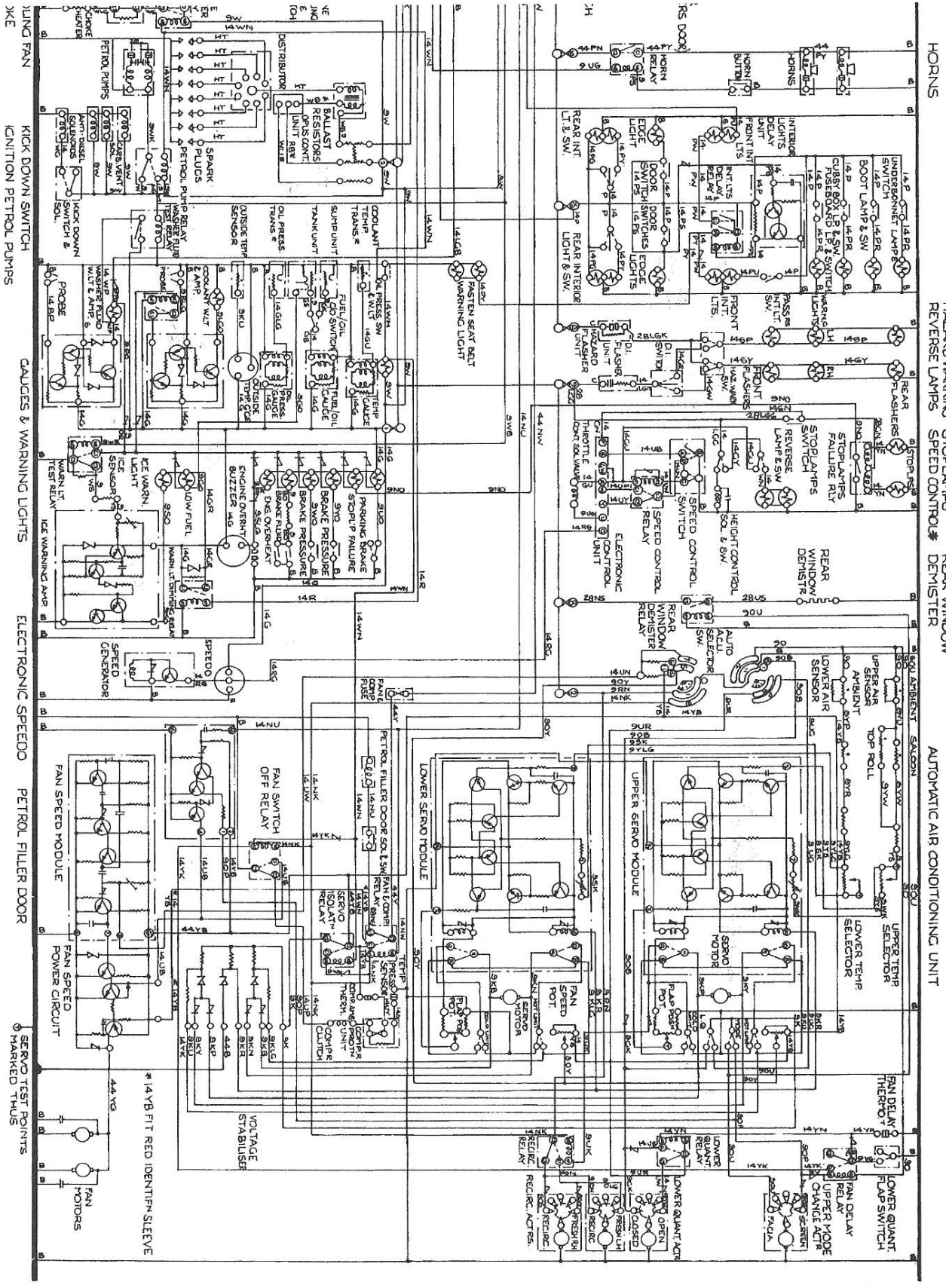
**Rolls-Royce Corniche Saloon
Bentley Corniche Saloon**

Left-hand drive cars for countries other
than USA and Canada from
car serial number 30 001

This document is the property of Rolls-Royce Motors Limited and may not be copied or communicated to a third party or used for any purpose other than that for which it is supplied without the express written authority of Rolls-Royce Motors Limited.

Whilst the information in this document is given in good faith based upon the latest knowledge available to Rolls-Royce Motors Limited, Rolls-Royce Motors Limited gives no warranty or representation concerning such information, and such information must not be taken as establishing any contractual or other commitment on the part of Rolls-Royce Motors Limited.





* SEE MODIFICATION 1

HORNS

DIRECTION INDICATORS
HAZARD WARNING STOP LAMPS
REVERSE LAMPS
SPEED CONTROL #
DEMI-STER

REAR WINDOW
STOP LAMPS
STOP LAMPS FAILURE RLY
STOP LAMPS SWITCH
REVERSE LAMP & SW

REAR WINDOW
DENISTER
AUTO SELECTOR
UPPER AIR SENSOR
TOP ROLL
LOWER TEMP SELECTOR
LOWER TEMP SELECTOR
FAN DELAY
LOWER QUANT. FAN SWITCH
FAN DELAY RELAY
UPPER MODE CHANGE ACTR
LOWER QUANT. FAN RELAY
LOWER QUANT. FAN RELAY
LOWER QUANT. FAN RELAY

JUNG FAN

KICK DOWN SWITCH
IGNITION PETROL PUMPS

GAUGES & WARNING LIGHTS

ELECTRONIC SPEEDO
PETROL. FILTER DOOR

SERVO TEST POINTS
MARKED THUS

* 14 VB FIT RED IDENTIFN SLEEVE

Theoretical wiring diagram

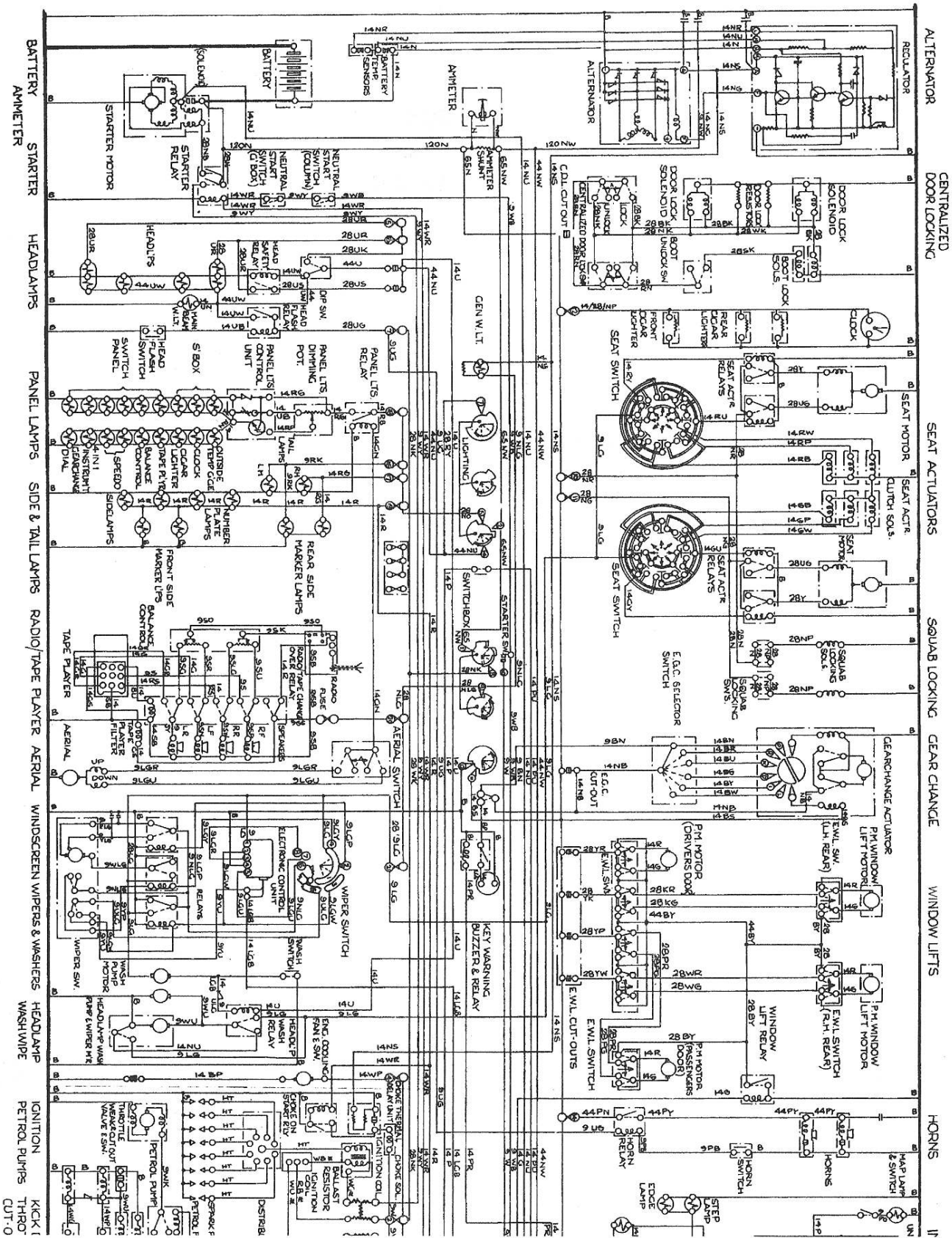
Sheet 10

**Rolls-Royce Corniche
Convertible
Bentley Corniche Convertible**

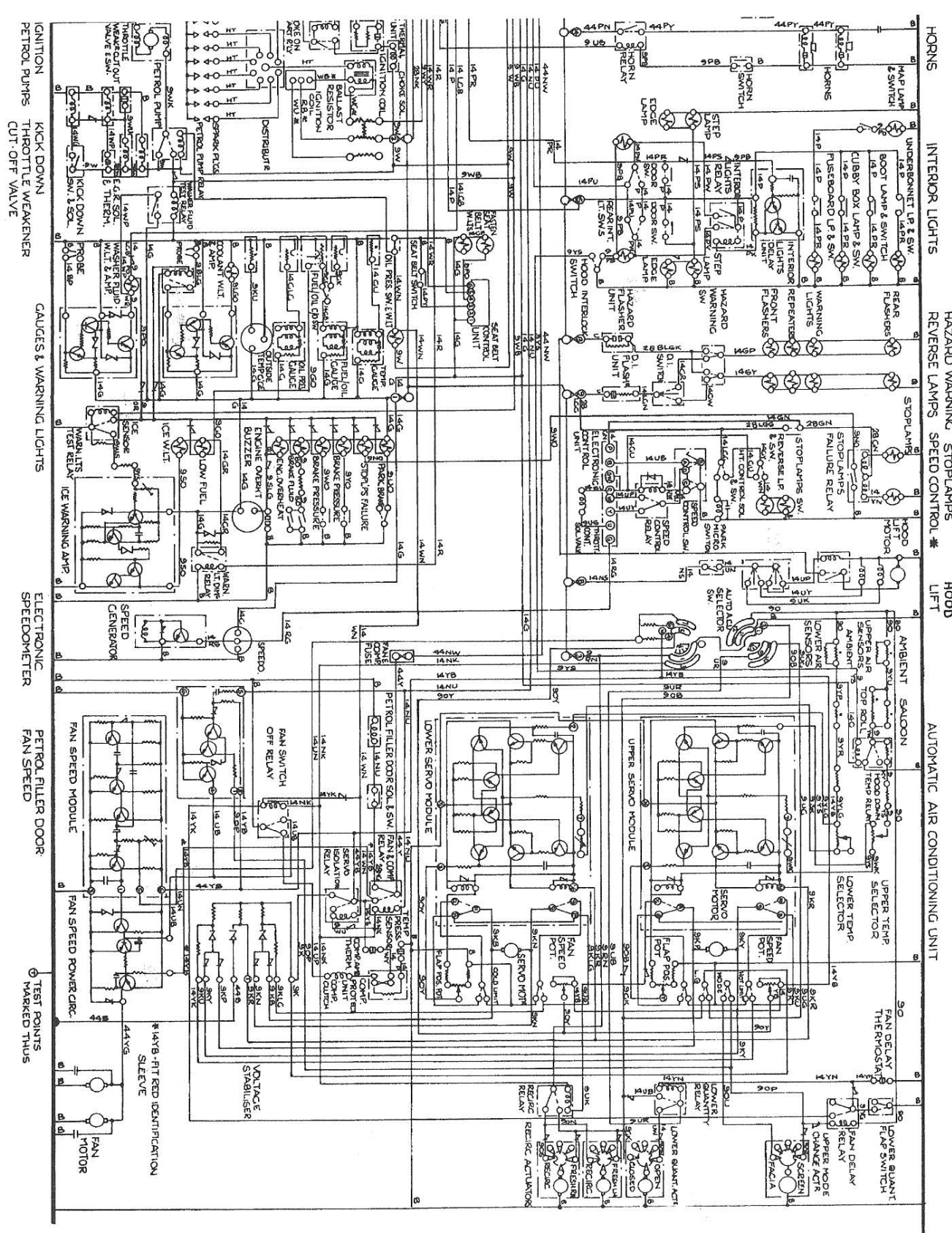
Left-hand drive cars for USA and Canada
from car serial number 30 001

This document is the property of Rolls-Royce Motors Limited and may not be copied or communicated to a third party or used for any purpose other than that for which it is supplied without the express written authority of Rolls-Royce Motors Limited.

Whilst the information in this document is given in good faith based upon the latest knowledge available to Rolls-Royce Motors Limited, Rolls-Royce Motors Limited gives no warranty or representation concerning such information, and such information must not be taken as establishing any contractual or other commitment on the part of Rolls-Royce Motors Limited.



* SEE MODIFICATION 1



HORN

INTERIOR LIGHTS

DIRECTION INDICATORS
HAZARD WARNING STOPLAMPS
REVERSE LAMP SPEED CONTROL *

HOOD
LIFT

AUTOMATIC AIR CONDITIONING UNIT

FAN DELAY THERMOSTAT
FAN DELAY FLAP SWITCH
FAN DELAY RELAY
FAN DELAY RELAY

IGNITION
PETROL PUMPS
KICK DOWN
THROTTLE WEAKENER
CUT-OFF VALVE

GAUGES & WARNING LIGHTS

ELECTRONIC
SPEEDOMETER

PETROL FILTER DOOR
FAN SPEED

TEST POINTS
MARKED THUS

* 14YB - FIT RED IDENTIFICATION SLEEVE

Theoretical wiring diagram

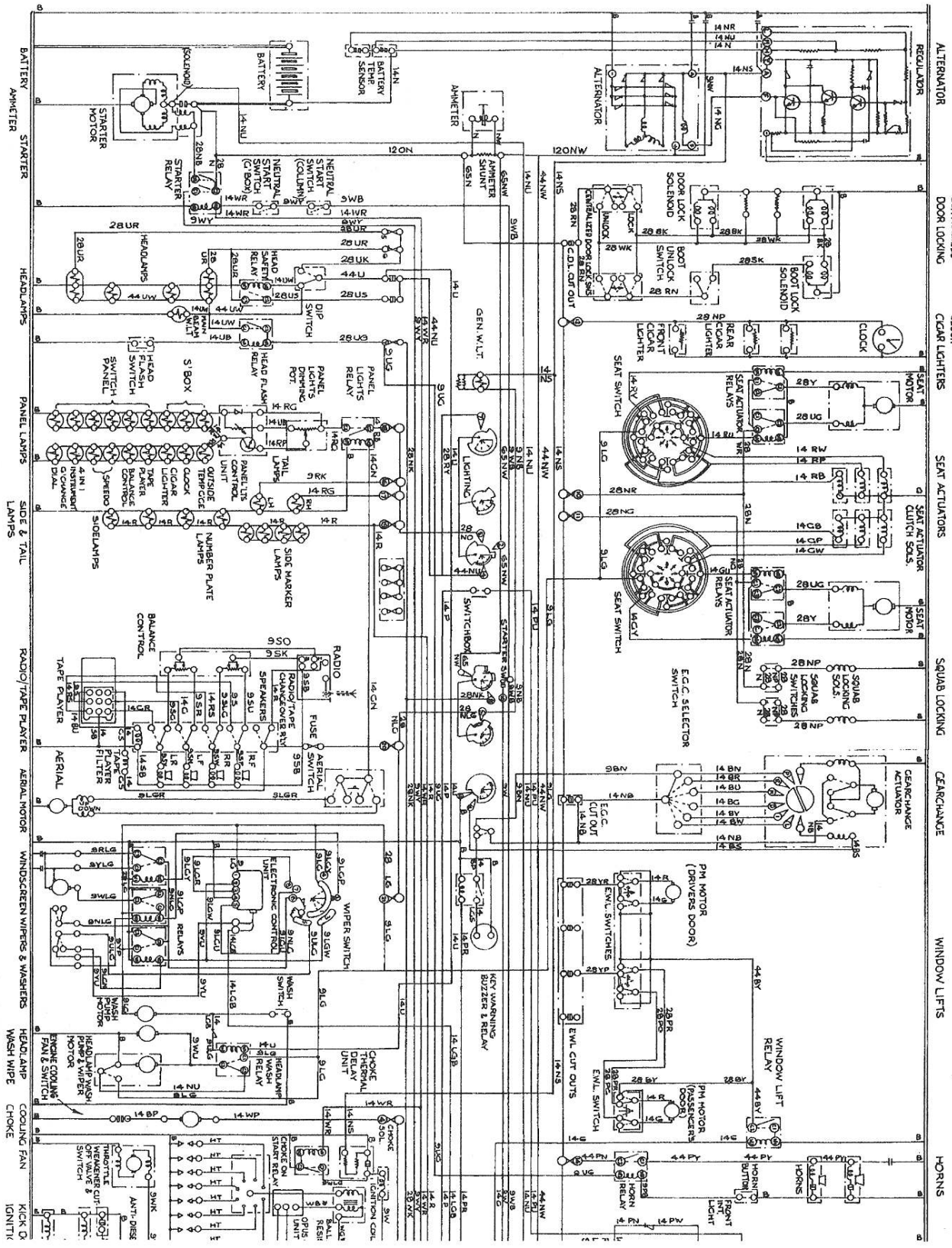
Sheet 11

**Rolls-Royce Corniche Saloon
Bentley Corniche Saloon**

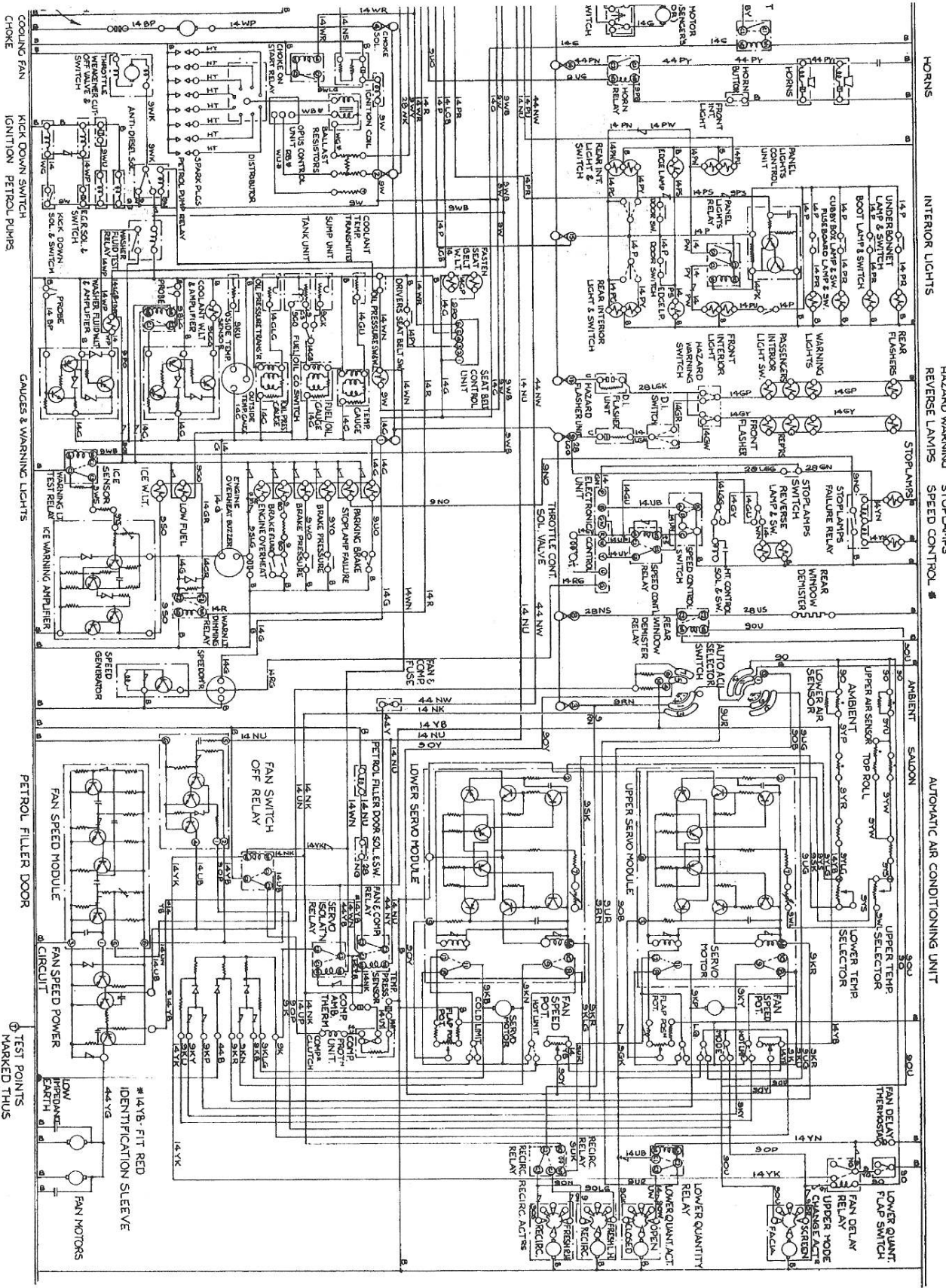
Left-hand drive cars for USA and Canada
from car serial number 30 001

This document is the property of Rolls-Royce Motors Limited and may not be copied or communicated to a third party or used for any purpose other than that for which it is supplied without the express written authority of Rolls-Royce Motors Limited.

Whilst the information in this document is given in good faith based upon the latest knowledge available to Rolls-Royce Motors Limited, Rolls-Royce Motors Limited gives no warranty or representation concerning such information, and such information must not be taken as establishing any contractual or other commitment on the part of Rolls-Royce Motors Limited.



* SEE MODIFICATION 1



HORN

INTERIOR LIGHTS

DIRECTION INDICATORS
HAZARD WARNING
REVERSE LAMPS
STOP LAMPS
SPEED CONTROL

AUTOMATIC AIR CONDITIONING UNIT

FAN DELAY
FAN DELAY
FAN DELAY
FAN DELAY

COOLING FAN

KICK DOWN SWITCH
IGNITION PETROL PUMPS

GAUGES & WARNING LIGHTS

PETROL FILLER DOOR

TEST POINTS
MARKED THUS

FAN SPEED POWER
FAN SPEED POWER

IDENTIFICATION SLEEVE
FAN MOTORS

Theoretical wiring diagram

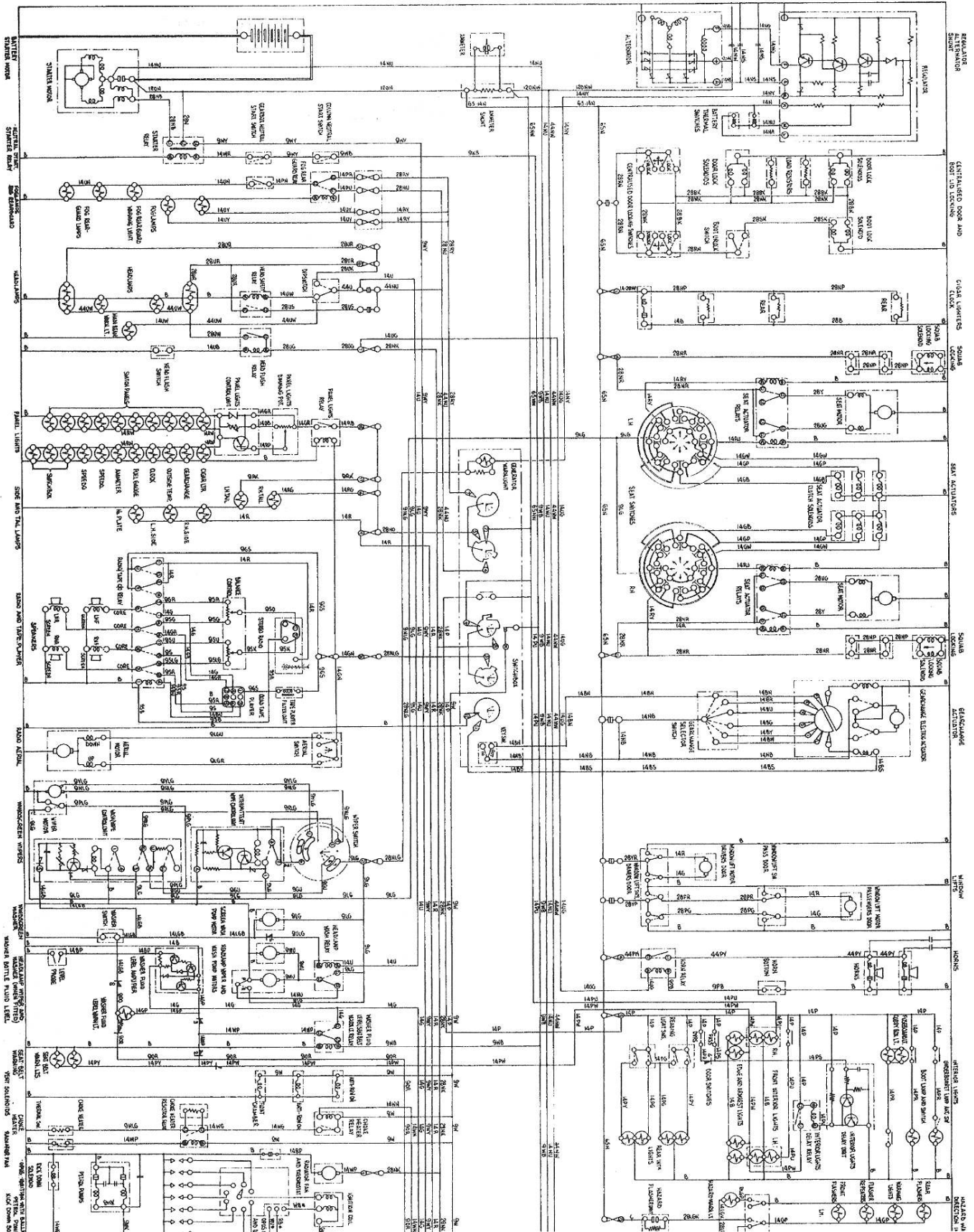
Sheet 12

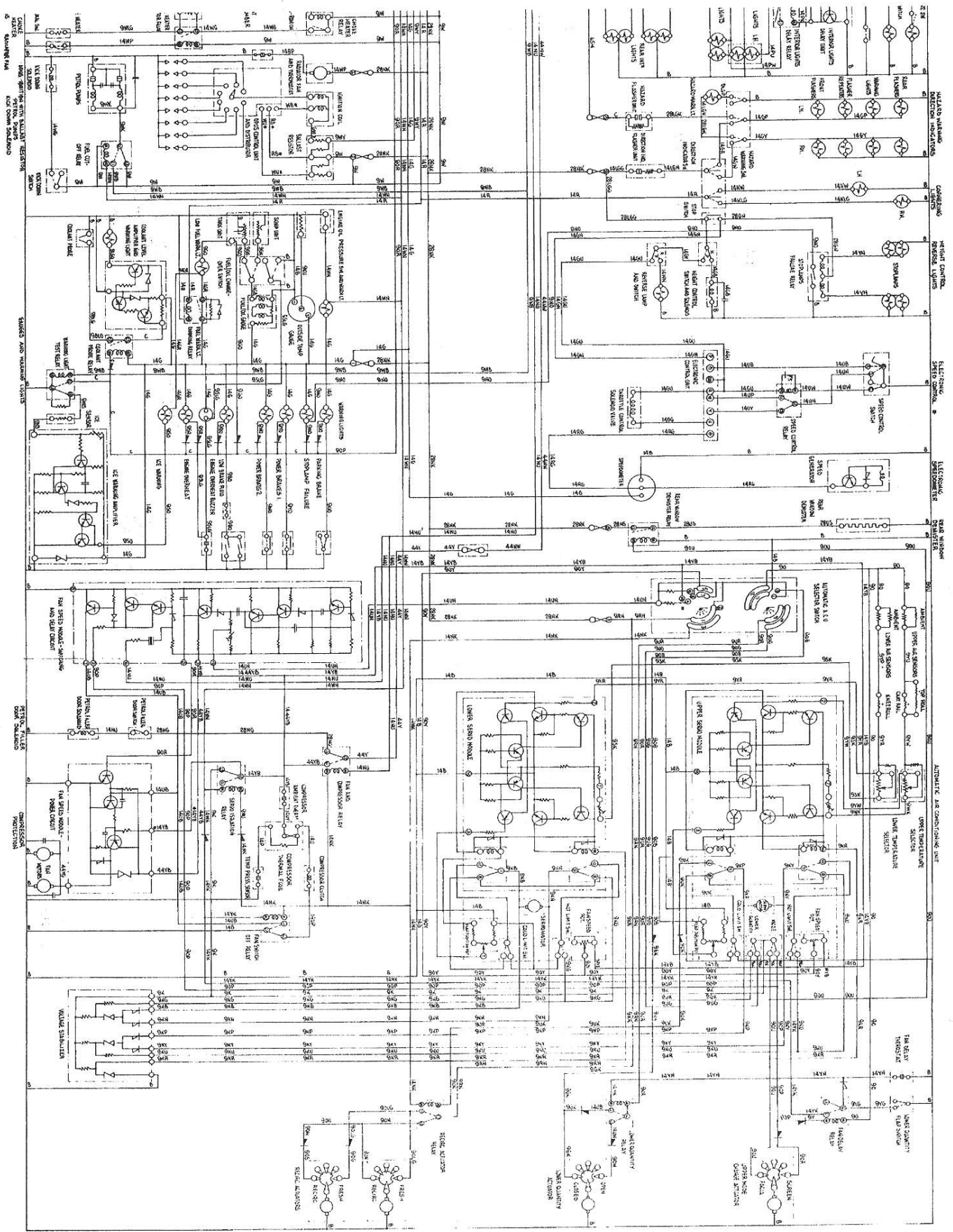
Rolls-Royce Camargue

Right-hand drive cars from
car serial number 30 001

This document is the property of Rolls-Royce Motors Limited and may not be copied or communicated to a third party or used for any purpose other than that for which it is supplied without the express written authority of Rolls-Royce Motors Limited.

Whilst the information in this document is given in good faith based upon the latest knowledge available to Rolls-Royce Motors Limited, Rolls-Royce Motors Limited gives no warranty or representation concerning such information, and such information must not be taken as establishing any contractual or other commitment on the part of Rolls-Royce Motors Limited.





Theoretical wiring diagram

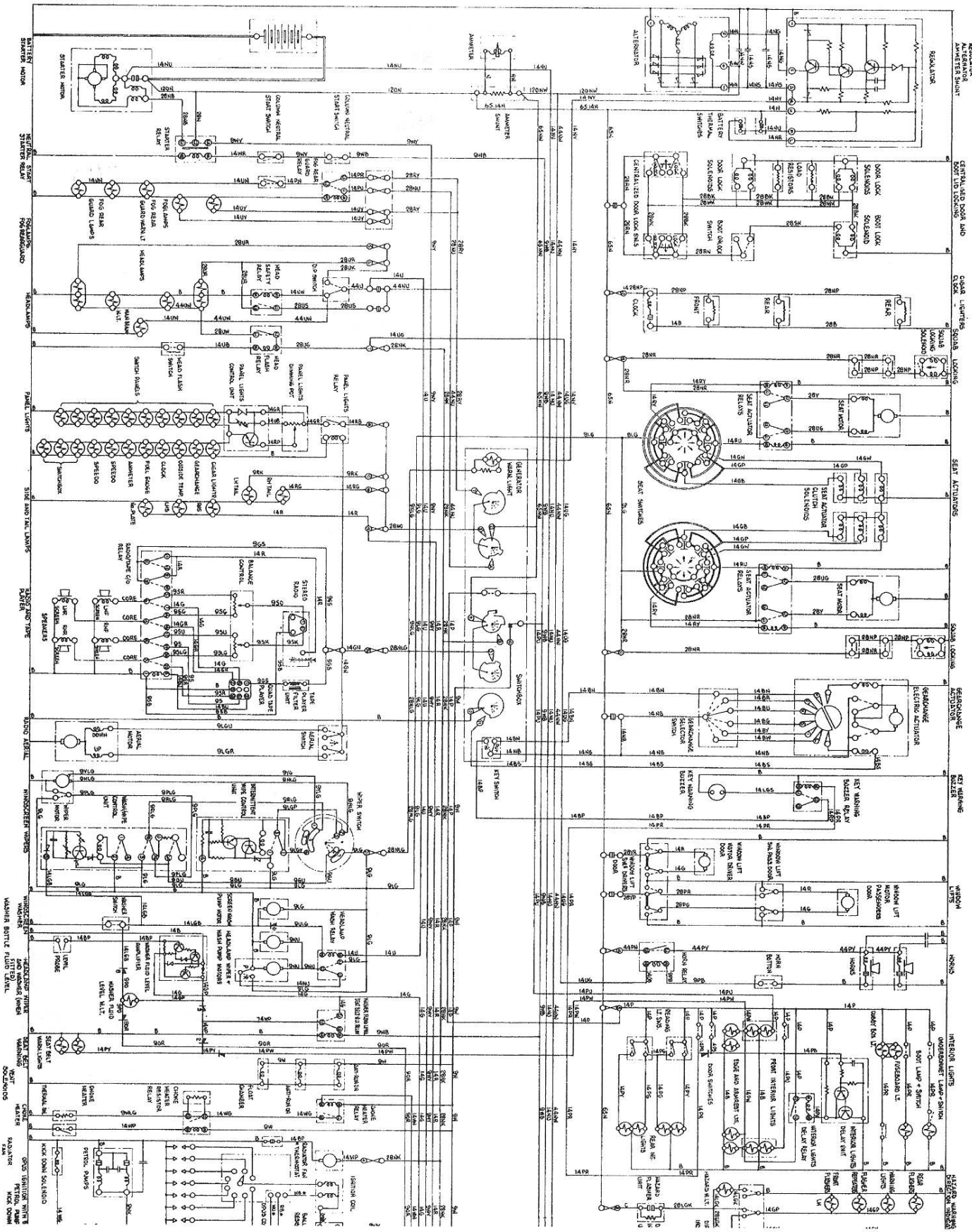
Sheet 13

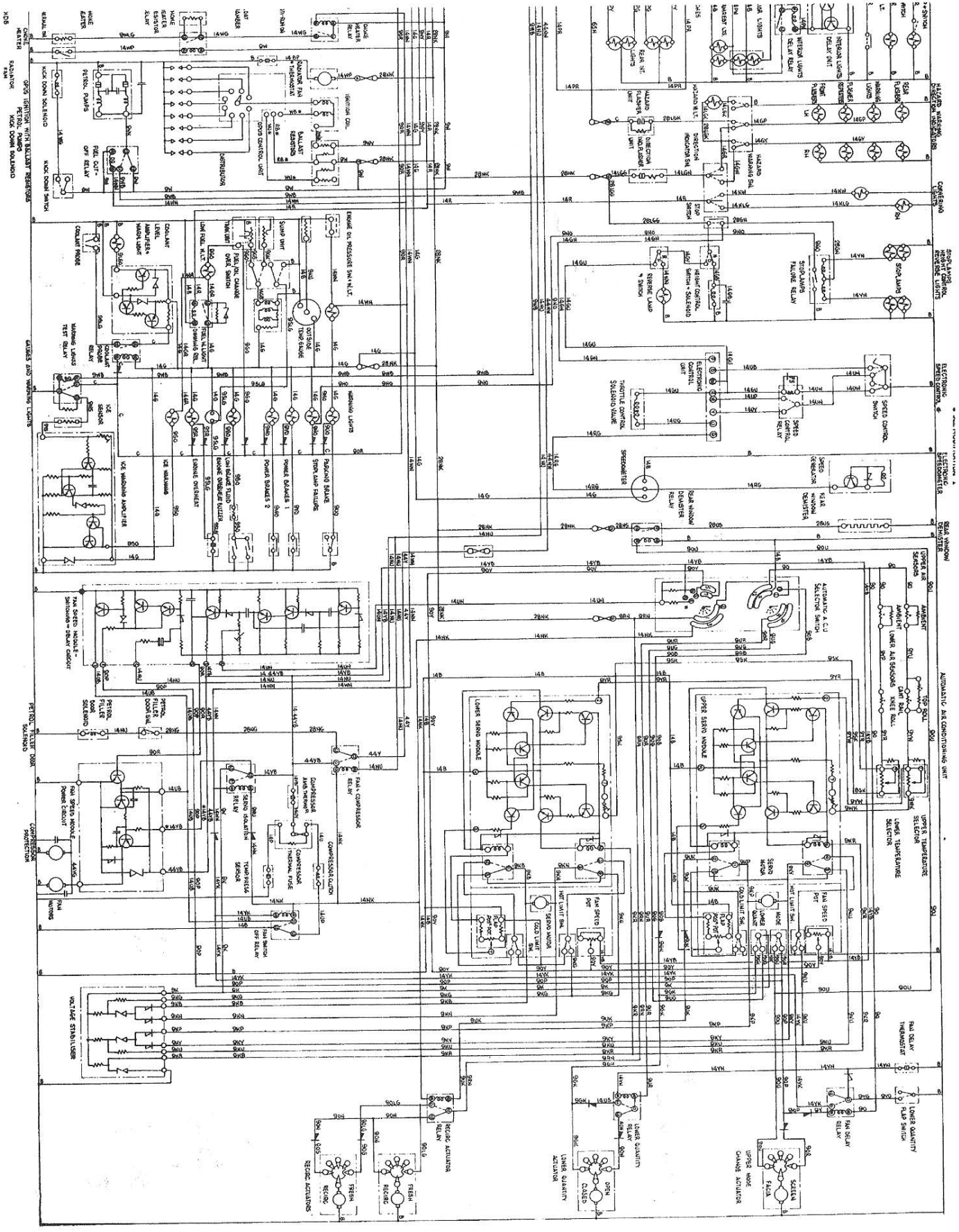
Rolls-Royce Camargue

Left-hand drive cars for countries
other than USA and Canada from
car serial number 30 001

This document is the property of Rolls-Royce Motors Limited and may not be copied or communicated to a third party or used for any purpose other than that for which it is supplied without the express written authority of Rolls-Royce Motors Limited.

Whilst the information in this document is given in good faith based upon the latest knowledge available to Rolls-Royce Motors Limited, Rolls-Royce Motors Limited gives no warranty or representation concerning such information, and such information must not be taken as establishing any contractual or other commitment on the part of Rolls-Royce Motors Limited.





145A
145B
145C
145D
145E
145F
145G
145H
145I
145J
145K
145L
145M
145N
145O
145P
145Q
145R
145S
145T
145U
145V
145W
145X
145Y
145Z

146A
146B
146C
146D
146E
146F
146G
146H
146I
146J
146K
146L
146M
146N
146O
146P
146Q
146R
146S
146T
146U
146V
146W
146X
146Y
146Z

147A
147B
147C
147D
147E
147F
147G
147H
147I
147J
147K
147L
147M
147N
147O
147P
147Q
147R
147S
147T
147U
147V
147W
147X
147Y
147Z

148A
148B
148C
148D
148E
148F
148G
148H
148I
148J
148K
148L
148M
148N
148O
148P
148Q
148R
148S
148T
148U
148V
148W
148X
148Y
148Z

149A
149B
149C
149D
149E
149F
149G
149H
149I
149J
149K
149L
149M
149N
149O
149P
149Q
149R
149S
149T
149U
149V
149W
149X
149Y
149Z

150A
150B
150C
150D
150E
150F
150G
150H
150I
150J
150K
150L
150M
150N
150O
150P
150Q
150R
150S
150T
150U
150V
150W
150X
150Y
150Z

151A
151B
151C
151D
151E
151F
151G
151H
151I
151J
151K
151L
151M
151N
151O
151P
151Q
151R
151S
151T
151U
151V
151W
151X
151Y
151Z

152A
152B
152C
152D
152E
152F
152G
152H
152I
152J
152K
152L
152M
152N
152O
152P
152Q
152R
152S
152T
152U
152V
152W
152X
152Y
152Z

153A
153B
153C
153D
153E
153F
153G
153H
153I
153J
153K
153L
153M
153N
153O
153P
153Q
153R
153S
153T
153U
153V
153W
153X
153Y
153Z

154A
154B
154C
154D
154E
154F
154G
154H
154I
154J
154K
154L
154M
154N
154O
154P
154Q
154R
154S
154T
154U
154V
154W
154X
154Y
154Z

155A
155B
155C
155D
155E
155F
155G
155H
155I
155J
155K
155L
155M
155N
155O
155P
155Q
155R
155S
155T
155U
155V
155W
155X
155Y
155Z

156A
156B
156C
156D
156E
156F
156G
156H
156I
156J
156K
156L
156M
156N
156O
156P
156Q
156R
156S
156T
156U
156V
156W
156X
156Y
156Z

157A
157B
157C
157D
157E
157F
157G
157H
157I
157J
157K
157L
157M
157N
157O
157P
157Q
157R
157S
157T
157U
157V
157W
157X
157Y
157Z

158A
158B
158C
158D
158E
158F
158G
158H
158I
158J
158K
158L
158M
158N
158O
158P
158Q
158R
158S
158T
158U
158V
158W
158X
158Y
158Z

159A
159B
159C
159D
159E
159F
159G
159H
159I
159J
159K
159L
159M
159N
159O
159P
159Q
159R
159S
159T
159U
159V
159W
159X
159Y
159Z

Theoretical wiring diagram

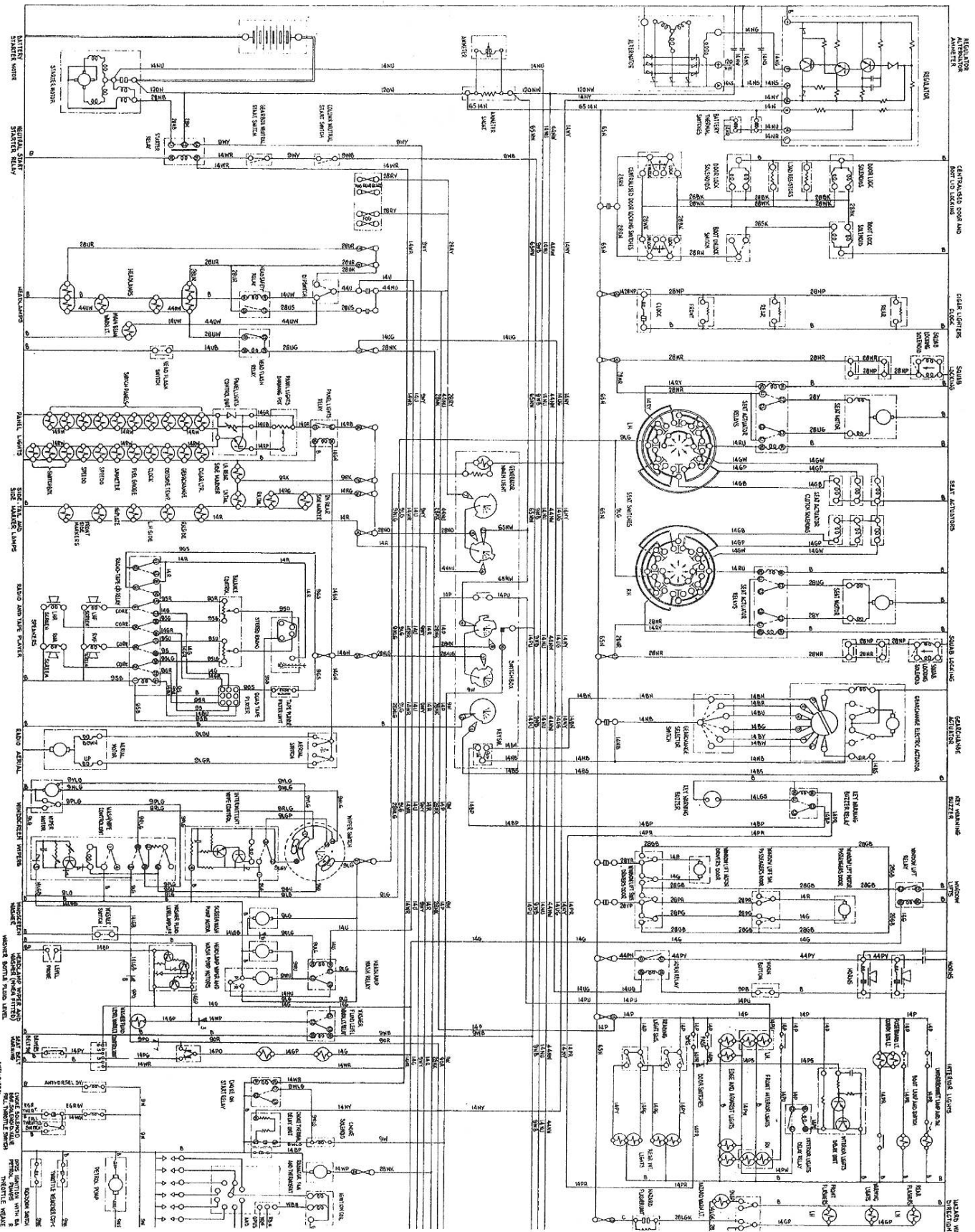
Sheet 14

Rolls-Royce Camargue

Left-hand drive cars for USA and Canada
from car serial number 30 001

This document is the property of Rolls-Royce Motors Limited and may not be copied or communicated to a third party or used for any purpose other than that for which it is supplied without the express written authority of Rolls-Royce Motors Limited.

Whilst the information in this document is given in good faith based upon the latest knowledge available to Rolls-Royce Motors Limited, Rolls-Royce Motors Limited gives no warranty or representation concerning such information, and such information must not be taken as establishing any contractual or other commitment on the part of Rolls-Royce Motors Limited.



4 SEE MODIFICATION 1

ELECTRONIC

HEAT CONTROL

SECTION 4

WIRING

ATMOSPHERIC AIR CONDITIONING UNIT

SECTION 5

WIRING

WIRING

TRIP LAMP

SECTION 6

WIRING

WIRING

TRIP LAMP

SECTION 7

WIRING

WIRING

TRIP LAMP

SECTION 8

WIRING

WIRING

TRIP LAMP

SECTION 9

WIRING

WIRING

TRIP LAMP

SECTION 10

WIRING

WIRING

TRIP LAMP

SECTION 11

WIRING

WIRING

TRIP LAMP

SECTION 12

WIRING

WIRING

TRIP LAMP

SECTION 13

WIRING

WIRING

TRIP LAMP

SECTION 14

WIRING

WIRING

TRIP LAMP

SECTION 15

WIRING

WIRING

TRIP LAMP

SECTION 16

WIRING

WIRING

TRIP LAMP

SECTION 17

WIRING

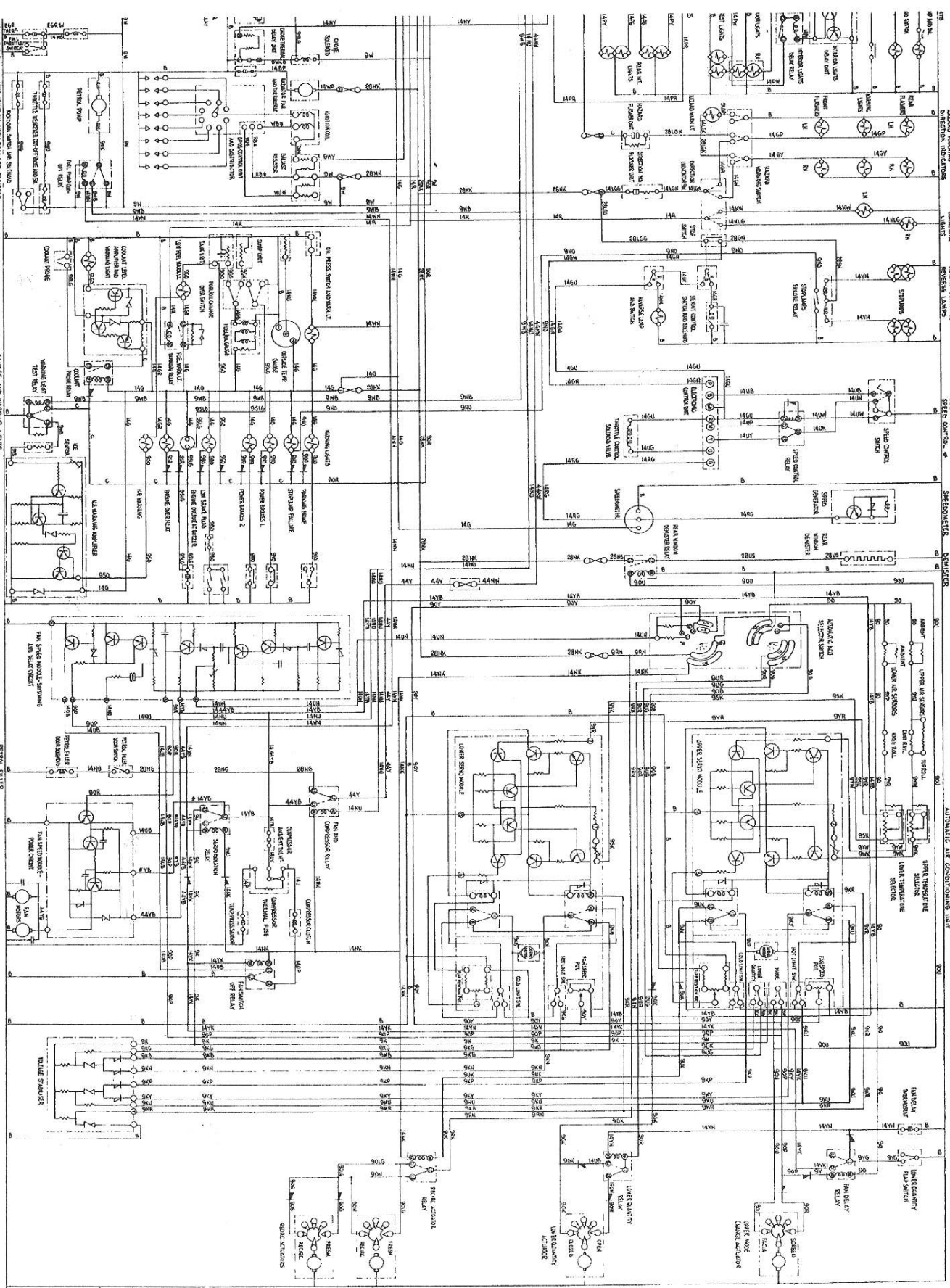
WIRING

TRIP LAMP

SECTION 18

WIRING

WIRING



SEE MODIFICATION 1 FOR THE WIRING OF THE TRIP LAMP SWITCHES AND THE WIRING OF THE TRIP LAMP SWITCHES.

SEE MODIFICATION 1 FOR THE WIRING OF THE TRIP LAMP SWITCHES AND THE WIRING OF THE TRIP LAMP SWITCHES.

SEE MODIFICATION 1 FOR THE WIRING OF THE TRIP LAMP SWITCHES AND THE WIRING OF THE TRIP LAMP SWITCHES.

SEE MODIFICATION 1 FOR THE WIRING OF THE TRIP LAMP SWITCHES AND THE WIRING OF THE TRIP LAMP SWITCHES.

SEE MODIFICATION 1 FOR THE WIRING OF THE TRIP LAMP SWITCHES AND THE WIRING OF THE TRIP LAMP SWITCHES.

Theoretical wiring diagram

Sheet 15

**Rolls-Royce Silver Shadow II
Bentley T2
Rolls-Royce Silver Wraith II**

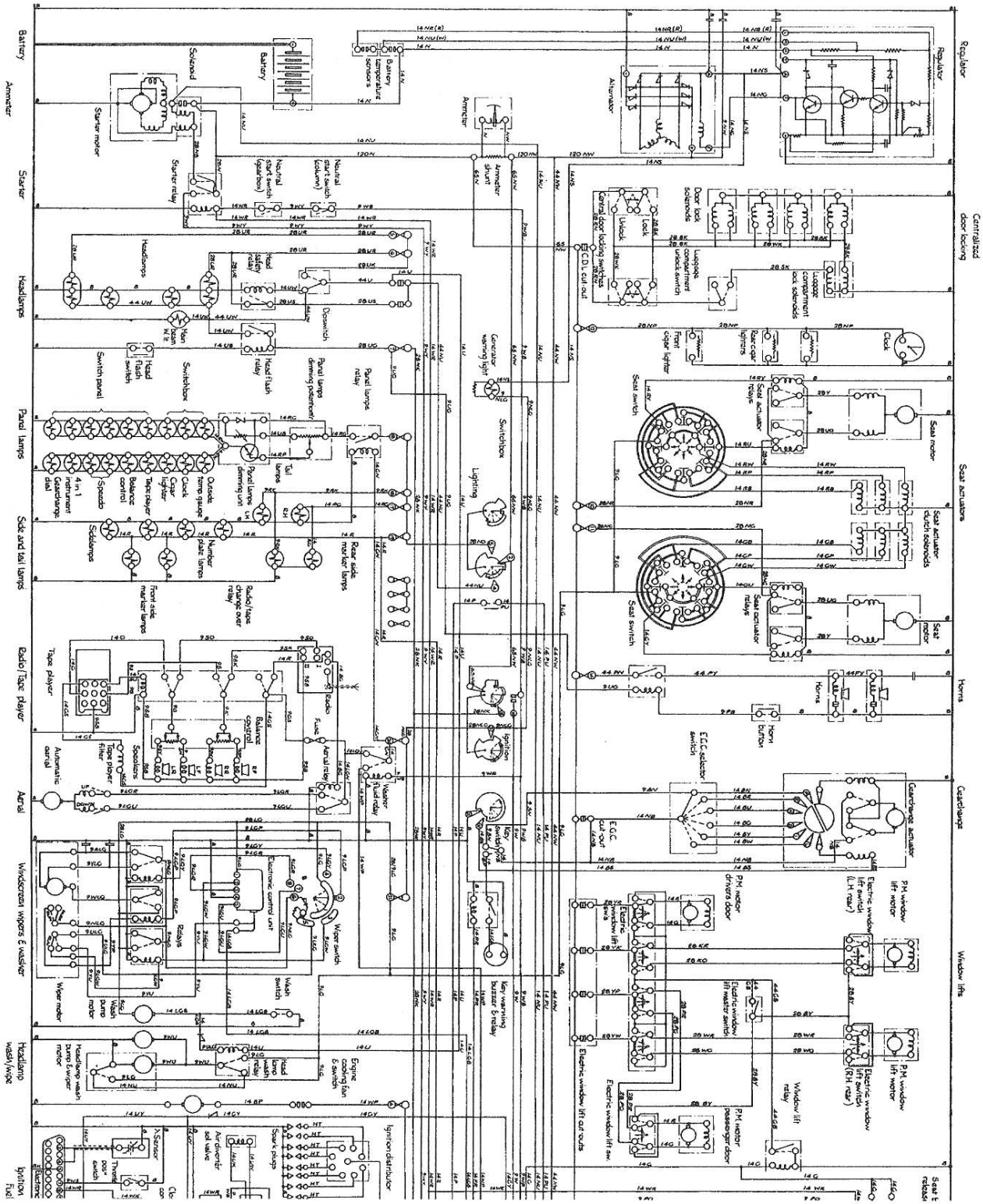
1980 model year cars for California

This wiring diagram can also be used with regard to the fuel injection system for Corniche and Camargue cars built to the 1980 Californian specification.

For items other than those concerning the fuel injection system refer to sheets 10, 11 and 14 respectively.

This document is the property of Rolls-Royce Motors Limited and may not be copied or communicated to a third party or used for any purpose other than that for which it is supplied without the express written authority of Rolls-Royce Motors Limited.

Whilst the information in this document is given in good faith based upon the latest knowledge available to Rolls-Royce Motors Limited, Rolls-Royce Motors Limited gives no warranty or representation concerning such information, and such information must not be taken as establishing any contractual or other commitment on the part of Rolls-Royce Motors Limited.



Section VI

Supplement number 1

Applicable to all cars from
car serial numbers

Silver Shadow II	-	SRX 34573
Silver Wraith II	-	LRG 34601
Bentley T2	-	SBH 34775
Corniche Saloon	-	CRH 34830
Corniche Convertible	-	DRX 33029

The following circuits are affected

	Sheet
Petrol pumps	1
Radio and aerial	1
Washer fluid level warning lamp	1
A.C.U. facia override switch	1
Charging system	1
Headlamps and foglamps	2, 3 and 4

For all other circuits refer to the appropriate wiring diagram in Section VI.

Section VI

Supplement number 1

Sheet 1

Applicable to all cars from car
serial numbers

Silver Shadow II	-	SRX 34573
Silver Wraith II	-	LRG 34601
Bentley T2	-	SBH 34775
Corniche Saloon	-	CRH 34830
Corniche Convertible	-	DRX 33029

Petrol pump

Radio and aerial

Washer fluid level warning lamp

A.C.U. facia override switch

Charging system

Section VI

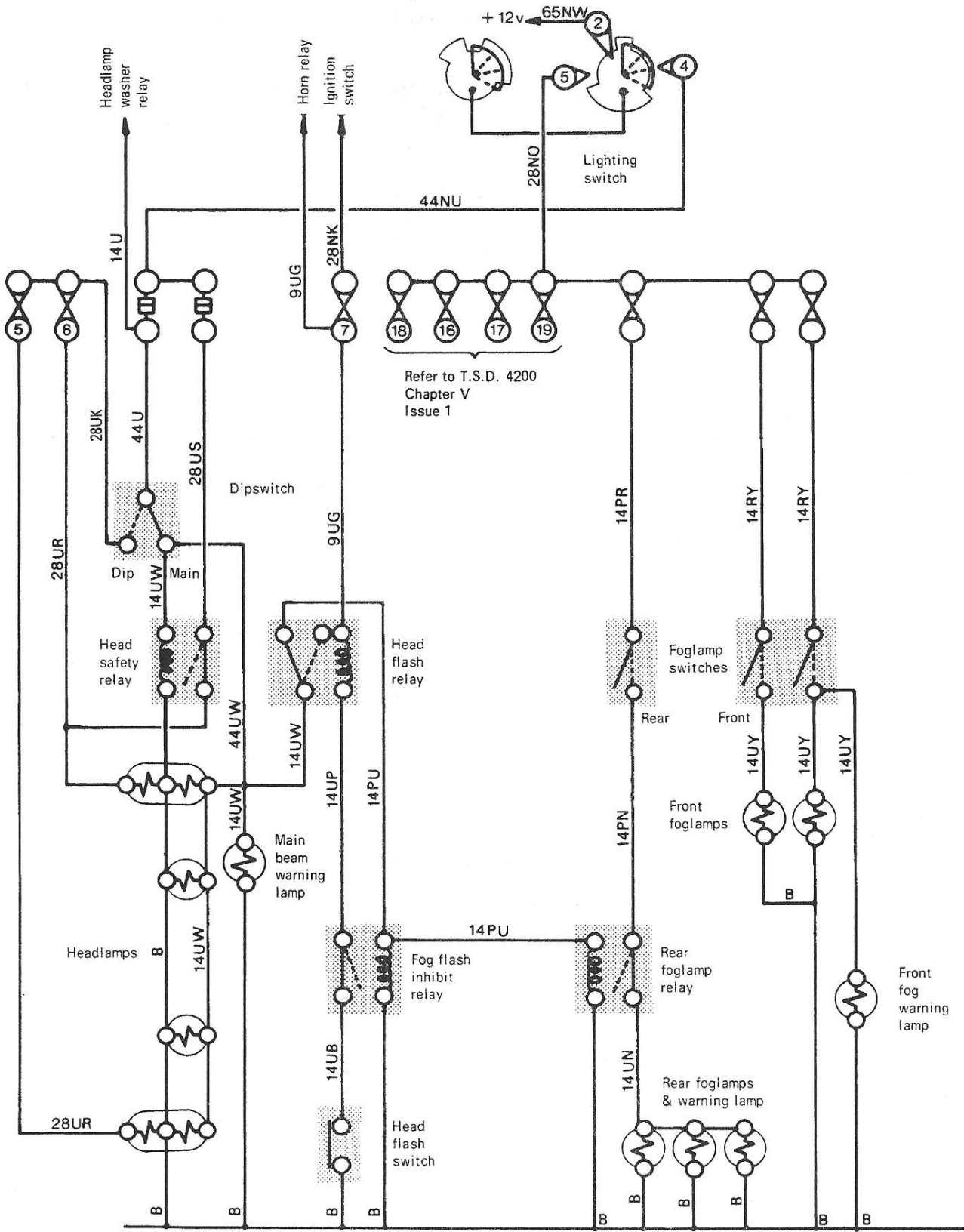
Supplement number 1

Sheet 2

Applicable to right-hand drive cars
from car serial numbers

- Silver Shadow II - SRX 34573
- Silver Wraith II - LRG 34601
- Bentley T2 - SBH 34775
- Corniche Saloon - CRH 34830
- Corniche Convertible - DRX 33029

Headlamps and foglamps



Section VI

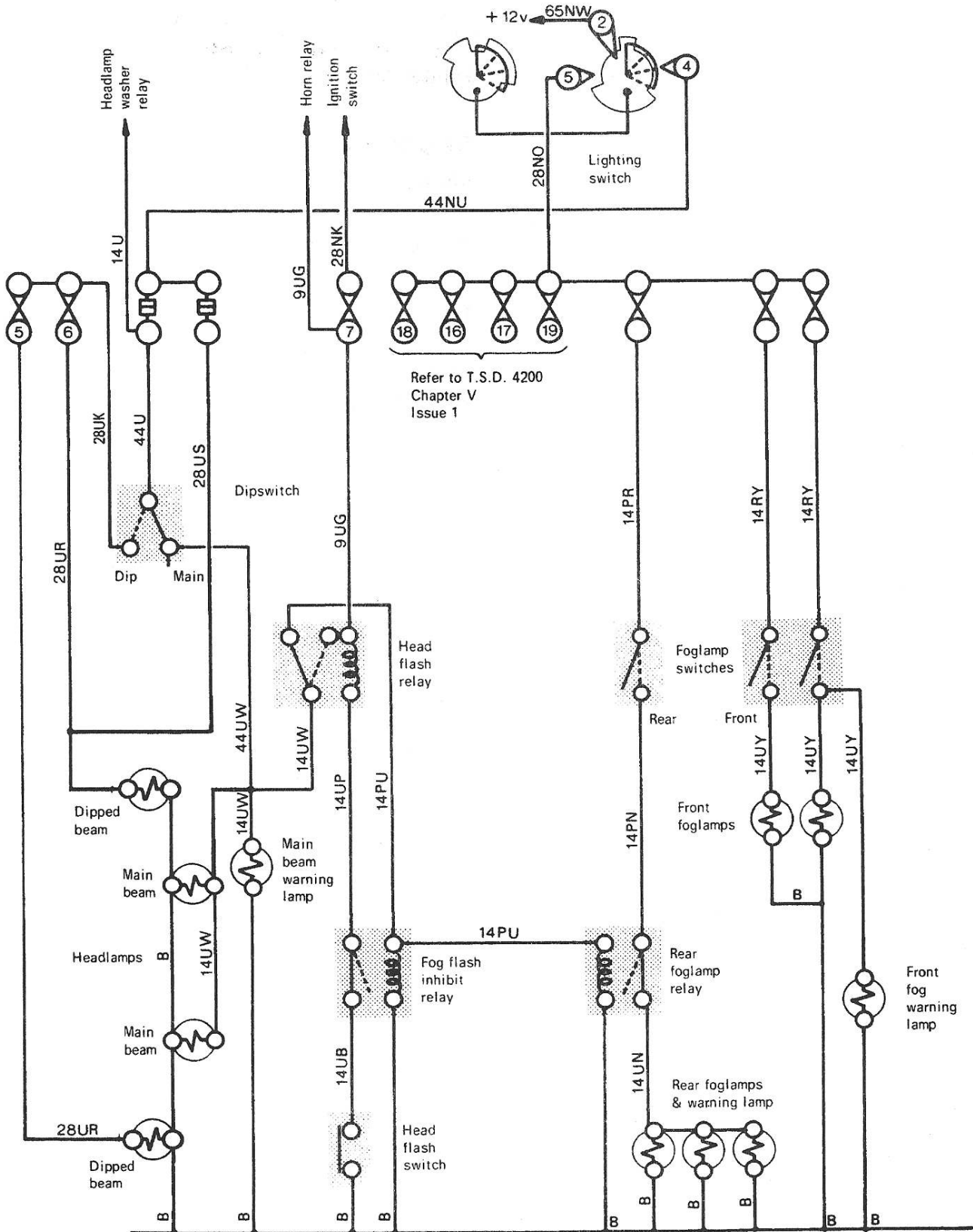
Supplement number 1

Sheet 3

Applicable to left-hand drive cars for
countries other than Canada and U.S.A.
from car serial numbers

Silver Shadow II	-	SRX 34573
Silver Wraith II	-	LRG 34601
Bentley T2	-	SBH 34775
Corniche Saloon	-	CRH 34830
Corniche Convertible	-	DRX 33029

Headlamps and foglamps



Section VI

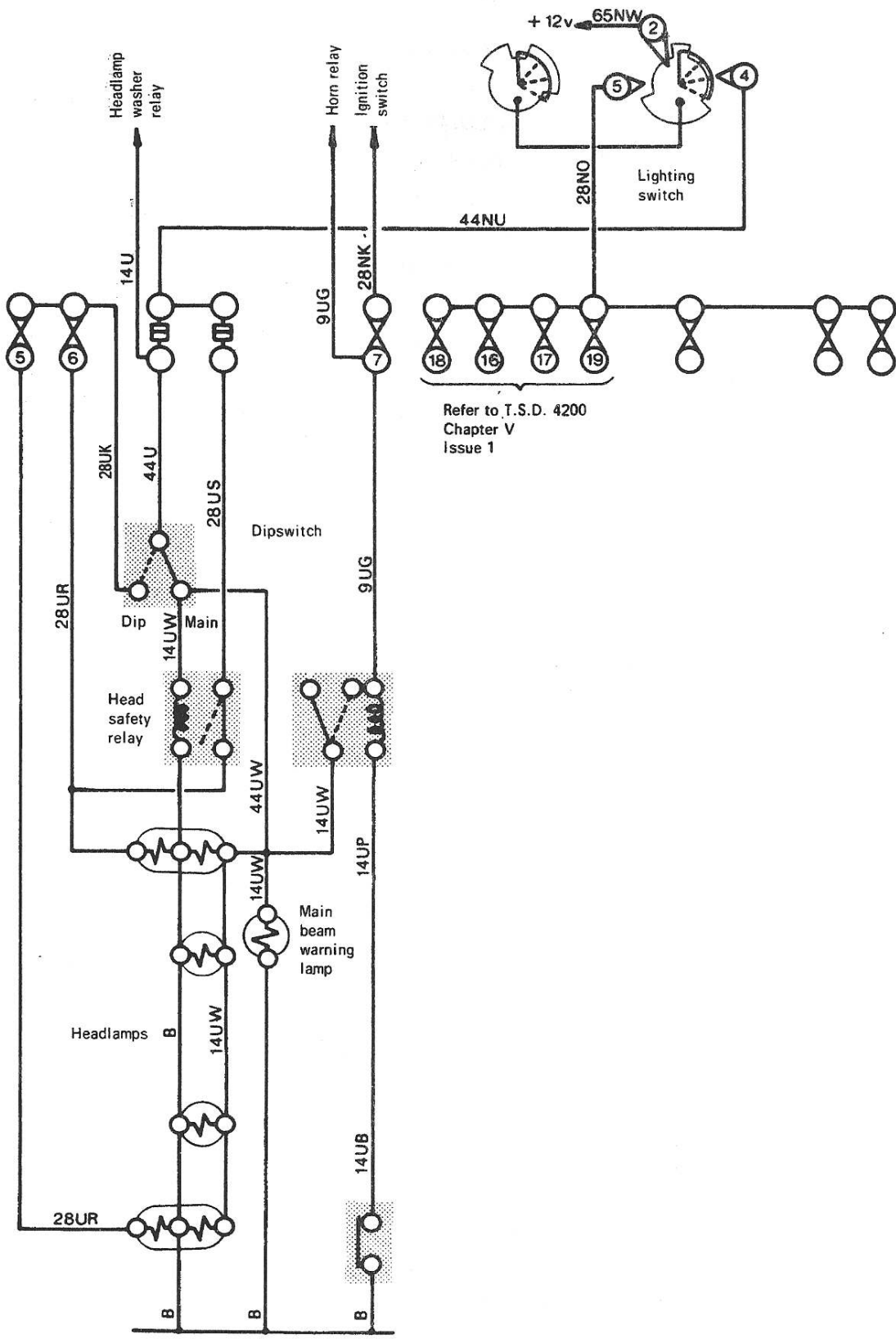
Supplement number 1

Sheet 4

Applicable to left-hand drive cars
for Canada and U.S.A. from
car serial numbers

Silver Shadow II	-	SRX 34573
Silver Wraith II	-	LRG 34601
Bentley T2	-	SBH 34775
Corniche Saloon	-	CRH 34830
Corniche Convertible	-	DRX 33029

Headlamps



Refer to T.S.D. 4200
Chapter V
Issue 1